

Pro Patch™

Optical Normal Through Panel



Module Front



Module Rear



Chassis Open

ADC's Optical Normal Through Panel is the latest addition to its Pro Patch line of broadcast patching products. This fiber panel is designed to provide patch by exception, normal through functionality, similar to copper-based patch panels. Traditional fiber patch panels require a fiber jumper to be in place at all times. With this newly designed panel, however, all fiber "Source" and "Destination" connections are on the rear of the panel, with a normal through connection between the "Source" and "Destination" ports. For greater convenience and reliability, patch and monitoring capabilities are accessed on the front of the panel.

Features

Two density options:

- The 3RU chassis houses 6 modules to provide 24 fiber terminations (12 pairs) using simplex connectors (SC, FC, ST).
- The 4RU chassis houses 6 modules to provide 48 fiber terminations (24 pairs) using small-form-factor connectors (LC).

Functionality:

- Each module contains pairs of "Source" and "Destination" fibers plus optional monitor ports and a switch for emergency patching.
- Accommodates 1310 and 1550 singlemode wavelengths (switch wavelength range is 1290-1330 and 1525-1610).
- Connector ports on front and rear may be SC, FC, ST or LC.
- IL through module is approximately 0.5 dB (final specifications TBD).
- Module port is configurable to 90/10, 95/5 or 99/1 split ratios.

Module specifications:

- Modules may be added to the chassis as needed.
- "Source" and "Destination" terminations may be made by either splicing raw cable to pigtails attached to the modules or by routing connectorized patch cords to the back of the modules.
- Manual switch on front of module to change to "Patched" operation.
- LED indicators for "Normal" and "Patched" operations.
- Modules are available with or without monitor ports on the front.

Chassis specification:

- 19" EIA flush mounting
- Hot swappable power supply to power switches inside modules
- 110/220 IEC interface

SPEC SHEET



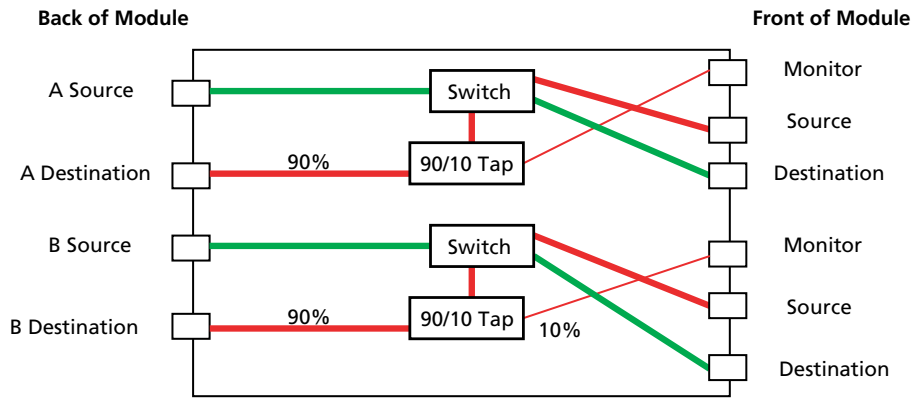
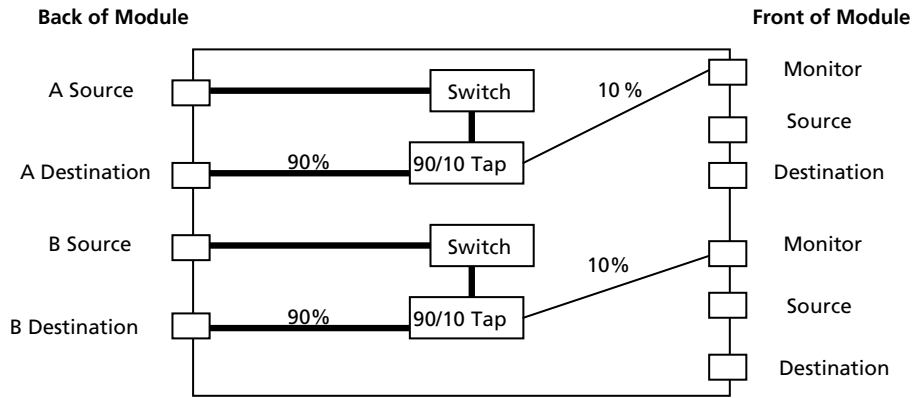
www.adc.com • +1-952-938-8080 • 1-800-366-3891



Pro Patch™ Optical Normal Through Panel

Module Schematics

The new Pro Patch Optical Normal Through Panel provides patch by exception, normal through functionality. Fiber "Source" and "Destination" connections are located on the rear of the panel, with a normal through connection between the "Source" and "Destination" ports. To enable patching functionality, a fiber patch cord is plugged into the front of the panel and a switch is flipped.



These are preliminary specifications.

Call an ADC distributor for more details. To find a distributor near you visit adc.com/partners.

Ordering Information

Description	Catalog Number
Empty chassis with power supply	
3 RU chassis with power supply and IEC cord, patch cord storage in rear	PPO-3RU-P
3 RU chassis with power supply and IEC cord, splice tray area in rear	PPO-3RU-S
4 RU chassis with power supply and IEC cord, patch cord storage in rear	PPO-4RU-P
4 RU chassis with power supply and IEC cord, splice tray area in rear	PPO-4RU-S
Power supply	
Replacement power supply with IEC cord	PPO-PWR

9/06 • 103447AE Pro Patch™ Optical Normal Through Panel

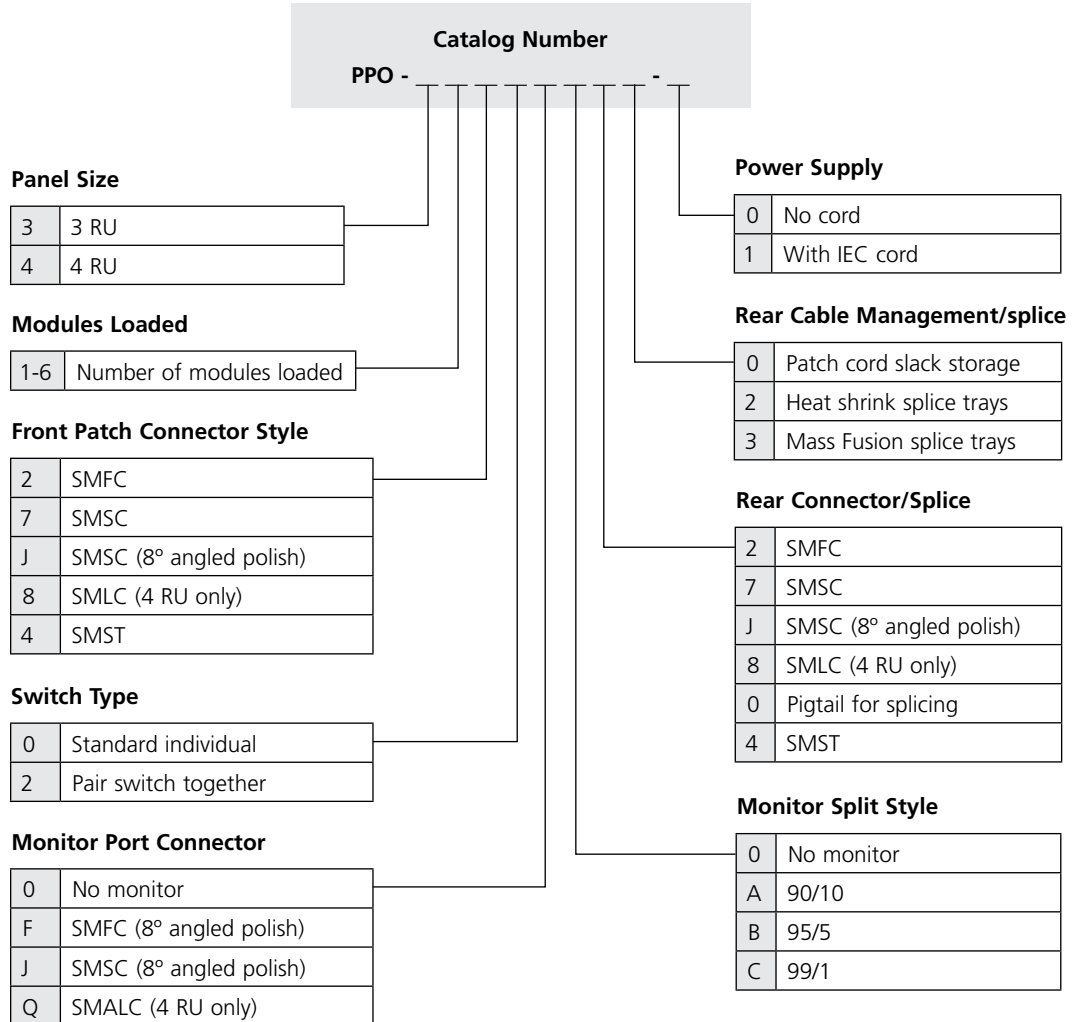


Pro Patch™ Optical Normal Through Panel

Pro Patch™ Preconfigured Panels

The information below explains the ordering numbers contained in the charts on this page.

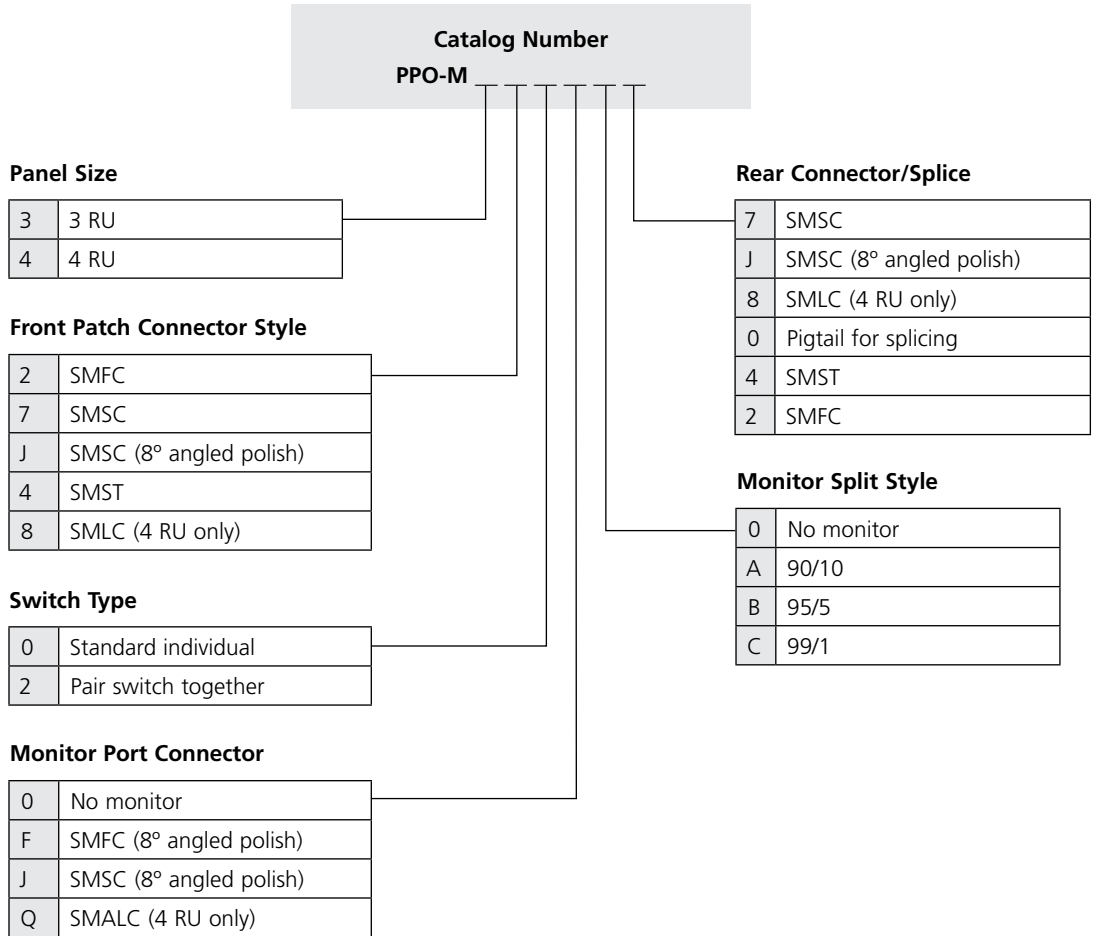
Pro Patch™ Optical Normal Through Panel
9/06 • 103447AE



Custom configurations are available. Please contact ADC Technical Assistance Center.

Pro Patch™ Modules

The information below explains the ordering numbers contained in the charts on this page.



Custom configurations are available. Please contact ADC Technical Assistance Center.

SPEC SHEET



Web Site: www.adc.com

From North America, Call Toll Free: 1-800-366-3891 • Outside of North America: +1-952-938-8080

Fax: +1-952-917-3237 • For a listing of ADC's global sales office locations, please refer to our Web site.

ADC Telecommunications, Inc., P.O. Box 1101, Minneapolis, Minnesota USA 55440-1101

Specifications published here are current as of the date of publication of this document. Because we are continuously improving our products, ADC reserves the right to change specifications without prior notice. At any time, you may verify product specifications by contacting our headquarters office in Minneapolis. ADC Telecommunications, Inc. views its patent portfolio as an important corporate asset and vigorously enforces its patents. Products or features contained herein may be covered by one or more U.S. or foreign patents. An Equal Opportunity Employer

103447AE 9/06 Revision © 2006 ADC Telecommunications, Inc. All Rights Reserved

Free Manuals Download Website

<http://myh66.com>

<http://usermanuals.us>

<http://www.somanuals.com>

<http://www.4manuals.cc>

<http://www.manual-lib.com>

<http://www.404manual.com>

<http://www.luxmanual.com>

<http://aubethermostatmanual.com>

Golf course search by state

<http://golfingnear.com>

Email search by domain

<http://emailbydomain.com>

Auto manuals search

<http://auto.somanuals.com>

TV manuals search

<http://tv.somanuals.com>