

Table of Contents

Precautions	2
Package contents	3
Installation instructions.....	3
Assembling the Monitor.....	3
Repackage the Monitor	4
Adjusting the Viewing Angle.....	4
Connecting the Devices.....	5
Switching the Power	5
Adjusting display settings.....	6
External Controls	6
OSD options	7
OSD Menu	7
Troubleshooting	9
General specifications	10

Recycling Information

Any question about recycling monitors, please contact Acer agents.

For more information about Acer, please visit

<http://www.acer.com>

Precautions



- The monitor may be damaged if placed too near a source of heat. Be aware of the location of radiators, cookers, open fires etc.
- Do not cover the slots and openings on the back or top of the cabinet as the monitor requires ventilation. The monitor should be located in a well-ventilated room to prevent the possibility of overheating.
- Do not allow sharp objects such as knives, pens, or pencils near the screen. If such objects touch the screen, the LCD panel will be permanently scratched.
- When cleaning this monitor, disconnect it from the electric socket to avoid any danger of electrocution. A soft, lint-free cloth should be used to clean the outside of the monitor. A cloth very slightly moistened with a mild detergent solution will clean stubborn stains. Keep liquids away from the display screen, including sprays. Do not spray liquid directly - it is best to lightly spray on to a cloth and wipe. If liquid gets inside the monitor it can cause electrical shock and/or damage to the unit.
- If you encounter a problem, please check the "Troubleshooting" section first. If this does not resolve the problem do not attempt to repair the monitor by yourself; opening or removing covers can lead to injury or death through electrocution among other hazards. Please contact a qualified engineer if you find the troubleshooting section does not help.

SPECIAL NOTES ON LCD MONITOR

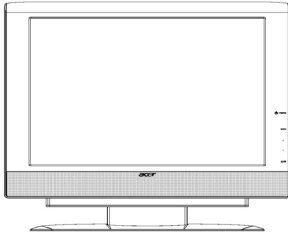
The following symptoms are normal with LCD monitor and do not indicate a problem.

NOTES

- Due to the nature of the fluorescent light, the screen may flicker during initial use. Turn off the Power Switch and then turn it on again to make sure the flicker disappears.
- You may find slightly uneven brightness on the screen depending on the desktop pattern you use.
- The LCD screen has effective pixels of 99.99% or more. It may include blemishes of 0.01% or less such as a missing pixel or a pixel lit all of the time.
- Due to the nature of the LCD screen, an afterimage of the previous screen may remain after switching the image, when the same image is displayed for hours. In this case, the screen is recovered slowly by changing the image or turning off the Power Switch for hours.

Package contents

LCD Monitor



Power Cord



Audio Cable



VGA Cable



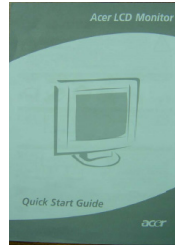
AC/DC Adapter



User Manual (CD)

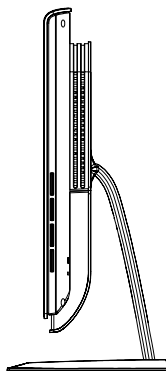


Quick Start Guide

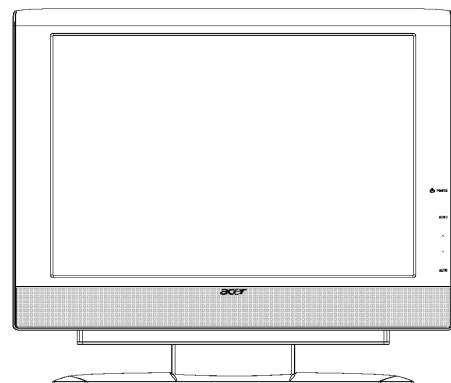


Installation instructions

Assembling the Monitor



1. Put the base of monitor on the desk carefully.



2. Put the monitor on flat table or plate.

Repackage the Monitor

Save the original box and packing material in case you have to ship or transport the monitor.

Repackage the monitor:

1. Unplug the power cord to make sure the power is off.
2. Put the monitor into carton carefully.



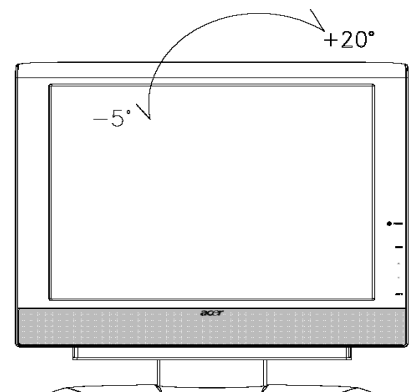
Important

To find a clean and flat surface table place the monitor .

To select clean and dry clothes put under the monitor for avoiding scratches.

Adjusting the Viewing Angle

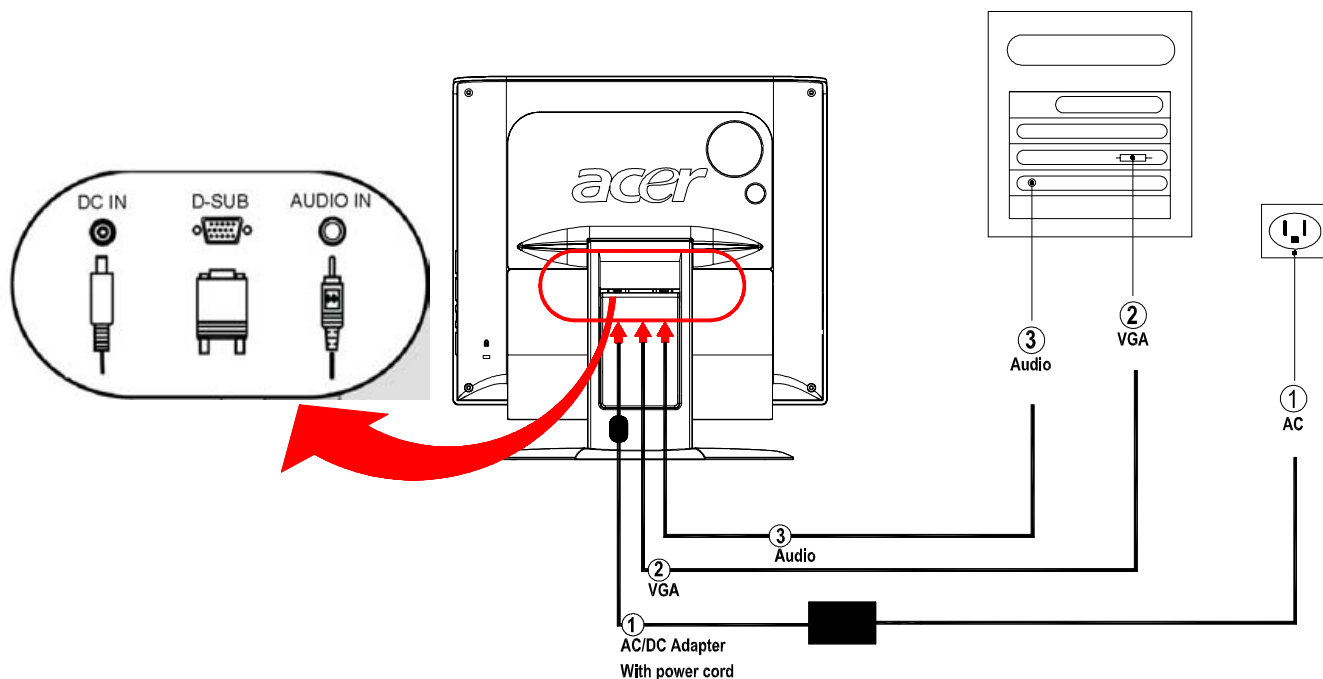
The viewing angle of the monitor ranges from $-5^{\circ}\sim 20^{\circ}$.



Connecting the Devices



Caution: Make sure that the computer and the monitor are both disconnected from the power supply.



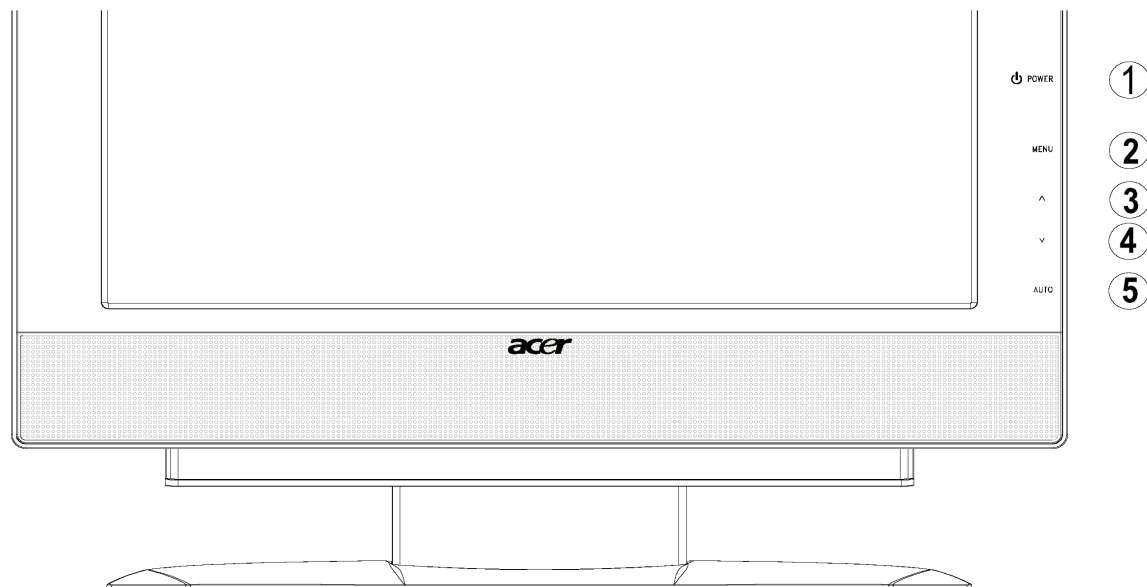
①	AC/DC Adapter With power cord	Connect the plug of the AC/DC adapter to the (DC IN) socket of the monitor , then be insert the power cord into the adapter and a properly grounded electric socket.
②	VGA Cable	Connect the signal cable to the VGA input socket (VGA IN) of the monitor , and connect the signal cable to the VGA output socket of the graphics card on the computer. Then tighten the thumbscrews on the connector.
③	Audio Cable	Connect the audio input socket (AUDIO IN) of the LCD monitor and the computer by means of the audio cable.



WARNING: The D-Sub 15 pin plug of the VGA cable is trapezoid in shape. Make sure the shape of the plug matches the shape of the socket it is inserted into, and that none of the pins are bent or otherwise damaged.

Switching the Power

First, switch the power on to the monitor, then switch the power on to the computer. When you see the LED on the power button go blue, this indicates the computer is ready for use. Allow about 10 seconds for the video signal to appear. If you do not see the blue light LED on the power button or a video signal, check the connections.



Adjusting display settings

External Controls

①		POWER	Power on/off Blue: power on Orange: in sleep mode
②	MENU	OSD Function	Press to view OSD. Press again to enter a selection in OSD.
③		UP/ PLUS	If OSD is active, press to select or adjust OSD options. If OSD is inactive, press once, then press the buttons marked or to adjust the volume.
④		DOWN / MINUS	If OSD is active, press to select or adjust OSD options. If OSD is inactive, press once, then press the buttons marked or to adjust the volume.
⑤	AUTO	AUTO	If OSD is active, press to exit a selection in OSD. If OSD is inactive, press and the monitor will automatically optimize the position, focus and clock of your display.

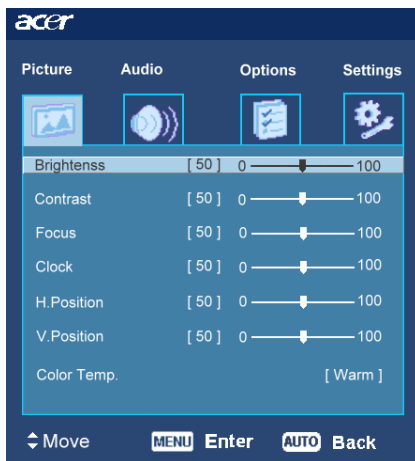
OSD options

Please refer to "External Controls" on Page 6.

To adjust the OSD settings:

1. Press the **MENU** button to open the OSD main menu.
2. Use the buttons marked \wedge or \vee , to select the menu option you want.
3. Press **MENU** button to highlight a control, and then press \wedge or \vee to adjust the option setting.
4. Press the **AUTO** button to return to the previous menu option or exit the OSD.

OSD Menu



Picture

Brightness:

This adjusts the brightness of the picture on the screen.

Contrast:

This adjusts dark and light shades of color relative to each other to achieve a comfortable contrast.

Focus:

This removes any horizontal distortion and makes the picture clear and sharp.

Clock:

If there are any vertical stripes seen on the background of the screen this renders them less noticeable by minimizing their size. It also changes the size of the horizontal screen.

H-Position:

This adjusts the horizontal screen position.

V-Position:

This adjusts the vertical screen position.

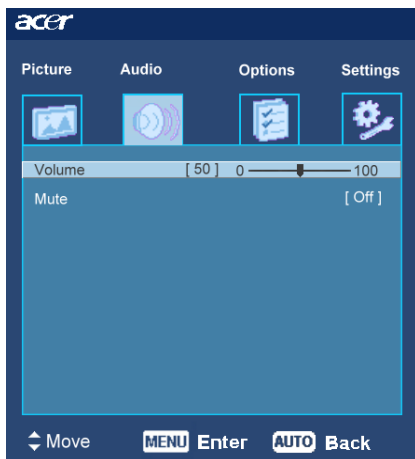
Color temp. :

There are three ways of adjusting color:

Warm (Reddish white)

Cool (Bluish white)

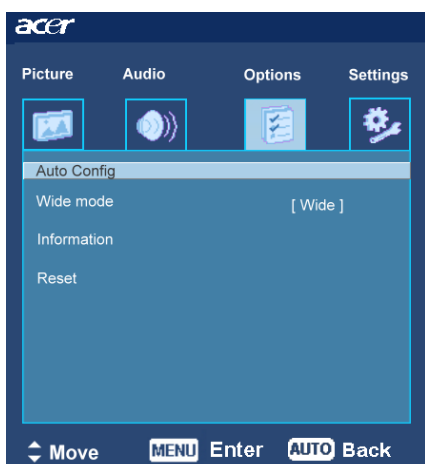
User : You can adjust the colors red, green and blue to the intensity you desire.



Audio

Volume: Adjusts the volume.

Mute : on /off



Options

Auto Config. :

System runs auto-configuration.

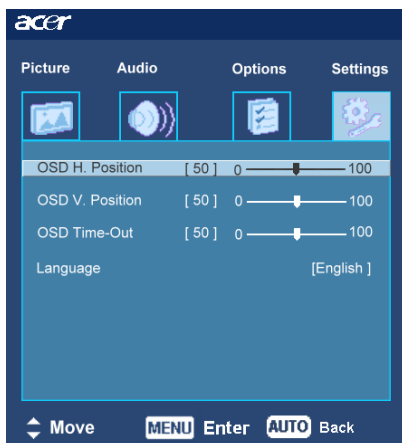
Wide mode : Wide / Normal

Information:

This shows brief information on the screen.

Reset:

Recall to default settings.



Settings

OSD H. Position

OSD V. Position

OSD Time-out

This changes the position of the OSD window on the screen and staying time.

Language:

Select the OSD menu language from

English, French, German, Italian, Spanish, Simplified Chinese, Traditional Chinese, Japanese and Russian.

Troubleshooting

Problems	Possible Solutions
Power LED is not ON	<ul style="list-style-type: none"> • Check to see if the power switch is in the ON position. • Ensure that the Power Cord is connected.
No Picture	<ul style="list-style-type: none"> • Check to see if the power switch is in the ON position. • Ensure that the Power Cord is connected. • Ensure the video cable is securely connected to the back of the monitor and the computer. • Move the mouse or press any key on the keyboard to bring the monitor out of "active off" mode.
Picture shows inappropriate colors	<ul style="list-style-type: none"> • See " Color temp. " to adjust RGB color or to select color temperature.
Picture bounces or a wave pattern is present in the picture	<ul style="list-style-type: none"> • Move or switch off electrical devices that may be causing interference. • Inspect the monitor's video cable and ensure that none of the pins are bent.
Image is not sized or centered properly	<ul style="list-style-type: none"> • Press Auto key and the monitor will automatically optimize the position of your display. • See "Position adjustment".



Caution: Do not attempt to service the monitor yourself or open the computer yourself. Please refer all servicing to qualified service personnel if the problems cannot be solved in "Troubleshooting" section.

General specifications

Item	Specification
LCD Panel	
Display	20.1-inch Flat panel active-matrix TFT LCD
Max resolution	WSXGA+ 1680×1050 pixels
Pixel Pitch	0.258 mm
Color	16.7M
Brightness	300 cd/m ² (Typical)
Contrast Ratio	600:1 (Typical)
Response Time	16ms (Typical)
View Angle of Horizontal	89° / 89°(Typical)
View Angle of Vertical	89° / 89°(Typical)
External Controls	
Power Button	ON/ OFF
Control Buttons	MENU / ^ / v / AUTO
OSD Function	
Picture	Contrast / Brightness /Focus / Clock / H-Position /V-Position /Color Temp.
Audio	Volume /Mute
Options	Auto config. /Wide mode / Information / Reset
Settings	OSD H-Position / OSD V-Position / OSD time-out / Language
Video Interface	
Video	Analog 0.7V
Sync	TTL (+/ -)
Audio	5W x 2
Plug & Play	DDC2B
Power	
Power Source	100~240V AC, 50/60 Hz
Power consumption during normal operation	65W, approx.
Power consumption during active off operation	< 3W
Dimension and Weight	
Dimension (W×H×D)	510.3X443.9X206.6 mm (with stand)
Weight (Net/ Gross)	6.8 / 9.1 kg

Free Manuals Download Website

<http://myh66.com>

<http://usermanuals.us>

<http://www.somanuals.com>

<http://www.4manuals.cc>

<http://www.manual-lib.com>

<http://www.404manual.com>

<http://www.luxmanual.com>

<http://aubethermostatmanual.com>

Golf course search by state

<http://golfingnear.com>

Email search by domain

<http://emailbydomain.com>

Auto manuals search

<http://auto.somanuals.com>

TV manuals search

<http://tv.somanuals.com>