

9640UB UPGRADE

Installation of CAN Adapter Board

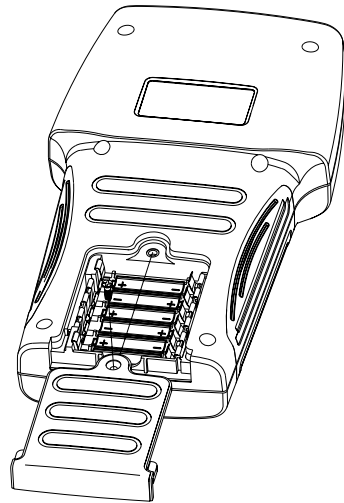
IMPORTANT READ AND UNDERSTAND BEFORE INSTALLING. IF THERE ARE ANY QUESTIONS CALL 1-800-228-7667

STEP 1

Disconnect Scan Tool and cables from vehicle.

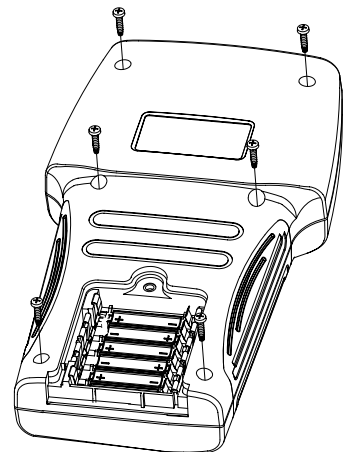
STEP 2

Remove 1 phillips screw and 6 AAA batteries.



STEP 3

Remove 6 phillips screws from back cover using a #1 screwdriver.



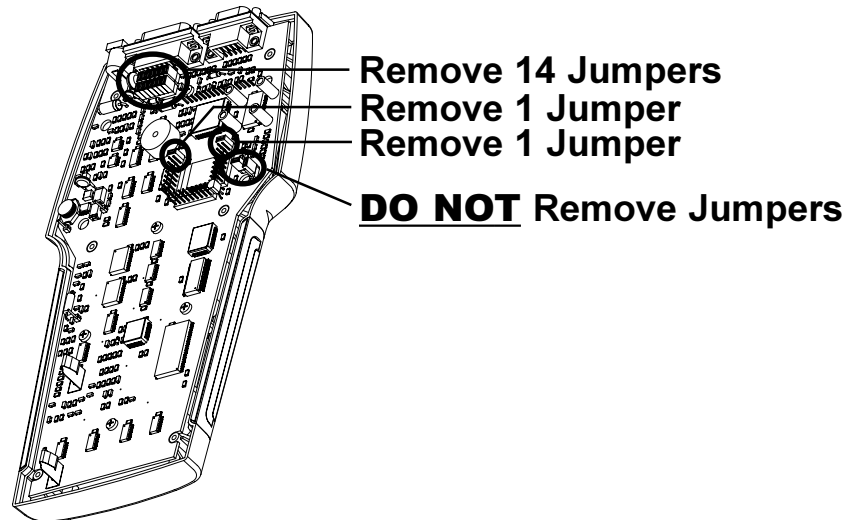
IMPORTANT Small needle nose pliers (not included) may be helpful to remove jumpers.

When removing jumpers metal contacts could fall out causing a short.

CAUTION When working with circuit boards make sure to avoid touching internal components.

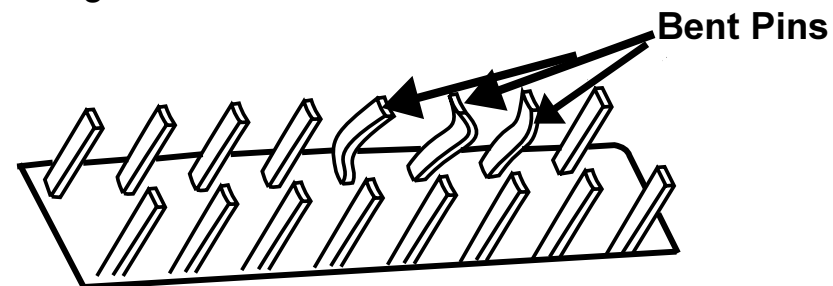
STEP 4

Remove jumpers from circuit board inside Scan Tool.



STEP 5

Inspect connector pins on circuit board making sure pins are straight and not bent.



CAUTION Before installing CAN adapter board straighten any bent connector pins.

STEP 6

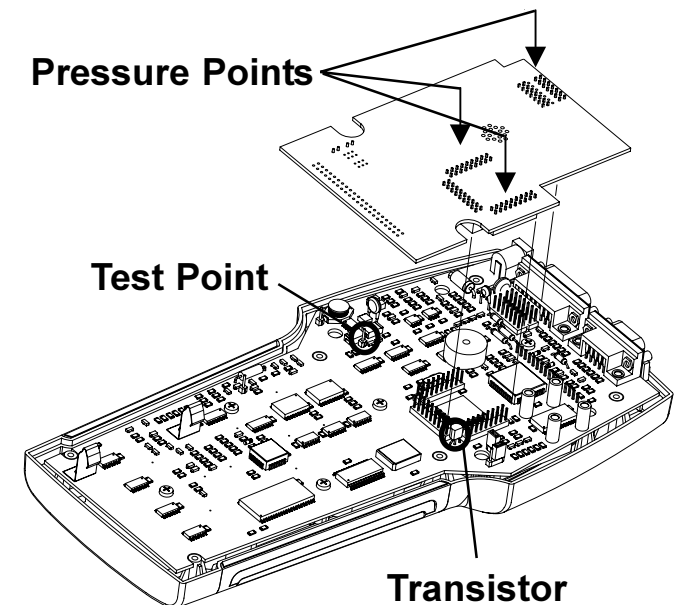
Remove CAN adapter board from anti-static bag making sure to handle adapter board by the edges.

CAUTION Make sure not to bend pins.
Make sure no jumpers or components on circuit board are touching adapter board or are loose that could cause a short.

IMPORTANT If required bend test point and transistor so that they do not touch adapter board due to the chances of a short. Make sure not to break leads on components.

STEP 7

Place CAN adapter board on Scan Tool circuit board pins. **DO NOT** push adapter board down. Check that all pins are aligned with connectors on adapter board. Then gently and evenly push CAN adapter board at the pressure points indicated onto Scan Tool circuit board until completely down.



STEP 8

Replace back cover, batteries and battery cover in reverse order they were removed. Install software as shown on other side of page.

CAUTION Do not overtighten phillips screws.

Installation of 9640UB Software

IMPORTANT

Install the CAN Adapter Board before installing software

After 9640UB CAN Adapter Board installation, 9640UB software must be installed for tool to work correctly.

STEP 1

Remove software serial number and place on CD in space provided.

STEP 2

Register Software by calling 1-800-228-7667 and receive an authorization number.

Scan Tool Serial Number: _____

Software Serial Number: _____

Authorization Number: _____

IMPORTANT

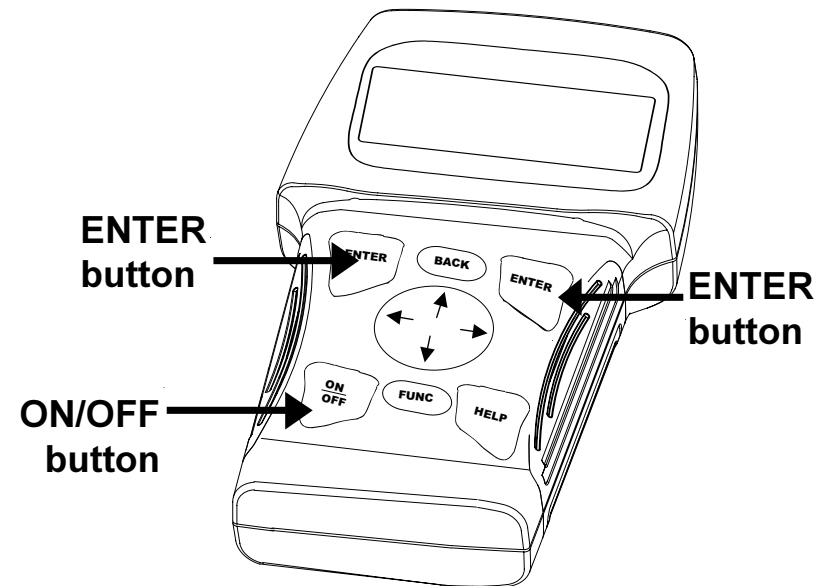
A computer is not required for an authorization number but a computer, scan tool serial number and software serial number are required to update Scan Tool software.

STEP 3

Connect serial cable from serial port on computer to Scan Tool.

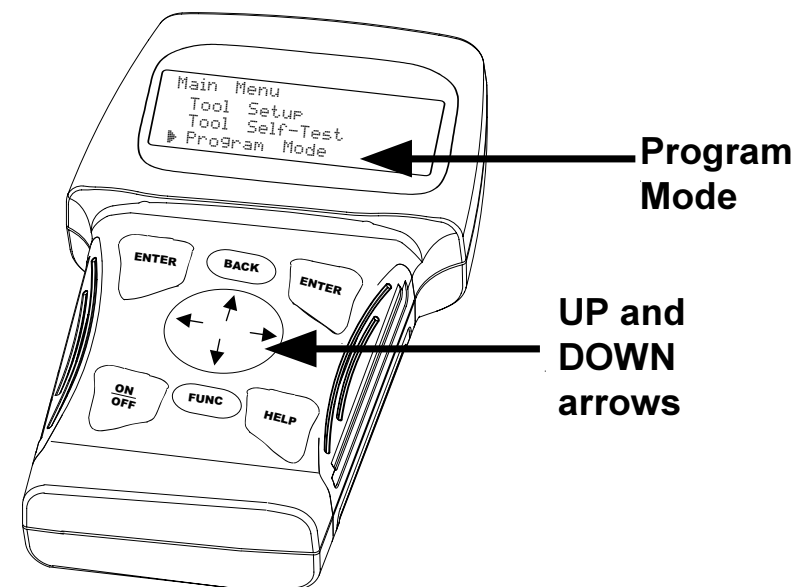
STEP 4

Press **ON/OFF** button on Scan Tool then press **ENTER** when told.



STEP 5

Place scan tool in Program Mode using the **↑** and **↓** arrows and pressing **ENTER**.

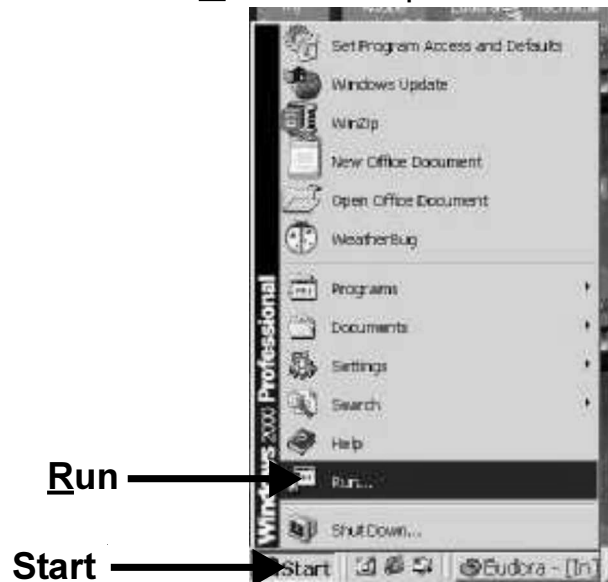


STEP 6

Close all programs on computer and place CD in drive.

STEP 7

Click **Start** then **Run** on computer.

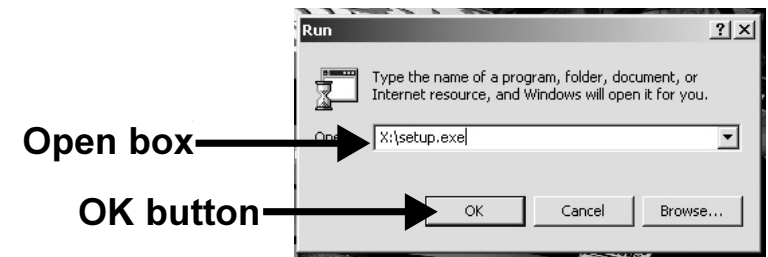


STEP 8

Type "X:\setup.exe" in open box on computer and press **OK**.

IMPORTANT

X is the CD-ROM drive letter on your computer.



STEP 9

Follow screen prompts on computer to complete software download.

IMPORTANT

If downloading process stops, repeat **STEP 5** through **STEP 9**.

Free Manuals Download Website

<http://myh66.com>

<http://usermanuals.us>

<http://www.somanuals.com>

<http://www.4manuals.cc>

<http://www.manual-lib.com>

<http://www.404manual.com>

<http://www.luxmanual.com>

<http://aubethermostatmanual.com>

Golf course search by state

<http://golfingnear.com>

Email search by domain

<http://emailbydomain.com>

Auto manuals search

<http://auto.somanuals.com>

TV manuals search

<http://tv.somanuals.com>