

# ADAMS *SPEEDFLAME*<sup>®</sup> Power Gas Burner



**Capacities to 850,000 BTU**

## **Special Features**

- **4" Diameter Blast Tube**
- **Spark Ignition-No Pilot**
- **Fits the Smallest Enclosures**
- **Fires in to Small Combustion Chambers with Increased Efficiency**
- **Easily Accessible Air and Firing Rate Adjustment**
- **Field Proven Centrifugal Switch to Ensure Blower Operation**
- **High Static Pressure Capabilities Assures Firing Even Under Adverse Conditions**
- **Completely Factory Wired for Ease of Installation**
- **External Connection for Thermostat or Controller**



*The Burner For Every Installation*

**REDUNDANT GAS VALVE**  
Provides back-up valve for added safety.

**ELECTRONIC PRIMARY CONTROL**

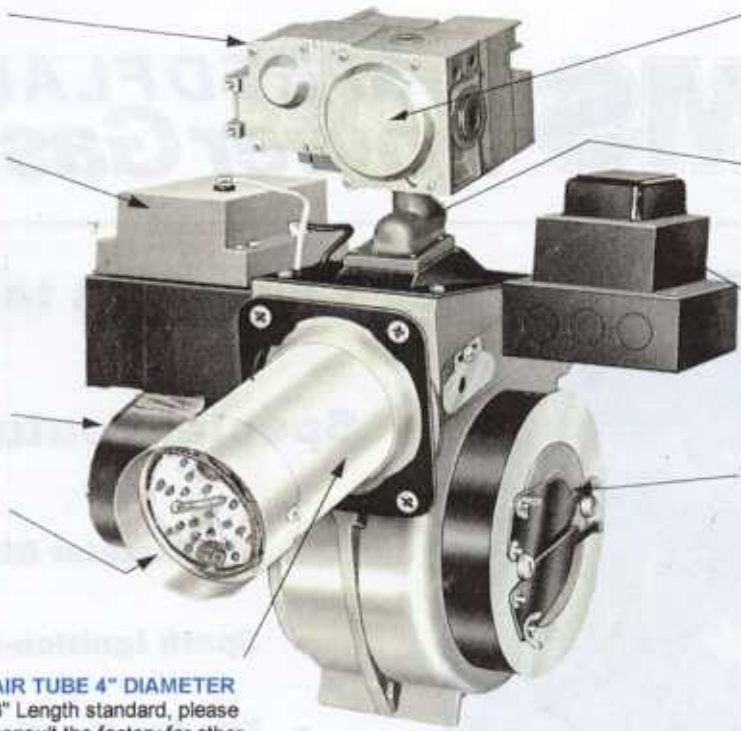
Meets the most stringent flame supervision specifications. Flame proving within four (4) seconds; supervises all ignition functions including .8 of a second relight capability; senses flame by rectification, providing positive flame monitoring.

**PRESSURE SWITCH**

Field-proven motor switch ensures blower operation.

**FLAME RETENTION HEAD**

Adams time-proven, precision head positively locks the flame on the burner head to optimize efficient burner performance



**AIR TUBE 4" DIAMETER**  
8" Length standard, please consult the factory for other lengths.

**MANIFOLD PRESSURE REGULATION**  
C.S.A. Design Certified for operation at 3.5" W.C. for Natural and L.P. gases.

**EXTERNAL ORIFICE CHANGE**  
Adams special orifice in the manifold union permits orifice change without disassembling the burner.

**HIGH VOLTAGE IGNITION TRANSFORMER**  
Provides the most dependable direct spark ignition system available.

**POSITIVE-LOCK AIR CONTROL**  
Dual shutter and numerical scale for precise air inlet adjustment.

**PATENTED VACUUM MIXING METHOD**  
Adams innovative vacuum mix of air and fuel gives you the ultimate in combustion performance.

**Specifications – Model G2T**

**4" Blast Tube**

Capacity 50M to 850MBtu/Hr

**Natural Gas**

Model	Capacity M/BTU		Combination Gas Valve	Ignition	Motor HP
	Max	Min			
G2T-300	300	50	½" 2000DERHC	Direct Spark	1/7*
G2T-600	600	50	¾" VR8304M	Direct Spark	1/7
G2T-850	850	200	1" 7000ERHC	Direct Spark	1/7

**L.P. Gas**

G2T-400LP	400	50	½" 2000DERHCLP	Direct Spark	1/7*
G2T-850LP	850	200	¾" VR8304MLP	Direct Spark	1/7

\*Air Spoiler Installed

Dimensions: Height 17" – Width 13" – Depth (Chassis only) 8"

**ADAMS**  
Manufacturing Company

9790 Midwest Avenue • Cleveland, Ohio 44125  
Telephone (216) 587-6801  
FAX (216) 587-6807

Form G2

E-Mail: adamsx@att.net

## Free Manuals Download Website

<http://myh66.com>

<http://usermanuals.us>

<http://www.somanuals.com>

<http://www.4manuals.cc>

<http://www.manual-lib.com>

<http://www.404manual.com>

<http://www.luxmanual.com>

<http://aubethermostatmanual.com>

Golf course search by state

<http://golfingnear.com>

Email search by domain

<http://emailbydomain.com>

Auto manuals search

<http://auto.somanuals.com>

TV manuals search

<http://tv.somanuals.com>