



AMD Geode™ GX Processor/ CS5535 Companion Device GeodeROM Porting Guide

April 2006

Publication ID: 32430C

© 2006 Advanced Micro Devices, Inc. All rights reserved.

The contents of this document are provided in connection with Advanced Micro Devices, Inc. ("AMD") products. AMD makes no representations or warranties with respect to the accuracy or completeness of the contents of this publication and reserves the right to make changes to specifications and product descriptions at any time without notice. No license, whether express, implied, arising by estoppel or otherwise, to any intellectual property rights is granted by this publication. Except as set forth in AMD's Standard Terms and Conditions of Sale, AMD assumes no liability whatsoever, and disclaims any express or implied warranty, relating to its products including, but not limited to, the implied warranty of merchantability, fitness for a particular purpose, or infringement of any intellectual property right.

AMD's products are not designed, intended, authorized or warranted for use as components in systems intended for surgical implant into the body, or in other applications intended to support or sustain life, or in any other application in which the failure of AMD's product could create a situation where personal injury, death, or severe property or environmental damage may occur. AMD reserves the right to discontinue or make changes to its products at any time without notice.

Trademarks

AMD, the AMD Arrow logo, and combinations thereof, and Geode, GeodeLink, Virtual System Architecture, and XpressGRAPHICS are trademarks of Advanced Micro Devices, Inc.

Windows is a registered trademark of Microsoft Corporation in the United States and/or other jurisdictions.

Other product names used in this publication are for identification purposes only and may be trademarks of their respective companies.

Contents

List of Figures	5
List of Tables	7
1.0 Overview	9
1.1 Introduction	9
1.2 Assumption	9
2.0 Model Specific Registers	11
2.1 Example MSR Transaction	11
3.0 GeodeLink™ Architecture	13
3.1 GeodeLink™ MSR Addressing	14
3.2 Descriptors	14
4.0 Initialization	15
4.1 Processor Initialization	15
4.2 AMD Geode™ CS5535 Companion Device Initialization	20
4.3 Virtual System Architecture™ Initialization	24
4.4 PCI Bus Initialization	24
4.5 Miscellaneous Initializations	25
5.0 Implementation	27
5.1 Implementation	27
6.0 Setup Options	29
7.0 Memory Map	31
Appendix A Support Documentation	35
A.1 Document Revision History	35

List of Figures

Figure 3-1.	GeodeLink™ Architecture Topology	13
Figure 4-1.	Clock Control	15
Figure 7-1.	GLIU Descriptor Map	31
Figure 7-2.	CPU Core Cache Descriptors	31
Figure 7-3.	CPU Core Cache Region Configurations	32
Figure 7-4.	GeodeROM Flow - GX Processor/CS5535 Device	33

List of Tables

Table 4-1.	Default Region Configuration Properties Bit Descriptions	18
Table 4-2.	Diverse Device I/O Locations	23

1 Overview

1.1 Introduction

This document describes the changes needed for GeodeROM and other BIOSs to support the AMD Geode™ GX processor and the AMD Geode™ CS5535 companion device. GeodeROM requires modifications for hardware initialization and specific implementations.

Each section targets the GeodeROM changes needed to support the GX processor/CS5535 device system. Where appropriate, the changes list the “Entry Conditions” that briefly describe the machine state required to execute that function, as well as some pseudo code for implementing the changes.

For more information on GeodeROM, see the *AMD Geode™ GeodeROM Functional Specification* (publication ID 32087).

1.2 Assumption

The following assumption must be made clear during the design phase:

GeodeROM expects all memory has a serial presence detect (SPD) to determine characteristics for memory controller initialization. If a SPD is not present, GeodeROM outputs a POST code and halts, unless customizations have been made for the platform.

Model Specific Registers

2

There are two ways to read or write Model Specific Registers (MSRs) in a Geode™ GX processor system. Software running on the processor can use the RDMSR and WRMSR instructions, and modules within the processor can use the GeodeLink™ MSR transactions. The second method allows debug modules, such as the System Navigator from FS² (First Silicon Solutions), to program MSRs.

All MSRs are 64 bits wide. The MSR addresses are 32 bits, where each unique address refers to a 64-bit data quantity.

To communicate with modules on the GeodeLink interface, the address of that module must be known. Addresses are obtained by either scanning the GeodeLink interface or having prior knowledge of the chip topology. This is discussed in detail in Section 3.0 "GeodeLink™ Architecture" on page 13.

RDMSR:

Input

ECX - Address to read.

Output

EDX:EAX - 64 bits data returned.

WRMSR:

Input

ECX - Address to write.

EDX:EAX - 64 bits data written.

Output

None.

2.1 Example MSR Transaction

Read and write extended CPUID registers.

This example will change the CPUID.

RDMSR:

Load MSR specified by ECX into EDX:EAX.

WRMSR:

Write the value in EDX:EAX to MSR specified by ECX.

```
MSR_CPUID0 EQU 00003000h
MSR_CPUID1 EQU 00003001h

mov    ecx, MSR_CPUID0
RDMSR                                ; get values
mov    edx, 'cdeR'                    ; write edx:eax to MSR in ecx. No change to eax.
WRMSR

mov    ecx, MSR_CPUID1
RDMSR
mov    edx, 'duol'                    ; No change to eax
WRMSR
; Done
```


GeodeLink™ Architecture 3

GeodeLink™ architecture connects the internal modules of the AMD Geode™ GX processor using the data channels provided by GeodeLink Interface Units (GLIUs). GeodeLink modules are connected to GLIU ports 1 – 7 as shown in Figure 3-1. Port 0 is always the GLIU itself. GLIUs can be chained together and up to a maximum of six GLIUs can be connected allowing for 32 modules.

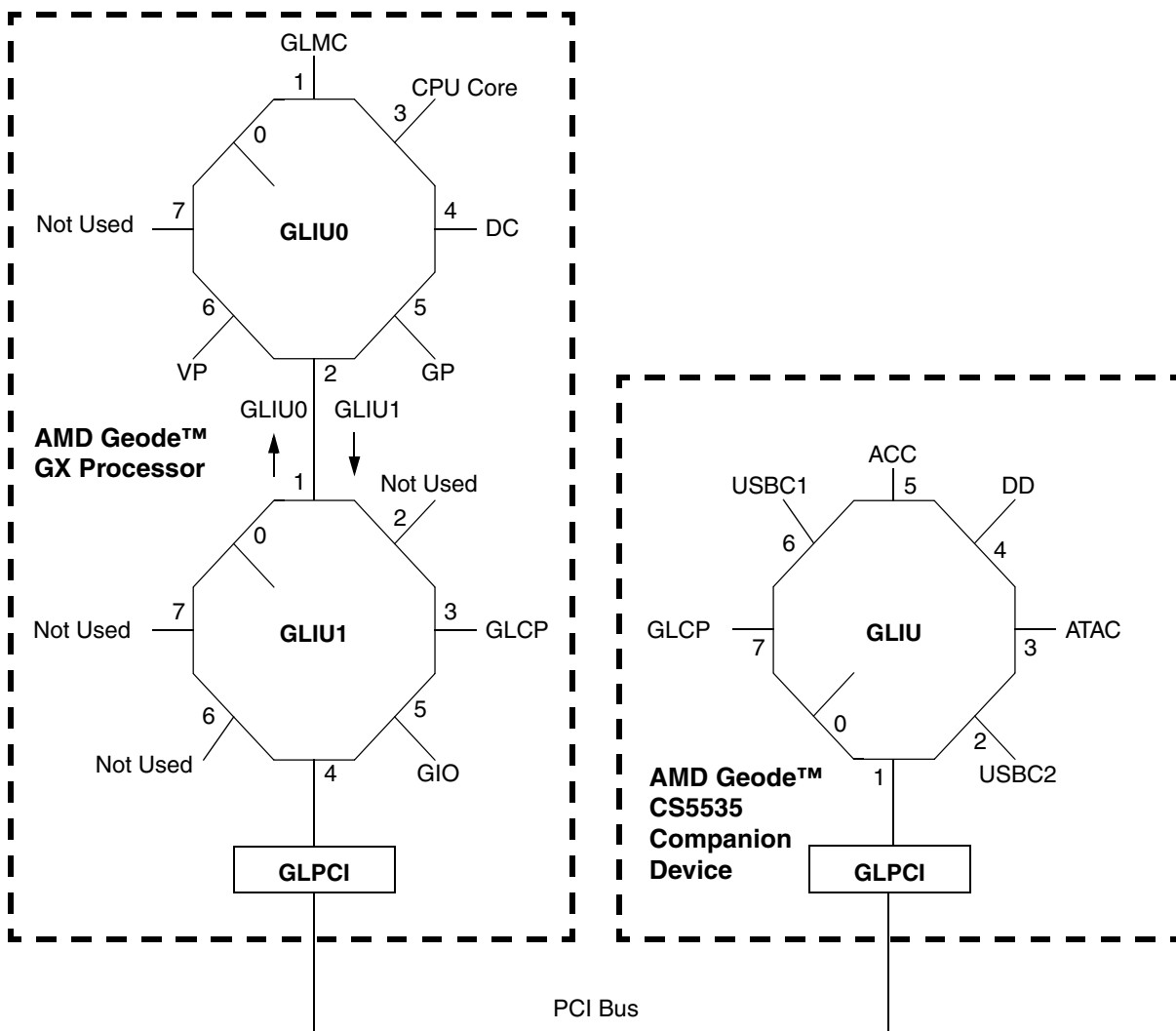


Figure 3-1. GeodeLink™ Architecture Topology

3.1 GeodeLink™ MSR Addressing

The GX processor's MSRs are addressed from the source module to the port of the target module. The topology of the GX processor must be understood to derive the address. An MSR address is parsed into two fields, the port address (18 bits) and the index (14 bits). The port address is further parsed into six 3-bit channel address fields. Each 3-bit field represents, from the perspective of the source module, the GLIU channels that are used to get to the destination module, starting from the closest GLIU to the source (left most 3-bit field), to the farthest GLIU (right most 3-bit field). When the GLIU gets the cycle, it reads the three MSBs of the address register, shifts those three bits of the 18 MSBs of the address register off, and passes the transaction to the port indicated by the next three bits.

MSR addresses that are outside the module address spaces are invalid; meaning RDMSR/WRMSR instructions attempting to use the address within the CPU core will cause a General Protection Fault. Unimplemented MSR accesses not in peripheral modules go to the bit bucket.

3.1.1 Addressing Example

GX Processor GeodeLink Modules/Addresses

Source: CPU Core -> Destination: GeodeLink Control Processor (GLCP)

2.3.0.0.0.0 -> 4C00xxxxh

CS5535 Companion Device GeodeLink Module/Addresses

Source: CPU Core -> Destination: SB_GLCP

2.4.2.7.0.0 -> 5170xxxxh

GLPCI acts like another GLIU

3.2 Descriptors

Descriptors are used to route memory or I/O resources through GLIUs to a GX processor module. Memory and I/O addresses that do not have descriptors are subtractively decoded through the GLIUs and out to the PCI. It is important that no descriptors overlap each other. The result is indeterminate.

3.2.1 Memory Descriptor Types

- Range - Covers a memory range in 4 KB granularity.
- Range Offset - Covers a memory range in 4 KB granularity with the destination address translated by an offset.
- Base Mask - Covers a memory range that is a power of 2 in size.
- Base Mask Offset - Covers a memory range that is a power of 2 in size with the destination address translated by an offset.
- Swiss Cheese - Covers a 256 KB region split into 16 KB pieces to a module or the subtractive port.

3.2.2 I/O Descriptor Types

- Base Mask - Covers an I/O range that is a power of 2 in size.
- Swiss Cheese - Covers an 8-byte region split into 1-byte pieces to a module or the subtractive port.

4 Initialization

4.1 Processor Initialization

The AMD Geode™ GX processor contains many of the components normally found in system support chipsets. GeodeROM must set up these components, including the DRAM controller, L1 cache controller, clock control, and PCI controller as well as some proprietary systems like GeodeLink™ architecture.

This chapter contains descriptions and some pseudo code for GX processor-specific code sequences in GeodeROM. The modifications are grouped into CPU core initialization, DRAM controller initialization, GeodeLink interface initialization, PCI bus initialization, and miscellaneous other initializations/changes.

4.1.1 Set Clocks and Reset

Register: GLCP_SYS_RSTPLL (GX GLCP MSR Address 4C000014h)

The GX processor has separate clocks for the CPU core and GeodeLink interface. These clocks are derived from the system PLL, which is driven by the PCI clock. At power-on, these clocks default to a safe value. Setting the clock registers and doing a reset will re-clock the GX processor.

The clocks are controlled by three divisors as shown in Figure 4-1. The Feed-back Divisor (FbDIV) in the PLL sets `spll_raw_clk`. `spll_raw_clk` is divided by the GeodeLink Divisor (MDIV) and the CPU Divisor (VDIV) to derive GeodeLink clock and CPU clock. `spll_raw_clk` must be between 300 MHz and 800 MHz. The GeodeLink clock is used to clock the memory. Therefore, the GeodeLink clock should never be greater than the speed and type of the system memory.

All the divisor bits, software bits, memory type bit, and reset bits are located in the GLCP_SYS_RSTPLL register. Once the divisors and memory type (DDR/SDR) are set, the BIOS sets a reset flag and resets the CPU to continue initialization at the desired CPU speed.

GeodeROM sets the clocks based on jumper settings that are interpreted to match SKUs defined for that version of the CPU. SKUs are defined by PCI speed, memory type (SDR or DDR), and the jumper setting. GeodeROM can also use FbDIV, MDIV, and VDIV values set by the user in CMOS for debugging.

If there is an incorrect setting in CMOS setup and the system cannot boot three times in a row, GeodeROM resets CMOS to the defaults.

See Figure 7-4 on page 33 for example reset and system clock logic.

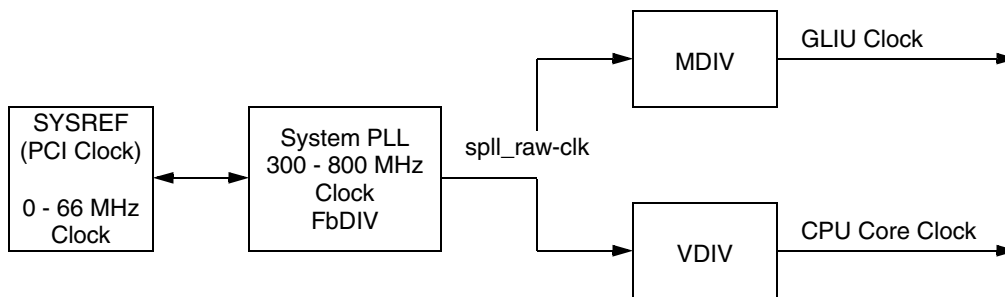


Figure 4-1. Clock Control

4.1.2 Calculating Processor Speed

Entry Conditions:

Stack and No-Stack versions required.

8254 timer available (port 61).

Procedure:

- Utilize the Real Time Stamp Counter (RTSC).
- Disable the L1 cache.
- Set up a channel of the 8254 Timer chip to count for a predetermined amount of time.
- Read the CPU RTSC and save the initial count value.
- Poll counter and wait for it to roll over.
- Read the CPU RTSC and save as the final count.
- Subtract the initial value of the RTSC from the final value.
- EDX:EAX now contains the number of clock ticks in the predetermined amount of time.

To get the value in MHz, divide the number of clocks by the time represented in microseconds (i.e., 5 ms = 5000).

4.1.2.1 CPU Identification

The CPUID check should be done as soon as possible. Use the CPUID instruction.

Check the Major and Minor Revision fields located in the GLCP_CHIP_REVID register (MSR Address 4C000017h[7:0]) for the silicon revision.

4.1.3 Memory Controller Initialization

Registers:

MC_CF07_DATA (MSR Address 2000018h)

MC_CF8F_DATA (MSR Address 2000019h)

MC_CFCLK_DEBUG (MSR Address 200001Dh)

The memory controller in the GX processor supports SDRAM and DDR memory. The memory controller and the RAM are programmed via settings read from the SPD. The SPD is required for detection of PC66, PC100, PC133 and DDR RAM.

In the case of a closed system, where the RAM is soldered to the motherboard and there is no SPD, memory settings can be stored in CMOS for initialization.

The SDRAM clock is set up prior to reset by the clock initialization.

- Address, bank, registered/unbuffered, and other values read from the SPD.
- Size memory in DIMM socket(s).
- Program Memory Controller.
- Set default refresh to an appropriate value.

4.1.3.1 Size Memory

Entry Conditions:

4 GB descriptor in FS Core register.

Procedure:

For each DIMM:

- Set the following in the MC_CF07_DATA register MSR Address 20000018h):
 - Module Banks per DIMM
 - SPD byte 5: Number of DIMM Banks
 - Banks per SDRAM device
 - SPD byte 17: Number of Banks on SDRAM device
 - DIMM size - Size = Density * Banks
 - SPD byte 5: Number of DIMM Banks
 - SPD byte 31: Module Bank Density
 - Page size - Page size = 2[#] Column Addresses
 - SPD byte 4: Number of Column Addresses
- Set CAS Latency in MC_CF8F_DATA register (MSR Address 20000019h):
 - SPD byte 18: CAS Latency
 - Turn on the memory interface in MC_CFCLK_DEBUG bit MASK_CKE[1:0] (MSR Address 2000001Dh[9:8]).
 - Do 12 refreshes (CF07_PROG_DRAM) for the Memory Controller to synchronize.
 - Set the refresh rate of the DIMM – SPD byte 12: Refresh Rate/Type.
 - Load RDSYNC counter with sync value.

Note: See the *AMD Geode™ GX Processors Data Book* (publication ID 31505) for bit descriptions and allocation.

4.1.4 Test Extended DRAM

Entry Conditions:

4 GB descriptor in FS Core register.

All memory configured.

Procedure:

- Set GLIU descriptor to allow writes to memory.
- Make sure interface is turned on in MC_CFCLK_DEBUG bit MASK_CKE[1:0] (MSR Address 2000001Dh[9:8]).
- Determine total amount of memory by doing a read/write test.
- For each 1 MB block of memory:
 - 1) Walk a 1 through data bus at first location of block.
 - 2) Walk a 0 through data bus at first location of block.
 - 3) Check for stuck address line in the block.
- Continue test if no memory present for debug purposes.

4.1.5 GeodeLink™ Modules Initialization

Descriptors routing memory and I/O for GX processor modules are initialized by GeodeROM and Virtual System Architecture™ (VSA) technology. GeodeLink modules that are virtualized by VSA technology and use PCI memory or PCI I/O, report that resource in the virtual PCI header. The GLIU is configured with MSRs like all GX processor modules.

4.1.5.1 GLIU Descriptors Initialization

Register:

P2D_BM, P2D_BMO, P2D_R, P2D_RO, P2D_SC (GLIU0 MSR Address 10000020h-1000003Fh, GLIU1 MSR Address 40000020h-1000003Fh)

IO_BM, IO_SC (GLIU0 MSR Address 100000E0h-100000FFh, GLIU1 MSR Address 400000E0h-400000FFh)

Set up system memory map with GeodeLink Descriptors and Region Control Registers (RConfs). Descriptors and RConfs must match each other. These register maps will look like the memory map from INT 15h AX = E820.

The responsibility of setting Descriptors and RConfs is split between GeodeROM and VSA technology. GeodeROM handles settings for system memory and VSA memory. Then the responsibility is handed off to VSA technology once it is loaded to handle all other memory and I/O routing. This is most notable in the frame buffer initialization. See Memory Map, Figure 7-2 on page 31 for a pictorial representation.

4.1.5.2 GLIU Priority Initialization

Each GeodeLink module has standard MSRs. GLD_MSR_CONFIG is one of the standard registers located at address 2001h in the GX processor and 0001h in the CS5535 companion device. Two fields in some of the GLD_MSR_CONFIG registers can affect the module priority: Priority Level (PRI0) and Priority Domain (PID). These values default to zero. In the case of data starvation or saturation on the GLIU, GeodeROM can adjust these values as recommended by AMD.

4.1.5.3 Cache Setup

The GX processor has a 16 KB instruction cache and a 16 KB data cache. The cache is enabled through register CR0 and both caches can be disabled through MSRs regardless of the CR0 state.

4.1.5.4 Region Configuration

Region Configuration MSRs are used to describe the caching properties of each memory region. Unlike descriptors, RConfs are designed to overlap. The Default Region Configuration Properties register (CPU Core MSR Address 00001808h) contains the base settings, and RConfs for the shadow area and other special regions supersede its setting.

Example Default Region Configuration Properties:

128 MB memory in the system 8 MB is used for frame buffer and 256 KB is used for VSA technology.

0x1808 = 0x25FFFC02 0x1077DF00

The Default Region Configuration Properties register, shown in Table 4-1, is the main register for GX processor cache settings.

Table 4-1. Default Region Configuration Properties Bit Descriptions

Bit	Name (Note)	Description
63:56	ROMRP	ROM Region Properties. Region properties for addresses greater than ROMBASE (bits [55:36]).
55:36	ROMBASE	ROM Base Address. Base address for boot ROM. This field represents A[32:12] of the memory address space, for 4 KB granularity.
35:28	DEV RP	SYSTOP to ROMBASE Region Properties. Region properties for addresses less than ROMBASE (bits 55:36) and addresses greater than or equal to SYSTOP (bits [27:8]).
27:8	SYSTOP	Top of System Memory. Top of system memory that is available for general processor use. The frame buffer and other private memory areas are located above SYSTOP.
7:0	SYS RP	System Memory Region Properties. Region properties for addresses less than SYSTOP (bits [27:8]). Note that Region Configuration 000A0000h-000FFFFFFh takes precedence over SYS RP.
Note: Region Properties: 7:6 = Reserved; 5 = Write Serialize; 4 = Write Combine; 3 = Write-through; 2 = Write Protect; 1 = Write Allocate; 0 = Cache Disable.		

Registers:

CR0

RCONF MSRs: CPU Core MSR Address 00001808h-00001817h

Instruction Memory Configuration Register: CPU Core MSR Address 00001700h

Data Memory Configuration Register: CPU Core MSR Address 00001800h

Entry Conditions:

None

Procedure:

IF <L1 cache requested>

Setup the Default Region Configuration Properties and any other RCONFs required.

Write Cache Disable and Not Write-Through bits (bits [30:29]) in the CR0 register.

WBINVD

ENDIF

Note: See Figure 7-2 on page 31 for a pictorial presentation.**GLPCI Regions**

The GLPCI has similar MSRs to the CPU Core Region Configuration registers for inbound transactions. These memory regions control the memory hole from 6460 KB to 1 MB. Six flexible region MRSs are assigned: Memory Region 0 Configuration (R0) through Memory Region 5 Configuration (R5).

Descriptor Allocation

Register: PHY_CAP (MSR Address GLIU0: 10000086h, GLIU1: 40000086h)

Each GLIU descriptor allocation is defined in the PHY_CAP register.

Descriptor	MSR Address	GLIU0	GLIU1
P2D_BM	10000020h	00000000h-00007FFFh	00000000h-00007FFFh
	10000021h	00080000h-0009FFFFh	00080000h-0009FFFFh
	10000022h	4FFFC000h-4FFFFFFFh	4FFFC000h-4FFFFFFFh
	10000023h	000A0000h-000BFFFFh	000A0000h-000BFFFFh
	10000024h	Not used by GeodeROM.	Not used by GeodeROM.
	10000025h	Not used by GeodeROM.	Not used by GeodeROM.
P2D_BMO	10000026h	40400000h-4043FFFFh	40400000h-4043FFFFh
	10000027h	Not used by GeodeROM.	Not used by GeodeROM.
P2D_R	10000028h	00100000h-0E7BFFFFh	00100000h-0E7BFFFFh
P2D_RO	10000029h	50000000h-517FFFFFFFh	50000000h-517FFFFFFFh
	1000002Ah	4FFF8000h-4FFFBFFFh	4FFF8000h-4FFFBFFFh
	1000002Bh	Not used by GeodeROM.	Not used by GeodeROM.
P2D_SC	1000002Ch	C000C7FFh, E000FFFFh	C000C7FFh, E000FFFFh

4.2 AMD Geode™ CS5535 Companion Device Initialization

The Geode™ CS5535 is a complete companion device to the GX processor. The Geode CS5535 incorporates the GeodeLink technology developed in the GX processor to make a transparent GeodeLink through the PCI to the CS5535 device. The CS5535 companion device contains many of the components normally found on the SuperI/O chip. GeodeROM and VSA2 technology initialize these components, including the hard disk controller, USB controllers, GPIOs, RTC, SMBus, Local bus, and other legacy components. This chapter contains descriptions as well as some pseudo code for GX processor-specific code sequences in GeodeROM. The GX processor and CS5535 device do not implement complete PCI bus controllers, so GeodeLink modules that must be identified and configured by an operating system have their PCI configuration spaces virtualized by VSA.

4.2.1 Chipset ID

Hardware PCI Header ID = 002A100Bh
Virtual PCI Header ID = 002B100bh

4.2.2 Set ID Select (IDSEL)

The CS5535 companion device number is changeable by a 32-bit, write once register located in I/O space 0. By default, the CS5535 is located at device 15 (IDSEL = AD25). To insure that it is not accidentally moved, it must be programmed very early in post. The External MSR Access Configuration Register (GX GLPCI MSR Address 50000201Eh) must match the device number to route MSR transactions across the PCI bus.

Example:

```
; set IDSEL
mov eax, 02000000h      ; IDSEL = AD25, device #15
; mov eax, 04000000h      ; IDSEL = AD30, device #20
out 0000h, eax

; set ExtMSR
mov eax, 0F0F0F0Fh      ; device #15
mov edx, 000F0F0Fh      ; device #15
; mov eax, 14141414h      ; device #20
; mov edx, 00141414h      ; device #20
mov ecx, extMSR
WRMSR
```

4.2.3 GLIU Initialization

The CS5535 companion device contains one GLIU that connects up to six peripheral modules. The GLIU routes memory and I/O for the attached modules. Descriptors controlling memory and I/O for the attached modules are initialized by VSA technology. GeodeLink modules can be scanned for their identification. Non-legacy GeodeLink modules that must be visible on the PCI bus will have PCI headers virtualized by VSA technology. The GLIU is configured with MSRs like all GX processor and CS5535 device modules.

VSA technology is also responsible for the Geode CS5535 descriptor allocation.

4.2.4 Diverse Device Initialization

The Diverse Device (DD) is a collection of new and legacy devices that are located in I/O space and connected by the Local bus. It is also the subtractive decode port of the CS5535. Any memory or I/O not claimed by the DD is passed on to the Low Pin Count (LPC) bus. The CS5535 has provided complete flexibility to put non-legacy Local bus devices at any I/O location by implementing Local BARs (LBARs). The following subsections show recommended locations in I/O space to set the LBARs. Devices that may be used before VSA is initialized will be set by GeodeROM.

4.2.4.1 IRQ Mapper

Location: I/O 20-21 master Programmable Interrupt Controller (PIC), I/O A0-A1 slave PIC, I/O 4D0 edge/level PIC shadow register at MSR Address 51400034h

The use of the IRQ Mapper LBAR is optional since it is always accessible via MSRs. The LBAR is for the Mask and Mapper (MM) and the extended PIC (XPIC).

Description: The IRQ Mapper is a combination of a Mapper and Mask (MM), an XPIC, and two Legacy 8259 compatible PICs (LPIC).

Initialization: At reset, the PIC subsystem comes up in legacy mode. VSA initializes the XPIC to generate ASMI from GPIOs. Devices on the XPIC are hard wired to Interrupt Groups (IG) in the MM and XPIC. The XPIC is hooked to the LPIC on interrupts [0:1], [3:15]. The rest (16:64) are hooked to ASMI.

The XPIC has several incoming sources. They are IRQ, LPC, Y, and Z sources. The Y sources include software, USB, RTC alarm, audio, power management, NAND Flash, SMB, KEL, and UARTs. The Z sources include eight MFGPTs and eight GPIOs. During PCI scan, GeodeROM allocates memory, I/O, and interrupts to the PCI devices. This includes the virtual devices emulated by VSA. VSA is responsible for the setup of the XPIC mapper for the devices it is virtualizing.

4.2.4.2 Keyboard Emulation Logic (KEL) 1+ 2

Location: NA

Description: Used for A20 support as well as USB keyboard emulation.

Initialization: VSA technology.

4.2.4.3 System Management Bus (SMBus)

Location: 6000h

Description: SMBus is an industry standard two-wire serial interface. The SMBus is essentially an ACCESS.bus and is the interface used to read the DRAM SPD.

Initialization: GeodeROM sets the LBAR with the desired location and the GPIOs for SMBus. The recommended address (SMBADDR) is 0EFh.

4.2.4.4 GPIO and ICF

Location: 6100h

Description: There are 23 GPIOs in Working mode and 5 in Standby mode. The GPIO registers are such that there is no need to do read/modify/writes. GPIO registers associated with bit settings are 32 bits. Thus, 16 GPIO may be changed at once. These are organized into Low and High banks. The Low bank deals with GPIOs 0 through 15 while the High bank deals with GPIOs 16 through 31.

Be aware of specification update issue #113 in certain silicon revisions (as of this writing, see *AMD Geode™ CS5535 Companion Device Specification Update Silicon Revision A3* (publication ID 31534)). After a suspend, writing the register can not be done atomically.

Initialization: VSA technology will set and use GPIOs connected with SMIs.

Many GPIOs are muxed with other signals and must be set up appropriately. There is a GPIO INT and Power Management Event (PME) Mapper that maps GPIOs to the PIC and power management subsystem.

4.2.4.5 Multi Function General Purpose Timers (MFGPTs)

Location: 6200h

Description: Timers are used by VSA mostly. The timers can set and be set by GPIOs. The timers can output to non-maskable interrupts and cause an ASMI through the XPIC with interrupts.

Initialization: VSA technology.

4.2.4.6 ACPI

Location: 9C00h or other normal ACPI location.

Description: NA

Initialization: ACPI VSM

4.2.4.7 Power Management Logic

Location: 9D00h put on the end of ACPI.

Description: NA

Initialization: VSA technology and ACPI VSM as needed.

4.2.4.8 Flash Interface

Location: 4 LBARs for 4 Flash devices

Description: NA

Initialization: The default values for the LBARs are located in BDCFG.INC in the platform directory, but can be changed at Boot via setup. The Flash interface is configured in the code at ChipsetFlashSetup in CHIPSET.ASM based on the corresponding NVRAM values.

4.2.4.9 Other Legacy DD Initialization

Location: Default legacy definitions.

Description: Initialize COM ports, LPT ports, RTC.

Initialization: These devices are initialized in the same fashion as with a normal SuperI/O and CS5535. Any MSR register settings will be done in chipset individualization. GeodeROM can handle multiple devices and locations by design.

4.2.4.10 DD I/O Locations

Table 4-2. Diverse Device I/O Locations

Location	Device
0020h	PIC Master Command and Status
0021h	PIC Master Command and Status
0060h	USB - Keyboard and Mouse Data
0064h	USB - Keyboard and Mouse Command and Status (KEL)
0070h	RTC Address
0071h	RTC Data
00A0h	PIC Slave Command and Status
00A1h	PIC Slave Command and Status
02E8h	UART/IR COM4
02F8h	UART/IR COM2
03E8h	UART/IR COM3
03F8h	UART/IR COM1
04D0h	PCI Level/Edge IRQ0-7
04D1h	PCI Level/Edge IRQ8-15
6000h	SMBus
6100h	GPIO and ICF
6200h	General Purpose Timers
6400h	Flash BAR
6500h	Flash BAR
6600h	Flash BAR
6700h	Flash BAR
9C00h	ACPI - Subdivide to support GX processor and CS5535 companion device
9D00h	Power Management Logic - Placed at the end of ACPI

4.2.5 ATA-5 / Hard Drive Initialization

Hard drive initialization is handled by a system ROM that is loaded by GeodeROM. The hard drive ROM contains the hard drive initialization, the PIO modes support, and the interrupt support.

New to the hard drive ROM is the UDMA setup, so that default drivers may be used in some operating systems. The UDMA setup includes detecting the 80-conductor IDE cable for UDMA/66 support.

4.2.6 Universal Serial Bus (USB)

There are two Universal Serial Bus Controllers (USBCs) each containing a GeodeLink™ Adapter, PCI Adapter, and USB Core blocks. The GeodeLink Adapter (GLA) translates GeodeLink transactions to/from Local bus transactions. The GLA interfaces to a 64-bit GLIU (GeodeLink Interface Unit) and a 32-bit Local bus. The GLA supports in-bound memory and I/O requests, which are converted by the PCI Adapter (PA) into PCI memory and I/O requests that target the USBC. It also supports in-bound MSR transactions to the MSRs.

4.2.7 AC97 Audio Controller Initialization

The audio codec is initialized by the native audio driver. The virtual PCI header contains the IRQ line. The IRQ is set through the regular PCI initialization and IRQ mapping.

4.2.8 GeodeLink™ Control Processor Initialization

The Geode CS5535 GLCP contains the diagnostic bus, the JTAG interface clock, south bridge control, and power management.

4.3 Virtual System Architecture™ Initialization

Virtual System Architecture (VSA) is the System Management Mode (SMM) software. VSA virtualizes PCI BARs and headers for GeodeLink modules as well as its normal functions described in the *AMD Geode™ GeodeROM Functional Specification* (publication ID 32087).

4.3.1 Allocate Processor Frame Buffer and VSA2 Memory

The GX processor employs a Unified Memory Architecture (UMA), meaning the frame buffer is allocated from the total system memory. The GeodeROM code programs the amount of system memory initially needed for VSA memory. VSA can adjust the descriptors once it is loaded. When internal video is enabled, VSA allocates the frame buffer and graphics descriptors. The amount of memory currently allowed for frame buffer use ranges from 4 to 16 MB.

To inhibit operating system DRAM detection code from reporting the frame buffer as part of system memory, a GLIU offset descriptor is set to send transactions to the PCI bus and program Region Configuration Registers to set the region non-cacheable. This means that DOS, Windows®, OS/2, and UNIX are never aware of the graphics memory portion of system memory. This mapping prevents unwanted access to the graphics frame buffer and other critical graphics information stored in this area. The memory is claimed in the Virtual PCI header.

4.4 PCI Bus Initialization

The GX processor does not incorporate a standard PCI bus controller. The GX processor and CS5535 devices do not have PCI headers. VSA emulates all the PCI headers and the GeodeLink is configured to route memory and I/O for those modules. This requires VSA to be initialized before PCI scan.

For Virtual PCI headers, VSA sets GeodeLink descriptors and the Region Control Registers as requested by the modules during PCI scans.

PCI scan supports interrupt mapping and PCI Bridge support. There is no plan for ISA PnP support at this time.

The PCI controller configuration registers are accessed through PCI type one configuration access mechanism (using Ports CF8h and CFCh).

4.5 Miscellaneous Initializations

In addition to the previous processor initializations, the graphics card(s) must also be initialized.

4.5.1 Initialize Graphics Subsystem

There are two different modes: CRT and TFT. Graphics initialization needs to identify which kind of support is required by reading an MSR in the Video Processor.

Entry Conditions:

- 4 GB descriptor in FS core register.

- GeodeLink descriptors initialized.

- VSA initialized.

- First MB of DRAM functional.

- Interrupts enabled.

- DMA initialized.

- PCI bus functional.

Procedure:

```
IF <PCI graphics card exists> THEN
    Jump to PCI graphics BIOS for initialization.
ELSEIF <ISA graphics card exists> THEN
    Jump to ISA graphics BIOS for initialization.
ELSE <SoftVGA required by setup> THEN
    Initialize SoftVGA during VSA initialization
    Jump to integrated graphics BIOS for initialization
ENDIF
```

4.5.1.1 Monochrome Support

GeodeROM includes the appropriate INT 10h support for monochrome video adapters.

SoftVG needs an extra hole at B000h-B7FFh when a mono card is present.

4.5.1.2 Dual Monitor Support

GeodeROM provides dual monitor support. GeodeROM assumes that the external card is the primary graphics card and that the XpressGRAPHICS™ system is secondary.

Implementation

5

5.1 Implementation

The following is a collection of implementation details to consider in the GeodeROM implementation phase.

5.1.1 Clocking

There are two clock inputs to the GX processor: the system PCI clock (SYSREF) used to derive the Core clock, and the GeodeLink™ clock used for the memory clock. The Dot clock is used for video display control. The Core and GeodeLink clocks can be programmed and restarted by resetting the GX processor.

5.1.2 Scratchpad Initialization

The scratchpad is no longer needed either for BLT buffers or by the audio code for variable storage. The scratchpad is not supported in the GX processor CPU Core.

5.1.3 Post Codes

Post codes are sent out to port 80 throughout GeodeROM. A Post codes list is available in the *AMD Geode™ GeodeROM Functional Specification* (publication ID 32087) to help users debug their problems.

Setup Options

Initial configuration is set in the configurator at build time. Based on those settings, there are some setup options at runtime that are platform specific. Check your platform specification for more details.

Desired Setup Options:

- Clock configuration - complete control of system PLLs
 - Default: Use strap setting for core. GeodeLink™ interface frequency is calculated based on DIMM type.
- PM settings
 - Default: Off
- Audio enable/disable
 - Default: Enabled
- Video Primary/Secondary/Disabled
 - Default: Secondary
- Video Memory Size
 - Default: 24 MB
- Cache enable/disable
 - Default: Write Back
- MTest enable/disable
 - Default: disabled
- LPT enable/disable
 - Default: 378

Note: If a setting is incorrect and the system cannot boot three times, CMOS is reset to the default setup options.

7 Memory Map

Figures 7-1, 7-2, and 7-3 show the system memory. Figure 7-1 is the GLIU Descriptor Map, Figure 7-2 shows the Core Cache descriptors, and Figure 7-3 on page 32 shows the Core cache region configurations.

Figure 7-4 on page 33 shows the flow of GeodeROM in the GX processor/CS5535 system.

Memory Descriptors	
BM - Base Mask	BMO - Base Mask Offset
R - Range	RO - Range Offset
SC - Swiss Cheese	No Swiss Cheese Offset

Figure 7-1. GLIU Descriptor Map

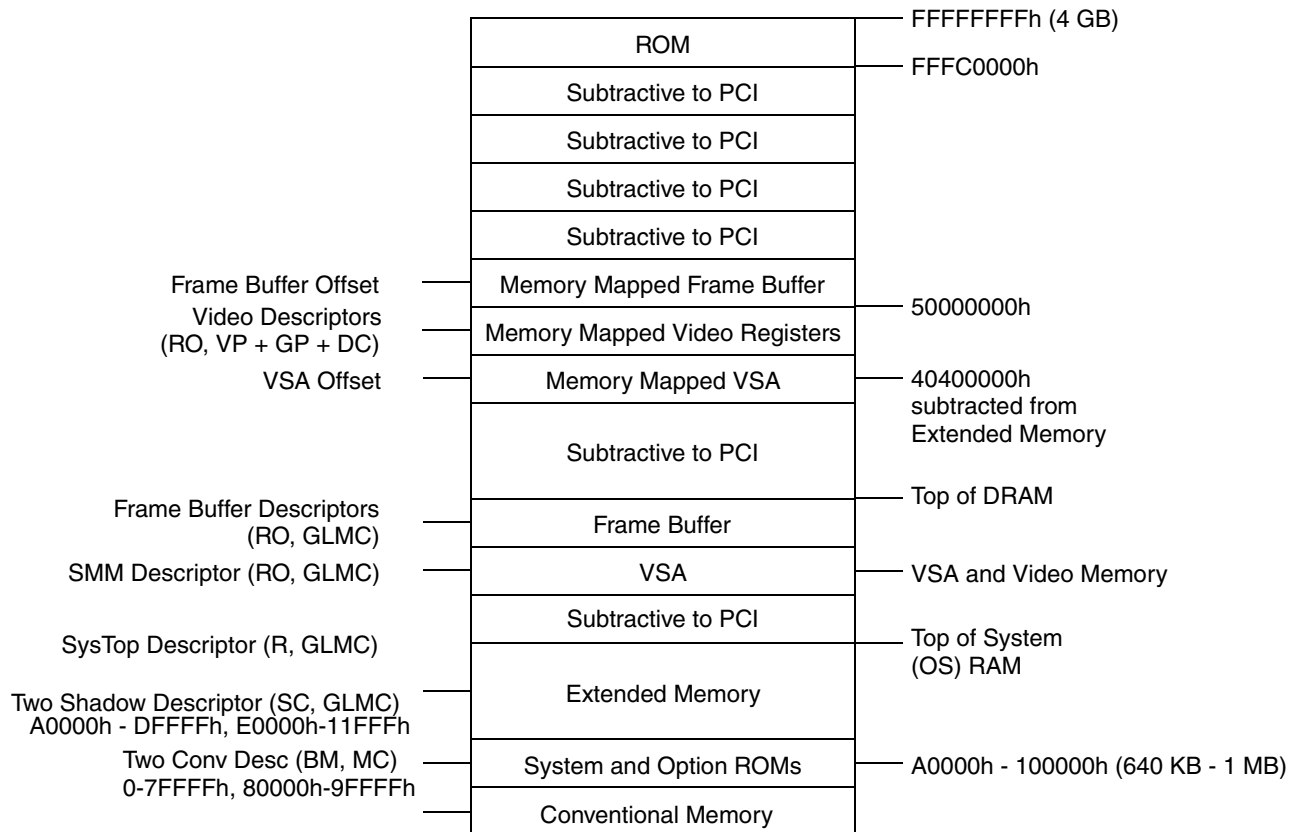


Figure 7-2. CPU Core Cache Descriptors

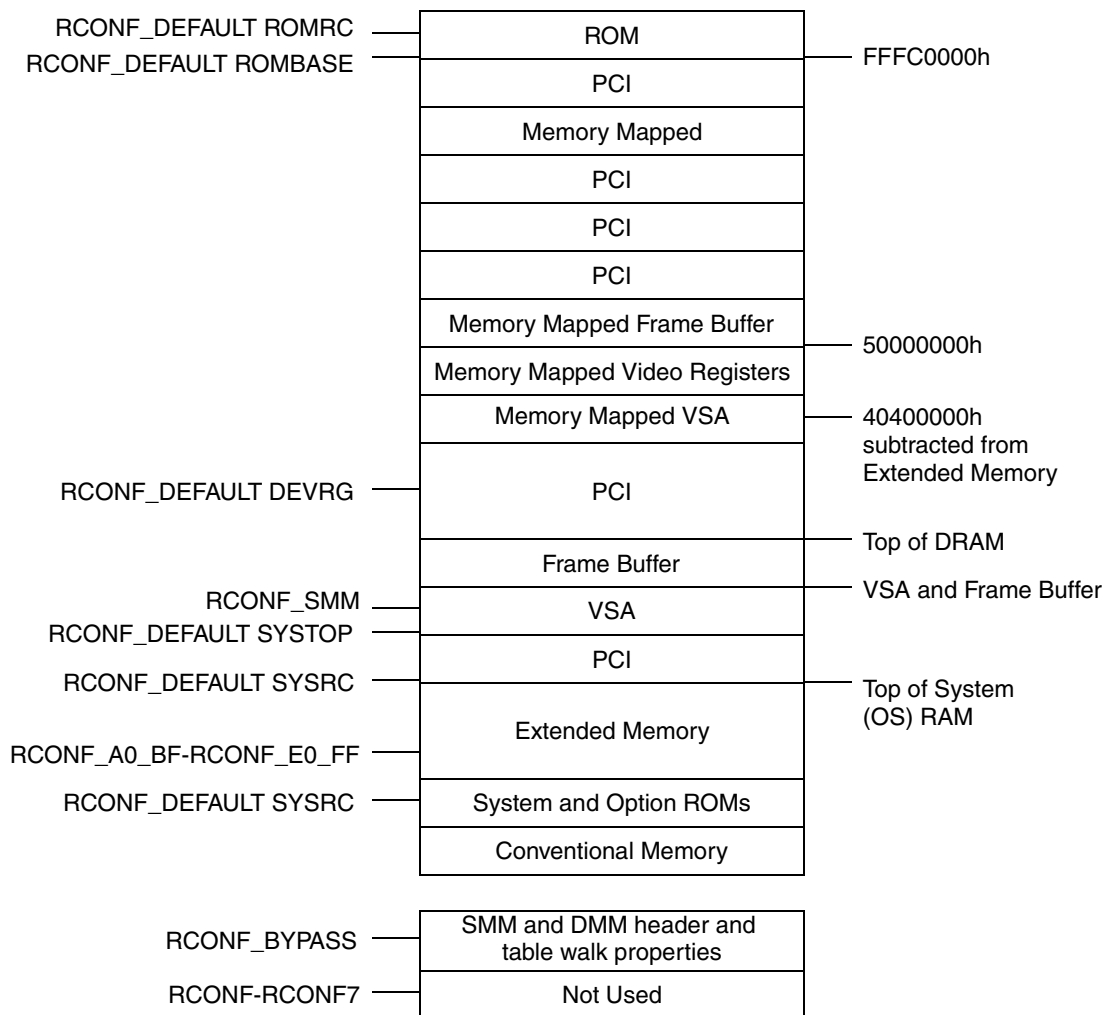


Figure 7-3. CPU Core Cache Region Configurations

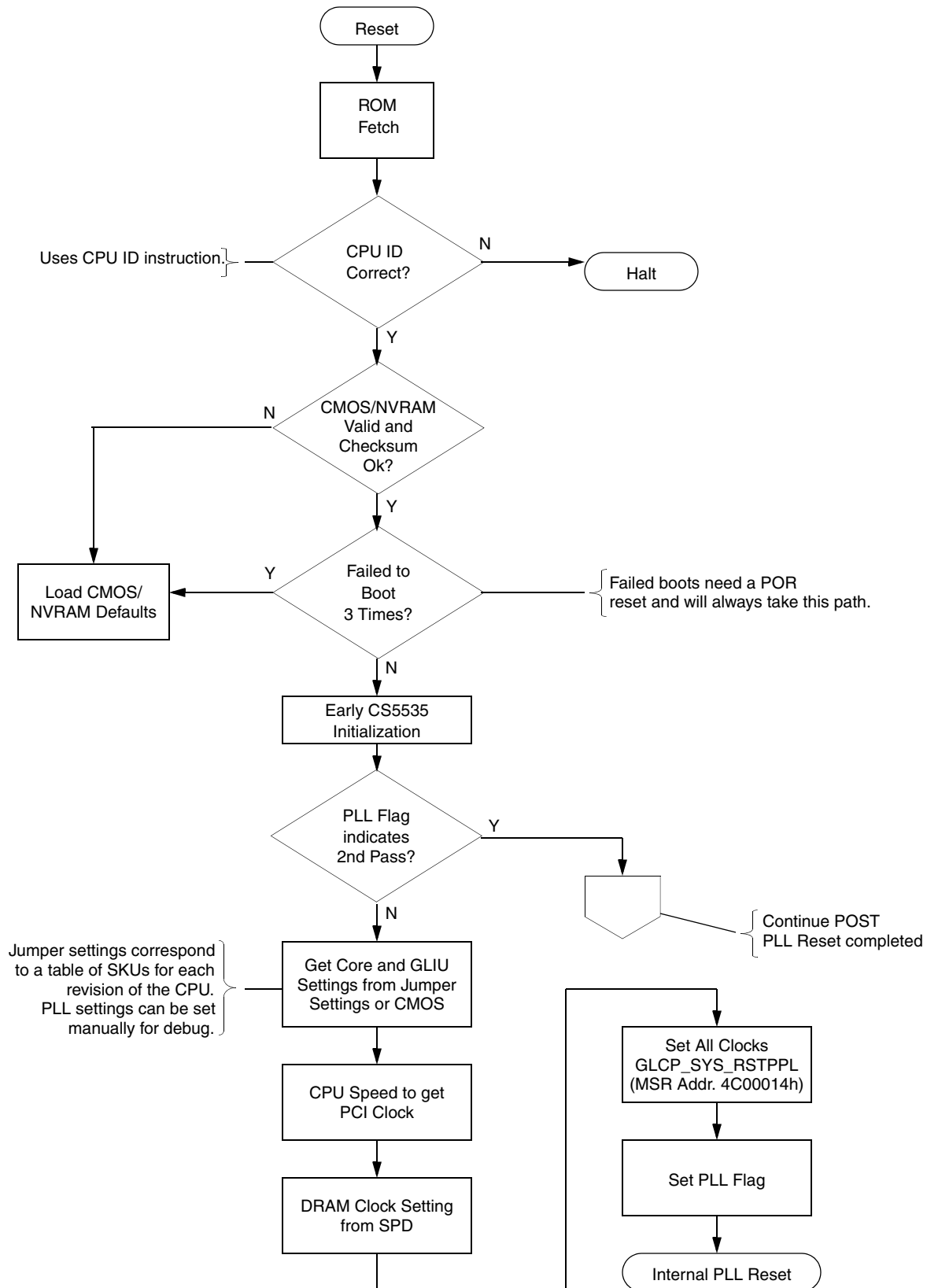


Figure 7-4. GeodeROM Flow - GX Processor/CS5535 Device

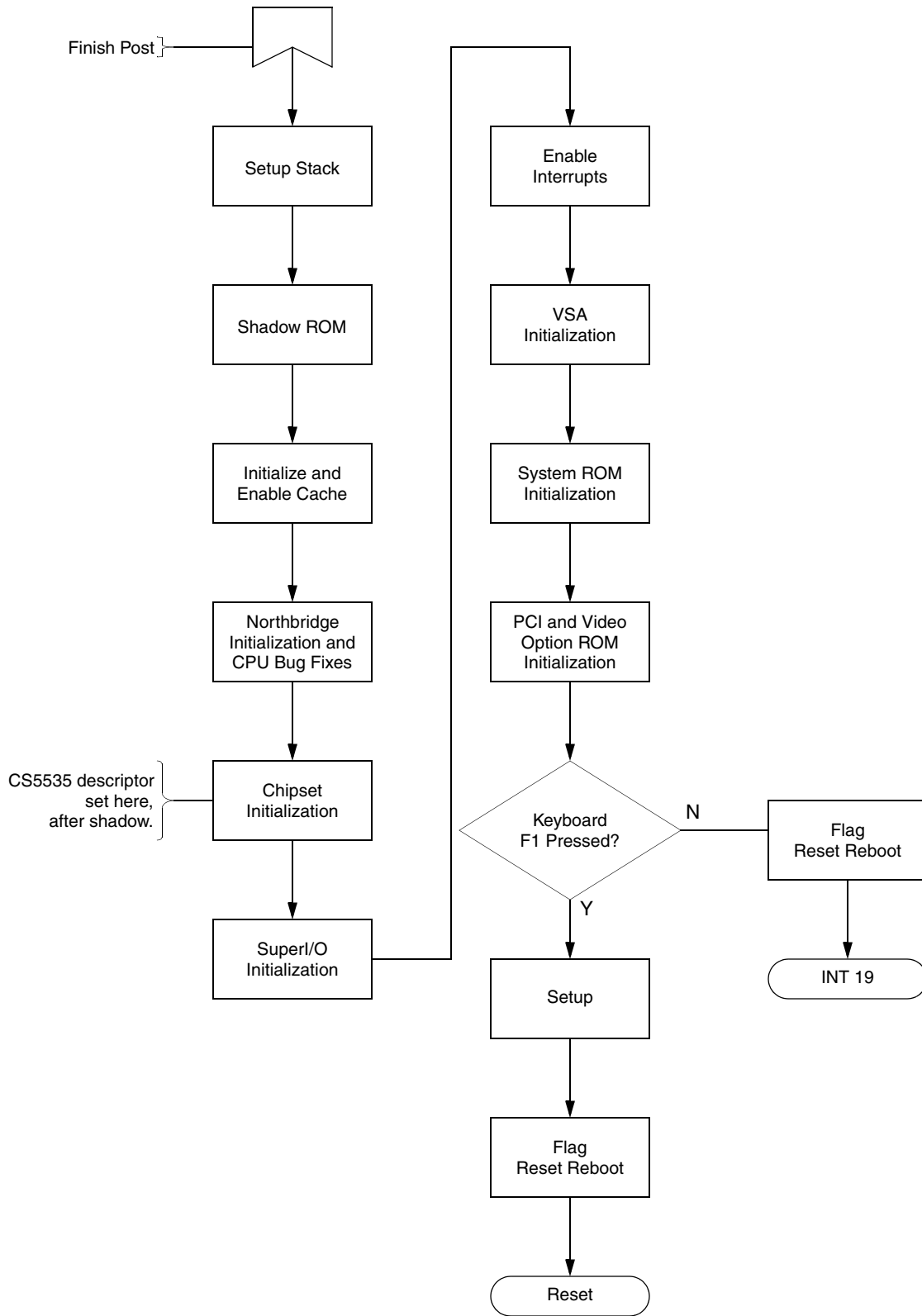


Figure 7-4 "GeodeROM Flow - GX Processor/CS5535 Device" (Continued)

Support Documentation



A.1 Document Revision History

This section reports the revision/creation process of the porting guide. Any revisions (i.e., additions, deletions, parameter corrections, etc.) are recorded in the table(s) below.

Table A-1. Revision History

Revision # (PDF Date)	Revisions / Comments
A (30-Jun-2005)	Initial release.
B (22-Mar-2006)	The goal was to remove "Confidential" to make this an non-NDA document. Also incorporated other minor corrections. See revision B for details.
C (25-Apr-2006)	<ul style="list-style-type: none">• Section 4.0 "Initialization" on page 15: Several sub-sections had incorrect MSR Addresses. Most were 7 digits long instead of 8 (missing a 0). Corrected these.• Section 4.2.4.8 "Flash Interface" on page 22: Changed 5535.ASM to CHIPSET.ASM.



www.amd.com

Free Manuals Download Website

<http://myh66.com>

<http://usermanuals.us>

<http://www.somanuals.com>

<http://www.4manuals.cc>

<http://www.manual-lib.com>

<http://www.404manual.com>

<http://www.luxmanual.com>

<http://aubethermostatmanual.com>

Golf course search by state

<http://golfingnear.com>

Email search by domain

<http://emailbydomain.com>

Auto manuals search

<http://auto.somanuals.com>

TV manuals search

<http://tv.somanuals.com>