



© 2004 AmeriCAir Corporation, Mississauga, Ontario, Canada

## AIR CLEANERS/ FILTERS

# AMAIRCARE HEPA BYPASS AIR FILTRATION SYSTEM

### HOMEOWNERS MANUAL & DEALER INSTALLATION INSTRUCTIONS FOR MODELS 2500HV, 4000HV, 6000V, 6500, 8500 & 10000

#### Rules for Safe Installation and Operation

### **READ AND SAVE THESE INSTRUCTIONS!**

Please read instructions before installing and using the HEPA Bypass Air Filtration System (HEPA system). This will help you obtain the full benefit of the HEPA system you have selected. It will also help you to avoid needless service costs.

1. Read this manual carefully. Failure to follow these rules and instructions could cause a malfunction of the air filter or unsatisfactory service and could void your warranty.
2. Follow a regular service and maintenance schedule to ensure efficient operation.
3. For safety and optimized performance of your HEPA system, all installation and maintenance must be performed by a professional heating and ventilation contractor. The installer should be made aware of your indoor air quality situation and be familiar with your heating, ventilation and air conditioning equipment.
4. High particulate distribution may occur during initial start-up of this product after installation or after scheduled filter changes. Individuals who are highly sensitive to airborne particulates should not be in the building and allow 24 hours of operation for removal of particulates from occupied spaces before re-entry.

#### **⚠ WARNING**

##### **Risk of property damage, injury or death.**

Installation, adjustments, alterations, service and maintenance must be performed by a qualified technician.

#### **⚠ WARNING**

##### **Risk of Carbon Monoxide Poisoning.**

Can cause injury or death.

Do not operate equipment without access panel in place. Operation of this equipment without all access panels in place may cause gas fumes from the heating system to be drawn into occupied spaces.

#### Shipping and Packing List

Package 1 of 1 contains:

- 1 - HEPA System
- 1 - Complete Filter Set (Packed inside Unit)
- 1 - Installation Instructions (this manual)
- 1 - Registration Card

#### HEPA System Models

**Model 2500HV is designed to filter air up to a rate of 175 cfm.**

**Model 4000HV is designed to filter air up to a rate of 300 cfm.**

**Model 6000V is designed to filter air up to a rate of 600 cfm.**

**Model 6500 is designed to filter air up to a rate of 650 cfm.**

**Model 8500 is designed to filter air up to a rate of 850 cfm.**

**Model 10000 is designed to filter air up to a rate of 1000 cfm.**



#### **⚠ WARNING**

##### **Electrical Shock Hazard.**

Can cause injury or death.

Disconnect all electrical power supplies before servicing.

Do not operate equipment without access panels in place

## Table of Contents

Rules for Safe Installation and Operation .....	1	Maintenance .....	12
Shipping and Packing List.....	1	Filter Change Schedule .....	12
Specifications .....	2	Filter Changing Guidelines .....	12
Introduction .....	2	Dealer Filter Change Instructions .....	13-14
General Information.....	3	Dealer Motor Assembly Replacement Instructions .....	15
Product Application Guidelines .....	3	Electrical Diagram .....	15
Parts Identification .....	4-6	Replacement Parts.....	16
Physical Dimensions of Units .....	7-8		
Dealer Installation Instructions .....	9-11		
Operation .....	12		

## Specifications

	2500HV	4000HV	6000V	6500	8500	10000
Nom. Air Flow @ 120VAC @ 0.0" E.S.P.	175 cfm	300 cfm	600 cfm	650 cfm	850 cfm	1000 cfm
Weight (max - unpackaged)	25 lbs.	27 lbs.	58 lbs.	120 lbs.	125 lbs.	130 lbs.
Supply Voltage	120 VAC	120 VAC	120 VAC	120 VAC	120 VAC	120 VAC
Nom. Measured Power Consumption	125 Watts	125 Watts	160 Watts	250 Watts	360 Watts	600 Watts
Motor Current Draw - Total	1.0 amps	1.0 amps	1.0 amps	2.1 amps	3.6 amps	4.8 amps
Air Intake Collar (max)	6"-round	6"-round	10"-round	10"x12"	10"x12"	10"x12"
Air Outflow Collar (max)	6"-round	6"-round	8"-round	10"x12"	10"x12"	10"x12"
Operating Temp. Range - Return air (°F)	30 to 95	30 to 95	30 to 95	30 to 95	30 to 95	30 to 95

HEPA filter efficiency = 99.97% @ 0.3 micron particles  
 Ambient temperature range: -40°F to 130°F

## Introduction

Congratulations! You will quickly realize that you have purchased a very effective air cleaning system. It incorporates state of the art HEPA (High Efficiency Particulate Air) technology.

Your Amaircare HEPA system comes with a limited warranty. With proper attention to its care and maintenance, you will receive optimum performance.

If your indoor air has abnormally high concentrations of particulates, the life span of the filter media may be shortened. Excessive particulates in the air will reduce the expected life of the HEPA filter. Under normal conditions the HEPA filter will last from two to five years.

The optional activated carbon canister has a finite limit as to the amount of odor or other gaseous volatile organic compounds (V.O.C.'s) that it can adsorb. The higher the concentrations, the shorter the expected life. Higher humidity may shorten the life of the carbon canister. Under normal conditions, the carbon canister

should last up to 12 months.

Initially, the HEPA filter's particulate removal efficiency improves with use. However, the air flow through the HEPA filter media will decrease, as dust builds up on the filter, thus lowering its ability to circulate and clean as much air as when it was new. If the air flow through your unit is noticeably reduced, you can inspect the pre-filter and HEPA filter to see if they should be replaced. Replacement (or washing if foam) of the pre-filter every 3 months will help extend the life of the HEPA filter.

Please contact your local Amaircare dealer regarding replacement of filter media, warranty information or if you have any questions or concerns about the performance of your HEPA system.

**NOTE: This filtration system is an ADDITIONAL filter, and does NOT replace the existing air handler/furnace system filter.**

## General Information

### Media Filters

Media filters strain particulates from the air. The filter media needs to have tiny holes to allow air to pass through, but not particulates. Filter types vary for all sorts of purposes. The most effective and proven filter media is HEPA. HEPA filter media is 99.97% efficient at capturing particles which are 0.3 micron in size or larger.

### Carbon Filters

Carbon media is used to capture chemicals and odors, also referred to as V.O.C.'s. Chemicals and odors cannot be captured with media type filters. Activated carbon collects chemicals and odors in a process called adsorption. If air passes through the carbon filter before particulates are removed, the surface of the carbon quickly gets covered with particulates, rendering it ineffective at capturing chemicals and odors. If particulates are removed from the air with a HEPA filter, virtually the entire surface area of the carbon can be used to capture chemicals and odors. This increases the efficiency and filter life of the carbon filter.

### Separate HEPA and Carbon Filters

HEPA and carbon filters have different life spans. It is important for a filtration system to keep the filter com-

ponents independent from each other, so that the filter that is dirty/saturated can be changed. This is more economical than a system where you need to throw out two or three filters when only one needs changing.

### The HEPA System's 3 Stage Filtration Process

The 3 stage filtration process is used to create a very effective filtration system. Each filter is independent and can be changed individually.

- **Stage 1:** Pre-filter - The inexpensive pre-filter (foam or carbon) removes larger particulates from the air, thus prolonging the life of the HEPA filter.
- **Stage 2:** HEPA - The HEPA filter removes 99.97% of particulates 0.3 micron and larger. The cleaned air then passes through the third stage filter.
- **Stage 3:** Carbon - The carbon filter is about 1/2 an inch thick to give it plenty of surface area for removing chemicals and odors from the air. This filter may be replaced by an optional heavy duty granular carbon canister available for maximum removal of chemicals and odors. The clean air is then reintroduced into the air you breathe.

## Product Application Guidelines

### Size of House vs. Air Changes per Hour

Model Unit	Size of House*							
	1,000 ft <sup>2</sup> (8,000 ft <sup>3</sup> )	1,200 ft <sup>2</sup> (9,600 ft <sup>3</sup> )	1,500 ft <sup>2</sup> (12,00 ft <sup>3</sup> )	1,800 ft <sup>2</sup> (14,400 ft <sup>3</sup> )	2,000 ft <sup>2</sup> (16,000 ft <sup>3</sup> )	2,500 ft <sup>2</sup> (20,000 ft <sup>3</sup> )	3,000 ft <sup>2</sup> (24,000 ft <sup>3</sup> )	3,500 ft <sup>2</sup> (28,000 ft <sup>3</sup> )
Model 2500HV	1.31	1.1	.88	.73	.66	.53	.44	.37
Model 4000HV	2.25	1.88	1.5	1.25	1.13	0.9	.75	.64
Model 6000V	4.5	3.75	3	2.5	2.25	1.8	1.5	1.29
Model 6500	4.88	4.06	3.25	2.71	2.44	1.95	1.63	1.39
Model 8500	6.38	5.31	4.25	3.54	3.19	2.55	2.13	1.82
Model 10000	7.5	6.25	5	4.17	3.75	3	2.5	2.14

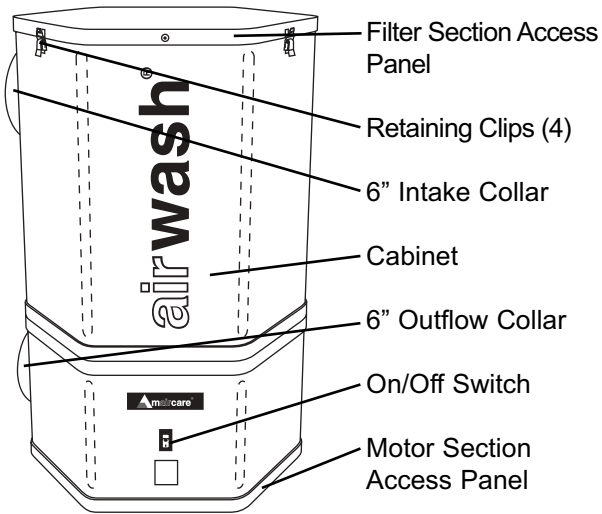
\* Chart based on homes with 8 ft. ceilings.

### Notes:

- Industry experience indicates that one (1) air change per hour generally provides adequate air cleaning. Actual results will depend on multiple factors such as outdoor particulate levels, infiltration rate, indoor activities etc.
- Generally speaking, the more air changes per hour provided, the more effective a HEPA system will be. People with sensitivities may desire a higher number of air changes per hour for cleaner air.

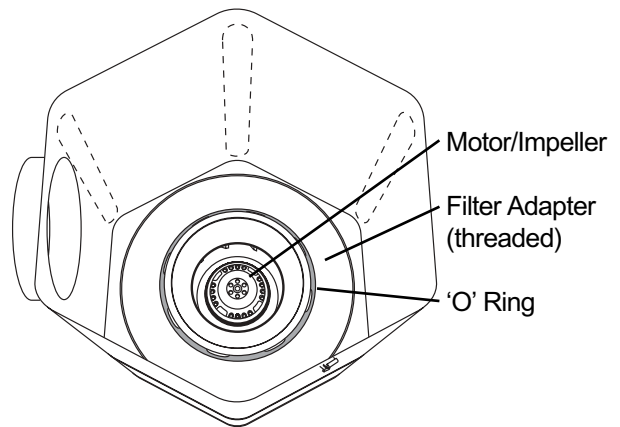
**Parts Identification 2500HV 4000HV**

**Cabinet Parts**



**figure 1.**

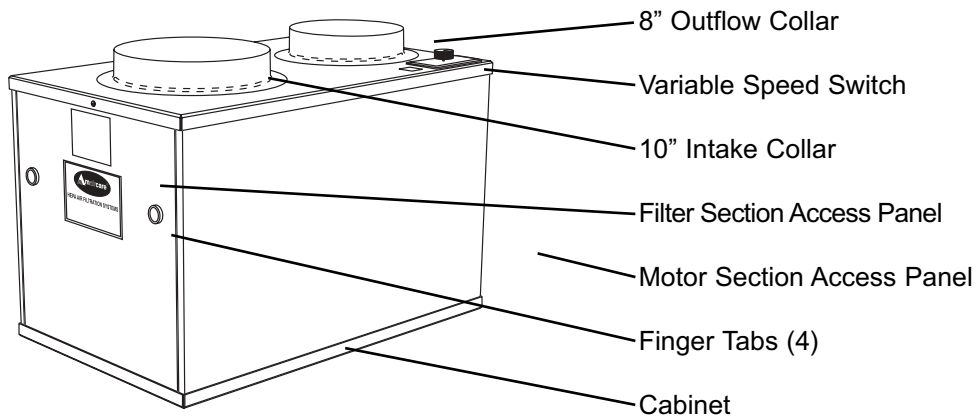
**Inside Cabinet (Filter Section)**



**figure 2.**

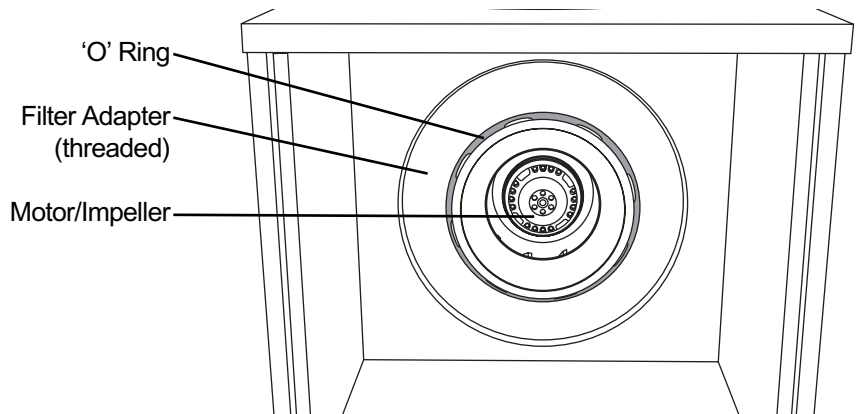
**Parts Identification 6000V**

**Cabinet Parts**



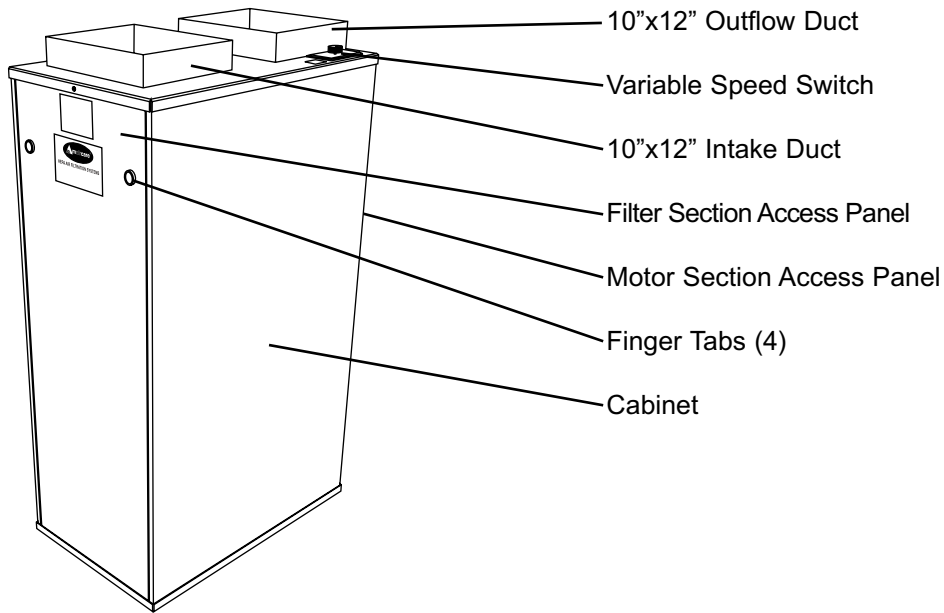
**figure 3.**

**Inside Cabinet (Filter Section)**



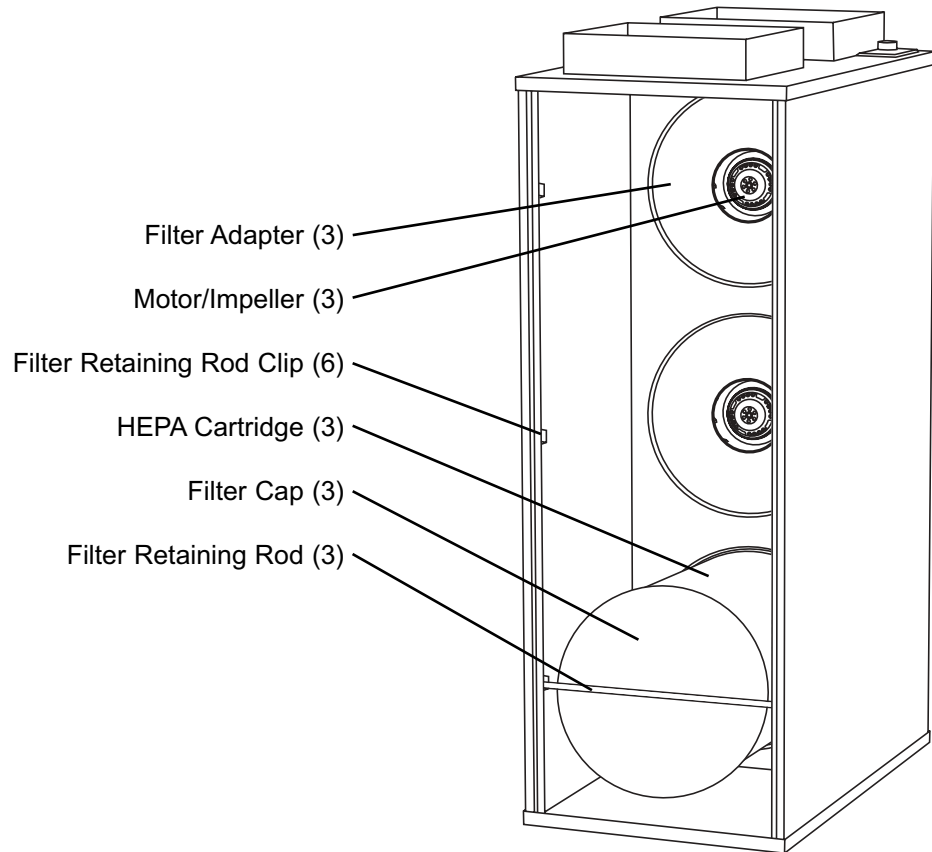
**figure 4.**

**Cabinet Parts**



**figure 5.**

**Inside Cabinet (Filter Section)**



**figure 6.**

## Filter Parts Identification

### HEPA Cartridge Parts - 2500HV, 4000HV & 6000V

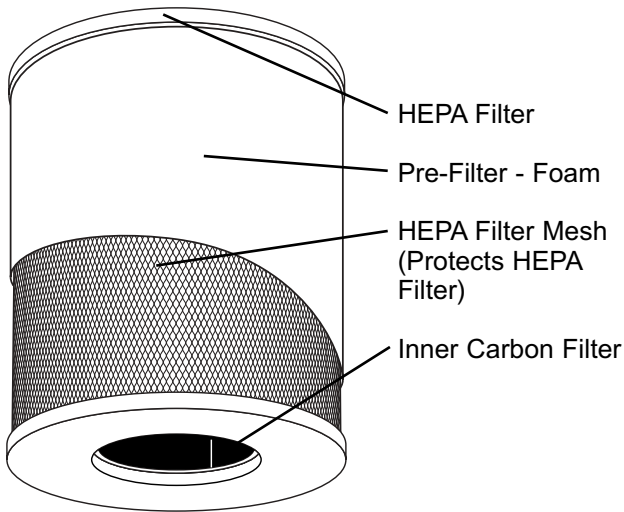


figure 7.

### Optional Carbon Canister - 4000HV & 6000V

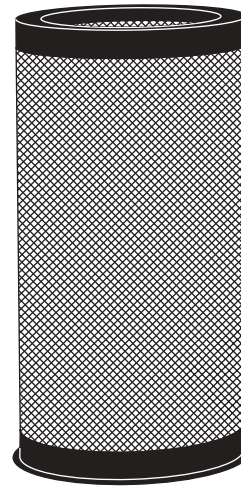


figure 8.

For third stage increased removal of chemicals and odors.

Located inside the HEPA filter.

Discard inner carbon filter when using the optional carbon canister.

### HEPA Cartridge Parts - 6500, 8500 & 10000

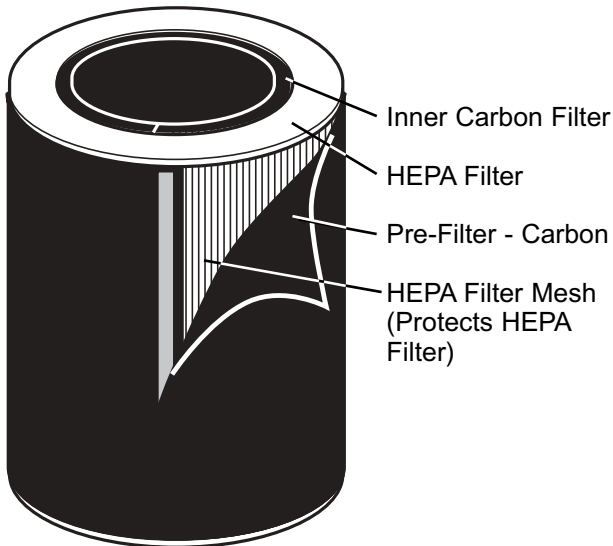


figure 9.

### Optional Carbon Canister - 6500, 8500 & 10000

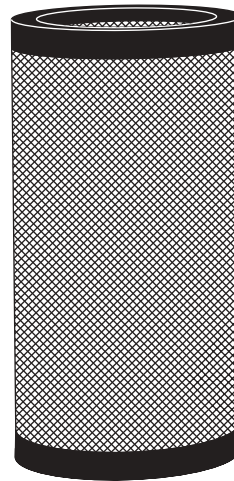


figure 10.

For third stage increased removal of chemicals and odors.

Located inside the HEPA filter.

Discard inner carbon filter when using the optional carbon canister.

## Physical Dimensions of Unit

### Model 2500 & 4000HV:

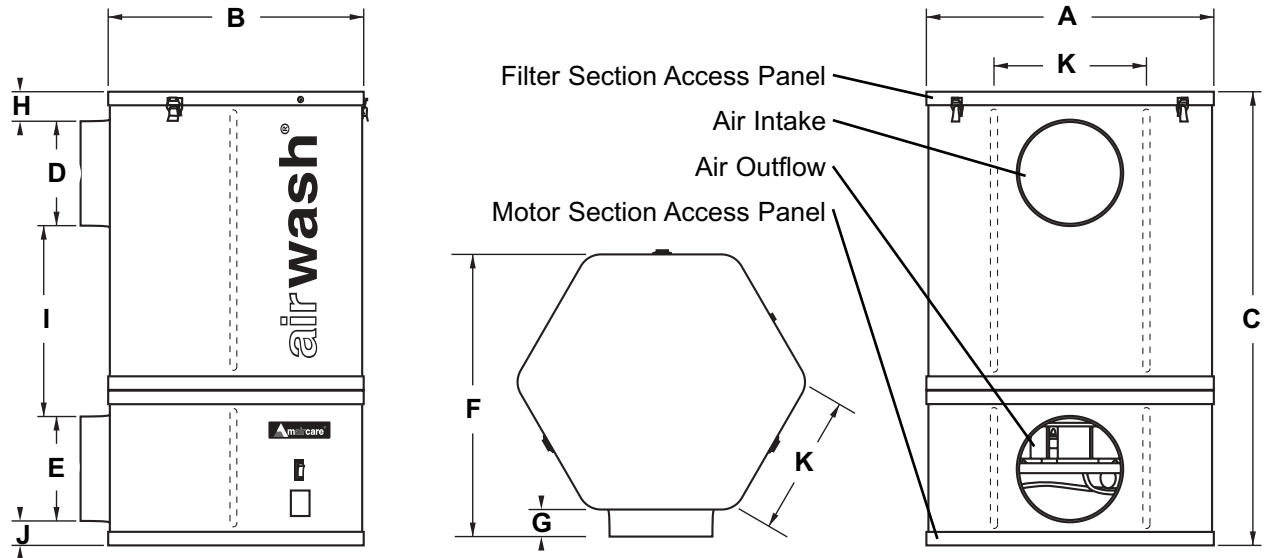


figure 11.

### Model 6000V:

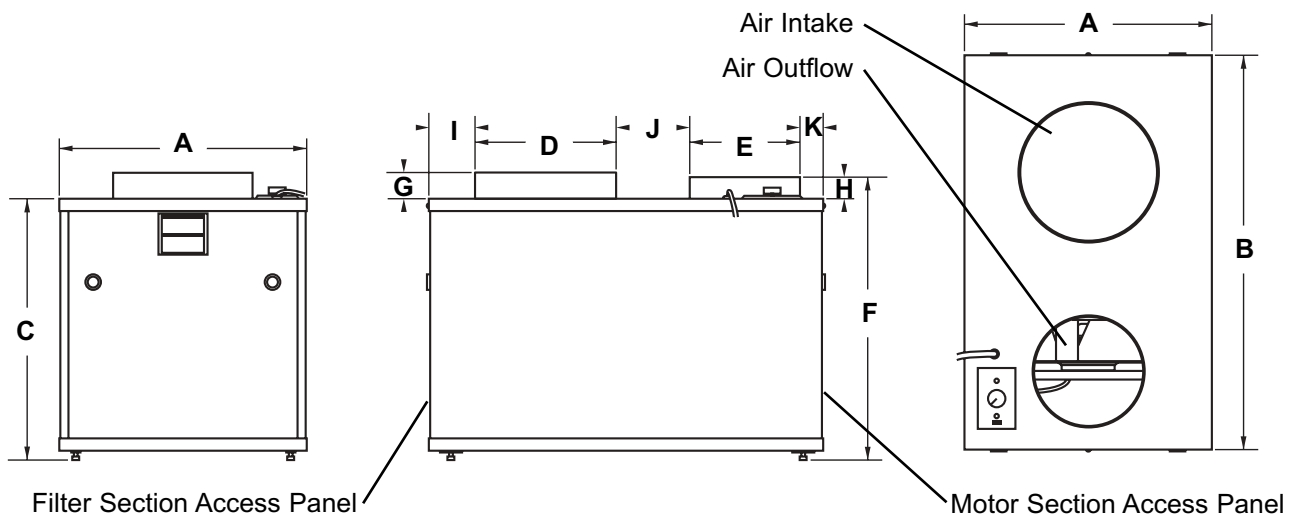


figure 12.

MODEL NO.	A	B	C	D	E	F	G	H	I	J	K
Model 2500HV	15.75 (400)	14 (356)	16.25 (413)	6 (152)	6 (152)	15.75 (400)	1.75 (44)	1.25 (32)	1.5 (38)	1.5 (38)	8 (203)
Model 4000HV	15.75 (400)	14 (356)	25 (635)	6 (152)	6 (152)	15.75 (400)	1.75 (44)	1.25 (32)	10.25 (260)	1.5 (38)	8 (203)
Model 6000V	17.25 (483)	28 (711)	18.5 (470)	10 (254)	8 (203)	20 (508)	2 (51)	1.5 (38)	3.2 (81)	5.4 (137)	1.4 (36)

Dimensions in inches (mm)

## Physical Dimensions of Unit

Models 6500, 8500 & 10000:

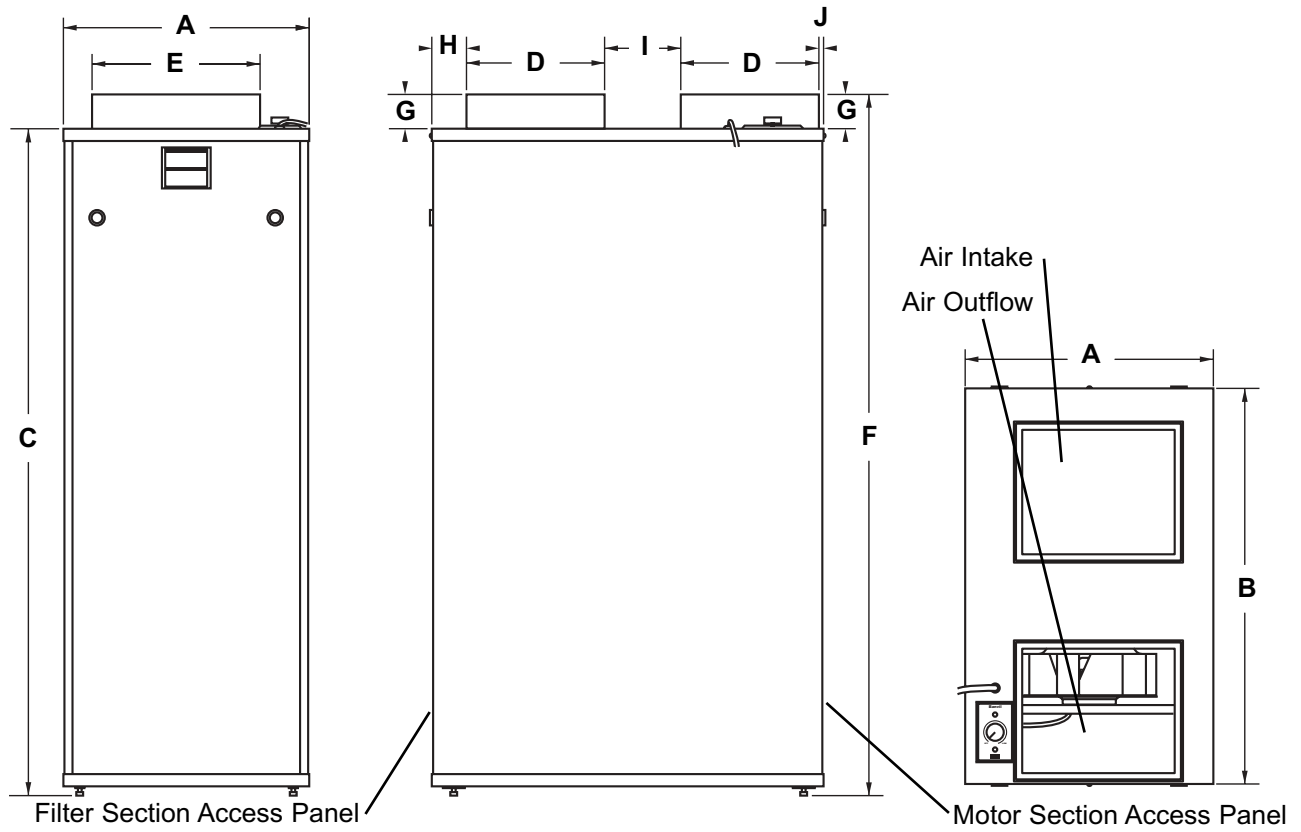


figure 13.

MODEL NO.	A	B	C	D	E	F	G	H	I	J
Models 6500, 8500 & 10000	17.25 (438)	28 (711)	47.75 (1213)	10 (254)	12 (254)	50.25 (1276)	2.5 (64)	2.6 (66)	5.3 (135)	0.1 (3)

Dimensions in inches (mm)



## Dealer Installation Instructions

### Forced air handler/furnace systems:

The HEPA system should be installed as a bypass system, with part of the return ducted into the HEPA system. The filtered air is then rerouted back into the return air, and continues through the system to be heated/cooled.

#### Typical Return to Return Application

For homes with upflow forced air handler/furnace systems. (Air handler/furnace is shown in a typical basement. See Figure 6.)

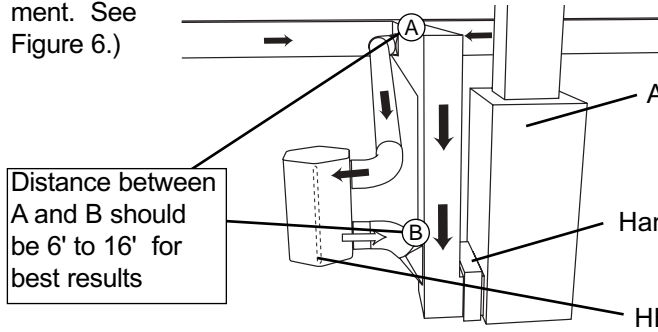


Figure 14.

#### Typical Return to Return Application

For homes with horizontal forced air handler/furnace systems. (Air handler/furnace is shown in an typical attic. See figure 7.)

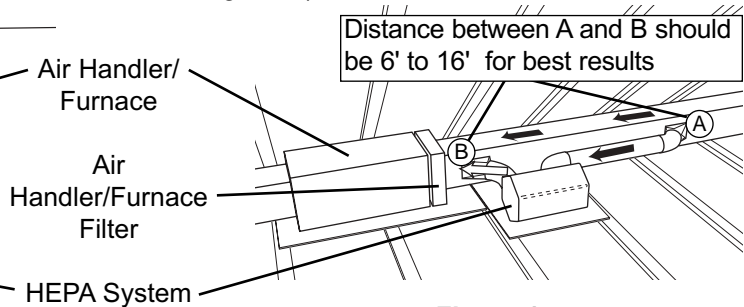


Figure 15.

**NOTE:** This filtration system is an **ADDITIONAL** filter, and does **NOT** replace the existing air handler/furnace system filter.

### Preparation:

Here are some things to consider as you decide where to install the HEPA system.

### Location:

- Make sure there is room to open the HEPA filter access panel for filter changes/inspections.
- Keep the HEPA system in a location where you can still access the air handler/furnace filter.
- Keep the HEPA system away from possible water damage.
- Vibration pads will reduce vibration for installations where the unit is placed on the floor.
- Install HEPA System on floor or suspended platform. If the unit is suspended, screws must not penetrate through the cabinet. Make sure that you have the proper chains/straps/joists and equipment to keep unit secure.

### Intake (Marked as 'Air In' on unit):

- Intake ducts should be installed upstream of any humidifiers and be installed on the main return.
- Intake duct should be installed at least 6 ft. away from the outflow duct on the main return.

### Outflow (Marked as 'Clean Air Out' on unit):

- Outflow duct should be installed as close to the air handler/furnace inlet as possible but not directly into the return air elbow of the main return.
- If the unit is being installed independently of any other system, room diffusers are recommended to help distribute airflow evenly in the occupied space.

### Ducting:

- If HEPA system is installed where inlet and outflow collars face down, metal elbows must be connected to both inlet and outflow collars.
- Each connection must be sealed with aluminum tape or mastic, including all take offs.

- Installed duct runs should be as straight as possible (if the duct runs are too long, reduced CFM may result).
- If duct is exposed to unconditioned air, externally insulated flex duct is highly recommended.
- Externally insulated flex duct can also be used for noise reduction purposes.
- For best indoor air quality, do not use ductboard or fiberglass inside of ducts.

### Electricity:

- The unit must be plugged into a grounded 120V, 60Hz outlet.

### Required Materials for Installation of Unit:

#### Items for 2500HV & 4000HV

Flex or rigid duct (length as required)	6" round
Takeoffs	Two 6"

#### Items for 6000V

Flex or rigid duct (length as required)	10" round & 8" round
Takeoffs	One 10" & One 8"

#### Items for 6500, 8500 & 10000

Flex or rigid duct (length as required)	10" x 12"
Takeoffs	Two 10"x12"

#### All Models

Aluminum tape or mastic as required
Misc. hanging materials - field provided

**NOTE:** Be sure to review 'Rules for Safe Installation and Operation' on page 1 of this document before start-up of this unit.

## Dealer Installation Instructions

### Forced air handler/furnace system with an HRV/ERV

This application provides filtration of all Outdoor Air (OA) that is brought into the home through the HRV/ERV, thus reducing the introduction of dust, pollen and mold from the outdoor air. For systems that have HRV/ERV units installed, we recommend ducting the 'fresh air' outflow from the HRV/ERV into the HEPA system. If the HRV/ERV CFM (cubic feet per minute) rating is lower than that of the HEPA system, an additional return needs to be installed into the HEPA system (See figure 8.) The outflow air from the HEPA system then needs to be installed into the main return of the air handler/furnace system. Ensure that you follow the proper installation instructions as outlined in the HRV/ERV Installation manual(s).

#### Preparation:

Here are some things to consider as you decide where to install the HEPA system with an HRV/ERV.

#### Location:

- Make sure there is room to open the HEPA filter access panel for filter changes/inspections.
- Keep the HEPA system in a location where you can still access the air handler/furnace filter.
- Keep the HEPA system away from possible water damage
- Vibration pads will reduce vibration for installations where the unit is placed on the floor.
- Install HEPA System on floor or suspended platform. If the unit is suspended, screws must not penetrate through the cabinet. Make sure that you have the proper chains/straps/joists and equipment to keep unit secure.

#### Intake (Marked as 'Air In' on unit):

- Most HRV/ERV systems will not move as much air as the HEPA system. For these systems, install an additional return from another treated air source into the HEPA system.
- If using an additional return duct, it should be installed upstream of any humidifiers. The fresh air outflow of the HRV/ERV should be "Y" connected to the additional return duct then connected to the inlet of the HEPA system.
- The additional return duct (if any) should be installed at least 6 ft. away from the outflow duct on the main return.
- Duct both the HRV/ERV and the additional return into the intake of the HEPA system.

#### Outflow (Marked as 'Clean Air Out' on unit):

- Outflow duct should be installed as close to the air handler/furnace inlet as possible but not directly into the return air elbow of the main return.

#### Ducting:

- If HEPA system is installed where inlet and outflow collars face down, metal elbows must be connected to both inlet and outflow collars.
- Each connection must be sealed with aluminum tape or mastic, including all take offs.
- Installed duct runs should be as straight as possi-

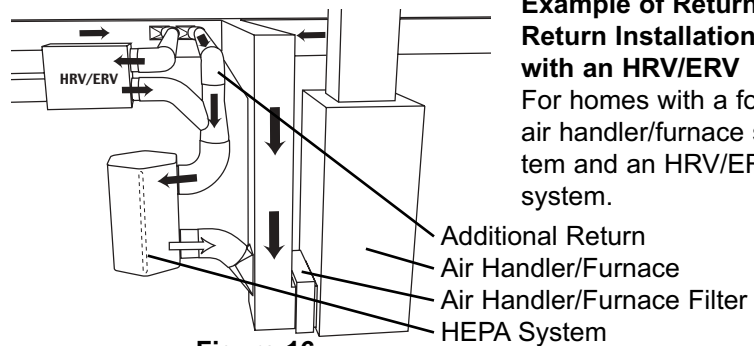


Figure 16.

#### Example of Return to Return Installation with an HRV/ERV

For homes with a forced air handler/furnace system and an HRV/ERV system.

**NOTE:** This filtration system is an **ADDITIONAL** filter, and does **NOT** replace the existing air handler/furnace system filter.

ble (if the duct runs are too long, reduced CFM may result).

- If duct is exposed to unconditioned air, externally insulated flex duct is highly recommended.
- Externally insulated flex duct can also be used for noise reduction purposes.
- For best indoor air quality, do not use ductboard or fiberglass inside of ducts.

#### Electricity:

- The unit must be plugged into a grounded 120V, 60Hz outlet.

#### Required Materials for Installation of Unit:

##### Items for 2500HV & 4000HV

Flex or rigid duct (length as required)	6" round
Takeoffs	Two 6"

##### Items for 6000V

Flex or rigid duct (length as required)	10" round & 8" round
Takeoffs	One 10" & One 8"

##### Items for 6500, 8500 & 10000

Flex or rigid duct (length as required)	12" round or 10" x 12"
Takeoffs	Two 10"x12"

#### All Models

Aluminum tape or mastic as required  
Misc. hanging materials - field provided

**NOTE:** Be sure to review 'Rules for Safe Installation and Operation' on page 1 of this document before start-up of this unit.

## Dealer Installation Instructions

### Independent Operation:

The HEPA systems can be used independently of any other equipment! The intake and outflow of the filtration system can be ducted into the same room to create a cleaner environment almost anywhere. The intake or outflow can also be ducted elsewhere. The intake and outflow should be installed on opposite sides of the room; however, this varies according to your specific needs.

### Preparation:

Here are some things to consider as you decide where to install the HEPA system independently of other systems.

### Location:

- Make sure there is room to open the HEPA filter access panel for filter changes/inspections.
- Keep the HEPA system away from possible water damage
- Vibration pads will reduce vibration for installations where the unit is placed on the floor.
- Install HEPA System on floor or suspended platform. If the unit is suspended, screws must not penetrate through the cabinet. Make sure that you have the proper chains/straps/joists and equipment to keep unit secure.

### Intake (Marked as 'Air In' on unit):

- Intake ducts should be installed near the floor for optimum airflow (see figure 11). If space does not allow, then the inlet can be installed in the ceiling.
- Intake duct should be installed at least 6 ft. away from the outflow duct.
- Intake duct should be installed at opposite end of the room from the outflow duct(s) if in the same room.
- Diffusers are recommended to help distribute airflow evenly.

### Outflow (Marked as 'Clean Air Out' on unit):

- Outflow(s) should be installed in the ceiling away from any other air inlet(s)
- Room diffusers are recommended to help distribute airflow evenly in the occupied space.

### Ducting:

- If HEPA system is installed where inlet and outflow collars face down, metal elbows must be connected to both inlet and outflow collars.
- Each connection must be sealed with aluminum tape or mastic, including all vent connections.
- Installed duct runs should be as straight as possible (if the duct runs are too long, reduced CFM may result).
- If duct is exposed to unconditioned air, insulated flex duct is highly recommended.

### Example of Single Room Stand Alone System Installation

For single rooms where increased filtration is desired such as a dedicated 'smoking room'.

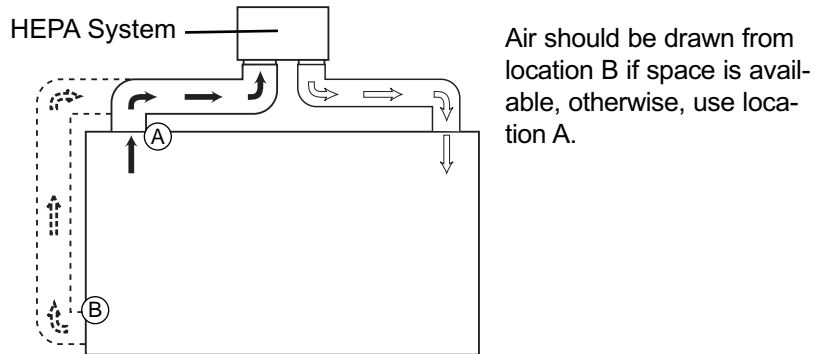


Figure 17.

- Externally insulated flex duct can also be used for noise reduction purposes.
- For best indoor air quality, do not use ductboard or fiberglass inside of ducts.

### Electricity:

- The unit must be plugged into a grounded 120V, 60Hz. outlet.

### Required Materials for Installation of Unit:

#### Items for 2500HV & 4000HV

Flex or rigid duct (length as required)	6" round
Takeoffs	Two 6"
Diffusers	Two 6"

#### Items for 6000V

Flex or rigid duct (length as required)	10" round & 8" round
Takeoffs	One 10" & One 8"
Diffusers	One 10" & One 8"

#### Items for 6500, 8500 & 10000

Flex or rigid duct (length as required)	10" x 12"
Takeoffs	Two 10"x12"

#### All Models

Aluminum tape or mastic as required  
Misc. hanging materials - field provided

*NOTE: Be sure to review 'Rules for Safe Installation and Operation' on page 1 of this document before start-up of this unit.*


## Operation

1. Make sure that the unit is plugged into a grounded outflow (120 Volt, 60 Hz).
2. For optimum performance, the HEPA system should operate when the indoor air handler/furnace blower is on.
3. For model 2500HV & 4000HV: Turn the unit on by pressing the on/off switch to the '1' position. The switch should light up when the unit is on.  
For models 6000V, 6500, 8500 & 10000: Turn the unit on by rotating the variable speed dial clockwise. The unit starts in High speed, turn all the way clockwise for low speed.
4. For model 2500HV & 4000HV: To turn the unit off, press the on/off switch to the '0' position. The switch light should turn off when the unit is off.  
For models 6000V, 6500, 8500 & 10000: To turn the unit off, rotate the variable speed dial counter-clockwise until you feel or hear it click into the 'off' position

## Maintenance

Proper care and maintenance of your HEPA system will ensure years of service. The unit must be turned off during service/maintenance or when filters are being changed.

**It is recommended that gloves and a filtered breathing mask be worn during filter replacement.**

	<b>⚠ WARNING</b>
	<b>Electrical Shock Hazard.</b>
	Can cause injury or death. Disconnect all electrical power supplies before servicing. Do not operate equipment without access panels in place

<b>⚠ CAUTION</b>
<b>Risk of Sharp Edges Hazard.</b>
Equipment sharp edges can cause injuries. Avoid grasping equipment edges without protective gloves.

### Filter Change Schedule

**Note:** Note: Failure to properly maintain your HEPA system will decrease the efficiency and air flow.

**Pre-Filter:** 3 to 4 months\*

**HEPA Filter:** 2 to 5 years

**Inner Carbon Filter:** 6 months

**Optional Carbon Canister:** 12 months

\* Foam pre-filters (4000HV & 6000V) can be washed and reused

*NOTE: Filter life is based on average air content. Some filters may need to be changed more often due to higher amounts of dust, humidity, or chemicals found in your ambient air. Additionally, people who are more sensitive to these airborne contaminants may desire more frequent filter changes.*

### Filter Changing Guidelines

#### Pre-Filter:

Dust and other large particles will collect on the pre-filter over time. The color of the filter will change as particulates build up on the pre-filter. Change the pre-filter when you can see the particulate build up start to clog up the pre-filter.

#### HEPA Filter:

As the HEPA filter captures particulates, it will darken over time. Replace the HEPA filter when it darkens to the level seen in example D.

A. New



B. Used



C. Used



D. Replace



#### Inner Carbon Filter:

The inner carbon filter will rarely look used. This filter captures odors and gasses, yet the filter's appearance will not change. When this filter has reached its maximum adsorbency of odors and gasses, it will no longer work. Replace this filter when it no longer seems to capture odors, or every 3 months (12 months for optional Carbon Canister), whichever occurs first.

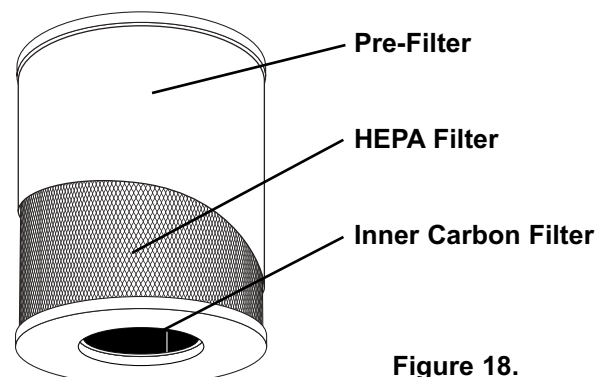



Figure 18.

## Dealer Filter Change Instructions - 2500HV, 4000HV & 6000V

	<b>⚠ WARNING</b>
	<b>Electrical Shock Hazard.</b>
	Can cause injury or death. Disconnect all electrical power supplies before servicing. Do not operate equipment without access panels in place

<b>⚠ CAUTION</b>
<b>Risk of Sharp Edges Hazard.</b>
Equipment sharp edges can cause injuries. Avoid grasping equipment edges without protective gloves.

**It is recommended that gloves and a filtered breathing mask be worn during filter replacement to avoid breathing particulates (dust, mold, pollen, etc.) captured on the filter that become airborne during the filter(s) changeout.**

**The old filters should be wrapped and sealed in plastic bags immediately upon removal from the unit to avoid distributing particles throughout the house during the process of disposal.**

### 1. Accessing the filters

- Remove safety screw(s) from HEPA filter access panel.
- For 2500HV or 4000HV, unlatch the three retaining clips and lift off HEPA filter access panel.  
For 6000V, pull the HEPA filter access panel up by the finger tabs and lift out to remove.
- Bracing the unit so it does not move, turn the HEPA cartridge counter-clockwise and lift/pull out.

### 2. Pre-filter Replacement

- Pull the pre-filter up and off the unit.  
*NOTE: The pre-filter may contain contaminants, remove it slowly to avoid releasing particles back into the air.*
- Foam pre-filters can be washed several times, wash by hand in warm water. Let it dry completely before placing it back onto the HEPA cartridge.
- If replacing the filter, remove plastic shrink wrap from the new pre-filter.
- Stretch the new/washed filter around the top of the HEPA cartridge and slide it down into place

### 3. Inner Carbon Filter Replacement

- Look inside the HEPA cartridge to locate the two ends of the inner carbon filter.
- Pull one end of the old inner carbon filter in and bend it into a loose roll so it can be removed.

- Remove the inner carbon filter from the HEPA cartridge.
- Remove plastic shrink wrap from the new inner carbon filter.
- Unroll the inner carbon filter and roll it up in the opposite direction (this makes the filter follow a more contoured profile against the inner HEPA filter surfaces and helps keep it in place), place the rolled inner carbon filter inside the HEPA cartridge and gently unroll it until the ends 'butt' together and the filter is snug against the HEPA filter.

### 4. HEPA Filter Replacement

- If replacing the HEPA filter with a new filter, discard old HEPA filter and use new when replacing the HEPA filter into the unit.
- With each annual filter replacement kit, a new 'o' ring is provided. The old one is removed by pinching it between two fingers and pulling it off the collar on the blower deck.
- Discard old 'o' ring.
- Place the new 'o' ring onto the collar and slide it down to the base of the blower deck.

### 5. Optional Carbon Canister

- Remove old carbon canister (if installed) by pulling it out from the inside of the HEPA filter.
- If replacing an inner carbon filter with the carbon canister, remove inner carbon filter by following the steps a. to c. in section 3.
- Remove the plastic shrink wrap from the new carbon canister.
- Slide the carbon canister into the HEPA cartridge, smaller end first. The carbon canister should slide all the way in until the metal edges at the base meet the HEPA filter.
- Support the carbon canister with your fingers so it does not slide out when replacing the HEPA cartridge assembly into the unit.

### 7. Installing the HEPA Filter Cartridge

- With the filters changed or inspected, all 3 filters are ready to be placed back into the unit. Place the HEPA cartridge gently into the unit (if a carbon canister is being used, take care not to let it slide out as it is heavy and could damage the unit)
- When the HEPA cartridge is in place, brace the unit, press down and gently turn it clockwise to lock it into place. If too much force is used, the cartridge may be difficult to remove!
- Replace the HEPA filter access panel.  
For 4000HV, latch it with the three retaining clips.
- Re-install safety screw(s) into HEPA filter access panel.
- Plug the unit back into a power outflow and turn it on.





**⚠ WARNING**

**Electrical Shock Hazard.**

Can cause injury or death.

Disconnect all electrical power supplies before servicing.

Do not operate equipment without access panels in place

**⚠ CAUTION**

**Risk of Sharp Edges Hazard.**

Equipment sharp edges can cause injuries.

Avoid grasping equipment edges without protective gloves.

**It is recommended that gloves and a filtered breathing mask be worn during filter replacement to avoid breathing particulates (dust, mold, pollen, etc.) captured on the filter that become airborne during the filter(s) changeout.**

**The old filters should be wrapped and sealed in plastic bags immediately upon removal from the unit to avoid distributing particles throughout the house during the process of disposal.**

**1. Accessing the filters**

- a. Remove safety screw(s) from HEPA filter access panel.
- b. Pull the HEPA filter access panel up by the finger tabs and lift out to remove.
- c. Lift the filter retaining rod out from the two clips holding it into position (some force may be necessary as it is a tight fit to ensure complete seal), ensure that pressure is kept on the filter cap as it is the only thing keeping the HEPA cartridge in place.
- d. With the retaining rod removed, pull the HEPA cartridge and filter cap out of the unit.

**2. Pre-filter Replacement**

- a. Locate the clips holding the pre-filter in place. Remove them and pull the pre-filter off.  
*NOTE: The pre-filter may contain contaminants, remove it slowly to avoid releasing particles back into the air.*
- b. Remove plastic shrink wrap from the new pre-filter.
- c. Wrap the new pre-filter around the HEPA filter, making sure that the ends overlap.
- d. With the clips provided with the new pre-filter, secure the pre-filter ends together tightly so it keeps the pre-filter secure against to the HEPA filter.
- e. Be sure that all clips are in place.

**3. Inner Carbon Filter Replacement**

- a. Look inside the HEPA cartridge to locate the two ends of the inner carbon filter.
- b. Pull one end of the old inner carbon filter in and bend it into a loose roll so it can be removed.
- c. Remove the inner carbon filter from the HEPA cartridge.
- d. Remove plastic shrink wrap from the new inner carbon filter.
- e. Unroll the inner carbon filter and roll it up in the opposite direction (this makes the filter follow a more contoured profile against the inner HEPA filter surfaces and helps keep it in place), place the rolled inner carbon filter inside the HEPA cartridge and gently unroll it until the ends 'butt' together and the filter is snug against the HEPA filter screen.

**4. HEPA Filter Replacement**

- a. If replacing the HEPA filter with a new filter, discard old HEPA filter and use new when replacing the HEPA filter into the unit.

**5. Optional Carbon Canister**

- a. Remove old carbon canister (if installed) by pulling it out from the inside of the HEPA filter.
- b. If replacing an inner carbon filter with the carbon canister, remove inner carbon filter by following the steps a. to c. in section 3.
- c. Remove the plastic shrink wrap from the new carbon canister.
- d. Slide the carbon canister into the HEPA cartridge. The carbon canister should slide all the way in meeting the edges of the HEPA cartridge evenly on both ends.
- e. Keep the HEPA cartridge horizontal and support it with your fingers to keep it from sliding out when replacing the HEPA cartridge back into the unit.

**7. Installing the HEPA Filter Cartridge**

- a. With the filters changed or inspected, all 3 filters are ready to be placed back into the unit. Place the HEPA cartridge gently into the unit (if a carbon canister is being used, take care not to let it slide out as it is heavy and could damage the unit)
- b. When the HEPA cartridge is in place, place the filter cap onto the HEPA cartridge and replace the filter retaining rod by sliding it into its two clips. (some force may be necessary as it is a tight fit to ensure complete seal)
- c. Replace the HEPA filter access panel.
- d. Re-install safety screw(s) into HEPA filter access panel.
- e. Plug the unit back into a power outflow and turn it on.

## Dealer Motor Assembly Replacement Instructions

### ⚠️ WARNING

#### Electrical Shock Hazard.

Can cause injury or death.

Disconnect all electrical power supplies before servicing.

Do not operate equipment without access panels in place

Do not use this fan with any solid-state speed control device



### ⚠️ CAUTION

#### Risk of Sharp Edges Hazard.

Equipment sharp edges can cause injuries.

Avoid grasping equipment edges without protective gloves.

#### 1. Accessing the motor assembly

- Turn the unit off and unplug it from any electrical source before opening the cabinet.
- Remove the safety screw(s) from the motor section access panel.
- Lift the door up by the finger tabs and pull out to remove it from the unit.

#### 2. Removing the old motor assembly

- Disconnect all four motor wires from switch, ground post and capacitor.
- Disconnect the two white wires from the capacitor.
- Separate the motor from the motor mount by removing the four screws found in figure 13.
- Slide the motor out from under the motor mount to remove it from the unit.

#### 3. Installing the new motor assembly

- Slide the new motor into the motor mount making sure that the wires go through the smaller hole off-set from the center of the bracket.
- Secure the new motor to the motor mount with the four screws removed in step 2c.
- Connect the wires as follows:
  - Blue wire from motor to the on/off switch.
  - Yellow/green wire from motor to the ground post.
  - Brown wire from the motor to a capacitor post.
  - Black wire from the motor to the other capacitor post.
  - White wire from the on/off switch to the capacitor via the black wire piggyback post.
  - White wire from the power cord to the capacitor via the other white wire's piggyback post.

#### 4. Closing the unit

- Replace the motor section access panel and secure it with the eight screws removed in step 1b.
- Plug the unit into it's electrical source and turn it on.

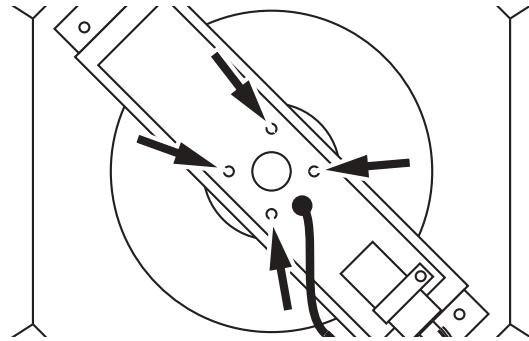


Figure 19.

## Electrical Diagram

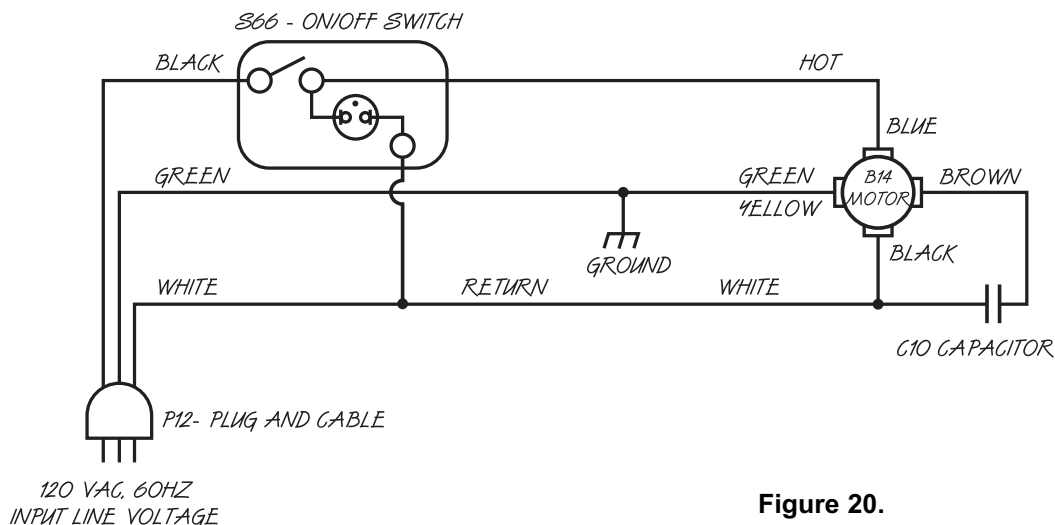


Figure 20.

## Replacement Parts

<b>Replacement Parts for 2500HV &amp; 4000HV (Qty.)</b>	<b>Canadian</b>	<b>U.S.</b>	<b>International</b>
Complete Filter Kit - 2500HV (1 Pre-filter, 1 HEPA, 1 Carbon)	9100723709	9101723709	9101723709
Complete Filter Kit - 4000HV (1 Pre-filter, 1 HEPA, 1 Carbon)	9100443709	9101443709	9101443709
Annual Filter Kit - 2500HV( 1 Pre-filter, 2 Carbon)	94002061	94012061	94012061
Annual Filter Kit - 4000HV( 1 Pre-filter, 2 Carbon)	94004061	94014061	94014061
Motor Assembly (120V)	99001200	99011200	99011200
Motor Assembly (220V)	99002800	99012800	99012800
HEPA Filter Cartridge - 2500HV	90002287	90012287	90012287
HEPA Filter Cartridge - 4000HV	90004487	90014487	90014487
Pre-Filter - 2500HV (Foam)	92002-31	92012-31	92012-31
Pre-Filter - 4000HV (Foam)	92004-31	92014-31	92014-31
Carbon Filter - 2500HV	93007-21	93017-21	93017-21
Carbon Filter - 4000HV	93004-21	93014-21	93014-21
Carbon Canister - 2500HV - 100% Carbon (1)	95007-5	95017-5	95017-5
Carbon Canister - 4000HV - 100% Carbon (1)	95004-5	95014-5	95014-5
Carbon/Zeolite Canister - 2500HV - 60% Carbon/40% Zeolite (1)	95007-6	95017-6	95017-6
Carbon/Zeolite Canister - 4000HV - 60% Carbon/40% Zeolite (1)	95004-6	95014-6	95014-6

<b>Replacement Parts for 6000V (Qty.)</b>	<b>Canadian</b>	<b>U.S.</b>	<b>International</b>
Complete Filter Kit (1 Pre-filter, 1 HEPA, 1 Carbon)	9100443709	9101443709	9101443709
Annual Filter Kit ( 1 Pre-filter, 2 Carbon)	94004061	94014061	94014061
Motor Assembly (120V)	99002400	99012400	99012400
Motor Assembly (220V)	99003000	99013000	99013000
HEPA Filter Cartridge	90004487	90014487	90014487
Pre-Filter (Foam)	92004-31	92014-31	92014-31
Carbon Filter	93004-21	93014-21	92014-21
Carbon Canister - 100% Carbon (1)	95004-5	95014-5	95014-5
Carbon/Zeolite Canister - 60% Carbon/40% Zeolite (1)	95004-6	95014-6	95014-6

<b>Replacement Parts for 6500, 8500 &amp; 10,000 (Qty.)</b>	<b>Canadian</b>	<b>U.S.</b>	<b>International</b>
Complete Filter Kit (3 Pre-filters, 3 HEPA, 3 Carbon)	9100640608	9101640608	9101640608
Filter Replacement Kit (6 Pre-filters, 3 Carbon)	94006021	94016021	94016021
Motor Assembly - 6500 (120V) (1)	99002500	99012500	99012500
Motor Assembly - 6500 (220V) (1)	99003100	99013100	99013100
Motor Assembly - 8500 (120V) (1)	99002600	99012600	99012600
Motor Assembly - 8500 (220V) (1)	99003200	99013200	99013200
Motor Assembly - 10,000 (120V) (1)	99002700	99012700	99012700
Motor Assembly - 10,000 (220V) (1)	99003300	99013300	99013300
HEPA Filter Cartridge - 6500/8500 (1)	90006406	90016406	90016406
HEPA Filter Cartridge - 10,000 (1)	90006506	99016506	99016506
Pre-Filter (1)	92005-11	92015-11	92015-11
Carbon Filter (1)	93005-21	93015-21	93015-21
Carbon Canister - 100% Carbon (1)	95006-5	95016-5	95016-5
Carbon/Zeolite Canister - 60% Carbon/40% Zeolite (1)	95006-6	95016-6	95016-6

Use this unit only in the manner intended by the manufacturer. If you have questions, contact Amaircare.

Contact your local Amaircare dealer to order replacement parts.

For the Amaircare dealer near you, dial 1-800-268-7732 or visit us at [www.amaircare.com](http://www.amaircare.com)



## Free Manuals Download Website

<http://myh66.com>

<http://usermanuals.us>

<http://www.somanuals.com>

<http://www.4manuals.cc>

<http://www.manual-lib.com>

<http://www.404manual.com>

<http://www.luxmanual.com>

<http://aubethermostatmanual.com>

Golf course search by state

<http://golfingnear.com>

Email search by domain

<http://emailbydomain.com>

Auto manuals search

<http://auto.somanuals.com>

TV manuals search

<http://tv.somanuals.com>