

ML-130 II (HSI) Installation Manual

WARNING: For your safety the information in this manual must be followed to minimize the risk of fire or explosion or to prevent property damage, personal injury or death.

— Do not store or use gasoline or other flammable vapor and liquids in the vicinity of this or any other appliance.

— WHAT DO YOU DO IF YOU SMELL GAS

- * Do not try to light any appliance.
- * Do not touch any electrical switch; do not use any phone in your building.
- * Clear the room, building or area of all occupants.
- * Immediately call your gas supplier from a neighbor's phone. Follow the gas supplier's instructions.
- * If you cannot reach your gas supplier, call the fire department.

— Installation and service must be performed by a qualified installer, service agency or the gas supplier.

AVERTISSEMENT: Assurez-vous de bien suivre les instructions données dans cette notice pour réduire au minimum le risque d'incendie ou d'explosion ou pour éviter tout dommage matériel, toute blessure ou la mort.

— Ne pas entreposer ni utiliser d'essence ni d'autres vapeurs ou liquides inflammables dans le voisinage de cet appareil ou de tout autre appareil.

— QUE FAIRE SI VOUS SENTEZ UNE ODEUR DE GAZ:

- * Ne pas tenter d'allumer d'appareil.
- * Ne touchez à aucun interrupteur. Ne pas vous servir des téléphones se trouvant dans le bâtiment où vous vous trouvez.
- * Évacuez la pièce, le bâtiment ou la zone.
- * Appelez immédiatement votre fournisseur de gaz depuis un voisin. Suivez les instructions du fournisseur.
- * Si vous ne pouvez rejoindre le fournisseur de gaz, appelez le service des incendies.

— L'installation et l'entretien doivent être assurés par un installateur ou un service d'entretien qualifié ou par le fournisseur de gaz.



For replacement parts, contact the reseller from which the dryer was purchased or

American Dryer Corporation

88 Currant Road

Fall River MA 02720-4781

Telephone: (508) 678-9000 / Fax: (508) 678-9447

E-mail: techsupport@amdry.com

www.amdry.com

Retain This Manual In A Safe Place For Future Reference

American Dryer Corporation products embody advanced concepts in engineering, design, and safety. If this product is properly maintained, it will provide many years of safe, efficient, and trouble-free operation.

ONLY qualified technicians should service this equipment.

OBSERVE ALL SAFETY PRECAUTIONS displayed on the equipment or specified in the installation manual included with the dryer.

The following “**FOR YOUR SAFETY**” caution **must be** posted near the dryer in a prominent location.

FOR YOUR SAFETY

Do not store or use gasoline or other flammable vapors or liquids in the vicinity of this or any other appliance.

POUR VOTRE SÉCURITÉ

Ne pas entreposer ni utiliser d'essence ni d'autres vapeurs ou liquides inflammables dans le voisinage de cet appareil ou de tout autre appareil.

We have tried to make this manual as complete as possible and hope you will find it useful. **ADC** reserves the right to make changes from time to time, without notice or obligation, in prices, specifications, colors, and material, and to change or discontinue models. The illustrations included in this manual may not depict your particular dryer **exactly**.

Important

For your convenience, log the following information:

DATE OF PURCHASE _____ MODEL NO. **ML-130 II** _____

RESELLER'S NAME _____

Serial Number(s) _____

Replacement parts can be obtained from your reseller or the **ADC** factory. When ordering replacement parts from the factory, you can FAX your order to **ADC** at (508) 678-9447 or telephone your order directly to the **ADC** Parts Department at (508) 678-9000. Please specify the dryer **model number** and **serial number** in addition to the **description** and **part number**, so that your order is processed accurately and promptly.

“IMPORTANT NOTE TO PURCHASER”

Information **must be** obtained from your local gas supplier on the instructions to be followed if the user smells gas. These instructions **must be** posted in a prominent location near the dryer.

IMPORTANT

YOU MUST DISCONNECT AND LOCKOUT THE ELECTRIC SUPPLY AND THE GAS SUPPLY OR THE STEAM SUPPLY BEFORE ANY COVERS OR GUARDS ARE REMOVED FROM THE MACHINE TO ALLOW ACCESS FOR CLEANING, ADJUSTING, INSTALLATION, OR TESTING OF ANY EQUIPMENT PER OSHA (Occupational Safety and Health Administration) STANDARDS.

“Caution: Label all wires prior to disconnection when servicing controls. Wiring errors can cause improper operation.”

«Attention: Lor des opérations d’entretien des commandes étiqueter tous fils avant de les déconnecter. Toute erreur de câblage peut être une source de danger et de panne.»

CAUTION

DRYERS SHOULD NEVER BE LEFT UNATTENDED WHILE IN OPERATION.

WARNING

**CHILDREN SHOULD NOT BE ALLOWED TO PLAY ON OR NEAR THE DRYER(S).
CHILDREN SHOULD BE SUPERVISED IF NEAR DRYERS IN OPERATION.**

FOR YOUR SAFETY

**DO NOT DRY MOP HEADS IN THE DRYER.
DO NOT USE DRYER IN THE PRESENCE OF DRY CLEANING FUMES.**

WARNING

UNDER NO CIRCUMSTANCES should the dryer door switch, lint drawer switch, heat safety circuits ever be disabled.

WARNING

The dryer *must never be* operated with any of the back guards, outer tops, or service panels removed. **PERSONAL INJURY OR FIRE COULD RESULT.**

WARNING

DRYER MUST NEVER BE OPERATED WITHOUT THE LINT FILTER/SCREEN IN PLACE, EVEN IF AN EXTERNAL LINT COLLECTION SYSTEM IS USED.

IMPORTANT

PLEASE OBSERVE ALL SAFETY PRECAUTIONS displayed on the equipment and/or specified in the installation manual included with the dryer.

Dryers *must not be* installed or stored in an area where it **will be** exposed to water or weather.

The wiring diagram for the dryer is located in the front electrical control box area.

Table of Contents

SECTION I

IMPORTANT INFORMATION 3

- A. Receiving and Handling 3
- B. Safety Precautions 4

SECTION II

SPECIFICATIONS/COMPONENT IDENTIFICATION 6

- A. Specifications 6
- B. Component Identification 8

SECTION III

INSTALLATION PROCEDURES 10

- A. Location Requirements 10
- B. Unpacking/Setting Up 11
- C. Dryer Enclosure Requirements 14
- D. Fresh Air Supply Requirements 15
- E. Exhaust Requirements 16
- F. Electrical Information 22
- G. Gas Information 28
- H. Steam Information 32
- I. Preparation For Operation 36
- J. Preoperational Tests 37
- K. Shut Down Instructions 39
- L. Operating Instructions 39

SECTION IV

SERVICE/PARTS INFORMATION 41

- A. Service 41
- B. Parts 41

SECTION V

WARRANTY INFORMATION 42

- A. Returning Warranty Cards 42
- B. Warranty 42
- C. Returning Warranty Parts 42

SECTION VI	
ROUTINE MAINTENANCE	44
A. Cleaning	44
B. Adjustments	46
C. Lubrication	46
SECTION VII	
DATA LABEL INFORMATION.....	47
A. Data Label	47
SECTION VIII	
REVERSING TIMER SPIN/DWELL ADJUSTMENTS.....	49
SECTION IX	
PROCEDURE FOR FUNCTIONAL CHECK OF REPLACEMENT	
COMPONENTS	50
SECTION X	
BURNER AND BASKET (TUMBLER)/LINT CHAMBER	
MANUAL RESET HI-LIMIT INSTRUCTIONS	53
Gas Models Only	53
Electric or Steam Models Only	54

SECTION I

IMPORTANT INFORMATION

A. RECEIVING AND HANDLING

The dryer is shipped in a protective stretch wrap cover with protective cardboard corners and top cover (or optional box) as a means of preventing damage in transit. Upon delivery, the dryer and/or packaging, and wooden skid **should be** visually inspected for shipping damage. If any damage whatsoever is noticed, inspect further before delivering carrier leaves.

Dryers damaged in shipment:

1. **ALL** dryers **should be** inspected upon receipt and before they are signed for.
2. If there is suspected damage or actual damage, the trucker's receipt **should be** so noted.
3. If the dryer is damaged beyond repair, it **should be** refused. Those dryers, which were not damaged in a damaged shipment, **should be** accepted, but the number received and the number refused **must be** noted on the receipt.
4. If you determine that the dryer was damaged after the trucker has left your location, you should call the delivering carrier's freight terminal immediately and file a claim. The freight company considers this concealed damage. This type of freight claim is very difficult to get paid and becomes extremely difficult when more than a day or two passes after the freight was delivered. It is your responsibility to file freight claims. Dryer/parts damaged in transit **cannot** be claimed under warranty.
5. Freight claims are the responsibility of the consignee, and **ALL** claims **must be** filed at the receiving end. **ADC** assumes no responsibility for freight claims or damages.
6. If you need assistance in handling the situation, please contact the **ADC** Traffic Manager at (508) 678-9000.

IMPORTANT: The dryer *must be* transported and handled in an upright position at **ALL** times.

B. SAFETY PRECAUTIONS

WARNING: For your safety, the information in this manual *must be* followed to minimize the risk of fire or explosion or to prevent property damage, personal injury, or loss of life.

WARNING: The dryer *must never be* operated with any of the back guards, outer tops, or service panels removed. **PERSONAL INJURY OR FIRE COULD RESULT.**

1. **DO NOT** store or use gasoline or other flammable vapors and liquids in the vicinity of this or any other appliance.
2. Purchaser/user should consult the local gas supplier for proper instructions to be followed in the event the user smells gas. The instructions **should be** posted in a prominent location.
3. WHAT TO DO IF YOU SMELL GAS...
 - a. **DO NOT** try to light any appliance.
 - b. **DO NOT** touch any electrical switch.
 - c. **DO NOT** use any phone in your building.
 - d. Clear the room, building, or area of **ALL** occupants.
 - e. Immediately call your gas supplier from a neighbor's phone. Follow the gas supplier's instructions.
 - f. If you **cannot** reach your gas supplier, call the fire department.
4. Installation and service **must be** performed by a qualified installer, service agency, or gas supplier.
5. Dryer(s) **must be** exhausted to the outdoors.
6. Although **ADC** produces a very versatile dryer, there are some articles that, due to fabric composition or cleaning method, **should not be** dried in it.

WARNING: Dry only water washed fabrics. **DO NOT** dry articles spotted or washed in dry cleaning solvents, a combustible detergent, or "all purpose" cleaner.
EXPLOSION COULD RESULT.

WARNING: **DO NOT** dry rags or articles coated or contaminated with gasoline, kerosene, oil, paint, or wax.
EXPLOSION COULD RESULT.

WARNING: **DO NOT** dry mop heads. Contamination by wax or flammable solvents will create a fire hazard.

WARNING: *DO NOT* use heat for drying articles that contain plastic, foam, sponge rubber, or similarly textured rubber materials. Drying in a heated basket (tumbler) may damage plastics or rubber and may be a fire hazard.

7. A program **should be** established for the inspection and cleaning of lint in the heating unit area, exhaust ductwork, and inside the dryer. The frequency of inspection and cleaning can best be determined from experience at each location.

WARNING: The collection of lint in the burner area and exhaust ductwork can create a potential fire hazard.

8. For personal safety, the dryer **must be** electrically grounded in accordance with local codes and/or the National Electrical Code ANSI/NFPA NO. 70-LATEST EDITION, or in Canada, the Canadian Electrical Codes Parts 1 & 2 CSA C22.1-1990 or LATEST EDITION.

NOTE: Failure to do so will VOID THE WARRANTY.

9. UNDER NO CIRCUMSTANCES should the dryer door switch, lint drawer switch, heat safety circuits ever be disabled.

WARNING: PERSONAL INJURY OR FIRE COULD RESULT.

10. This dryer is not to be used in the presence of dry cleaning solvents or fumes.
11. Remove articles from the dryer as soon as the drying cycle has been completed.

WARNING: Articles left in the dryer after the drying and cooling cycles have been completed can create a fire hazard.

12. **DO NOT** operate steam dryers with more than 125 PSI (8.61 bars) steam pressure. Excessive steam pressure can damage steam coil and/or harm personnel.
13. Replace leaking flexible hoses or other steam fixtures immediately. **DO NOT** operate the dryer with leaking flexible hoses. **PERSONAL INJURY MAY RESULT.**
14. **READ AND FOLLOW ALL CAUTION AND DIRECTION LABELS ATTACHED TO THE DRYER.**
15. For safety, proper operation, and optimum performance, the dryer **must not be** operated with a load less than than sixty-six percent (66%), 85 lbs (38 kg) of its rated capacity.

WARNING: YOU MUST DISCONNECT AND LOCKOUT THE ELECTRIC SUPPLY AND THE GAS SUPPLY OR THE STEAM SUPPLY BEFORE ANY COVERS OR GUARDS ARE REMOVED FROM THE MACHINE TO ALLOW ACCESS FOR CLEANING, ADJUSTING, INSTALLATION, OR TESTING OF ANY EQUIPMENT PER OSHA (Occupational Safety and Health Administration) STANDARDS.

SECTION II

SPECIFICATIONS/COMPONENT IDENTIFICATION

A. SPECIFICATIONS

MAXIMUM CAPACITY (DRY WEIGHT)		130 lbs.	60 kg			
BASKET (TUMBLER) DIAMETER		44-1/2"	113 cm			
BASKET (TUMBLER) DEPTH		42-1/2"	107.9 cm			
BASKET (TUMBLER) MOTOR		3/4 HP	0.560 kw			
BLOWER MOTOR		3 HP	2.238 kw			
DOOR OPENING (DIAMETER)		31-3/8"	79.7 cm			
BASKET (TUMBLER) VOLUME		38.2 cu. ft.	1.08 cu. m.			
DRYERS PER 20'/40' CONTAINER		3/7				
DRYERS PER 45'/48' TRUCK		9/9				
Gas	VOLTAGE AVAILABLE		208-460v 3ø 3, 4w 50/60 Hz			
	HEAT INPUT		375,000 btu/hr	94,500 kcal/hr		
	APPROX. WEIGHT (UNCRATED)		1,500 lbs.	680.4 kg		
	APPROX. WEIGHT (CRATED)		1,725 lbs.	782.5 kg		
	AIRFLOW		2,150 cfm	60.88 cmm		
	INLET SIZE		1"			
Electric	VOLTAGE AVAILABLE		208-600v 3ø 3, 4w 50/60 Hz			
			OVEN SIZE			
			kw	btu/hr	kcal/hr	AIRFLOW
			72	246,150	61,982	2,150 cfm 60.88 cmm
			80	273,500	68,869	2,150 cfm 60.88 cmm
Steam	VOLTAGE AVAILABLE		208-460v 3ø 3, 4w 50/60 Hz			
	APPROX. WEIGHT (UNCRATED)		1,650 lbs.	748.4 kg		
	APPROX. WEIGHT (CRATED)		1,875 lbs.	850.5 kg		
	HEAT INPUT		13 Bhp			
	STEAM CONSUMPTION		450 lbs./hr	202.2 kg/hr		
	AIRFLOW		2,150 cfm	60.88 cmm		
	SUPPLY CONNECTION		1-1/4"			
	RETURN CONNECTION		1-1/4"			
	COMPRESSED AIR CONNECTION		1/8" N.P.T.			
COMPRESSED AIR VOLUME		0.75 cfh	0.02 cmh			

Shaded areas are stated in metric equivalents

IMPORTANT: Steam dryers *must be* provided with a clean, dry, and regulated 80 PSI +/- 10 PSI (5.51 bars +/- 0.68 bars) air supply.

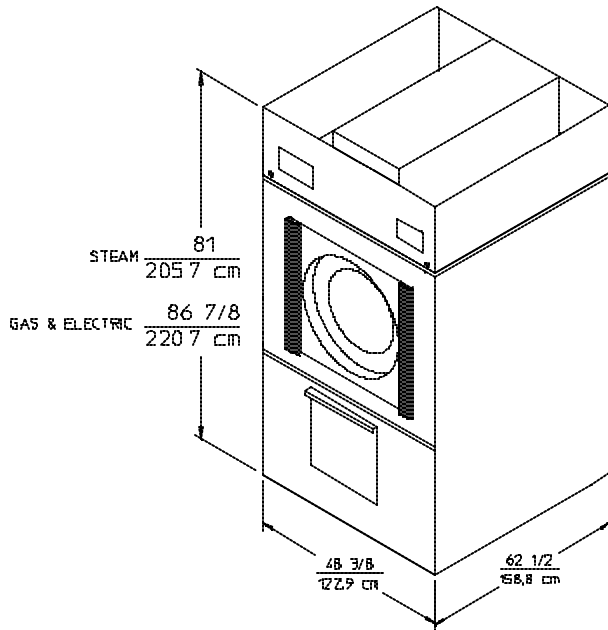
NOTE: ADC reserves the right to make changes in specifications at anytime without notice or obligation

Specifications

MLG-130 II (GAS)

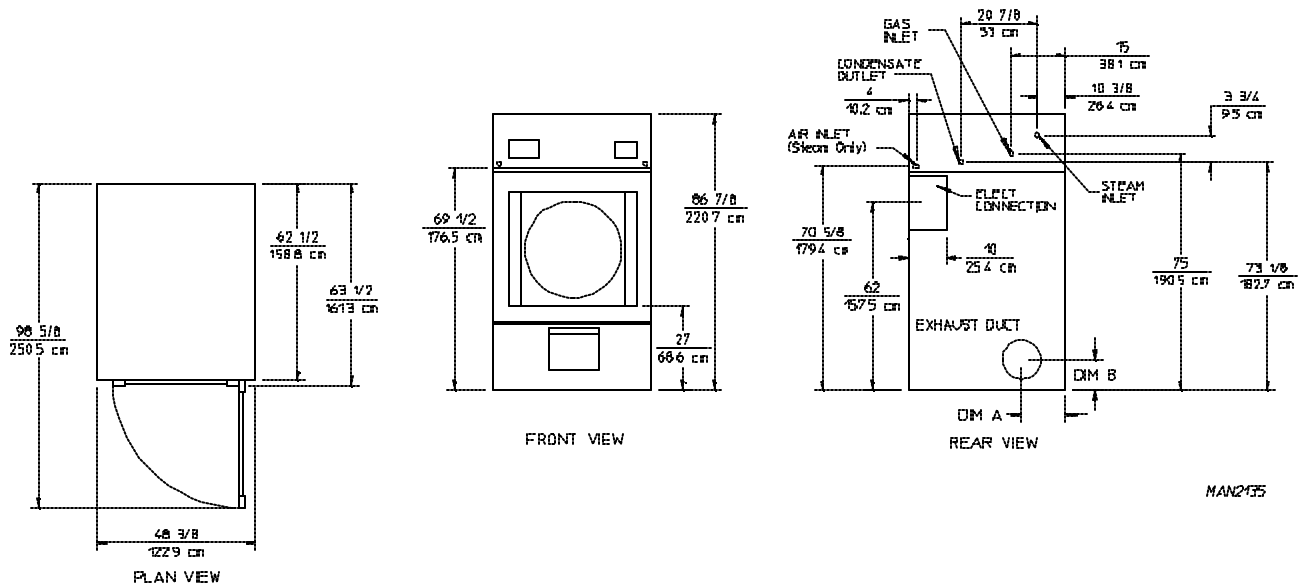
MLE-130 II (ELECTRIC)

MLS-130 II (STEAM)



NOTE: Operating height of steam dryer is 89-inches (226.1 cm).

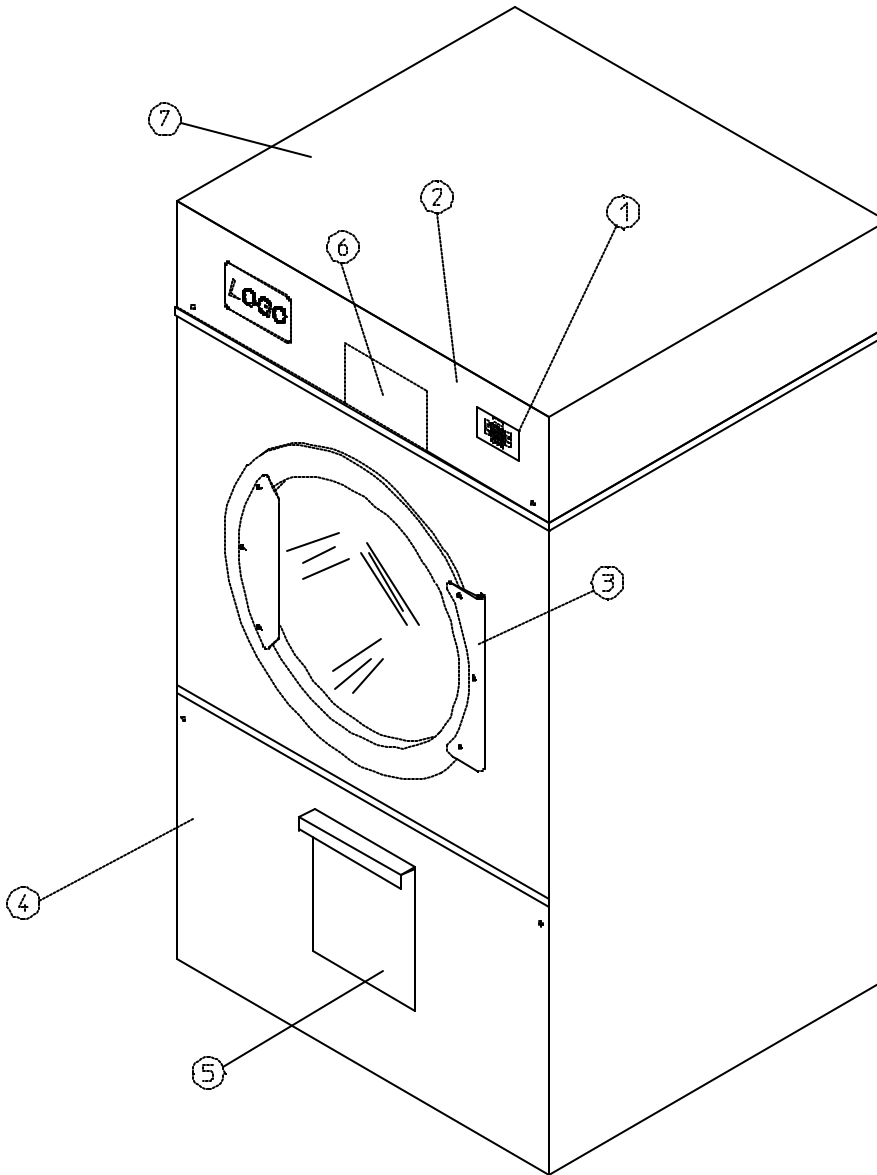
	EXHAUST DUCT DIA.	DIM. "A"	DIM. "B"
GAS AND ELECTRIC	14"	11-1/4"	9-1/2"
	35.5 cm	28.6 cm	24.1 cm
STEAM	16"	9"	9"
	40.6 cm	22.9 cm	22.9 cm



NOTE: ADC reserves the right to make changes in specifications at any time without notice or obligation.

B. COMPONENT IDENTIFICATION

1. Dryer Front View

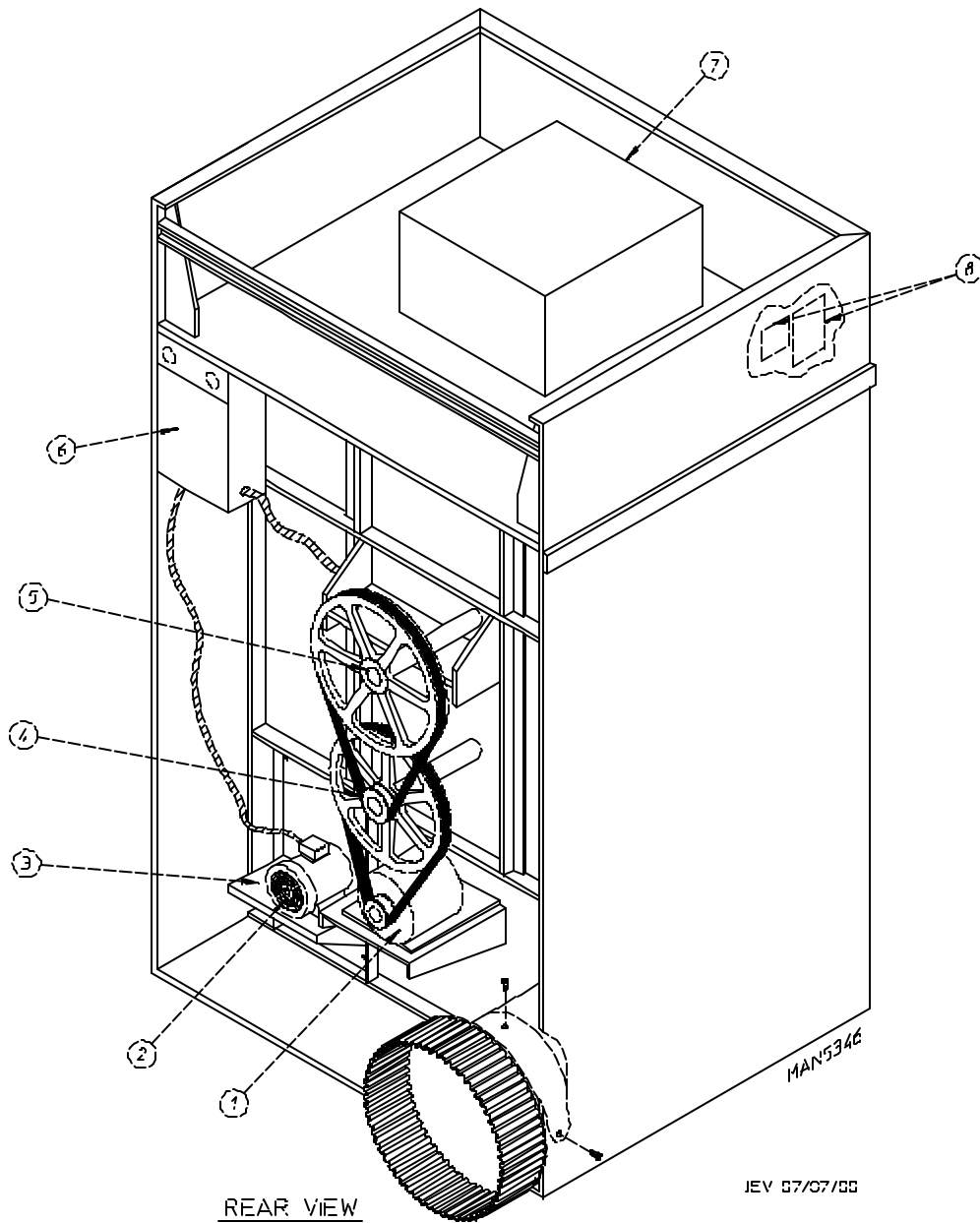


DX 06/13/01

MAN5810

<u>Illus. No.</u>	<u>Description</u>
1	Microprocessor Control/Keyboard (touch pad) Panel Assembly (controls)
2	Control (top access) Door Assembly
3	Main Door Assembly
4	Lint Door Assembly
5	Lint Drawer
6	Wire Diagram (located behind control door)
7	Top Console (module) Assembly

2. Dryer Rear View



<u>Illus. No.</u>	<u>Description</u>
1	Basket (tumbler) Drive Motor Assembly
2	Blower Motor Mount Assembly
3	Impellor (fan/blower) Assembly
4	Idler Bearing Mount Assembly
5	Basket (tumbler) Bearing Mount Assembly
6*	Electric Service Relay Box
7	Heating Unit
8	Data Label and Installation Label

* Electric service connections are made in this box.

SECTION III

INSTALLATION PROCEDURES

Installation **should be** performed by competent technicians in accordance with local and state codes. In the absence of these codes, the installation **must conform** to applicable American National Standards: ANSI Z223.1-LATEST EDITION (National Fuel Gas Code) or ANSI/NFPA NO. 70-LATEST EDITION (National Electrical Code) or in Canada, the installation **must conform** to applicable Canadian Standards: CAN/CGA-B149.1-M91 (Natural Gas) or CAN/CGA-B149.2-M91 (Liquid Propane [L.P.] Gas) or LATEST EDITION (for General Installation and Gas Plumbing) or Canadian Electrical Codes Parts 1 & 2 CSA C22.1-1990 or LATEST EDITION (for Electrical Connections).

A. LOCATION REQUIREMENTS

Before installing the dryer, be sure the location conforms to local codes and ordinances. In the absence of such codes or ordinances the location **must conform** with the National Fuel Gas Code ANSI.Z223.1 LATEST EDITION, or in Canada, the installation **must conform** to applicable Canadian Standards: CAN/CGA-B149.1-M91 (Natural Gas) or CAN/CGA-B149.2-M91 (L.P. Gas) or LATEST EDITION (for General Installation and Gas Plumbing).

1. The dryer **must be** installed on a sound level floor capable of supporting its weight. Carpeting **must be** removed from the floor area that the dryer is to rest on.

IMPORTANT: “The dryer *must be* installed on noncombustible floors only.”

2. The dryer **must not be** installed or stored in an area where it will be exposed to water and/or weather.
3. The dryer is for use in noncombustible locations.
4. Provisions for adequate air supply **must be** provided as noted in this manual (refer to **Fresh Air Supply Requirements** in Section D).
5. Clearance provisions **must be** made from combustible construction as noted in this manual (refer to **Dryer Enclosure Requirements** in Section C).
6. Provisions **must be** made for adequate clearances for servicing and for operation as noted in this manual (refer to **Dryer Enclosure Requirements** in Section C).
7. Dryer **must be** exhausted to the outdoors as noted in this manual (refer to **Exhaust Requirements** Section E).
8. Dryer **must be** located in an area where correct exhaust venting can be achieved as noted in this manual (refer to **Exhaust Requirements** in Section E).

IMPORTANT: Dryer *should be* located where a minimum amount of exhaust duct will be necessary.

9. The dryer **must be** installed with a proper exhaust duct connection to the outside.
10. The dryer **must be** installed with provisions for adequate combustion and make-up air supply.

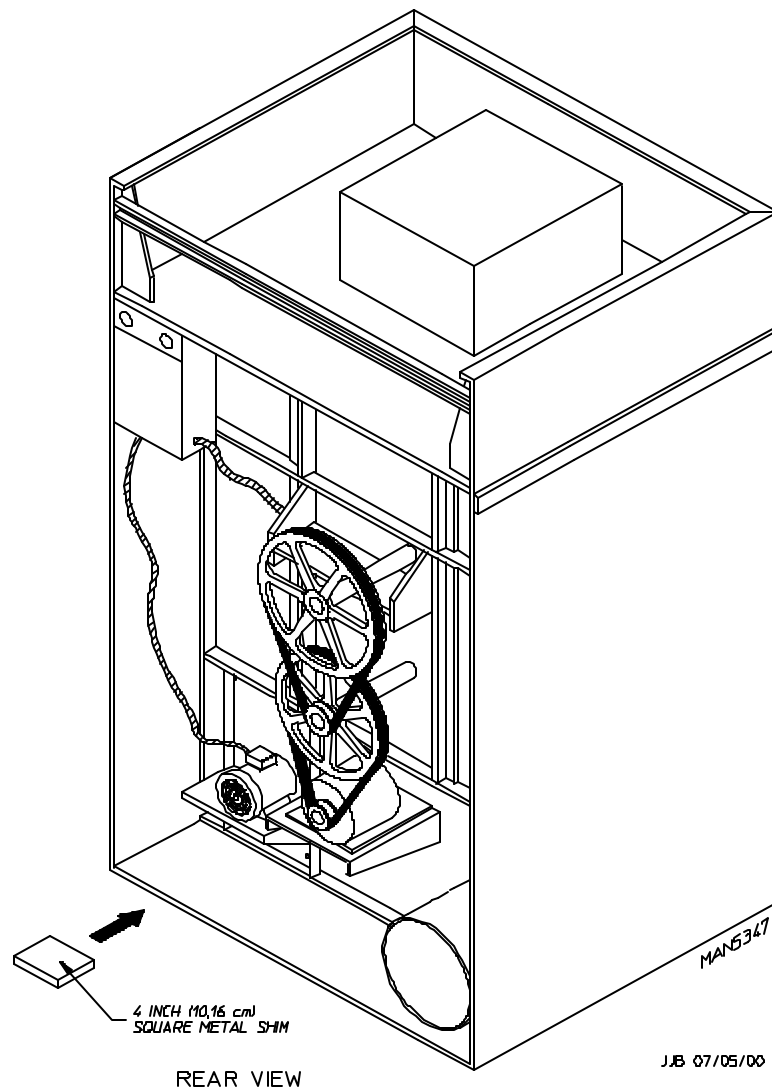
CAUTION: This dryer produces combustible lint and *must be* exhausted to the outdoors. Every 6 months, inspect the exhaust ducting and remove any lint build up.

B. UNPACKING/SETTING UP

Remove protective shipping material (i.e., plastic wrap, and/or optional shipping box) from dryer.

IMPORTANT: Dryer *must be* transported and handled in an upright position at ALL times.

The dryer can be moved to its final location while still attached to the skid or with the skid removed. To un-skid the dryer, locate and remove the four (4) lag bolts securing the base of the dryer to the wooden skid. Two (2) are located at the rear base (remove the back panel for access) and two (2) are located in the bottom of the lint chamber. To remove the two (2) lag bolts located in the lint chamber area, remove the lint drawer and the three (3) Phillips head screws securing lint door in place.



1. Leveling Dryer

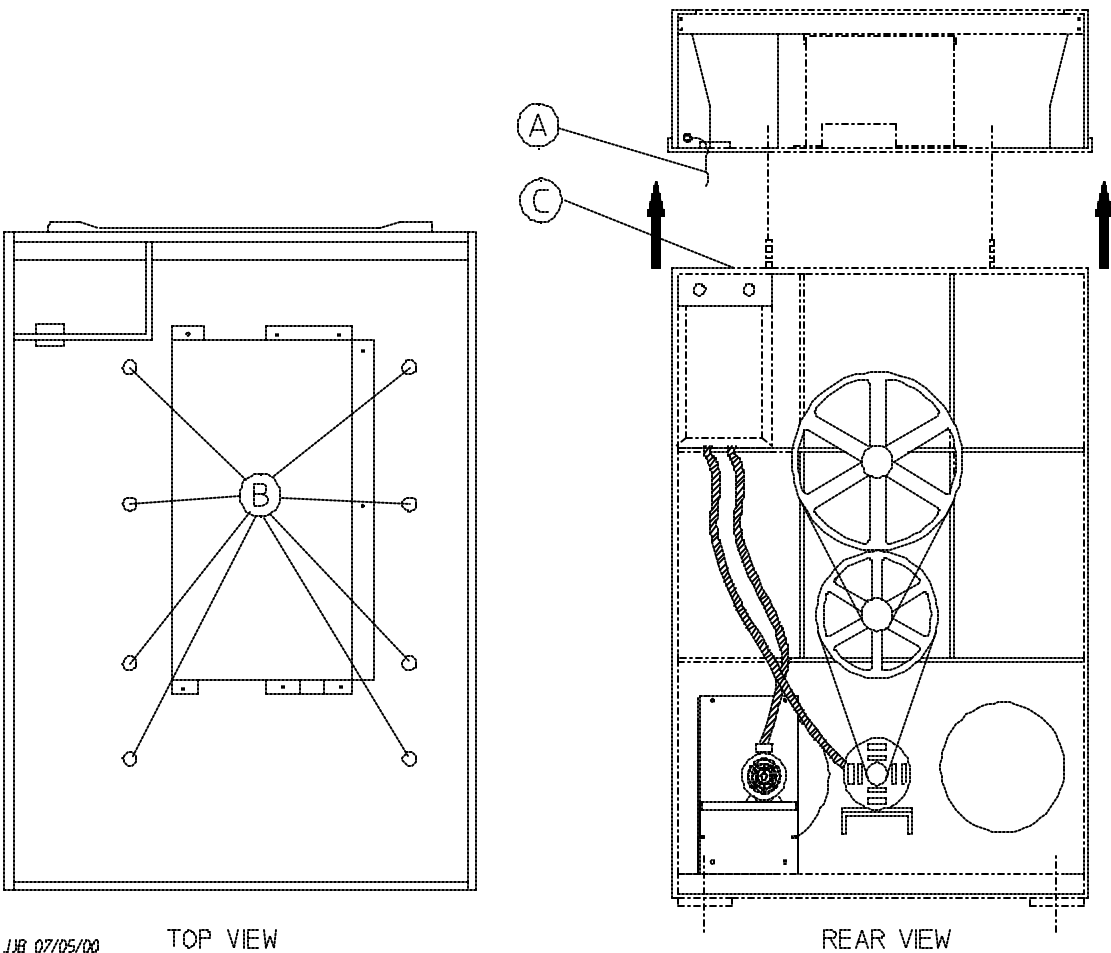
- a. To level dryer, place 4-inch (10.16 cm) square metal shims (refer to **illustration above**) or other suitable material under the base pads. It is suggested that the dryer be tilted slightly to the rear.

2. If more headroom is needed when moving dryer into position, the top console (module) may be removed.

a. To Remove Top Console (Module)

- 1) Disconnect the ground wire (A) at the rear upper left hand corner of dryer.
- 2) Remove the eight (8) sets of nuts and washers (B) holding the console (module) to base.
- 3) Open the control door/control panel and disconnect the white 15-pin plug connector (C) (**illustration below**) located in the base of the control box.
- 4) Disconnect white plug connector located outside backside of the control box (provides power to heat circuit).
- 5) Lift the console (module) off the dryer base.

IMPORTANT: The dryer *must be* transported and handled in an upright position at **ALL** times.



3. Exhaust Transition Piece (Gas and Electric Only!)

WARNING

An exhaust duct transition piece is shipped inside of the dryer's tumbler and *must be* installed on the dryer's exhaust duct, with the hardware provided, **BEFORE** location venting is connected to the dryer.

THIS EXHAUST DUCT TRANSITION PIECE MUST BE INSTALLED FIRST!

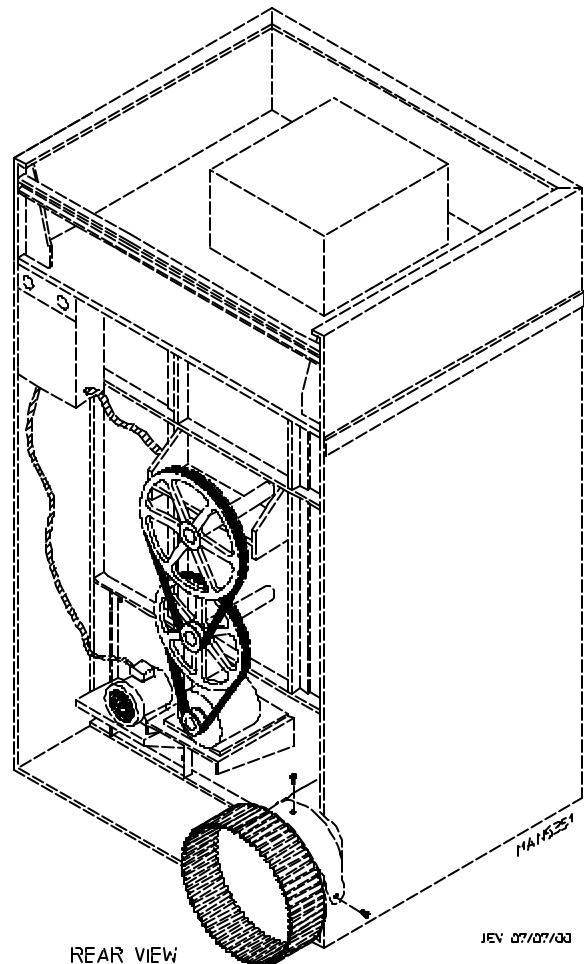
Failure to observe this installation requirement may result in damage to the dryer, create a **FIRE HAZARD** and will **VOID** the manufacturer's warranty.

012999JEV-GS/cj

P/N: 114092

- a. Inside the basket (tumbler) of this dryer is an exhaust transition piece that **must be** installed on the outlet of the exhaust before any further venting is connected:
- 1) Remove the exhaust transition piece from the basket (tumbler) and place it on the exhaust outlet.
 - 2) Using the screws provided, secure the exhaust transition piece to the dryer.

NOTE: **It is recommended** that this joint be taped as well as **ALL** other duct joints to prevent moisture and lint from escaping into the building.



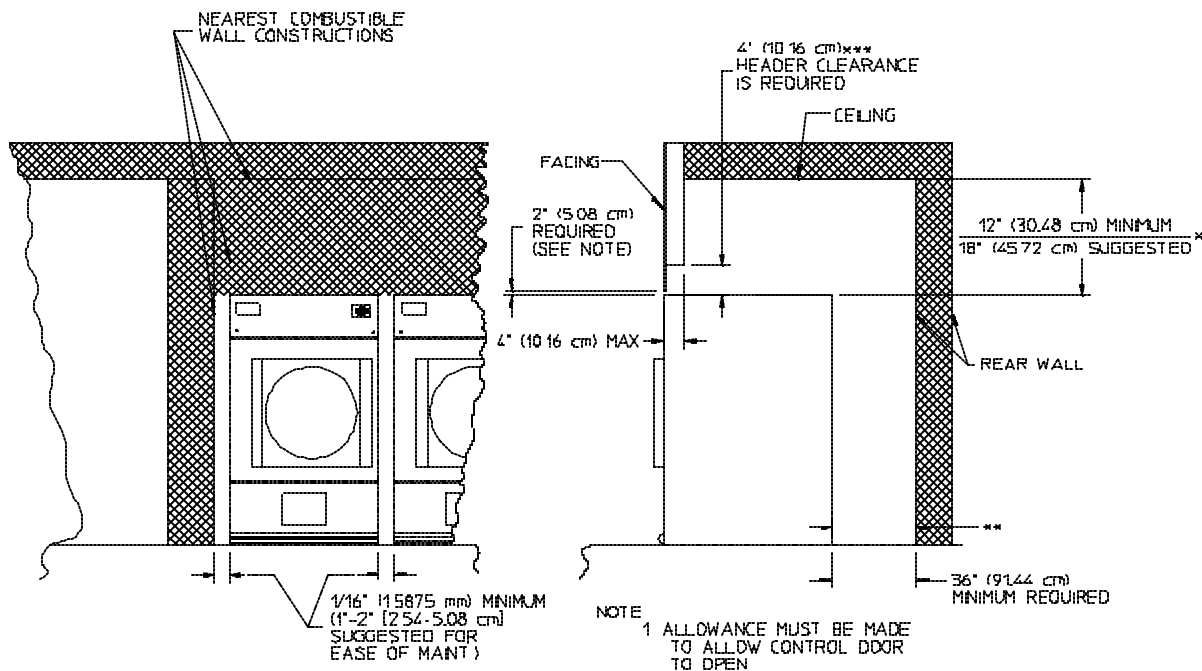
C. DRYER ENCLOSURE REQUIREMENTS

Even though a 12-inch (30.48 cm) clearance is acceptable, it is recommended that the rear of the dryer be positioned approximately 2 feet (0.60 meters) from the nearest obstruction (i.e., wall) for ease of installation, maintenance, and service. Bulkheads and partitions **should be** made from noncombustible materials. The clearance between the bulkhead header and the dryer **must be** a minimum of 4-inches (10.16 cm) and must not extend more than 4-inches (10.16 cm) to the rear of the dryer front. The bulkhead facing **must not be** closed in **ALL** the way to the top of the dryer. A 2-inch (5.08 cm) clearance is required.

NOTE: Bulkhead facing *should not be* installed until after dryer is in place. Ceiling area *must be* located a minimum of 12-inches (30.48 cm) above the top of the dryer.

IMPORTANT: Even though a minimum of only 12-inches (30.48 cm) is required, 18-inches (45.72 cm) or more is suggested, for steam dryers and especially in cases where sprinkler heads are over the dryers.

NOTE: When fire sprinkler systems are located above the dryers, a minimum of 18-inches (45.72 cm) above the dryer console (module) is suggested. Dryers may be positioned sidewall to sidewall however, 1 or 2-inches (2.54 cm or 5.08 cm) is suggested between dryers (or wall) for ease of installation and maintenance. Allowances *must be* made for the opening and closing of the control and lint doors.



* 12" (30.48 cm) OR MORE (18" [45.72 cm] OR MORE FOR STEAM) CLEARANCE IS SUGGESTED, ESPECIALLY IN CASES WHERE SPRINKLER HEADS ARE OVER THE DRYERS

** 24" (60.96 cm) MINIMUM PERMITTED FOR DRYERS VENTING HORIZONTALLY.

*** FOR ELECTRICALLY HEATED DRYERS, THIS MEASUREMENT IS TAKEN FROM THE TOP OF THE ELECTRIC OVEN

TLOSTA 01/24/01

MAN5619

INSTALLATION DRYER CLEARANCE TO ADJACENT WALL STRUCTURES.

D. FRESH AIR SUPPLY REQUIREMENTS

When the dryer is operating, it draws in room air, heats it, passes this air through the basket (tumbler), and exhausts it out of the building. Therefore, the room air **must be** continually replenished from the outdoors. If the make-up air is inadequate, drying time and drying efficiency will be adversely affected. Ignition problems and sail switch “fluttering” problems may result, as well as premature motor failure from overheating.

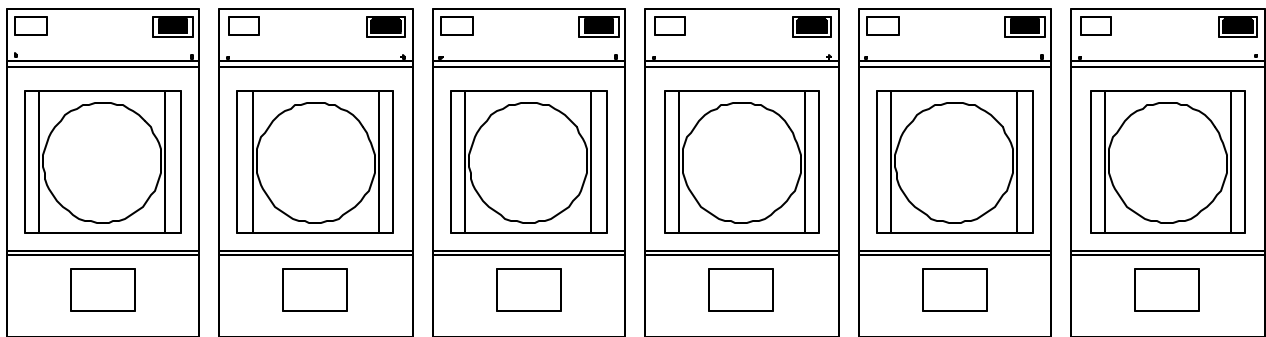
Air supply (make-up air) **must be** given careful consideration to assure proper performance of each dryer. An unrestricted source of air is necessary for each dryer. An airflow of 2,150 cfm (cubic feet per minute) - 60.88 cmm (cubic meters per minutes) - **must be** supplied to each gas, electric, and steam dryer. As a general rule, an unrestricted air entrance from the outdoors (atmosphere) of a minimum of 3 square feet (0.28 square meters) is required for each gas, electric, and steam dryer.

To compensate for the use of registers or louvers used over the openings, this make-up air area **must be** increased by approximately thirty-three percent (33%). Make-up air openings **should not be** located in an area directly near where exhaust vents exit the building.

It is not necessary to have a separate make-up air opening for each dryer. Common make-up air openings are acceptable. However, they **must be** set up in such a manner that the make-up air is distributed equally to **ALL** the dryers. The dryer **must be** installed with provisions for adequate combustion and make-up air supply.

EXAMPLE: For a bank of six (6) gas dryers, two (2) openings measuring 3 feet by 3 feet (0.91 meters by 0.91 meters) 9 square feet (0.84 square meters) is acceptable.

Allowances **must be** made for remote or constricting passageways or where dryers are located at excessive altitudes or predominantly low pressure areas.



JEV 03/27/00

MAN5154

TYPICAL INSTALLATION SHOWING MAKE-UP AIR OPENINGS

IMPORTANT: Make-up air *must be* provided from a source free of dry cleaning solvent fumes. Make-up air that is contaminated by dry cleaning solvent fumes will result in irreparable damage to the motors and other dryer components.

NOTE: Component failure due to dry cleaning solvent fumes will VOID THE WARRANTY.

E. EXHAUST REQUIREMENTS

1. General Exhaust Ductwork Information

Exhaust ductwork **should be** designed and installed by a qualified professional. Improperly sized ductwork will create excessive back pressure which results in slow drying, increased use of energy, overheating of the dryer, and shutdown of the burner by the airflow (sail) switches, burner hi-limits, or basket (tumbler) hi-heat thermostats. The dryer **must be** installed with a proper exhaust duct connection to the outside.

CAUTION: This dryer produces combustible lint and *must be* exhausted to the outdoors.

CAUTION: DRYER *MUST BE* EXHAUSTED TO THE OUTDOORS.

CAUTION: IMPROPERLY SIZED OR INSTALLED EXHAUST DUCTWORK CAN CREATE A POTENTIAL FIRE HAZARD.

NOTE: When a dryer is exhausted separately, it is recommended that a back draft damper be installed.

NOTE: When dryers are exhausted into a multiple (common) exhaust line, each dryer *must be* supplied with a back draft damper.

The exhaust ductwork **should be** laid out in such a way that the ductwork travels as directly as possible to the outdoors with as few turns as possible. Single or independent dryer venting is recommended. When single dryer venting is used, the ductwork from the dryer to the outside exhaust outlet **must not exceed** 20 feet (6.09 meters). In the case of multiple (common) dryer venting, the distance from the last dryer to the outside exhaust outlet **must not exceed** 20 feet (6.09 meters). The shape of the ductwork is not critical so long as the minimum cross section area is provided. It is suggested that the use of 90° turns in ducting be avoided; use 30° and/or 45° angles instead. The radius of the elbows **should preferably be** 1-1/2 times the diameter of the duct. Excluding basket (tumbler)/dryer elbow connections or elbows used for outside protection from the weather, no more than two (2) elbows **should be** used in the exhaust duct run. If more than two (2) elbows are used, the cross section area of the ductwork **must be** increased in proportion to number of elbows added.

ALL ductwork **should be** smooth inside with no projections from sheet metal screws or other obstructions, which will collect lint. When adding ducts, the ducts to be added should overlap the duct to which it is connected. **ALL** ductwork joints **must be** taped to prevent moisture and lint from escaping into the building. Additionally, inspection doors **should be** installed at strategic points in the exhaust ductwork for periodic inspection and cleaning of lint from the ductwork.

To protect the outside end of the horizontal ductwork from the weather, a 90° elbow bent downward **should be** installed where the exhaust exits the building. If the ductwork travels vertically up through the roof, it **should be** protected from the weather by using a 180° turn to point the opening downward. In either case, allow at least twice the diameter of the duct between the duct opening and the nearest obstruction (i.e., roof or ground level).

IMPORTANT: Exhaust back pressure measured by a manometer at the dryer exhaust duct area **must not exceed** 0.3 inches (0.74 mb) of water column (W.C.).

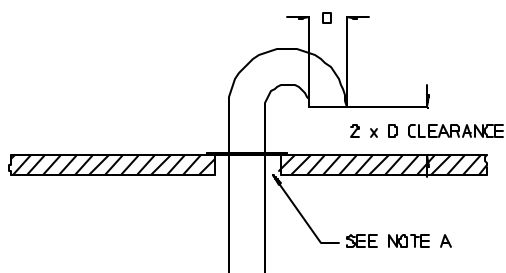
NOTE: When the exhaust ductwork passes through a wall, ceiling, or roof made of combustible materials, the opening **must be** 2-inches (5.08 cm) larger than the duct (all the way around). The duct **must be** centered within this opening.

a. Outside Ductwork Protection

- 1) To protect the outside end of the horizontal ductwork from the weather, a 90° elbow bent downward **should be** installed where the exhaust exits the building. If the exhaust ductwork travels vertically up through the roof, it **should be** protected from the weather by using a 180° turn to point the opening downward. In either case, allow at least twice the diameter of the duct between the duct opening and the nearest obstruction.

IMPORTANT: **DO NOT** use screens, louvers, or caps on the outside opening of the exhaust ductwork.

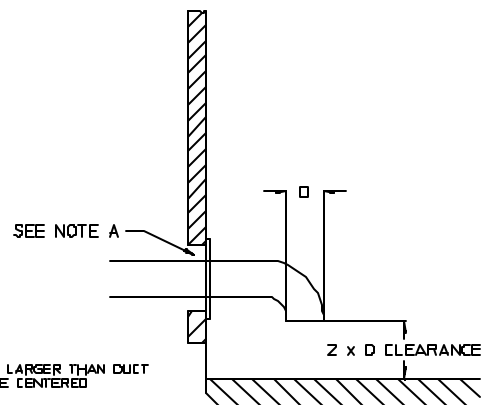
VERTICAL DUCTING



MAN589

NOTE "A" OPENING MUST BE TWO (2) INCHES (5.08 CM) LARGER THAN DUCT ALL THE WAY AROUND. THE DUCT MUST BE CENTERED WITHIN THIS OPENING.

HORIZONTAL DUCTING



2. Single Dryer Venting

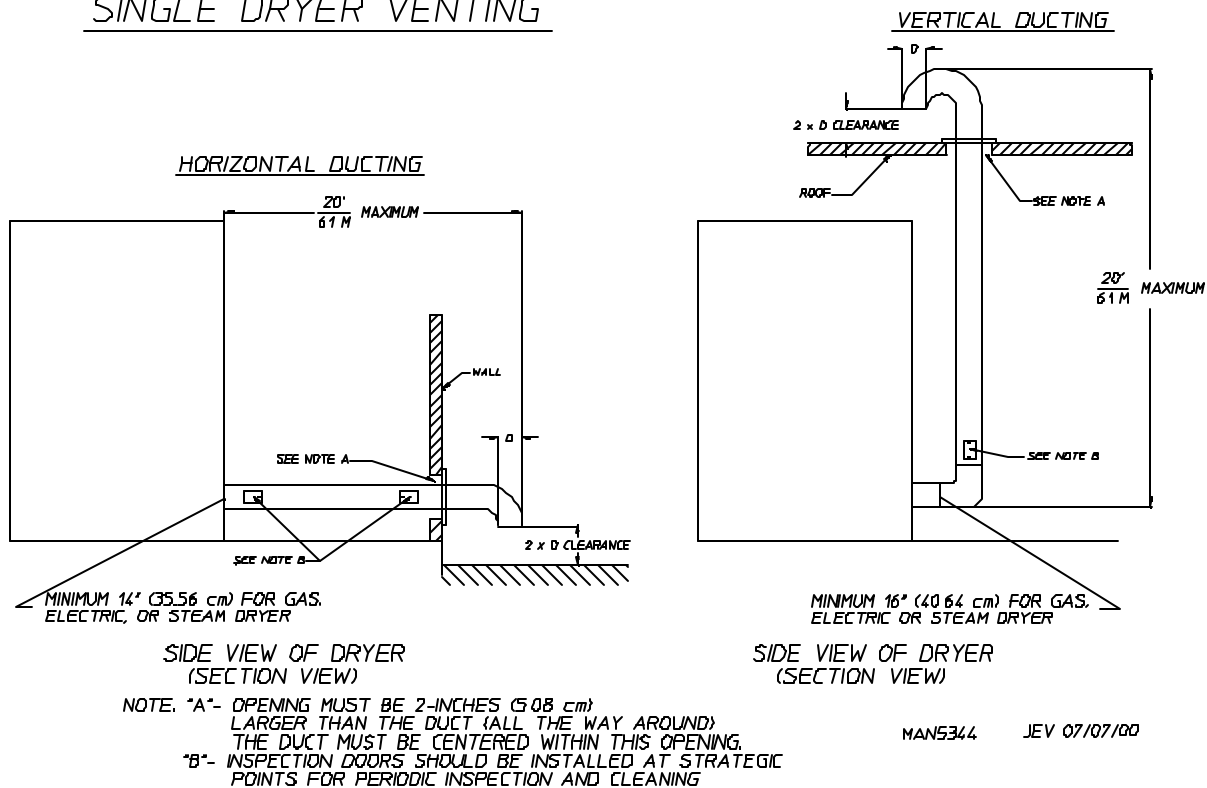
Where possible, it is suggested to provide a separate exhaust duct for each dryer. The exhaust duct **should be** laid out in such a way that the ductwork travels as directly as possible to the outdoors with as few turns as possible. It is suggested that the use of 90° turns in ducting be avoided; use 30° and/or 45° angles instead. The shape of the exhaust ductwork is not critical so long as the minimum cross section area is provided.

IMPORTANT: Minimum duct size for a gas, electric, or steam dryer with a vertical run and not more than three (3) elbows (including dryer connection and outside outlets) is 16-inches (40.64 cm) for a round duct or 14-1/2" by 14-1/2" (36.83 cm by 36.83 cm) for a square duct. ***DUCT SIZE MUST NOT BE REDUCED ANYWHERE DOWNSTREAM OF DRYER.***

IMPORTANT: Exhaust back pressure measured by a manometer at each basket (tumbler) exhaust duct area **must not exceed** 0.3 inches (0.74 mb) of water column (W.C.).

It is suggested that the ductwork from each dryer (minimum 14-inches [35.56 cm] for a gas dryer or electric dryer and 16-inches [40.64 cm] for a steam dryer) not exceed 20 feet (6.09 meters) with no more than three (3) elbows (including dryer connections and outside exhaust outlets). If the ductwork exceeds 20 feet (6.09 meters) or has numerous elbows, the cross section area of the ductwork **must be** increased in proportion to the length and number of elbows in it. In calculating duct size, the cross section area of a square or rectangular duct **must be** increased by twenty percent (20%) for each additional 20 feet (6.09 meters). The diameter of a round exhaust duct **should be** increased ten percent (10%) for each additional 15 feet (4.57 meters). Each 14-inch (35.56 cm) 90° elbow is equivalent to 30 feet (9.14 meters) and each 16-inch (40.64 cm) 90° elbow is equivalent to 36 feet (10.97 meters).

SINGLE DRYER VENTING



IMPORTANT: For extended ductwork runs, the cross section area of the duct can only be increased to an extent. Maximum proportional ductwork runs **cannot** exceed 20 feet (6.09 meters) more than the original limitations of 20 feet (6.09 meters) with two (2) elbows. When the ductwork approaches the maximum limits as noted in this manual, a professional heating, venting, and air conditioning (HVAC) firm **should be** consulted for proper venting information.

ALL ductwork **should be** smooth inside with no projections from sheet metal screws or other obstructions, which will collect lint. When adding ducts, the duct to be added should overlap the duct to which it is to be connected. **ALL** ductwork joints **must be** taped to prevent moisture and lint from escaping into the building. Inspection doors **should be** installed at strategic points in the exhaust ductwork for periodic inspection and cleaning of lint from the ductwork.

NOTE: When the exhaust ductwork passes through a wall, ceiling, or roof made of combustible materials, the opening **must be** 2-inches (5.08 cm) larger than the duct (all the way around). The duct **must be** centered within this opening.

a. Outside Ductwork Protection

- 1) To protect the outside end of the horizontal ductwork from the weather, a 90° elbow bent downward **should be** installed where the exhaust exits the building. If the exhaust ductwork travels vertically up through the roof, it **should be** protected from the weather by using a 180° turn to point the opening downward. In either case, allow at least twice the diameter of the duct between the duct opening and nearest obstruction.

IMPORTANT: **DO NOT** use screens, louvers, or caps on the outside opening of the exhaust ductwork.

3. Multiple Dryer (Common) Venting

If it is not feasible to provide separate exhaust ducts for each dryer, ducts from individual dryers may be channeled into a “common main duct.” The individual ducts should enter the bottom or side of the main duct at an angle not more than 45° in the direction of airflow and **should be** spaced at least 48-3/8 inches (122.87 cm) apart. The main duct **should be** tapered, with the diameter increasing before each individual 14-inch (35.56 cm) minimum for gas dryers or electric dryers, or 16-inch (40.64 cm) minimum for steam dryers (duct is added).

IMPORTANT: The dryer **is not** provided with a back draft damper. When exhausted into a multiple (common) exhaust line, a back draft damper **must be** installed at each dryer duct.

IMPORTANT: No more than four (4) dryers **should be** connected to one (1) main common duct.

The main duct may be any shape or cross-sectional area, so long as the minimum cross section area is **provided**. **The illustrations** on **page 21** show the minimum cross section area for multiple dryer round or square venting. These figures **must be** increased 10 square inches (64.51 square centimeters) when rectangular main ducting is used, and the ratio of duct width to depth **should not be** greater than 3-1/2 to 1. These figures **must be** increased in proportion if the main duct run to the last dryer to where it exhausts to the outdoors is unusually long (over 20 feet [6.09 meters]) or has numerous elbows (more than two [2]) in it. In calculating ductwork size, the cross section area of a square or rectangular duct **must be** increased twenty percent (20%) for each additional 20 feet (6.09 meters). The diameter of a round exhaust **must be** increased ten percent (10%) for each additional 20 feet (6.09 meters). Each 90° elbow is equivalent to an additional 15 feet (4.57 meters).

IMPORTANT: For extended ductwork runs, the cross section area of the ductwork can only be increased to an extent. Maximum proportional ductwork runs **cannot** exceed 20 feet (6.09 meters) more than the original limitations of 20 feet (6.09 meters) with two (2) elbows. When the ductwork approaches the maximum limits as noted in this manual, a professional heating, venting, and air conditioning (HVAC) firm **should be** consulted for proper venting information.

IMPORTANT: Exhaust back pressure measured by a manometer at each dryer exhaust duct area **must not exceed** 0.3 inches (0.74 mb) of water column (W.C.).

The duct **should be** smooth inside with no projections from sheet metal screws or other obstructions, which will collect lint. When adding ducts, the duct to be added should overlap the duct to which it is to be connected. **ALL** ductwork joints **must be** taped to prevent moisture and lint from escaping into the building. Inspection doors **should be** installed at strategic points in the exhaust ductwork for periodic inspection and cleaning of lint from the ductwork.

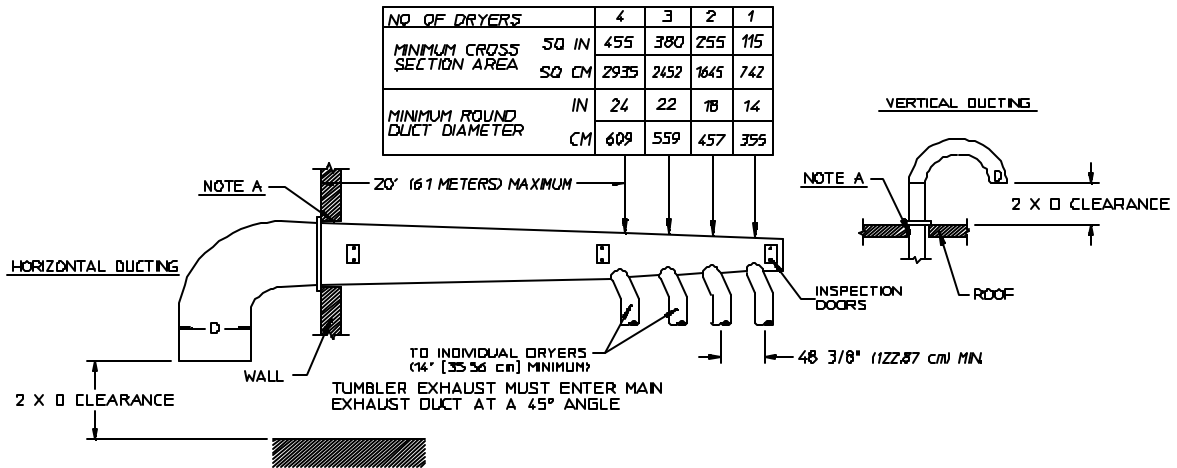
NOTE: When the exhaust ductwork passes through a wall, ceiling, or roof made of combustible materials, the opening **must be** 2-inches (5.08 cm) larger than the duct (all the way around). The duct **must be** centered within this opening.

a. Outside Ductwork Protection

- 1) To protect the outside end of the horizontal ductwork from the weather, a 90° elbow bent downward **should be** installed where the exhaust exits the building. If the exhaust ductwork travels vertically up through the roof, it **should be** protected from the weather by using a 180° turn to point the opening downward. In either case, allow at least twice the diameter of the duct between the duct opening and nearest obstruction.

IMPORTANT: **DO NOT** use screens, louvers, or caps on the outside opening of the exhaust ductwork.

MLG-130 II and MLE-130 II (Gas and Electric) with 14" (35.56 cm) Diameter
2,150 cfm (60.88 cmm) Exhaust Connection at Common Duct



IMPORTANT, NO MORE THAN 4 DRYERS CAN BE CONNECTED TO ONE COMMON DUCT (VENT)

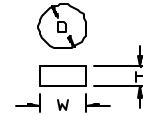
CALBERT 01/10/01

MAN5578

FORMULAS TO CALCULATE DUCTING CROSS SECTIONAL AREA

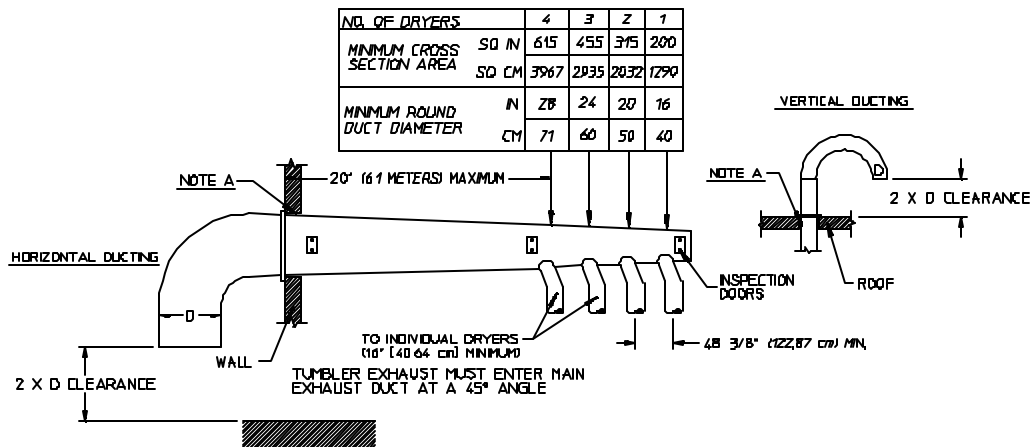
CROSS SECTIONAL AREA OF A ROUND DUCT = $785 (19939 \text{ mm}) \times D^2$ WHERE D = DIAMETER OF THE DUCT

CROSS SECTIONAL AREA OF A RECTANGULAR DUCT = W x H WHERE W = WIDTH AND H = HEIGHT



NOTE A. OPENING MUST BE 2-INCHES (5.08 CM) LARGER THAN THE DUCT (ALL THE WAY AROUND) THE DUCT MUST BE CENTERED WITHIN THIS OPENING

MLS-130 II (Steam) with 16" (40.64 cm) Diameter
2,150 cfm (60.88 cmm) Exhaust Connection at Common Duct



IMPORTANT, NO MORE THAN 4 DRYERS CAN BE CONNECTED TO ONE COMMON DUCT (VENT)

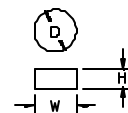
CALBERT 01/10/01

MAN5579

FORMULAS TO CALCULATE DUCTING CROSS SECTIONAL AREA

CROSS SECTIONAL AREA OF A ROUND DUCT = $785 (19939 \text{ mm}) \times D^2$ WHERE D = DIAMETER OF THE DUCT

CROSS SECTIONAL AREA OF A RECTANGULAR DUCT = W x H WHERE W = WIDTH AND H = HEIGHT



NOTE A. OPENING MUST BE 2-INCHES (5.08 CM) LARGER THAN THE DUCT (ALL THE WAY AROUND) THE DUCT MUST BE CENTERED WITHIN THIS OPENING

F. ELECTRICAL INFORMATION

1. Electrical Requirements

It is your responsibility to have **ALL** electrical connections made by a properly licensed and competent electrician to assure that the electrical installation is adequate and conforms to local and state regulations or codes. In the absence of such codes, **ALL** electrical connections, material, and workmanship **must conform** to the applicable requirements of the National Electrical Code ANSI/NFPA NO. 70-LATEST EDITION or in Canada, the Canadian Installation Codes CAN/CGA-B149.1-M91 (Natural Gas) or CAN/CGA-B149.2-M91 (Liquid Propane [L.P.] Gas) or LATEST EDITION.

IMPORTANT: Failure to comply with these codes or ordinances, and/or the requirements stipulated in this manual can result in personal injury or component failure.

NOTE: Component failure due to improper installation will VOID THE WARRANTY.

Each dryer **should be** connected to an independently protected branch circuit. The dryer **must be** connected with copper wire only. **DO NOT use aluminum wire, which could cause a fire hazard.** The copper conductor wire/cable **must be** of proper ampacity and insulation in accordance with electric codes for making **ALL** service connections.

NOTE: The use of aluminum wire will VOID THE WARRANTY.

NOTE: Wiring diagrams are affixed to the inside at the top front control door and to the rear upper back guard/panel.

2. Electrical Service Specifications

ML-130 II Reversing, 3ø (GAS) ML-130 II Reversing, 3ø (STEAM)

ELECTRICAL SERVICE SPECIFICATIONS (PER DRYER)

IMPORTANT: 208 VAC AND 230/240 VAC **ARE NOT THE SAME**. When ordering, *specify exact voltage*.

- NOTES:**
- A. When fuses are used they **must be** dual element, time delay, current limiting, class RK1 or RK5 **ONLY**. Calculate/determine correct fuse value, by applying either local and/or National Electrical Codes to listed appliance amp draw data.
 - B. Circuit breakers are thermal-magnetic (industrial) motor curve type **ONLY**. For others, calculate/verify correct breaker size according to appliance amp draw rating and type of breaker used.
 - C. Circuit breakers for 3-phase (3ø) dryers **must be** 3-pole type.

SERVICE VOLTAGE	PHASE	WIRE SERVICE	APPROX. AMP DRAW		MINIMUM WIRE SIZE	FUSING		CIRCUIT BREAKER	
			60 Hz	50 Hz		Dual Element Time Delay		60 Hz	50 Hz
						60 Hz	50 Hz		
208	3ø	3	13.7	13.7	*	20	20	20	20
230/240	3ø	3	12.5	12.8	*	20	20	20	20
380-400	3ø	3/4	---	7.3	*	---	15	---	15
416	3ø	3/4	---	7.2	*	---	15	---	15
460	3ø	3/4	7.2	---	*	15	---	15	---
480	3ø	3/4	7.2	---	*	15	---	15	---
575	3ø	3	6.3	---	*	15	---	15	---

* AWG Stranded Type Wire ... size wire as per National Electrical Code or local codes.
(Motor lead type wire is recommended).

IMPORTANT: The dryer *must be* connected to the electric supply shown on the data label that is affixed to the left side panel/wall area behind the control door. In the case of 208 VAC or 230/240 VAC, the supply voltage must match the electric service specifications of the data label **exactly**.

WARNING: **208 VAC AND 230/240 VAC ARE NOT THE SAME**. Any damage done to dryer components due to improper voltage connections will automatically **VOID THE WARRANTY**.

NOTE: ADC reserves the right to make changes in specifications at any time without notice or obligation.

MLE-130 II (72 Kw Electric) Reversing, 3ø

ELECTRICAL SERVICE SPECIFICATIONS (PER DRYER)

IMPORTANT: 208 VAC AND 230/240 VAC ARE NOT THE SAME. When ordering, *specify exact voltage*.

- NOTES:**
- A. When fuses are used they **must be** dual element, time delay, current limiting, class RK1 or RK5 **ONLY**. Calculate/determine correct fuse value, by applying either local and/or National Electrical Codes to listed appliance amp draw data.
 - B. Circuit breakers are thermal-magnetic (industrial) type **ONLY**. For others, calculate/verify correct breaker size according to appliance amp draw rating and type of breaker used.
 - C. Circuit breakers for 3-phase (3ø) dryers **must be** 3-pole type.

OVEN SIZE (Kw)	SERVICE VOLTAGE	PHASE	WIRE SERVICE	APPROX. AMP DRAW	
				60 Hz	50 Hz
72	208	3ø	3	214	214
72	230/240	3ø	3	189	189
72	380-400	3ø	3/4	---	114
72	416	3ø	3/4	---	107
72	480	3ø	3/4	94	---
72	575	3ø	3	79	---

IMPORTANT: The dryer *must be* connected to the electric supply shown on the data label that is affixed to the left side panel/wall area behind the control door. In the case of 208 VAC or 230/240 VAC, the supply voltage must match the electric service specifications of the data label exactly.

WARNING: 208 VAC AND 230/240 VAC ARE NOT THE SAME. Any damage done to dryer components due to improper voltage connections will automatically VOID THE WARRANTY.

NOTE: ADC reserves the right to make changes in specifications at any time without notice or obligation.

MLE-130 II (80 Kw Electric) Reversing, 3ø

ELECTRICAL SERVICE SPECIFICATIONS (PER DRYER)

IMPORTANT: 208 VAC AND 230/240 VAC **ARE NOT THE SAME.** When ordering, *specify exact voltage.*

- NOTES:**
- A. When fuses are used they **must be** dual element, time delay, class RK1 or RK5 **ONLY**. Calculate/determine correct fuse value, by applying either local and/or National Electrical Codes to listed appliance amp draw data.
 - B. Circuit breakers are thermal-magnetic (industrial) type **ONLY**. For others, calculate/verify correct breaker size according to appliance amp draw rating and type of breaker used.
 - C. Circuit breakers for 3-phase (3ø) dryers **must be** 3-pole type.

OVEN SIZE (Kw)	SERVICE VOLTAGE	PHASE	WIRE SERVICE	APPROX. AMP DRAW	
				60 Hz	50 Hz
80	208	3ø	3	236	236
80	230/240	3ø	3	209	209
80	380-400	3ø	3/4	---	126
80	416	3ø	3/4	---	118
80	480	3ø	3/4	103	---
80	575	3ø	3	87	---

IMPORTANT: The dryer ***must be*** connected to the electric supply shown on the data label that is affixed to the left side panel/wall area behind the control door. In the case of 208 VAC or 230/240 VAC, the supply voltage must match the electric service specifications of the data label **exactly.**

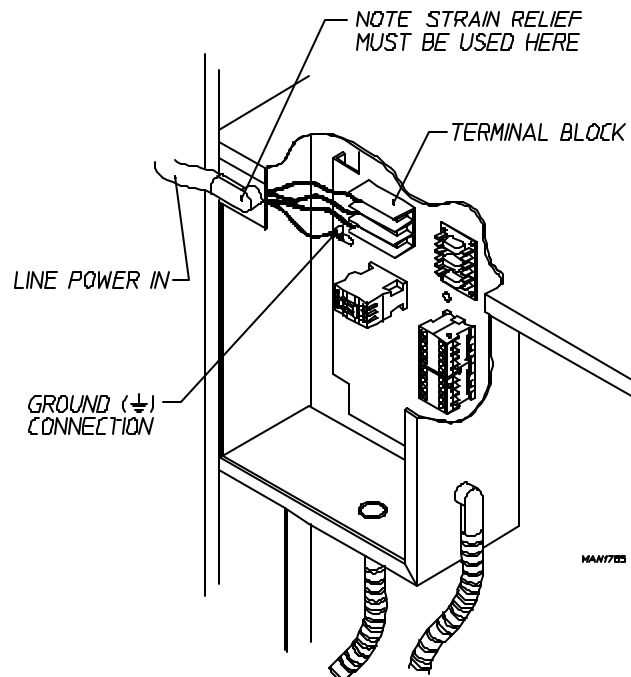
WARNING: 208 VAC AND 230/240 VAC **ARE NOT THE SAME.** Any damage done to dryer components due to improper voltage connections will automatically **VOID THE WARRANTY.**

NOTE: ADC reserves the right to make changes in specifications at any time without notice or obligation.

3. Electrical Connections

NOTE: A wiring diagram is included with each dryer and is affixed to the rear upper right guard/panel of the dryer.

The only electrical input connections to the dryer are the 3-phase (3Ø) power leads (L1, L2, and L3), GROUND, and in the case of 4 wire service, the neutral. Providing local codes permit, power connections to the dryer can be made by the use of a flexible underwriters laboratory listed cord/pigtail (wire size **must conform** to rating of the dryer), or the dryer can be hard wired directly to the service breaker. In **ALL** cases, a strain relief **must be** used where the wire(s) enter the dryer electrical service (relay) box.



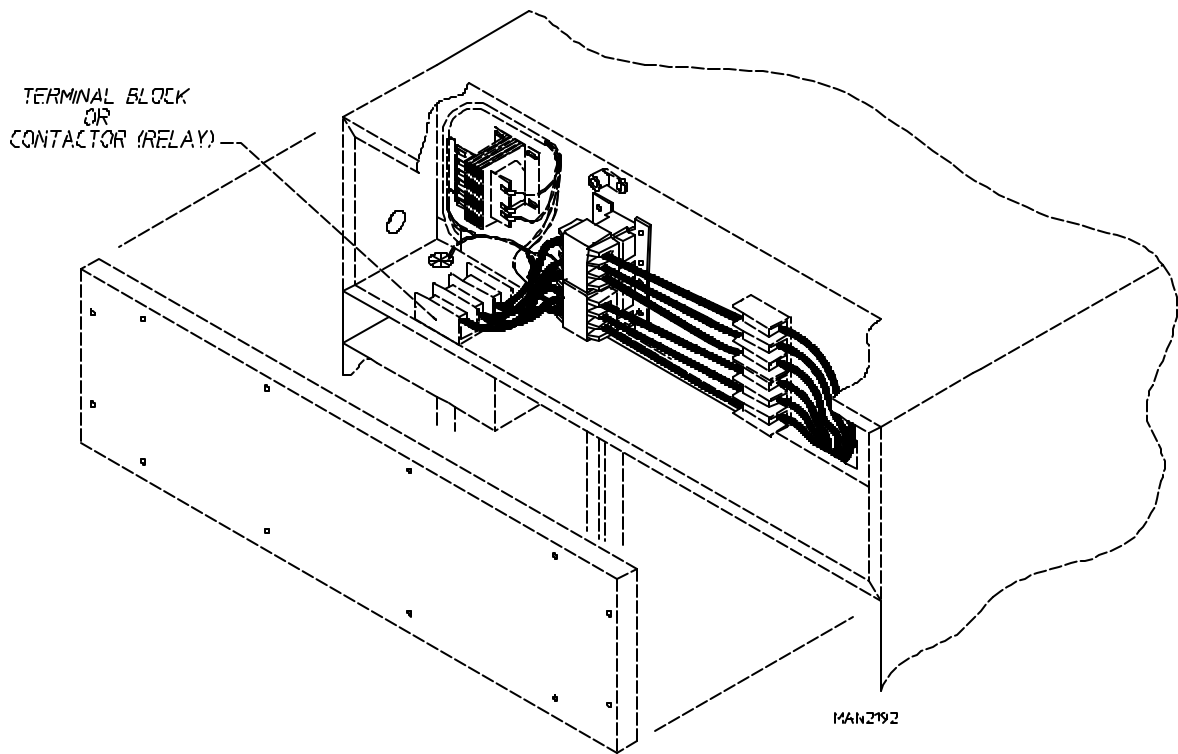
a. Gas Model and Steam Model Dryers

These electrical connections are made at the terminal block located in the electric service/relay box at the rear, upper left hand corner of the dryer. To gain access into this service box, the service cover (upper back guard) **must be** removed.

b. Electric Model Dryers

For electric model dryers made to operate at 208 VAC, or 230/240 VAC, the electrical input connection is made into the terminal block located at the upper rear of the dryer (refer to the **illustration** on [page 27](#)). For electric model dryers made to operate at 380 VAC, 416 VAC, 440 VAC, or 480 VAC, the electrical input connection is made to the oven relay located at the upper rear of the dryer (refer to the **illustration** on [page 27](#)). Input connection wiring **must be** sized properly to handle the dryer's current draw. This information is printed on the dryer's data label, which is affixed to the left side panel/wall area behind the control door.

NOTE: A CIRCUIT SERVICING EACH DRYER **MUST BE** PROVIDED.



4. Grounding

A ground (earth) connection **must be** provided and installed in accordance with state and local codes. In the absence of these codes, grounding **must conform** to applicable requirements of the National Electrical Code ANSI/NFPA NO. 70-LATEST EDITION, or in Canada, the installation **must conform** to applicable Canada Standards: Canadian Electrical Codes Parts 1 & 2 CSA C22.1-1990 or LATEST EDITION. The ground connection may be to a proven earth ground at the location service panel.

NOTE: A grounding connection (terminal lug) is provided in the dryer's electrical service/relay box at the rear.

For added personal safety, when possible, it is suggested that a separate ground wire (sized per local codes) be connected from the ground connection of the dryer to a grounded cold water pipe. **DO NOT ground to a gas or hot water pipe.** The grounded cold water pipe must have metal to metal connections **ALL** the way to electrical ground. If there are any nonmetallic interruptions, such as a meter, pump, plastic, rubber, or other insulating connectors, they **must be** jumped out with no. 4 copper wire and securely clamped to bare metal at both ends.

IMPORTANT: For personal safety and proper operation, the dryer **must be** grounded. For proper operation of the microprocessor controller (computer), an earth (zero) ground is required.

NOTE: Grounding via metallic electrical conduit (pipe) **is not recommended.**

G. GAS INFORMATION

It is your responsibility to have **ALL** plumbing connections made by a qualified professional to assure that the gas plumbing installation is adequate and conforms to local and state regulations or codes. In the absence of such codes, **ALL** plumbing connections, materials, and workmanship **must conform** to the applicable requirements of the National Fuel Gas Code ANSI Z223.1-LATEST EDITION, or in Canada, the Canadian Installation Codes CAN/CGA-B149.1-M91 (Natural Gas) or CAN/CGA-B149.2-M91 (Liquid Propane [L.P.] Gas) or LATEST EDITION.

IMPORTANT: Failure to comply with these codes or ordinances, and/or the requirements stipulated in this manual, can result in personal injury and improper operation of the dryer.

The dryer and its individual shutoff valves **must be** disconnected from the gas supply piping system during any pressure testing of that system at test pressures in excess of 1/2 psig (3.5 kPa). The dryer **must be** isolated from the gas supply piping system by closing its individual manual shutoff valve during any pressure test of the gas supply system at test pressures equal to or less than 1/2 psig (3.5 kPa).

IMPORTANT: Failure to isolate or disconnect the dryer from supply as noted can cause irreparable damage to the gas valve VOIDING THE WARRANTY.

WARNING: FIRE OR EXPLOSION COULD RESULT.

1. Gas Supply

The gas dryer installation **must meet** the American National Standard...National Fuel Gas Code ANSI Z223.1-LATEST EDITION, or in Canada, the Canadian Installation Codes CAN/CGA-B149.1 M91 (Natural Gas) or CAN/CGA-B149.2-M91 (L.P. Gas) or LATEST EDITION, as well as local codes and ordinances and **must be** done by a qualified professional.

NOTE: Undersized gas piping will result in ignition problems, slow drying, increased use of energy, and can create a safety hazard.

The dryer **must be** connected to the type of heat/gas indicated on the data label affixed on the left side panel/wall area behind the control door. If this information does not agree with the type of gas available, **DO NOT operate the dryer**. Contact the reseller who sold the dryer or contact the **ADC** factory.

IMPORTANT: Any burner changes or conversions **must be** made by a qualified professional.

The input ratings shown on the dryer data label are for elevations up to 2,000 feet (609.6 meters), unless elevation requirements of over 2,000 feet (609.6 meters) were specified at the time the dryer order was placed with the factory. The adjustment or conversion of dryers in the field for elevations over 2,000 feet (609.6 meters) is made by changing each burner orifice. If this conversion is necessary, contact the reseller who sold the dryer or contact the **ADC** factory.

2. Technical Gas Data

a. Gas Specifications

TYPE OF GAS				
NATURAL			LIQUID PROPANE	
Manifold Pressure*	3.5 inches W.C.	8.7 mb	10.5 inches W.C.	26.1 mb
In-Line Pressure	6.0 - 12.0 inches W.C.	14.92 - 29.9 mb	11.0 inches W.C.	27.4 mb

Shaded areas are stated in metric equivalents

* Measured at outlet side of gas valve pressure tap when gas valve is on.

b. Gas Connections:

Inlet connection ----- 1-inch N.P.T.

Inlet supply size ----- 1-inch N.P.T. (minimum)

Btu/hr input (per dryer) ----- 375,000 (94,500 kcal/hr)

1) Natural Gas

Regulation is controlled by the dryer's gas valve's internal regulator. Incoming supply pressure **must be** consistent between a minimum of 6.0 inches (14.92 mb) and a maximum of 12.0 inches (29.9 mb) water column (W.C.) pressure.

2) Liquid Propane (L.P.) Gas

Dryers made for use with L.P. gas have the gas valve's internal pressure regulator blocked open so that the gas pressure **must be** regulated upstream of the dryer. The pressure measured at each gas valve pressure tap **must be** a consistent 10.5 inches water column (26.1 mb). There is no regulator or regulation provided in an L.P. dryer. The water column pressure **must be** regulated at the source (L.P. tank) or an external regulator **must be** added to each dryer.

			TYPE OF GAS						Liquid Propane (L.P.) Conversion Kit Part Number
MODEL NUMBER	BTU Per Hour Rating	kcal/hr Rating	Natural			Liquid Propane (L.P.)			
			Qty.	D.M.S.*	Part Number	Qty.	D.M.S.*	Part Number	
ML-130 II	375,000	94,500	3	#4	140832	3	#30	140819	881868

Shaded area is stated in metric equivalent

* Drill Material Size (D.M.S.) equivalents are as follows:

Natural Gas #4 = 0.2090" (5.3086 mm).

Liquid Propane Gas #30 = 0.1285" (3.2639 mm).

3. Piping/Connections

ALL components/materials **must conform** to National Fuel Gas Code Specifications ANSI Z223.1-LATEST EDITION, or in Canada, CAN/CGA-B149.1-M91 (Natural Gas) or CAN/CGA-B149.2-M91 (Liquid Propane [L.P.] Gas) or LATEST EDITION (for General Installation and Gas Plumbing), as well as local codes and ordinances and **must be** done by a qualified professional. It is important that gas pressure regulators meet applicable pressure requirements, and that gas meters be rated for the total amount of **ALL** the appliance BTUs being supplied.

The dryer is provided with a 1-inch N.P.T. inlet pipe connection extending out the back area of the burner box. The minimum pipe size connection (supply line) to the dryer is 1-inch N.P.T. For ease of servicing, the gas supply line of each dryer must have its own shutoff valve.

The size of the main gas supply line (header) will vary depending on the distance this line travels from the gas meter or, in the case of L.P. gas, the supply tank, other gas-operated appliances on the same supply line, etc. Specific information regarding supply line size **should be** determined by the gas supplier.

NOTE: Undersized gas supply piping can create a low or inconsistent pressure, which will result in erratic operation of the burner ignition system.

Consistent gas pressure is essential at **ALL** gas connections. It is recommended that a 1-inch (2.54 cm) pipe gas loop be installed in the supply line servicing a bank of dryers. An in-line pressure regulator **must be** installed in the gas supply line (header) if the (natural) gas pressure exceeds 12.0 inches (29.9 mb) of water column (W.C.) pressure.

IMPORTANT: A water column pressure of 3.5 inches (8.7 mb) for natural gas and 10.5 inches (26.1 mb) for L.P. dryers is required at the gas valve pressure tap of each dryer for proper and safe operation.

A 1/8-inch N.P.T. plugged tap, accessible for a test gauge connection, **must be** installed in the main gas supply line immediately upstream of each dryer.

IMPORTANT: Pipe joint compounds that resist the action of natural and L.P. gases **must be** used.

IMPORTANT: Test **ALL** connections for leaks by brushing on a soapy water solution (liquid detergent works well).

WARNING: NEVER TEST FOR GAS LEAKS WITH A FLAME!!!

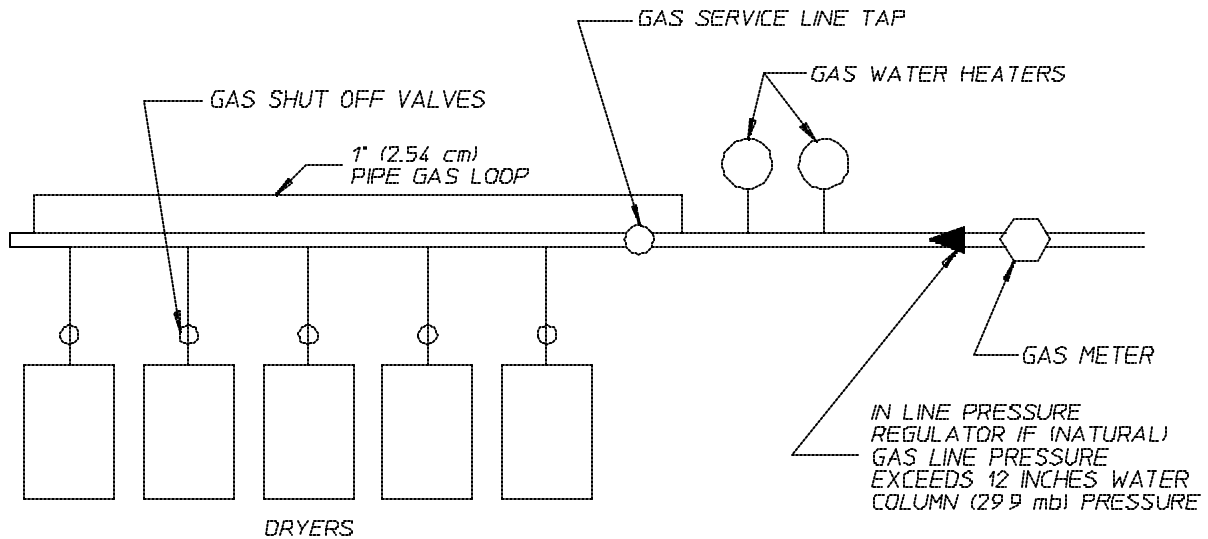
ALL components/materials **must conform** to National Fuel Gas Code Specifications ANSI Z223.1-LATEST EDITION, or in Canada, the Canadian Installation Codes CAN/CGA-B149.1-M91 (Natural Gas) or CAN/CGA-B149.2-M91 (L.P. Gas) or LATEST EDITION.

It is important that gas pressure regulators meet applicable pressure requirements, and that gas meters be rated for the total amount of appliance BTUs being supplied.

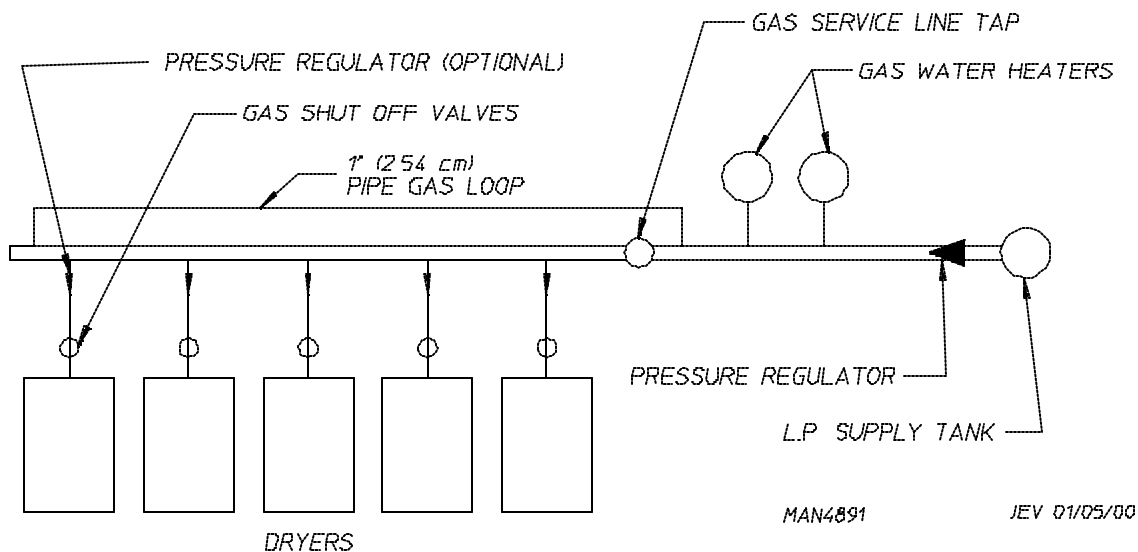
IMPORTANT: The dryer and its individual shutoff valve *must be* disconnected from the gas supply piping system during any pressure testing of that system at test pressures in excess of 1/2 psig (3.5 kPa).

NOTE: The dryer *must be* isolated from the gas supply piping system by closing its individual manual shutoff valve during any pressure testing of the gas supply piping system at test pressures equal to or less than 1/2 psig (3.5 kPa).

TYPICAL NATURAL GAS INSTALLATION



TYPICAL L.P. GAS INSTALLATION



H. STEAM INFORMATION

It is your responsibility to have **ALL** steam plumbing connections made by a qualified professional to assure that the installation is adequate and conforms to local and state regulations or codes.

IMPORTANT: Failure to comply with the requirements stipulated in this manual can result in component failure, which will VOID THE WARRANTY.

NOTE: The dryer is manufactured with a pneumatic (piston) damper system, which requires an external supply of clean, dry, and regulated air (80 PSI +/- 10 PSI [5.51 bars +/- 0.68 bars]). Refer to **Steam Damper Air System Connections, Section H, item 4.**

1. Steam Coil PH Level

The normal PH level for copper type steam coils **must be** maintained between a value of 8.5 to 9.5. For steel type steam coils the PH level **must be** maintained between a value of 9.5 to 10.5. These limits are set to limit the acid attack of the steam coils.

IMPORTANT: Coil failure due to improper PH level will VOID THE WARRANTY.

2. Steam Requirements, High Pressure

- a. Inlet ---1-1/4" supply line connection --- qty. one (1) at top manifold.
- b. Return --1-1/4" return line connection --- qty. one (1) at bottom manifold.

Operating Steam Pressure		
Maximum	125 psig	862.84 kPa
Minimum	100 psig	689.47 kPa
Heat Input (Normal Load)	13 Bhp	
Consumption (Approximate)	450 lbs/hr	202.2 kg/hr

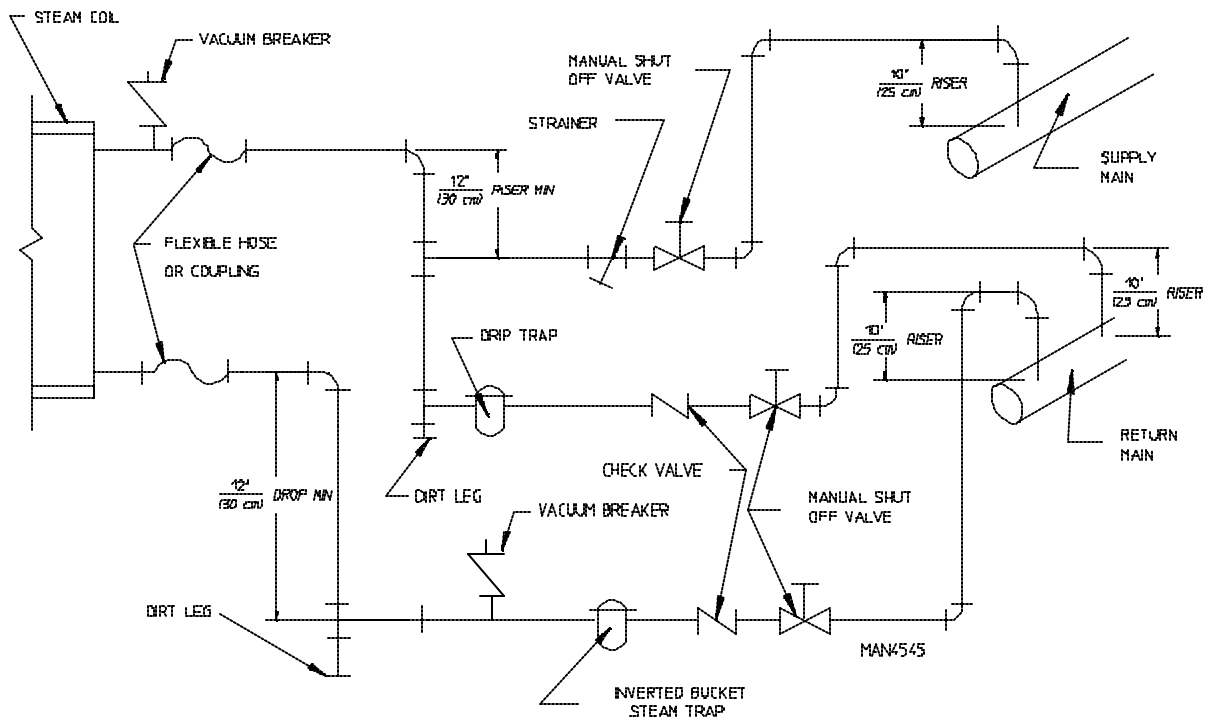
Shaded areas are stated in metric equivalents

3. Installation Instructions

To insure that an adequate supply of steam is provided, be sure that the steam supply and steam return lines are sized and laid out as stipulated in this manual. Inadequate steam supply and steam return lines are sized and laid out as stipulated in this manual. Inadequate steam supply and steam return lines or improper steam plumbing will result in poor performance and can cause component failure. Clean, dry, and regulated steam **must be** provided to the dryer.

IMPORTANT: Steam coil failure due to water hammer by wet steam will VOID THE WARRANTY.

- a. The pressure of the condensate in the steam supply will cause water hammer and subsequent heat exchanger (steam coil) failure. The steam supply connection into the main supply line **must be** made within a minimum 12-inch (30.48 cm) riser. This will prevent any condensate from draining towards the dryer.
- b. The steam supply piping to the dryer **must include** a 12-inch (30.48 cm) rise along with a drip trap and check valve. This will prevent any condensate from entering the steam coil.
- c. Flexible hoses or couplings **must be** used. The dryer vibrates slightly when it runs and this will cause the steam coil connections to crack if they are hard piped to the supply and return mains.
- d. Shutoff valves for each dryer **should be** installed in the supply, return, and drip trap return lines. This will allow the dryer to be isolated from the supply and return mains if the dryer needs maintenance work.
- e. Install an inverted bucket steam trap and check valve for each unit at least 12-inch (30.48 cm) below steam coil as close to the coil as possible.
 - 1) A trap with a capacity of 1,200 lbs (544 kg) of condensate per hour at 125 PSI (8.61 bars) is needed for each unit.
- f. A 3/4-inch (19.05 mm) vacuum breaker **should be** installed for each unit in the piping. This will prevent the condensing steam from causing a vacuum inside the coil and possibly damaging the coil.
- g. The supply and return lines **should be** insulated. This will save energy and provide safety for the operator and maintenance personnel.
- h. Water pockets in the supply line, caused by low points, will provide wet steam to the coil possibly causing coil damage. **ALL** horizontal runs of steam supply piping **should be** pitched 1/4-inch (6.35 mm) for every 1 foot (0.31 meters) back towards the steam supply header causing any condensate in the line to drain to the header. Install a bypass trap in any low point to eliminate wet steam.



4. Steam Damper Air System Connections

The steam dryer is manufactured with a pneumatic (piston) damper system, which requires an external supply of compressed air. The air connection is made to the steam damper solenoid valve, which is located at the rear inner top area of the dryer just above the electric service relay box (refer to the **bottom illustration** on **page 35**).

a. Air Requirements

COMPRESSED AIR SUPPLY	AIR PRESSURE	
Normal	80 PSI	5.52 bars
Minimum Supply	70 PSI	4.83 bars
Maximum Supply	90 PSI	6.21 bars

Shaded areas are stated in metric equivalents

b. Air Connection

Air connection to system --- 1/8-inch N.P.T.

c. No air regulation or filtration is provided with the dryer. External regulation/filtration of 80 PSI (5.51 bars) **must be** provided. It is suggested that a regulator/filter gauge arrangement be added to the compressed air line just before the dryer connection. This is necessary to insure that correct and clean air pressure is achieved.

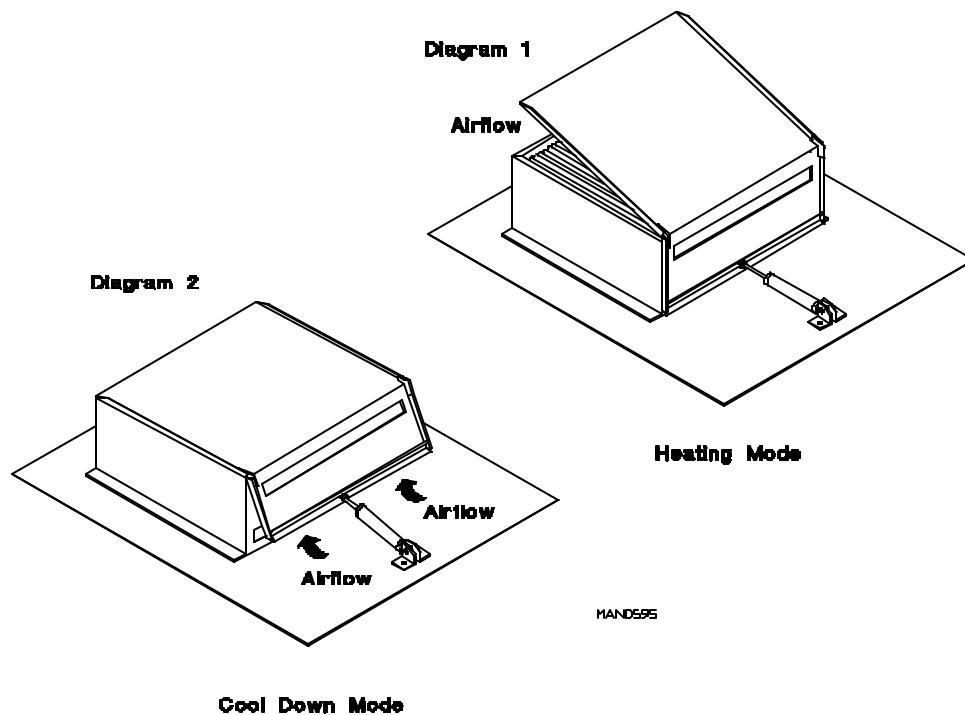
5. Steam Damper System Operation

The steam damper, as shown in the **top illustration** on **page 35**, allows the coil to stay constantly charged eliminating repeated expansion and contraction. When the damper is opened, the air immediately passes through the already hot coil, providing instant heat to start the drying process. When the damper is closed, ambient air is drawn directly into the basket (tumbler), allowing a rapid cool down.

Diagram 1 -- shows the damper in the heating (open) mode, allowing heat into the basket (tumbler).

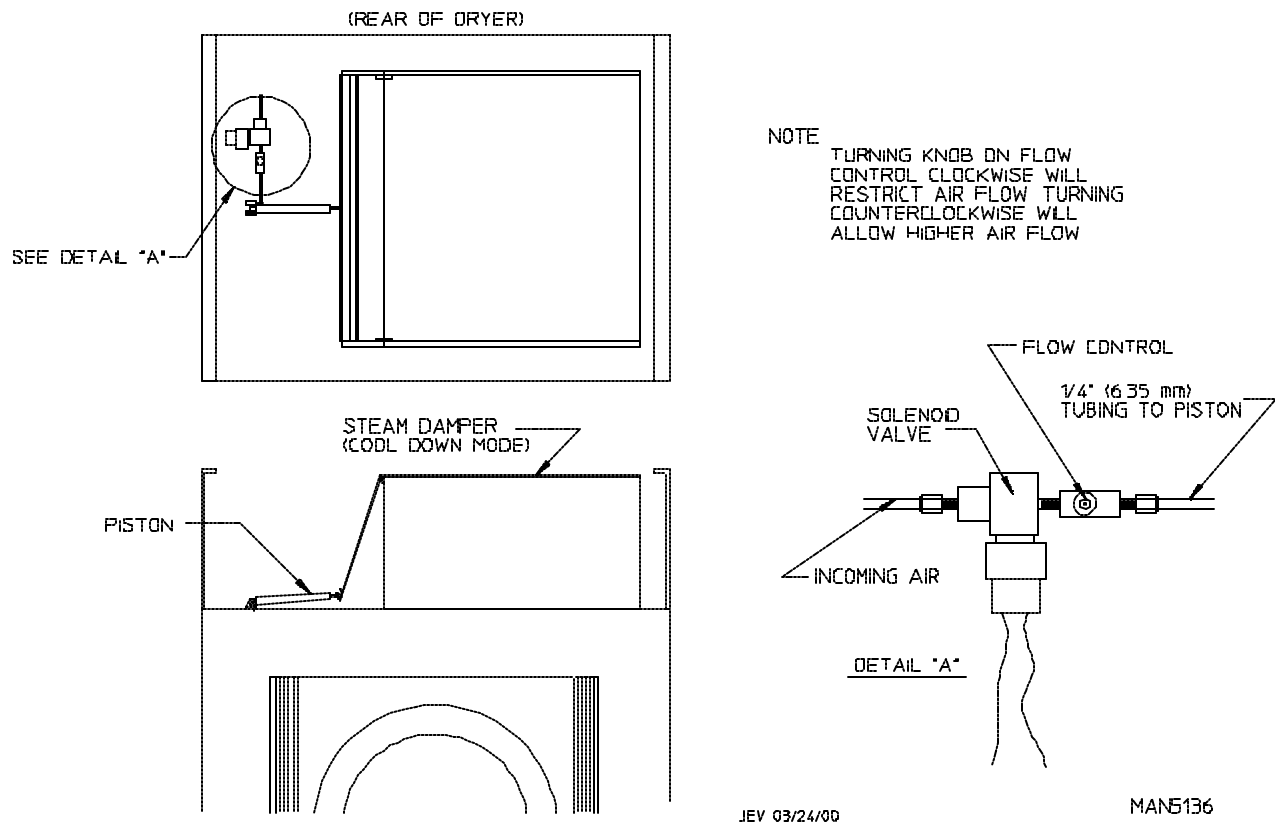
Diagram 2 -- shows the damper in the cool down (closed) mode, pulling ambient air directly into the basket (tumbler) without passing through the coils.

NOTE: With the dryer off or with no air supply, the damper is in the cool down mode as shown in Diagram 2.



6. Steam Damper Air Piston (Flow Control) Operation Adjustment System

Although the damper operation was tested and adjusted prior to shipping at 80 PSI (5.51 bars), steam damper operation **must be** checked before the dryer is put into operation. Refer to **page 34** for instructions to check steam damper system operation. If damper air adjustment is necessary, locate flow control valve and make necessary adjustments as noted below.



I. PREPARATION FOR OPERATION

The following items **should be** checked before attempting to operate the dryer:

1. Read **ALL** “CAUTION,” “WARNING,” and “DIRECTION” labels attached to the dryer.
2. Check incoming supply voltage to be sure that it is the same as indicated on the dryer data label located on the left side panel/wall area behind the control door as shown on **page 9**. In case of 208 VAC or 230/240 VAC, the supply voltage must match the electric service **exactly**.
3. **GAS MODELS** - check to assure that the dryer is connected to the type of heat/gas indicated on the dryer data label.
4. **GAS MODELS** - the sail switch damper assembly was installed and adjusted at the factory prior to shipping. However, each sail switch adjustment **must be** checked to assure that this important safety control is functioning.
5. **GAS MODELS** - be sure that **ALL** gas shutoff valves are in the open position.
6. Be sure **ALL** back panels (guards) and electric box covers have been replaced.
7. Check **ALL** service doors to assure that they are closed and secured in place.
8. Be sure lint drawer is securely in place.

NOTE: LINT DRAWER *MUST BE* ALL THE WAY IN PLACE TO ACTIVATE SAFETY SWITCH OTHERWISE THE DRYER WILL NOT START.

9. Rotate the basket (tumbler) by hand to be sure it moves freely.
10. Check bolts, nuts, screws, terminals, and fittings for security.
11. **STEAM MODELS** - check to insure air supply (80 PSI [5.51 bars]) is on the dryer.
12. **STEAM MODELS** - check to insure **ALL** steam shutoff valves are open.
13. **STEAM MODELS** - check steam damper operation.
14. Check basket (tumbler) bearing setscrews to insure they are **ALL** tight.

J. PREOPERATIONAL TESTS

ALL dryers are thoroughly tested and inspected before leaving the factory. However, a preoperational test **should be** performed before the dryer is publicly used. It is possible that adjustments have changed in transit or due to marginal location (installation) conditions.

1. Turn on electric power to the dryer.
2. Make sure the main door is closed and the lint drawer is securely in place.
3. Refer to the Operating Instructions for starting your particular model dryer.
4. Check to insure that the basket (tumbler) starts in the clockwise (CW) direction. Additionally, check the direction of the blower motor impellor (fan) to insure that the impellor (fan) rotates in the clockwise (CW) direction as viewed from the front. If it is, the phasing is correct. If the phasing is incorrect, reverse two (2) of the leads at L1, L2, or L3, of the power supply connections made to the dryer.

IMPORTANT: Dryer blower motor (impellor/fan) as viewed from the front must turn in the clockwise (CW) direction, otherwise dryer efficiency **will be** drastically reduced and premature component failure can result.

5. Heat Circuit Operational Test

a. Gas Models

- 1) When the dryer is first started (during initial start-up), the burner has a tendency not to ignite on the first attempt. This is because the gas supply piping is filled with air, so it may take a few minutes for this air to be purged.
- 2) The dryer is equipped with a Direct Spark Ignition (DSI) system, which has internal diagnostics. If ignition is not established after the first attempt, the heat circuit DSI module will “LOCKOUT” until it is manually reset. To reset the DSI system, open and close main door and restart dryer (press the “ENTER/START” key).

NOTE: During the purging period, check to be sure that **ALL** gas shutoff valves are open.

- 3) Once ignition is established, a gas pressure test **should be** taken at the gas valve pressure tap of each dryer to assure that the water column (W.C.) pressure is correct and consistent.

NOTE: Water column pressure requirements (measured at the gas valve pressure tap)...

Natural Gas----- 3.5 inches (8.7 mb) water column.

Liquid Propane (L.P.) Gas ---- 10.5 inches (26.1 mb) water column.

IMPORTANT: There is no regulator provided in an L.P. dryer. The water column pressure **must be** regulated at the source (L.P. tank) or an external regulator **must be** added to each dryer.

b. Electric Models

- 1) Check the oven contactors to insure that the electric oven is cycling properly.

c. Steam Models

- 1) Check to insure that steam damper is functioning properly.
 - a) The steam damper should not “slam” (open/closed) when it reaches the end of (piston) travel. Additionally, the steam damper should not bind or stop during travel. If either of these conditions occur, the flow control **must be** adjusted. (Refer to the Cool Down Mode in **top illustration** on **page 35** for air adjustment instructions.)

6. Make a complete operational check of **ALL** safety-related circuits (i.e., lint drawer switch and sail switch on gas models).

NOTE: To check for proper sail switch operation, open the main door and while holding main door switch plunger in, start dryer. Dryer should start but heat circuit **should not be** activated (on). If heat (burner) does activate, shut the dryer off and make the necessary adjustments

7. A reversing basket (tumbler) dryer **should never be** operated with less than a 85 lb (38 kg) load (dry weight). The size of the load will affect the coast-down and dwell (stop) times. The basket (tumbler) must come to a complete stop before starting in the opposite direction.

a. Microprocessor Controller (Computer) Dryer Models

- 1) Spin and stop times are not adjustable in the Automatic Mode and have been preprogrammed into the microprocessor controller (computer) for a 120-second spin time and a 5-second dwell (stop) time.
- 2) Spin and stop times are adjustable in the Manual (Timed) Mode.

b. Dual Timer Dryer Models

- 1) Spin and stop times are adjustable at the reversing timer.

BASKET COATING

The basket (tumbler) is treated with a protective coating. We suggest dampening old garments or cloth material with a solution of water and nonflammable mild detergent and tumbling them in the basket (tumbler) to remove this coating.

8. Each dryer **should be** operated through one (1) complete cycle to assure that no further adjustments are necessary and that **ALL** components are functioning properly.
9. Make a complete operational check of **ALL** operating controls.

a. Microprocessor Controller (Computer) Programs and Selections

- 1) Each microprocessor controller (computer) has been preprogrammed by the factory with the most commonly used parameter (program) selections. If computer program changes are required, refer to the computer programming manual, which was shipped with the dryer.

b. Dual Timer Dryers Check

- 1) Heating Timer

- 2) Cool Down Timer
- 3) Temperature Selection Switch

K. SHUT DOWN INSTRUCTIONS

If the dryer is to be shut down (taken out of service) for a period of time, the following **must be** performed:

1. Discontinue power to the dryer either at the external disconnect switch or the circuit breaker.
2. Discontinue the gas or steam supply:
 - a. **GAS MODELS ... discontinue the gas supply.**
 - 1) **SHUT OFF external gas supply shutoff valve.**
 - 2) **SHUT OFF internal gas supply shutoff valve located in the gas valve burner area.**
 - b. **STEAM MODELS ... discontinue the steam supply.**
 - 1) **SHUT OFF external (location furnished) shutoff valve.**
 - 2) **SHUT OFF internal steam valves in the supply lines and the return lines.**

L. OPERATING INSTRUCTIONS

NOTE: Before attempting to start the dryer make sure that the main door is closed and the lint drawer is securely in place.

1. To Start The Dryer
 - a. Microprocessor Controller (Computer) Dryer Models
 - 1) Display will read "READY" (meaning no cycle in progress).
 - 2) Press the letter on the keyboard (touch pad) corresponding to the cycle desired (i.e., "E")...
 - a) The dryer will then start (rotate).
 - 3) Light emitting diode (L.E.D.) display will now show the "Cycle In Progress" and "Cycle Status" meaning that the dryer is in the drying cycle (dry mode for 30 minutes) and count down in minutes.

NOTE: Pressing keyboard (touch pad) key "A," "B," "C," "D," and "F" will start the dryer. The six (6) preprogrammed drying cycles ("A" through "F") have been stored in the microprocessor controller's (computer's) memory. Refer to the computer programming manual supplied with this dryer for more specific operating information.

NOTE: The dryer can be stopped at any time by opening main door or by pressing the “CLEAR/STOP” key. To restart the dryer, press the “ENTER/START” key or preprogrammed cycle key (i.e., “E”).

NOTE: Selection (setting) changes can be made at any time during the drying cycle by pressing the “CLEAR/STOP” key twice. The light emitting diode (L.E.D.) display will return to “FILL” at which time a new cycle selection can be made.

b. Dual Timer Dryer Models

- 1) Select drying time and cool down time desired...
 - a) Turn heat timer clockwise (CW) to desired time (i.e., 1 minute to 60 minutes).
 - b) Turn cool down timer clockwise (CW) to desired time (i.e., 0 minutes to 15 minutes).
- 2) Select drying temperature (“HI TEMP,” “LO TEMP,” or “PERM PRESS”).
- 3) Push “Push To Start” switch...
 - a) Dryer will now start.
- 4) To stop dryer, open the main door.

SECTION IV

SERVICE/PARTS INFORMATION

A. SERVICE

1. Service **must be** performed by a qualified trained technician, service agency, or gas supplier. If service is required, contact the reseller from whom the **ADC** equipment was purchased. If the reseller **cannot** be contacted or is unknown, contact the **ADC** Service Department for a reseller in your area.

NOTE: When contacting the **ADC** Service Department, be sure to give them the correct **model number** and **serial number** so that your inquiry is handled in an expeditious manner.

B. PARTS

1. Replacement parts **should be** purchased from the reseller from whom the **ADC** equipment was purchased. If the reseller **cannot** be contacted or is unknown, contact the **ADC** Parts Department for a reseller in your area. Parts may also be purchased directly from the factory by calling the **ADC** Parts Department at (508) 678-9000 or you may FAX in your order at (508) 678-9447.

NOTE: When ordering replacement parts from the **ADC** reseller or the **ADC** factory be sure to give them the correct **model number** and **serial number** so that your parts order can be processed in an expeditious manner.

SECTION V

WARRANTY INFORMATION

A. RETURNING WARRANTY CARDS

1. Before any dryer leaves the **ADC** factory test area, a warranty card is placed on the back side of the main door glass. These warranty cards are intended to serve the customer where we record the individual installation date and warranty information to better serve you should you file a warranty claim.
 - a. If a warranty card did not come with your dryer, contact the **ADC** Warranty Department or **ADC** Service Department at (508) 678-9000.

IMPORTANT: A separate warranty card *must be* completed and returned for each individual dryer.

NOTE: Be sure to include the installation date when returning the warranty card(s).

B. WARRANTY

For a copy of the **ADC** commercial warranty covering your particular dryer(s), contact the **ADC** reseller from whom you purchased the equipment and request a dryer warranty form. If the reseller **cannot** be contacted or is unknown, warranty information can be obtained from the factory by contacting the **ADC** Warranty Department at (508) 678-9000.

NOTE: Whenever contacting the **ADC** factory for warranty information, be sure to have the dryer's **model number** and **serial number** available so that your inquiry can be handled in an expeditious manner.

C. RETURNING WARRANTY PARTS

ALL dryer or parts warranty claims or inquiries **should be** addressed to the **ADC** Warranty Parts Department. To expedite processing, the following procedures **must be** followed:

1. No parts are to be returned to **ADC** without prior written authorization (“Return Material Authorization” [R.M.A.]) from the factory.

NOTE: An R.M.A. is valid for only thirty (30) days from date of issue.

- a. The R.M.A. issued by the factory, as well as any other correspondence pertaining to the returned part(s), **must be** included inside the package with the failed merchandise.

2. Each part **must be** tagged with the following information:
 - a. **Model number** and **serial number** of the dryer from which part was removed.
 - b. Nature of failure (be specific).
 - c. Date of dryer installation.
 - d. Date of part failure.
 - e. Specify whether the part(s) being returned is for a replacement, a credit, or a refund.

NOTE: If a part is marked for a credit or a refund, the invoice number covering the purchase of the replacement part **must be** provided.

NOTE: Warranty tags (ADC Part No. 450064) are available at “no charge” from ADC upon request.

3. The company returning the part(s) must clearly note the complete company name and address on the outside of the package.
4. **ALL** returns **must be** properly packaged to insure that they are not damaged in transit. *Damage claims are the responsibility of the shipper.*

IMPORTANT: No replacements, credits, or refunds **will be** issued for merchandise damaged in transit.

5. **ALL** returns **should be** shipped to the ADC factory in such a manner that they are insured and a proof of delivery can be obtained by the sender.
6. **Shipping charges are not the responsibility of ADC. ALL returns should be “prepaid” to the factory. Any “C.O.D.” or “COLLECT” returns will not be accepted.**

IMPORTANT: No replacements, credits, or refunds **will be** issued if the claim **cannot** be processed due to insufficient information. The party filing the claim **will be** notified in writing, either by “FAX” or “CERTIFIED MAIL - Return Receipt Requested,” as to the information necessary to process claim. If a reply **is not** received by the ADC Warranty Department within thirty (30) days from the FAX/letter date, then no replacements, credits, or refunds **will be** issued, and the merchandise **will be** discarded.

SECTION VI

ROUTINE MAINTENANCE

A. CLEANING

A program and/or schedule **should be** established for periodic inspection, cleaning, and removal of lint from various areas of the dryer, as well as throughout the ductwork system. The frequency of cleaning can best be determined from experience at each location. Maximum operating efficiency is dependent upon proper air circulation. The accumulation of lint can restrict this airflow. If the guidelines in this section are met, an ADC dryer will provide many years of efficient, trouble free, and most importantly, safe operation.

WARNING: LINT FROM MOST FABRICS IS HIGHLY COMBUSTIBLE. THE ACCUMULATION OF LINT CAN CREATE A POTENTIAL FIRE HAZARD.

WARNING: KEEP DRYER AREA CLEAR AND FREE FROM COMBUSTIBLE MATERIALS, GASOLINE, AND OTHER FLAMMABLE VAPORS AND LIQUIDS.

NOTE: Suggested time intervals shown are for average usage which is considered six (6) to eight (8) operational (running) hours per day.

CLEAN THE LINT DRAWER/SCREEN EVERY THIRD OR FOURTH LOAD.

NOTE: Frequency can best be determined at each location.

IMPORTANT: Dryer produces combustible lint and ***must be*** exhausted to the outdoors. Every six (6) months, inspect the exhaust ducting and remove any lint build up.

SUGGESTED CLEANING SCHEDULE

DAILY (beginning of each work shift)

1. Clean lint from screen.
2. Inspect lint screen and replace if torn.

WEEKLY

Clean lint accumulation from lint chamber, thermostat, and microprocessor temperature sensor (sensor bracket) area.

WARNING: TO AVOID THE HAZARD OF ELECTRICAL SHOCK, DISCONTINUE ELECTRICAL SUPPLY TO THE DRYER.

STEAM DRYERS

Clean the steam coil fins. We suggest using compressed air and a vacuum cleaner with brush attachment.

WARNING: When cleaning steam coil fins, be careful not to bend the fins. If fins are bent, straighten by using a fin comb, which is available from local air conditioning supply houses.

90 DAYS

Remove lint from around basket (tumbler), drive motors, and surrounding areas. Remove lint from gas valve burner area with a dusting brush or vacuum cleaner attachment.

NOTE: To prevent damage, avoid cleaning and/or touching ignitor/flame-probe assembly.

Remove lint accumulation from inside control box and at the rear area behind control box.

6 MONTHS

Inspect and remove lint accumulation in customer furnished exhaust ductwork system and from dryer's internal exhaust ducting.

Impellor (fan/blower) belts and drive belts **should be** examined. Cracked and/or seriously frayed belts **should be** replaced. Tighten belts when necessary.

WARNING: THE ACCUMULATION OF LINT IN THE EXHAUST DUCTWORK CAN CREATE A POTENTIAL FIRE HAZARD.

WARNING: *DO NOT* OBSTRUCT THE FLOW OF COMBUSTION AND VENTILATION AIR. CHECK CUSTOMER FURNISHED BACK DRAFTED DAMPERS IN EXHAUST DUCTWORK. INSPECT AND REMOVE ANY LINT ACCUMULATION, WHICH CAN CAUSE DAMPER TO BIND OR STICK.

NOTE: A back draft damper that is sticking partially closed can result in slow drying and shutdown of the heat circuit safety switches or thermostats.

NOTE: When cleaning dryer cabinet(s), avoid using harsh abrasives. A product intended for the cleaning of appliances is recommended.

B. ADJUSTMENTS

7 DAYS AFTER INSTALLATION AND EVERY 6 MONTHS THEREAFTER

Inspect bolts, nuts, screws (bearing setscrews), and nonpermanent gas connections (unions, shutoff valves, orifices, and grounding connections). Motor and drive belts **should be** examined. Cracked or seriously frayed belts **should be** replaced. Tighten loose V-belts when necessary. Complete operational check of controls and valves. Complete operational check of **ALL** safety devices (door switch, lint drawer switch, sail switch, burner, and hi-limit thermostats).

C. LUBRICATION

The motor bearings and under normal/most conditions the basket (tumbler) and idler bearings are permanently lubricated. It is physically possible to re-lubricate the basket (tumbler) and idler bearings if you choose to do so even though this practice is not necessary. Use Shell Alvania #2 or its equivalent. The basket (tumbler) and idler bearings used in the dryer **DO NOT** have a grease fitting. Provisions are made in the bearing housing for the addition of a grease fitting which can be obtained elsewhere, or from **ADC** by ordering kit Part No. 882159 (basket [tumbler] ONLY), which includes two (2) fittings.

THE DATA LABEL

1. MODEL NUMBER

The model number is an **ADC** number, which describes the size of the dryer and the type of heat (gas, electric, or steam).

2. SERIAL NUMBER

The serial number allows **ADC** to gather information on your particular dryer.

3. MANUFACTURING CODE NUMBER

The manufacturing code number is a number issued by **ADC**, which describes **ALL** possible options on your particular model.

4. TYPE OF HEAT

This describes the type of heat for your particular dryer: gas (either natural gas or liquid propane [L.P.]) or steam.

5. HEAT INPUT (for GAS DRYERS)

This describes the heat input in British Thermal Units per Hour (BTUH).

6. ORIFICE SIZE (for GAS DRYERS)

Gives the number drill size used.

7. ELECTRIC SERVICE

This describes the electric service for your particular model.

8. GAS MANIFOLD PRESSURE (for GAS DRYERS)

This describes the manifold pressure taken at the gas valve tap.

9. APPLICABLE APPROVAL SEAL(S)

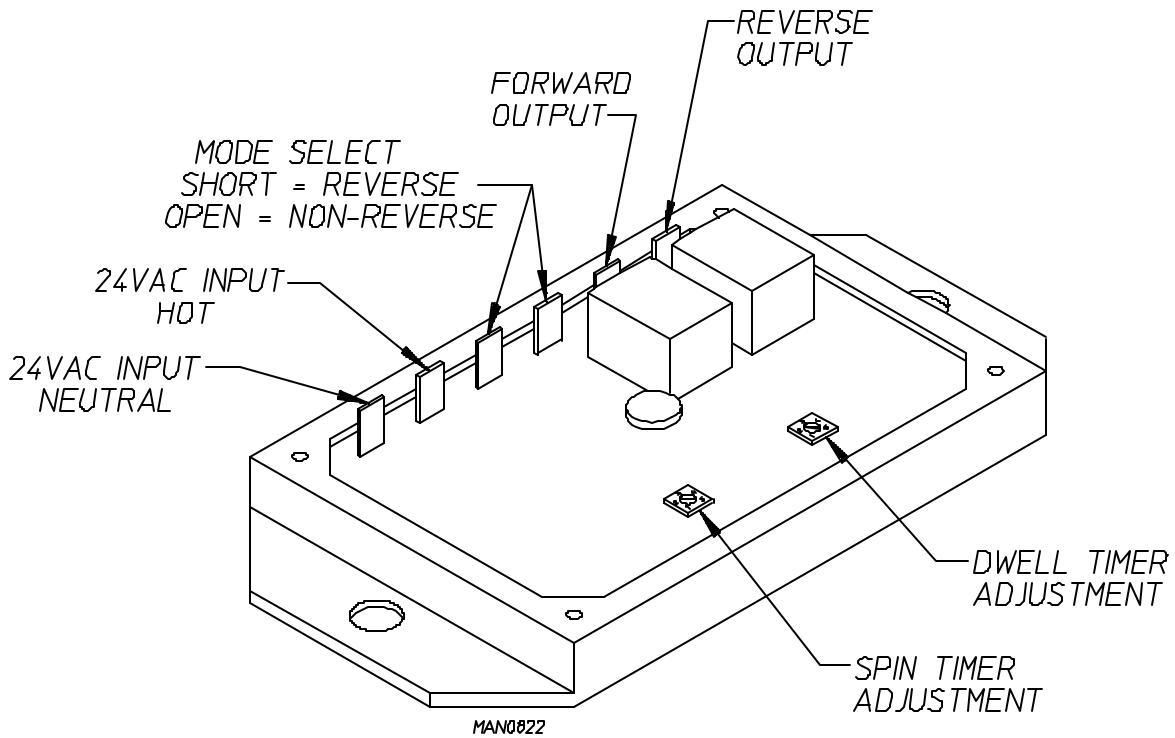
I.E., Canadian Standards Association International.

SECTION VIII

REVERSING TIMER SPIN/DWELL ADJUSTMENTS

Timer models have an electric reversing timer in the electric service box, which is located in the upper left rear area of the dryer.

Both the dwell (stop) time and basket (tumbler) spin time are adjustable by mode selection switches located on the electronic timer (as noted in the **illustration below**).



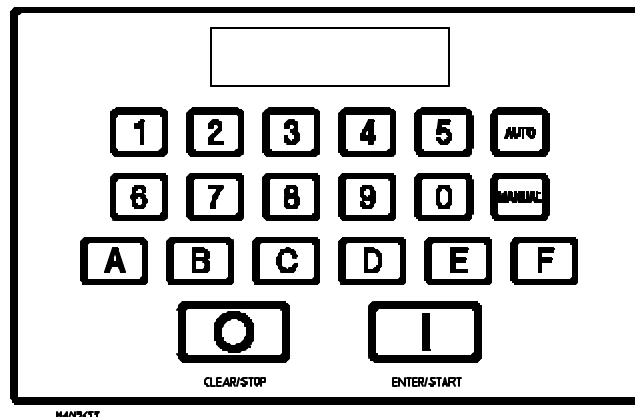
TIMING LEGEND					
SPIN TIME					
Adjustment Position Number	1	2	3	4	5
Time in Seconds*	30	60	90	120	150
DWELL (STOP) TIME					
Adjustment Position Number	1	2	3	4	5
Time in Seconds*	5	6.3	7.6	8.9	10.2
* Values shown are +/- 1-second.					

SECTION IX

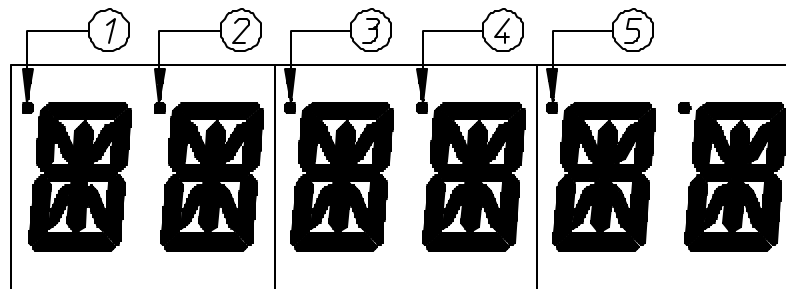
PROCEDURE FOR FUNCTIONAL CHECK OF REPLACEMENT COMPONENTS

1. Microprocessor Controller (Computer) Board

- a. Upon completing installation of the replacement microprocessor controller (computer) board, reestablish power to the dryer.
- b. Start the drying cycle by pressing any of the preset cycles in letters A-F.



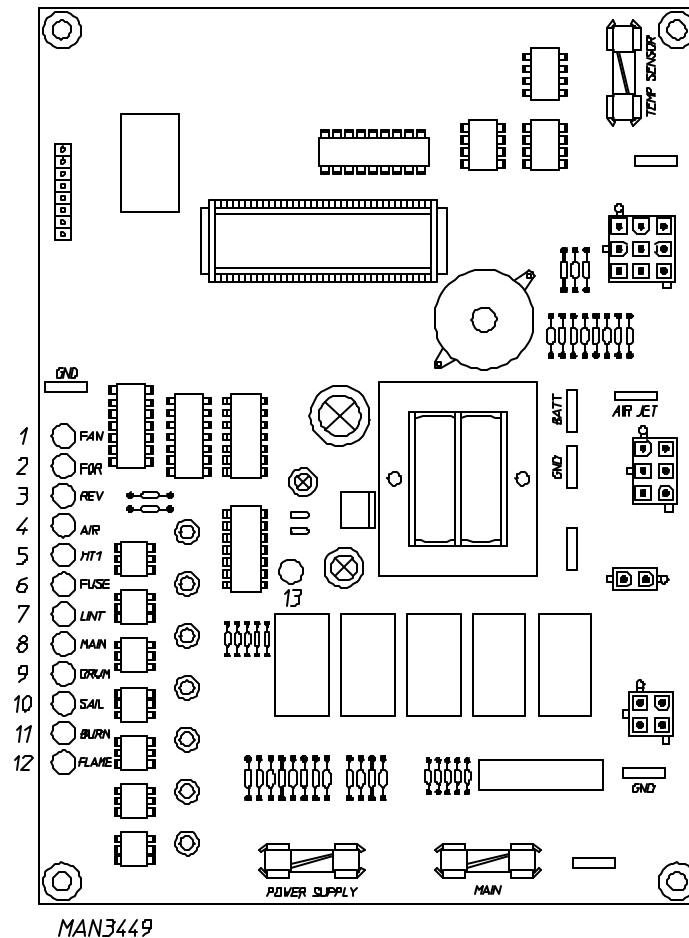
- c. Verify that the motor(s) and the heat indicator dots, in the microprocessor controller (computer) light emitting diode (L.E.D.) display are on. (Refer to the **illustration below**).



MAN3450

- 1) Basket (tumbler) in Forward Mode (clockwise [CW]) indicator
- 2) Basket (tumbler) in Reverse Mode (counterclockwise [CCW]) indicator
- 3) Heat On indicator
- 4) On indicator (dryer is in Operation Mode)
- 5) Air Jet indicator

- d. Verify that the motor(s), heat, and door indicator lights on the back side of the microprocessor controller (computer) board are lit. (Refer to the **illustration below.**)



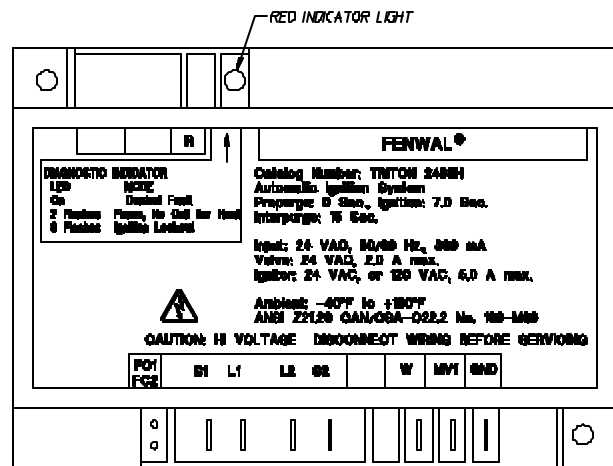
- 1) "FAN" (Blower) output L.E.D. indicator
- 2) "FOR" (Forward) output L.E.D. indicator
- 3) "Rev" (Reverse) output L.E.D. indicator
- 4) "Air" (Air Jet) output L.E.D. indicator
- 5) "HT 1" (Heat) output L.E.D. indicator
- 6) "Fuse" (Main Fuse) input L.E.D. indicator
- 7) "Lint" (Lint Door) input L.E.D. indicator
- 8) "Main" (Main Door) input L.E.D. indicator
- 9) "Drum" (Tumbler Hi-Limit) input L.E.D. indicator
- 10) "Sail" (Sail Switch) input L.E.D. indicator
- 11) "Burn" (Burner Hi-Limit) input L.E.D. indicator
- 12) "Flame" (Burner Control Failure) input L.E.D. indicator
- 13) "Power Supply" L.E.D. indicator

- e. Open main door. The dryer must stop and **ALL** indicator dots of the microprocessor controller (computer) light emitting diode (L.E.D.) display must go out. (Refer to the **illustration on page 50.**)
- f. Try to restart the dryer with the main door open.
- g. The microprocessor controller (computer) board's L.E.D. display must read "MAIN dOOR."
- h. Close the main door and restart the dryer.
- i. Functional check of microprocessor controller (computer) board is complete.

1. For Models With Hot Surface Ignition (HSI) Module (CE Version)

- 1) Replace the flame sensor wire from the S2 terminal to the HSI module.

light will light for up to approximately 5-seconds (self check routine). If the HSI module's "red" indicator light stays on or flashes continuously, then the HSI module is wired incorrectly or has failed.



- c. Start the drying cycle.
- d. The HSI will turn on, and after approximately 4-seconds the ignitor will shut off and the gas valve will be energized. Ignition (flame) **should now be** established.
- e. With the burner flame on, remove the flame sensor wire from the S2 terminal of the HSI module. The burner flame must shut off immediately.
- f. Stop the drying cycle, with the flame sensor wire still removed, restart the drying cycle.
- g. The HSI will turn on, and after a few seconds later the gas valve will be energized and the HSI will shut off. Ignition (flame) **should be** evident for approximately 7-seconds and then shut off.
- h. The HSI module will attempt to light burner only "once." If flame is not reestablished the HSI module will lockout and the "red" indicator light will flash continuously.
- i. Functional check of the HSI module is complete.

- 1) Replace the flame sensor wire from the S2 terminal to the HSI module.

SECTION X

BURNER AND BASKET (TUMBLER)/LINT CHAMBER **MANUAL RESET HI-LIMIT INSTRUCTIONS**

IMPORTANT

MANUAL RESET HI-LIMIT INSTRUCTIONS

FOR TIMER OR PHASE 5 WITHOUT HEAT FAULT

(GAS MODELS ONLY)

This dryer was manufactured with a burner and basket (tumbler)/lint chamber burner manual reset hi-limit thermostat. If either burner manual reset hi-limit thermostat is open prior to the start of the drying cycle, or during the cycle, the dryer will not recognize the open state of the burner hi-limit thermostat and will start or continue through the drying cycle with no heat. The applicable manual reset hi-limit thermostat **must be** reset manually.

This hi-temperature condition may be caused due to a restricted exhaust, poor airflow, or improper burner oven operation.

The location of the burner manual reset hi-limit switch is on the right side of the burner box.

IMPORTANT

This dryer is equipped with a burner hi-limit and tumbler/lint chamber hi-limit ~~thermostat which must be reset manually.~~

WARNING: Discontinue power to dryer before attempting to reset hi-limit.

ADC P/N:114093

IMPORTANT

MANUAL RESET HI-LIMIT INSTRUCTIONS

FOR TIMER OR PHASE 5 WITHOUT HEAT FAULT
(ELECTRIC or STEAM MODELS ONLY)

This dryer was manufactured with a burner and basket (tumbler)/lint chamber burner manual reset hi-limit thermostat. If the manual reset thermostat is open prior to the start of the drying cycle, or during the cycle, the dryer will not recognize the open state of the burner hi-limit thermostat and will start or continue through the drying cycle with no heat. The applicable manual reset hi-limit **must be** reset manually.

This hi-temperature condition may be caused due to a restricted exhaust, poor airflow, or improper heating unit operation.

The location of the burner manual reset hi-limit switch is in the lint chamber area.

WARNING: Discontinue electrical power to the dryer before attempting to reset hi-limit.

IMPORTANT

This dryer is equipped with a lint chamber hi-limit thermostat which must be reset manually.

WARNING: Discontinue power to dryer before attempting to reset hi-limit.

ADC P/N:114501



Free Manuals Download Website

<http://myh66.com>

<http://usermanuals.us>

<http://www.somanuals.com>

<http://www.4manuals.cc>

<http://www.manual-lib.com>

<http://www.404manual.com>

<http://www.luxmanual.com>

<http://aubethermostatmanual.com>

Golf course search by state

<http://golfingnear.com>

Email search by domain

<http://emailbydomain.com>

Auto manuals search

<http://auto.somanuals.com>

TV manuals search

<http://tv.somanuals.com>