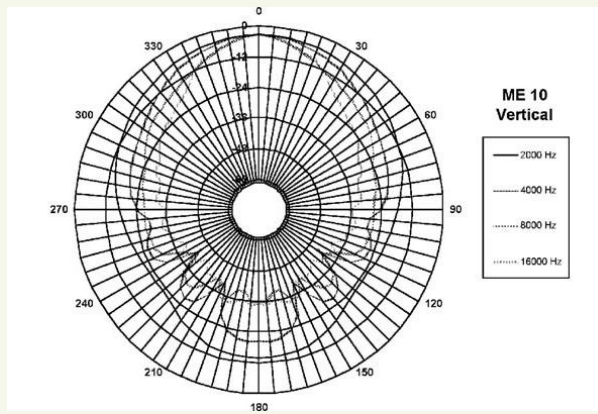
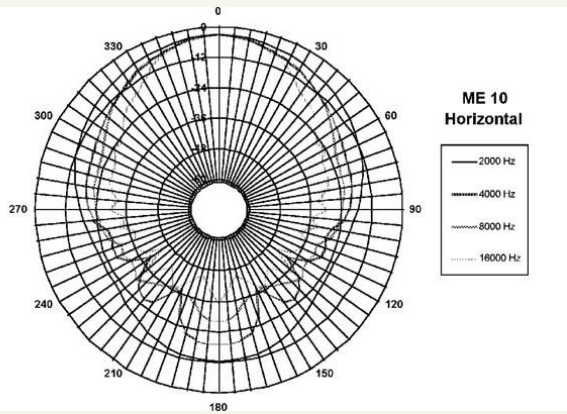




ME10

Horns

1" throat entry
 90° x 60° nominal coverage
 Hyperbolic cosine flare
 Very good loading down to 1.5 kHz



Specifications

Throat Diameter (1)	25 mm (1 in)
Nominal Coverage Horizontal	90°
Nominal Coverage Vertical	60°
Cutoff Frequency	1.5 kHz
Material	ABS
Dimensions	130.5x130.5x90 mm (5.1x5.1x3.5 in)

Mounting and Shipping Info

Four 6 mm (0.25 in) holes 90° on 76 mm (3 in) diameter	
Baffle Cutout Dimensions	104x104 mm (4.1x4.1 in)
Net Weight (1 unit)	0.15 kg (0.33 lb)
Shipping Weight (20 unit)	6 kg (13.2 lb)
Shipping Box (20 unit)	540x350x390 mm (21.2x13.8x15.3 in)

¹Horn mounted on B&C DE10 compression driver

Horns
 HF Drivers
 Coaxials
 LF Nd Drivers
 LF Drivers



Free Manuals Download Website

<http://myh66.com>

<http://usermanuals.us>

<http://www.somanuals.com>

<http://www.4manuals.cc>

<http://www.manual-lib.com>

<http://www.404manual.com>

<http://www.luxmanual.com>

<http://aubethermostatmanual.com>

Golf course search by state

<http://golfingnear.com>

Email search by domain

<http://emailbydomain.com>

Auto manuals search

<http://auto.somanuals.com>

TV manuals search

<http://tv.somanuals.com>