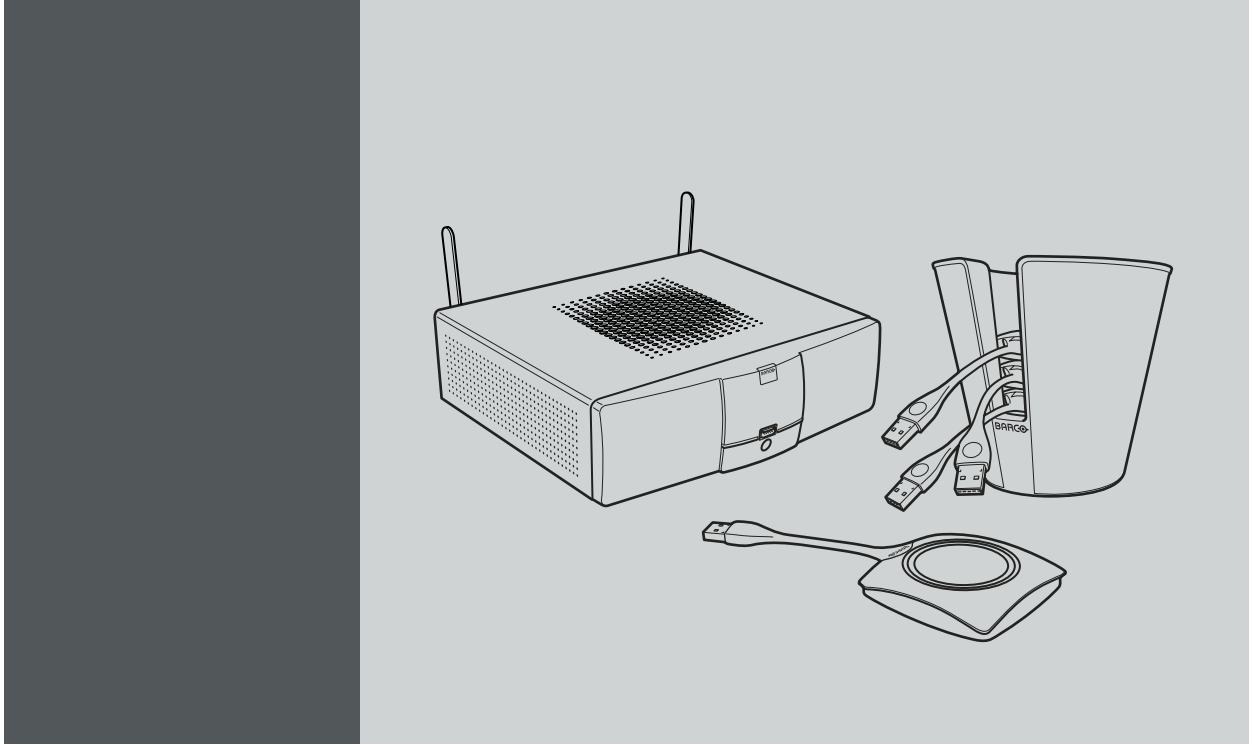


ClickShare



Installation Guide

R5900004/05
19/08/2014

BARCO

visibly yours

Barco nv
President Kennedypark 35, 8500 Kortrijk, Belgium
Phone: +32 56.23.32.11
Fax: +32 56.26.22.62
Support: www.barco.com/esupport
Visit us at the web: www.barco.com

Printed in China

Changes

Barco provides this manual 'as is' without warranty of any kind, either expressed or implied, including but not limited to the implied warranties or merchantability and fitness for a particular purpose. Barco may make improvements and/or changes to the product(s) and/or the program(s) described in this publication at any time without notice.

This publication could contain technical inaccuracies or typographical errors. Changes are periodically made to the information in this publication; these changes are incorporated in new editions of this publication.

The latest edition of Barco manuals can be downloaded from the Barco web site www.barco.com or from the secured Barco web site <https://www.barco.com/en/signin>.

Copyright ©

All rights reserved. No part of this document may be copied, reproduced or translated. It shall not otherwise be recorded, transmitted or stored in a retrieval system without the prior written consent of Barco.

Barco ClickShare End-User License Agreement (EULA/Software License)

PLEASE READ THIS DOCUMENT CAREFULLY BEFORE OPENING OR DOWNLOADING AND USING SOFTWARE OR HARDWARE PROVIDED TO YOU BY BARCO AS IT CONTAINS THE TERMS AND CONDITIONS BY WHICH BARCO OFFERS TO LICENSE THE SOFTWARE. BY OPENING THE SOFTWARE PACKAGE, OR USING THE HARDWARE IN WHICH THE SOFTWARE IS EMBEDDED, YOU AGREE TO BECOME BOUND BY THE TERMS OF THIS AGREEMENT.

The Software as supplied by BARCO is licensed, not sold to you, on a non-exclusive basis for use only under the terms of this license, and BARCO reserve all rights not expressly granted to you. You may own the carrier on which the Software is provided, but the Software is owned and copyrighted by BARCO or by third party suppliers. Your license confers no title or ownership and is not a sale of any rights in the Software or its documentation.

By installing, executing and/or using the Software, either as initial version or as an upgrade, update, patch or enhancement of a prior release, this Software License shall supersede any terms and conditions previously agreed upon (whether or not in writing) between Barco and you with respect to the subject matter of this Software License and such previous terms shall from the date hereof cease to have any force or effect; provided, however that this Software License shall not be construed as a renunciation, discharge or waiver of any right or remedy provided in any terms and conditions previously agreed upon with respect to a failure of either party to perform any of its obligations under any terms and conditions previously agreed upon.

Software Specifications

The Software contains the following software products: ClickShare

Software License Terms

1. This Software License is between you and BARCO NV, a corporation organized and existing under the laws of Belgium registered under number BE 0473.191.041, Commercial Companies' Register of Kortrijk, having its registered office President Kennedypark, 35 at B-8500 Kortrijk, Belgium ("Barco") for the use of the Software.
You hereby undertake to inform all users authorized by you to make use of the computing device on which the Software is loaded/installed ("Authorized Users") of the terms of this Software License and to bind all Authorized Users to accept all such terms of this Software License as applies to them.
2. Barco grants you a limited, non-exclusive, non-assignable, non-transferable user license (without the right to grant sublicenses). Unless specifically agreed upon otherwise between you and Barco or unless specifically allowed by the Software (or its DRM management) itself, i) the license under this Software License applies to one (1) copy of the Software to be used on one single computing device and ii) installation on a computing device that may be concurrently accessed by more than one user shall not constitute a permitted use and a separate license is required for each active user connected to a computing device on which the Software is being used.
You and Authorized Users are entitled to use the Software for the purposes and in the manner set out in this Software License (and documentation), but neither you nor any Authorized User are entitled to: (i) sell or grant a security interest in the Software to other parties in any way, or to rent, lease or sub-license the Software to others without the express prior written consent of Barco; or (ii) exploit the Software or any of its component parts for any commercial purpose, other than use by you and/or Authorized Users of the Software.
Neither you nor any Authorized User may, whether in whole or in part, copy, translate, reverse engineer, derive source code from, modify, disassemble, decompile, create derivative works based on the Software, or remove any proprietary notices or labels on the Software, save as may be permitted by law or this Software License, without the prior consent, in writing, of Barco.
3. Barco (and Barco's licensors, as appropriate) retain ownership of all intellectual property rights in the Software and any copies you or any Authorized User may make of such Software. The Software is protected by national copyright laws, international copyright treaties and conventions, and other applicable laws. All rights not expressly licensed to you in this Software License are reserved to Barco and Barco's licensors, as appropriate. The Software contains certain other licensed materials and Barco's licensors may protect their rights in the event of any violation of this Software License.

4. Barco shall hold you harmless, defend and indemnify you from and against direct damages, losses and expenses arising from infringement or alleged infringement of any patent, trademark or copyright of such third party by the license and the right to install the Software as permitted by this Software License and settle at its sole expense any amounts awarded in a final judgment or settlement resulting therefrom, under the condition that (i) you promptly notify Barco in writing after a claim has been asserted against you or the commencement of any claim, action, suit or proceeding (whichever is the earlier), and (ii) Barco shall be allowed to assume sole control of the defense and any settlement negotiations related to any claim, action, suit or proceeding, and (iii) you shall not negotiate, settle or compromise any claim, action, suit or proceeding without the prior written consent of Barco and (iv) you, at your cost, shall cooperate with Barco and provide assistance and support, as may reasonably be required by Barco, in connection with the defense and any settlement negotiations related to any claim, action, suit or proceeding. Barco shall have no indemnity obligation for any Software, or any portion thereof, (i) that is based on specifications, drawings, models or other data furnished by you or, (ii) that is not provided by Barco or, (iii) that is modified, in spite of the prohibition for you to modify the software or, (iv) to the extent that you continue allegedly infringing activity after having been provided modifications that avoid the alleged infringement, or (v) where the use of the Software, or the combination or thereof with other Software, processes or materials or the distribution thereof rather than the Software itself is the primary cause of an alleged infringement. In case it has been determined by a finally awarded judgment that Barco infringed or misappropriated such third party rights or earlier, at Barco's discretion, it may, at its option and cost, (i) modify the Software in such a way that it shall not infringe upon or misappropriate the rights of the third party or (ii) obtain for you a license or other right to use the rights allegedly infringed or (iii) replace the Software in question with non-infringing Software. The remedies set forth in this paragraph shall constitute your sole and exclusive remedy and Barco's sole and exclusive liability for a third party claim that the Software infringes or misappropriates any intellectual property right of a third party.
5. The duration of this Software License will be from the date of your acceptance (as set forth above) of the Software (whereby you acknowledge that use of the Software implies acceptance), with no termination date, unless otherwise specified. You may terminate this Software License at any time by destroying all copies of the Software then in your possession and returning all associated materials and documentation, to Barco or the appointed Barco reseller that sold or provided these to you. Barco may terminate this Software License forthwith by informing you at any time if you and/or any Authorized User are in breach of any of the Software License's terms.
6. YOU UNDERSTAND THAT THE SOFTWARE IS BEING PROVIDED TO YOU "AS IS". BARCO DOES NOT MAKE NOR INTENDS TO MAKE ANY WARRANTIES OR REPRESENTATIONS, EXPRESS OR IMPLIED AND SPECIFICALLY DISCLAIMS ALL IMPLIED WARRANTIES OF MERCHANTABILITY FITNESS, FOR A PARTICULAR PURPOSE AND NON-INFRINGEMENT OF INTELLECTUAL PROPERTY AND DOES NOT WARRANT THAT THE SOFTWARE WILL BE FREE FROM ERRORS OR THAT SUCH ERRORS WILL BE CORRECTED BY BARCO AND YOU ARE SOLELY RESPONSIBLE FOR ALL COSTS AND EXPENSES ASSOCIATED WITH RECTIFICATION, REPAIR OR DAMAGE CAUSED BY SUCH ERRORS.
YOU ALSO ACKNOWLEDGE AND AGREE THAT:
BARCO ACCEPTS NO LIABILITY FOR ANY DAMAGES, LOSSES OR CLAIMS YOU OR ANY THIRD PARTY MAY SUFFER AS A RESULT OF YOUR USE OF THE SOFTWARE. IN JURISDICTIONS WHERE BARCO'S LIABILITY CANNOT BE EXCLUDED, BARCO'S LIABILITY FOR DIRECT DAMAGES SHALL BE LIMITED TO AN AMOUNT OF 250 EURO IN THE AGREGATE (OR TO THE MAXIMUM EXTENT PERMITTED BY LAW WHERE NO FURTHER EXCLUSION IS LEGALLY ALLOWED).
TO THE MAXIMUM EXTENT PERMITTED BY LAW, IN NO EVENT WILL BARCO BE LIABLE FOR ANY INDIRECT, SPECIAL, PUNITIVE, INCIDENTAL OR CONSEQUENTIAL LOSS OR DAMAGES OF ANY KIND WHICH MAY ARISE OUT OF OR IN CONNECTION WITH THE SOFTWARE, THIS SOFTWARE LICENSE OR THE PERFORMANCE OR PURPORTED PERFORMANCE OF OR FAILURE IN THE PERFORMANCE OF BARCO'S OBLIGATIONS UNDER THIS SOFTWARE LICENSE OR FOR ANY ECONOMIC LOSS, LOSS OF BUSINESS, CONTRACTS, DATA, GOODWILL, PROFITS, TURNOVER, REVENUE, REPUTATION OR ANY LOSS ARISING FROM WORK STOPPAGE, COMPUTER FAILURE OR MALFUNCTION OF THE SOFTWARE AND ANY AND ALL OTHER COMMERCIAL DAMAGES OR LOSSES WHICH MAY ARISE IN RESPECT OF USE OF THE SOFTWARE, EVEN IF BARCO HAS BEEN ADVISED OF THE POSSIBILITY OF THEIR OCCURRENCE.
YOU HEREBY AGREE TO INDEMNIFY, KEEP INDEMNIFIED, DEFEND AND HOLD HARMLESS BARCO AND BARCO'S AFFILIATES AND SUBSIDIARIES FROM AND AGAINST ANY AND ALL ACTIONS, PROCEEDINGS, LIABILITY, LOSS, DAMAGES, FEES AND COSTS (INCLUDING ATTORNEYS' FEES), AND OTHER EXPENSES INCURRED OR SUFFERED BY BARCO ARISING OUT OF OR IN CONNECTION WITH ANY BREACH BY YOU OF THE TERMS OF THIS SOFTWARE LICENSE.
7. You shall treat as confidential all information obtained from the other pursuant to this Software License which is marked "confidential" or the equivalent or has the necessary quality of confidence about it and shall not divulge such information to any persons without Barco's prior written consent provided that this Paragraph 7 shall not extend to information which was rightfully in the possession of you prior to the commencement of the negotiations leading to this Software License, which is already public knowledge or becomes so at a future date (otherwise than as a result of a breach of this paragraph 7), is required to be disclosed by law or which is trivial or obvious. You are aware of and ensure to comply with the provisions of this paragraph 7. The foregoing obligations as to confidentiality shall survive any termination of this Software License.
8. You will remain responsible for the maintenance of your hardware, operating system, the functioning of your network and in keeping your systems virus-free. You acknowledge that the Software is a complex computer software application, and that the performance thereof may vary depending hardware platform, software interactions and configuration. You acknowledge that the Software is not designed and produced specifically to meet your specific requirements and expectations and the selection of the Software by you is entirely your own choice and decision. For the avoidance of doubt, nothing in this Software License shall impose any obligation on Barco to provide support services (on the Software or any other hardware or software product).

9. This Software License is the only understanding and agreement between you and Barco for use of the Software by you and/or Authorized Users. The Software License supersedes all other communications, understandings or agreements we had prior to this Software License (with the exception of any continuing confidentiality agreement) although nothing in this Software License purports to exclude liability for fraudulent misrepresentation. You may not export or re-export the Software or any copy or adaptation in violation of any applicable laws or regulations. This Software License shall not be altered, amended or varied. If any provision of this Software License is determined to be illegal, void or unenforceable, or if any court of competent jurisdiction in any final decision so determines, this Software License shall continue in full force save that such provision shall be deemed to be deleted with effect from the date of such decision, or such earlier date, and shall be replaced by a provision which is acceptable by law and which embodies the intention of this Software License as close as possible.
10. You acknowledge that this Software may be subject to U.S. or other governments Export Jurisdiction. You agree to comply with all applicable international and national laws that apply to the Software, including the U.S. Export Administration Regulations, as well as end-user, end-use, and destination restrictions issued by the U.S. or other governments.
11. Barco shall be entitled to sub-contract all or any of Barco's obligations hereunder to a third party and/or any of Barco's affiliated companies.
12. The construction, validity and performance of this Software License shall be governed in all respects by the laws of Belgium without recourse to its conflict of law principles. All disputes arising in any way out of or affecting this Software License shall be subject to the exclusive jurisdiction of the courts of Kortrijk, without prejudice to enforcement of any judgment or order thereof in any other jurisdiction. The United Nations Convention on Contracts for the International Sale of Goods (the "Convention") shall not apply to this Software License, however, if the Convention is deemed by a court of competent jurisdiction to apply to this Software License, Barco shall not be liable for any claimed non-conformance of the Software under Article 35(2) of the Convention.

Trademarks Software License Terms

Brand and product names mentioned in relation to the Software may be trademarks, registered trademarks or copyrights of their respective (third party) holders. All such brand and product names mentioned in relation to the Software serve as comments or examples and are not to be understood as advertising for the products or their manufacturers.

Privacy Policy

You acknowledge and agree that the Software is gathering technical information about the functionality of the products which are connected through the Software ("Functional Information") and that Barco may make use of such Functional Information (with the exclusion of any personal data) for any reason Barco sees fit, including but not limited to providing services to you / your organization, allowing third party to access to such Functional Information and/or to provide services to you / your organization .

You hereby explicitly give consent that Barco may gather, access, preserve, and/or disclose the personal data you provide to us (e.g. connected with your account allowing for the gathering of Functional Information as well as any content associated with that account) as well as personal information we receive from you through the use of the Software:

- For the benefit of the business purposes of Barco and/or its affiliates;
- In order to provide, maintain, protect and/or improve the Software and to develop new software;
- For administration of the relationship between you, your organization and Barco and/or its affiliates ;
- For any other legitimate purpose (including i) direct marketing purposes from Barco, its affiliates or selected third parties, and ii) allowing third parties to provide services to you related to the Software);
- if required to do so by law or in a good faith belief that such access preservation or disclosure is reasonably necessary to:
 - Satisfy any applicable law, regulation, legal process or enforceable governmental request;
 - Enforce this Software License, including investigation of potential violations hereof;
 - Detect, prevent, or otherwise address fraud, security or technical issues (including, without limitation, the filtering of spam);
 - Protect against imminent harm to the rights, property or safety of Barco, its users or the public as required or permitted by law.

Barco shall not process any "sensitive information" whatsoever, including but not limited to medical information.

You understand that the technical processing and transmission of or by the Software, including your content, may involve:

- Transmissions over various networks;
- Changes to conform and adapt to technical requirements of connecting networks, devices and/or services.

You hereby explicitly give consent that Barco may export your personal data to any country worldwide, especially to any country where Barco and/or its affiliates have infrastructure, or where a third party is making available infrastructure to Barco and/or its affiliates, to process personal data.

Barco fully adheres to the EU Directive 95/46/EC on the protection of individuals with regard to the processing of personal data and the free movement of such data, as implemented in the local EU member states. In accordance with these regulations, you have a right of access to, and rectification of, your personal data. You may exercise these rights by contacting Barco.

Open Source Software provisions:

This product contains software components released under an Open Source license. A copy of the source code is available on request by contacting your Barco customer support representative.

EACH SEPARATE OPEN SOURCE SOFTWARE COMPONENT AND ANY RELATED DOCUMENTATION ARE PROVIDED "AS IS" WITHOUT EXPRESS OR IMPLIED WARRANTY INCLUDING, BUT NOT LIMITED TO, THE IMPLIED WARRANTIES OF MERCHANTABILITY AND FITNESS FOR A PARTICULAR PURPOSE. IN NO EVENT SHALL THE COPYRIGHTHOLDER OR ANY OTHER CONTRIBUTOR BE LIABLE FOR DIRECT, INCIDENTAL, SPECIAL, EXEMPLARY OR CONSEQUENTIAL DAMAGES, EVEN IF ADVISED OF THE POSSIBILITY OF SUCH DAMAGES, HOWEVER CAUSED AND ON ANY THEORY OF LIABILITY, WHETHER IN CONTRACT, STRICT LIABILITY, OR TORT (INCLUDING NEGLIGENCE OR OTHERWISE) ARISING IN ANY WAY OUT OF THE USE OF THIS OPEN SOURCE SOFTWARE. MORE INFORMATION/DETAILS IS TO BE FOUND IN EACH SPECIFIC OPEN SOURCE LICENSE.

Copyright on each Open Source Software component belongs to the respective initial copyright holder, each additional contributor and/or their respective assignee(s), as may be identified in the respective documentation, source code, README file, or otherwise. You shall not remove or obscure or otherwise alter the respective copyrights.

You acknowledge living up to the conditions of each separate Open Source Software license.

In the development of the Software, the following Open Source Software components have been used (an updated list may be made available through the (customer section of the) Barco website or other (online) means):

Open Source component	Open Source License
alsa-lib	http://www.gnu.org/licenses/gpl.html http://www.gnu.org/licenses/lgpl.html
alsa-utils	http://www.gnu.org/licenses/gpl.html http://www.gnu.org/licenses/lgpl.html
alsa-plugins	http://www.gnu.org/licenses/gpl.html http://www.gnu.org/licenses/lgpl.html
busybox	http://opensource.org/licenses/GPL-2.0
dropbear	http://opensource.org/licenses/mit-license.php
fakeroot	http://www.gnu.org/licenses/gpl.html
linux	http://www.gnu.org/licenses/old-licenses/gpl-2.0.html
gmp	http://www.gnu.org/licenses/lgpl.html
iproute2	http://www.gnu.org/licenses/gpl.html
kobs-ng	http://www.gnu.org/licenses/gpl.html
rsync (<3.0.0)	http://www.gnu.org/licenses/old-licenses/gpl-2.0.html
rsync (>=3.0.0)	http://www.gnu.org/licenses/gpl.html
uClibc	http://www.gnu.org/licenses/lgpl.html
wireless_tools	http://www.gnu.org/licenses/gpl.html
wpa_supplicant	http://opensource.org/licenses/BSD-3-Clause
imx-bootlets	http://www.gnu.org/licenses/gpl.html
Crypto++	http://www.cryptopp.com/License.txt
libresample	http://www.gnu.org/licenses/lgpl.html
libjpeg-turbo	http://opensource.org/licenses/BSD-3-Clause
acpid	http://www.gnu.org/licenses/gpl.html
avahi	http://www.gnu.org/licenses/lgpl.html
coreutils	http://www.gnu.org/licenses/gpl.html
crda	http://opensource.org/licenses/ISC
cron	http://opensource.org/licenses/ISC
dbus	http://www.gnu.org/licenses/old-licenses/gpl-2.0.html
dhcpcd	http://opensource.org/licenses/ISC
dmidecode	http://www.gnu.org/licenses/old-licenses/gpl-2.0.html

Open Source component	Open Source License
e2fsprogs	http://www.gnu.org/licenses/old-licenses/gpl-2.1.html
eglibc	http://www.gnu.org/licenses/lgpl.html
ethtool	http://www.gnu.org/licenses/lgpl.html
gdbserver	http://www.gnu.org/licenses/lgpl.html
grub	http://www.gnu.org/licenses/lgpl.html
gststreamer	http://www.gnu.org/licenses/lgpl.html
hdparm	http://opensource.org/licenses/BSD-3-Clause
hostapd	http://opensource.org/licenses/BSD-3-Clause
i2c-tools	http://www.gnu.org/licenses/old-licenses/gpl-2.0.html
iftop	http://www.gnu.org/licenses/old-licenses/gpl-2.0.html
iperf	http://opensource.org/licenses/BSD-3-Clause
iptables	http://www.gnu.org/licenses/old-licenses/gpl-2.0.html
iw	http://opensource.org/licenses/BSD-3-Clause
acl	http://www.gnu.org/licenses/old-licenses/gpl-2.0.html
attr	http://www.gnu.org/licenses/old-licenses/gpl-2.0.html
libarchive	http://opensource.org/licenses/bsd-license.php
libav	http://www.gnu.org/licenses/old-licenses/lgpl-2.1.html
libcap2	http://www.gnu.org/licenses/gpl.html
libdaemon0	http://www.gnu.org/licenses/old-licenses/lgpl-2.1.html
libdrm2	http://opensource.org/licenses/MIT
libexpat1	http://opensource.org/licenses/MIT
libfontconfig1	http://opensource.org/licenses/BSD-3-Clause
libfontenc1	http://opensource.org/licenses/BSD-3-Clause
freetype	http://freetype.sourceforge.net/FTL.TXT http://www.gnu.org/licenses/old-licenses/gpl-2.0.html
libgcc1	http://www.gnu.org/licenses/gpl.html
libgcrypt11	http://www.gnu.org/licenses/gpl.html http://www.gnu.org/licenses/lgpl.html http://www.gnu.org/copyleft/fdl.html
libglib-2	http://www.gnu.org/licenses/old-licenses/lgpl-2.1.html
libgnutls26	http://www.gnu.org/licenses/lgpl.html
libgpg-error0	http://www.gnu.org/licenses/gpl.html http://www.gnu.org/licenses/lgpl.html http://www.gnu.org/copyleft/fdl.html
libjpeg8	BSD like licensee
libnl2	http://www.gnu.org/licenses/lgpl.html
libnss-mdns	http://www.gnu.org/licenses/gpl.html
libpam	http://www.gnu.org/licenses/old-licenses/gpl-2.0.html
libpcap	http://opensource.org/licenses/BSD-3-Clause
libpcre0	http://opensource.org/licenses/BSD-3-Clause

Open Source component	Open Source License
libpixmap-1-0	http://changelogs.ubuntu.com/changelogs/pool/main/p/pixmap/pixmap_0.10.0-0ubuntu1/libpixmap-1-0.copyright
libpng12-0	http://www.libpng.org/pub/png/src/libpng-LICENSE.txt
libpopt0	http://opensource.org/licenses/MIT
libsm6	
libstdc++6	http://www.gnu.org/licenses/gpl.html
libtalloc2	http://www.gnu.org/licenses/lgpl.html
libusb	http://www.gnu.org/licenses/old-licenses/lgpl-2.1.html
libxml2	http://opensource.org/licenses/MIT
libz1	Free license
lighttpd	http://opensource.org/licenses/BSD-3-Clause
lmsensors	http://www.gnu.org/licenses/gpl.html
logrotate	http://www.gnu.org/licenses/gpl.html
makedevs	http://www.gnu.org/licenses/gpl.html
memtest86plus	http://www.gnu.org/licenses/gpl.html
mesa	http://opensource.org/licenses/MIT
module-init-tools	http://www.gnu.org/licenses/old-licenses/gpl-2.0.html
modutils	http://www.gnu.org/licenses/old-licenses/gpl-2.0.html
monit	http://www.gnu.org/licenses/gpl.html
ncurses	http://opensource.org/licenses/MIT
netbase	http://www.gnu.org/licenses/old-licenses/gpl-2.0.html
openssh-sftp-server	http://opensource.org/licenses/BSD-3-Clause
openssl	http://www.openssl.org/source/license.html
opkg	http://www.gnu.org/licenses/old-licenses/gpl-2.0.html
pciutils	http://www.gnu.org/licenses/old-licenses/gpl-2.0.html
perl	http://perldoc.perl.org/perlartistic.html http://www.gnu.org/licenses/old-licenses/gpl-1.0.html
php	http://www.php.net/license/3_01.txt
procps	http://www.gnu.org/licenses/gpl.html
qt	http://qt-project.org/doc/qt-5.0/qtdoc/gpl.html
read-edid	Free license
rgb	
rockbox-imxtools	http://www.gnu.org/licenses/old-licenses/gpl-2.0.html
rsyslog	http://www.gnu.org/licenses/gpl.html
splashutils	http://www.gnu.org/licenses/gpl.html
strace	http://opensource.org/licenses/BSD-3-Clause
sysfsutils	http://www.gnu.org/licenses/old-licenses/gpl-2.0.html
sysvinit	http://www.gnu.org/licenses/old-licenses/gpl-2.0.html
tcpdump	http://opensource.org/licenses/BSD-3-Clause
ttf-arphic-uming	
ttf-dejavu-common	

Open Source component	Open Source License
ttf-dejavu-sans-mono	
ttf-dejavu-sans	
ttf-sazanami-gothic	
ttf-sazanami-mincho	
ttf-un-fonts	
udev	http://www.gnu.org/licenses/old-licenses/gpl-2.0.html
update-modules	http://www.gnu.org/licenses/old-licenses/gpl-2.0.html
update-rc	http://www.gnu.org/licenses/old-licenses/gpl-2.0.html
usbutils	http://www.gnu.org/licenses/old-licenses/gpl-2.0.html
util-linux-ng	http://www.gnu.org/licenses/gpl.html x
server-xorg	http://opensource.org/licenses/MIT
zeroconf	http://www.gnu.org/licenses/gpl.html
node.js	https://raw.githubusercontent.com/joyent/node/v0.10.26/LICENSE
express	http://opensource.org/licenses/MIT
passport	http://opensource.org/licenses/MIT
passport-http	http://opensource.org/licenses/MIT

Trademarks

Brand and product names mentioned in this manual may be trademarks, registered trademarks or copyrights of their respective holders. All brand and product names mentioned in this manual serve as comments or examples and are not to be understood as advertising for the products or their manufacturers.

Guarantee and Compensation

Barco provides a guarantee relating to perfect manufacturing as part of the legally stipulated terms of guarantee. On receipt, the purchaser must immediately inspect all delivered goods for damage incurred during transport, as well as for material and manufacturing faults Barco must be informed immediately in writing of any complaints.

The period of guarantee begins on the date of transfer of risks, in the case of special systems and software on the date of commissioning, at latest 30 days after the transfer of risks. In the event of justified notice of complaint, Barco can repair the fault or provide a replacement at its own discretion within an appropriate period. If this measure proves to be impossible or unsuccessful, the purchaser can demand a reduction in the purchase price or cancellation of the contract. All other claims, in particular those relating to compensation for direct or indirect damage, and also damage attributed to the operation of software as well as to other services provided by Barco, being a component of the system or independent service, will be deemed invalid provided the damage is not proven to be attributed to the absence of properties guaranteed in writing or due to the intent or gross negligence or part of Barco.

If the purchaser or a third party carries out modifications or repairs on goods delivered by Barco, or if the goods are handled incorrectly, in particular if the systems are commissioned operated incorrectly or if, after the transfer of risks, the goods are subject to influences not agreed upon in the contract, all guarantee claims of the purchaser will be rendered invalid. Not included in the guarantee coverage are system failures which are attributed to programs or special electronic circuitry provided by the purchaser, e.g. interfaces. Normal wear as well as normal maintenance are not subject to the guarantee provided by Barco either.

The environmental conditions as well as the servicing and maintenance regulations specified in the this manual must be complied with by the customer.

EN55022/CISPR22 Class A ITE (Information Technology Equipment)

Class A ITE is a category of all other ITE which satisfies the class A ITE limits but not the class B ITE limits. Such equipment should not be restricted in its sale but the following warning shall be included in the instructions for use:

Warning : This is a class A product. In a domestic environment this product may cause radio interference in which case the user may be required to take adequate measures.

Federal Communication Commission Interference Statement

You are cautioned that changes or modifications not expressly approved by the part responsible for compliance could void the user's authority to operate the equipment.

This equipment has been tested and found to comply with the limits for a Class A digital device, pursuant to Part 15 of the FCC Rules. These limits are designed to provide reasonable protection against harmful interference when the equipment is operated in a commercial environment. This equipment generates, uses, and can radiate radio frequency energy and, if not installed and used in accordance with the instruction manual, may cause harmful interference to radio communications. Operation of this equipment in a residential area is likely to cause harmful interference in which case the user will be required to correct the interference at his own expense.

If this equipment does cause interference with radio communications services, which can be determined by turning the equipment off and on, you are encouraged to try to correct the interference by one or more of the following measures:

- Reorient or relocate the receiving antenna.
- Increase the separation between the equipment and receiver.
- Connect the equipment into an outlet on a circuit different from that to which the receiver is connected.
- Consult the dealer or an experienced radio/TV technician for help.

This device complies with Part 15 of the FCC Rules. Operation is subject to the following two conditions:

1. this device may not cause harmful interference, and
2. this device must accept any interference received, including interference that may cause undesired operation of the device.

FCC RF Radiation Exposure Statement: This device is capable of operating in 802.11a mode. For 802.11a devices operating in the frequency range of 5.15 - 5.25 GHz, they are restricted for indoor operations to reduce any potential harmful interference for Mobile Satellite Services (MSS) in the US. WIFI Access Points that are capable of allowing your device to operate in 802.11a mode (5.15 - 5.25 GHz band) are optimized for indoor use only. If your WIFI network is capable of operating in this mode, please restrict your WIFI use indoors to not violate federal regulations to protect Mobile Satellite Services.

Base Unit FCC ID: RYK-WPEA-121N

Button FCC ID: 2AAED-CLSBTN

Compliance Anatel (Brasil)

1. Este produto está homologado pela Anatel, de acordo com os procedimentos regulamentados pela Resolução nº 242/2000, e atende aos requisitos técnicos aplicados, incluindo os limites de exposição da taxa de absorção específica referente a campos elétricos, magnéticos e eletromagnéticos de radiofrequência de acordo com as resoluções nº 303/2002 e 533/2009. Para maiores informações, consulte o site da Anatel - www.anatel.gov.br
2. Este equipamento opera em caráter secundário, isto é, não tem direito a proteção contra interferência prejudicial, mesmo de estações do mesmo tipo, e não pode causar interferência a sistemas operando em caráter primário.

Canada, Industry Canada (IC) Notices

This device complies with Industry Canada licence-exempt RSS standard(s). Operation is subject to the following two conditions: (1) this device may not cause interference, and (2) this device must accept any interference, including interference that may cause undesired operation of the device.

Radio Frequency (RF) Exposure Information

The radiated output power of the Barco Wireless Device is below the Industry Canada (IC) radio frequency exposure limits. The Barco Wireless Device should be used in such a manner such that the potential for human contact during normal operation is minimized.

Base Unit IC ID: IC: 4104 A-AR5BHB116

Button IC ID: 9393B-CLSBTN

IC Antenna statement

Under Industry Canada regulations, this radio transmitter may only operate using an antenna of a type and maximum (or lesser) gain approved for the transmitter by Industry Canada. To reduce potential radio interference to other users, the antenna type and its gain should be so chosen that the equivalent isotropically radiated power (e.i.r.p.) is not more than that necessary for successful communication.

This radio transmitter 4104 A-AR5BHB116 has been approved by Industry Canada to operate with the antenna types listed below with the maximum permissible gain and required antenna impedance for each antenna type indicated. Antenna types not included in this list, having a gain greater than the maximum gain indicated for that type, are strictly prohibited for use with this device.

Type: Dipole

Maximum Peak Gain: 2 dBi

Impedance: 50 Ohm

Canada, avis d'Industry Canada (IC)

Le présent appareil est conforme aux CNR d'Industrie Canada applicables aux appareils radio exempts de licence. L'exploitation est autorisée aux deux conditions suivantes : (1) l'appareil ne doit pas produire de brouillage, et (2) l'utilisateur de l'appareil doit accepter tout brouillage radioélectrique subi, même si le brouillage est susceptible d'en compromettre le fonctionnement.

Informations concernant l'exposition aux fréquences radio (RF)

La puissance de sortie émise par l'appareil de sans fil Barco est inférieure à la limite d'exposition aux fréquences radio d'Industry Canada (IC). Utilisez l'appareil de sans fil Barco de façon à minimiser les contacts humains lors du fonctionnement normal.

IC ID Unité de Base: 4104 A-AR5BHB116

IC ID Button : 9393B-CLSBTN

Déclaration d'antenne d'Industrie Canada (IC)

Conformément à la réglementation d'Industrie Canada, le présent émetteur radio peut fonctionner avec une antenne d'un type et d'un gain maximal (ou inférieur) approuvé pour l'émetteur par Industrie Canada. Dans le but de réduire les risques de brouillage radioélectrique à l'intention des autres utilisateurs, il faut choisir le type d'antenne et son gain de sorte que la puissance isotrope rayonnée équivalente (p.i.r.e.) ne dépasse pas l'intensité nécessaire à l'établissement d'une communication satisfaisante.

Le présent émetteur radio 4104 A-AR5BHB116 a été approuvé par Industrie Canada pour fonctionner avec les types d'antenne énumérés ci-dessous et ayant un gain admissible maximal et l'impédance requise pour chaque type d'antenne. Les types d'antenne non inclus dans cette liste, ou dont le gain est supérieur au gain maximal indiqué, sont strictement interdits pour l'exploitation de l'émetteur.

Type: Dipole

Gain maximum: 2 dBi

Impédance: 50 Ohm

根據NCC低功率電波輻射性電機管理辦法 規定

第十二條	經型式認證合格之低功率射頻電機，非經許可，公司、商號或使用者均不得擅自變更頻率、加大功率或變更原設計之特性及功能。
第十四條	低功率射頻電機之使用不得影響飛航安全及干擾合法通信；經發現有干擾現象時，應立即停用，並改善至無干擾時方得繼續使用。 前項合法通信，指依電信法規定作業之無線電通信。 低功率射頻電機須忍受合法通信或工業、科學及醫療用電波輻射性電機設備之干擾。

底座 CCAF11LP0930T5

按鈕 CCAJ13LP1890T2

KCC Statement

기본 장치	등록번호 KCC-RMM-BVY-CLICKBASE 기자재의 명칭 : 무선데이터통신시스템용 무선기기 모델명 : CLICKSHARE-BASE 본 기기는 내부에 인증 받은 무선모듈(인증번호 : ATH-AR5BHB116)을 내장하고 있음 본 기기와 20 cm 이상 떨어져서 사용하시기 바랍니다
버튼	등록번호 KCC-CRM-BVY-CLICKBUTTON 기자재의 명칭 : 특정소출력 무선기기(무선데이터통신시스템용 무선기기) 모델명 : CLICKSHARE-BUTTON

사용자안내문

A급 기기 (업무용 방송통신기자재)

이 기기는 업무용(A급) 전자파적합기기로서 판매자 또는 사용자는 이 점을 주의하시기 바라며,

가정외의 지역에서 사용하는 것을 목적으로 합니다.

TABLE OF CONTENTS

1. Introduction to the Installation Guide	3
1.1 About this Guide	3
1.2 About the documentation	3
1.3 Symbols and fonts	4
2. ClickShare Specifications	5
2.1 About the ClickShare product	5
2.2 ClickShare specifications	6
2.3 ClickShare Link specifications	8
2.4 About the Base Unit	8
2.5 About the Button	11
2.6 About the Tray	13
2.7 Mobile Device Support	13
3. Getting started	15
3.1 Environmental Condition Check	15
3.2 Basic Workflow	15
4. ClickShare installation	17
4.1 Installation methods for the Base unit	17
4.2 Table mounting	18
4.3 Wall mounting	18
4.4 Ceiling mounting	19
4.5 Rack mounting	21
4.6 Recommendations about antenna placement and orientation	23
4.7 Video signal connections to the Base Unit	23
4.8 Audio connection	25
4.9 LAN connection	25
4.10 Power connection and switching on	26
4.11 Connecting an iOS device	27
5. Preparing the buttons	33
5.1 Pairing	33
5.2 Pre-install of the Launcher service	34
5.3 ClickShare launcher installer	35
6. Web Interface	37
6.1 Accessing the ClickShare Web Interface	37
6.2 Language setup Web interface	38
6.3 About ClickShare tabs	39
6.4 Basic settings	40
6.5 Wallpaper (background) selection	42
6.6 Personalized wallpapers	44
6.7 Display settings	46
6.8 Display output settings	47
6.9 On-screen text format	49
6.10 Audio settings	51
6.11 Advanced settings: Hostname	52
6.12 Advanced settings: LAN network settings	53
6.13 Advanced settings: WiFi settings	54
6.14 Advanced settings: access SSH	55
6.15 Advanced settings: Access web interface	56
6.16 Advanced settings: API configuration Settings	56
6.17 Integration, Polycom	57
6.18 Maintenance, status check ClickShare	59
6.19 Maintenance, Buttons information	60
6.20 Maintenance, update Buttons over WiFi	62
6.21 Configured Links	62
6.22 Calibrating a ClickShare Link	63
6.23 Base Unit software update	64
6.24 Downloads from Base Unit (launcher service)	66
6.25 Manage System Configuration	67
6.26 Load Default Settings	68
6.27 Administrator password	69
6.28 Integrator password	70
6.29 Log settings	71
6.30 ClickShare Help, Barco contact data	72
6.31 Barco ClickShare EULA	73
7. Software updates	75
7.1 Software update	75

Table of contents

8. Troubleshooting	77
8.1 Troubleshooting list	77
A. Environmental information	81
A.1 Disposal information	81
A.2 Rohs compliance	81
A.3 Production address	82
Index	83

1. INTRODUCTION TO THE INSTALLATION GUIDE

In this section you get a short introduction to the available ClickShare documentation.

- About this Guide
- About the documentation
- Symbols and fonts

1.1 About this Guide

Version

Partnumber	Description	Level
R5900004	Installation Guide	Installation engineer



Always check for the latest version of the manual on www.barco.com/clickshare Click on Visit the ClickShare product page and go to tab Downloads..



Depending on the version of your ClickShare, some graphics might be different to the ones used in this manual. This however does not have any effect on the functionality.

1.2 About the documentation

List of available ClickShare documents

The ClickShare documentation consists of the following manuals:

Guide	Article number
User Guide	R5900001
Quick Start Guide	R5900002
Installation Guide	R5900004
Safety Guide	R5900005
Service Guide	R5900006
Button Guide	R5900007
Rack Mount Guide	R5900008
Recycling Manual	R5900009
API Guide	R5900018








A printed copy of the Safety Guide and the Quick Start Guide is included in the ClickShare box at purchase. Please check www.barco.com/clickshare for the other documents. Click on Visit the ClickShare product page and go to tab Downloads.

This installation guide explains how to install ClickShare in a meeting room and how to use ClickShare Link in combination with an iPad; It explains also how to make everything operational. It provides detailed information on how to configure ClickShare.

1.3 Symbols and fonts

Symbol overview

The following icons are used in the manual :

	Caution
	Warning
	Info, term definition. General info about the term
	Note: gives extra information about the described subject
	Tip: gives extra advice about the described subject

Font overview

- Buttons are indicated in bold, e.g. **OK**.
- Menu items are indicated in *italic*.
- Step related notes, tips, warnings or cautions are printed in *italic*.
- Procedure related notes, tips, warnings or cautions are printed in **bold** between 2 lines preceded by the corresponding icon.

2. CLICKSHARE SPECIFICATIONS

About this chapter

It gives an overview the specifications of a ClickShare set and of the different components in the set.

Overview

- About the ClickShare product
- ClickShare specifications
- ClickShare Link specifications
- About the Base Unit
- About the Button
- About the Tray
- Mobile Device Support

2.1 About the ClickShare product

ClickShare sets

ClickShare makes connecting to the meeting room's video system a matter of clicking a Button. This one click wonder not only helps the presenter get the presentation on-screen in a second, but it also allows the other people in the meeting to participate more actively. The result is enhanced meeting efficiency and better decision-making.

At the moment 4 different sets are available on the market. Each set is sold in its specific region and it can only be used in that specific region.

Components ClickShare set

A standard ClickShare set consists of a Base Unit, a Tray and 4 Buttons. Depending on the location where you buy the product, the software of the Base Unit is different. If needed, you can buy additional Buttons and Trays.

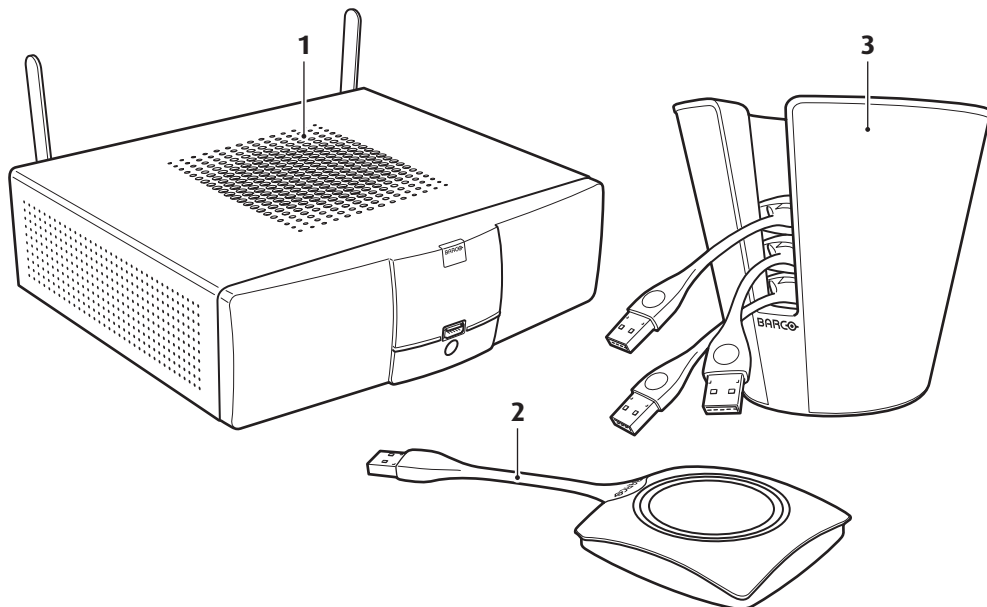


Image 2-1
ClickShare main components

1	Base unit
2	Button
3	Tray

Accessories included

Depending on the country where you buy the product, the following regionalized accessories are also included in the ClickShare box.

2. ClickShare Specifications

Regional version	Contains	Accessories included
R9861005EU	<ul style="list-style-type: none"> R9861006BEU 4x R9861006D01 R9861006T01 	<ul style="list-style-type: none"> power cables CEE7 and BS 1363 wall/ceiling mounting brackets a DVI to VGA converter
R9861005JP	<ul style="list-style-type: none"> R9861006BJP 4x R9861006D01 R9861006T01 	<ul style="list-style-type: none"> power cable JIS C8303 wall/ceiling mounting brackets a DVI to VGA converter
R9861005CN	<ul style="list-style-type: none"> R9861006BCN 4x R9861006D01 R9861006T01 	<ul style="list-style-type: none"> power cable GB 2099 wall/ceiling mounting brackets a DVI to VGA converter
R9861005NA	<ul style="list-style-type: none"> R9861006BNA 4x R9861006D01 R9861006T01 	<ul style="list-style-type: none"> power cable NEMA 5/15 wall/ceiling mounting brackets a DVI to VGA converter
R9861005WW	<ul style="list-style-type: none"> R9861006BEU 4x R9861006D01 R9861006T01 	<ul style="list-style-type: none"> power cables CEE7 and BS 1363 wall/ceiling mounting brackets a DVI to VGA converter

Contact your local sales representative for the correct regional variant to be used in your country.

Optional accessory: ClickShare Link

Order number: R9861001



Image 2-2
ClickShare Link

Using the optional ClickShare Link allows you to use your iPad with ClickShare.

Via a cable or wireless via Apple TV, the complete content of your iPad touchscreen is transferred to the meeting room screen

A ClickShare Link kit contains:

- 1 ClickShare Link unit
- 1 DVI to HDMI convertor
- 1 power adapter
- 4 power clips
- 1 USB cable

2.2 ClickShare specifications

Overview

Dimensions (HxWxD)	181mm (incl. antennas) x 260mm x 276mm (Min.) / 7.125" (incl. antennas) x 10.236" x 10.9" (Min.)
Weight	2.6 kg/5.75 lb

Lifetime	<p>MTBF = 40,000h (90% confidence level)</p> <p>MTBF = 100,000h (60% confidence level)</p> <p>MTBF conditions:</p> <ul style="list-style-type: none"> • Environment: Ground Benign • Temperature: 25°C • Method: MIL-HDBK-217F Notice 2
Altitude	Max 3000m (9842 ft)
Humidity	<p>Storage: 0 to 90% relative humidity, non-condensing</p> <p>Operation: 0 to 85% relative humidity, non-condensing</p>
Temperature range	<p>Operating: +5°C to +40°C (+41°F to +104°F)</p> <p>Storage: -20°C to +60°C (-4°F to +140°F)</p>
Connections	<p>1x Ethernet LAN</p> <p>4x (back) + 1x (front) USB</p> <p>Analog line out on mini jack socket (3.5mm)</p> <p>Analog line in on mini jack socket (3.5mm)</p>
Band	2.4 GHZ and 5 GHz
Reach	Max. 30m (100 ft) between ClickShare Button and ClickShare Base Unit
Data rate wireless	Up to 300Mbps
Wireless transmission protocol	IEEE 802.11 a/g/n
Encryption	AES CCMP
Authentication protocol	WPA2-PSK
iPad, iPhone and Android compatibility	Available via ClickShare Presenter app for static content. For iOS devices, the optional ClickShare Link and AppleTV (version 3 or higher) can be used to show dynamic content, from ClickShare CSC Base Unit software v01.02.00.09 onwards
Audio	<p>Analog audio from ClickShare CSC Base Unit software v01.02.00.09 onwards</p> <p>Digital audio (embedded in DP signal) from ClickShare CSC Base Unit software v01.05.00.32 onwards</p>
Number of simultaneous connections	64
Number of sources simultaneous on screen	4
Noise Level	Max. 28dBA
Input Resolutions	Up to 2880x1800
Output resolution	<p>DVI WUXGA (1920x1200)</p> <p>DisplayPort panoramic format (2560x1600) available from ClickShare CSC Base Unit software v01.02.00.09 onwards</p>
Frame rate	Up to 30 fps (from software version V1.03.00.0001 onwards)
Video outputs	<p>DisplayPort, Single link DVI-I</p> <p>VGA (via included convertor, highest resolutions only with reduced blanking)</p> <p>In "Dual screen" mode, connection can occur either through DVI and DisplayPort, or through VGA and DisplayPort.</p>
Operating system	<p>Windows XP/Vista/7/8/8.1 32 & 64 bit</p> <p>Mac OSX 10.6/10.7/10.8/10.9</p> <p>Android 2.2 and later (ClickShare Presenter app)</p> <p>iOS 5.0 and later (ClickShare Presenter app)</p>

2. ClickShare Specifications

Warranty	3 years standard
System requirements	<p>PC minimum requirements:</p> <p>CPU: Intel Pentium Dual Core E2140 – 2 * 1600 Mhz (or equivalent: AMD Athlon 64 X2 3800+ - 2 * 2000 Mhz)</p> <p>Memory: 1024 MB RAM</p> <p>OS: Windows XP Pro/Home (SP3) (Windows Vista/7 supported, but requires more RAM)</p> <p>PC recommended requirements:</p> <p>CPU: Intel Core 2 Duo E4600 – 2 * 2400 Mhz (or equivalent: AMD Athlon 64 X2 4800+ - 2 * 2500 Mhz)</p> <p>Memory: 2048 MB RAM</p> <p>OS: Windows XP Pro/Home, Windows Vista, Windows 7, Windows 8</p> <p>MAC</p> <p>CPU: Intel Core 2 Duo</p> <p>Memory: 2048 MB RAM</p> <p>OS: Mac OS X 10.6, 10.7, 10.8</p>

2.3 ClickShare Link specifications

Overview

Dimensions	116 mm x 60 mm x 23 mm (4.57" x 2.36" x 0.91")
Weight	< 250g
Connection with Base Unit	USB
Video Input	Single link DVI
Video Output	USB mini type B
Power	Using external power adaptor (included in the package): <ul style="list-style-type: none"> • DC output: 5V, 2A • AC input: 100-240V, 50-60 Hz, 0.36A • Wall-plug type • Included AC clips: types A, C, G and I for world wide coverage
Power consumption	Maximum 5W
iPad, iPhone and Android compatibility	Support for iPad via cable or Apple TV HDMI and/or DVI cable not included in the package
Audio	No audio
HDCP	Not supported
Weight	170 g
Included in the package	<ul style="list-style-type: none"> • HDMI to DVI convertor • 3ft USB cable • DC adaptor • ClickShare Link

2.4 About the Base Unit



Base Unit

The Base Unit receives the wireless input from the Buttons and controls the content of the meeting room display and the sound of the meeting room's audio system.

The Base Unit can be installed in three different ways.

Front layout of the Base Unit

At the front of the Base Unit you can find a standby button, status LED strips and a USB port.

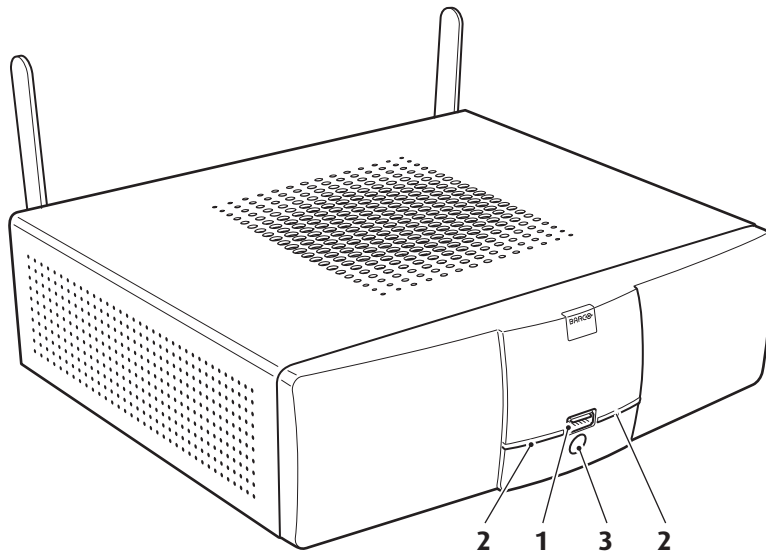


Image 2-3
Base Unit

1	USB port
2	Status LED strip
3	Standby button

Table 2-3

USB port

The USB port is used to update the software of both the Base Unit and the Buttons.

When plugging in the Button into the Base Unit, the Button is paired to the Base Unit. The Base Unit checks whether the Button's software and firmware are up to date. If not, the Base Unit updates the software and/or firmware.

To update the Base Unit software, download the latest version of the software from the Barco website. Copy the file on a USB stick and plug it into the USB port of the Base Unit. Follow the progress and instructions on the display.

Status LED strips

The color of the LEDs at the front of the Base Unit give information on the status of the system.

LEDs behavior	Explanation
static red	<ul style="list-style-type: none"> receiving content from the Buttons and streaming towards the display. pairing and software update of the Button is done. You can now unplug the Button from the Base Unit. during the first phase of the Base Unit boot process.
blinking white	<ul style="list-style-type: none"> system is starting up (during the second phase) Button pairing is in progress software update of the Base Unit
slow blinking white	<ul style="list-style-type: none"> standby mode (i.e. muting the display output)
static white	<ul style="list-style-type: none"> awake and ready (i.e. showing the welcome message on the display) pairing is done
red blinking	<ul style="list-style-type: none"> an error occurred

Standby button

The button at the front of the Base Unit has a power on/off function and a standby function.

2. ClickShare Specifications

- When the system is awake, a short push triggers the system to go into standby mode.
- When the system is in standby mode, a short push triggers the system to wake up.
- When the system is powered on, a long push makes the system to shut down and power off.
- When the system is shut down, a long push or short push triggers the system to start up.

Back layout of the Base Unit

At the back of the Base Unit you can find the rocker switch, the label, the ports and connectors of the Base Unit.

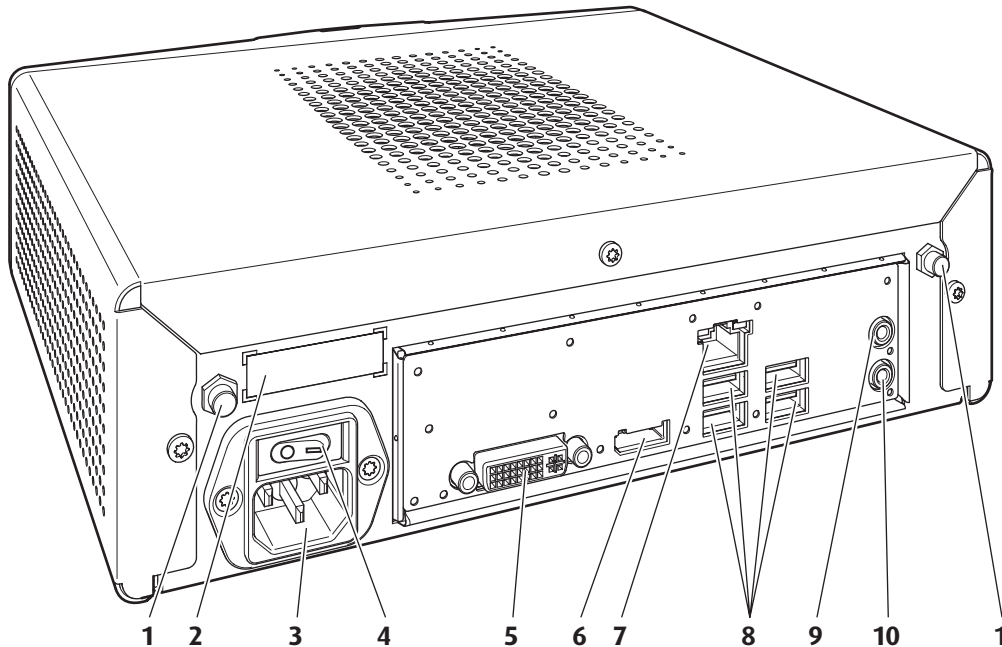


Image 2-4
Backside of the Base Unit

1	Fixture points for the antenna
2	Label containing the article number and power rating of the product
3	Mains power connector
4	Rocker switch
5	DVI-I display connector
6	DisplayPort connector
7	LAN Ethernet connection
8	4 USB ports
9	Audio In port
10	Audio Out port

Rocker switch

The rocker switch is used to power on and off the Base Unit.

- To switch on the Base Unit, set the rocker switch to "I".
- To shut down the system, set the rocker switch to "O".

Mechanical fixture points

The mechanical fixture points are located at the bottom of the Base Unit

Antenna

Two antennas are included in the ClickShare box. To avoid damage during transport, they are not pre-mounted. Depending on the installation method you should secure the antenna to the back of the Base Unit or to the front panel of the rack mount.

The antennas can rotate for a better wireless connection.

Usage of antennas other than the ones provided with the unit are allowed within the restrictions on usage of other antennas defined by local regulations. Barco does not take responsibility for damage or disturbance of other devices that may be caused by using a different antenna. The use of an active power amplifier is not allowed.

Antenna type : Dipole

Gain : Maximum 2dBi peak gain in 2.4GHz and 5Ghz band

Ventilation grids

Ventilation grids are foreseen on the top and both sides of the Base Unit.

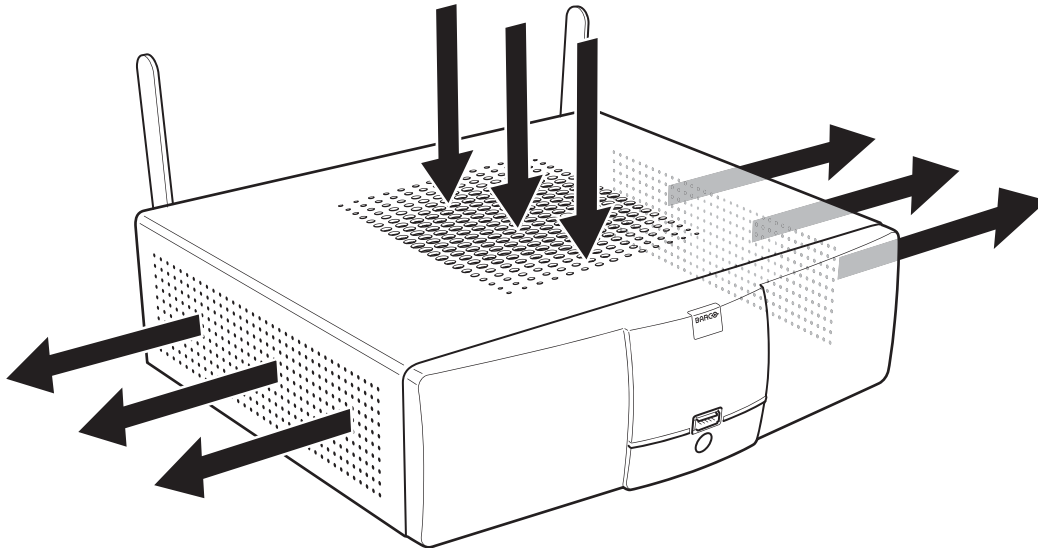


Image 2-5
Ventilation grids IN and OUT

The Base unit sucks air via the top ventilation grid and push hot air out on both sides.



Make sure not to cover the ventilation grids during operation of the Base Unit. Always keep a free area of minimum 50 mm in front of all ventilation grids.

Bottom layout of the Base Unit

The serial number label with the applicable certification logos is stuck at the bottom of the Base Unit.

The serial number label contains:

- the Barco logo
- the Barco part number
- the serial number
- the revision number
- the production date (month/year)
- markings for applicable standards (CE, CCC, UL, ...)
- markings for waste regulation
- "Made in ..."

2.5 About the Button



Button

A Button toggles the sharing of the individual PC or MAC screen on the meeting screen.

Button layout

A Button consists of three main components.

2. ClickShare Specifications

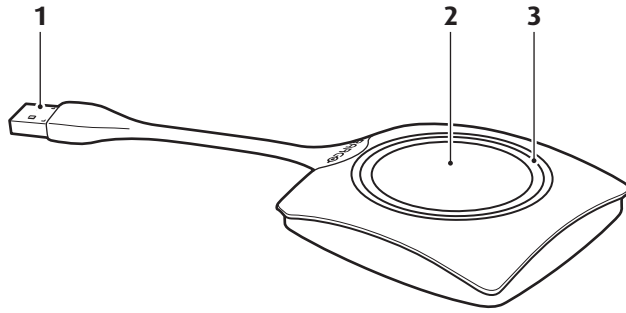


Image 2-6
Button layout

1	USB connector
2	Button
3	LED ring

Table 2-6

USB connector

Using the USB connector the Button can be plugged into a laptop (for sharing your screen) or the Base Unit (for pairing the Button to the Base Unit or updating its software).

Button

Click the Button to display the content of the laptop's screen on the meeting room display. Clicking the Button during the meeting will toggle the sharing of the screen.

Holding the button for 2 seconds brings the content of the laptop's screen as full screen on the meeting screen, removing other sources currently displayed.

LED ring

The LED ring indicates the current status of your ClickShare.

LEDs behavior	Explanation
white blinking	<ul style="list-style-type: none"> the Button is plugged in the laptop and initializing or waiting for the user to start the ClickShare application. pairing/software update of the Button in the Base Unit is in progress.
static white	<ul style="list-style-type: none"> ClickShare is ready to start sharing your screen. pairing is done. You can now unplug the Button from the Base Unit.
static red	<ul style="list-style-type: none"> sharing your screen with the display. pairing and software update is done. You can now unplug the Button from the Base Unit.
red blinking	<ul style="list-style-type: none"> an error occurred.
off (no light)	<ul style="list-style-type: none"> the Button is not or not properly inserted into the USB port. the Button might be defective. the USB port or computer might be defective.

Button label

The label at the bottom of the Button contains:

- the Barco logo
- the Barco part number
- the serial number
- the revision number
- the production date (week/year)
- markings for applicable standards (CE, CCC, UL, ...)
- markings for waste regulation
- "Made in..."



Handle the Button cable with care. Rough handling might cause defects.

2.6 About the Tray

Tray layout

The function of the Tray is to hold the Buttons on the table after the meeting is finished. The Tray can hold up to 5 Buttons.

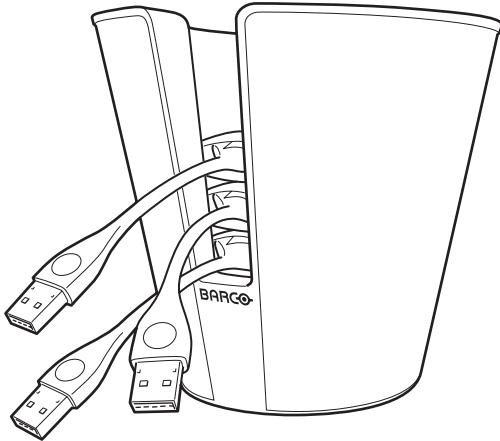


Image 2-7
Tray layout

Article number

The specific article number of the tray can be found at the bottom of it.



Do not clean the Tray with products containing alcohol.



Tray is passive, requires no power or batteries.



2.7 Mobile Device Support

Overview

The below list of Apps are supported by ClickShare and can be installed on your mobile device from Google Play or Apple App Store.

Before you can use your mobile device with ClickShare, you have to connect the mobile device Wi-Fi with the ClickShare Base Unit Wi-Fi. Follow the instructions as given in your mobile device user guide.

2. ClickShare Specifications

App	Used on	Logo
ClickShare Presenter	Android and iOS	
MirrorOp Sender for Galaxy	Samsung Galaxy only	

3. GETTING STARTED

Overview

- Environmental Condition Check
- Basic Workflow

3.1 Environmental Condition Check

Environment condition check

A device must always be mounted in a manner which ensures both air inlets and outlets are free. For installations in environments where the device is subject to excessive dust, then it is highly advisable and desirable to have this dust removed prior to it reaching the device clean air supply. Devices or structures to extract or shield excessive dust well away from the device are a prerequisite; if this is not a feasible solution then measures to relocate the device to a clean air environment should be considered.

It is the customer's responsibility to ensure at all times that the device is protected from the harmful effects of hostile airborne particles in the environment of the device. The manufacturer reserves the right to refuse repair if a device has been subject to negligence, abandon or improper use.

Ambient temperature conditions

Max. ambient temperature : +40°C or 104°F

Min. ambient temperature: +5°C or 41°F

Storage temperature: -20°C to +60°C (-4°F to 140°F)

Humidity Conditions

Storage: 0 to 90% relative humidity, non-condensing

Operation: 0 to 85% relative humidity, non-condensing

Environment

Do not install the device in a site near heat sources such as radiators or air ducts, or in a place subject to direct sunlight, excessive dust or humidity. Be aware that room heat rises to the ceiling; check that temperature near the installation site is not excessive.

3.2 Basic Workflow

Before using ClickShare

1. Unpack the ClickShare components and accessories from the box.
For a detailed overview of the content of the ClickShare box, see "About the ClickShare product", page 5.
2. Install the Base Unit in the meeting room using one of the 3 possible installation methods.
For more information on the installing procedures, see "ClickShare installation", page 17.
3. Connect the video signal(s) between the Base Unit and the display(s).
For more information on connecting the Base Unit, see "Video signal connections to the Base Unit", page 23.
4. Connect the audio from the Base Unit to the meeting room's sound system (Only required for audio via jack).
For more information, see "Audio connection", page 25.
5. If an iPad is allowed to participate, install the ClickShare Link and set up the necessary connections.
For more information, see "Connecting an iOS device", page 27.
6. Connect the Base Unit to the mains power and start up.
For more information, see "Power connection and switching on", page 26.
7. If configuration via a network is needed, connect a network cable between the Base Unit and the local network.
For more information, see "LAN connection", page 25.
8. If desired, configure ClickShare via the Web Interface.
For more information on the different ways to configure ClickShare, see "Accessing the ClickShare Web Interface", page 37.

ClickShare is ready to be used.

For more information on using ClickShare, refer to the ClickShare User Guide (R5900001). This manual can be found on Barco's website www.barco.com/clickshare. Click on **Visit the ClickShare product page** and go to tab **Downloads**.

4. CLICKSHARE INSTALLATION

About this chapter

The installation chapter gives an overview of the different ways to install the base unit of ClickShare, the possible connections and the use of ClickShare Link for an iPad connection.

Overview

- Installation methods for the Base unit
- Table mounting
- Wall mounting
- Ceiling mounting
- Rack mounting
- Recommendations about antenna placement and orientation
- Video signal connections to the Base Unit
- Audio connection
- LAN connection
- Power connection and switching on
- Connecting an iOS device



WARNING: Do not connect to the mains power during installation.



WARNING: Make sure the mains power connection to the Base Unit is accessible to the user at all times.



CAUTION: Mounting the Base Unit under a random angle is not allowed. It should be mounted horizontal or vertical according to the installation instructions.



WARNING: Only use the antennas that are delivered with the product. Other antennas are not allowed.



WARNING: Use a power cord which complies to local regulations. If not included in the box, contact your local dealer for a correct power cord.

4.1 Installation methods for the Base unit



For optimal performance, install the Base Unit close to the display and avoid obstacles between the Base Unit and the Buttons. Do not block the fan inlets and outlets of the Base Unit!

Introduction to the installation methods

The base unit can be installed in different ways in a meeting room:

- Table mounted
- Wall mounted
- Ceiling mounted
- Rack mounted

The antennas are removable. They can be fixed to the Base Unit depending on the way the Base Unit is installed in the room. The antennas can rotate for better wireless connection.



Using extension cables for the antennas is allowed, but this can reduce the performance.

4.2 Table mounting

Overview

Put the Base Unit directly on the meeting room table.

The total weight of the Base Unit is 2,6 kg.



CAUTION: When placing the Base Unit inside a closed cabinet, make sure there is sufficient ventilation for hot air exhaust.

4.3 Wall mounting

About wall mounting

Use the mounting brackets, inserted in the ClickShare box, to mount the Base unit on the wall.

The total weight of the Base Unit — including the mounting brackets — is 2,9 kg.

Necessary tools

- a drill (type of drill depends on the type of wall)
- Torx T10 screwdriver
- Additional screwdriver that matches the mounting screws (mounting screws not delivered)

Necessary parts

- 2 mounting screws
- 2 plugs
- Mounting brackets (included in the ClickShare box)

How to install

1. Drill two holes in the wall, at a distance of 173 mm (6.81 inch) from each other on a horizontal line.
2. Insert a plug in each hole (if needed, depends on the wall type) and drive in the 2 screws. Make sure not to drive in the screws fully so that the bracket can be hooked on the screws.
Note: *Mounting screws and plugs are not included in the ClickShare box . The type of screws and plugs depend on the type of wall (stone, wood, plasterboard, ...) you are mounting the Base Unit to. Make sure the head of the screw is not larger than the hole in the bracket.*
3. Install the brackets on the Base Unit as shown on image 4-1. Use the mechanical fixation points at the bottom of the Base Unit.
Note: *Use the pre-mounted Pan Head T10 M3 screws (refer to image 4-4) to mount the brackets. Remove them from the Base Unit and reuse them to fixate the brackets to the Base Unit.*

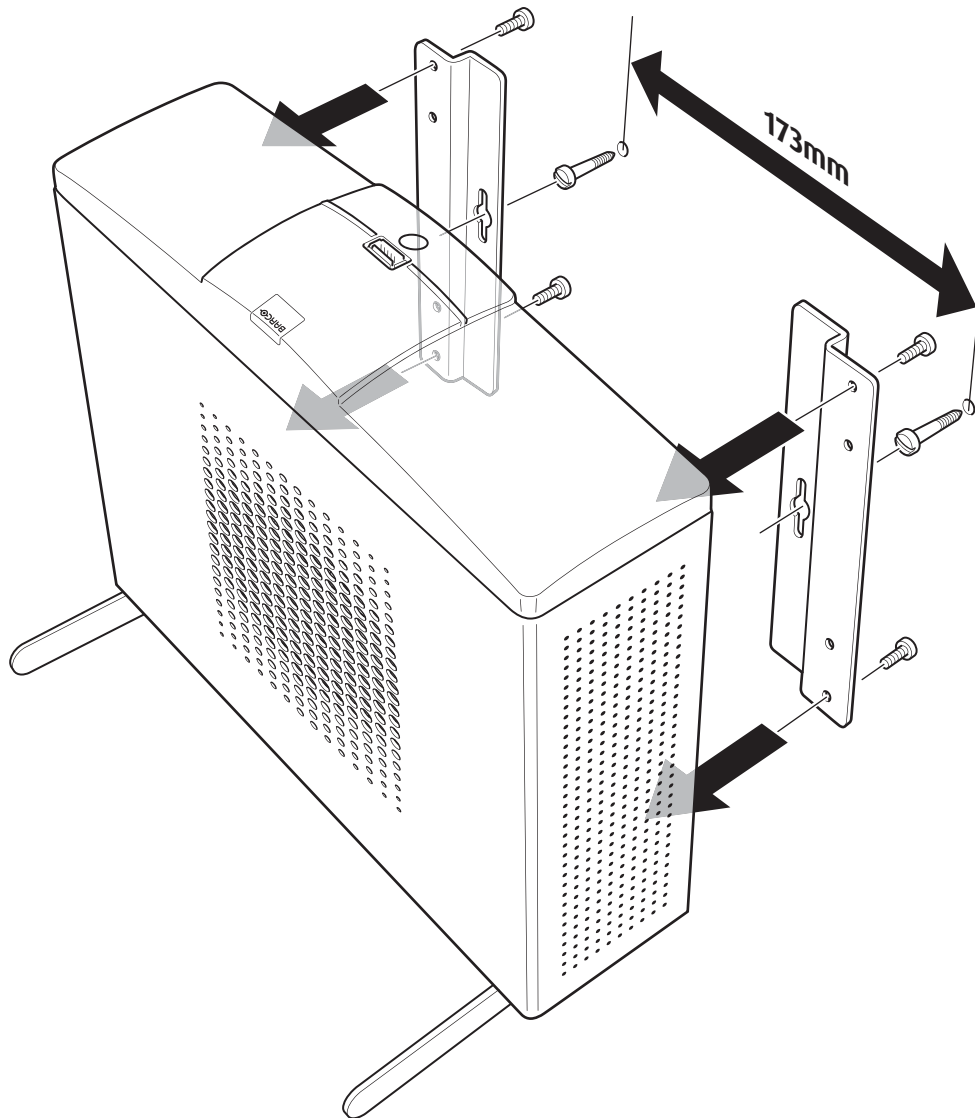


Image 4-1

4. To mount the Base unit on the wall, hook the slots in the brackets over the 2 screws in the wall (front side of the Base unit directed towards the ceiling or the floor) and pull it downward until it is secured.



CAUTION: It is only allowed to mount the Base Unit front side up or down. Mounting on its side is not allowed!

4.4 Ceiling mounting

About ceiling mounting

Use the mounting brackets, inserted in the ClickShare box, to mount the Base unit to the ceiling.



WARNING: Never use the “keyholes” in the mounting brackets to mount the Base unit to the ceiling !

Necessary tools

- a drill (type of drill depends on the type of ceiling and screw type)
- T10 torx screwdriver

4. ClickShare installation

Necessary parts

- Mounting brackets (included in the ClickShare box)
- 4 mounting screws and corresponding screwdriver (not included)

How to install

1. Drill four holes in the ceiling according to the dimensions indicated in the picture below (length: 277mm, depth: 157mm)

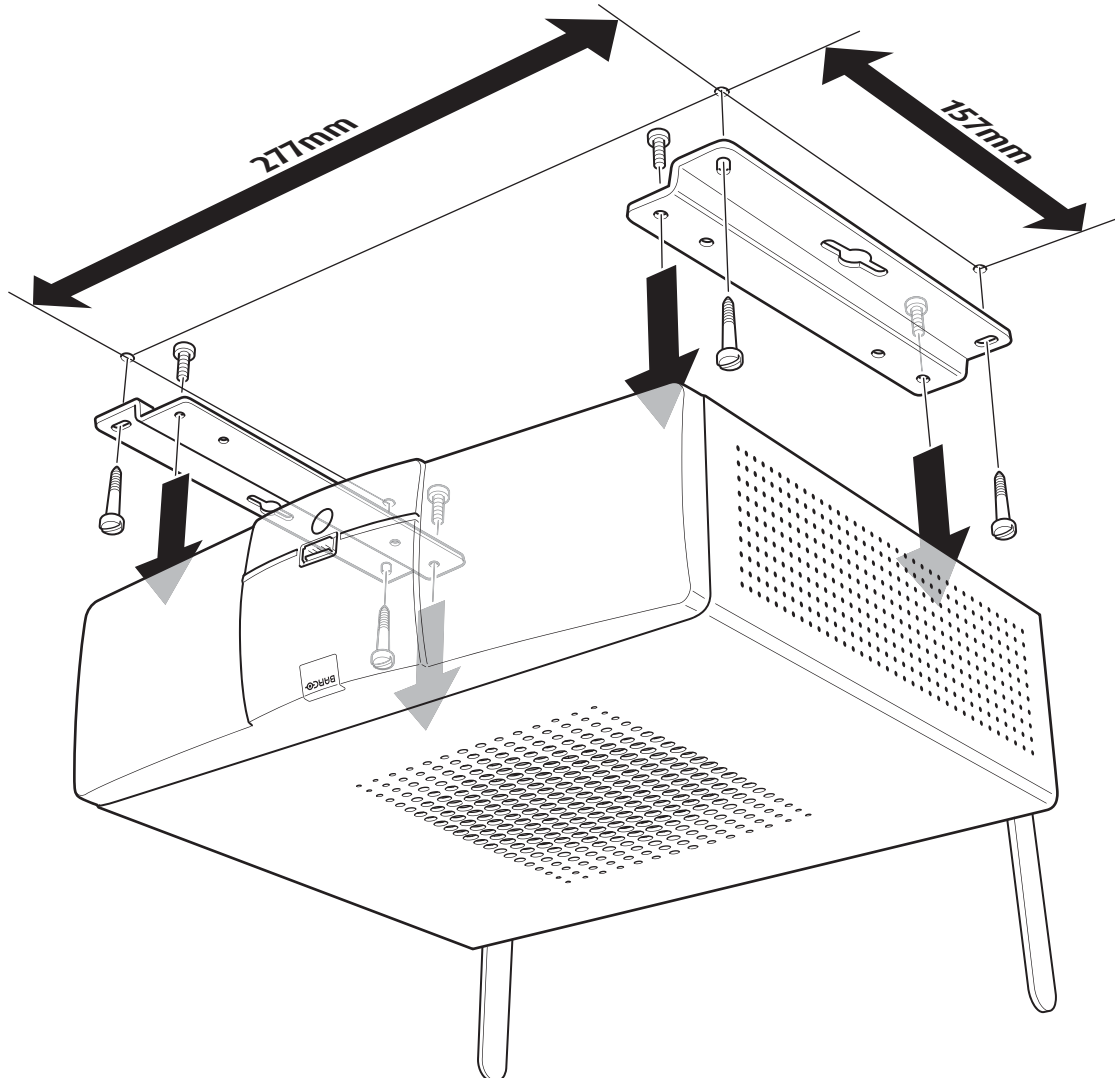


Image 4-2
Ceiling mount

2. Remove the four Pan Head T10 M3 screws at the bottom of the Base Unit.

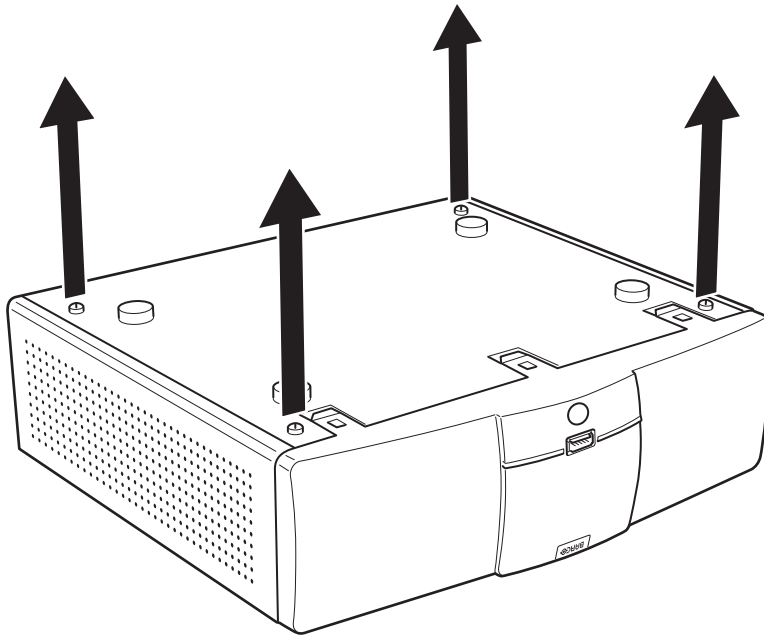


Image 4-3
Removal of pre-mounted screws

3. Install the mounting brackets to the Base Unit as shown on image 4-2. Drive in the four removed Pan Head T10 M3 screws to secure the brackets to the Base Unit.
4. Insert a plug in each hole (if needed and depending on the ceiling type) and drive in the 4 mounting screws.

Note: *Mounting screws and plugs are not included in the ClickShare box . The type of screws and plugs depends on the type of ceiling (stone, wood, plasterboard, ...) you are mounting the Base Unit to.*

Tip: *This procedure should be performed by two people: one person holding the Base Unit in place, one person tightening the screws.*

4.5 Rack mounting

About rack mounting

For meeting rooms with a dedicated AV rack, an optional Rack Mount for the ClickShare Base Unit is available. This integrates ClickShare seamlessly into the room's existing high-end AV installation. The rack mounting kit should be ordered separately.

Necessary free space in the rack is 3U.

The total weight of the Base Unit — including the rack mount plate — is 6,1 kg.

Necessary tools

- Torx T10 screwdriver
- Additional screwdriver that matches the mounting screws

Necessary parts

- A rack mount kit (to be ordered separately)
- 4 screws (included in the rack mount kit)

How to install

1. Remove the four Pan Head T10 M3 screws at the bottom of the Base Unit.

4. ClickShare installation

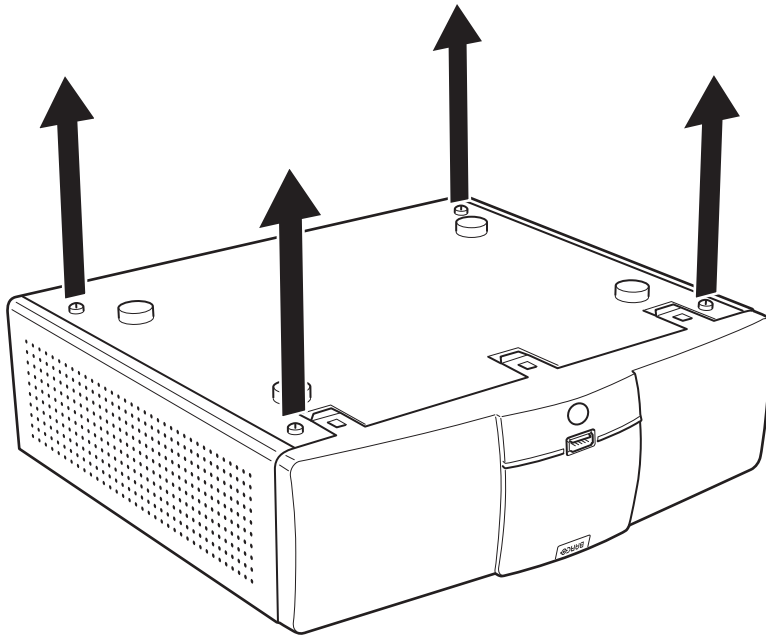


Image 4-4
Removal of pre-mounted screws

2. Place the Base Unit on the rack mount and drive in the four removed Pan Head T10 M3 screws. Refer to "1" on image 4-5.
3. Fasten the antenna to the front panel of the rack mount. Refer to "2" on image 4-5.

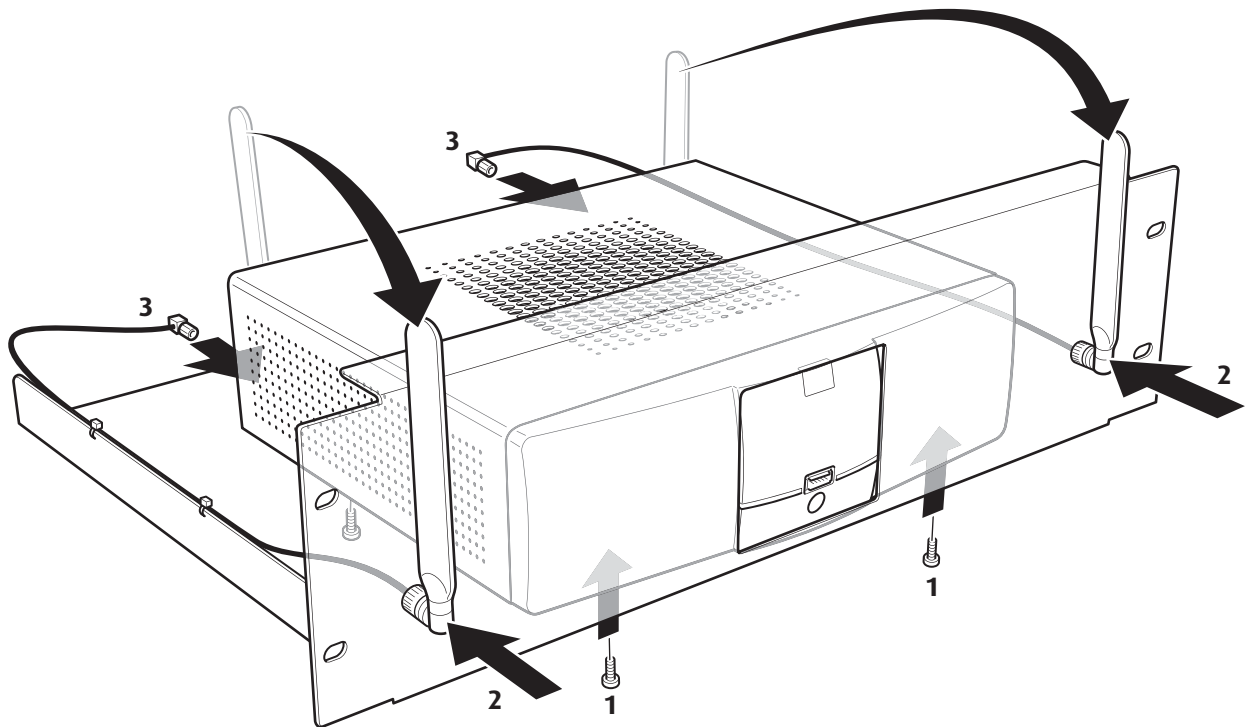


Image 4-5

4. Tighten the antenna cables to the back of the Base Unit. Refer to "3" on image 4-5.
5. Use the four included screws to mount the rack mount assembly into the dedicated AV rack.

4.6 Recommendations about antenna placement and orientation

Antenna placement rules

- The antennas should be oriented vertically, so perpendicular to the ceiling and parallel to the walls.
- The antennas should be installed far enough (at least 50cm/1.6ft) from metallic surfaces to avoid unwanted reflections and far enough (at least 1m/3.3ft) from other radio equipment that operates in the same frequency range, e.g. other Wi-Fi access points, cordless telephone, microwave ovens, It is also best to install antennas at least 15 cm (6 inches) from concrete walls.
- The most favorable situation is a direct line of sight between antennas and Buttons. Any obstruction will cause the signal to follow a longer propagation path, which can result in performance degradation.
- Due to the particular radio pattern of the dipole antennas, the antennas should not be placed just above potential positions of ClickShare users. As a result, the advised position for the antennas is at the side of the meeting room.

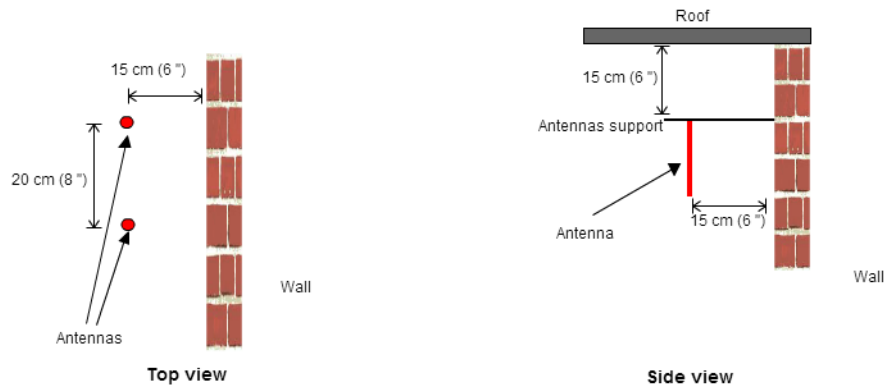


Image 4-6
Closer view of antennas installation in the meeting room

4.7 Video signal connections to the Base Unit



CAUTION: Make sure the Base Unit is installed properly before connecting.

About Video signal connection

Depending on the local setup, a single screen or dual screen setup is possible.

For a single screen setup, a DVI or DisplayPort connection should be made between the Base Unit and the display.

For a dual screen setup, a DVI and a DisplayPort connection should be made between the Base Unit and the displays.

To connect

1. Connect the Base Unit to the display(s) using display cables.
Refer to "1" on image 4-7.

4. ClickShare installation

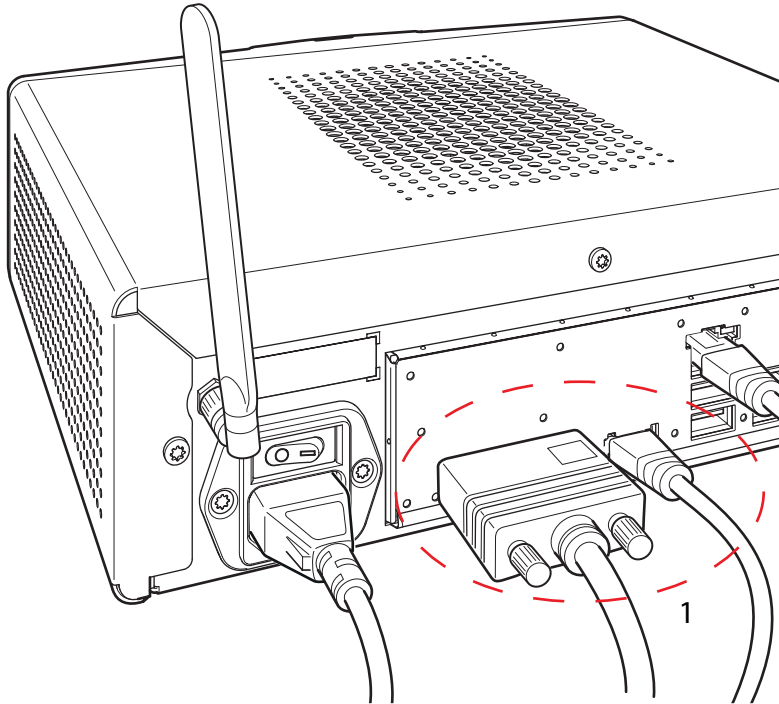


Image 4-7
Display cables connection

Note: Display cables are not included in the ClickShare box at purchase.

Supported types of displays are:

- Single Link DVI
- DisplayPort
- VGA: use the adapter included in the ClickShare box (reduced blanking on highest resolution)
- HDMI: use an adapter cable (not included in the box)
- 2560x1080 via Dual Link DVI: Use Barco kit B5606021.

When setting up a single display configuration, connect the DVI-I or the DisplayPort cable to the display.

When setting up a dual display configuration, connect the DVI-I connector with display 1 and the DisplayPort connector with display 2.

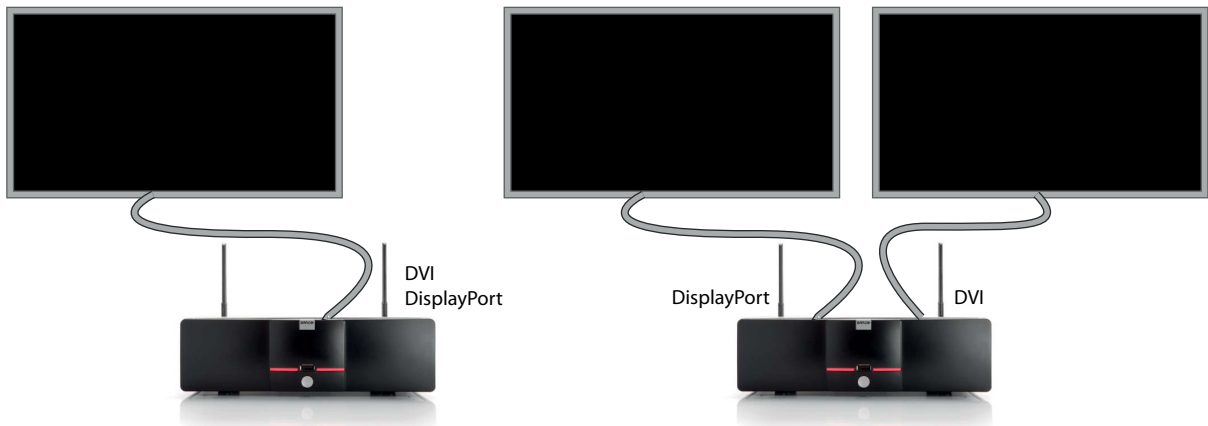


Image 4-8
Display connections

When the second display has no display port input, use an adapter from display port to DVI to connect the display. An active adapter is allowed. Use a USB port at the back side of the Base Unit to power the adapter.

4.8 Audio connection

About audio

The ClickShare Button captures the audio output of the user's laptop and sends it to the Base Unit together with the video signal. The Base Unit will then mix the audio signals from all Buttons that are sharing their content. The mixed audio will be output at line levels from the mini jack socket (3.5mm) (green connector on the back of the Base unit) or via the DisplayPort connector depending on the selection in the Web interface..

It is up to the user to decide whether or not to send the audio signal together with the video signal. The user can decide this by using the same tools as he would to control the laptop's speakers or a headphone: the audio controls of the operating system (eg for Windows: Control Panel > Sounds and audio devices) or the physical buttons on the keyboard of their laptop (mute/unmute, lower volume, higher volume).

There will be synchronization between the audio and video signal.

Audio via DisplayPort

When your display is connected via DisplayPort and it supports audio than a separate audio connection is not necessary. The audio signal can be sent together with the video signal to the display. Set in the web interface the audio setting to *digital*.

How to connect separate audio

1. Connect an audio cable with mini jack socket (3.5mm) into the audio out of the Base unit.

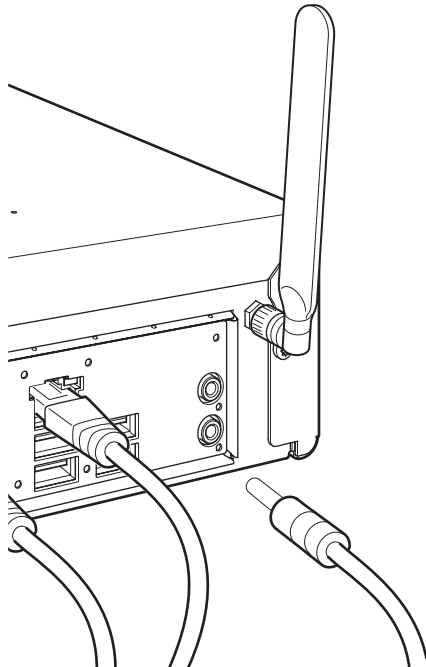


Image 4-9

2. Connect the other side to the meeting room's sound system.

Sound is not sent out

In some Windows environments sound is not sent out. This can be solved as follow:

1. Right click on the sound icon in the system tray and select *Playback devices*. The *Sound* window opens.
2. Select Speakers ClickShare, select *Set default* and click **Apply**.

4.9 LAN connection

About LAN connection

The Base Unit can be connected to a local network or directly to a laptop. For normal operation, a LAN connection is not necessary.

The LAN connection can be used:

- to configure your ClickShare unit
- to update the software
- for maintenance purposes

4. ClickShare installation

How to connect

1. Insert a network cable with RJ-45 connector into the LAN port.

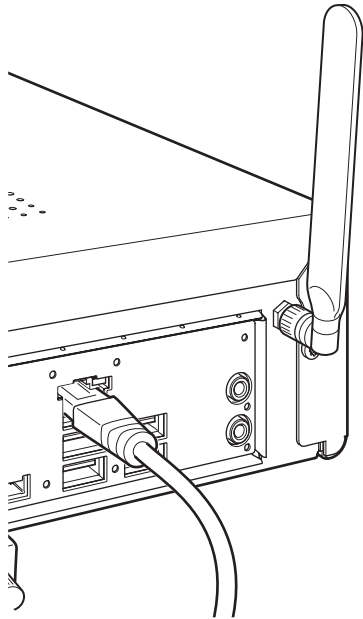


Image 4-10
LAN connection

2. Connect the other side to a LAN.

4.10 Power connection and switching on



WARNING: Use a power cord which complies to local regulations. If not included in the box, contact your local dealer for a correct power cord.

How to connect

1. Plug the power cable in the mains power connector at the back of the Base Unit

Note: The local variant of the power cable is included in the ClickShare box.

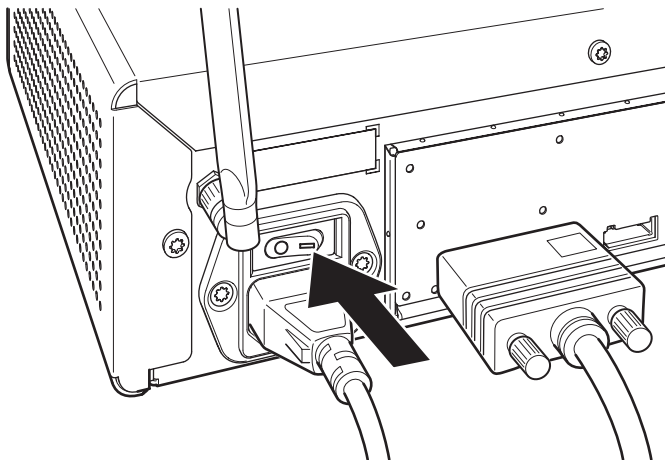


Image 4-11
Power connection

European version	Type C and type G
Japanese version	Type A
Chinese version	Type I CCC
North American version	Type A

2. To power on the unit, set the rocker switch to "1".

If the Base unit does not start up automatically, use the standby button.

The standby button at the front can now fully control the unit.

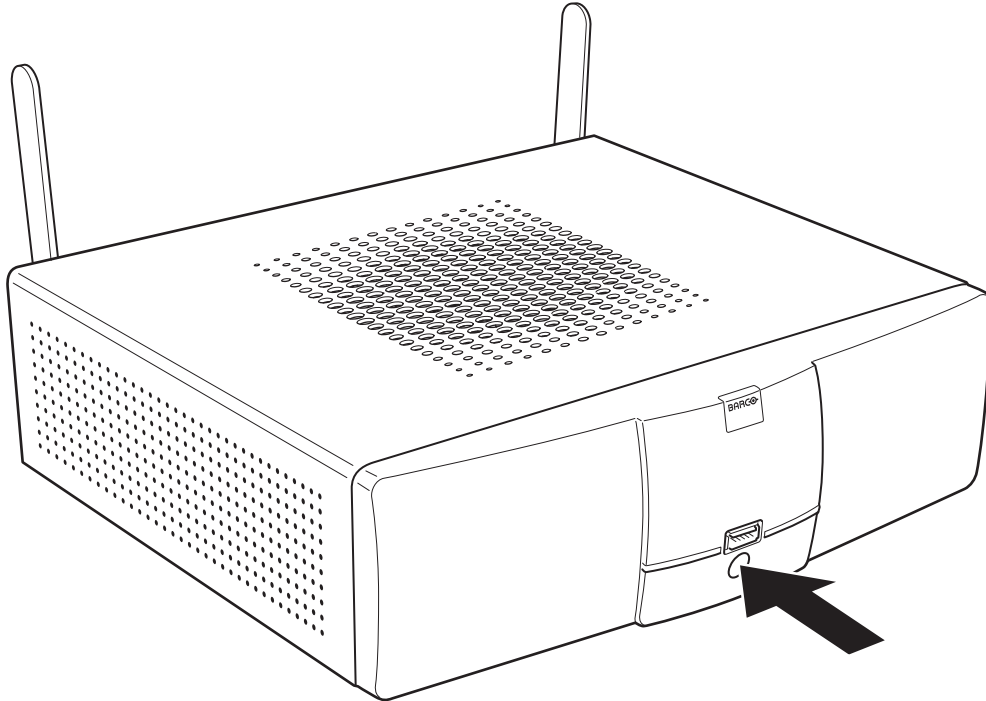


Image 4-12
Standby button

The standby button has the following functions:

- When the system is awake, a short push triggers the system to go into standby mode.
- When the system is in standby mode, a short push triggers the system to wake up.
- When the system is powered on, a long push causes the system to shut down and power off.
- When the system is shut down, a long push or short push triggers the system to start up.

4.11 Connecting an iOS device



The optional Hardware add-on ClickShare Link is needed to connect an iOS device.

About an iOS device connection

The ClickShare Link allows users to get the content from an iOS device touchscreen to the large meeting room screen. The iOS device behaves like an additional laptop. Note that the ClickShare Link only streams video, sound is not supported.

The ClickShare Link is to be attached to the (rear) USB port of the ClickShare Base Unit.

For the iOS device itself, there are two ways to connect to the ClickShare Link:

- Cable connection, requires an HDMI adapter for iOS device.
- Wireless, requires an Apple TV. AirPlay needs to be activated on the iOS device.

4. ClickShare installation



Only 1 iOS device and ClickShare Link combination allowed per ClickShare base Unit. Multiple iOS device can be used when using the ClickShare App.

Connection via cable

1. Connect a USB cable between the ClickShare Link USB port and one of the backside USB ports of the Base Unit.

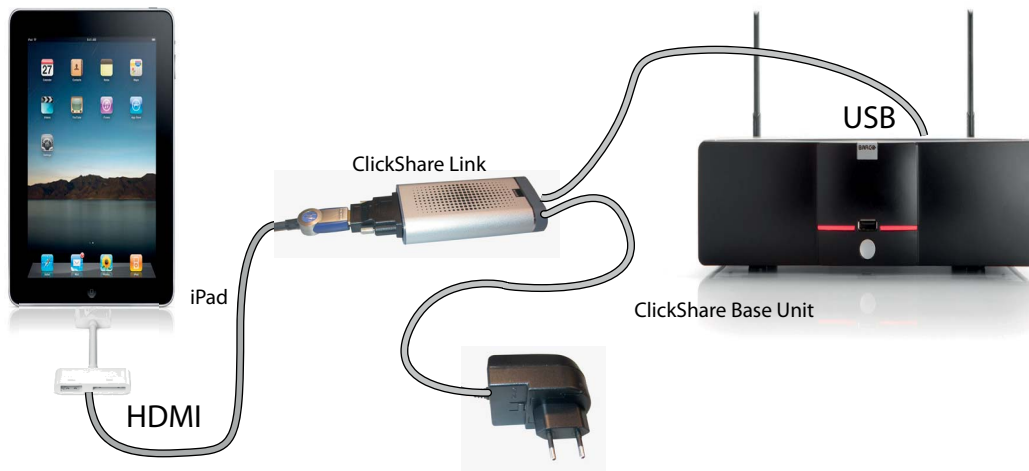


Image 4-13
iPad connection via cable

2. Connect an HDMI to DVI video cable to the DVI input of the ClickShare Link or place the convertor from DVI to HDMI on the ClickShare Link and connect an HDMI cable.
3. Connect the power adapter to the power input of the ClickShare Link.
4. Slide a power input adaptor piece on the power adapter of the ClickShare Link . Use the one which is applicable in your country.



Image 4-14
Type A



Image 4-15
Type C



Image 4-16
Type G



Image 4-17
Type I

5. Connect the power cable of ClickShare Link to wall outlet.
6. Connect the HDMI side of the cable into the iOS device HDMI converter. (iOS device convertor 30 pin or Lightning connection to HDMI)

The content of the screen will be displayed on the meeting room screen.

Connection via Apple TV, note

Minimum Apple TV version 3 is required, Apple TV must support 1080p.

Connection via Apple TV

1. Connect a USB cable between the ClickShare Link USB port and one of the backside USB ports of the Base Unit.

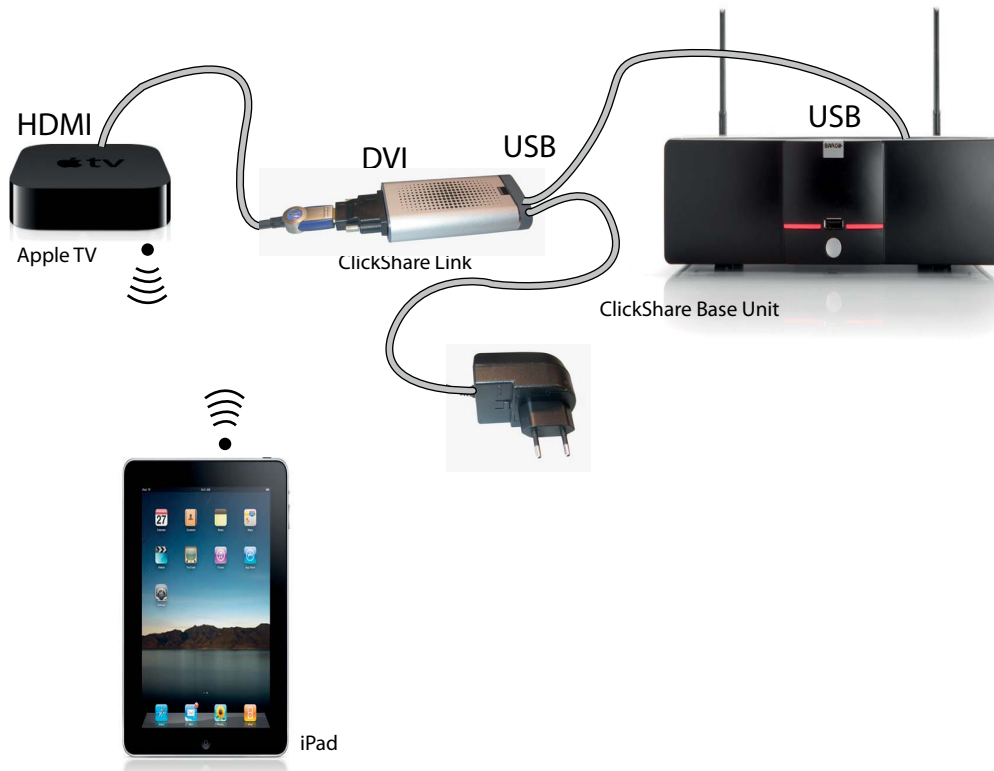


Image 4-18
Wireless iPad connection

2. Connect an HDMI to DVI video cable to the DVI input of the ClickShare Link or place the convertor from DVI to HDMI on the ClickShare Link and connect an HDMI cable.
3. Connect the HDMI side of the cable to the Apple TV.
For more information about Apple TV, consult Apple TV's user guide.
4. Connect Apple TV and iOS device to a WiFi network (it can be the WiFi network of the Base unit or another WiFi network)
Or,
connect Apple TV and the iOS device to a router, connected to a LAN network.
5. Connect the power adapter to the power input of the ClickShare Link.
6. Slide a power input adaptor piece (US, CN, EU or UK) on the power adapter of the ClickShare Link . Use the one which is applicable in your country.



Image 4-19
Type A



Image 4-20
Type C



Image 4-21
Type G



Image 4-22
Type I

7. Connect the power cable of ClickShare Link to wall outlet.
8. For Apple TV, proceed as follow:

4. ClickShare installation

In this example, we will connect to the wireless network of the Base Unit. If you want to use a different network, please contact your IT administrator.

- Go into the Apple TV main menu and connect to the ClickShare Base Unit WiFi (IP address = 192.168.2.1, password : clickshare, SSID: ClickSharre-"serial number unit")

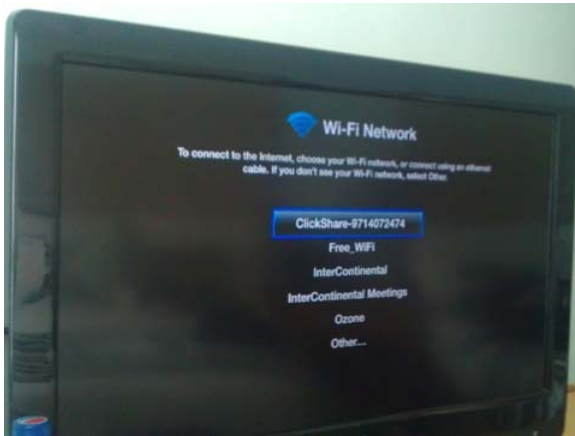


Image 4-23

- Continue without internet. Set IP via DHCP.



Image 4-24

- Go to the *Settings* page, select *General*, *Sleep after* and set to **Never**;

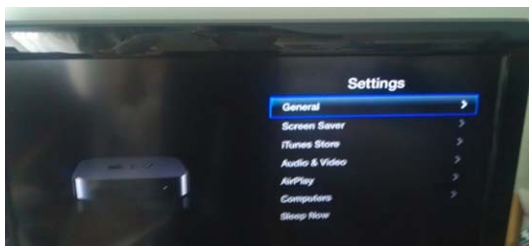


Image 4-25



Image 4-26

- Go to the *Settings* page, select *Screen Saver*, *Start After* and set to **Never**.



Image 4-27

- Return to the Home page of the Apple TV.



Image 4-28

- Calibrate the ClickShare Link to the Apple TV menu by going into the ClickShare Base Unit web interface. By calibrating the Link, we make sure that the Apple TV menu is not shown in the ClickShare composition. iOS content will only be shown when an iOS device is actually sharing via AirPlay. For more info about the calibration procedure, see "Calibrating a ClickShare Link", page 63.

Note: Minimum Apple TV version 3 is required, Apple TV must support 1080p.

- iOS device user should connect to the same network the Apple TV is connected with and he should start the sharing by enabling *AirPlay mirroring*. For more information on how to set up, consult the iPad's user guide.
Note: Always use *AirPlay mirroring*. Do not use *Streaming*.

When the Apple TV is connected to the internet

These are additional steps to execute when the Apple TV is connected to the public internet. It is not optional to have the Apple TV connected to the internet, for the ClickShare experience this is not required.

- Remove the lowest row of icons as follow:
 - Go to **Settings** → *Main menu*
 - Select the service you want to hide
 - Select *Hide* from the options.
 - Repeat until all services are hidden.

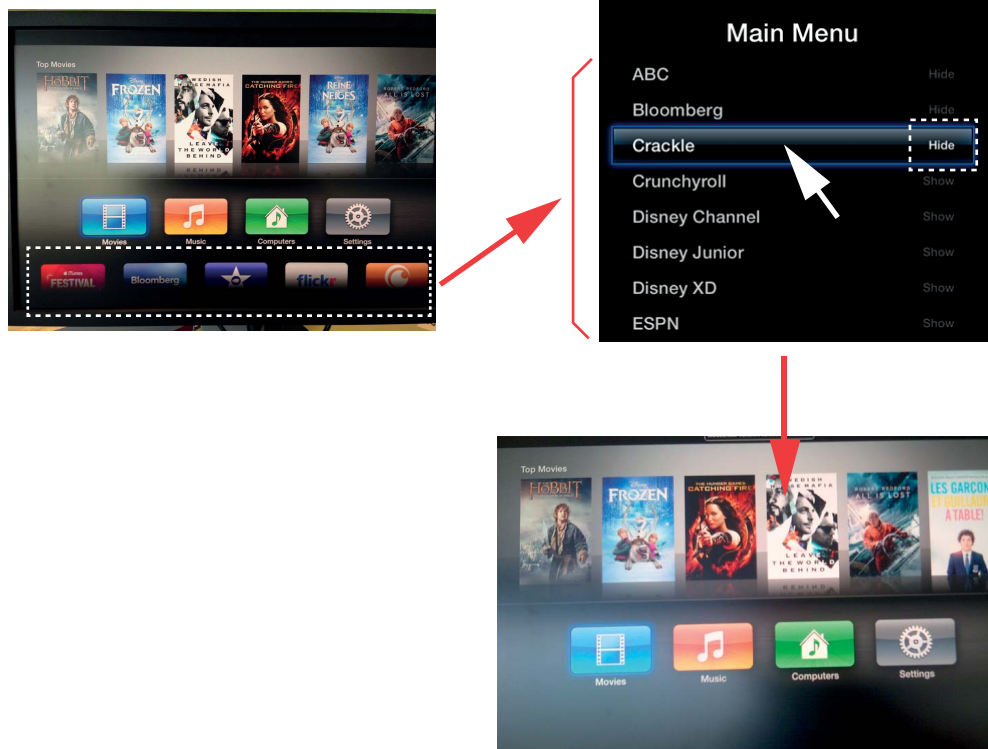


Image 4-29

- Calibrate the ClickShare Link to the Apple TV menu by going into the ClickShare Base Unit web interface. During the calibration procedure, click with the remote control to the right so that the 4 icons (Movies, Music, Computers, Settings) are selected one by one and the calibration procedure can be finished.

4. ClickShare installation

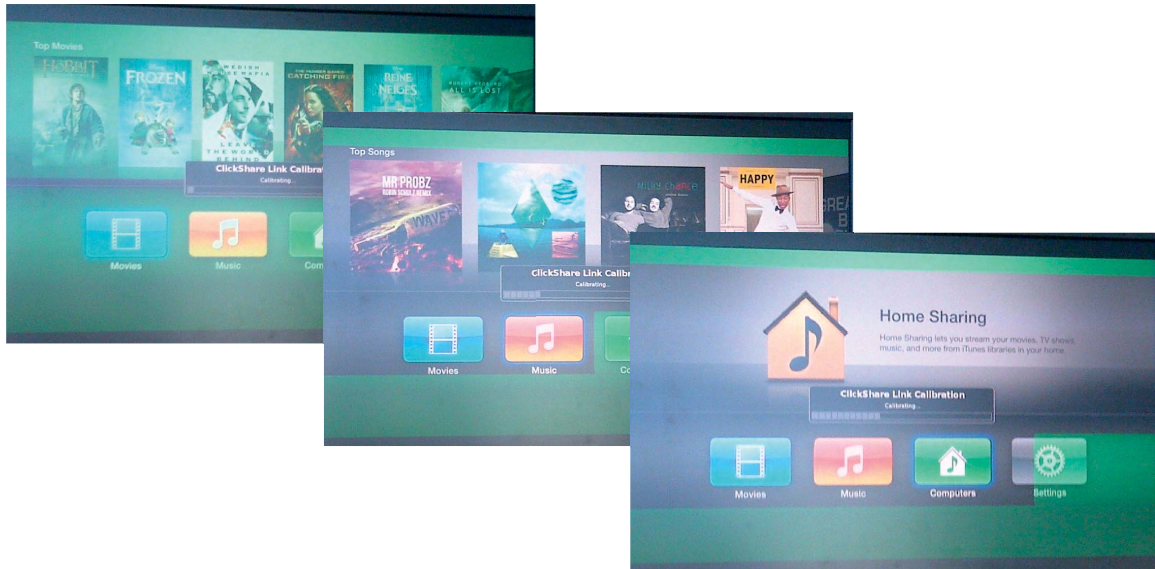


Image 4-30

5. PREPARING THE BUTTONS

Overview

- Pairing
- Pre-install of the Launcher service
- ClickShare launcher installer

5.1 Pairing

Pairing of the Buttons with the Base Unit

To be able to use a Button it should be assigned to the Base Unit you are using. This process is called pairing. By default, the four Buttons delivered with the ClickShare set are already paired to the specific Base Unit.

In case you buy additional Buttons or when a Button should be assigned to another Base Unit, the Button needs to be paired (again). When updating the Base Unit software to version 01.06 or higher, the Button software will update automatically over WiFi and does not need manual pairing again. The Button software update runs in the background and will not impact users while using the system. If desired, this feature can be disabled in the Web Interface. When downgrading or updating to an older version of the Base Unit software the Buttons need to be paired manually to update their software.



A Button can only be paired to one Base Unit at a time.

The Button will always make connection to the Base Unit it was last paired to.

To pair a Button to the Base Unit

1. Insert the Button in the USB port at the front of the Base Unit you are using.

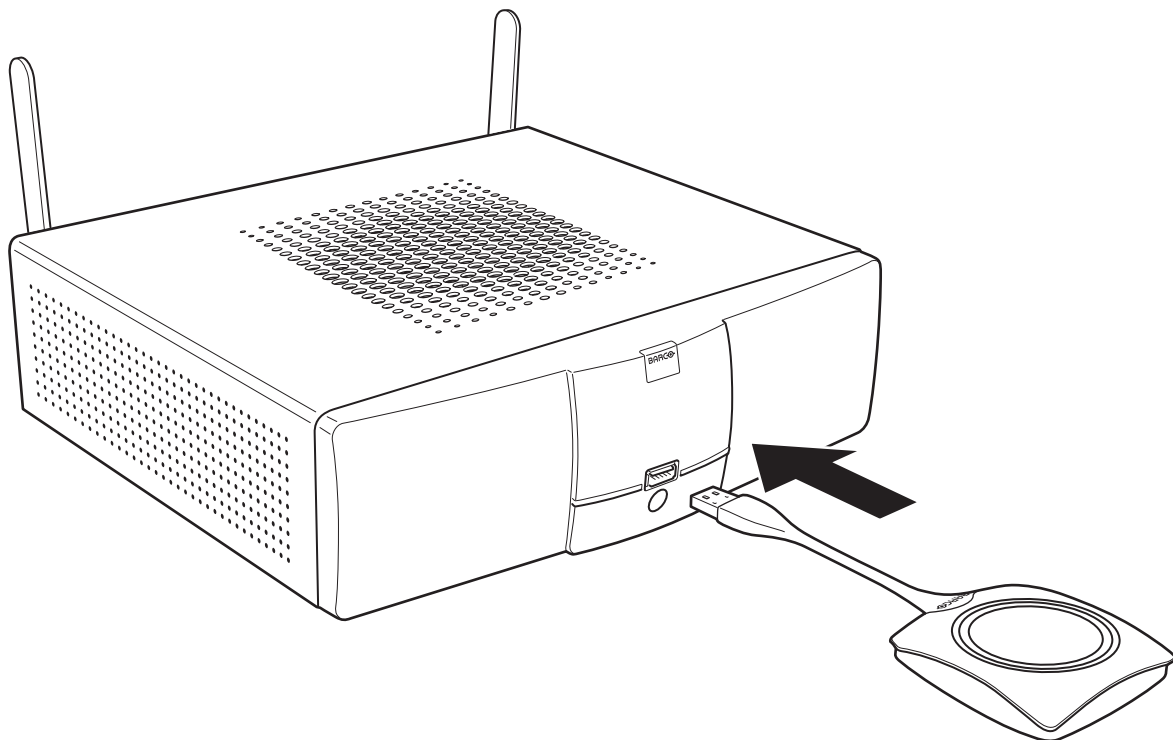


Image 5-1
Inserting Button into the Base Unit

5. Preparing the buttons

Both the LEDs of the Button and the LEDs of the Base Unit are blinking white. This means pairing is in progress.

The Base Unit automatically checks whether the software of the Button is up to date. If not, the Base Unit updates the Button software. This may take more time.

During the pairing and update process, a message is displayed on the screen: *"Pairing and updating Button. Busy pairing and updating"*

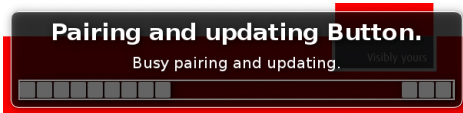


Image 5-2
Pairing message

The result of the pairing process can be as follows:

- When the LEDs become static white, the Button is paired to the Base Unit, but no software update was needed. You can unplug the Button from the Base Unit.
- When the LEDs become static red, the Button is paired to the Base Unit and the software update has finished. You can unplug the Button from the Base Unit.

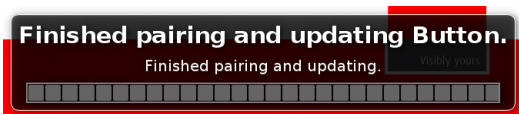


Image 5-3
Pairing finished

2. Unplug the Button from the Base Unit.

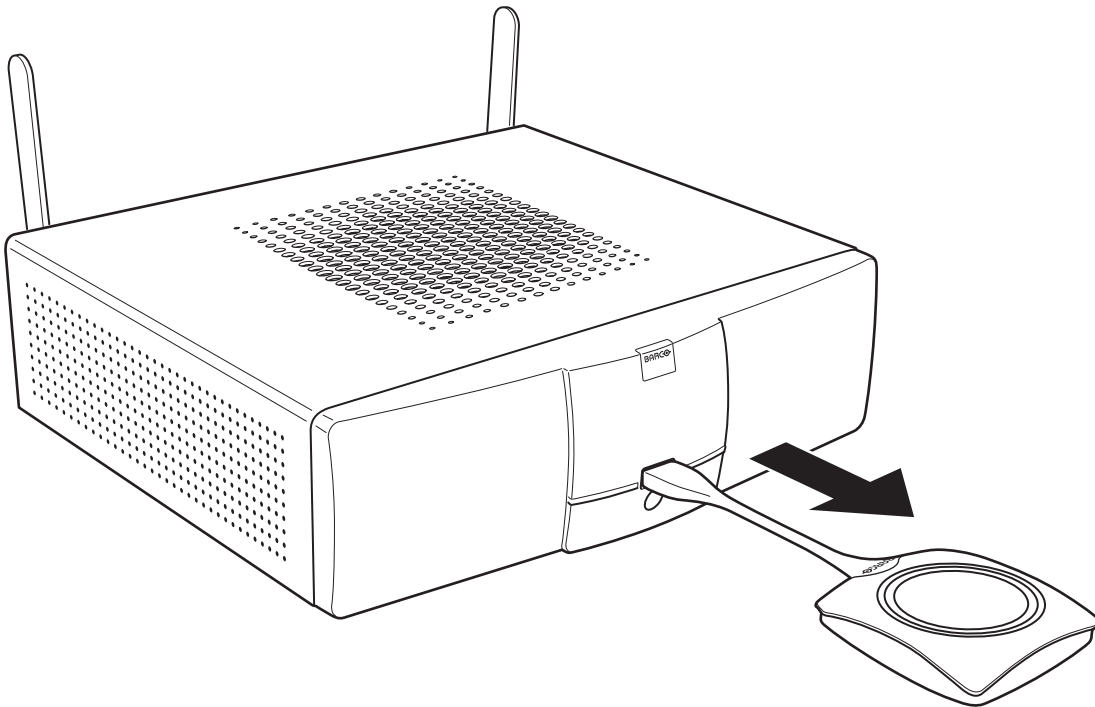


Image 5-4
Unplug Button from Base Unit

The Button is now ready for use.

5.2 Pre-install of the Launcher service

Launcher service pre-install

The ClickShare Launcher service can be pre-installed on your laptop or on company level. How this is done depends on your IT infrastructure.

When the Launcher service is pre-installed, a launcher application runs in the background. When you plug the Button in your laptop, the ClickShare application will be run from the Button automatically. There is no need to run the file from the Button.

The pre-installer can be downloaded from the Base Unit's web interface and the Barco website.

Where to download the launcher installer?

The launcher service (installer) can be downloaded from the Base Unit when entering the webui. Go to *Maintenance > Software* and download the launcher service.

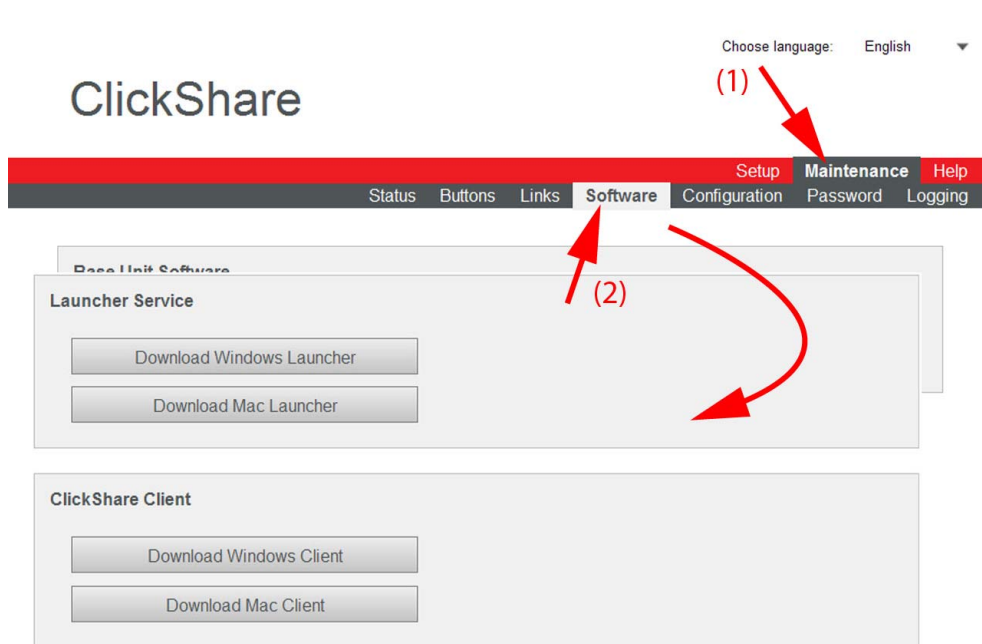


Image 5-5
Downloads software

5.3 ClickShare launcher installer

Interactive setup

In this setup, user runs the installer and installs the ClickShare launcher to the computer after accepting EULA and specifying the installation directory. Follow the instructions on the displayed screens.

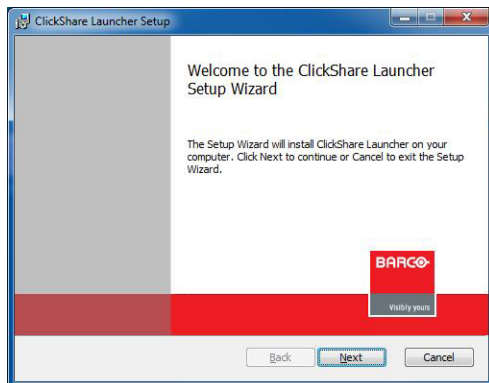


Image 5-6

After the setup finished, the ClickShare launcher will be started automatically.

Silent setup

In this setup, a user or an IT admin can install the ClickShare launcher using the Windows command prompt. Following is an example of a silent installation:

```
msiexec.exe /i ClickShare_Launcher_01_06_00_0144_Setup_Win.msi ACCEPT_EULA=YES INSTALLDIR=C:\LAUNCH_APP=YES /qn
```

Parameter	Description
ACCEPT_EULA	This parameter shows that the installer accepts the EULA text as is. This parameters must be set to YES in order to continue to the installation.
INSTALLDIR	This parameter specifies the installation directory for ClickShare launcher. If not specified, the default folder will be the Program Files folder.

5. Preparing the buttons

Parameter	Description
LAUNCH_APP	The ClickShare launcher application will be started right after the installation finishes if this parameter is set to YES. Otherwise, the launcher application will not be started.
/qn	This parameter indicates that the installation will be done in silent mode, meaning that there will be no visible windows during the installation.

Following command line can be used to uninstall the ClickShare launcher in silent mode :

```
msiexec.exe /x ClickShare_Launcher_01_06_00_0144_Setup_Win.msi /qn
```

6. WEB INTERFACE

Overview

- Accessing the ClickShare Web Interface
- Language setup Web interface
- About ClickShare tabs
- Basic settings
- Wallpaper (background) selection
- Personalized wallpapers
- Display settings
- Display output settings
- On-screen text format
- Audio settings
- Advanced settings: Hostname
- Advanced settings: LAN network settings
- Advanced settings: WiFi settings
- Advanced settings: access SSH
- Advanced settings: Access web interface
- Advanced settings: API configuration Settings
- Integration, Polycom
- Maintenance, status check ClickShare
- Maintenance, Buttons information
- Maintenance, update Buttons over WiFi
- Configured Links
- Calibrating a ClickShare Link
- Base Unit software update
- Downloads from Base Unit (launcher service)
- Manage System Configuration
- Load Default Settings
- Administrator password
- Integrator password
- Log settings
- ClickShare Help, Barco contact data
- Barco ClickShare EULA

6.1 Accessing the ClickShare Web Interface

Getting access to the Web Interface

There are three ways to access the ClickShare Web Interface:

- Via the LAN
- Direct Ethernet connection between PC and Base Unit.
- Via the Base Unit's wireless network

To access the Web Interface via the LAN

1. Open a browser.
Note: Supported browsers are Internet Explorer 8 or higher, Firefox, Google Chrome and Safari.
2. Browse to the IP address you can find in the top left corner of the ClickShare welcome screen.
Note: The Wired IP address is only visible when the Base Unit is connected to the LAN.
A login screen appears.
3. Enter the user name 'admin' and the password and click **OK**.

By default, the password is set to 'admin'.

The web interface opens.



Image 6-1
Web interface, startup screen

The language of the web interface can be changed. It contains also three tabs: **Setup**, **Maintenance** and **Help**.



If you cannot find the IP address (e.g. there is no screen available) you should connect to the Base Unit directly with your laptop via an Ethernet crossover cable and access the web interface using the fixed IP address 192.168.1.23. Make sure your own LAN adapter is set in the 192.168.1. range.

To access the Web Interface via a direct connection.

1. Connect the Base Unit to your laptop using an Ethernet cable. On some older hardware a crossover cable might be needed.
2. On your laptop, open a browser.
Note: *Supported browsers are Internet Explorer, Firefox and Safari.*
3. Browse to <http://192.168.1.23>.
A login screen appears.
4. Enter the user name 'admin' and the password and click **OK**.
By default the password is set to 'admin'.
The web interface opens.

To access the Web Interface via the Base Unit wireless network

1. On your laptop, connect to the Base Unit wireless network.
The default SSID and password to connect to the Base Unit are respectively 'ClickShare-<serial base number>' and 'clickshare'.
2. On your laptop, open a browser.
Note: *Supported browsers are Internet Explorer, Firefox and Safari.*
3. Browse to <http://192.168.2.1>.
A login screen appears.
4. Enter the user name 'admin' and the password and click **OK**.
By default the password is set to 'admin'.
The web interface opens.



Older laptops do not support the 5 GHz Frequency Band. If your Base Unit is set to that frequency range, those devices will not be able to connect to the Base Unit via the wireless network.

6.2 Language setup Web interface

About languages

The ClickShare web interface can be displayed in different languages.

The following languages are possible:

- Arabic
- Simplified Chinese
- Traditional Chinese
- Danish
- Dutch
- English
- Finnish
- French
- German
- Italian
- Japanese
- Korean
- Norwegian
- Portuguese
- Russian
- Spanish
- Swedish

How to change

1. Click on the drop down box next to *Choose language* and select the desired language.

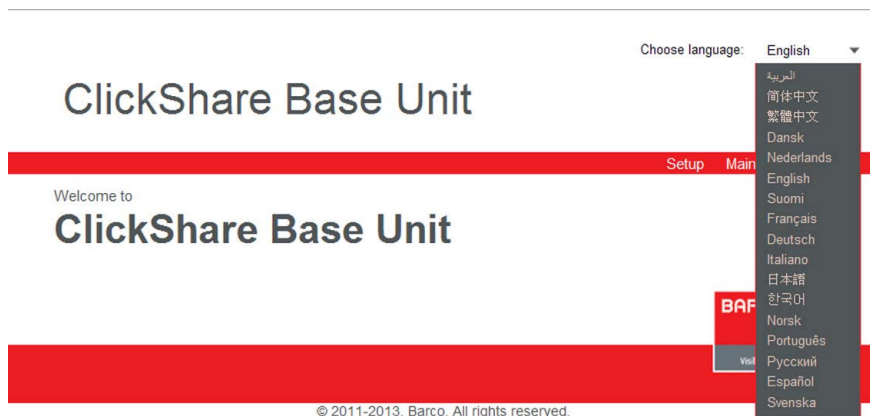


Image 6-2
Language selection

The language of the web interface changes to the selected language.

The language of the web interface can be changed on nearly any page. The ClickShare Web Interface language is independent of the language of the on screen text language which can be set on the Display page.

6.3 About ClickShare tabs

Overview

ClickShare has a main tab bar (red bar with white text) containing 3 tabs, Setup, Maintenance and Help. Each main tab contains sub tabs. The sub tabs are only displayed when a main tab is selected. These sub tabs are displayed in a gray bar. The functionality of these sub tabs is explained in the next topics.

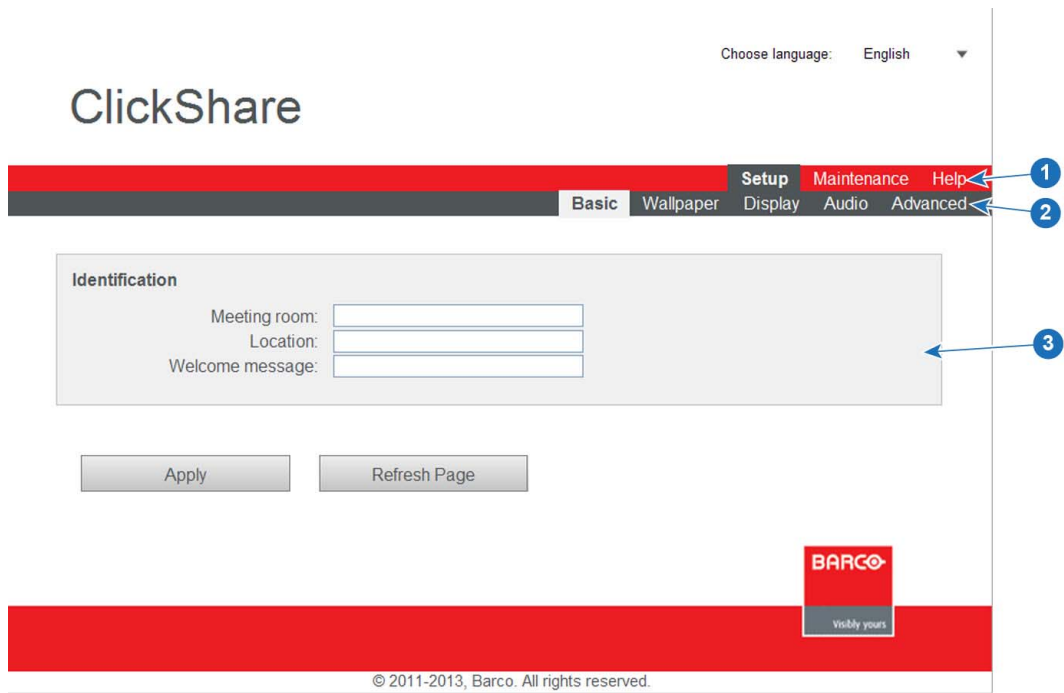


Image 6-3
Tab pages

- | | |
|---|-------------------------------|
| 1 | Main tab bar |
| 2 | Sub tab bar |
| 3 | Information and fill out pane |

6.4 Basic settings

About Basic settings

The basic settings contain the following information:

- Meeting room name
- Meeting room location
- Welcome message

To change the basic settings

1. Log in to the ClickShare web interface.
2. Click the **Setup** tab.

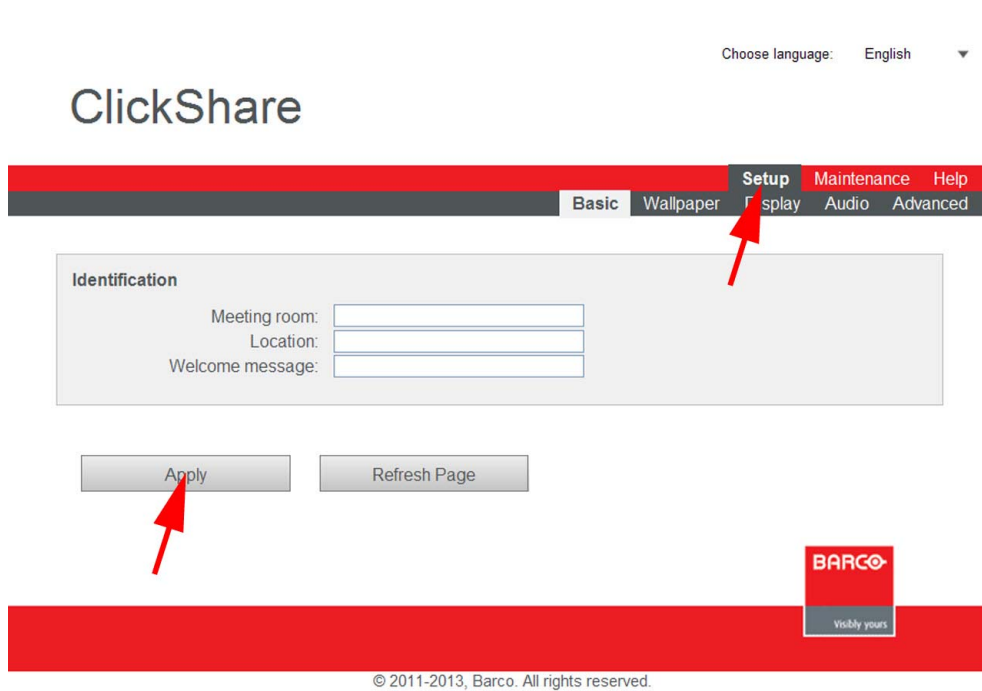


Image 6-4
Setup, basic settings

The **Basic** tab is displayed by default.

3. In the **Identification** section click in an input field and enter
 - the name of the meeting room
 - the location of the meeting room
 - a welcome message which will be displayed below the meeting room name and location.

Note: *The name of the meeting room is used by the Client software to identify the Base Unit it is connected to.*

4. Click **Apply** to confirm your changes.

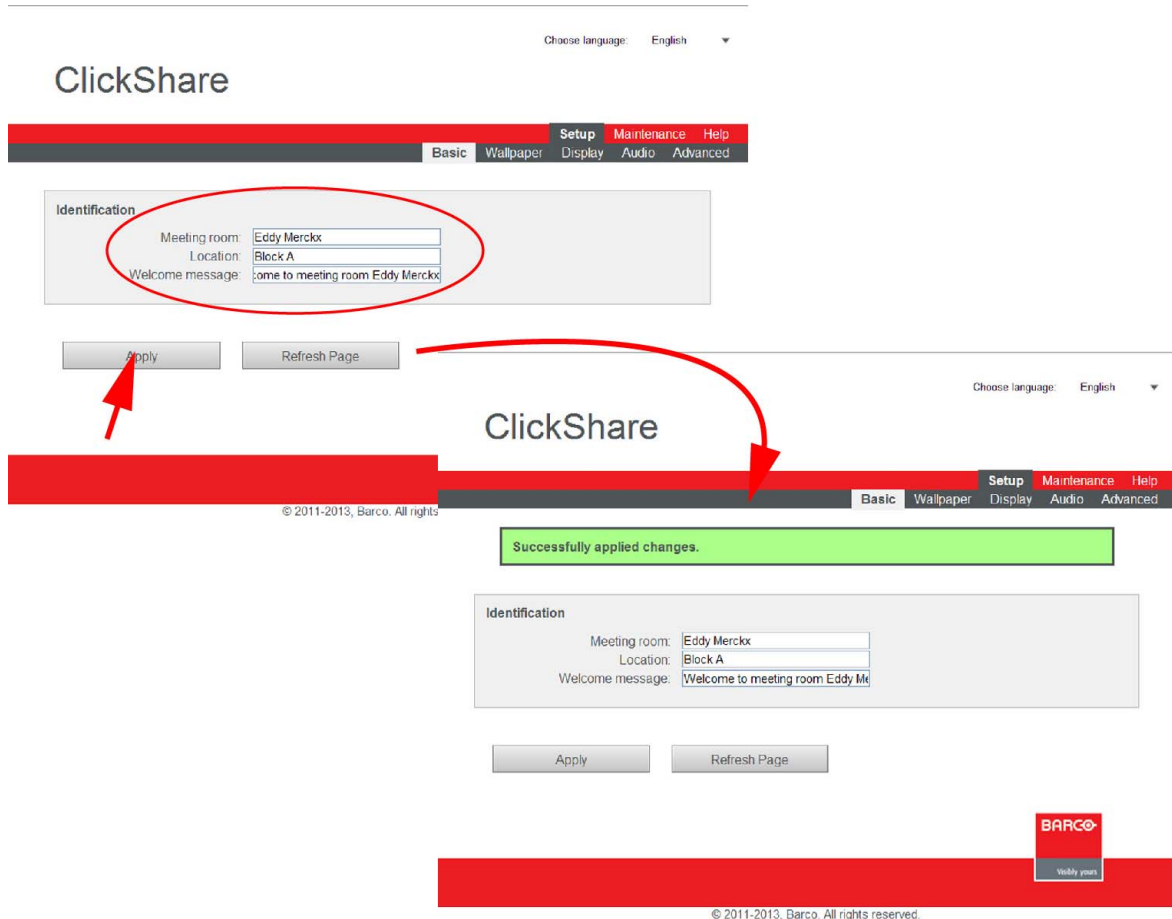


Image 6-5

A message is displayed to indicate that the changes are successful.

The new name, location and welcome message are displayed in the left top corner of the screen.

6.5 Wallpaper (background) selection

About wallpaper

When ClickShare starts up, a background (wallpaper) is displayed. By default a general ClickShare and a quick start wallpaper are available. The possibility exists to upload personal backgrounds (wallpapers).

Wallpaper selection

1. Log in to the ClickShare web interface.
2. Click the **Setup** tab (1) and then the **Wallpaper** tab (2).

The content of the **Wallpaper** tab is displayed.

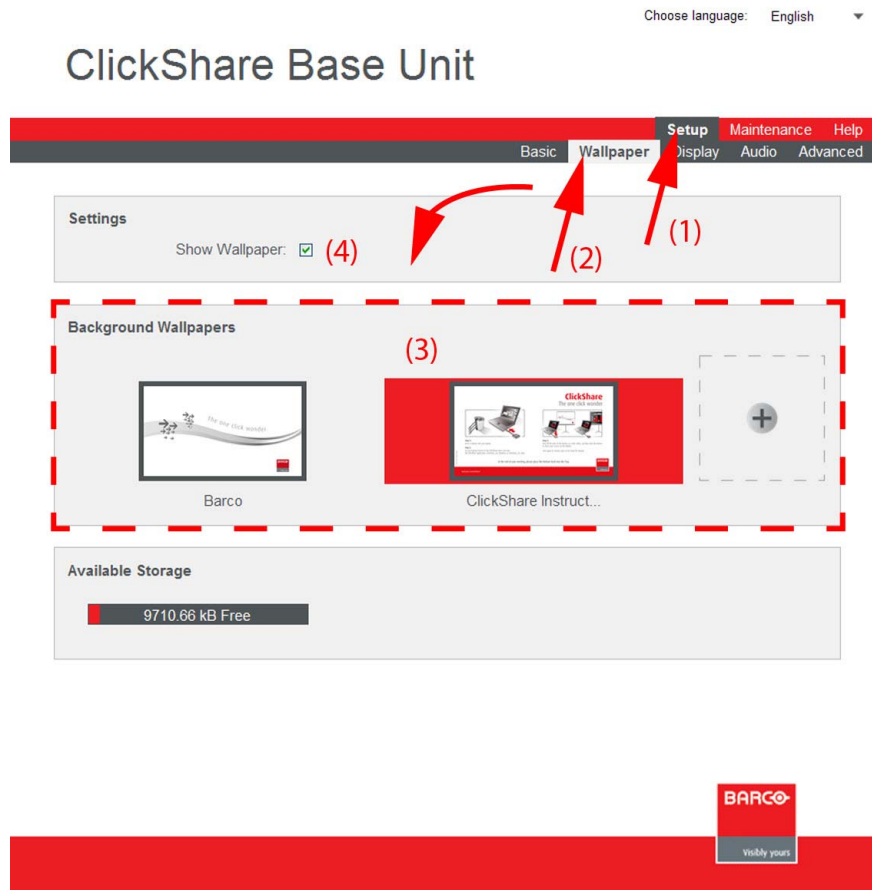


Image 6-6
Wallpaper selection

3. Select one of the available wallpapers (3).

Note: By default a general Barco ClickShare wallpaper and a ClickShare Quick Start Guide wallpapers are available.

They are automatically resized to fit the aspect ratio of the screen.

The selected wallpaper is indicated with a red square around the preview. The preview pane shows the selected wallpaper before it is applied.

The following message appears on top of the wallpaper selection window.

Successfully applied changes.

Image 6-7

The selected wallpaper is now in use.

4. The wallpaper can be switched on or off by checking or unchecking the check box next to *Show wallpaper* (4).
When the wallpaper is switched off, the display outputs are shut off.



You can also add a personal wallpaper, e.g. your company logo. For more information on adding a new wallpaper to the list, see [Managing background wallpapers](#).



When 2 screens are connected, an extra item *Show Display Identifiers* appears in the Display pane. When checked, a sequence number is displayed on each display.

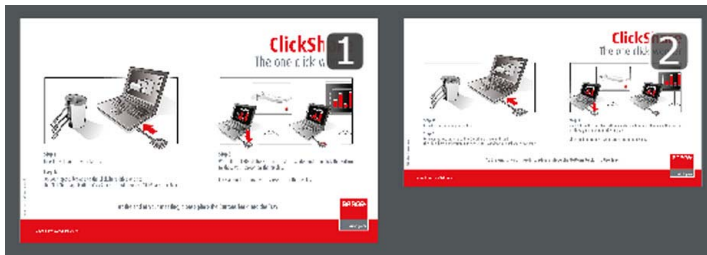


Image 6-8
Display identifiers

6.6 Personalized wallpapers

About a personalized wallpaper

Via the web interface it is possible to upload personalized backgrounds or wallpapers. The free space to upload wallpapers is indicated in the *Available storage* pane.

The upload file should be a JPEG, PNG, BMP or TIFF format with a maximum size of 2.5MB.

Maximum one image can be uploaded. If you want to upload another one, first remove the previous one.

How to upload

1. Log in to the ClickShare web interface.
2. Click the **Setup** tab (1) and then the **Wallpaper** tab (2).

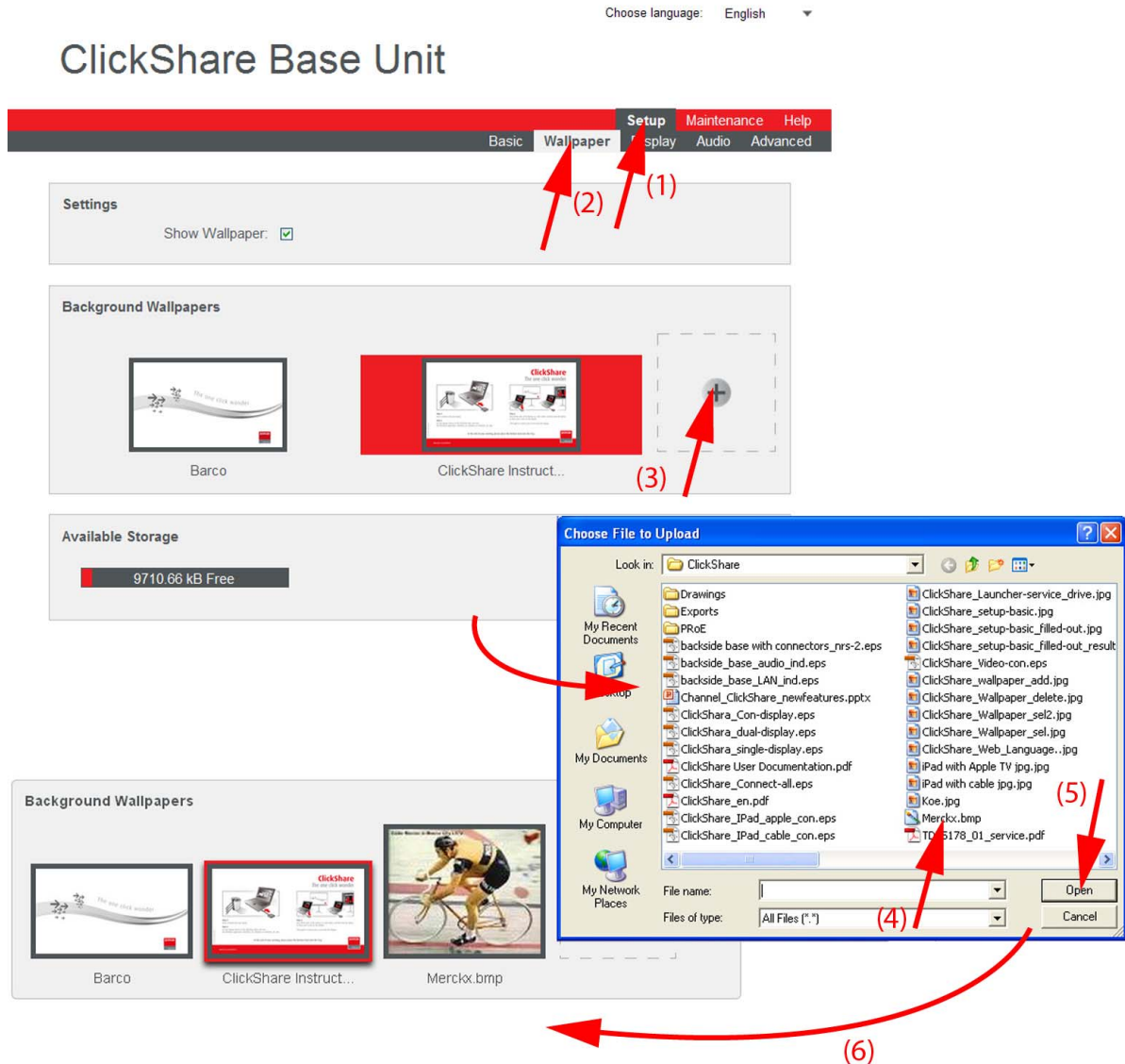


Image 6-9
Add wallpaper

The **Wallpaper** tab page is displayed.

3. In the *Background wallpapers* pane, click on the “+” sign (3).

A browser window opens.

4. Select the desired file (4) and click **Open** (5).

The content of the file is checked and when valid (format and size), the file is uploaded (6).

The message *Successfully applied changes* is displayed on top of the page.

5. Now follow the wall paper selection procedure to activate the personalized wallpaper.

Remove personalized wallpaper

1. While the wallpaper tab is open, hover the mouse over the selection.

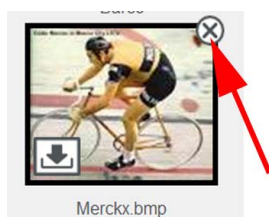


Image 6-10

The image shows an extra delete button.

2. Click on the delete button to delete the wallpaper.

The message *Successfully applied changes* is displayed on top of the page.

6.7 Display settings

About display settings

The following settings can be configured for the display(s):

- Standby timeout. Time between the last action and moment the system goes into standby.
- Show source name on screen when starting the share.
- Meeting room and network information on the startup screen can be displayed or can be hidden.
- Hot Plug Display detection can be activated so that a display can be connected or unconnected without switching off.
- Display identifiers can be displayed on top of the displayed images (only when 2 displays are connected)
- Resolution of the display can be set.

To change

1. Log in to the ClickShare web interface.
2. Click the **Setup** tab (1) and then the **Display** tab (2).

The content of the **Display** tab is shown. The first pane shows the *Display Settings*.

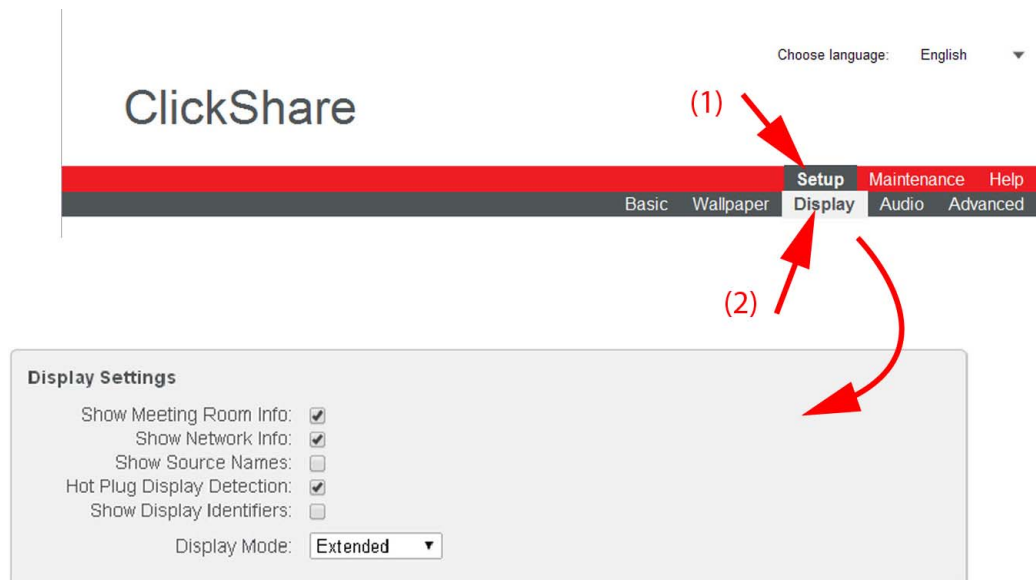


Image 6-11
Display settings

3. To show the meeting room and network info on the meeting room display, check the check box behind the corresponding item.
4. To show the origin of the shared source while starting the sharing, check the check box behind *Show Source Names*.
5. To activate the Hot Plug Display Detection, check the check box behind that item.
6. To show the display identifiers, check the check box behind that item.
7. **Resolution** setup. Click on the drop-down list and select the desired resolution or select **Custom** and enter a resolution manually.
Note: *By default, the correct resolution is automatically set through the EDID (Extended Display Identification Data).*
Note: *The maximum output resolution supported by ClickShare is 1920 x 1200. This includes Full HD 1920 x 1080.*
8. To change the display mode, click on the drop down box and select the desired mode.
 - Extended : both displays are combined as one big display.
 - Clone : both displays show the same content
9. Click **Apply** to confirm your changes.

Note about EDID

The timings of the ClickShare Base Unit display output are based on the information contained in the EDID of the meeting room display or projector. Such an EDID contains at least the following information:

- Information on supported "Established Timings" (most legacy timings, e.g. 720x400@70Hz, 88Hz; 800x600@56Hz, 60Hz, 72Hz, 75Hz; ... ; ...)
- Supported Standard Timing Identifications (e.g. 1280x1024@60Hz, 1600x1200@60Hz,...)
- Detailed Timing Information. The first detailed timing description is the "Preferred Timing" of the display and usually the most important information in the EDID. It describes in full detail the preferred timing: pixel clock, active pixels, active lines, blanking, sync width, sync offset (horizontal and vertical),...

About auto resolution

When the ClickShare Base Unit display output is put in auto mode, the display output timings will be based on the Preferred Timing as described in the meeting room display or projector EDID.

About manual resolution setup

When resolution is selected manually, the timings of this resolution are taken from the information described in the meeting room display or projector EDID. If a custom resolution is entered that is not described in the EDID, the timing is generated by the Base Unit following the VESA CVT standard with reduced blanking. The calculation is based on the official VESA calculation.

About Display mode

Extended mode

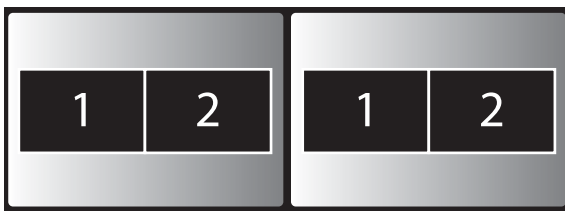


2 users

Image 6-12

The content of multiple users will be divided over both screen.

Clone mode



2 users

Image 6-13

The content of multiple users will be shown on one screen. The content of that first screen will be duplicated on the second screen.

6.8 Display output settings

Screen Saver

A screen saver can be activated after a certain time. The delay time to activate the screen saver can be set via the slider bar.

When the slider is set completely to the right, the screen saver will never be activated. Slide the slider to the left until the desired delay time is reached. This delay time can never be larger than the Display Timeout. A warning will be displayed when the delay time is larger than the display timeout after clicking on **Apply**.

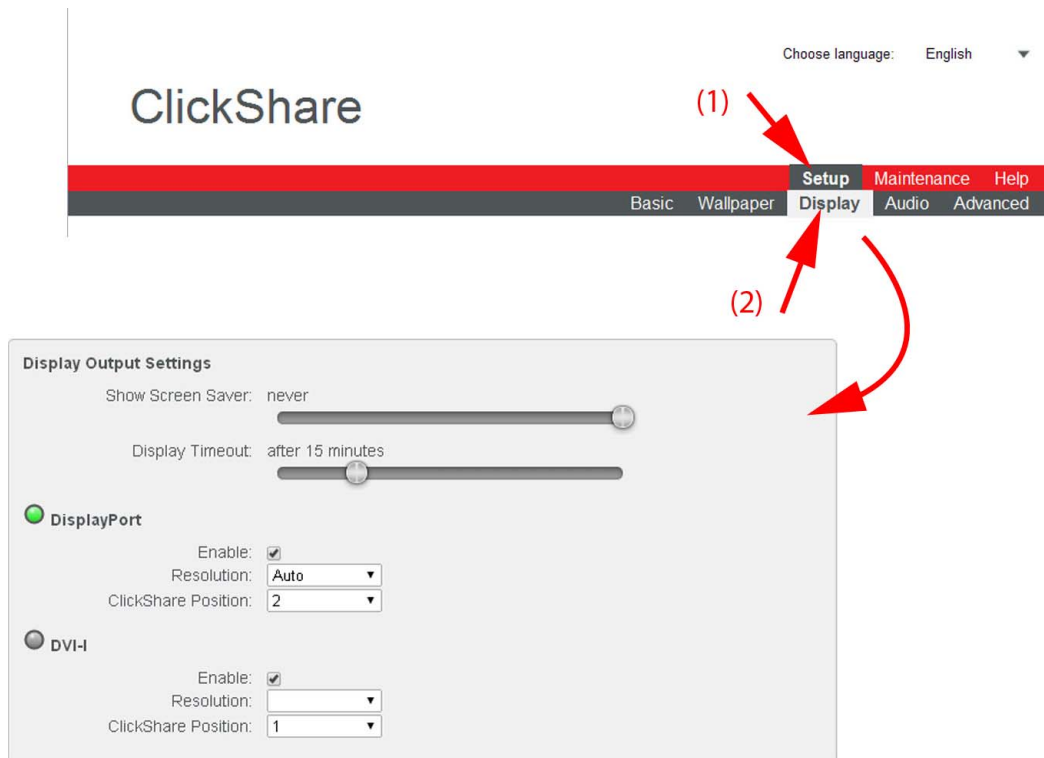


Image 6-14
Output ports

Display Timeout

If there is no input signal detected during the display timeout period, both outputs are set to blank.

The display timeout can be set by moving the slider to the left or right until the desired delay is reached.

Output ports (DisplayPort - DVI-I)

When a port is connected with a display, a green LED before the port name lights up.

Output port enable-disabled

An output can be enabled, what means that a video signal can be sent to the display. Or, a port can be disabled what means that no video signal is sent to the display.

To enable an output port, check the checkbox next to *Enable*.

Resolution

The resolution of the output video signal can be set to the desired value. Select a value which is supported by the connected display.

To select a resolution, click on the drop down box next to *Resolution* and select the desired value.

When *Auto* is selected, the video output signal resolution will be the one that fits best with the connected display and will be based on the Preferred Timing as described in the meeting room display or projector EDID.

When *Custom* is selected, two extra input fields for horizontal and vertical resolution are displayed. The current displayed values are taken from the information described in the meeting room display or projector EDID. Edit the current values with the desired horizontal and vertical resolution. If a custom resolution is entered that is not described in the EDID, the timing is generated by the Base Unit following the VESA CVT standard with reduced blanking. The calculation is based on the official VESA calculation.

ClickShare position

As the base unit supports dual display, an output can be associated with the primary display or with the secondary display. Automatically the second input is associated with the free display.

To change the position, click on the drop down box next to *ClickShare Position* and select the position. The corresponding display is associated with the output port.

6.9 On-screen text format

About on-screen text

The language of the on-screen messages can be changed. Also the color, size and style of the messages can be updated. The background color and the transparency can be adapted so that they match with the text layout.

How to start

1. Log in to the ClickShare web interface.
2. Click the **Setup** tab (1) and then the **Display** tab (2).

The content of the **Display** tab is shown. The last pane shows the *On-screen Text Format*

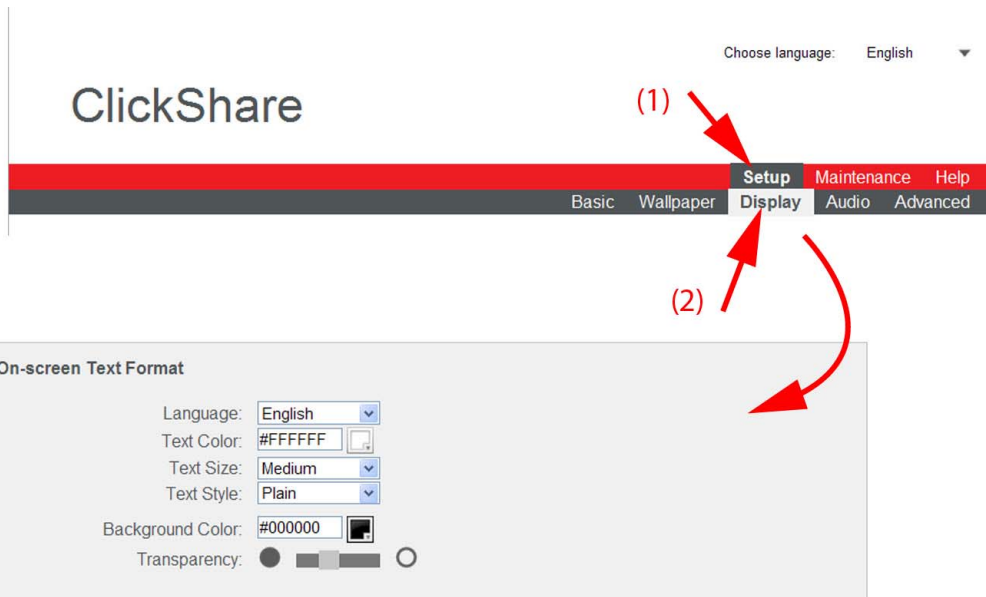


Image 6-15
On-screen text

3. When changes are made, click **Apply** to activate the new settings.
To cancel the changes, click **Refresh Page**.

Language selection

1. Select the language of the on-screen text and ClickShare Instructions wallpaper. Click on the drop down box next to *Language* and select the desired language.

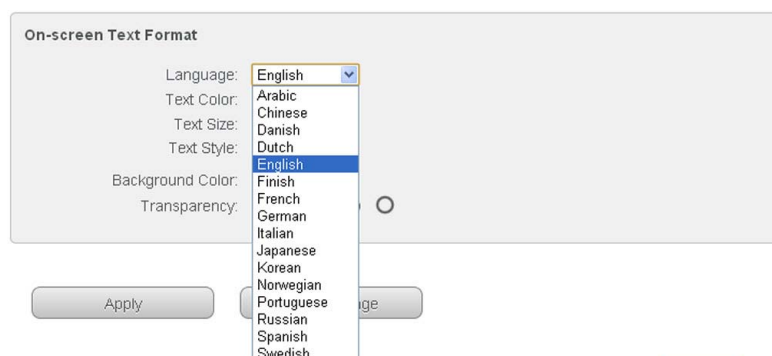


Image 6-16
Language selection

The following languages are possible:

- Arabic
- Simplified Chinese
- Traditional Chinese
- Danish
- Dutch
- English
- Finnish
- French
- German
- Italian
- Japanese
- Korean
- Norwegian
- Portuguese
- Russian
- Spanish
- Swedish

Text color

1. Click in the input field next to *Text color* or click on the color icon (1).

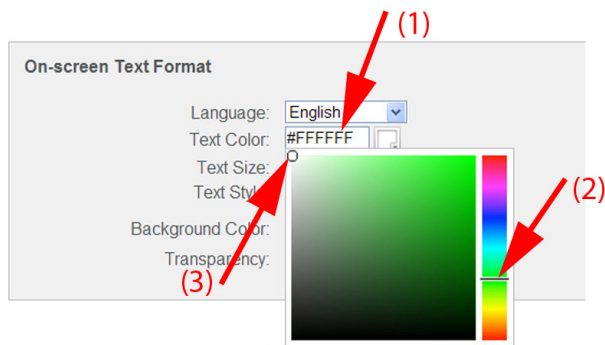


Image 6-17
Text color selection

A color selection window opens.

2. Drag the marker in the color bar up or down until the desired color is obtained (2).
3. To change the tint of the selected color, drag the circler marker in the square until the desired tint is obtained (3).

Text size and style

1. To change the text size, click on the drop down menu and select the desired size.
The following sizes are possible:
 - Small
 - Medium
 - Large
2. To change the text style, click on the drop down menu and select the desired style.

Background color

1. Click in the input field next to *Background Color* or click on the color icon.

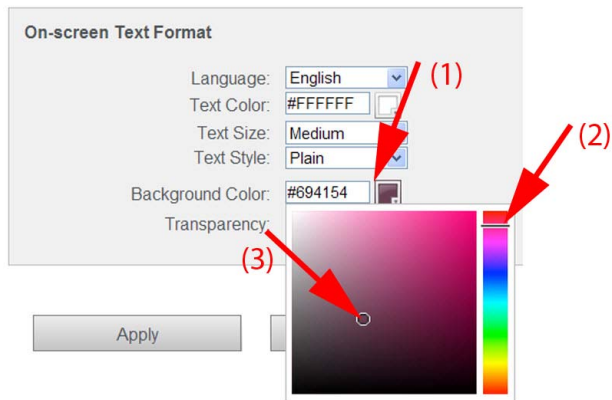


Image 6-18
Background color

2. Drag the marker in the color bar up or down until the desired color is obtained (2).
3. To change the tint of the selected color, drag the circular marker in the square until the desired tint is obtained (3).

Transparency

1. Move the slider to the left or the right to obtain the desired transparency.

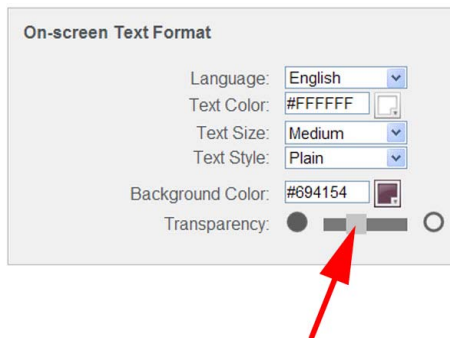


Image 6-19
Transparency

- Slider to the right: more transparency
- Slider to the left: less transparency

6.10 Audio settings

About the audio settings

The audio functionality can be disabled or enabled. When the enable and/or disable setting is changed, the Buttons must be re-paired before the setting becomes active.

Audio can be output via mini jack (analog) or via the DisplayPort output (digital).

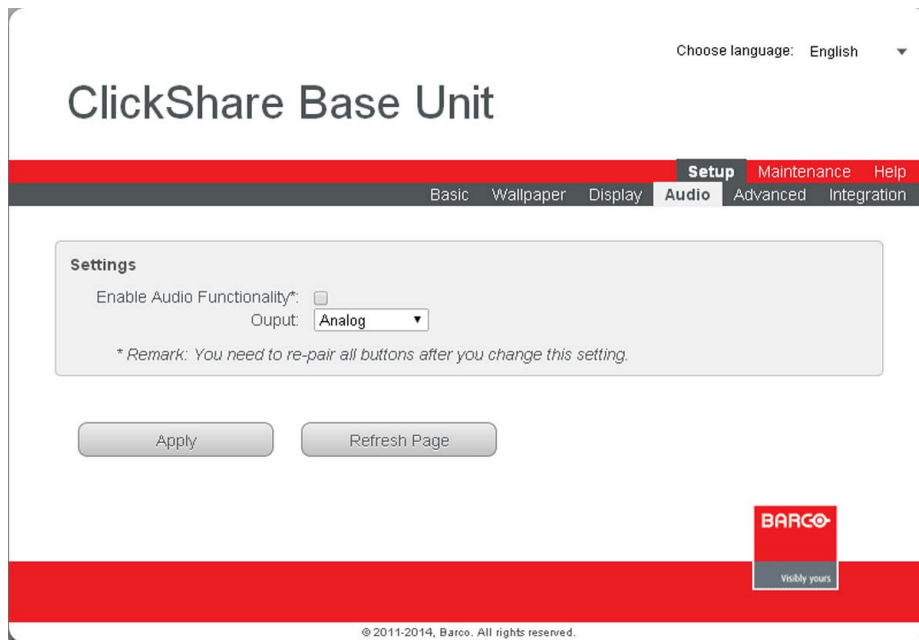


Image 6-20
Audio settings

How to change

1. Log in to the ClickShare web interface.
2. Click the **Setup** tab and then the **Audio** tab.
3. To enable audio on the Base Unit, check the check box next to *Enable Audio Functionality*.
Note: *Changing the audio setting, requires a re-pairing of the Buttons.*
4. To select the audio output method, click on the drop down box and select the desired output method.
 - analog : output via mini jack
 - digital : output via DisplayPortDefault setting : analog

6.11 Advanced settings: Hostname



Hostname

Hostnames are human-readable nicknames that correspond to the address of a device connected to a network.

How to change

1. Log in to the ClickShare web interface.
2. Click the **Setup** tab (1) and click **Advanced** (2).



Image 6-21
Hostname

3. Click in the input field next to *Hostname* (3)
4. Select the current name and enter a new name.
Note: The default hostname is "ClickShare-<serial number>".

6.12 Advanced settings: LAN network settings

About LAN network settings

A network connection can be configured through DHCP or by manually entering a fixed IP address.



DHCP

Dynamic host configuration protocol. DHCP is a communications protocol that lets network administrators manage centrally and automate the assignment of IP addresses in an organization's network. Using the Internet Protocol, each machine that can connect to the Internet needs a unique IP address. When an organization sets up its computer users with a connection to the Internet, an IP address must be assigned to each machine. Without DHCP, the IP address must be entered manually at each computer and, if computers move to another location in another part of the network, a new IP address must be entered. DHCP lets a network administrator supervise and distribute IP addresses from a central point and automatically sends a new IP address when a computer is plugged into a different place in the network.

DHCP setup of the LAN network

1. Log in to the ClickShare web interface.
2. Click the **Setup** tab (1) and click **Advanced** (2).

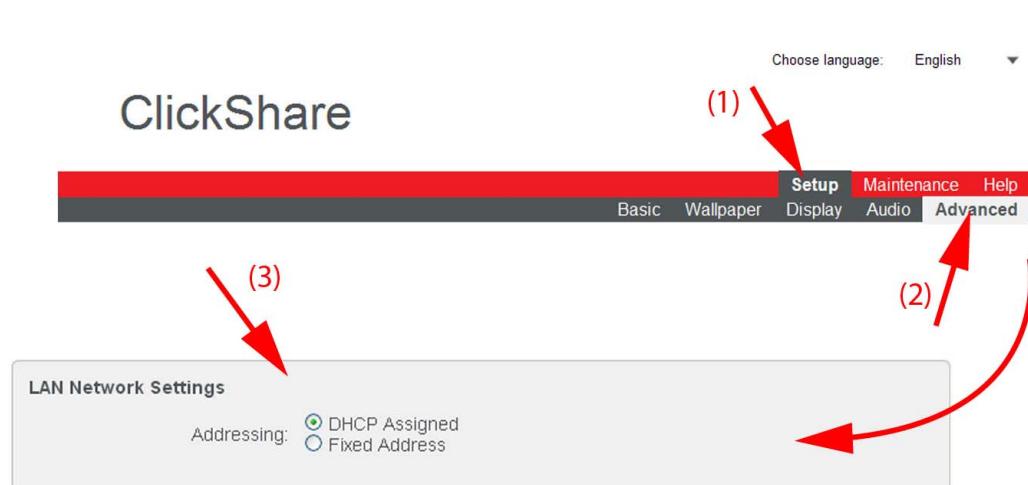


Image 6-22
DHCP setup

The **Advanced** tab is displayed.

3. Check the radio button next to *DHCP Assigned* (3).

4. Click **Apply** to confirm the changes.

Fixed IP address setup

1. Log in to the ClickShare web interface.
2. Click the **Setup** tab (1) and click **Advanced** (2).

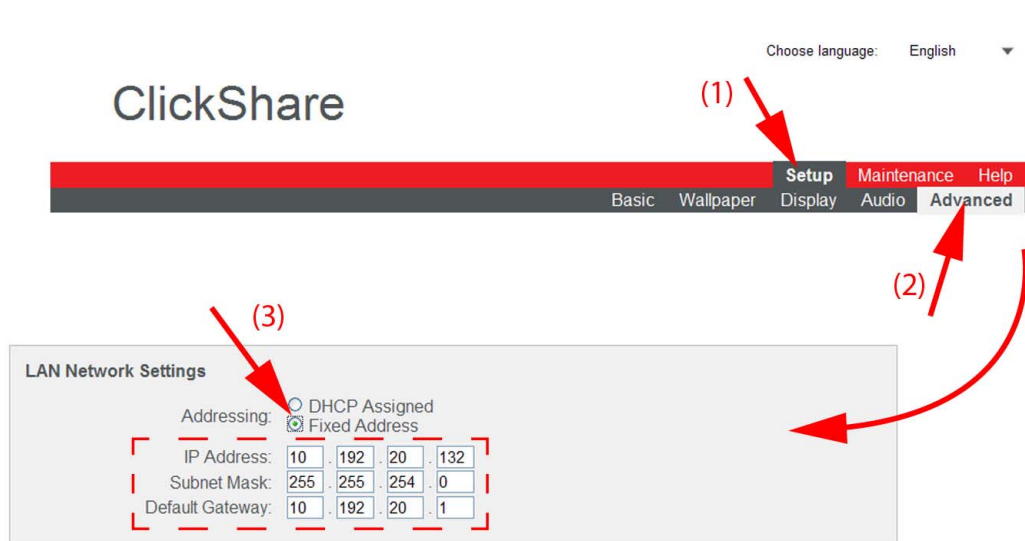


Image 6-23
Fixed IP address

The **Advanced** tab is displayed.

3. Check the radio button next to *Fixed address* (3).

The IP address, subnet and gateway input opens.

4. Click in the input field of the *IP address* and fill out the 4 fields.

Note: An address contains 4 octets with a maximum value of 255.

This must NOT be 0.0.0.0 for static IP-Address assignment

5. Click in the *Subnet mask* input fields and fill out the 4 fields as appropriate for the local subnet.

6. Click in the *Default Gateway* input fields and fill out the 4 fields. Set the Default-Gateway to the IP-Address of the router (MUST be on the local subnet!).

Note: This must NOT be 0.0.0.0.

If there is no router on the local subnet then just set this field to any IP-Address on the subnet.

7. Click **Apply** to confirm the changes.



Do not use IP address 192.168.2.x for a Subnet mask 255.255.255.0 and IP address 192.168.x.x for a Subnet mask 255.255.0.0

6.13 Advanced settings: WiFi settings



WARNING: It is not allowed to operate the Base Unit outside its intended geographical region.

About WiFi

A connection with the Base Unit can be made via a wireless connection. A fixed wireless IP address is used to establish the connection.

How to set up

1. Log in to the ClickShare web interface.
2. Click the **Setup** tab (1) and click **Advanced** (2).

Choose language: English

ClickShare

Setup Maintenance Help

Basic Wallpaper Display Audio **Advanced**

WiFi Settings:

IP Address: 192 . 168 . 2 . 1

Subnet Mask: 255 . 255 . 255 . 0

SSID: ClickShare-1143000003

Broadcast SSID:

Old Password:

Enter New Password:

Confirm New Password:

Frequency Band: 2.4 GHz

WiFi Channel: 6

Image 6-24
WiFi settings

3. Enter a public name (SSID) for the wireless network.
The default SSID is *ClickShare-<serial base number>*.
4. If you want to broadcast this SSID, check the checkbox behind *Broadcast SSID*.
5. Enter a new password and confirm that password.
6. Select the wireless connection frequency band: 2.4 GHz or 5 GHz by clicking on the drop down box and selecting the correct setting
Note: *Make sure your PC's wireless interface supports the 5 GHz band before selecting it on the Base Unit.*
7. Select the wireless connection channel by clicking on the drop down box and selecting the desired channel.
The channels available in the list vary according to the regional version of your Base Unit. Re-pairing the Buttons is not required when changing the frequency band or wireless connection channel.
8. Click **Apply** to confirm the changes.
Note: *Changes made to the WiFi settings will require a reboot of the device after applying.*

6.14 Advanced settings: access SSH



SSH is only for Barco service purposes.

About SSH access

SSH (Secured Shell) is a network protocol for secure data communication, remote command-line login, remote command execution between networked devices that connects via a secured channel over an insecure network.

A Secured Shell access can be enabled or disabled for the wireless interface and/or for the Ethernet port.

How to enable-disable

1. Log in to the ClickShare web interface.
2. Click the **Setup** tab (1) and click **Advanced** (2).
3. To enable access via wireless interface, check the check box next to *Enable SSH via wireless interface* (3).
To enable access via Ethernet port, check the check box next to *Enable SSH via Ethernet port* (3).

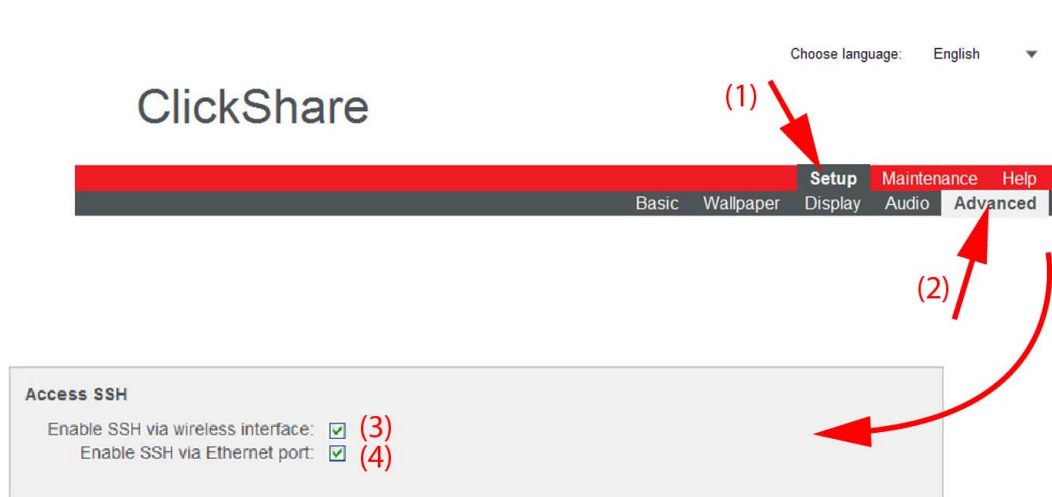


Image 6-25
Access SSH

6.15 Advanced settings: Access web interface

About access

The web interface is always accessible via the Ethernet port. Access via the wireless interface can be enabled or disabled.

How to enable-disable

1. Log in to the ClickShare web interface.
2. Click the **Setup** tab (1) and click **Advanced** (2).
3. To enable access via wireless interface, check the check box next to *Enable access via wireless interface* (3).



Image 6-26
Access web interface

6.16 Advanced settings: API configuration Settings

About API settings

The API can be enabled or disabled, that means that the access to unit from a external device can be given or can be blocked.

How to enable-disable

1. Log in to the ClickShare web interface.
2. Click the **Setup** tab (1) and click **Advanced** (2).

3. To enable access via API, check the check box next to *Enable API* (3).



Image 6-27
Enable API

6.17 Integration, Polycom

About the integration

When both, ClickShare and Polycom systems are installed in a meeting room, typically the video output of the ClickShare Base Unit is connected to the Polycom unit as a source input. In this case, a user can share content using ClickShare, which is then shown on the Polycom system.

Depending on the design and configuration of the Polycom system, the last content that arrives to the Polycom system is considered to be the current content and is shown on the display. Therefore, the ClickShare Polycom integration must overcome that the ClickShare Button keeps sharing while other content is shown.

To setup the integration the ClickShare Base Unit and the Polycom system need to be connected to the same network.

How to enable

1. Log in to the ClickShare web interface.
2. Click the **Setup** tab (1) and click **Integration** (2).

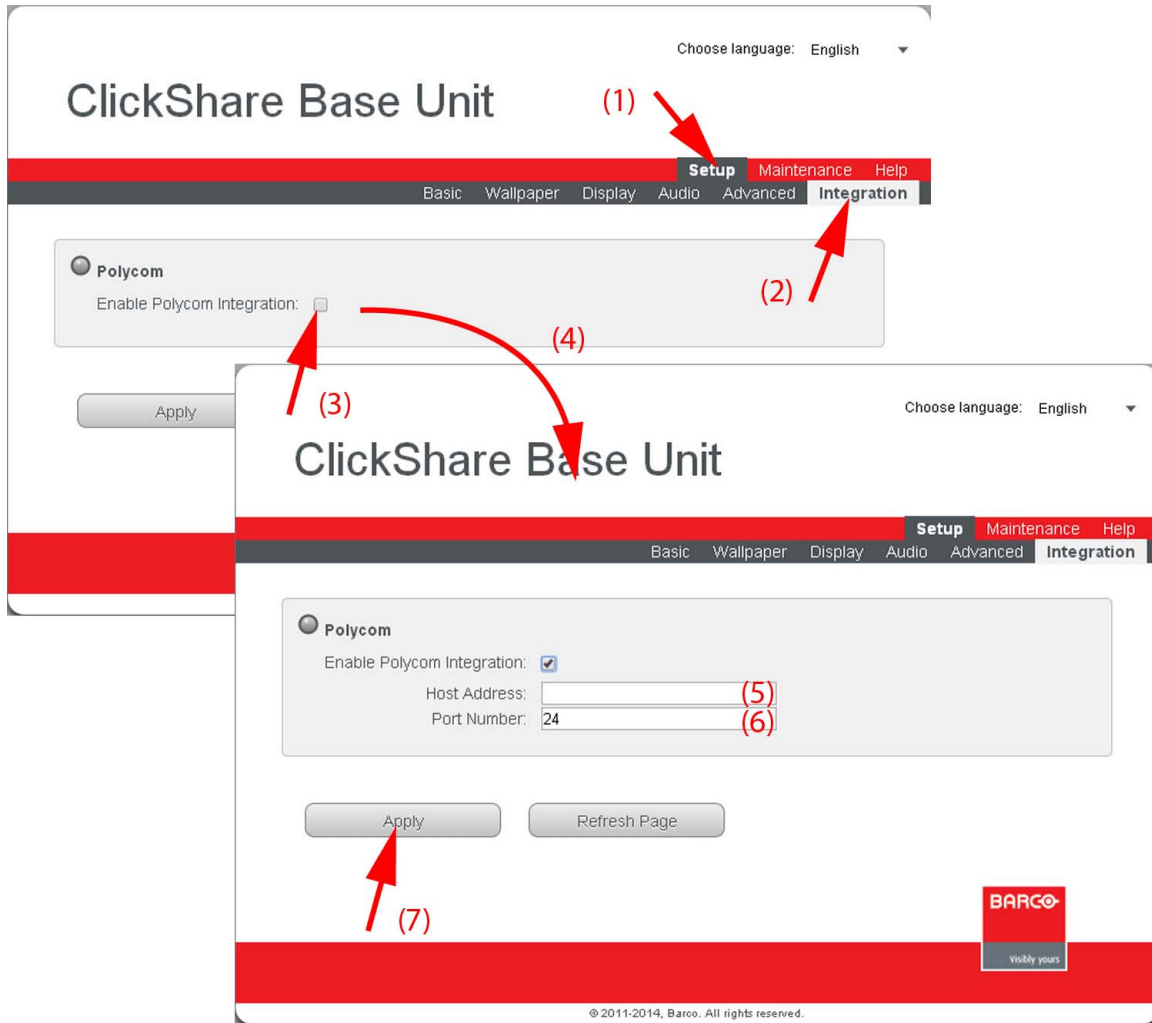


Image 6-28
Integration, Polycom

3. To enable Polycom integration, check the check box next to *Enable Polycom Integration* (3).

The user is asked to fill in the IP address or hostname (5) of the target Polycom unit together with the Telnet port¹ (6) that allows sending API commands.

4. Click **Apply** (7).

Once the integration is enabled, the ClickShare Base Unit will enter to the standby mode if there is no sharing ClickShare Button.

As soon as the connection is established between the two systems², the ClickShare Base Unit sends “notify vidsourcechanges” API command to the Polycom unit. From that moment on, if content coming from ClickShare is taken out from the display by the Polycom unit, all ClickShare Buttons that are currently sharing content will go to Ready to Share mode and the ClickShare Base Unit will go to the standby mode. The client can start sharing again by clicking to their buttons and their content will be shown on the display.

In case of an error, the LED will turn to red and an error string will be shown.

Disable the connection

1. Uncheck the check box next to *Enable Polycom Integration*.
2. Click **Apply**.

The ClickShare Base Unit will send “nonotify vidsourcechanges” API command to the Polycom unit and the connection will be closed.

¹. Telnet port is set to 24 by default.

². Since establishing the connection may take some time, refreshing the current page may be necessary to see the latest status of the connection.

6.18 Maintenance, status check ClickShare

About status check

The status tab within **Maintenance** gives an overview of

- the LAN interface settings,
- the WiFi settings,
- System identification
- Historical updates
- Subsystem status
- Sensors
- System management

To check the system status

1. Log in to the ClickShare web interface.
2. Click the **Maintenance** tab and click **Status**.

The **Status** tab page is displayed.

ClickShare Base Unit

Choose language: English

Setup Maintenance Help

Status Buttons Link Software Configuration Password Logging

LAN Interface

DHCP: Enabled
 IP Address: 10.192.14.49
 Subnet Mask: 255.255.254.0
 Default Gateway: 10.192.14.1
 MAC Address: 00:19:99:CF:0F:2A

WiFi Network

IP Address: 192.168.2.1
 Subnet Mask: 255.255.255.0
 MAC Address: 00:0E:8D:2B:12:BA
 SSID: ClickShare-LAP
 Associated Devices: 0 (detail)

System

Identification

Article Number: R09810008EU
 Serial Number: 9417000083
 Firmware Version: 01.03.00.0491
 First Used: 2012-08-28T13:28:52
 Last Used: 2013-07-25T09:04:53
 Current Uptime: 01:36
 Total Uptime: 22d 17:55

Update History

Firmware Version	Update Date (UTC)
01.03.00.0491	2013-07-22T17:41:17

Subsystem Status

Status	Process
✓	Click Share Server (baseunit)
✓	Config Manager (CentralStore)
✓	DBus Daemon (dbus-daemon)
✓	DHCP Server (dhcpd)
✓	Device Daemon (udev)
✓	Graphics Server (G)
✓	Job Scheduler (cron)
✓	Process Monitor (monit)
✓	System Logging (rsyslogd)
✓	WebUI Server (lighttpd)
✓	WiFi Access Point Daemon (hostapd)

Sensors

Case Fan Speed: 1110 rpm
 CPU Temperature: +63.5 °C
 SIO Temperature: +34.0 °C
 PCIe Temperature: +29.0 °C

Image 6-29
Status overview

Detailed info for the WiFi network

To see the MAC address of the associated devices, click on the corresponding **detail** button to get an overview.

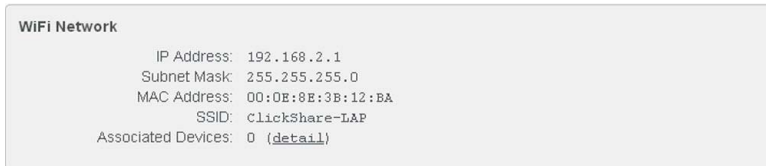


Image 6-30
Detail associated devices

System Management

Use the **Restart System** button to restart ClickShare.

Use the **Shutdown System** button to shutdown ClickShare.

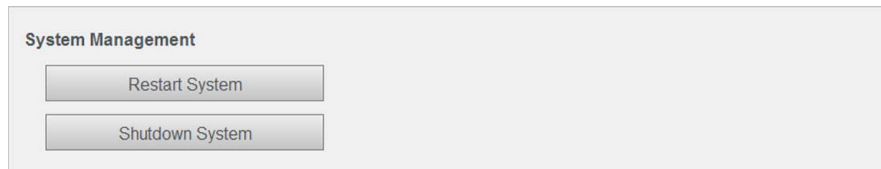


Image 6-31
System management

6.19 Maintenance, Buttons information

About buttons

The **Buttons** tab gives information on the Buttons that have been paired to the Base Unit.

The following information is given:

- Connected or not
- Serial number
- Last connected
- Status

How to get the information

1. Log in to the ClickShare web interface.
2. Click the **Maintenance** tab (1) and then click **Buttons** (2).

The content of the **Buttons** tab is displayed.

Choose language: English

ClickShare Base Unit

Setup Maintenance Help

Status **Buttons** Link Software Configuration Password Logging

Overview of Paired Buttons

Latest Firmware Version: 01.04.00.0540

Connected	Serial Number	Last Connected	Status	Signal Quality	More...
	9714150189	2013-11-20T11:05:30			More...
	9714160055	2013-09-10T16:39:28			More...
	9714159385	2013-09-09T10:06:46			More...
	9714173481	2013-09-02T13:16:44			More...
	9714150325	2013-08-19T13:40:36			More...
	9714150157	2013-08-19T13:35:57			More...
	9714159348	2013-08-12T08:30:02			More...
	9714159348	2013-08-12T08:29:37			More...
	9714160055	2013-09-10T08:17:15			More...
	9714150157	2013-08-19T13:33:17			More...
	9714150325	2013-08-19T13:38:34			More...
	9714159385	2013-09-09T10:03:36			More...
	9714173481	2013-09-02T13:13:29			More...

Remark: Previously paired Buttons that have in the meantime been paired to another base unit, need to be re-paired to this unit to display content on-screen.

ClickShare Button Manager

Download

Here you can download the configuration file for the ClickShare Button Manager.

Image 6-32
Paired buttons, overview

The list gives an overview of the Buttons that have in the past been paired to this Base Unit. If a Button has in the meantime been paired to another Base Unit, it will still appear in this list. To remove it from the list, at the right of the tab page, click **More** and select **Remove from list**.

In the overview of paired Buttons, for each Button that has been paired to this Base Unit, you will find:
The following items can be seen in the list:

- Connected: indicates whether the button is connected or not at the moment.
- Serial number: the unique serial number of the button.
- Last connected: the date the Button was last connected to the Base Unit
- Status the firm- and software status of the button.

Status indication	Icon	Explanation
OK		Button firmware and software are up to date. The Button has been paired to the Base Unit.
ERROR		The Button needs to be paired to the Base Unit again before using it. The Button firmware version is incompatible with the Base Unit firmware version.

3. To get more information on the Button firmware, the number of connections and the MAC address, click **More...**



Image 6-33

The Button can be removed from the list by clicking on **Remove From List**.

ClickShare button manager

By clicking on **Download** (3), an XML file is downloaded on the PC. This file contains all information about the base unit to pair buttons on your PC instead of on the base unit itself. To pair buttons on a PC you need to install the ClickShare Button Manager program.

6.20 Maintenance, update Buttons over WiFi

About update Buttons over WiFi

When the Base Unit software is version 01.06 or higher, the Button software will update automatically over WiFi and does not need manual pairing again. The Button software update runs in the background and will not impact users while using the system. If desired, this feature can be disabled in the Web Interface. When downgrading or updating to an older version of the Base Unit software the Buttons need to be paired manually to update their software.

How to enable/disable

1. Log in to the ClickShare web interface.
2. Click the **Maintenance** tab (1) and then click **Buttons** (2).

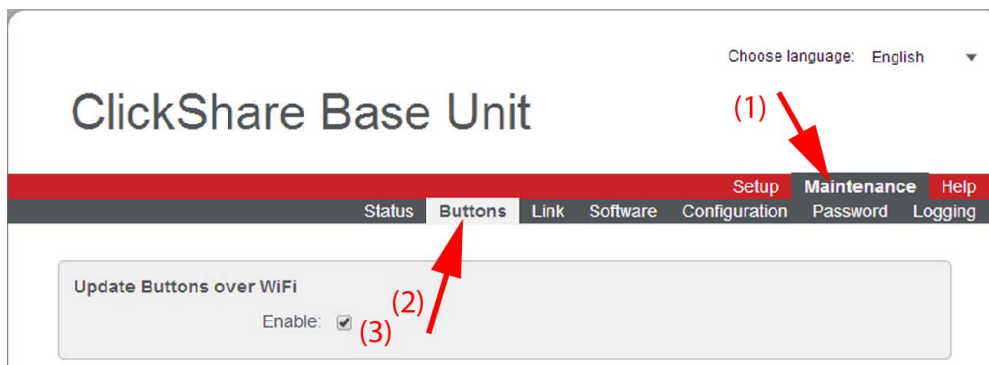


Image 6-34
Update Buttons over WiFi

3. To enable update over WiFi, check the check box next to *Enable* (3) in the *Update Buttons over WiFi* pane.

6.21 Configured Links

About Configured Links

The ClickShare Link connected to the Base Unit is indicated on the Links tab. From this location the Link can be calibrated or it can be removed from the list.

How to display the Links

1. Log in to the ClickShare web interface.
2. Click the **Maintenance** tab (1) and then click **Links** (2).

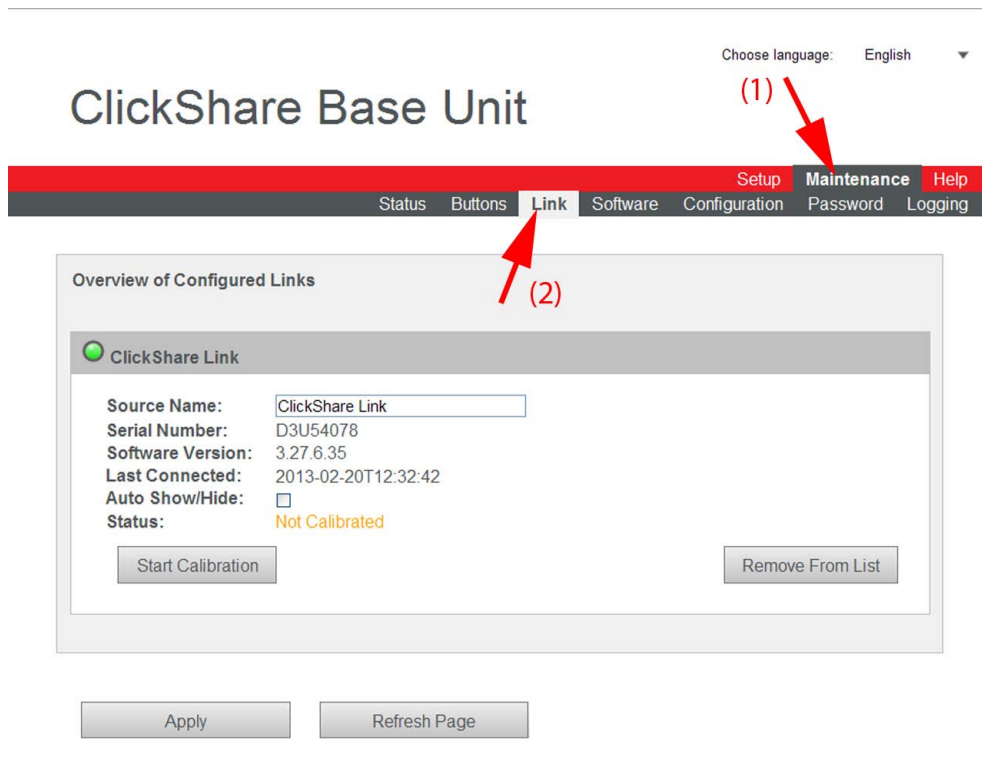


Image 6-35
Link, overview

The content of the **Links** tab is displayed.

An overview of the configured links is given with the following extra info of the Link:

- The green LED indicates that the Link is connected.
- Source name: can be changed to any name, just by clicking inside the input field and entering a new name.
- Serial number
- Software version
- Last connected time
- Auto show/hide
- Status, calibrated or not calibrated

3. To remove the connected Link from the configuration, click **Remove From List**.

About Auto show/hide

Enable (check) this option when you want to hide the Apple TV menu automatically. This requires calibration of the Link. If this option is disabled (unchecked), the Apple TV menu will appear as one of the sources in the ClickShare composition.

6.22 Calibrating a ClickShare Link

About calibration

In the context of Apple TV combined with the Link frame grabber, calibration is the procedure of detecting and determining a reference image. This is used by the Auto Show/Hide function: When the output image of the ClickShare Link matches the reference image the output of the ClickShare Link is hidden.

The ClickShare Link will typically be calibrated on the Apple TV home screen.

The calibration will analyze the image during a 20 second time span. Only parts of the image that do not change during this period will be used. This allows the algorithm to cope with the different appearances of the home screen (e.g. Computers or Settings selected) and the transients between them.

If for some reason calibration fails the previous reference image will be restored.

How to calibrate

1. Log in to the ClickShare web interface.
2. Click the **Maintenance** tab (1) and then click **Links** (2).

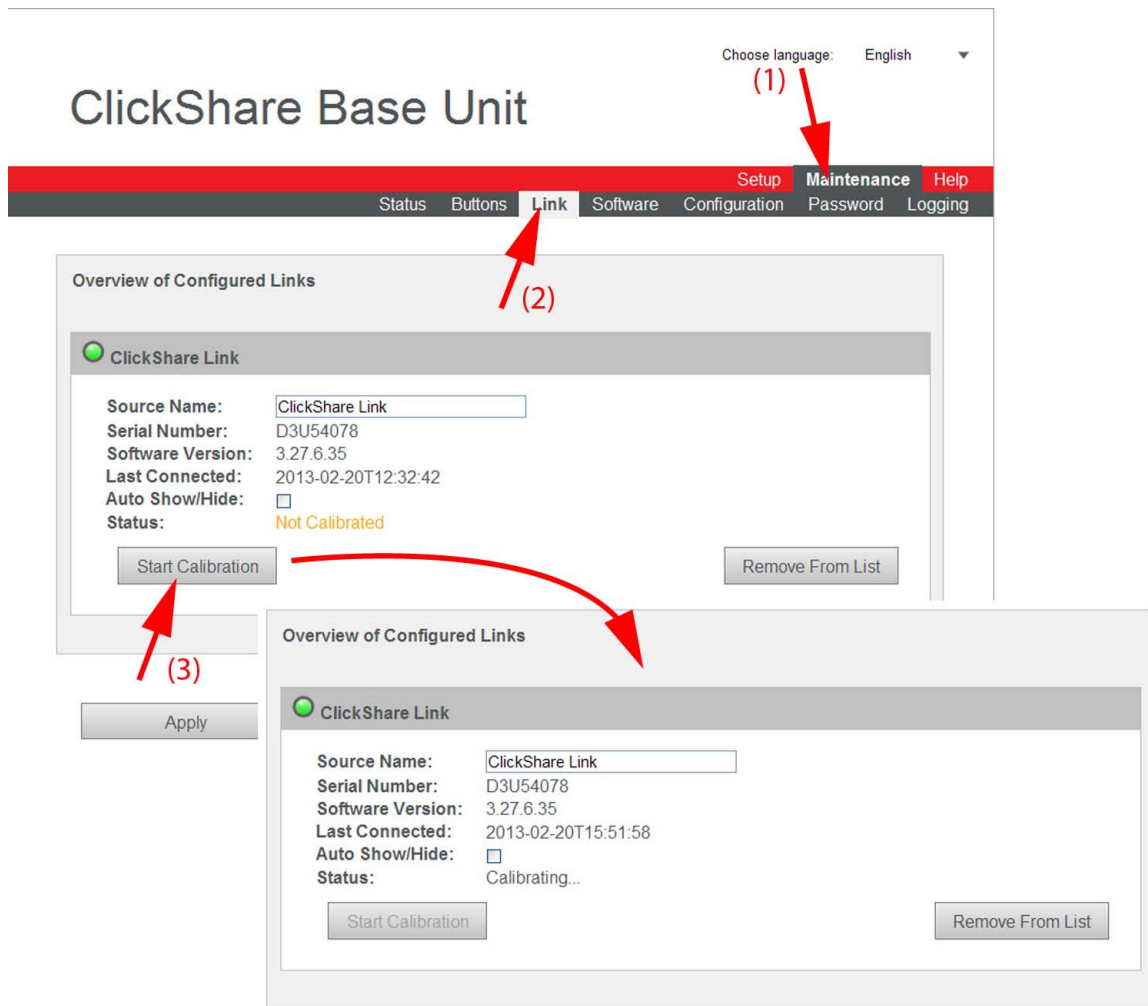


Image 6-36
Start calibration

3. Click **Start Calibration**.

The calibration process starts.

A calibration message with progress bar is displayed on the meeting room display.

Use the Apple TV remote to cycle through the top row of icons (the row with Computers and Settings) on the home screen.

When the calibration is successful, the Status will change to *Calibrated*.

Note : If the visible application icons (just below the top row) are changed it will be necessary to repeat the calibration.

6.23 Base Unit software update

About Software update

The software of the Base Unit can be updated via the web interface. The latest version of the software is available on Barco's website, www.barco.com/clickshare. Click on Download Software.

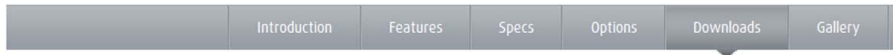


Image 6-37
Download page

How to update

1. Download the latest version of the software from Barco's website.
2. Log in to the ClickShare web interface.
3. Click the **Maintenance** tab (1) and then click **Software** (2).

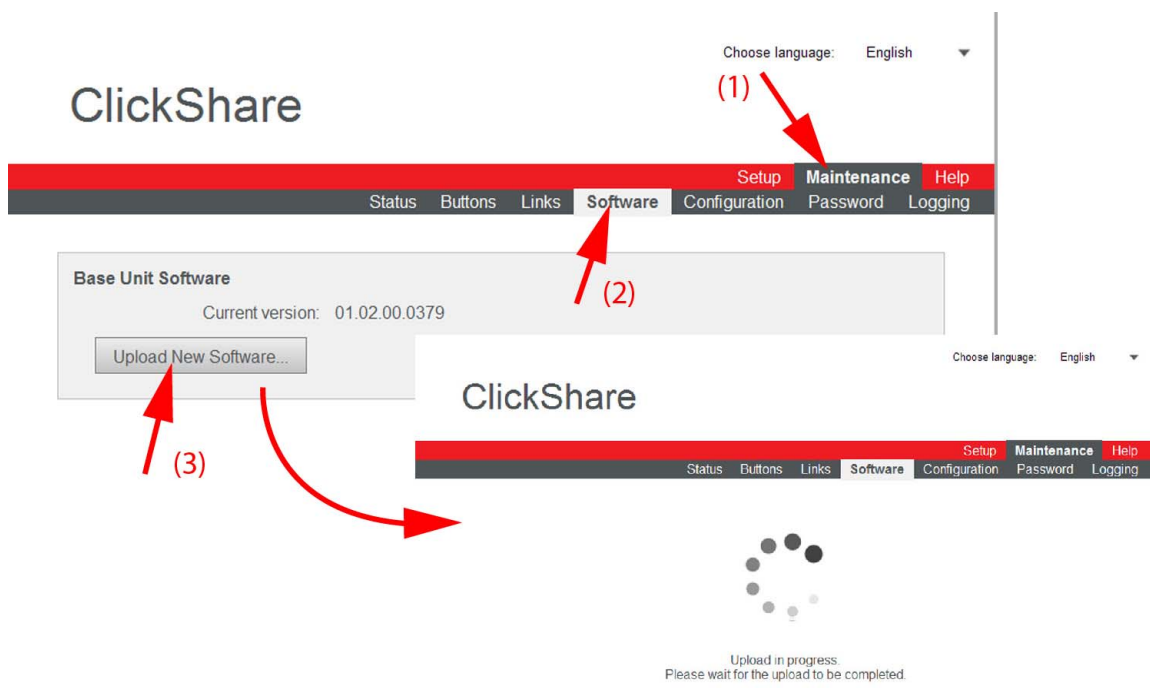


Image 6-38
Update software

The content of the **Software** tab is displayed.

The current version of the Base Unit software is shown in the Base Unit Software pane.

4. To upload a new version of the Base Unit software, click **Upload New Software...** (3).

A browser window opens.

5. Browse to the file with the new software and click **Open** to start the upload.

Note: This should be an ipk file. You might have to unzip the file downloaded from Barco's website.

Note: Updating the software to the Base Unit and installing it can take several minutes. Progress can be followed on the meeting room display.

The Base Unit software is updated.



When updating the Base Unit software to version 01.06 or higher, the Button software will update automatically over WiFi and does not need manual pairing again. The Button software update runs in the background and will not impact users while using the system. If desired, this feature can be disabled in the Web Interface. When downgrading or updating to an older version of the Base Unit software the Buttons need to be paired manually to update their software.

Important notice for updating to software version 01.05 and above

Please note that firmware versions 01.04 and above are digitally signed to raise security level. To change from an unsigned firmware version to signed firmware, an intermediate step is required. This step is included in firmware version 01.04. As a result, updating

6. Web Interface

firmware version 01.03 to firmware version 01.05 requires first an update from version 01.03 to 01.04, followed by an update from 01.04 to 01.05. When updating firmware version 01.04 to higher versions, no special action is required. Downgrading a firmware version to an older version does not require an intermediate step.

Flows to follow when up or downgrading between signed and unsigned versions:

Software upgrade:

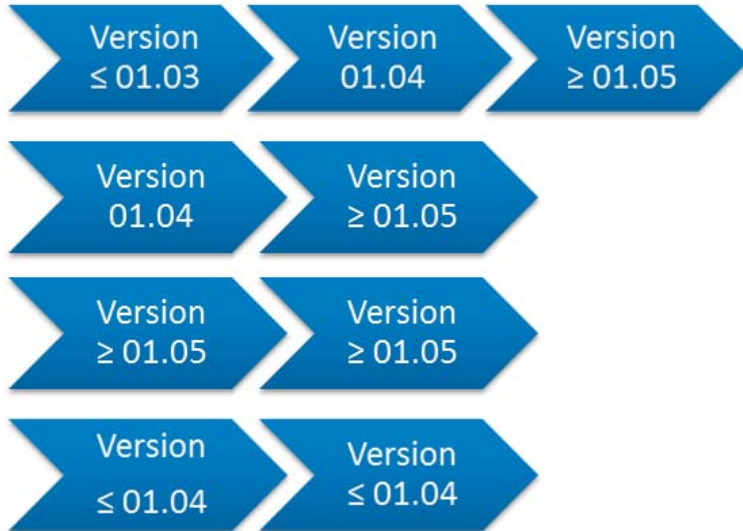


Image 6-39

Software downgrade:



Image 6-40

6.24 Downloads from Base Unit (launcher service)

About downloads

The launcher service and the ClickShare client software for PC or MAC are stored on the Base Unit and can be downloaded for installation on the user's PC.

For more information, see "Pre-install of the Launcher service", page 34.

How to download

1. Log in to the ClickShare web interface.
2. Click the **Maintenance** tab (1) and then click **Software** (2).

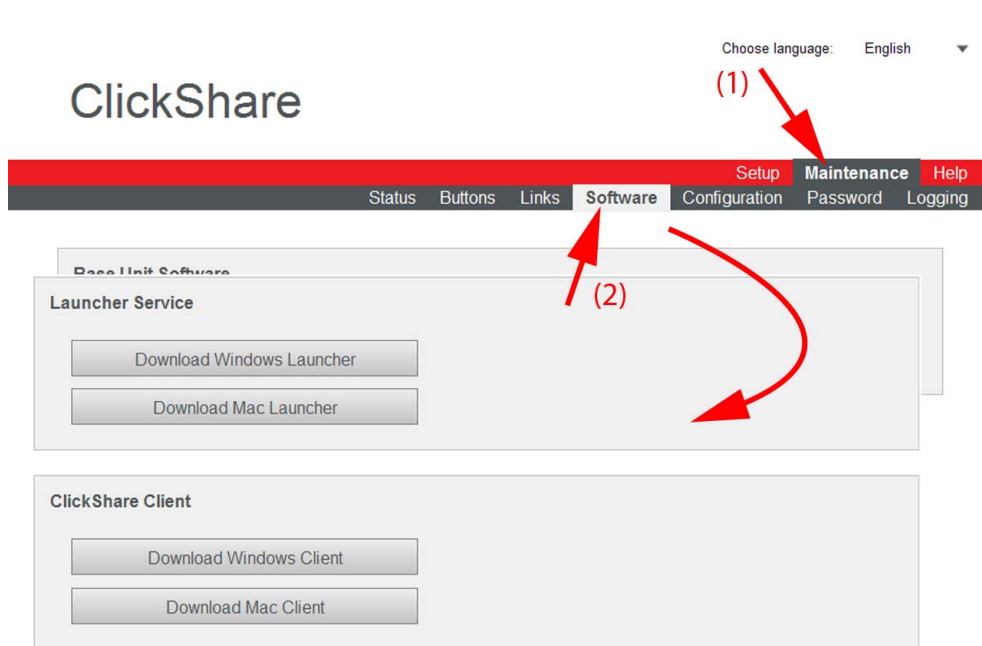


Image 6-41
Downloads software

The content of the **Software** tab is displayed.

3. To download the Launcher Service, for Windows, click on **Download Windows Launcher** or for Mac, click on **Download Mac Launcher**.
4. To download the ClickShare Client, for Windows, click on **Download Windows Client** or for Mac, click on **Download Mac Client**.

6.25 Manage System Configuration

About Manage system configuration

A full backup can be downloaded but cannot be used to duplicate configuration settings to other Base units. Therefore, it is possible to download a Portable version. This portable version can be uploaded via the upload configuration button on other Base units. Via the same button, the full backup can be uploaded on the original Base Unit.

A portable backup contains:

- Wallpapers
- Wallpapers settings
- Logging settings
- Link name
- Link setting auto show/hide
- All display settings
- OSD language
- Location
- Welcome message
- Audio functionality enabled/disabled
- WiFi channel
- WiFi frequency

To manage the system configuration

1. Log in to the ClickShare web interface.
2. Click the **Maintenance** tab (1) and then click **Configuration** (2)..

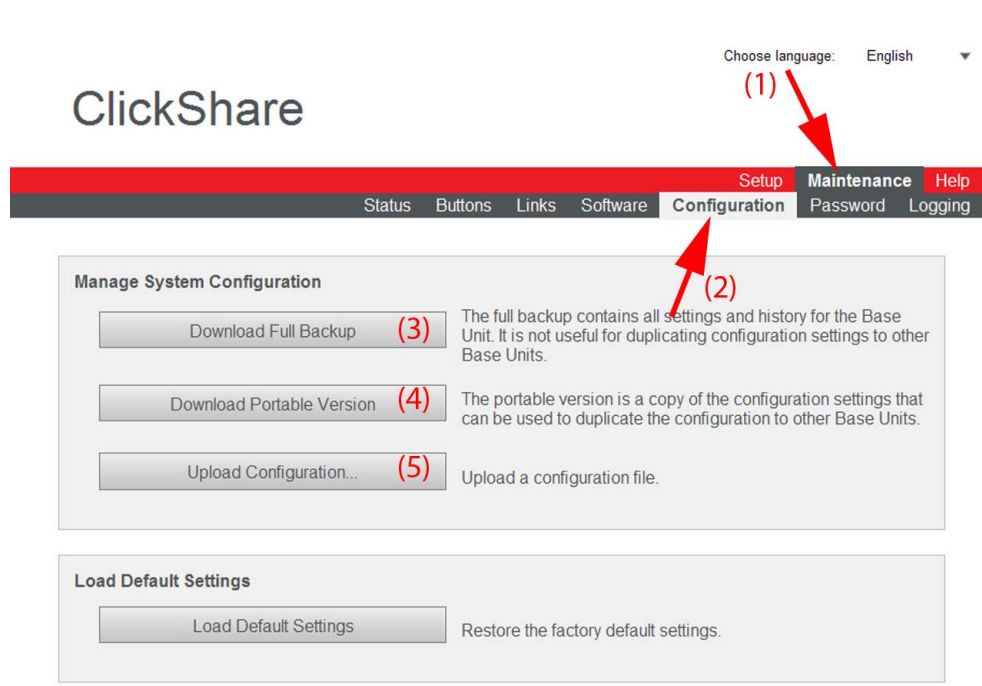


Image 6-42
Manage system configuration

The content of the **Configuration** tab is displayed.

- To download a full backup, click on **Download Full Backup** (3).

An xml file, containing all information and history will be downloaded. This file can be reused on the same Base Unit only.

- To download a portable version, click on **Download Portable Version** (4).

An xml file, containing portable information to duplicate settings on another Base Unit.

- To upload a configuration, click on **Upload Configuration** (5).

A browser window opens. Navigate to the upload file (xml file) and click **Open** to upload.



When uploading a config file, the history of software updates and paired dongles is lost. Paired dongles will however remain functional if the Base Unit has not changed from SSID or wireless password.

6.26 Load Default Settings

About default settings

The ClickShare Base Unit can return to the factory default settings.

The following settings are the defaults:

- Meeting room identification info is cleared.
- Language is set to English.
- Custom wallpapers are removed and the default wallpaper is restored.
- Display resolution is set to auto and standby timer is reset to infinity
- Display Identifiers are turned off.
- Hostname and SSID is set to *clickshare-serialnumber*.
- The SSID is broadcasted
- WiFi password is reset to *clickshare*.
- The default WiFi channel is set back to frequency 2.4 GHz, channel 6.
- The update history is cleared.
- The table with the associated Buttons is cleared.
- The admin password is reset to *admin*.
- Debug logging and remote logging are disabled.

How to restore factory defaults

1. Log in to the ClickShare web interface.
2. Click the **Maintenance** tab (1) and then click **Configuration** (2)..

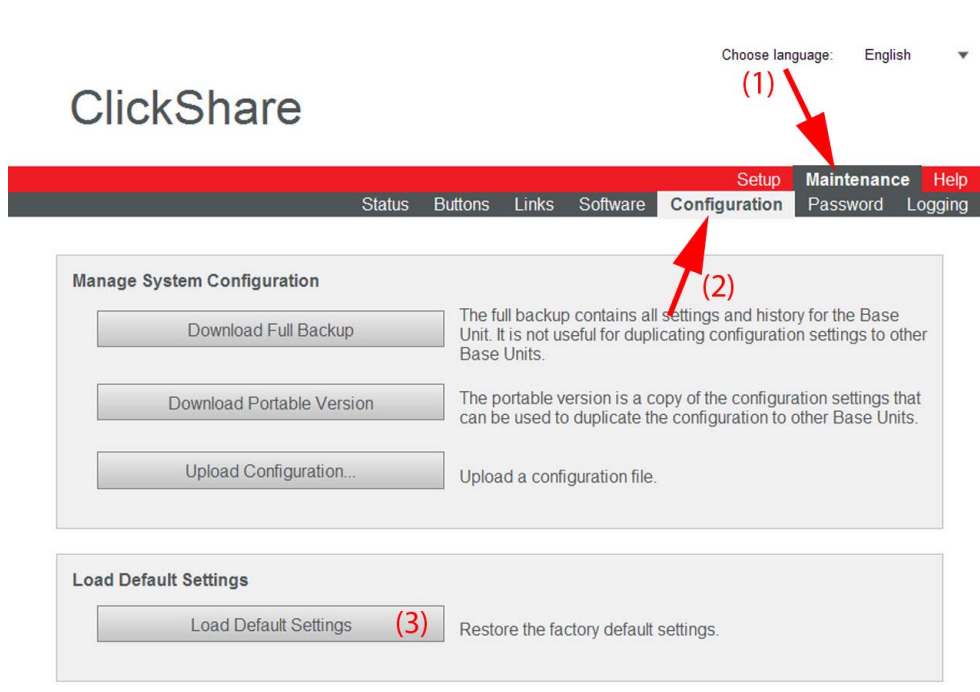


Image 6-43
Factory defaults

3. Click on **Load Default Settings** to return to the factory defaults (3).

Alternative way to load default settings

1. With the Base unit switched off, connect a USB keyboard to a USB port at the back side the Base unit.
2. Power up the Base Unit.
3. Press multiple times on the Down arrow keys to select *Load Default Settings* in the boot menu (Grub) and press **ENTER**.



Image 6-44
Alternative way

6.27 Administrator password

About the administrator password

The administrator password to log in in the web interface can be changed at any time.

To change the administrator password

1. Log in to the ClickShare web interface.
2. Click the **Maintenance** tab (1) and then click **Password** (2)..

The content of the **Password** tab is displayed.

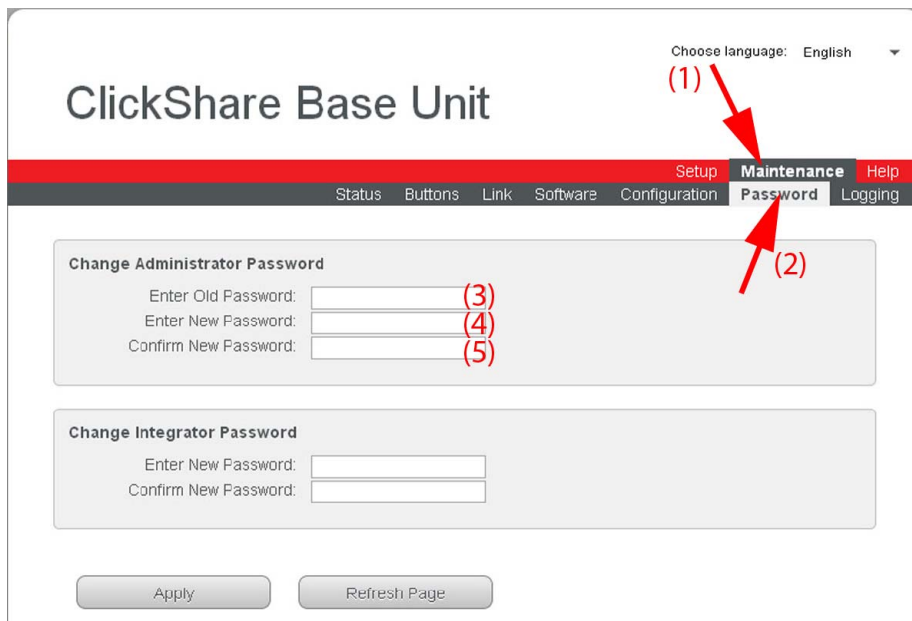


Image 6-45
Password

3. Enter the old password (3).
4. Enter the new password (4).
5. To confirm, enter the new password a second time (5).
6. Click **Apply**.

The administrator password is changed.

6.28 Integrator password

About the integrator password

When an integrator wants to access the ClickShare Base Unit via API commands a typical password can be required. This password can be changed at any time by the administrator of the ClickShare Base Unit.

To change the integrator password

1. Log in to the ClickShare web interface.
2. Click the **Maintenance** tab (1) and then click **Password** (2)..

Image 6-46
Integrator password

3. Enter the new password (3).
4. To confirm, enter the new password a second time (4).
5. Click **Apply**.

The integrator password is changed.

6.29 Log settings

About logging

Both Button and Base Unit log data is saved in log files on the Base Unit. These log files can contain debugging information. They can be downloaded on a local computer and cleared on the Base Unit

How to use

1. Log in to the ClickShare web interface.
2. Click the **Maintenance** tab (1) and then click **Logging** (2)..

The content of the **Logging** tab is displayed.

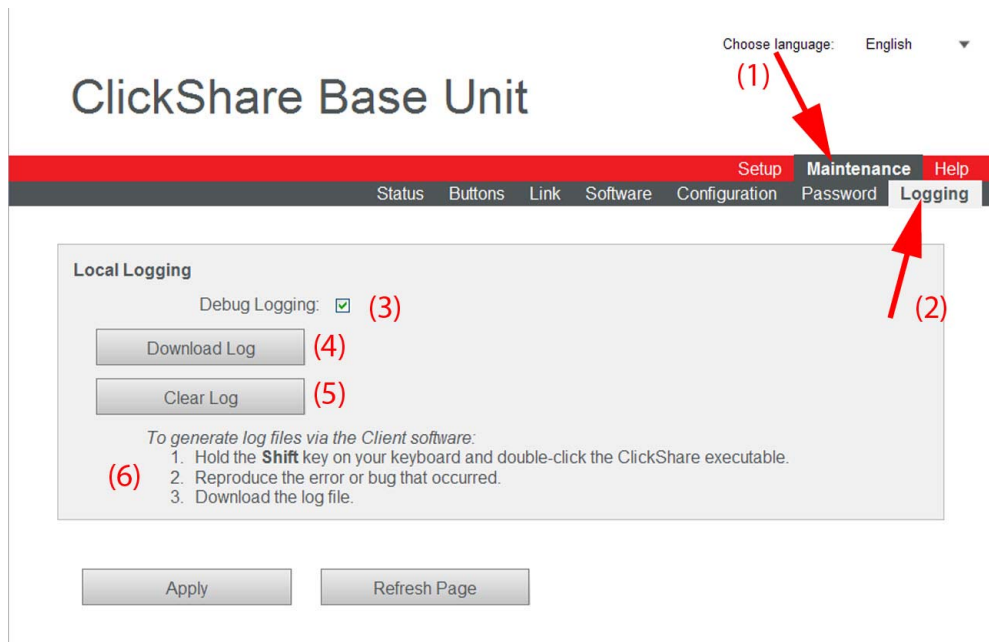


Image 6-47
Logging

3. To create a debug log, check the check box next to *Debug Logging* (3).
4. Reproduce the issue you want to report.
5. To download the current log file, click on **Download Log** (4).
6. To clear the current log file, click **Clear Log** (5).
7. • To enable logging by the ClickShare client (6):
 - If the launcher service is running hold down the shift key while connecting the dongle to the PC, until logging is started.
 - If the launcher service is not running : hold down the shift key while double clicking the ClickShare application.

The following message appears on the sys tray:

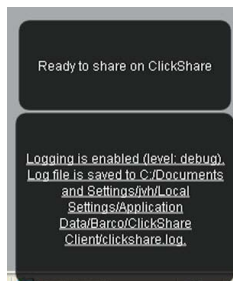


Image 6-48
Client logging

8. Click **Apply**.

6.30 ClickShare Help, Barco contact data

About ClickShare Help

All kind of manuals, firmware and software updates can be found on Barco's website. For technical assistance contact your reseller.

How to consult

1. Log in to the ClickShare web interface.
2. Click the **Help** tab (1) and then click **Contact** (2).

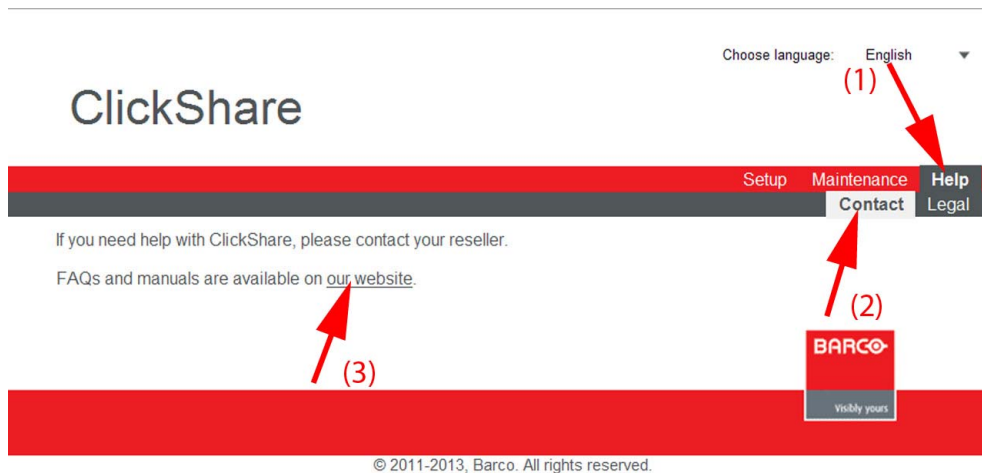


Image 6-49

The content of the **Contact** tab is displayed.

The **Contact** page contains a link to the ClickShare home page on Barco's website (3).

3. Click on the link **Visit the ClickShare product page**.
4. Click **Downloads**

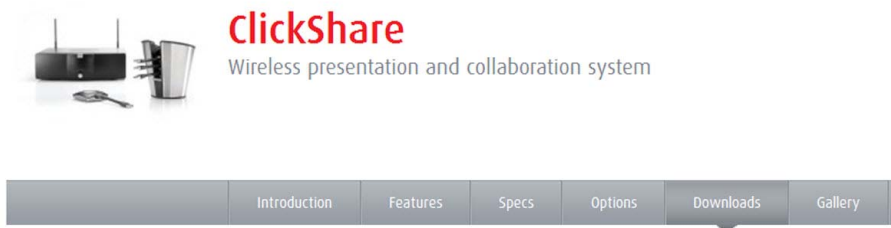


Image 6-50

All kind of manuals, brochures and software updates can be found on that page.

6.31 Barco ClickShare EULA

About the Barco ClickShare EULA

The Barco ClickShare End-User License Agreement (EULA) can be consulted on the **Legal** tab page.

How to consult

1. Log in to the ClickShare web interface.
2. Click the **Help** tab (1) and then click **Legal** (2).

The End-User license agreement is displayed.

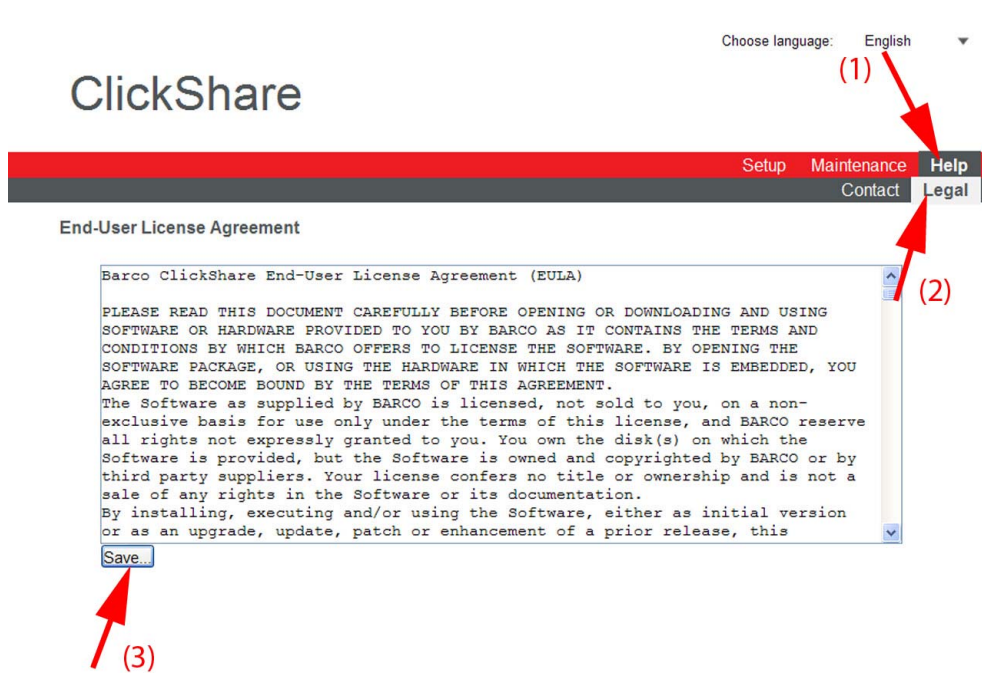


Image 6-51
EULA

3. If desired, click **Save ...** (3) to save a copy of the agreement on your laptop.
4. In the **File Download** window, click **Save**.
The **Save as** window opens.
5. Browse to the location where to store the EULA file and click **Save**.
A copy of the Barco ClickShare EULA has been saved to your laptop.

7. SOFTWARE UPDATES

7.1 Software update

About Software updates

There are two ways to update the Base Unit software:

- via the Web Interface, for more information, see "Base Unit software update", page 64
- by copying the software on a USB stick

To update the Base Unit software by copying the software on a USB stick

1. Download the latest version of the software from Barco's website, , www.barco.com/clickshare. Click on **Visit the ClickShare product page** and go to tab **Downloads**
2. Unzip the file and copy the ipk file to a USB stick.
3. Rename the file to `clickshare_firmware.ipk`.
Renaming is necessary as the software will look for that specific filename on the device.
4. Insert the USB stick into the USB port at the front of the Base Unit.
5. Follow the instructions on the meeting room screen.
6. When the on-screen message indicates that the process is finished, remove the USB stick.

The Base Unit shuts down.



When updating the Base Unit software to version 01.06 or higher, the Button software will update automatically over WiFi and does not need manual pairing again. The Button software update runs in the background and will not impact users while using the system. If desired, this feature can be disabled in the Web Interface. When downgrading or updating to an older version of the Base Unit software the Buttons need to be paired manually to update their software.

Important notice for updating to software version 01.05 and above

Please note that firmware versions 01.04 and above are digitally signed to raise security level. To change from an unsigned firmware version to signed firmware, an intermediate step is required. This step is included in firmware version 01.04. As a result, updating firmware version 01.03 to firmware version 01.05 requires first an update from version 01.03 to 01.04, followed by an update from 01.04 to 01.05. When updating firmware version 01.04 to higher versions, no special action is required. Downgrading a firmware version to an older version does not require an intermediate step.

Flows to follow when up or downgrading between signed and unsigned versions:

Software upgrade:

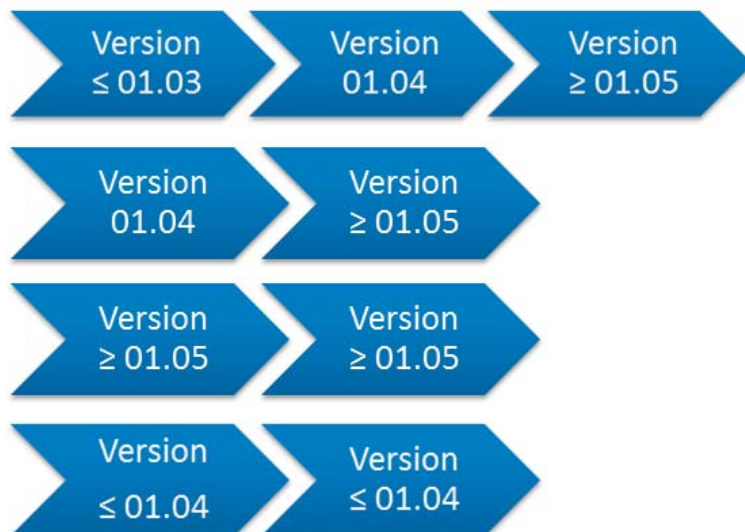


Image 7-1

Software downgrade:



Image 7-2

8. TROUBLESHOOTING

8.1 Troubleshooting list

Problem solving

Locate the problem you are experiencing in the table below and apply the solution.

Problem	Cause	Solution
Quality of the image on the meeting room display is not satisfactory	The quality or length of the cable between the Base Unit and the display or the connection between these two.	<ul style="list-style-type: none"> Replace the cable. Use another cable.
	Bad resolution of the display The system can handle the average laptop resolution of 3 Megapixel. However, up or down scaling on the meeting room display can cause visible artefacts.	Change the resolution on the web interface and match it to the native resolution of the meeting room display.
Users have a bad wireless connection. The connection from the Button to the Base Unit keeps falling away.	Wireless congestion	<ul style="list-style-type: none"> Use a WiFi scanner to find a free wireless channel and select it via the web interface. You can use commercial as well as free online tools such as inSSIDer or Xirrus for this. Refer to "Changing advanced ClickShare settings".
	Low signal strength	<ul style="list-style-type: none"> Put the Base Unit closer to the meeting room table. Change the orientation of the antennas at the back of the Base Unit. Remove or limit as much as possible all obstructions between the Buttons and the Base Unit.
Web interface is not accessible	Browser	<ul style="list-style-type: none"> Use another browser (version). Check the browser settings.
	No connection	<ul style="list-style-type: none"> There are three methods to access the web interface. Refer to the corresponding chapter of the documentation. Check the proxy settings
Users do not get a ClickShare drive when inserting the Button in their laptop.	<ul style="list-style-type: none"> No automatic refresh of drives Windows tries to assign the ClickShare drive to an already reserved drive letter 	<ul style="list-style-type: none"> Refresh your view on the laptop. Use Microsoft Windows Disk Management to assign it to a free drive letter.
	Bad connection at USB port on the laptop	<ul style="list-style-type: none"> Reconnect to the USB port. Try another USB port. Reboot the laptop.
	<ul style="list-style-type: none"> Some types of USB devices might be blocked as a company policy. USB port settings on the laptop might limit the usage of high power USB devices when on battery power. 	If possible, change the USB port policy on the laptop.

8. Troubleshooting

Problem	Cause	Solution
Low video performance	Laptop performance	<ul style="list-style-type: none"> Lower the screen resolution of the laptop. Disable the hardware acceleration for video. Use only a part of the display to show the video. Set the capture mode to Fast (right click ClickShare icon in system tray)
	Wireless connectivity	See "Users have bad connectivity"
Video is not shown on screen	Player uses overlays	Disable the usage of overlays in the preferences of the video player.
	The content uses HDCP	ClickShare does not support showing HDCP content (it will be displayed as black)
Some programs of Windows are not shown on the display	Use of overlays, 3D or hardware acceleration in the GPU	<ul style="list-style-type: none"> Disable overlays or hardware acceleration in the GPU. Disable AeroGlass in Windows 7 Upgrade the Base Unit to the latest software version.
When using Windows 7 the following message about the Windows Aero color scheme appears: "Windows has detected your computer's performance is slow. This could be because there are not enough resources to run the Windows Aero color scheme. To improve..."	ClickShare uses resources from the GPU. In combination with other programs which do so, Windows 7 sometimes shows this message suggesting to disable Aero to improve the performance of your laptop.	It is safe to ignore this message and choose 'Keep the current color scheme'.
Your screen is not shown on the display when pressing the Button	You are the fifth person that wants to share content. Only four screens can appear simultaneously	Click and hold the button for 2 seconds to use the Show me full screen function.
	The ClickShare software is not running.	Go to the ClickShare drive and run the software.
Your content is removed from the display and the LEDs on the button are blinking white	Connection to the Base Unit is lost.	ClickShare tries to restore the connection automatically. If it fails, the LEDs on the Button start blinking red. Unplug the button from your laptop and try a new button.
Nothing is shown on the displays at all.	The displays are switched off.	Switch on the displays.
	The display cables are not correctly connected	Insert the display cables to the displays and the Base Unit.
	The display does not recognize or is not able to display the Base Unit output resolution.	Change the corresponding setting via the web interface.
	The Base Unit is in standby mode	Briefly push the standby button on the Base Unit or insert a button and run the ClickShare software.
	The Base Unit is switched off	Set the rocker switch at the back of the unit to "1".
Bad WiFi connectivity	Congestion of the wireless channel	Use wireless network scan tools to look for free or the least congested channels.
	Metal cabinets, walls, construction elements, ... can cause reflections deteriorating the wireless signal. Obstructions between Buttons and Base Unit cause lowering of the wireless strength and quality.	Move the Base Unit to another place in the room.
		Avoid placing it inside cabinets, false ceiling, below the table, behind a wall, in another room,
		Re-orient the Base Unit antennas
		Check out the ClickShare White paper on WiFi See www.barco.com/clickshare .

Problem	Cause	Solution
Base Unit does not start up correctly.	A USB stick, ClickShare Button or another USB device is connected to one of its USB slots at start-up.	Remove the connected USB device and restart the unit.
Base Unit software does not start up correctly after software update	It seems to be in an endless loop during startup	To recover, connect a keyboard to the Base Unit. When the boot selection menu comes up, press the arrow keys to select a previous version of the software and confirm by pressing Enter. Browse to the Web interface and update the software again to the latest version.
During start-up the Base Unit freezes a few minutes displaying the message "ata_id[...]: HDIO_GET_IDENTIFY failed for ...".	This is a known issue.	<ul style="list-style-type: none"> The freeze lasts maximum 2 or 3 minutes. The Base Unit starts up normally. Upgrade the Base Unit to the latest software version to fix the problem.
Base Unit does not function properly.	The LAN IP address the Base Unit received from the DHCP server is in the 192.168.1.xxx range.	Disconnect the LAN cable.
In Windows XP, I cannot see the ClickShare drive in the window "My Computer".	This problem might be caused by a known issue of Windows XP	You can find more details and the appropriate solution via link : http://support.microsoft.com/kb/297694
ClickShare does not work on my Mac	ClickShare with software version 01.01.00.0092 is not compatible with MacBook with Retina display	This is a known issue. Upgrade the Base Unit with the latest software version to fix the problem.
	ClickShare with software version 01.01.00.0092 does not work on Mac's of which the resolution width is not dividable by 4.	This is a known issue. Upgrade the Base Unit with the latest software version to fix the problem.
	Virtualisation software like Parallels	<p>When using a virtualisation software on Mac OS/X like Parallels, there are two possibilities:</p> <ol style="list-style-type: none"> The user can assign the USB port to te host machine (OS/X). In that case, Parallels content is treated like just another application, in other words, the users main display is screen scraped and shown by ClickShare. The user can assign the USB port to the virtual machine (e.g. Windows). In that case, the Windows desktop will be screen scraped in normal mode. When in Unity mode, there is no Windows desktop. In that case, it is better to use mode (1) as described above.
ClickShare does not recover after my Mac goes into standby	Known issue on OS X Mountain Lion (version 10.8.x). The ClickShare client cannot reconnect to the Button after stanby.	<ul style="list-style-type: none"> No fix yet. Unplug and reconnect the ClickShare Button to recover. Upgrade the Base Unit to the latest software version.
Boot time takes a very long time. Unit seems not to react for several minutes.	There is a known issue that causes the boot process to freeze for 2-3 min.	<ul style="list-style-type: none"> Just wait 2 or 3 minutes, the unit will continue booting normally. Upgrade the Base Unit to the latest software version.
Web Interface shows error in the processes "WiFi Access Point Daemon" and/or "DHCP Server"	Configuration file is corrupted	Browse to the Configuration tab on the Web Interface and press "Load Default Settings".
		Connect a keyboard to the Base Unit. When the boot selection menu comes up, press the arrow keys to select "Load Default Settings" and confirm by pressing Enter.

8. Troubleshooting

Problem	Cause	Solution
	An illegal WiFi channel is selected	Browse to the Advanced tab of the Web Interface and change the Frequency band and/or WiFi channel. After +/- 1 minute, the processes should automatically recover.
ClickShare Base Unit does not start up correctly	Configuration file is corrupted	Browse to the Configuration tab of the Web Interface and press "Load Default Settings".
		Connect a keyboard to the Base Unit. When the boot selection menu comes up, press the arrow keys to select "Load Default Settings" and confirm by pressing Enter.
	Software is corrupted	Connect a keyboard to the Base Unit. When the boot selection menu comes up, press the arrow keys to select a previous version of the software and confirm by pressing Enter. Browse to the Web Interface and update the software again to the latest version
		Contact the distributor customer support to apply the Emergency Recovery procedure.
No LAN connection with the Base Unit	Wrong IP address	IP address is not within your LAN range.
		DHCP is not enabled.
No WiFi connection with Base Unit	SSID not correct	Enter the correct SSID

A. ENVIRONMENTAL INFORMATION

A.1 Disposal information

Disposal Information

Waste Electrical and Electronic Equipment



This symbol on the product indicates that, under the European Directive 2012/19/EU governing waste from electrical and electronic equipment, this product must not be disposed of with other municipal waste. Please dispose of your waste equipment by handing it over to a designated collection point for the recycling of waste electrical and electronic equipment. To prevent possible harm to the environment or human health from uncontrolled waste disposal, please separate these items from other types of waste and recycle them responsibly to promote the sustainable reuse of material resources.

For more information about recycling of this product, please contact your local city office or your municipal waste disposal service.

For details, please visit the Barco website at: <http://www.barco.com/en/AboutBarco/weee>

Disposal of batteries in the product



This product contains batteries covered by the Directive 2006/66/EC which must be collected and disposed of separately from municipal waste.

If the battery contains more than the specified values of lead (Pb), mercury (Hg) or cadmium (Cd), these chemical symbols will appear below the crossed-out wheeled bin symbol.

By participating in separate collection of batteries, you will help to ensure proper disposal and to prevent potential negative effects on the environment and human health.

A.2 Rohs compliance

Turkey RoHS compliance



Türkiye Cumhuriyeti: AEEE Yönetmeliğine Uygundur.

[Republic of Turkey: In conformity with the WEEE Regulation]

中国大陆 RoHS – Chinese Mainland RoHS

根据中国大陆《电子信息产品污染控制管理办法》(也称为中国大陆RoHS), 以下部分列出了Barco产品中可能包含的有毒和/或有害物质的名称和含量。中国大陆RoHS指令包含在中国信息产业部MCV标准:“电子信息产品中有毒物质的限量要求”中。

According to the “China Administration on Control of Pollution Caused by Electronic Information Products” (Also called RoHS of Chinese Mainland), the table below lists the names and contents of toxic and/or hazardous substances that Barco’s product may contain. The RoHS of Chinese Mainland is included in the MCV standard of the Ministry of Information Industry of China, in the section “Limit Requirements of toxic substances in Electronic Information Products”.

零件项目(名称)	有毒有害物质或元素					
Component Name	Hazardous Substances or Elements					
	铅 (Pb)	汞 (Hg)	镉 (Cd)	六价铬 (Cr6+)	多溴联苯 (PBB)	多溴二苯醚 (PBDE)
印制电路配件 Printed Circuit Assemblies	x	0	x	0	0	0
电(线)缆 Cables	x	0	x	0	0	0

A. Environmental information

底架 Chassis	x	0	x	0	0	0
电源供应器 Power Supply Unit	x	0	x	0	0	0
文件说明书 Paper Manuals	0	0	0	0	0	0

O: 表示该有毒有害物质在该部件所有均质材料中的含量均在 SJ/T 11363-2006 标准规定的限量要求以下。

O: Indicates that this toxic or hazardous substance contained in all of the homogeneous materials for this part is below the limit requirement in SJ/T11363-2006.

X: 表示该有毒有害物质至少在该部件的某一均质材料中的含量超出 SJ/T 11363-2006 标准规定的限量要求。

X: Indicates that this toxic or hazardous substance contained in at least one of the homogeneous materials used for this part is above the limit requirement in SJ/T11363 2006.

在中国大陆销售的相应电子信息产品 (EIP) 都必须遵照中国大陆《电子信息产品污染控制标识要求》标准贴上环保使用期限 (EFUP) 标签。Barco 产品所采用的 EFUP 标签 (请参阅实例, 徽标内部的编号用于制定产品) 基于中国大陆的《电子信息产品环保使用期限通则》标准。

All Electronic Information Products (EIP) that are sold within Chinese Mainland must comply with the "Electronic Information Products Pollution Control Labeling Standard" of Chinese Mainland, marked with the Environmental Friendly Use Period (EFUP) logo. The number inside the EFUP logo that Barco uses (please refer to the photo) is based on the "Standard of Electronic Information Products Environmental Friendly Use Period" of Chinese Mainland.



Image A-1

A.3 Production address

Factory

捷普科技(上海)有限公司

上海市田林路600号

邮编: 200233

INDEX

A

- About 3, 5, 8, 11, 13
 - Base Unit 8
 - Button 11
 - ClickShare 3
 - Documentation 3
 - ClickShare product 5
 - Guide 3
 - Tray 13
- Access SSH 55
- Access web interface 56
- Address 82
- Antenna placement 23
 - Recommendations 23
- API settings 56

B

- Barco contact data 72
- Base unit 17–19, 21
 - Installation 17–19, 21
 - Ceiling mounting 19
 - Methods 17
 - Rack mounting 21
 - Table mounting 18
 - Wall mounting 18
- Base Unit 8, 23, 25–27
 - About 8
 - Audio 25
 - Connection 25
 - Display 23
 - Connection 23
 - iOS device 27
 - Connection 27
 - LAN 25
 - Connection 25
 - Power 26
 - Connection 26
- Basic Workflow 15
- Button 11, 33
 - About 11
 - Pairing 33
- Buttons 33, 62
 - Prepare 33
 - Update over WiFi 62

C

- Ceiling mounting 19
 - Base unit 19
- ClickShare Link 63
 - Calibration 63
- Configuration 67–68
 - Default settings 68
 - Manage system 67
- Configured Links 62
- Connecting 23, 25–27
 - Base Unit 23, 25–27
 - Audio 25
 - Display 23
 - iOS device 27
 - LAN 25
 - Power 26

D

- Display 47
 - Output settings 47
- Display settings 46

E

- Environment condition check 15
- Environmental information 81
 - Disposal information 81
 - Rohs compliance 81
- EULA 73

G

- Getting Started 15

H

- Help 72–73
 - Barco contact data 72
 - EULA 73
- Hostname 52

I

- Install 17
 - ClickShare 17
- Installation 17–19, 21, 23
 - Antenna placement 23
 - Recommendations 23
 - Base unit 17–19, 21
 - Ceiling mounting 19
 - Methods 17
 - Rack mounting 21
 - Table mounting 18
 - Wall mounting 18
 - ClickShare 17
- Introduction 3–4
 - Fonts 4
 - Installation Guide 3
 - symbols 4
- Introduction to the Installation Guide 3

L

- LAN network 53
 - Settings 53
- Launcher installer 35
- Launcher service 34
 - Pre-install 34
- Logging 71

M

- Maintenance 59–60, 62–64, 66
 - Buttons 60, 62
 - Update over WiFi 62
 - ClickShare Link 63
 - Calibration 63
 - Configured Links 62
 - Software 64, 66
 - Status 59
- Mobile Device 13
 - Support 13

O

- On-screen text format 49

P

- Pairing Buttons 33
- Password administrator 69
 - Change 69
- Password integrator 70

- Change 70
- Pre-install 34
 - Launcher service 34
- Product specifications 5
- Production 82

R

- Rack mounting 21
 - Base unit 21

S

- Safety 15
 - Environment condition check 15
- Setup 57
 - Integration 57
- Software 75
 - Update 75
- Software updates 75
- Specifications 5–6, 8
 - ClickShare 6
 - ClickShare Link 8
- Symbols 4

T

- Table mounting 18
 - Base unit 18
- Tray 13
 - About 13
- Troubleshooting 77
- Troubleshooting list 77

U

- Update 75
 - Software 75

W

- Wall mounting 18
 - Base unit 18

- Web interface 38–40, 42, 44, 46–47, 49, 51–57, 59–60, 62–64, 66–73
 - Access SSH 55
 - Access web interface 56
 - API settings 56
 - Audio settings 51
 - Background 42, 44
 - Personalized 44
 - Selection 42
 - Basic settings 40
 - Configuration 67–68
 - Default settings 68
 - Manage system 67
 - Display 47
 - Output settings 47
 - Display settings 46
 - Help 72–73
 - Barco contact data 72
 - EULA 73
 - Hostname 52
 - LAN network 53
 - Settings 53
 - Language setup 38
 - Logging 71
 - Maintenance 59–60, 62–64, 66
 - Buttons 60
 - Configured Links 62–63
 - Software 64, 66
 - Status 59
 - On-screen text format 49
 - Password 70
 - Change 70
 - Password administrator 69
 - Change 69
 - Setup 57
 - Integration 57
 - Tabs 39
 - Wallpaper 42, 44
 - Personalized 44
 - Selection 42
 - WiFi settings 54
- Web Interface 37
 - Access 37
- WiFi settings 54

Free Manuals Download Website

<http://myh66.com>

<http://usermanuals.us>

<http://www.somanuals.com>

<http://www.4manuals.cc>

<http://www.manual-lib.com>

<http://www.404manual.com>

<http://www.luxmanual.com>

<http://aubethermostatmanual.com>

Golf course search by state

<http://golfingnear.com>

Email search by domain

<http://emailbydomain.com>

Auto manuals search

<http://auto.somanuals.com>

TV manuals search

<http://tv.somanuals.com>