



# THE WALL-MOUNT™ STEP CAPACITY AIR CONDITIONERS

Integrated Part Load Value (IPLV) Efficiency Up To 15.2 BTU/WATT

**WA3S – WA5S Right Side Control Panel**  
**WL3S – WL5S Left Side Control Panel**  
**3 to 5 Ton (35,400 to 56,500 Btuh) 60Hz**

**GREEN REFRIGERANT**  
**R-410A**



The Bard W/L "S" Series is the world's most energy efficient wall mounted air conditioner featuring a multi-step capacity compressor with environmentally friendly non-ozone depleting refrigerant.

The Bard Wall-Mount Air Conditioner is a self contained energy efficient system, which is designed to offer maximum indoor comfort at a minimal cost without using valuable indoor floor space or outside ground space. This unit is the ideal product for versatile applications such as: new construction, modular offices, school modernization, telecommunication structures, portable structures or correctional facilities. Factory or field installed accessories are available to meet specific job requirements.

## Engineered Features

### Multi-Capacity Two-Stage:

Simple thermostatic control seamlessly stages the compressor and indoor airflow rate between high and low capacity operations without cycling the compressor. This helps to maximize comfort, humidity control, energy efficiency and overall reduction in compressor cycling for improved system life.

### Multi-Step Capacity Compressor:

Copeland step-capacity scroll compressors are designed for increased efficiency, quieter operation and improved reliability for longer life.

### R-410A Refrigerant:

Designed with R-410A (HFC) non-ozone depleting refrigerant in compliance with the Montreal protocol and 2010 EPA requirements.

### ECM Indoor Blower Motor:

Features a variable speed motor providing super-high efficiency, low sound levels and soft-start capabilities. The motor is self-adjusting to provide the proper airflow rate for the staged capacity, and for higher static pressure in ducted installations without user adjustment or wiring changes.

### Aluminum Finned Copper Coils:

Grooved tubing and enhanced louvered fin for maximum heat transfer and energy efficiency.

### Twin Blowers:

Move air quietly. All models feature variable speed blower motors providing automatic airflow adjustment for high static or free blow (non-ducted) operation at a very low sound level. Motor overload protection is standard on all models.

### Foil Faced Insulation:

Standard on all units.

### Start Kit:

A PTCR compressor start assist (Positive Temperature Coefficient Resistor) is standard on all -A single-phase models to increase system reliability. This helps to insure compressor starts at adverse conditions by increasing the compressor starting torque.

### Compressor Control Module:

Built-in off-delay timer adjustable from 30 seconds to 5 minutes. 2-minute on-delay if power interrupt. 120-second bypass for low pressure control, and both soft and manual lockouts for high and low pressure controls. Alarm output for alarm relay.

### Liquid Line Filter Drier:

Standard on all units. Protects system against moisture.

### High & Low Pressure Switches are Auto-Reset:

Standard on all units. Built-in lock-out circuit resets from the room thermostat. Provides commercial quality protection to the compressor.

### Crankcase Heaters:

Factory installed crankcase heaters are standard on all models. This helps to insure ease of start at low temperatures and improves compressor life.

### Phase Rotation Monitor:

Standard on all 3 phase scroll compressors. Protects against reverse rotation if power supply is not properly connected.

### Galvanized 20 Gauge Zinc Coated Steel Cabinet:

Cleaned, rinsed and dried before the polyurethane primer is applied. The cabinet is handsomely finished with a baked on textured enamel, which allows it to withstand 1000 hours of salt spray tests per ASTM B117-03.

### Galvanized 16 Gauge Zinc Coated Unit Base:

The unit base is treated with the same paint coatings as the cabinet above, insuring years of service without visible corrosion.

### Drain Pan:

The evaporator drain pan is constructed of stainless steel material for maximum corrosion resistance.

### Electrical Components:

Are easily accessible for routine inspection and maintenance through a right side, service panel opening. Features a lockable, hinged access cover to the circuit breaker or toggle disconnect switch.

### Electric Heat Strips:

Features line break automatic limit and dual backup safety controls. Heater packages can be factory or field installed for all models.

### Filter Service Door:

Separate service door provides easy access for filter change.

### Two-Inch, Pleated Disposable Air Filters:

Are standard equipment.

### Condenser Fan and Motor Shroud Assembly:

Slides out for easy access.

### Circuit Breakers/Rotary Disconnect:

Standard on all versions of single (230/208 volt) and three phase (230/208 volt) equipment. Rotary disconnects are standard on all versions of three phase (460 volt) equipment.

### Slope Top:

Standard feature for water run-off.

### Full Length Mounting Brackets:

Built into cabinet for improved appearance and easy installation. NOTE: Bottom mounting bracket included to assist in installation.

### Top Rain Flashing:

Standard feature on all models.



- Complies with efficiency requirements of ANSI/ASHRAE/IESNA 90.1-2010.
- Certified to ANSI/ARI Standard 390-2003 for SPVU (Single Package Vertical Units).
- Intertek ETL Listed to Standard for Safety Heating and Cooling Equipment ANSI/UL 1995/CSA 22.2 No. 236-05, Fourth Edition.
- Commercial Product - Not intended for Residential application.

## Capacity and Efficiency Ratings <sup>①</sup>

MODELS	WA3S3 WL3S2	WA4S3 WL4S2	WA5S3 WL5S2
Cooling Capacity BTUH, 2nd Stage Operation	35,400	46,000	56,500
EER 2nd Stage Operation <sup>①②</sup>	11.1	11.2	10.1
Rated CFM (Wet Coil)	1100	1500	1700
Cooling Capacity BTUH, 1st Stage Operation	24,000	34,000	40,000
EER 1st Stage Operation <sup>②</sup>	11.7	11.6	10.8
Rated CFM (Wet Coil)	800	1100	1300
IPLV <sup>③</sup>	15.1	15.2	14.3

① Certified in accordance with ANSI/ARI Standard 390-2003 for single package vertical units.

② EER = Energy Efficiency Ratio - BTU/WATT efficiency.

③ Integrated Part Load Value - BTU/WATT efficiency and certified in accordance with ANSI/ARI Standard 390-2003.

All capacity, efficiency and cost of operation information is based on operation with fresh air cover plate. Cover plate is recommended for use to obtain maximum energy efficiency where ventilation air is not required.

## Indoor Blower Performance - CFM (0.00" through 0.80" H<sub>2</sub>O) <sup>①</sup>

	Blower Only	1st Stage Cooling	2nd Stage Cooling	5-10 KW Electric Heat	15-20 KW Electric Heat
WA3S3 WL3S2	800	800	1100	1100	1400
WA4S3 WL4S2	825	1100	1500	1100	1500
WA5S3 WL5S2	850	1300	1700	1100	1500

① These systems contain Variable Speed ECM Motor, which maintains airflow across static range at dry and wet coil conditions.

## Specifications 3 Ton through 5 Ton

MODELS	WA3S3-A WL3S2-A	WA3S3-B WL3S2-B	WA3S3-C WL3S2-C	WA4S3-A WL4S2-A	WA4S3-B WL4S2-B	WA4S3-C WL4S2-C	WA5S3-A WL5S2-A	WA5S3-B WL5S2-B	WA5S3-C WL5S2-C
Cooling Capacity	35,400	35,400	35,400	46,000	46,000	46,000	56,500	56,500	56,500
Heating Capacity	See Electric Heat Table								
<b>Electrical Rating—60 Hz</b>	230/208-1	230/208-3	460-3	230/208-1	230/208-3	460-3	230/208-1	230/208-3	460-3
Operating Voltage Range	197-253	197-253	414-506	197-253	197-253	414-506	197-253	197-253	414-506
<b>Compressor—Circuit A</b>									
Voltage	230/208	230/208	460	230/208	230/208	460	230/208	230/208	460
Rated Load Amps	12.3/14.6	6.7/7.9	3.6	16.1/19.1	10.1/12	4.8	21.9/26.6	15.5/18.9	7.8
Branch Circuit Selection Current	16.7	11.6	5.7	21.2	14.0	6.5	27.1	18.9	9.0
Lock Rotor Amps	83	73	38	104	83.1	41	153	110	52
Compressor Type	Scroll	Scroll	Scroll	Scroll	Scroll	Scroll	Scroll	Scroll	Scroll
<b>Fan Motor &amp; Condenser</b>									
Fan Motor—HP-RPM-SPD	1/3-825-2	1/3-825-2	1/3-825-2	1/3-825-2	1/3-825-2	1/3-825-2	1/3-825-2	1/3-825-2	1/3-825-2
Fan Motor—Amps	2.5	2.5	1.3	2.5	2.5	1.3	2.5	2.5	1.3
Fan—DIA/CFM	24" - 2700	24" - 2700	24" - 2700	24" - 2800	24" - 2800	24" - 2800	24" - 2800	24" - 2800	24" - 2800
<b>Blower Motor &amp; Evap.</b>									
Blower Motor—HP-RPM-SPD	1/2- Variable	1/2- Variable	1/2- Variable	3/4-Variable	3/4-Variable	3/4-Variable	3/4-Variable	3/4-Variable	3/4-Variable
Blower Motor—Amps	5.3	5.3	5.3	6.8	6.8	6.8	6.8	6.8	6.8
CFM Cooling w/Filter (Wet Coil)	1100	1100	1100	1500	1500	1500	1700	1700	1700
Filter Sizes (inches) -STD.	20x30x2	20x30x2	20x30x2	20x30x2	20x30x2	20x30x2	20x30x2	20x30x2	20x30x2
<b>Shipping Weight —LBS.</b>	530	530	530	530	530	530	530	530	530

## Ventilation System Packages

Bard Wall-Mounts are designed to provide optional ventilation packages to meet all of your ventilation and indoor air quality requirements. All units are equipped with a blank off plate as the standard ventilation package. All ventilation packages can be built-in at the factory, or field-installed at a later date.

### BLANK OFF PLATE - BOP

A blank off plate is installed on the inside of the service door. It covers the air inlet openings which restricts any outside air from entering the unit. The blank off plate should be utilized in applications where outside air is not required to be mixed with the conditioned air.

**STANDARD**



Motorized Fresh Air Damper

### MOTORIZED FRESH AIR DAMPER - MFAD

The motorized fresh air damper is internally mounted behind the service door and allows outside ventilation air, up to 25% of the total airflow rating of the unit, to be introduced through the air inlet openings and to be mixed with the conditioned air. The two position damper can be fully open or closed. The damper blade is powered open by a 24VAC motor with spring return on power loss. The damper can be controlled by indoor blower operation or can be field connected to be managed based on building occupancy.

**OPTIONAL**

**NOTE:** This vent system is intake only without built-in exhaust capability. Building will likely require separate field installed barometric relief or mechanical exhaust elsewhere within the conditioned space. Other building systems will govern actual amount of intake air.



COMMERCIAL ROOM VENTILATOR

### COMMERCIAL ROOM VENTILATOR - CRVMP

The built-in commercial room ventilator is internally mounted behind the service door and allows outside ventilation air, up to 50% of the total airflow rating of the unit, to be introduced through the air inlet openings. It includes a built-in exhaust air damper with integral bug screen. Automatic control is integrated to maintain desired ventilation air at the various supply airflows.

**OPTIONAL**

The commercial room ventilator (CRV) is a simple and innovative approach to improving the indoor air quality by providing fresh air intake and exhaust capability through the CRV. The damper can be easily adjusted to control the amount of fresh air supplied into the building. The CRV can be controlled by indoor blower operation or field controlled based on room occupancy. The CRV is power open - spring return on power loss. Complies with ANSI/ASHRAE Standard 62.1 "Ventilation for Acceptable Indoor Air Quality."



Economizer

### ECONOMIZER - ECONWM-Series

The built-in economizer system is internally mounted behind the service door and allows outdoor air to be introduced through the air inlet openings. The amount of outdoor air varies in response to the system controls and settings defined by the end user. It includes a built-in exhaust air damper. The economizer is designed to provide "free cooling" when outside air conditions are cool and dry enough to satisfy cooling requirements without running the compressor. This in turn provides lower operating costs, while extending the life of the compressor.

**OPTIONAL**

- ECONWMT Equipment Building versions have extended air intake hood to deliver up to 100% of cooling rated airflow.
  - ❖ 16" for ECONWMT-E2 or T2, and E3 or T3
  - ❖ 18" for ECONWMT-E5 or T5
- ECONWMS Classroom versions have 3" air intake hood to deliver up to 75% of cooling rated airflow.

#### Standard Features:

- Fully modulating
- Honeywell Direct Drive Hi-Torque Actuator
- No linkage required
- Simple single blade design
- Positive shut-off with non-stick gaskets
- Electronic DB and/or Enthalpy sensors depending upon version
- Honeywell JADE electronic economizer module with precision settings and diagnostics
- DB or Enthalpy economizer versions available



ENERGY RECOVERY VENTILATOR

### WALL-MOUNT ENERGY RECOVERY VENTILATOR - ERV

The wall-mount energy recovery ventilator (ERV) is a highly innovative approach to meeting indoor air quality ventilation requirements as established by ANSI/ASHRAE Standard 62.1. The ERV allows from 200 to 450 CFM (depending upon model) of fresh air and exhaust through the unit while maintaining superior indoor comfort and humidity levels. In most cases this can be accomplished without increasing equipment sizing or operating costs. Heat transfer efficiency is up to 67% during summer and 75% during winter conditions.

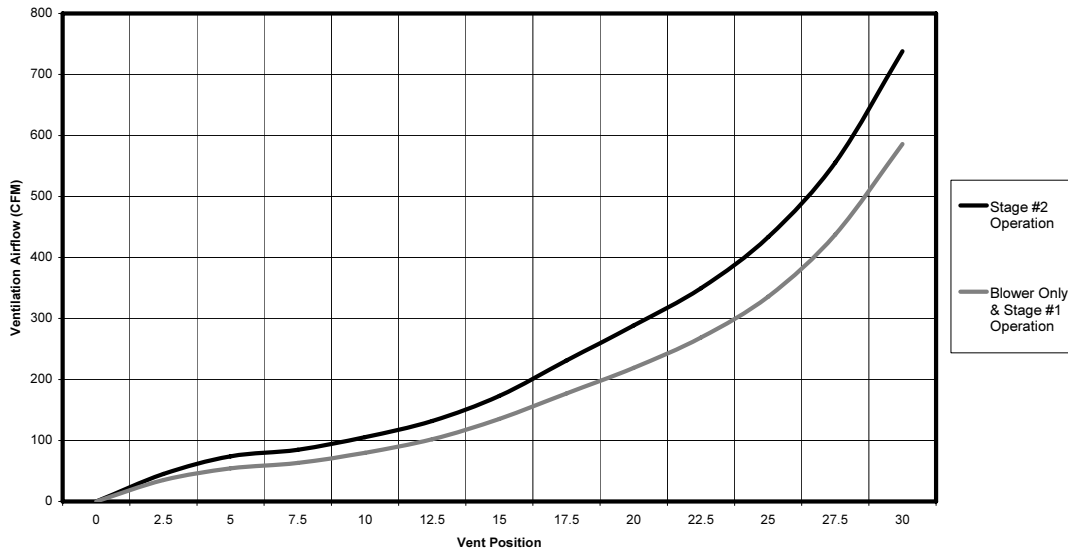
**OPTIONAL**

The ERV consists of a unique "rotary energy recovery cassette" that provides effective sensible and latent heat transfer capabilities during summer and winter conditions. Various control schemes are addressed including limiting ventilation during building occupancy only.

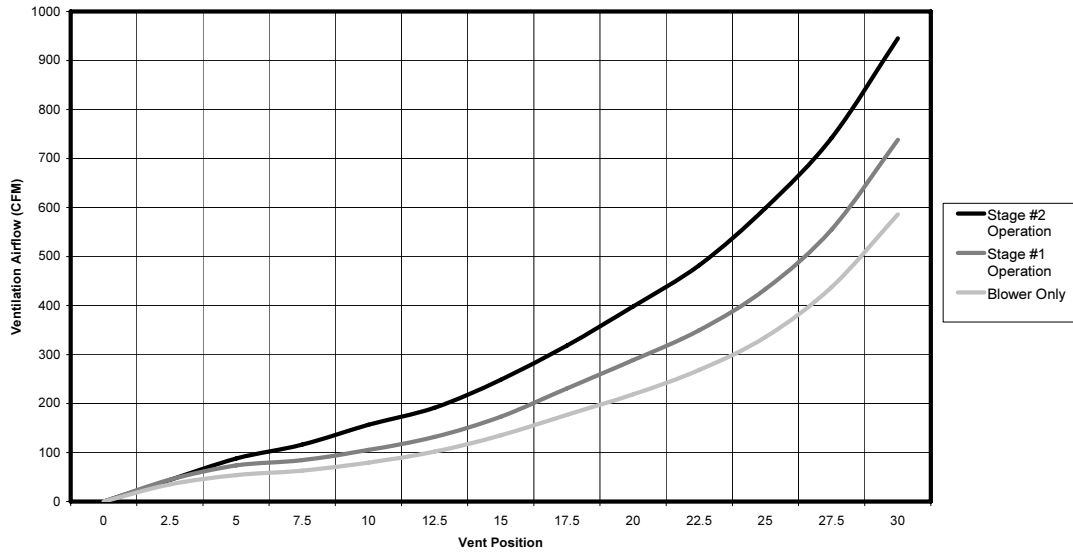
The ERV is designed to be internally mounted behind the service door in the WA/LS model wall-mount units. It can be built-in at the factory or field installed as an option. ERVF-\*5 can be independently adjusted for intake and exhaust rates.

Manufactured under U.S. Patent Nos. 5,485,878; 5,301,744.

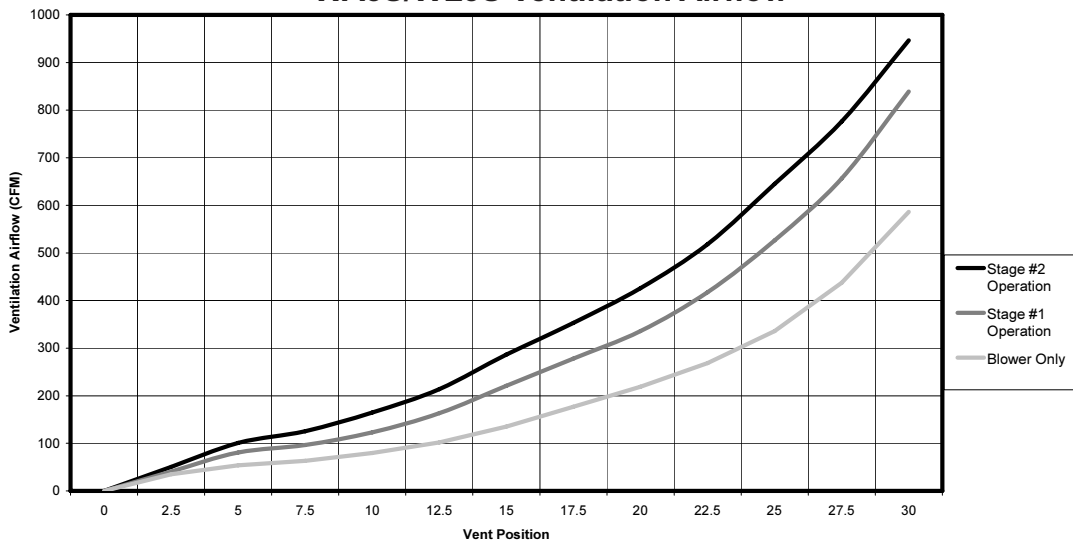
### CRVMP-5 WA3S/WL3S Ventilation Airflow



### CRVMP-5 WA4S/WL4S Ventilation Airflow



### CRVMP-5 WA5S/WL5S Ventilation Airflow



# Performance and Application Data- WERV-\*5

## SUMMER COOLING PERFORMANCE (INDOOR DESIGN CONDITIONS 75°DB/62°WB)

Ambient O.D.	VENTILATION RATE 450 CFM						VENTILATION RATE 375 CFM						VENTILATION RATE 300 CFM							
	DB/ WB	F	VLT	VLS	VLL	HRT	HRS	HRL	VLT	VLS	VLL	HRT	HRS	HRL	VLT	VLS	VLL	HRT	HRS	HRL
105	75		21465	14580	6884	13952	9477	4475	17887	12150	5737	11805	8018	3786	14310	9720	4590	9587	6512	3075
	70		14580	14580	0	9477	9477	0	12150	12150	0	8018	8018	0	9720	9720	0	6512	6512	0
	65		14580	14580	0	9477	9477	0	12150	12150	0	8018	8018	0	9720	9720	0	6512	6512	0
100	80		31590	12150	19440	20533	7897	12635	26325	10125	16200	17374	6682	10692	21060	8100	12960	14110	5427	8683
	75		21465	12150	9314	13952	7897	6054	17887	10125	7762	11805	6682	5123	14310	8100	6210	9587	5427	4160
	70		12352	12150	202	8029	7897	131	10293	10125	168	6793	6682	111	8235	8100	135	5517	5427	90
	65		12150	12150	0	7897	7897	0	10125	10125	0	6682	6682	0	8100	8100	0	5427	5427	0
	60		12150	12150	0	7897	7897	0	10125	10125	0	6682	6682	0	8100	8100	0	5427	5427	0
95	80		31590	9720	21870	20533	6318	14215	26325	8100	18225	17374	5345	12028	21060	6480	14580	14110	4341	9768
	75		21465	9720	11744	13952	6318	7634	17887	8100	9787	11805	5345	6459	14310	6480	7830	9587	4341	5246
	70		12352	9720	2632	8029	6318	1711	10293	8100	2193	6793	5345	1447	8235	6480	1755	5517	4341	1175
	65		9720	9720	0	6318	6318	0	8100	8100	0	5345	5345	0	6480	6480	0	4341	4341	0
	60		9720	9720	0	6318	6318	0	8100	8100	0	5345	5345	0	6480	6480	0	4341	4341	0
90	80		31590	7290	24300	20533	4738	15794	26325	6075	20250	17374	4009	13365	21060	4860	16200	14110	3256	10854
	75		21465	7290	14175	13952	4738	9213	17887	6075	11812	11805	4009	7796	14310	4860	9450	9587	3256	6331
	70		12352	7290	5062	8029	4738	3290	10293	6075	4218	6793	4009	2784	8235	4860	3375	5517	3256	2261
	65		7290	7290	0	4738	4738	0	6075	6075	0	4009	4009	0	4860	4860	0	3256	3256	0
	60		7290	7290	0	4738	4738	0	6075	6075	0	4009	4009	0	4860	4860	0	3256	3256	0
85	80		31590	4860	26730	20533	3159	17374	26325	4050	22275	17374	2672	14701	21060	3240	17820	14110	2170	11939
	75		21465	4860	16605	13952	3159	10793	17887	4050	13837	11805	2672	9132	14310	3240	11070	9587	2170	7416
	70		12352	4860	7492	8029	3159	4870	10293	4050	6243	6793	2672	4120	8235	3240	4995	5517	2170	3346
	65		4860	4860	0	3159	3159	0	4050	4050	0	2672	2672	0	3240	3240	0	2170	2170	0
	60		4860	4860	0	3159	3159	0	4050	4050	0	2672	2672	0	3240	3240	0	2170	2170	0
80	75		21465	2430	19035	13952	1579	12372	17887	2025	15862	11805	1336	10469	14310	1620	12690	9587	1085	8502
	70		12352	2430	9922	8029	1579	6449	10293	2025	8268	6793	1336	5457	8235	1620	6615	5517	1085	4432
	65		4252	2430	1822	2764	1579	1184	3543	2025	1518	2338	1336	1002	2835	1620	1215	1899	1085	814
	60		2430	2430	0	1579	1579	0	2025	2025	0	1336	1336	0	1620	1620	0	1085	1085	0
75	70		12352	0	12352	8029	0	8029	10293	0	10293	6793	0	6793	8235	0	8235	5517	0	5517
	65		4252	0	4252	2764	0	2764	3543	0	3543	2338	0	2338	2835	0	2835	1899	0	1899
	60		0	0	0	0	0	0	0	0	0	0	0	0	0	0	0	0	0	0

## WERV-\*5 WINTER HEATING PERFORMANCE (INDOOR DESIGN CONDITIONS 70°F DB)

Ambient O.D.	VENTILATION RATE					
	450 CFM		375 CFM		300 CFM	
DB/°F	WVL	WHR	WVL	WHR	WVL	WHR
65	2430	1944	2025	1640	1620	1328
60	4860	3888	4050	3280	3240	2656
55	7290	5832	6075	4920	4860	3985
50	9720	7776	8100	6561	6480	5313
45	12150	9720	10125	8201	8100	6642
40	14580	11664	12150	9841	9720	7970
35	17010	13608	14175	11481	11340	9298
30	19440	15552	16200	13122	12960	10627
25	21870	17496	18225	14762	14580	11955
20	24300	19440	20250	16402	16200	13284
15	26730	21384	22275	18042	17820	14612

LEGEND:

- VLT = Ventilation Load - Total
- VLS = Ventilation Load - Sensible
- VLL = Ventilation Load - Latent
- HRT = Heat Recovery - Total
- HRS = Heat Recovery - Sensible
- HRL = Heat Recovery - Latent
- WVL = Winter Ventilation Load
- WHR = Winter Heat Recovery

NOTE: Sensible performance only is shown for winter application.

# Electrical Specifications

Model	Rated Volts and Phase	No. Field Power Circuits	Single Circuit			Multiple Circuit											
			③ Minimum Circuit Ampacity	① Maximum External Fuse or Ckt. Brkr.	② Field Power Wire Size	② Ground Wire	③ Minimum Circuit Ampacity	① Maximum External Fuse or Ckt. Brkr.	③ Field Power Wire Size	② Ground Wire	③ Minimum Circuit Ampacity	① Maximum External Fuse or Ckt. Brkr.	③ Field Power Wire Size	② Ground Wire			
			Ckt. A	Ckt. B	Ckt. C	Ckt. A	Ckt. B	Ckt. C	Ckt. A	Ckt. B	Ckt. C	Ckt. A	Ckt. B	Ckt. C	Ckt. A	Ckt. B	Ckt. C
-A0Z		1	31	45	8	10											
-A05		1	35	45	8	10											
WA3S3 -A08	230/208-1	1	51	60	6	10									10		
WL3S2 -A10		1 or 2	61	70	6	8									10		
-A15		1 or 2	87	90	3	8									10		
-A20		1 or 3	113	115	2	6		26							10		10
-B0Z		1	25	30	10	10											
WA3S3 -B06	230/208-3	1	27	30	10	10											
WL3S2 -B09		1	36	40	8	10											
-B15		1	55	60	6	10											
-C0Z		1	13	15	14	14											
WA3S3 -C06	460-3	1	13.5	15	14	14											
WL3S2 -C09		1	19	20	12	12											
-C15		1	28	30	10	10											
-A0Z		1	38	45	8	10											
-A05		1	38	45	8	10											
WA4S3 -A08	230/208-1	1	53	60	6	10									10		
WL4S2 -A10		1 or 2	63	70	6	8									10		
-A15		1 or 2	89	90	3	8									10		
-A20		1 or 3	115	120	2	6		26							10		10
-B0Z		1	29	40	10	10											
WA4S3 -B06	230/208-3	1	29	40	10	10											
WL4S2 -B09		1	38	40	8	10											
-B15		1	56	60	6	10											
-C0Z		1	15	20	12	12											
WA4S3 -C06	460-3	1	16	20	12	12											
WL4S2 -C09		1	21	25	10	10											
-C15		1	30	30	10	10											
-A0Z		1	46	50	8	10											
-A05		1	46	50	8	10											
WA5S3 -A08	230/208-1	1	53	60	6	10									10		
WL5S2 -A10		1 or 2	63	70	6	8									10		
-A15		1 or 2	89	90	3	8									10		
-A20		1 or 3	115	120	2	6		26							10		10
-B0Z		1	34	40	8	10											
WA5S3 -B06	230/208-3	1	34	40	8	10											
WL5S2 -B09		1	38	40	8	10											
-B15		1	56	60	6	10											
-C0Z		1	17	25	10	10											
WA5S3 -C06	460-3	1	17	25	10	10											
WL5S2 -C09		1	21	25	10	10											
-C15		1	30	30	10	10											

① Maximum size of the time delay fuse or HACR type circuit breaker for protection of field wiring conductors.

② Based on 75C copper wire. All wiring must conform to the National Electrical Code and all local codes.

③ These "Minimum Circuit Ampacity" values are to be used for sizing the field power conductors. Refer to the National Electrical code (latest version), Article 310 for power conductor sizing.

**Caution:** When more than one field power circuit is run through one conduit, the conductors must be derated. Pay special attention to note 8 of Table 310 regarding Ampacity Adjustment Factors when more than three (3) current carrying conductors are in a raceway.

\* Top outlet supply option is available only factory installed and only on the selected models.

**IMPORTANT:** While this electrical data is presented as a guide, it is important to electrically connect properly sized fuses and conductor wires in accordance with the National Electrical Code and all local codes.

## Electric Heat Table

Nominal KW	At 240V (1)				At 208V (1)				At 480V (2)			At 460V (2)		
	Kw	1-Ph Amps	3-Ph Amps	Btuh	Kw	1-Ph Amps	3-Ph Amps	Btuh	Kw	3-Ph Amps	Btuh	Kw	3-Ph Amps	Btuh
5.0	5.0	20.8		17,065	3.75	18.0		12,799						
6.0	6.0		14.4	20,478	4.50		12.5	15,359	6.0	7.2	20,478	5.52	6.9	18,840
8.0	8.0	33.3		27,304	6.00	28.8		20,478						
9.0	9.0		21.7	30,717	6.75		18.7	23,038	9.0	10.8	30,717	8.28	10.4	28,260
10.0	10.0	41.7		34,130	7.50	36.1		25,598						
15.0	15.0	62.5	36.1	51,195	11.25	54.1	31.2	38,396	15.0	18.0	51,195	13.80	17.3	47,099
20.0	20.0	83.3		68,260	15.00	72.1		51,195						

(1) These electric heaters are available in 230/208V units only.

(2) These electric heaters are available in 480V units only.

## Heater Packages - Field Installed WA3, WA4 & WA5S

- Designed for adding Electric Heat to 0 KW Units
- Circuit Breaker Standard on 230/208V Models
- ETL – US & Canada Listed
- Rotary Disconnect Standard on 460V Models

Air Conditioner Models	-A00 Models 230/208-1		-B00 Models 230/208-3		-C00 Models 460-3	
	Heater Model #	KW	Heater Model #	KW	Heater Model #	KW
WA3S3	EHWA4S-A05	5	EHWA3S-B06 EHWA5S-B09 EHWA5S-B15	6 9 15	EHWA5S-C06 EHWA5S-C09 EHWA5S-C15	6 9 15
	EHWA5S-A08	8				
	EHWA4S-A10	10				
	EHWA4S-A15	15				
	EHWA4S-A20	20				
WA4S3	EHWA4S-A05	5	EHWA5S-B06 EHWA5S-B09 EHWA5S-B15	6 9 15	EHWA5S-C06 EHWA5S-C09 EHWA5S-C15	6 9 15
	EHWA5S-A08	8				
	EHWA4S-A10	10				
	EHWA4S-A15	15				
	EHWA4S-A20	20				
WA5S3	EHWA5S-A05	5	EHWA5S-B06 EHWA5S-B09 EHWA5S-B15	6 9 15	EHWA5S-C06 EHWA5S-C09 EHWA5S-C15	6 9 15
	EHWA5S-A08	8				
	EHWA5S-A10	10				
	EHWA5S-A15	15				
	EHWA5S-A20	20				

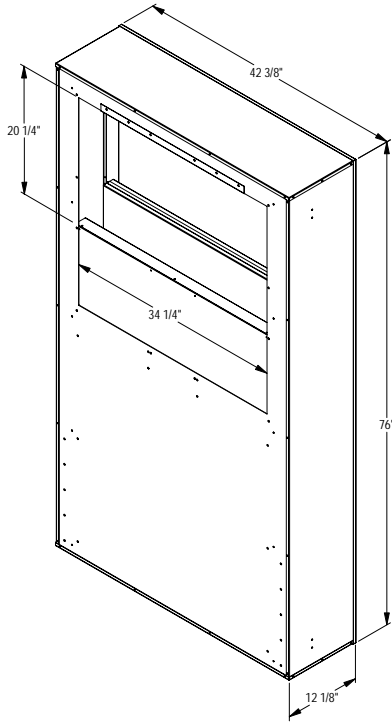
## Heater Packages - Field Installed WL3, WL4 & WL5S

- Designed for adding Electric Heat to 0 KW Units
- Circuit Breaker Standard on 230/208V Models
- ETL – US & Canada Listed
- Rotary Disconnect Standard on 460V Models

Air Conditioner Models	-A00 Models 230/208-1		-B00 Models 230/208-3		-C00 Models 460-3	
	Heater Model #	KW	Heater Model #	KW	Heater Model #	KW
WL3S2	EHWA4S-A05L	5	EHWA3S-B06L EHWA5S-B09L EHWA5S-B15L	6 9 15	EHWA5S-C06L EHWA5S-C09L EHWA5S-C15L	6 9 15
	EHWA5S-A08L	8				
	EHWA4S-A10L	10				
	EHWA4S-A15L	15				
	EHWA4S-A20L	20				
WL4S2	EHWA4S-A05L	5	EHWA5S-B06L EHWA5S-B09L EHWA5S-B15L	6 9 15	EHWA5S-C06L EHWA5S-C09L EHWA5S-C15L	6 9 15
	EHWA5S-A08L	8				
	EHWA4S-A10L	10				
	EHWA4S-A15L	15				
	EHWA4S-A20L	20				
WL5S2	EHWA5S-A05L	5	EHWA5S-B06L EHWA5S-B09L EHWA5S-B15L	6 9 15	EHWA5S-C06L EHWA5S-C09L EHWA5S-C15L	6 9 15
	EHWA5S-A08L	8				
	EHWA5S-A10L	10				
	EHWA5S-A15L	15				
	EHWA5S-A20L	20				

### Return Air Acoustical Plenum

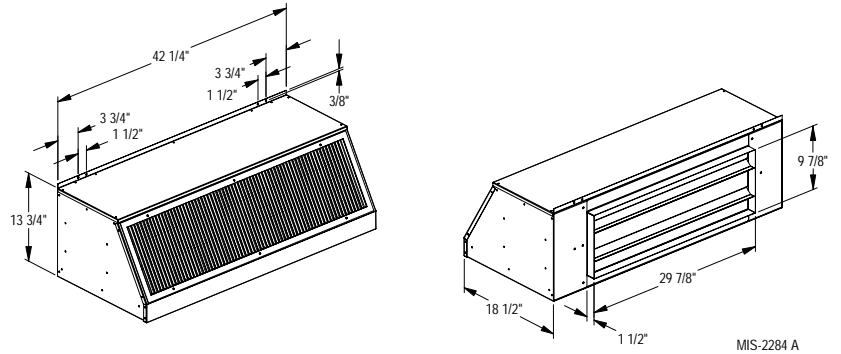
WAPR11



MIS-2208 A

### Free Blow Acoustical Plenum

WAPFB51



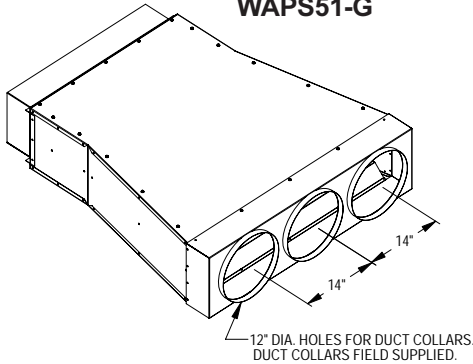
MIS-2284 A

### Optional Installation Accessories

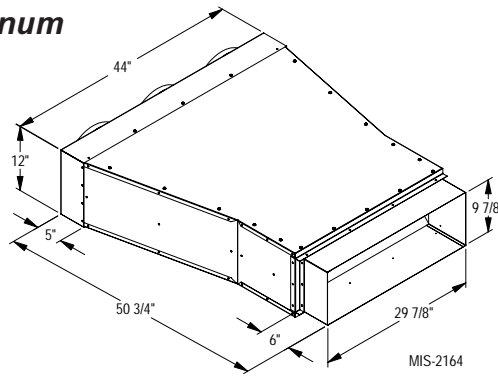
Description	Model	Color	Shipping Weight (Lbs)
Return Air Acoustical Plenum	WAPR11-X WAPR11-4	Beige Buckeye Gray	218
Ducted Supply Air Acoustical Plenum	WAPS51-G	Galvanized	190
Free Blow Supply Air Acoustical Plenum	WAPFB51-X WAPFB51-4	Beige Buckeye Gray	64

### Supply Air Acoustical Plenum

WAPS51-G

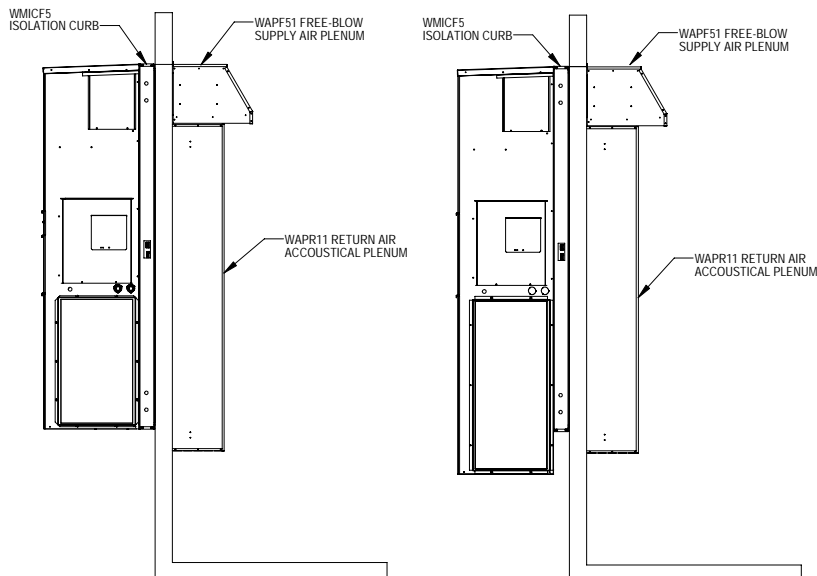


12" DIA. HOLES FOR DUCT COLLARS.  
DUCT COLLARS FIELD SUPPLIED.



MIS-2164

Typical installation with isolation curb, free blow, supply air acoustical plenum & return air acoustical plenum.



**Patent Pending**

MIS-2604



# Typical Sound Performance with Installation/Isolation Curbs & Acoustical Plenums

## WA/L3S Sound Data Matrix (dBA @ 10 feet)

Unit Mounting	Free Blow Configuration		Ducted Supply Configuration			
	Direct	WMICF-5 Isolation Curb	Direct	Direct	WMICF-5 Isolation Curb	WMICF-5 Isolation Curb
Supply Air Treatment	Grille	WAPFB51 Free Blow Supply Air Plenum	Standard Supply Duct	Standard Supply Duct	Standard Supply Duct	WAPSS1-G Supply Air Silencer
Return Air Treatment	Grille	WAPR11-X Return Air Silencer	Grille	WAPR11-X Return Air Silencer		WAPR11-X Return Air Silencer
Blower Only Operation with CRV	37.8	30.7	33.6	33.6	27.4	27.6
Compressor Stage 1 Operation with CRV	51.8	40.7	49.9	41.7	39.7	38.7
Compressor Stage 2 Operation	52.3	41.4	50.8	42.4	40.8	39.9
Compressor Stage 2 with ERV High Speed Operation	52.7	41.7	51.7	—	—	42.9
Indoor Integrated dBA	43.8	35.0	40.7	37.2	32.8	32.6
Compressor Stage 2 Outdoor Sound Level	66.9	66.9	66.9	66.9	66.9	66.9

Note 1: dBA is sound pressure measured 10 feet in front of unit and 5 feet above floor.

Note 2: Unit or isolation curb is mounted to frame construction.

Note 3: Results may vary depending upon other factors such as room size, type of construction and acoustical variances.

## WA/L4S Sound Data Matrix (dBA @ 10 feet)

Unit Mounting	Free Blow Configuration		Ducted Supply Configuration			
	Direct	WMICF-5 Isolation Curb	Direct	Direct	WMICF-5 Isolation Curb	WMICF-5 Isolation Curb
Supply Air Treatment	Grille	WAPFB51 Free Blow Supply Air Plenum	Standard Supply Duct	Standard Supply Duct	Standard Supply Duct	WAPSS1-G Supply Air Silencer
Return Air Treatment	Grille	WAPR11-X Return Air Silencer	Grille	WAPR11-X Return Air Silencer		WAPR11-X Return Air Silencer
Blower Only Operation	40.1	38.9	38.4	34.5	32.8	28.2
Compressor Stage 1 Operation	52.0	41.4	50.9	41.2	40.5	39.0
Compressor Stage 2 Operation	53.7	44.0	52.9	44.3	42.0	40.5
Compressor Stage 2 with ERV High Speed Operation	55.0	46.2	54.0	—	—	44.8
Indoor Integrated dBA	45.4	40.4	44.0	37.8	35.8	33.0
Compressor Stage 2 Outdoor Sound Level	65.0	65.0	65.0	65.0	65.0	65.0

Note 1: dBA is sound pressure measured 10 feet in front of unit and 5 feet above floor.

Note 2: Unit or isolation curb is mounted to frame construction.

Note 3: Results may vary depending upon other factors such as room size, type of construction and acoustical variances.

## WA/L5S Sound Data Matrix (dBA @ 10 feet)

Unit Mounting	Free Blow Configuration		Ducted Supply Configuration			
	Direct	WMICF-5 Isolation Curb	Direct	Direct	WMICF-5 Isolation Curb	WMICF-5 Isolation Curb
Supply Air Treatment	Grille	WAPFB51 Free Blow Supply Air Plenum	Standard Supply Duct	Standard Supply Duct	Standard Supply Duct	WAPSS1-G Supply Air Silencer
Return Air Treatment	Grille	WAPR11-X Return Air Silencer	Grille	WAPR11-X Return Air Silencer		WAPR11-X Return Air Silencer
Blower Only Operation	40.3	33.3	35.1	34.8	33.5	31.1
Compressor Stage 1 Operation	52.6	40.8	50.6	43.6	40.9	39.9
Compressor Stage 2 Operation	56.7	45.3	51.6	46.8	44.5	43.2
Compressor Stage 2 with ERV High Speed Operation	57.8	47.1	55.0	—	—	45.4
Indoor Integrated dBA	46.2	37.2	41.8	39.0	37.2	35.4
Compressor Stage 2 Outdoor Sound Level	65.4	65.4	65.4	65.4	65.4	65.4

Note 1: dBA is sound pressure measured 10 feet in front of unit and 5 feet above floor.

Note 2: Unit or isolation curb is mounted to frame construction.

Note 3: Results may vary depending upon other factors such as room size, type of construction and acoustical variances.

## 2nd Stage Cooling Application Data - Outdoor Temperature ①

Model	D.B./W.B. ②	Cooling Capacity BTU/HR	50°F	55°F	60°F	65°F	70°F	75°F	80°F	85°F	90°F	95°F	100°F	105°F	110°F	115°F
WA3S3 WL3S2	75/62	Total Cooling	44,125	42,850	41,600	40,325	39,050	37,800	36,550	35,300	34,050	32,800	31,475	30,150	28,825	27,500
		Sensible Cooling	32,375	31,850	31,300	30,775	30,225	29,700	29,200	28,700	28,200	27,700	27,025	26,350	25,675	25,000
	80/67	Total Cooling	49,150	47,675	46,175	44,675	43,200	41,700	40,125	38,550	36,975	35,400	34,225	33,075	31,900	30,750
		Sensible Cooling	32,375	31,800	31,225	30,650	30,075	29,500	28,894	28,300	27,675	27,075	26,625	26,175	25,750	25,300
	85/72	Total Cooling	53,150	51,700	50,250	48,800	47,350	45,900	44,475	43,050	41,625	40,200	38,650	37,100	35,550	34,000
		Sensible Cooling	31,550	31,050	30,550	30,025	29,500	29,000	28,500	28,000	27,500	26,925	26,350	25,775	25,200	
WA4S3 WL4S2	75/62	Total Cooling	56,025	53,100	51,575	50,050	48,525	48,400	46,950	45,500	44,050	42,600	40,775	38,950	37,125	35,300
		Sensible Cooling	40,600	40,100	39,450	38,775	38,125	37,300	36,725	36,150	35,575	35,000	34,000	33,000	32,000	31,000
	80/67	Total Cooling	62,725	58,800	56,975	55,150	53,325	53,600	51,700	49,800	47,900	46,000	44,475	42,950	41,425	39,900
		Sensible Cooling	41,750	41,300	41,475	39,650	38,800	37,600	36,700	35,800	34,900	34,000	33,450	32,900	32,350	31,800
	85/72	Total Cooling	69,425	66,700	64,800	62,900	61,000	59,900	57,975	56,050	54,125	52,200	50,375	48,550	46,725	44,900
		Sensible Cooling	41,825	41,500	40,725	39,925	39,150	37,900	37,100	36,300	35,500	34,700	33,975	33,250	32,525	31,800
WA5S3 WL5S2	75/62	Total Cooling	69,350	67,525	65,700	63,900	62,075	60,250	58,425	56,625	54,825	53,000	51,150	49,300	47,450	45,600
		Sensible Cooling	49,650	48,875	48,100	47,325	46,575	45,800	45,075	44,325	43,600	42,850	41,975	41,075	40,200	39,300
	80/67	Total Cooling	74,750	72,775	70,800	68,800	66,825	64,850	62,775	60,675	58,600	56,500	54,950	53,400	51,850	50,300
		Sensible Cooling	48,325	47,550	46,750	45,975	45,175	44,400	43,500	42,600	41,700	40,800	40,475	40,150	39,825	39,500
	85/72	Total Cooling	79,375	77,650	75,950	74,225	72,525	70,800	69,275	67,750	66,225	64,700	62,250	59,775	57,325	54,850
		Sensible Cooling	46,425	45,875	45,350	44,825	44,275	43,750	43,275	42,800	42,325	41,850	41,100	40,325	39,575	38,800

## 1st Stage Cooling Application Data - Outdoor Temperature ①

Model	D.B./W.B. ②	Cooling Capacity BTU/HR	50°F	55°F	60°F	65°F	70°F	75°F	80°F	85°F	90°F	95°F	100°F	105°F	110°F	115°F
WA3S3 WL3S2	75/62	Total Cooling	30,250	29,275	28,300	27,350	26,375	25,400	24,450	23,500	22,550	21,600	20,550	19,500	18,450	17,400
		Sensible Cooling	22,775	22,300	21,825	21,350	20,875	20,400	19,950	19,500	19,050	18,600	18,025	17,450	16,875	16,300
	80/67	Total Cooling	34,300	33,150	32,025	30,875	29,750	28,600	27,450	26,300	25,150	24,000	22,900	21,800	20,700	19,600
		Sensible Cooling	23,075	22,575	22,050	21,525	21,025	20,500	19,975	19,425	18,900	18,350	17,925	17,475	17,050	16,600
	85/72	Total Cooling	37,900	36,700	35,525	34,350	33,175	32,000	30,825	29,650	28,475	27,300	26,125	24,925	23,750	22,550
		Sensible Cooling	22,400	22,000	21,600	21,200	20,800	20,400	20,025	19,650	19,275	18,900	18,425	17,925	17,450	16,950
WA4S3 WL4S2	75/62	Total Cooling	41,000	39,800	38,660	37,525	36,375	35,300	34,200	33,100	32,000	30,900	29,600	28,300	27,000	25,700
		Sensible Cooling	29,675	30,000	29,475	28,925	28,400	27,000	26,475	25,950	25,425	24,900	24,325	23,750	23,175	22,600
	80/67	Total Cooling	45,375	43,500	42,225	40,950	39,675	39,000	37,750	36,500	35,250	34,000	32,625	31,250	29,875	28,500
		Sensible Cooling	29,875	30,100	29,550	29,000	28,450	27,100	26,550	26,000	25,450	24,900	24,350	23,775	23,225	22,650
	85/72	Total Cooling	51,200	48,100	46,650	45,175	43,725	43,900	42,400	40,900	39,400	37,900	36,600	35,300	34,000	32,700
		Sensible Cooling	30,625	29,600	29,000	28,300	27,675	27,400	26,725	26,025	25,350	24,650	24,175	23,700	23,225	22,750
WA5S3 WL5S2	75/62	Total Cooling	50,375	49,050	47,725	46,400	45,075	43,750	42,550	41,350	40,150	38,950	37,150	35,325	33,525	31,700
		Sensible Cooling	37,125	36,575	36,050	35,525	35,000	34,450	33,975	33,500	33,025	32,550	31,775	31,025	30,275	29,500
	80/67	Total Cooling	58,925	56,900	54,900	52,900	50,875	48,850	46,650	44,425	42,225	40,000	38,775	37,550	36,325	35,100
		Sensible Cooling	36,900	36,400	35,875	35,375	34,850	34,350	33,450	32,525	31,625	30,700	31,825	32,925	34,050	35,150
	85/72	Total Cooling	62,550	60,800	59,050	57,300	55,550	53,800	52,050	50,275	48,525	46,750	45,050	43,350	41,650	39,950
		Sensible Cooling	36,250	35,775	35,300	34,825	34,375	33,900	33,475	33,025	32,600	32,150	31,600	30,975	30,400	29,800

① Below 50°F, unit requires a factory or field-installed low ambient control.

② Return air temperature °F.

### Clearances Required for Service Access and Adequate Condenser Airflow Intake

MODELS	LEFT SIDE	RIGHT SIDE
WA/L3S, WA/L4S, WA/L5S	20"	20"

### Minimum Clearances Required to Combustible Materials

MODELS ①	SUPPLY AIR DUCT FIRST THREE FEET	CABINET
WA/L3S, WA/L4S, WA/L5S	1/4"	0"

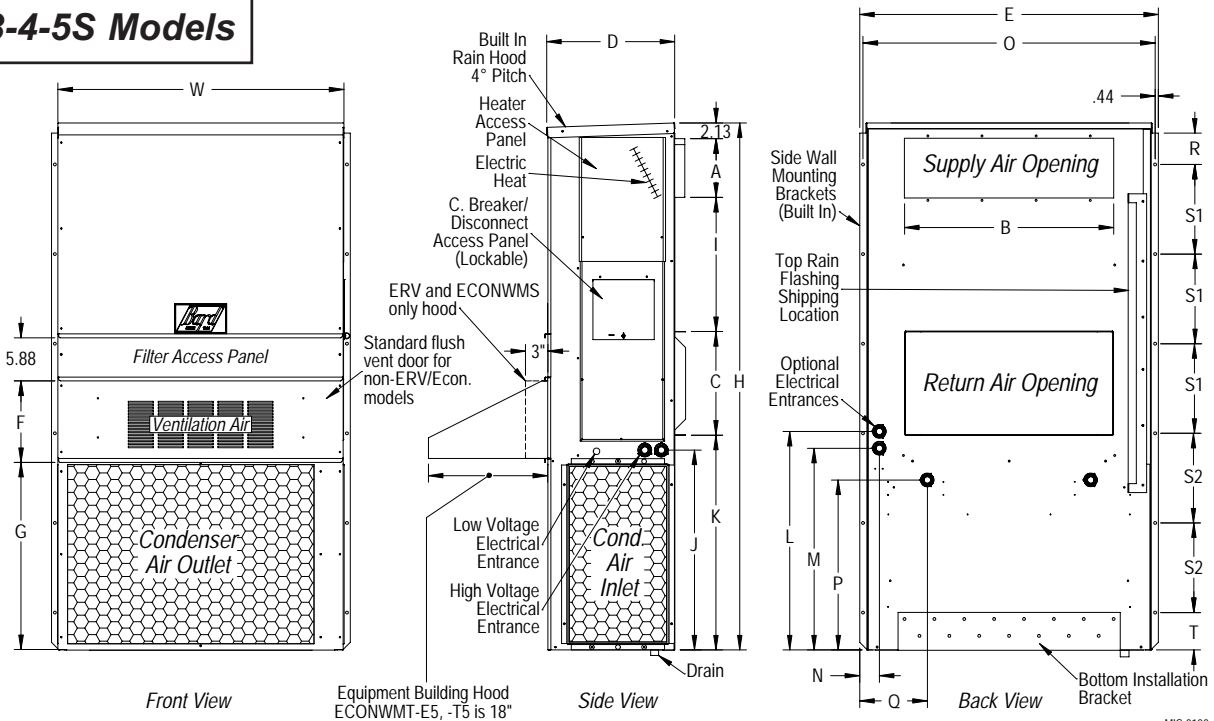
① Refer to the Installation Manual for more detailed information.

## Dimensions of Basic Unit for Architectural and Installation Requirements (Nominal)

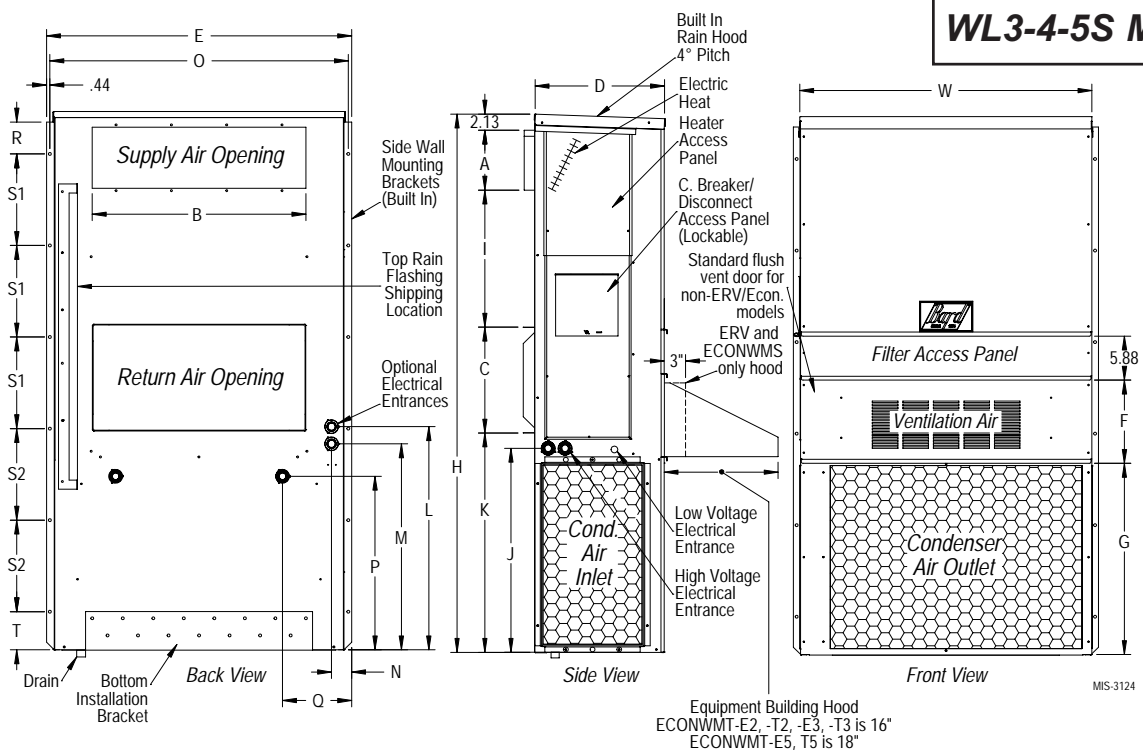
MODEL	WIDTH (W)	DEPTH (D)	HEIGHT (H)	SUPPLY		RETURN																	
				A	B	C	B	E	F	G	I	J	K	L	M	N	O	P	Q	R	S1	S2	T
WA3S3 WL3S2	42.075	22.432	84.875	9.88	29.88	15.88	29.88	43.88	13.56	31.66	30.00	32.68	26.94	34.69	32.43	3.37	43.00	23.88	10.00	1.44	16.00	16.00	1.88
WA4S3 WL4S2 WA5S3 WL5S2	42.075	22.432	94.875	9.88	29.88	15.88	29.88	43.88	13.56	41.66	30.00	42.68	36.94	44.69	42.43	3.37	43.00	33.88	10.00	1.44	21.00	21.00	1.88

All dimensions are in inches. Dimensional drawings are not to scale.

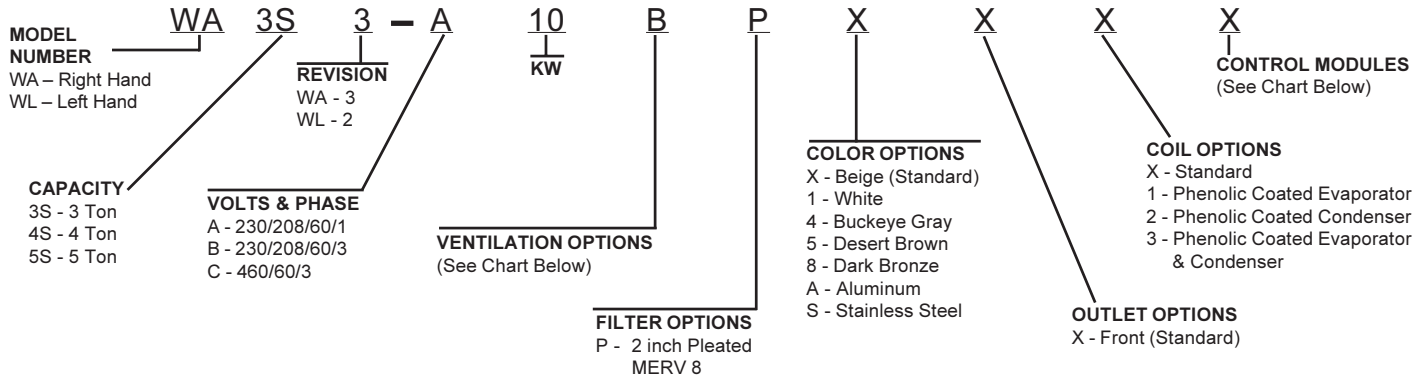
### WA3-4-5S Models



### WL3-4-5S Models



# Air Conditioning Wall-Mount Model Nomenclature



Note: For 0KW and circuit breakers (230/208 Volt) or rotary disconnect (460 Volt) applications, insert 0Z in the KW field of the model number.

## Ventilation Options

Models Description	All Models	
	Factory Installed Code No.	Field Installed Part No.
Blank-Off Plate	B	BOP-5
Motorized Fresh Air Damper	M	MFAD-5
Commercial Ventilator - Motorized with Exhaust	V	CRVMP-5
Economizer - School Versions, Enthalpy ④	S	ECONWMS-E5 ②③
Economizer - Equipment Bldg., Enthalpy ⑤	W	ECONWMT-E5 ②
Economizer - Equipment Bldg., DB Temp ⑤	T	ECONWMT-T5 ②
Energy Recovery Ventilator - 230 Volt ③	R	ERVF-A5 ①
Energy Recovery Ventilator - 460 Volt ③	R	ERVF-C5 ①
Door Kit for ERVF (Required)	N/A	WMDK5- ③

- ① Intake and exhaust can be independently adjusted.
- ② Insert color to match unit ("X" = Beige; "4" = Buckeye Gray; etc.)
- ③ WMDK Door Kit must be ordered in addition to ERVF Assembly and ECONWMS & color matched to unit ("X" = Beige; "4" = Buckeye Gray; etc.)
- ④ Partial Full Flow (75% of Rated Cooling CFM). All ECONWMS versions have 3" deep intake hood.
- ⑤ Full Flow (100% of Rated Cooling CFM). ECONWMT\*2 and \*3 have 16" deep intake hood; ECONWMT-\*5 has 18" deep intake hood.

## Air Conditioning Control Modules

AVAILABLE CONTROL OPTIONS							All Models	
HPC①	LPC ②	CCM ③	LAC ④	ALR ⑤	SK ⑥	DDC ⑦	Factory Installed Code	Field Installed Part
STD	STD	STD			STD		X	N/A
STD	STD	STD	●		STD		H	CMA-28
STD	STD	STD	●	●	STD		J	Factory Only
STD	STD	STD	●	●	STD	●	V ⑦	Factory Only

STD = Standard equipment for these specified models.

- ① HPC. High pressure control is auto reset. Always used with compressor control module (CCM) which is included. See note ③.
- ② LPC. Low pressure control is auto reset. Always used with compressor control module (CCM) which is included. See note ③.
- ③ CCM. Compressor control module has adjustable 30-second to 5-minute delay-on-break timer. On initial power-up, or any time the power is interrupted, the delay-on-make will be 2-minutes plus 10% of the delay-on-break setting. There is no delay-on-make during routine operation of the unit. The module also provides the lockout feature (with 1 retry) for high and/or low-pressure controls, and a 2-minute timed bypass for low-pressure control.
- ④ LAC. Low ambient control permits cooling operation down to 0°F.
- ⑤ ALR. The alarm relay has a set of normally open and normally closed dry contacts to provide the ability to signal a condition of shutdown on either high or low pressure controls.
- ⑥ SK. Start kit standard on all -A single phase models only. Is not used or available for -B or -C three phase models.
- ⑦ DDC. Incorporates 4 additional sensors: discharge air temperature, indoor blower airflow, compressor current, and dirty filter. These sensing devices function to input analog data such as temperature, as well as digital data such as airflow, compressor status or filter status.



Bard Manufacturing Company, Inc.  
Bryan, Ohio 43506  
www.bardhvac.com

**Due to our continuous product improvement policy, all specifications subject to change without notice.**

Before purchasing this appliance, read important energy cost and efficiency information available from your retailer.

**Form No.  
S3378  
November, 2012**

Supersedes: S3378-712

## Free Manuals Download Website

<http://myh66.com>

<http://usermanuals.us>

<http://www.somanuals.com>

<http://www.4manuals.cc>

<http://www.manual-lib.com>

<http://www.404manual.com>

<http://www.luxmanual.com>

<http://aubethermostatmanual.com>

Golf course search by state

<http://golfingnear.com>

Email search by domain

<http://emailbydomain.com>

Auto manuals search

<http://auto.somanuals.com>

TV manuals search

<http://tv.somanuals.com>