



# INSTALLATION INSTRUCTIONS

## ELECTRIC HEAT PACKAGES

---

**MODELS:**   EHWH42-A05           EHWA05-A05  
              EHWH42-A10       EHWA05-A10  
              EHWH42-A15       EHWA05-A15  
              EHWH04-A05       EHWA05-A20  
              EHWH04-A10       EHWA05-B09  
              EHWH04-A15       EHWA05-B15  
              EHWH04-A20       EHWA05-B18  
              EHWH04-B18       EHWA05A-C09  
              EHWH05-B09       EHWA05A-C15  
              EHWH05-B15  
              EHWH05A-C09  
              EHWH05A-C15

**For 3 1/2, 4, and 5 Ton WA and WH Series  
Wall Mounted Air Conditioners  
and Heat Pumps**

---

BARD MANUFACTURING COMPANY  
Bryan, Ohio 43506

Since 1914...Moving, ahead just as planned.

Manual:	2100-254 Rev.
Supersedes:	Rev.
File:	Volume III, Tab 18
Date:	January 1995

# Contents

<b>DESCRIPTION .....</b>	<b>3</b>
<b>IMPORTANT.....</b>	<b>5</b>
<b>SHIPPING DAMAGE .....</b>	<b>5</b>
<b>UNPACKING THE ELECTRIC HEAT PACKAGE .....</b>	<b>5</b>
<b>WIRING MAIN POWER .....</b>	<b>5</b>
<b>INSTALLATION.....</b>	<b>7</b>

Copyright January 1995  
Bard Manufacturing Company  
Bryan, Ohio 43506

## DESCRIPTION

The EHWA and EHWH series electric heater packages are field installable heater packages suitable for use with Bard wall mount hi boy air conditioners and heat pumps. The packages consist of the electric heat strip, the heater control base which includes the heat contactors, and circuit breaker or pull disconnects, installation instructions and wiring diagrams. See TABLE 1 for nominal electrical data and BTU output. Before installation, check unit serial plate to insure the heater package model that you intend to install is listed as a heater package that is suitable for use with the Bard wall mount hi boy unit. See FIGURE 6.

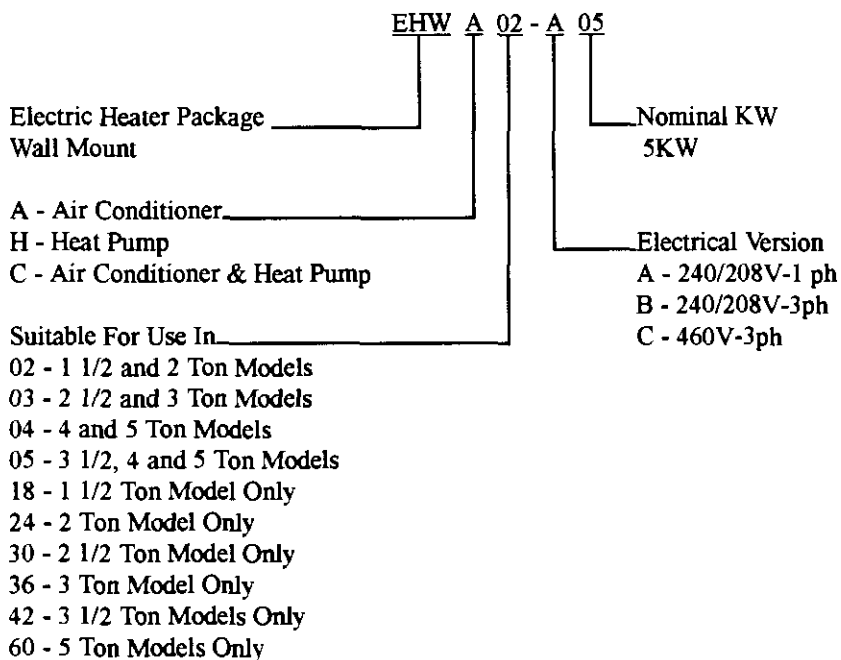
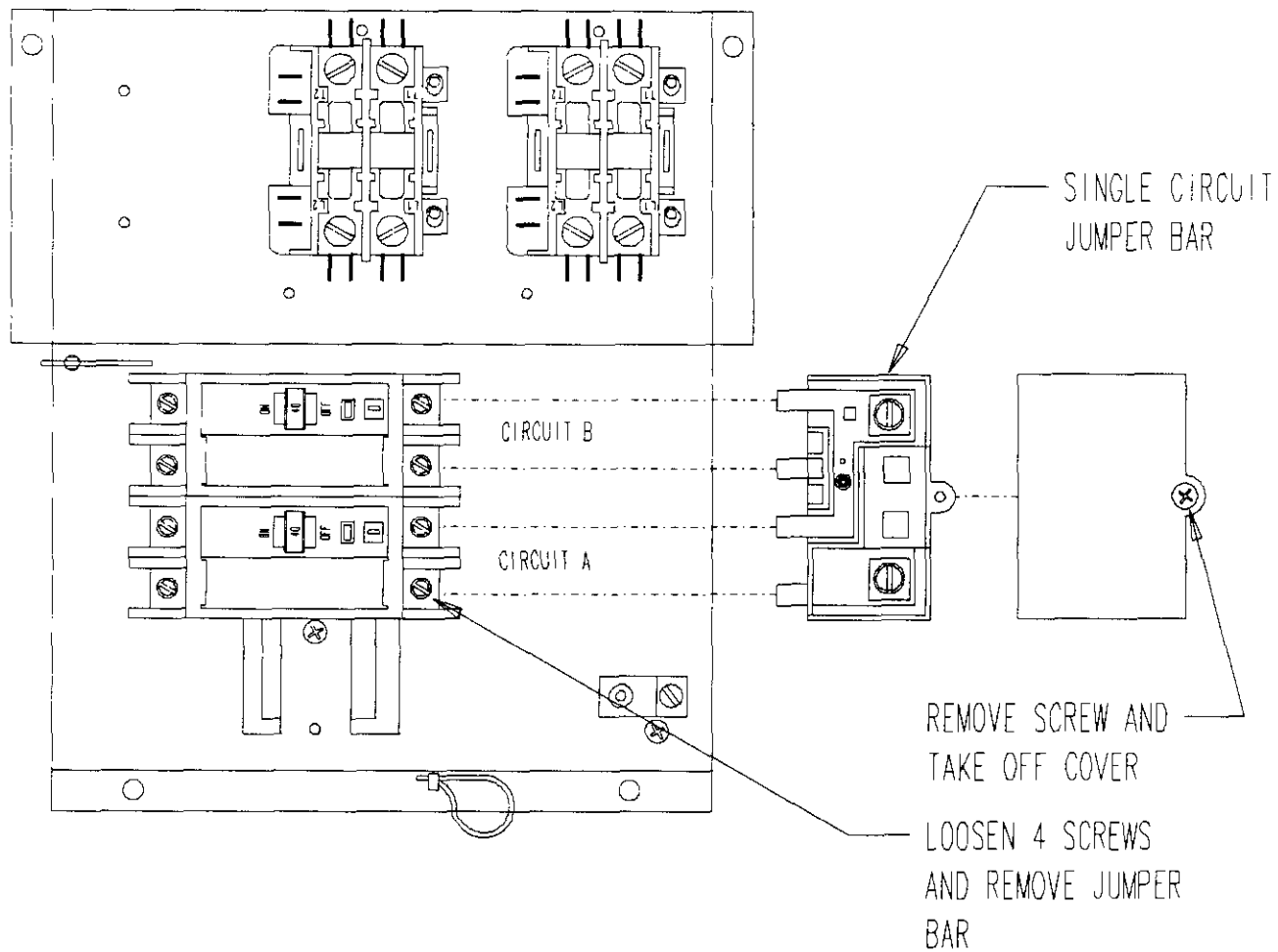


TABLE 1

Heater Package Model	Volts	Phase	Nominal KW	Nominal BTU
EHWA05-A05	240/208	1	5 / 3.75	17,065 / 12,800
EHWA05-A10	240/208	1	10 / 7.5	34,130 / 25,600
EHWA05-A15	240/208	1	15 / 11.25	51,200 / 38,400
EHWA05-A20	240/208	1	20 / 15	68,260 / 51,200
EHWA05-B09	240/208	3	9 / 6.75	30,600 / 23,030
EHWA05-B15	240/208	3	15 / 11.25	51,200 / 38,400
EHWA05-B18	240/208	3	18 / 13.5	61,430 / 46,100
EHWA05A-C09	480	3	9.00	30,700
EHWA05A-C15	480	3	15.00	47,000
EHWH42-A05	240/208	1	5 / 3.75	17,065 / 12,800
EHWH42-A10	240/208	1	10 / 7.5	34,130 / 25,600
EHWH42-A15	240/208	1	15 / 11.25	51,200 / 38,400
EHWH04-A05	240/208	1	5 / 3.75	17,065 / 12,800
EHWH04-A10	240/208	1	10 / 7.5	34,130 / 25,600
EHWH04-A15	240/208	1	15 / 11.25	51,200 / 38,400
EHWH04-A20	240/208	1	20 / 15	68,260 / 51,200
EHWH04-B18	240/208	3	18 / 13.5	61,430 / 46,100
EHWH05-B09	240/208	3	9 / 6.75	30,600 / 23,030
EHWH05-B15	240/208	3	15 / 11.25	51,200 / 38,400
EHWH05A-C09	480	3	9.00	30,700
EHWH05A-C15	480	3	15.00	47,000
EHWA60-B09	240/208	3	9 / 6.75	30,600 / 23,030

FIGURE 1



MIS-365

## IMPORTANT

The equipment covered in this manual is to be installed by trained, experienced service and installation technicians.

## SHIPPING DAMAGE

Upon receipt of equipment, the carton should be checked for external signs of shipping damage. If damage is found, the receiving party must contact the last carrier immediately, preferably in writing, requesting inspection by the carrier's agent.

## UNPACKING THE ELECTRIC HEAT PACKAGE

Remove the heat package from the shipping carton. The heat package must consist of the following:

1. Basic heater.
2. Electric heat control base and wiring.
3. Installation instructions.
4. Wiring diagram (2), one to be applied to unit.
5. Adhesive label to remark serial plate to indicate new model number. This is attached to the front of these instructions.

## WIRING MAIN POWER

1. On all installations, size unit power supply wiring for the minimum circuit ampacity requirement for the unit and heater package combination listed on the unit serial plate.

For existing installations, addition or upgrading of a heater package may require that larger supply wires be run to the unit. Resize all power supply wires for the minimum circuit ampacity rating listed on the unit serial plate that is applicable for your combination of unit and heater package.

### WARNING

Install properly sized power supply leads for the unit/heater combination minimum circuit ampacity as listed on the unit serial plate. Hazard of fire. Failure to install properly sized conductors could result in fire.

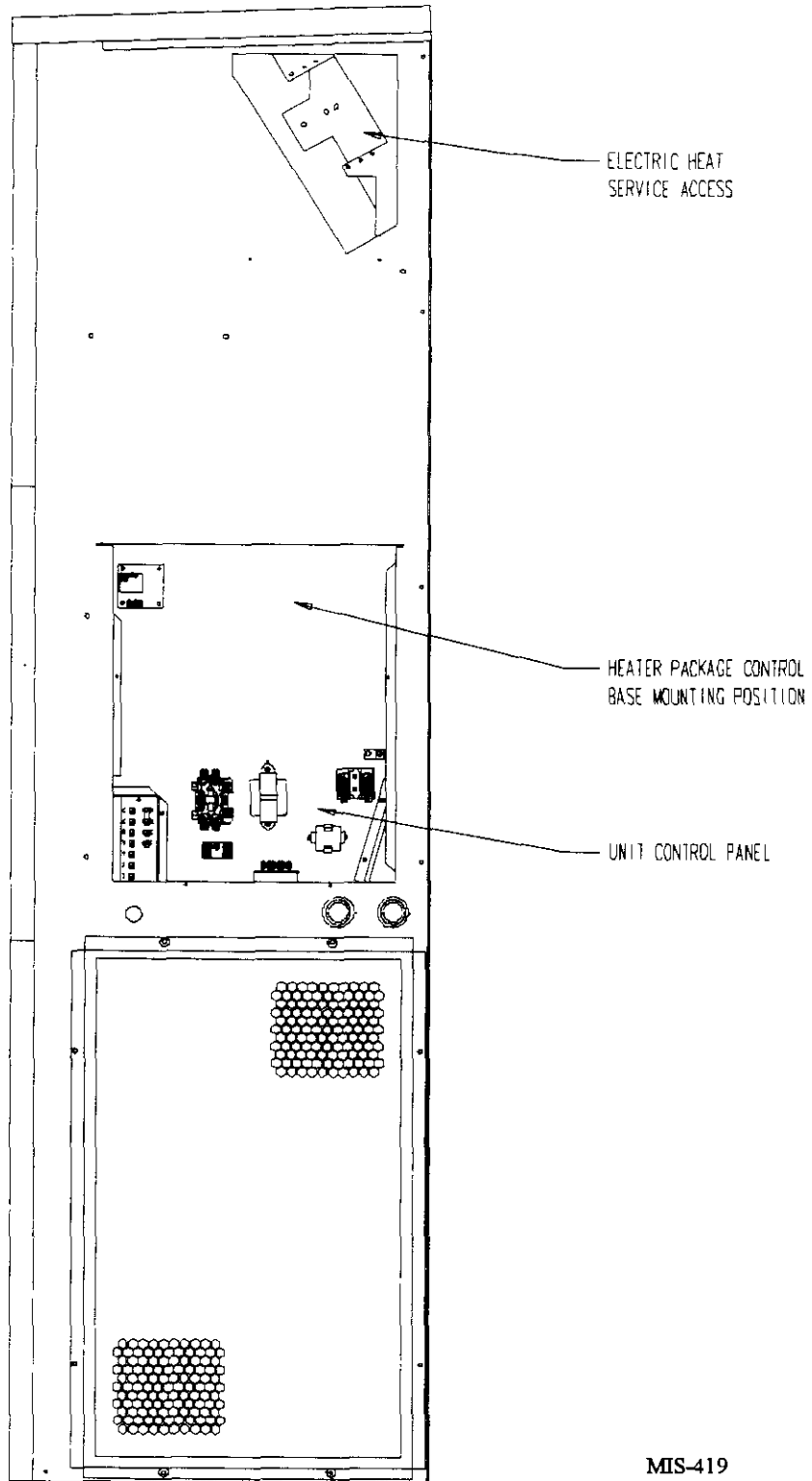
2. All heater packages covered by this manual are factory wired for a single supply circuit. The following heater packages are field convertible to a dual supply circuit if required or desired.

EHWA05-A15	EHWH04-A05
EHWA05-A20	EHWH04-A10
EHWH42-A05	EHWH04-A15
EHWH42-A10	EHWH04-A20
EHWH42-A15	

3. To convert the above heater packages to dual circuit configuration before installation, loosen 4 screws holding jumper bar in place. Remove jumper bar. Circuit A + B are now identified on the heater package. See FIGURE 1.

Wire should be sized to the minimum circuit ampacity as specified on the serial plates of units that accept these heater packages for circuits A + B.

FIGURE 2



MIS-419

## INSTALLATION

1. Disconnect all power to unit before installation.

### WARNING

Disconnect all power to unit before installing heater package. Hazard of electrical shock. Failure to disconnect power could result in injury or death.

2. Before installation, check unit serial plate to insure that the heater package model that you intend to install is listed as a heater package suitable for use with the unit.

Under no circumstances shall a heater package be installed in a unit if the model number of the heater package does not appear on the unit serial plate.

### WARNING

Install only heater packages listed on unit serial plate. Hazard of fire or electrical shock. Failure to install listed heater package could result in fire, injury or death

3. Remove electric heater access panel and control panel cover, both inner and outer. See FIGURE 2.
4. All heaters are installed with the thermal cutoffs positioned to the top of the unit. Install heat strip(s) through heater access opening. Position heat strip support rod in heater support hole 1, 2, or 3 as indicated in TABLE 1 and FIGURE 3. Secure in place with 2 sheet metal screws in mounting holes as indicated in TABLE 1 and FIGURE 3.  
  
On heater packages with 2 heat strips, install 9KW or 10KW heater first in position closest to the outlet air frame. See FIGURES 4E and 4F.
5. Install heater control base into top of control panel as shown in FIGURE 5. Secure with 4 sheet metal screws provided.
6. Plug male 6 pin connector into mating connector mounted in control panel. See FIGURE 5.
7. Connect red compressor supply lead to L1 of terminal block. Connect black compressor supply lead to L2 of terminal block. If 3 phase, connect yellow supply lead to L3 of terminal block. See FIGURE 5 and wiring diagram.
8. Route wires from heater control base up through raceway in top right corner of control panel to the heaters. See FIGURE 5.
9. Wire heater package per wiring diagram supplied with this heater package. All wires are stamped with wire numbers that correspond with terminal numbers on the wiring diagram and stamped numbers on the heat strip. Limit switch wires are terminated with insulated quick connect terminals. See FIGURE 4.
10. Attach adhesive wiring diagram directly above unit wiring diagram on inner control panel cover.
11. Recheck all wiring. Break out appropriate circuit breaker tabs on inner control panel cover to allow trip lever to protrude. Replace control panel and heater access panels
12. Resupply power to the unit and check for proper operation.
13. Remark serial plate with self-adhesive label attached to the front of this manual. See FIGURE 6.

TABLE 2

	Heater Package Model Number	Figure 4 Heater Terminal Identification Drawing	Figure 3 Rod Support and Screw Mounting Position
1	EHWA05-A05	4A	1
2	EHWA05-A10	4B	1
3	EHWA05-A15	4C	1 + 3
4	EHWA05-A20	4F	1 + 3
5	EHWA05-B09	4D	1
6	EHWA05-B15	4E	1 + 3
7	EHWA05-B18	4E	1 + 3
8	EHWA05-C09	4D	1
9	EHWA05A-C15	4E	1 + 3
10	EHWH42-A05	4A	1
11	EHWH42-A10	4B	1
12	EHWH42-A15	4C	1 + 3
13	EHWH04-A05	4A	1
14	EHWH04-A10	4B	1
15	EHWH04-A15	4C	1 + 3
16	EHWH04-A20	4F	1 + 3
17	EHWH05-B09	4D	1
18	EHWH05-B15	4E	1 + 3
19	EHWH04-B18	4E	1 + 3
20	EHWH05-C09	4D	1
21	EHWH05-C15	4E	1 + 3
22	EHWA60-B09	4B	1

FIGURE 3

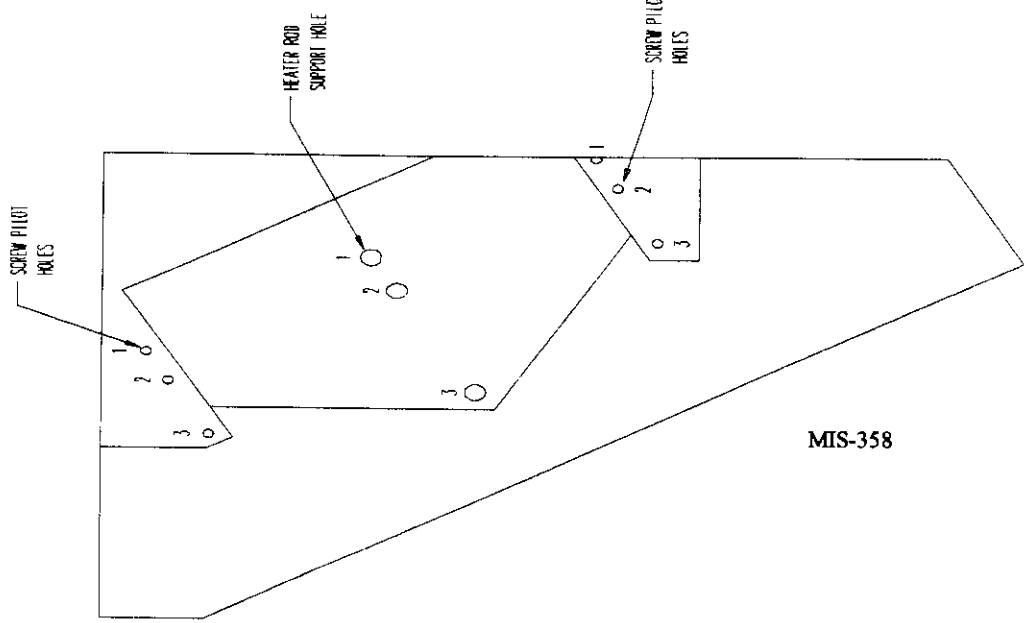
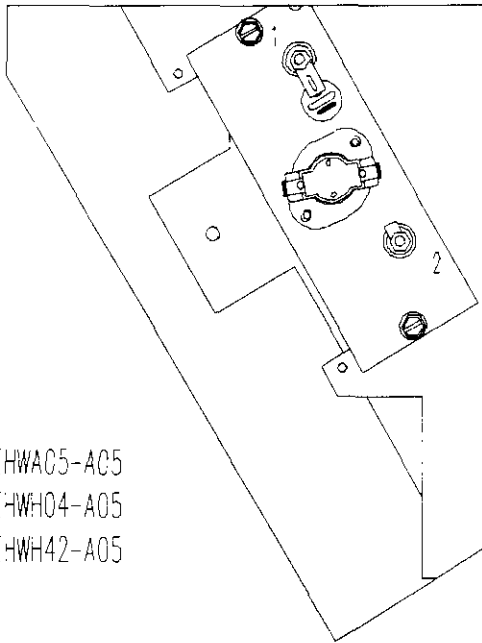


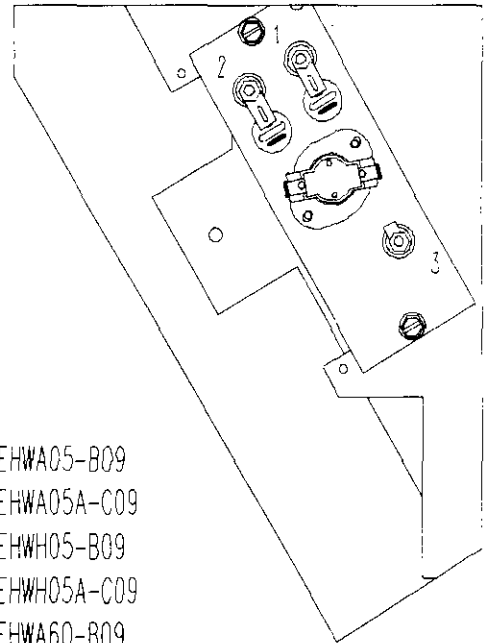


FIGURE 4A



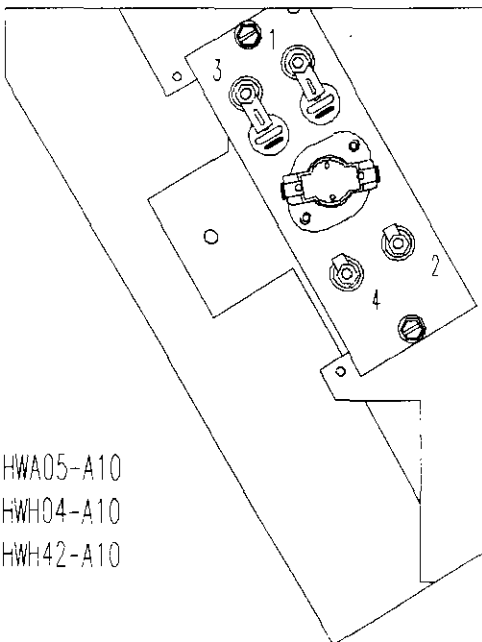
EHWA05-A05  
 EHW04-A05  
 EHW42-A05

FIGURE 4B



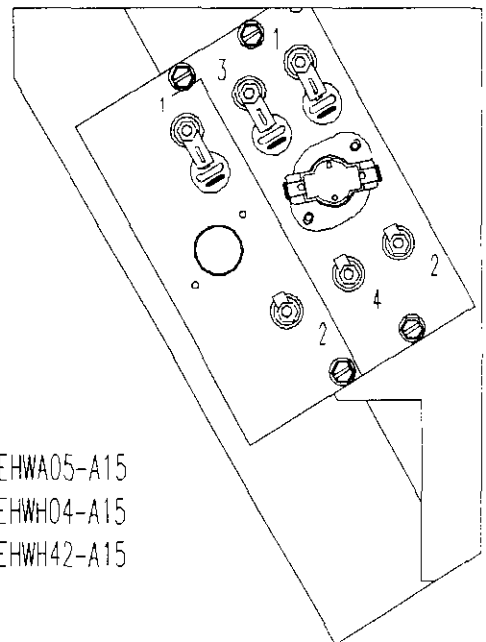
EHWA05-B09  
 EHWA05A-C09  
 EHW05-B09  
 EHW05A-C09  
 EHWA60-B09

FIGURE 4C



EHWA05-A10  
 EHW04-A10  
 EHW42-A10

FIGURE 4D



EHWA05-A15  
 EHW04-A15  
 EHW42-A15

NOTE: THERMAL CUTOFFS TO BE AT  
 TOP OF AIR FRAME WHEN INSTALLING.

M:S-420

FIGURE 4E

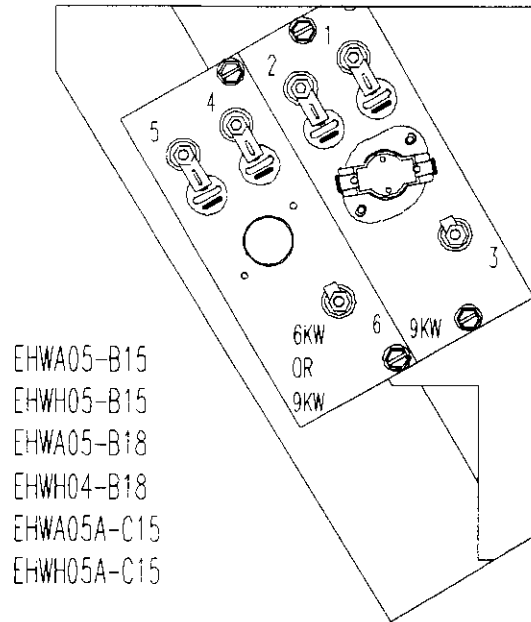
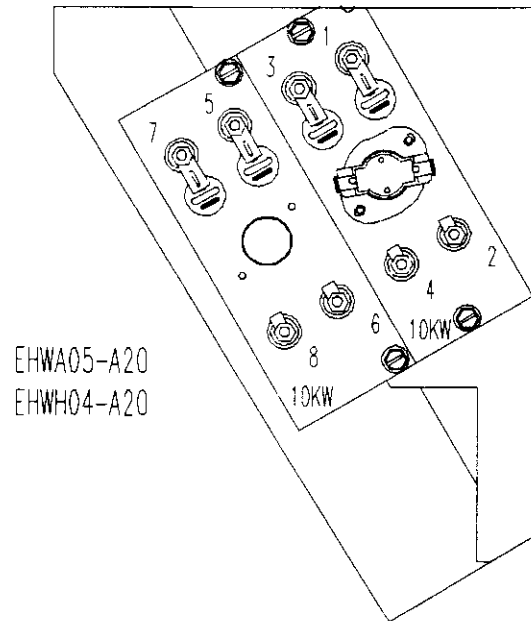
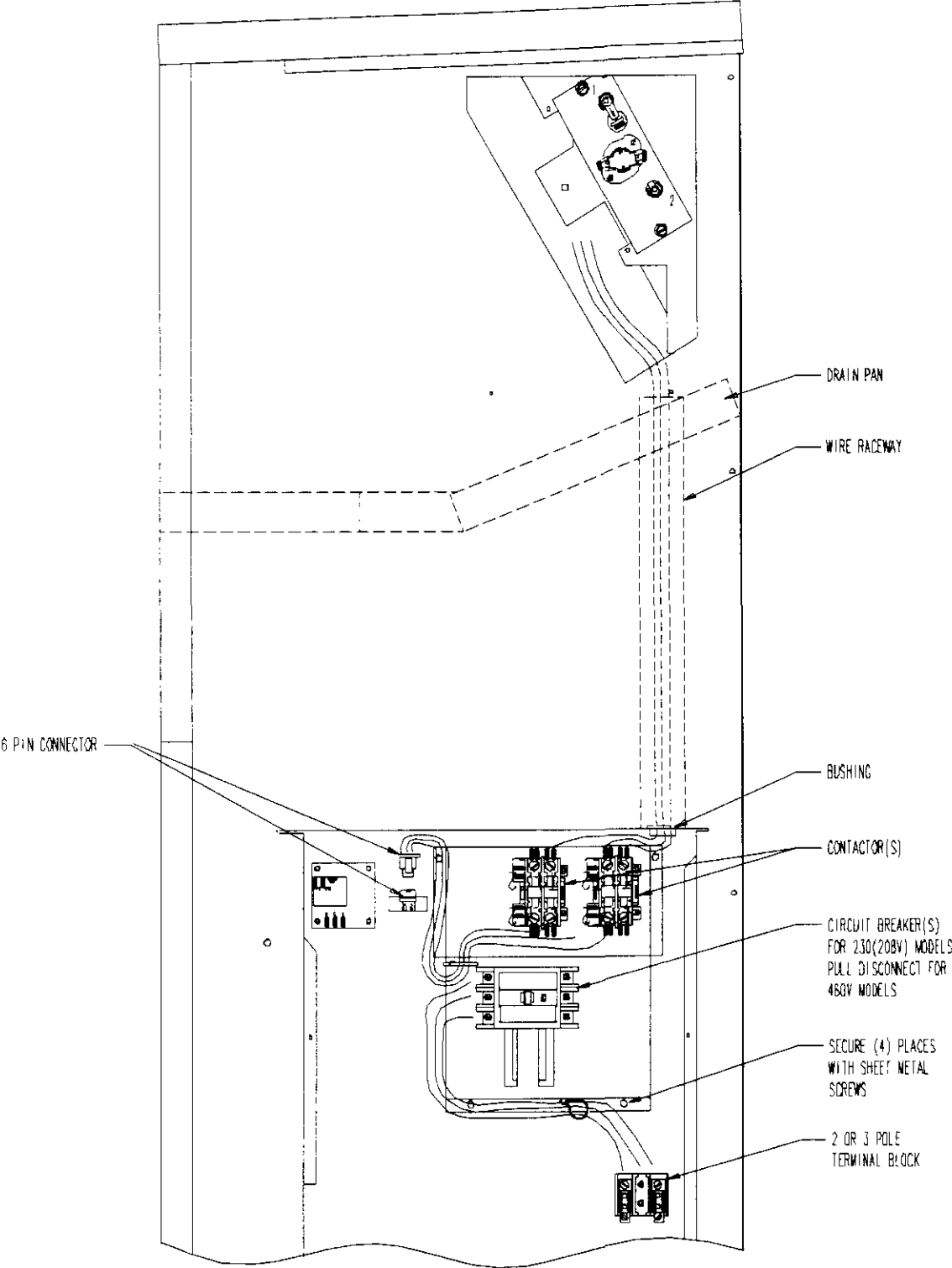


FIGURE 4F



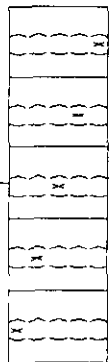
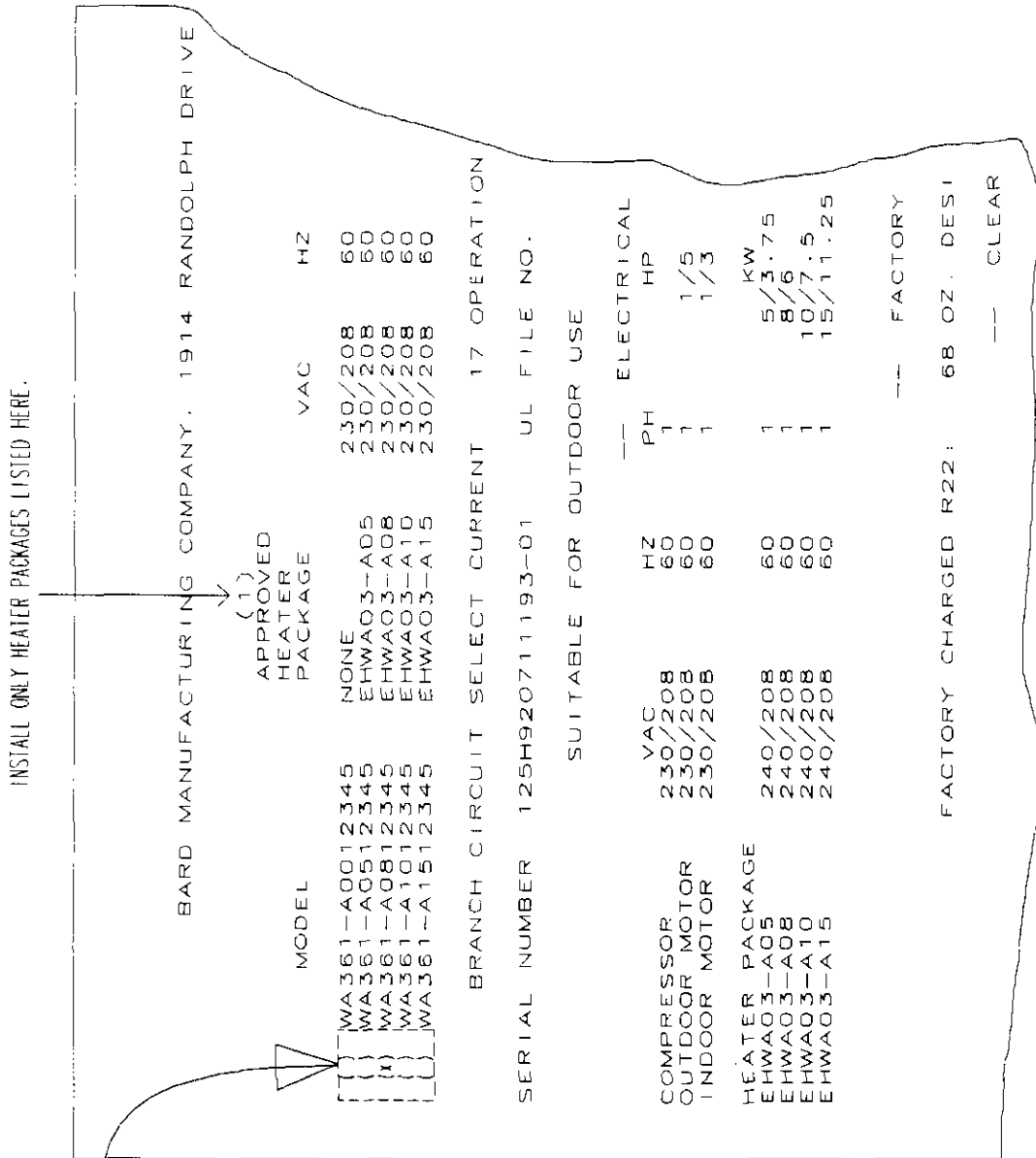
NOTE: THERMAL CUTOFFS TO BE AT TOP OF AIR FRAME WHEN INSTALLING.

FIGURE 5



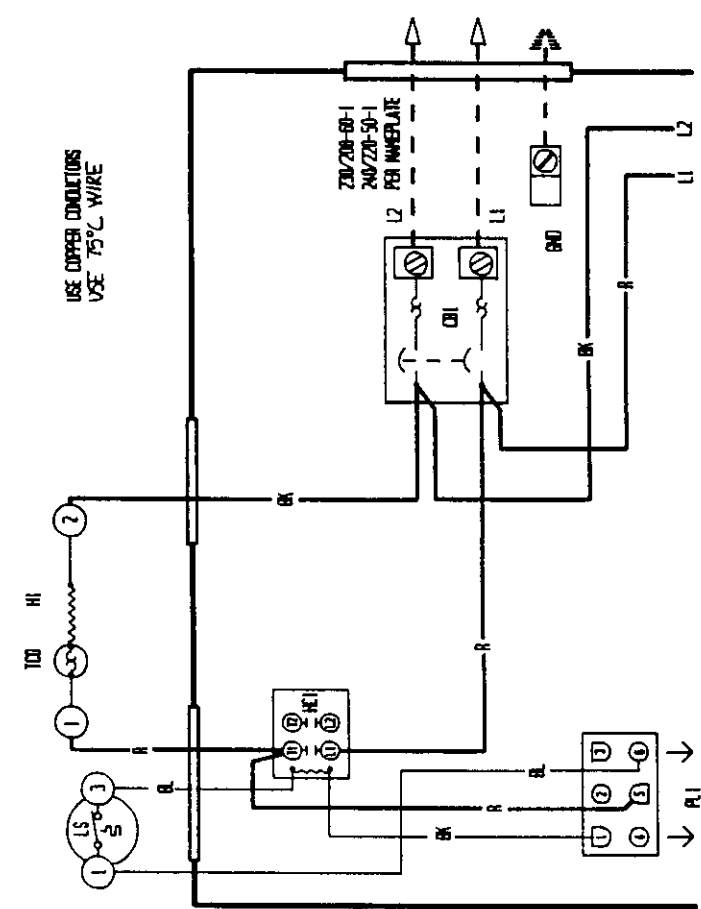
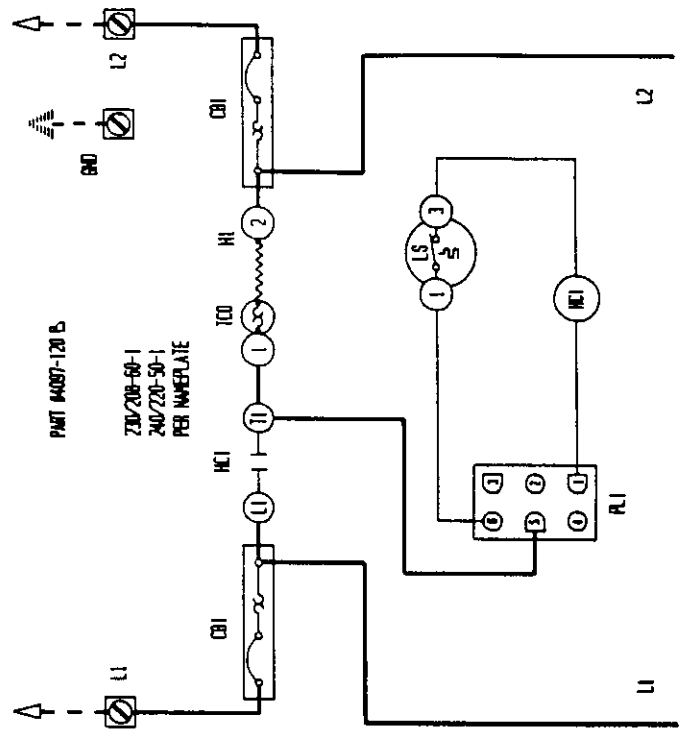
MIS-422

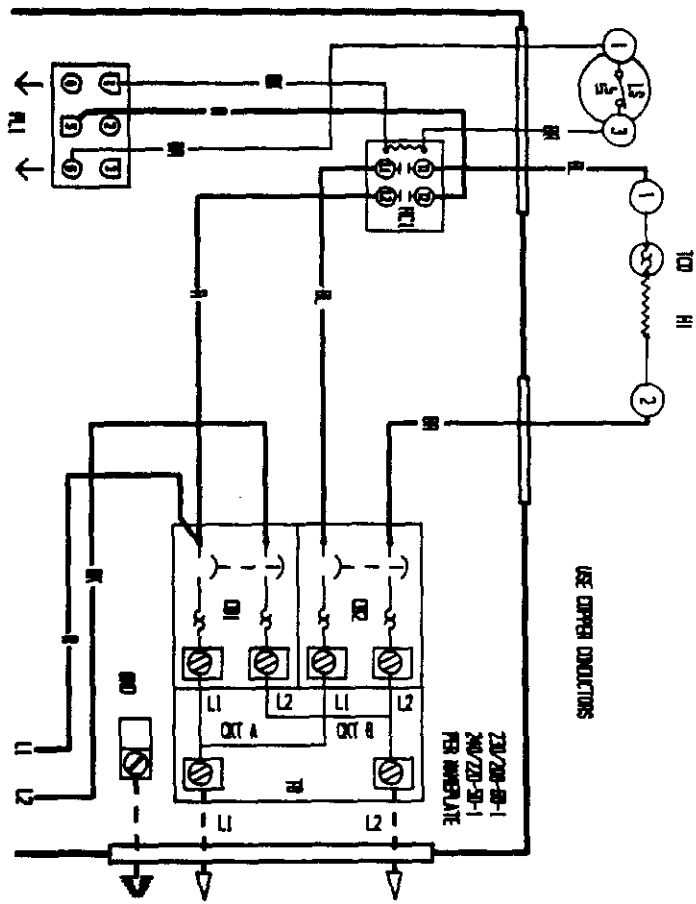
FIGURE 6



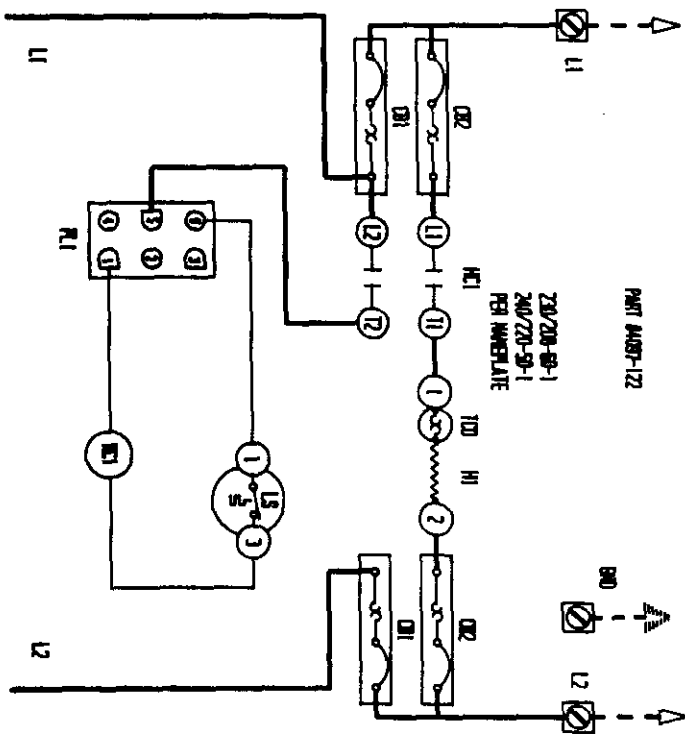
ASSURE THAT SERIAL PLATE IS CLEAN AND DRY. REMOVE APPROPRIATE LABEL STRIP FOR KW REQUIRED AND REMARK SERIAL PLATE AS SHOWN FOR THE HEATER PACKAGE THAT IS INSTALLED

MIS-384

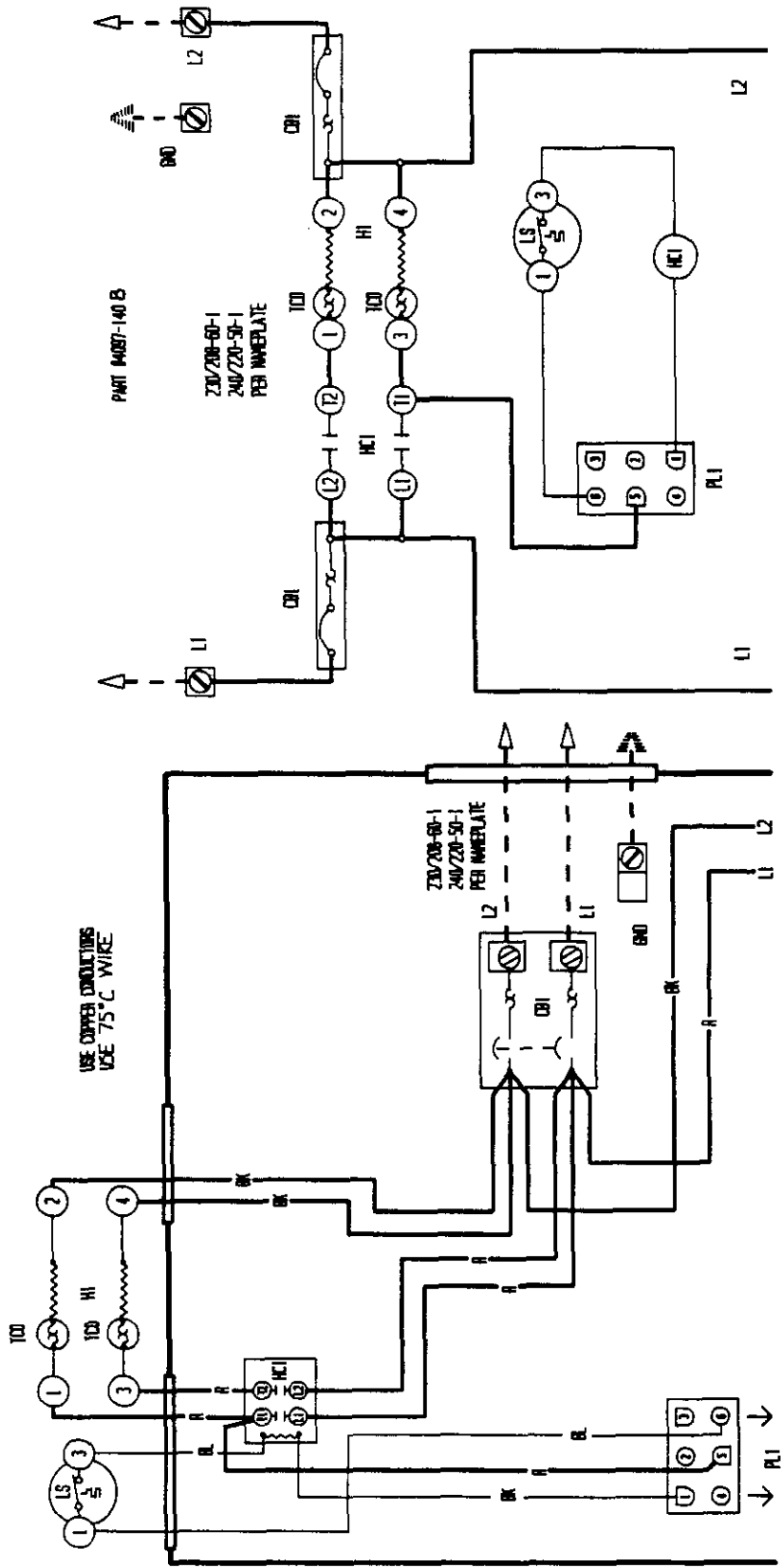


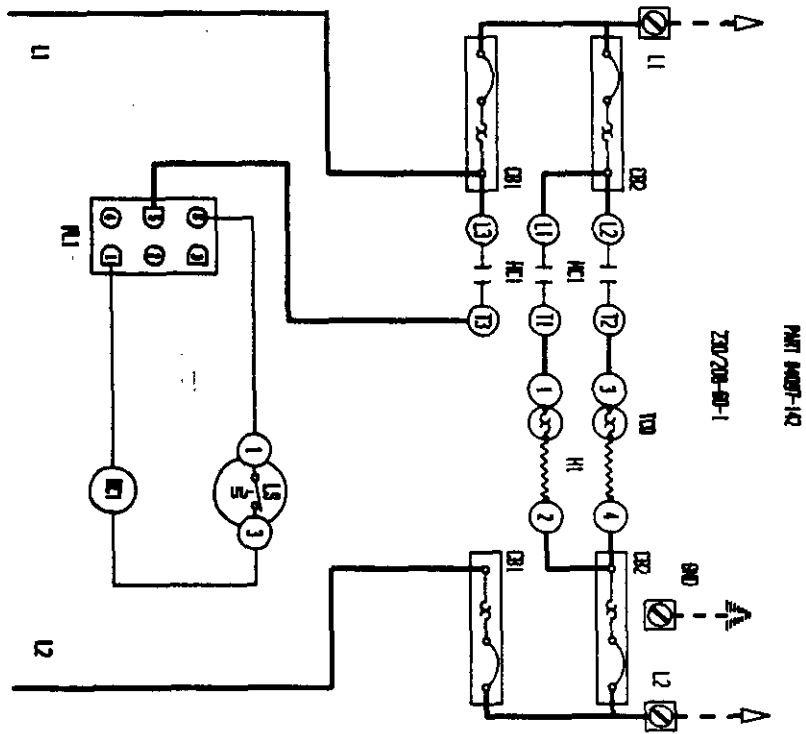
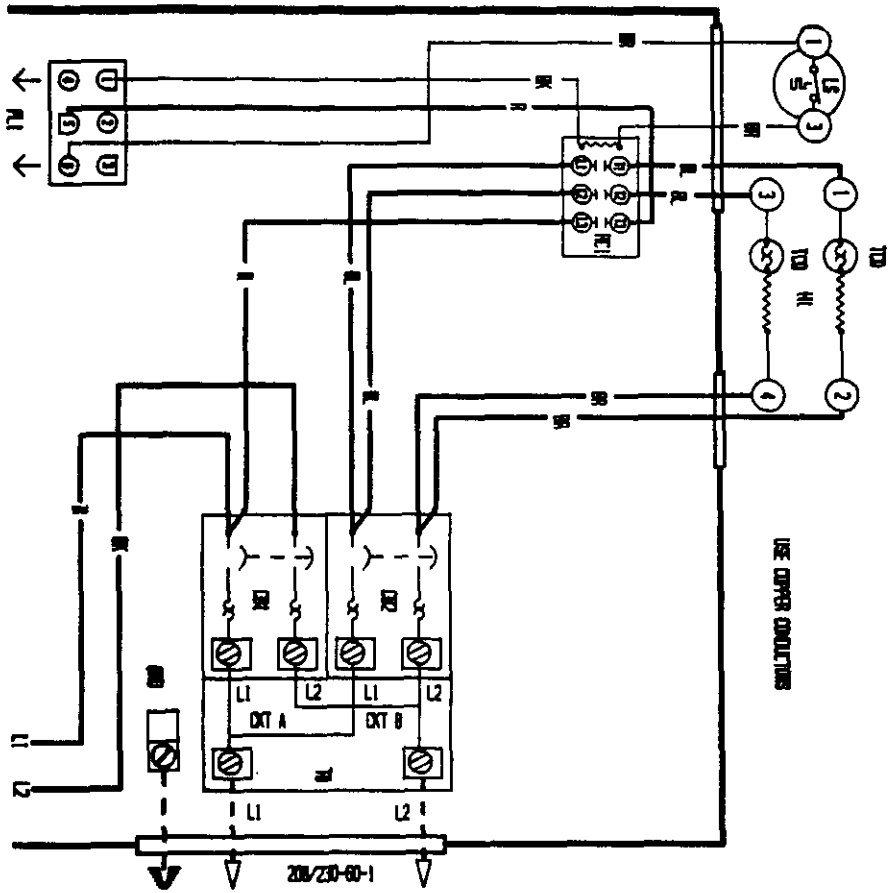


USE COPPER CONDUCTORS

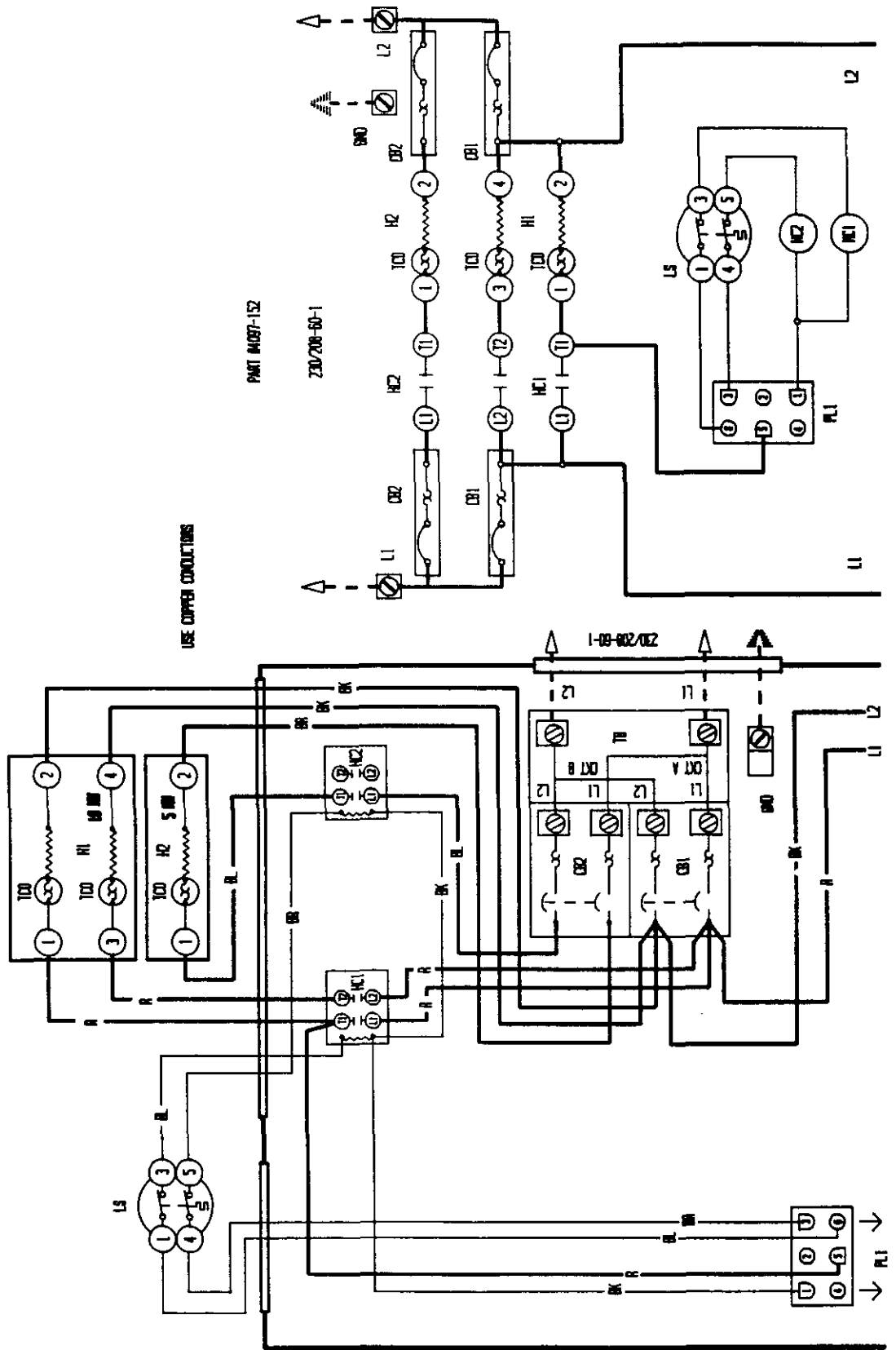


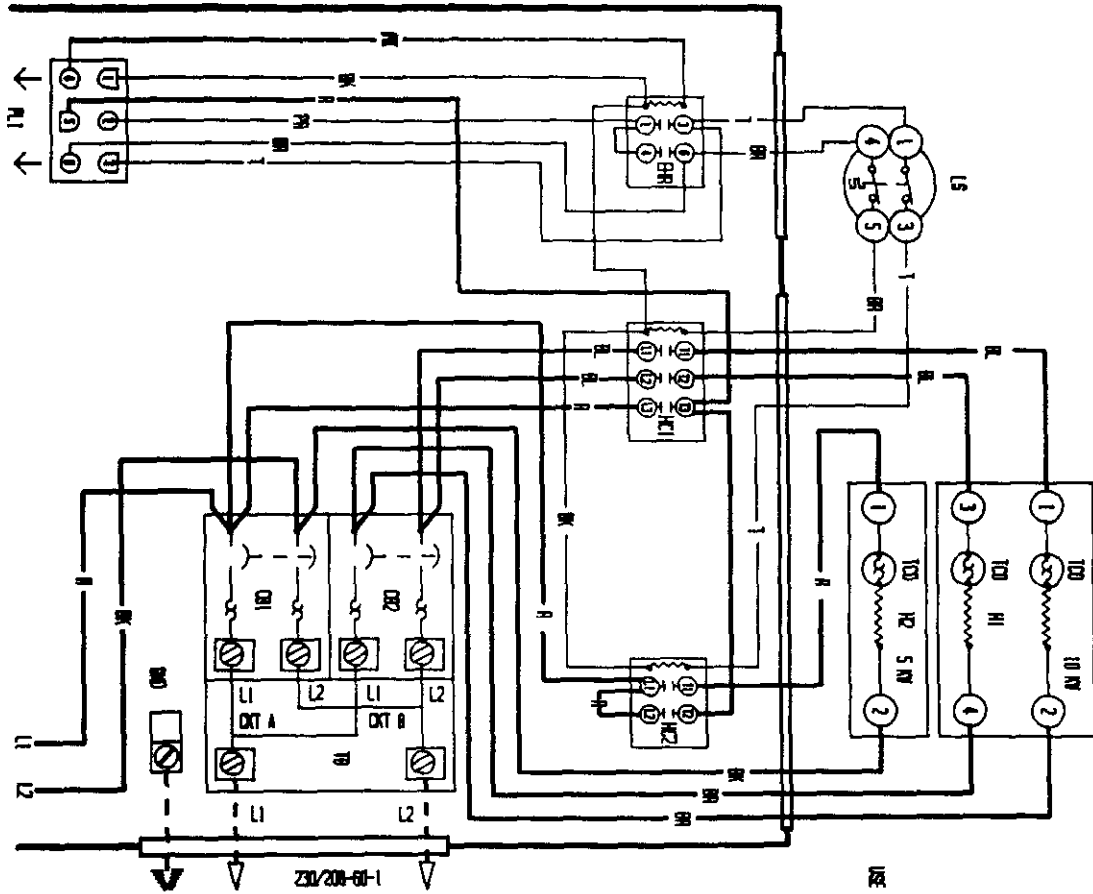
PART A487-122



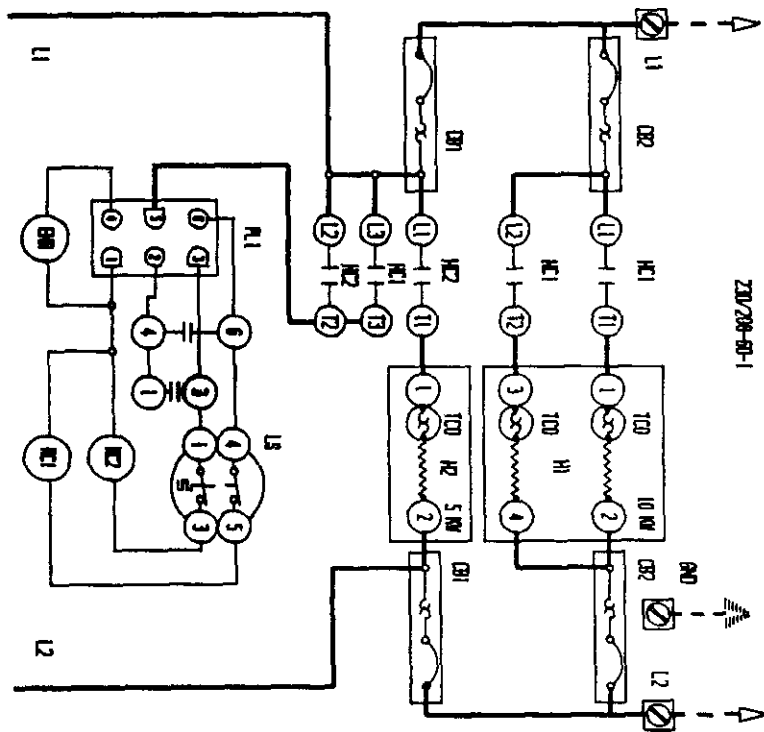




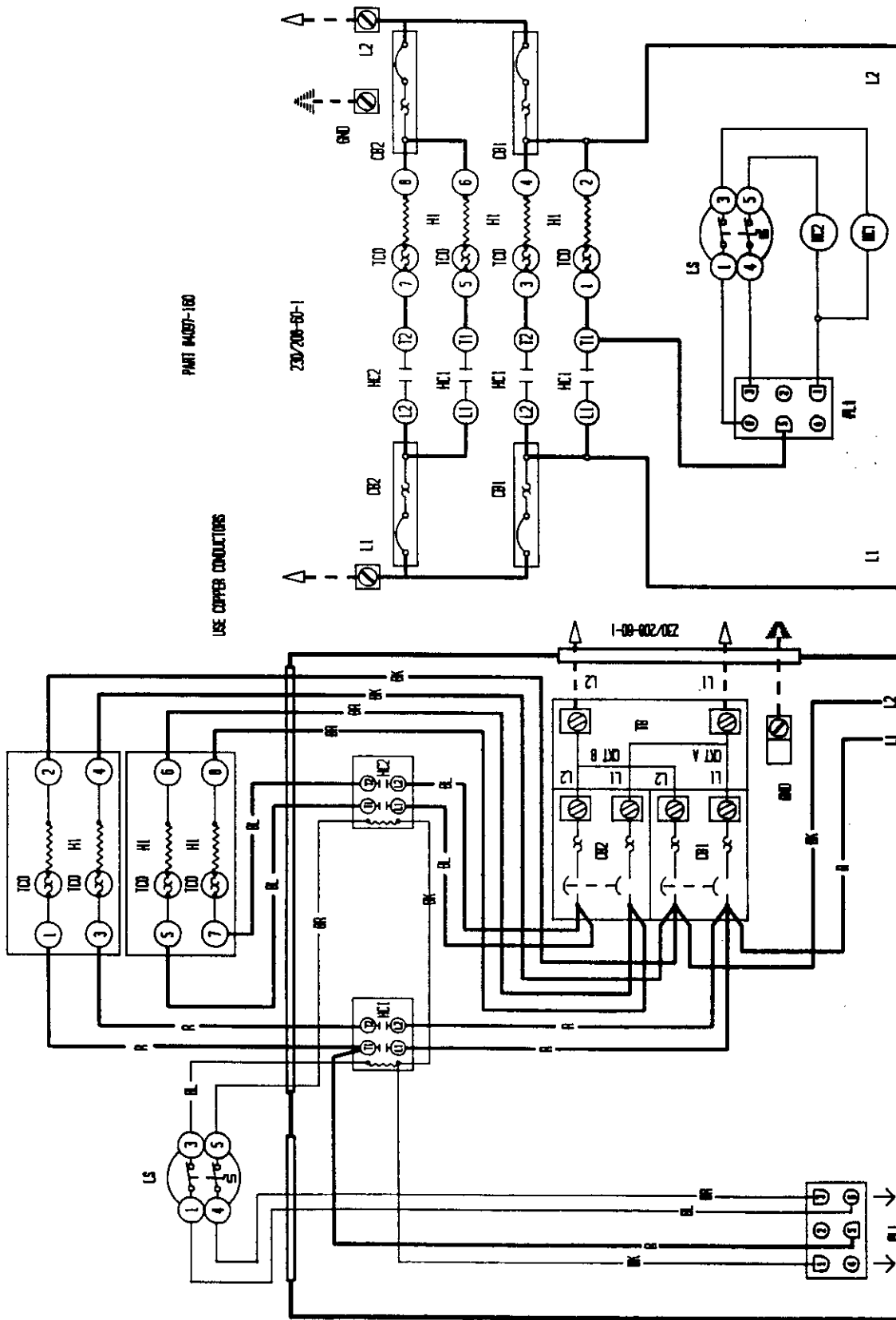


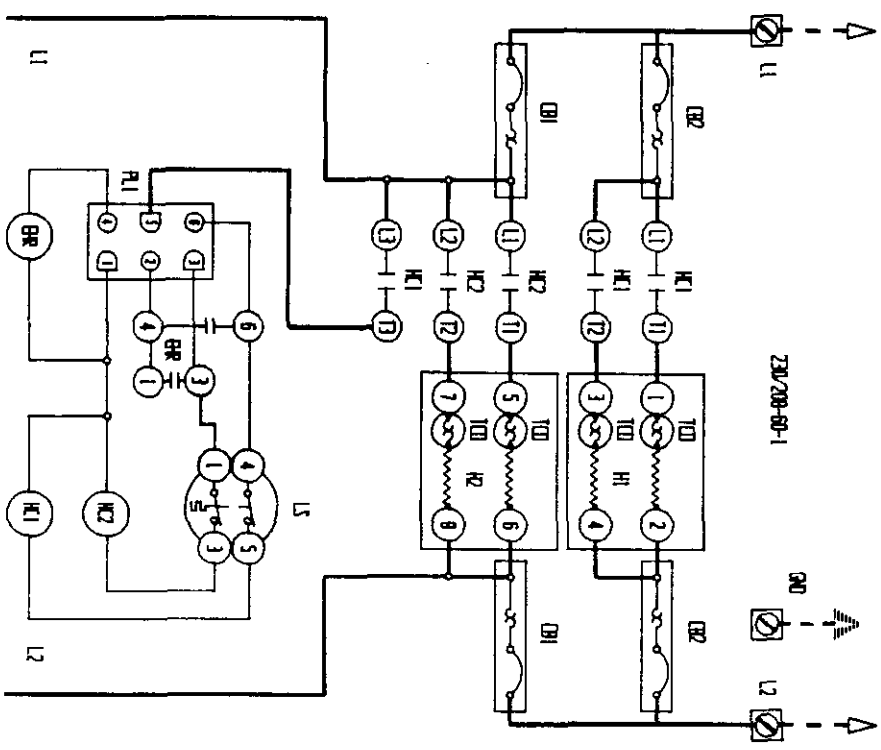
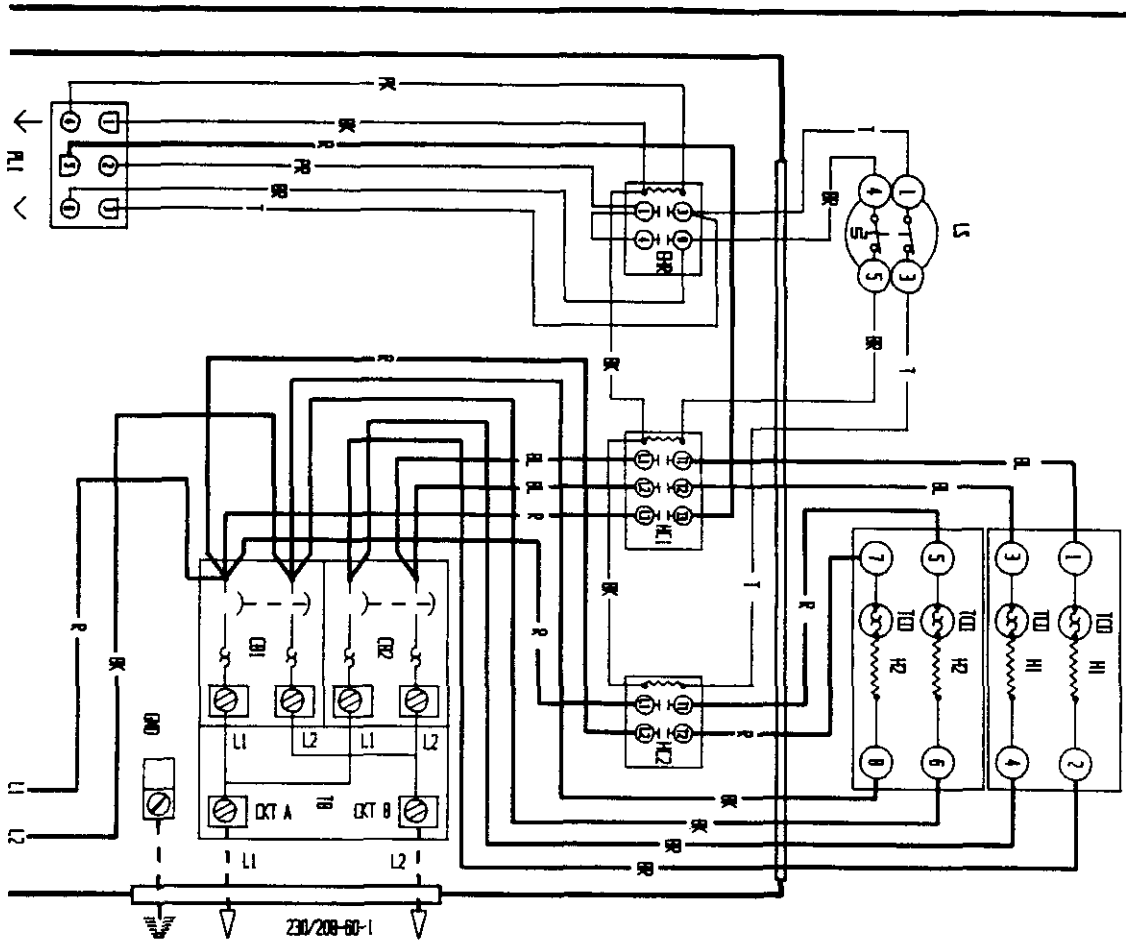


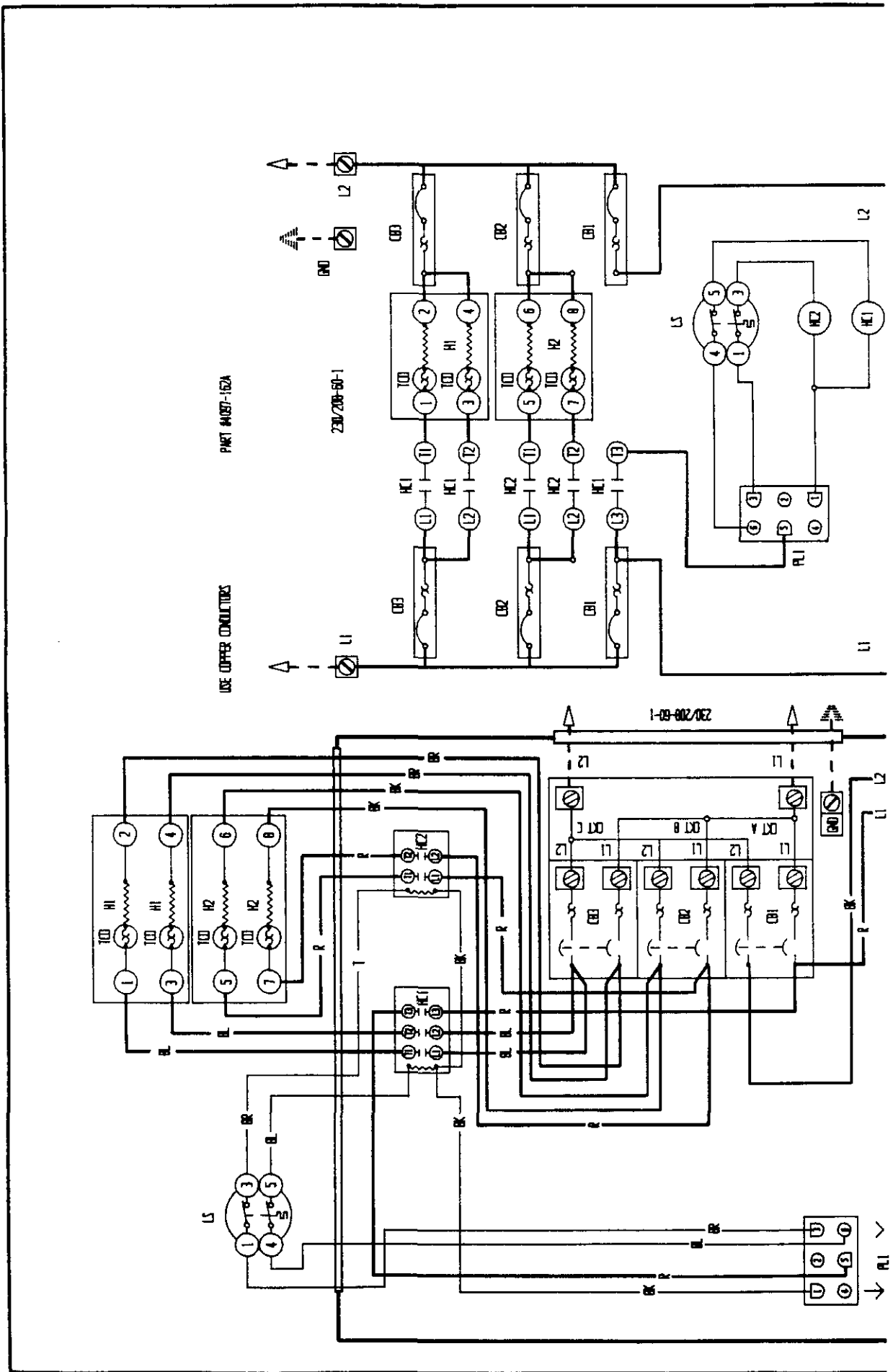
USE OTHER CONDUCTORS

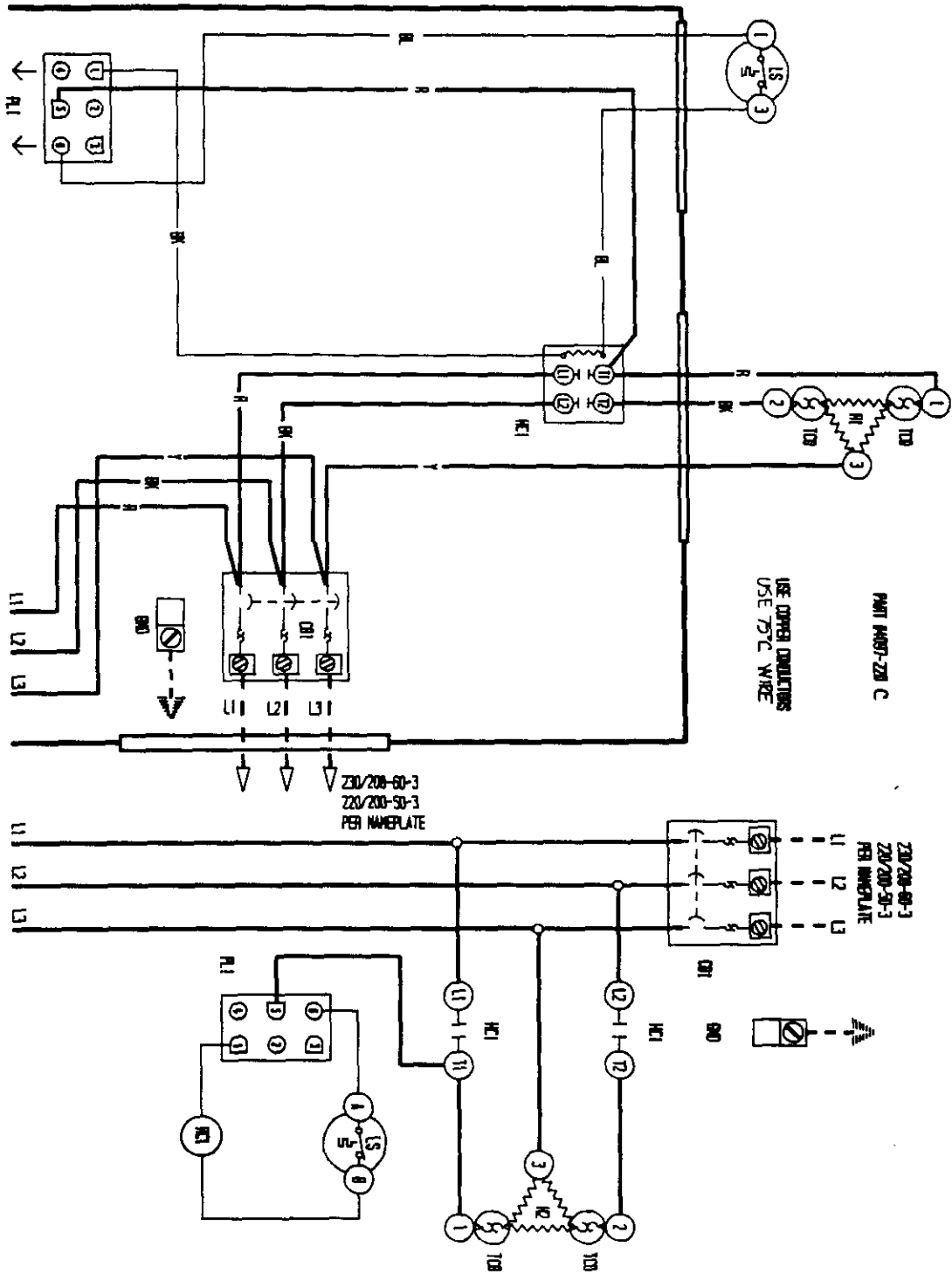


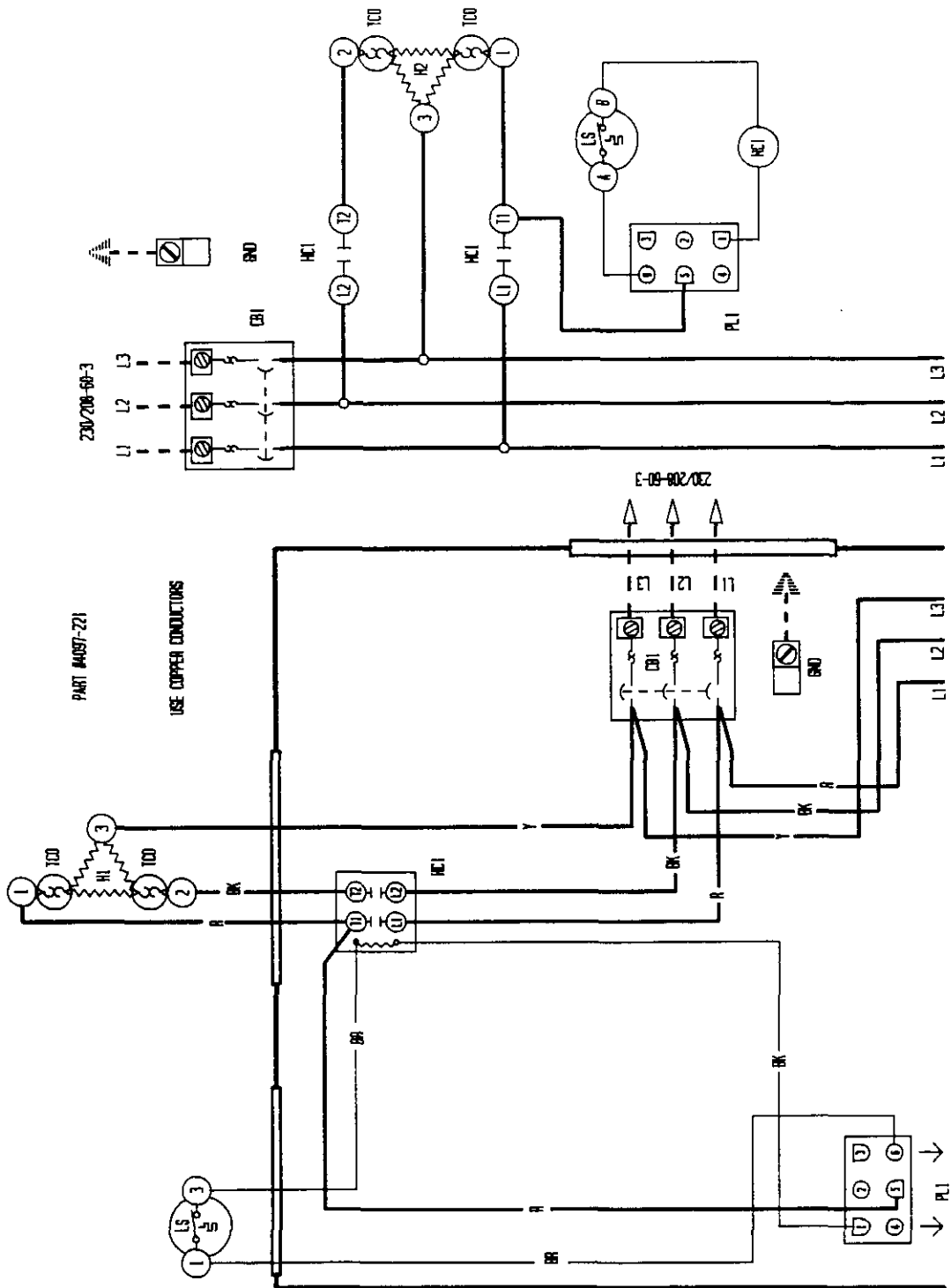
PART 1487-153  
Z3U/2R-8U-1

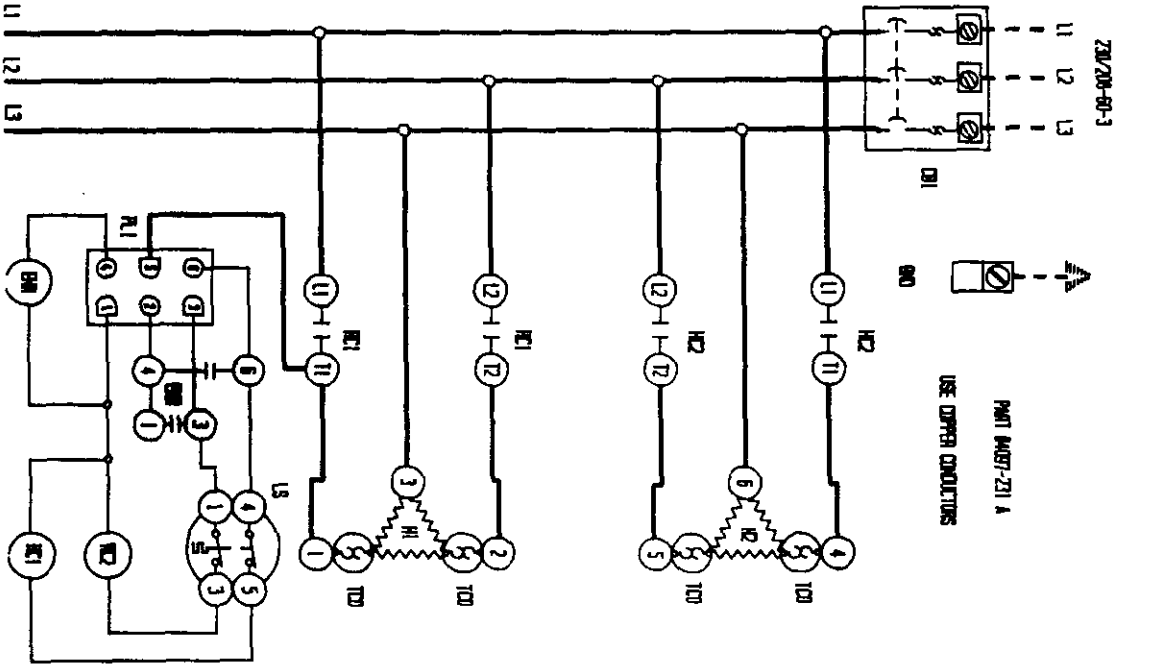
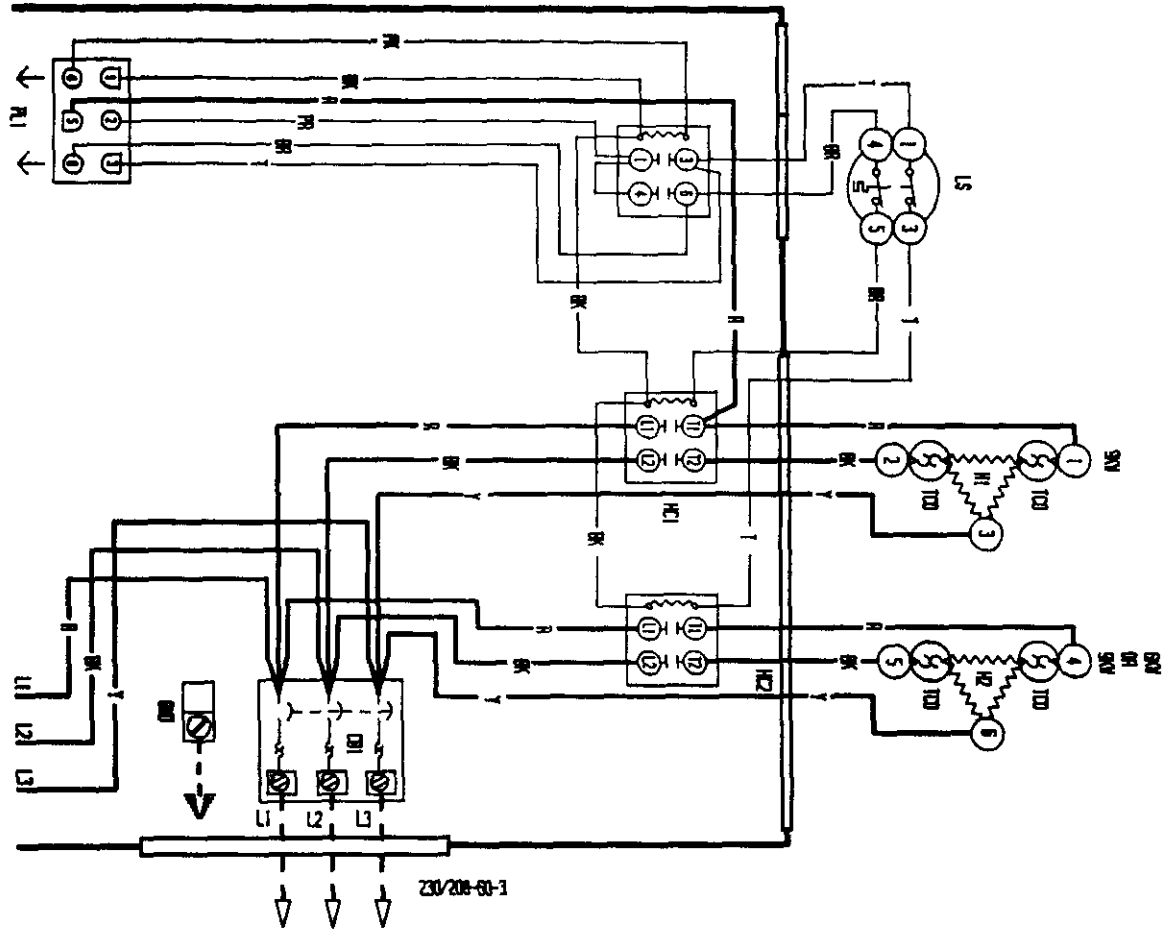




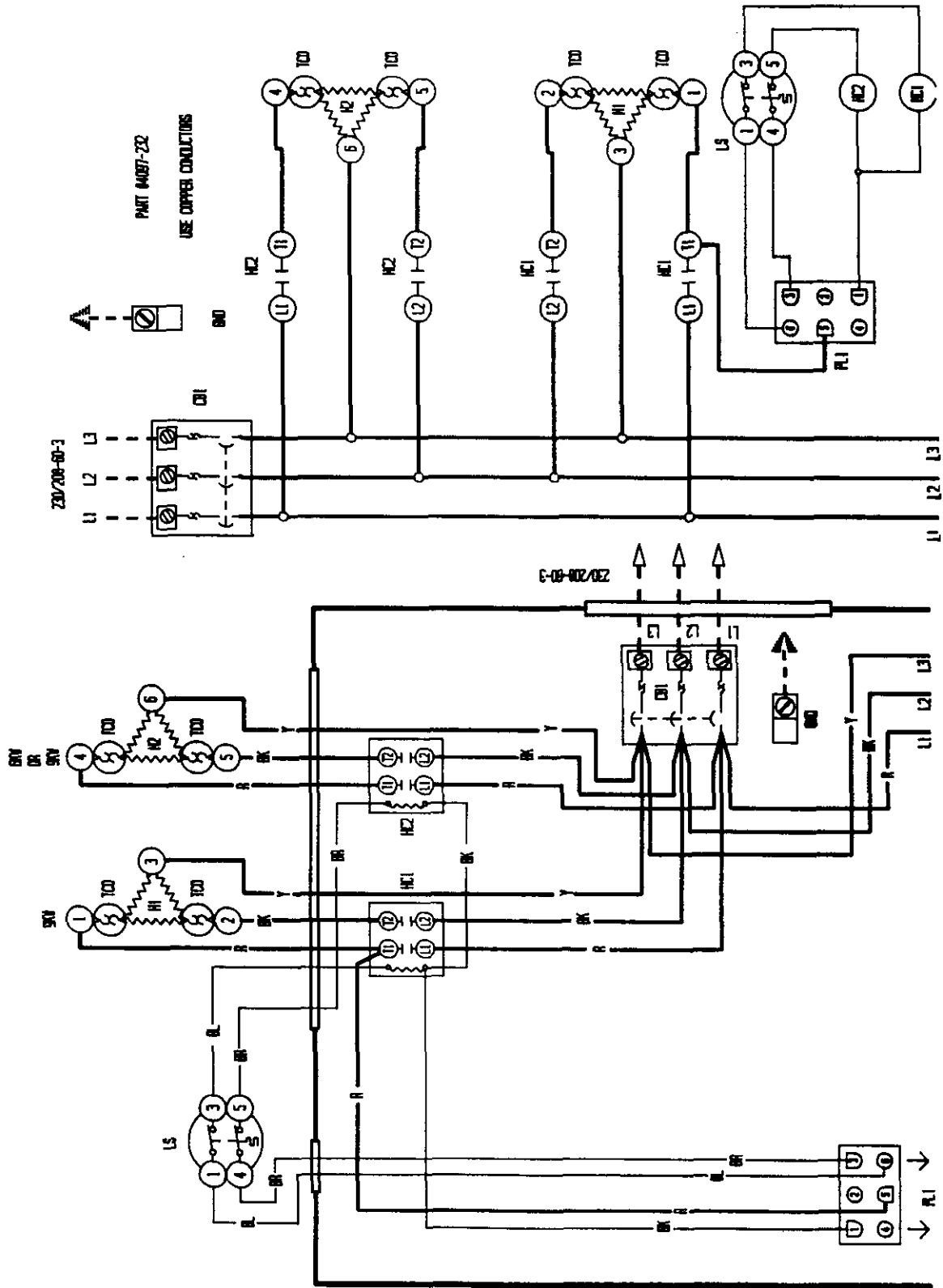


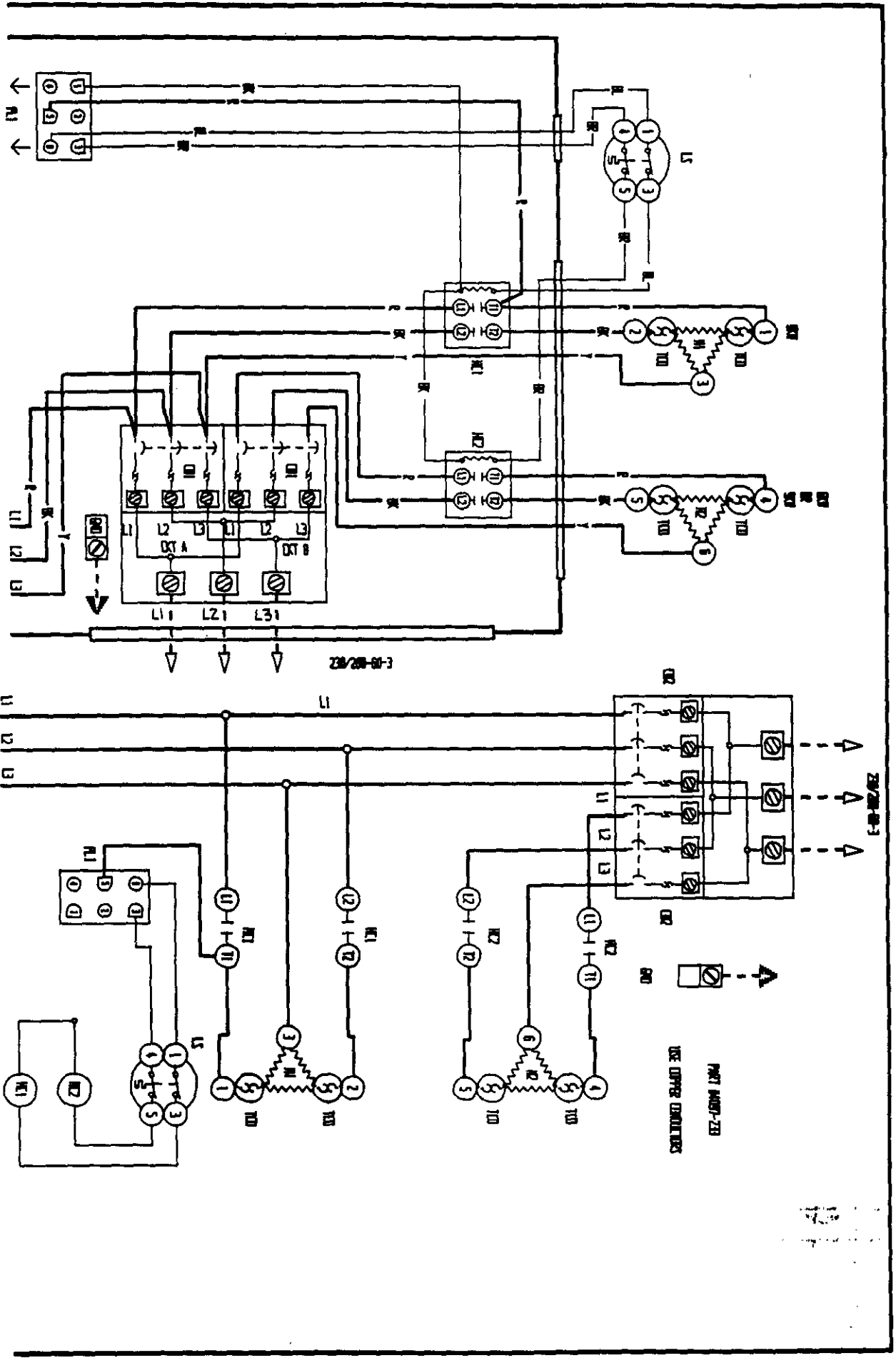


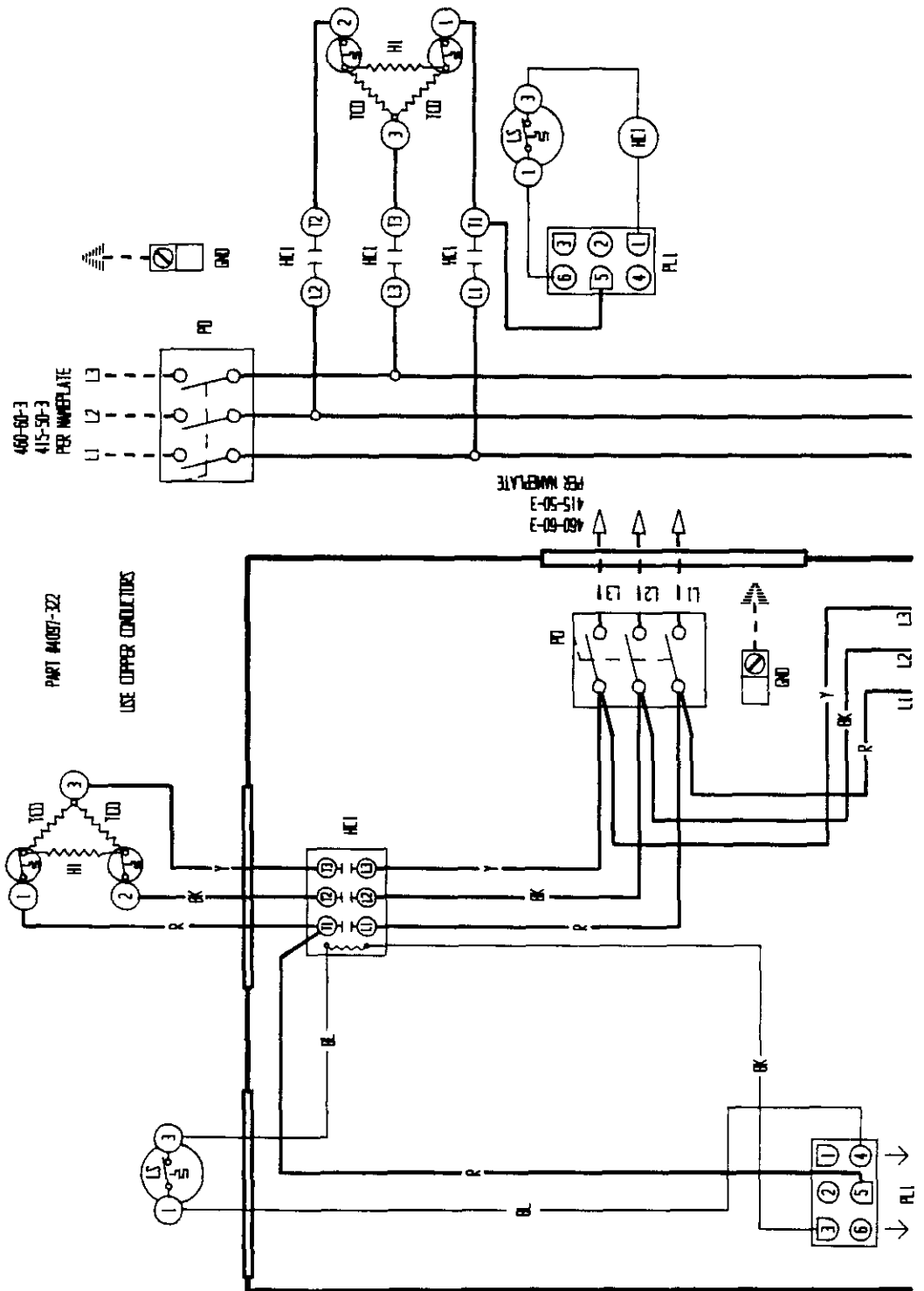


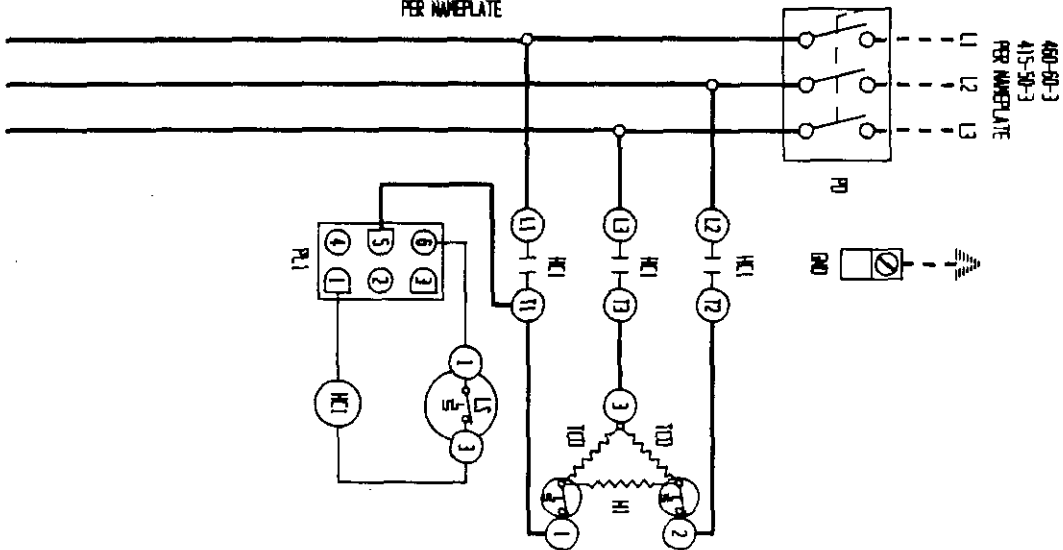
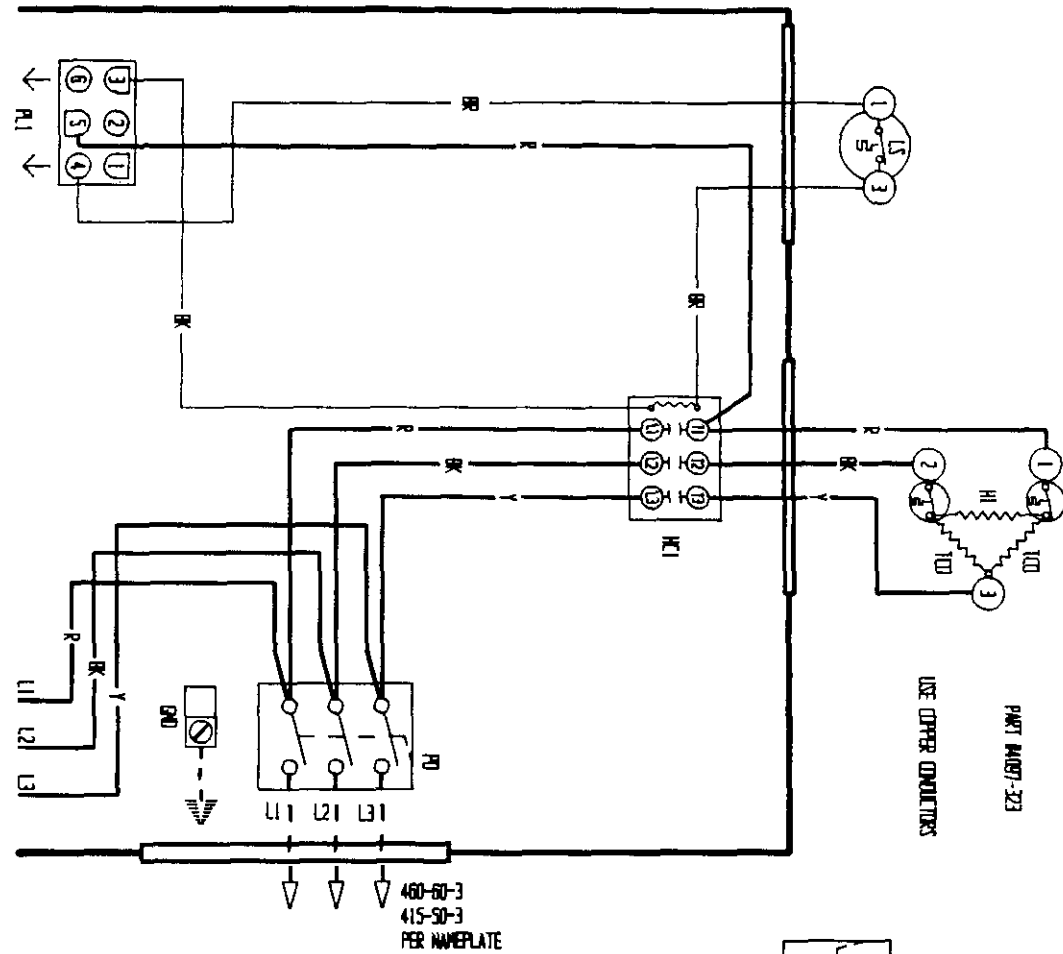


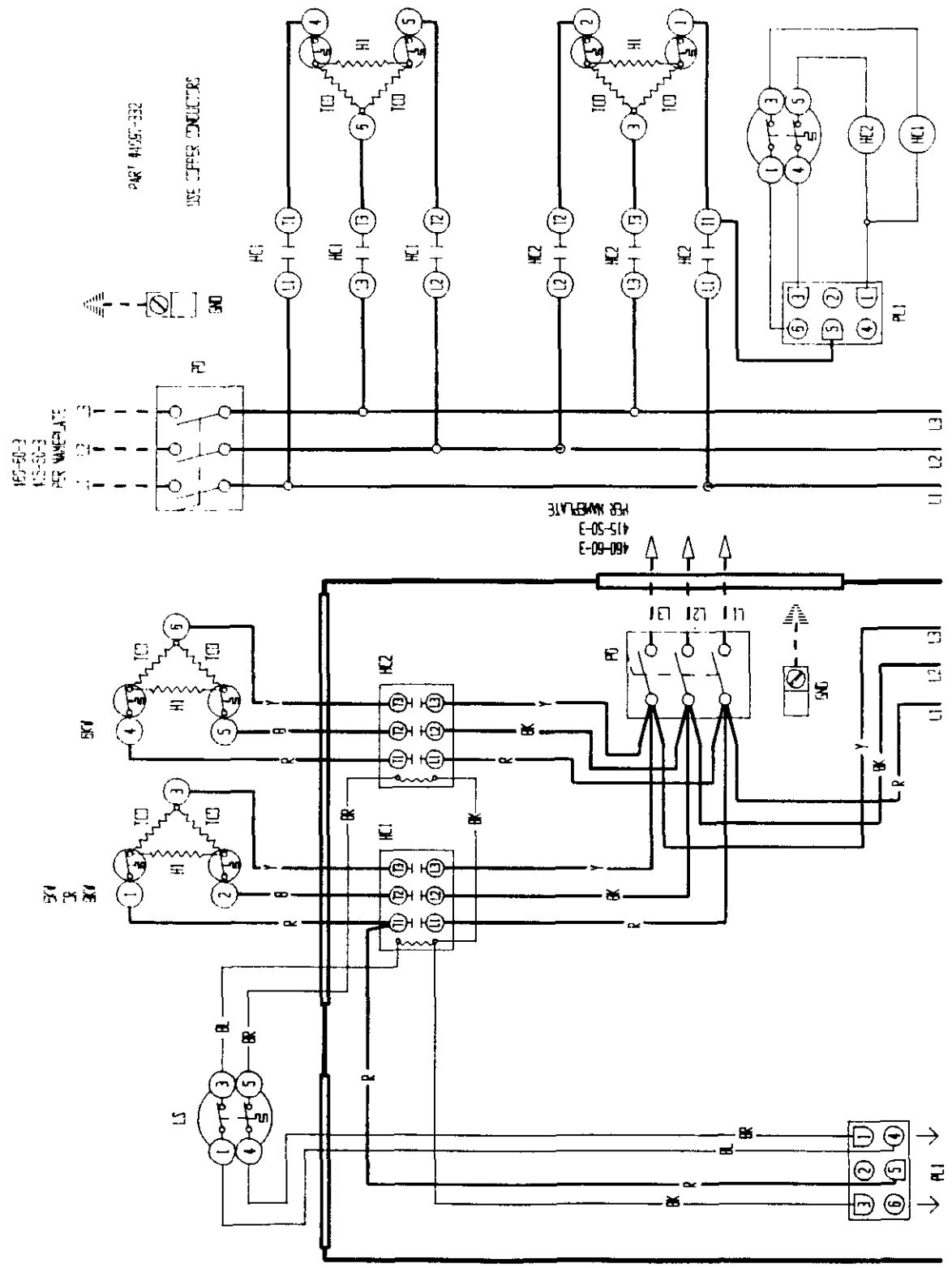


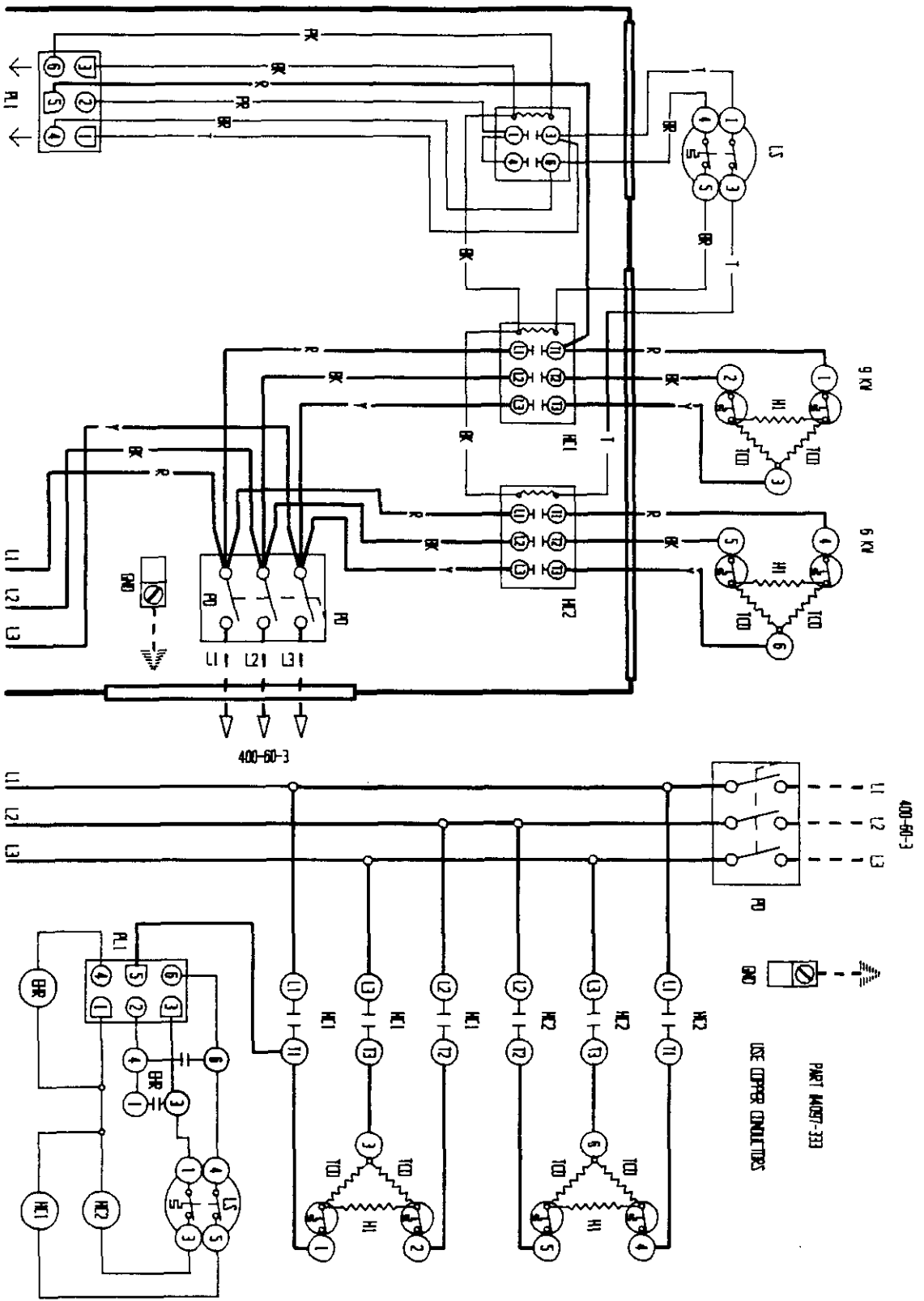












## Free Manuals Download Website

<http://myh66.com>

<http://usermanuals.us>

<http://www.somanuals.com>

<http://www.4manuals.cc>

<http://www.manual-lib.com>

<http://www.404manual.com>

<http://www.luxmanual.com>

<http://aubethermostatmanual.com>

Golf course search by state

<http://golfingnear.com>

Email search by domain

<http://emailbydomain.com>

Auto manuals search

<http://auto.somanuals.com>

TV manuals search

<http://tv.somanuals.com>