

---

# I-TEC SERIES PACKAGED HEAT PUMP

## INSTALLATION INSTRUCTIONS

### Models:

I30H1

I36H1

I42H1

I48H1

I60H1

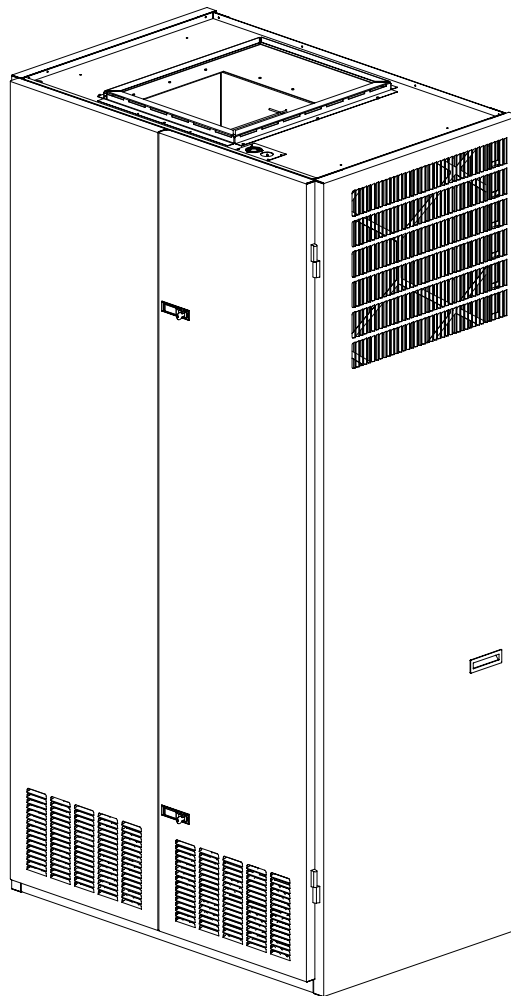
I30H1D

I36H1D

I42H1D

I48H1D

I60H1D



MIS-2957 A



Bard Manufacturing Company, Inc.  
Bryan, Ohio 43506

*Since 1914 . . . Moving ahead, just as planned.*

Manual: 2100-549G  
Supersedes: 2100-549F  
File: Vol. II Tab 14  
Date: 11-05-13

# CONTENTS

## Getting Other Information and Publications

|   |   |
|---|---|
| For more information, contact these publishers: ..... | 3 |
| General & ANSI Z535.5 Definitions .....               | 4 |

## I-TEC General Information

|  |    |
|--|----|
| I-TEC Model Nomenclature .....                         | 5  |
| Shipping Damage, Unit Removal From Skid .....          | 8  |
| Handling Unit After Removal From Skid .....            | 8  |
| Required Steps after Final Placement .....             | 9  |
| Minimum Installation Height .....                      | 9  |
| Securing Unit to Structure & Seismic Considerations .. | 9  |
| Duct Work, Supply Duct Connections & Filters .....     | 17 |
| Condensate Drain .....                                 | 18 |
| With No Vent Option and With CRV & ERV .....           | 18 |

## Installation Instructions

|  |    |
|--|----|
| Mounting the Unit & Wiring — Main Wiring .....     | 21 |
| Wiring—Low Volt. Wiring & Low Volt. Connections .. | 22 |

## Start Ups

|   |    |
|---|----|
| R-410A Refrigerant Required .....       | 30 |
| Topping Off System Charge .....         | 30 |
| Safety Practices .....                  | 30 |
| Description of Standard Equipment ..... | 31 |
| Important Installer Note .....          | 31 |
| Phase Monitor .....                     | 31 |
| Three Phase Scroll Compressor .....     | 31 |

## Figures

|   |         |
|---|---------|
| Figure 1 Unit Dimensions .....                                  | 7       |
| Figure 2A & 2B Unit on Lift & Unit Side .....                   | 8       |
| Wall Mounting Bracket Location .....                            | 9       |
| Bracket Wall Sect. View & Wood Framed Install .....             | 10      |
| Figure 3 Center of Gravity .....                                | 11      |
| Figure 4 Req. Clearances & Rec. Access .....                    | 12      |
| Figure 5 Compressor Shipping Bolts .....                        | 13      |
| Figure 6 Removal of Air Duct .....                              | 13      |
| Figure 7A Ducted Application .....                              | 14      |
| Figure 7B 3" Riser Application .....                            | 15      |
| Figure 7C 6" Riser Application .....                            | 16      |
| Figure 8 Supply Duct Connections .....                          | 17      |
| Figure 9 Filter Location .....                                  | 17      |
| Figure 10 Drain Locations .....                                 | 18      |
| Figures 11A & 11B Unit Mounting .....                           | 19 & 20 |
| Figure 12 Component Location .....                              | 21      |
| Figure 13 Basic Heat Pump w/No Vent Pkg. ....                   | 23      |
| Figure 14 HP w/CRV, without CO <sub>2</sub> Control .....       | 24      |
| Figure 15 HP with CRV & CO <sub>2</sub> Control .....           | 25      |
| Figure 16 HP with ERV, w/o CO <sub>2</sub> Control .....        | 26      |
| Figure 17 HP with ERV & CO <sub>2</sub> Control .....           | 27      |
| Figure 18 HP w/ERV & CO <sub>2</sub> Control (Fully Mod.) ..... | 28      |
| Figure 19 HP w/Comb. CRV & DB Econ. ("N" Vent) ..               | 29      |
| Figure 20 Defrost Cycle .....                                   | 33      |
| Figure 21 CRV Motor Speed/CFM Configuration .....               | 35      |
| Figure 22 CRV Speed Change Terminal Access .....                | 36      |
| Figure 23 Economizer Control Circuit .....                      | 38      |
| Figure 24 Motor Speed / CFM Configuration .....                 | 39      |
| Fig. 25A ERV Manual Mode "M" Terminal .....                     | 43      |
| Fig. 25B ERV Mod. Mode "P" Terminal .....                       | 43      |
| Figure 26 Ventilation Airflow Diagram .....                     | 44      |
| Figure 27 ERV Control Access .....                              | 45      |
| Figure 28 Control Board Config./Setting .....                   | 46      |

|  |    |
|--|----|
| Service Hints .....                        | 31 |
| Sequence of Operation .....                | 32 |
| Pressure Service Ports .....               | 32 |
| Lowering Outdoor Fan Speed for Sound ..... | 32 |
| Defrost Cycle .....                        | 33 |

## I-TEC Commercial Room Ventilator System

|   |    |
|---|----|
| Gen. Description, Control Wiring & Rec. Seq. .... | 34 |
| Setting the Ventilation CFM Levels .....          | 34 |

## I-TEC Comb. CRV & Economizer Vent System

|  |    |
|--|----|
| Description & Control Wiring .....       | 37 |
| Setting the Ventilation CFM Levels ..... | 37 |
| Economizer Seq. of Operation .....       | 38 |
| Heating & Vent Mode .....                | 39 |

## I-TEC Energy Recovery Ventilator System

|  |       |
|--|-------|
| General Description & Control Wiring .....         | 40    |
| Recommended Control Sequences .....                | 41    |
| Changing Ventilation CFM Rates in Manual Mode ..   | 41    |
| Changing to Fully Modulating Mode .....            | 41    |
| Configuring Control for ERV Mod. Control .....     | 47-48 |
| Maintenance (Gen., Frequency, Clean & Perform.) .. | 49-50 |

## Troubleshooting

|   |         |
|---|---------|
| Solid State HP Control Troubleshooting Procedure .. | 51      |
| Checking Temperature Sensor .....                   | 52      |
| Troubleshooting ECM™ 142R Motor .....               | 43 & 54 |
| Replacing the Motor .....                           | 54      |
| Troubleshooting Indoor ECM™ Motor .....             | 55-56   |
| Fan Blade Setting Dimensions .....                  | 57      |
| Refrigerant Charge .....                            | 57      |

## Figures (continued)

|  |    |
|--|----|
| Figure 29 Hub Assembly w/Ball Bearings ..... | 50 |
| Figure 30 Control Disassembly .....          | 56 |
| Figure 31 Winding Test .....                 | 56 |
| Figure 32 Drip Loop .....                    | 56 |
| Figure 33 Control Connector Motor Half ..... | 57 |

## Tables

|  |    |
|--|----|
| Table 1 Factory Built-In Electric Heat Table ..... | 5  |
| Table 1A Indoor Blower Performance .....           | 5  |
| Table 2 Elec. Specifications .....                 | 6  |
| Center of Gravity Reference Table .....            | 11 |
| Table 3 Operating Voltage Range .....              | 22 |
| Table 4 Wall Thermostats .....                     | 22 |
| Low Voltage Connections for DDC Control .....      | 22 |
| Performance & App. Data:                           |    |
| Summer Cooling & Winter Heating .....              | 42 |
| Table 5 Troubleshooting .....                      | 51 |
| Table 6 Temp. vs Resistance of Temp. Sensor .....  | 52 |
| Table 7 Troubleshooting ECM™ 142R .....            | 54 |
| Table 8 Cooling Mode .....                         | 54 |
| Table 9 Heat Pump Mode .....                       | 54 |
| Troubleshooting ECM™ Blower Motors .....           | 57 |
| Power Connector .....                              | 57 |
| Table 10A Pressures: Full Load Cooling .....       | 58 |
| Table 10B Pressures: Full Load Heating .....       | 58 |
| Table 11A Pressures: Part Load Cooling .....       | 59 |
| Table 11B Pressures: Part Load Heating .....       | 59 |

# GETTING OTHER INFORMATION AND PUBLICATIONS

---

These publications can help you install the air conditioner or heat pump. You can usually find these at your local library or purchase them directly from the publisher. Be sure to consult current edition of each standard.

National Electrical Code ..... ANSI/NFPA 70

Standard for the Installation ..... ANSI/NFPA 90A  
of Air Conditioning and Ventilating Systems

Standard for Warm Air ..... ANSI/NFPA 90B  
Heating and Air Conditioning Systems

Load Calculation for ..... ACCA Manual J or  
Winter and Summer Manual N  
Air Conditioning

Low Pressure, Low Velocity ..... ACCA Manual D or  
Duct System Design Manual Q  
Winter and Summer Air Conditioning

## FOR MORE INFORMATION, CONTACT THESE PUBLISHERS:

**ACCA Air Conditioning Contractors of America**  
1712 New Hampshire Avenue  
Washington, DC 20009  
Telephone: (202) 483-9370  
Fax: (202) 234-4721

**ANSI American National Standards Institute**  
11 West Street, 13th Floor  
New York, NY 10036  
Telephone: (212) 642-4900  
Fax: (212) 302-1286

**ASHRAE American Society of Heating, Refrigeration,  
and Air Conditioning Engineers, Inc.**  
1791 Tullie Circle, N.E.  
Atlanta, GA 30329-2305  
Telephone: (404) 636-8400  
Fax: (404) 321-5478

**NFPA National Fire Protection Association**  
Batterymarch Park  
P.O. Box 9101  
Quincy, MA 02269-9901  
Telephone: (800) 344-3555  
Fax: (617) 984-7057

## GENERAL

The equipment covered in this manual is to be installed by trained, experienced service and installation technicians.

*The I-TEC must be installed with the Bard manufactured IWS wall sleeve and ILG louver grille accessories. These are sold as separate accessories. Any substitutions will void the manufacturer's warranty.*

The unit is designed for use with or without ductwork. For use without ductwork, Plenum Box IPBDF8-color (8" height) or IPBDF12-color (12" height) is recommended.

These instructions explain the recommended method to install the air cooled self-contained unit and the electrical connections to it.

These instructions and any instructions packaged with any separate equipment required to make up the entire heating and air conditioning system should be carefully read before beginning the installation. Note particularly "Start Procedure" and any tags and/or labels attached to the equipment.

### ANSI Z535.5 Definitions:

- **Danger:** Indicate[s] a hazardous situation which, if not avoided, will result in death or serious injury. The signal word "DANGER" is to be limited to the most extreme situations. DANGER [signs] should not be used for property damage hazards unless personal injury risk appropriate to these levels is also involved.
- **Warning:** Indicate[s] a hazardous situation which, if not avoided, could result in death or serious injury. WARNING [signs] should not be used for property damage hazards unless personal injury risk appropriate to this level is also involved.
- **Caution:** Indicate[s] a hazardous situation which, if not avoided, could result in minor or moderate injury. CAUTION [signs] without a safety alert symbol may be used to alert against unsafe practices that can result in property damage only.
- **Notice:** [this header is] preferred to address practices not related to personal injury. The safety alert symbol shall not be used with this signal word. As an alternative to "NOTICE" the word "CAUTION" without the safety alert symbol may be used to indicate a message not related to personal injury.

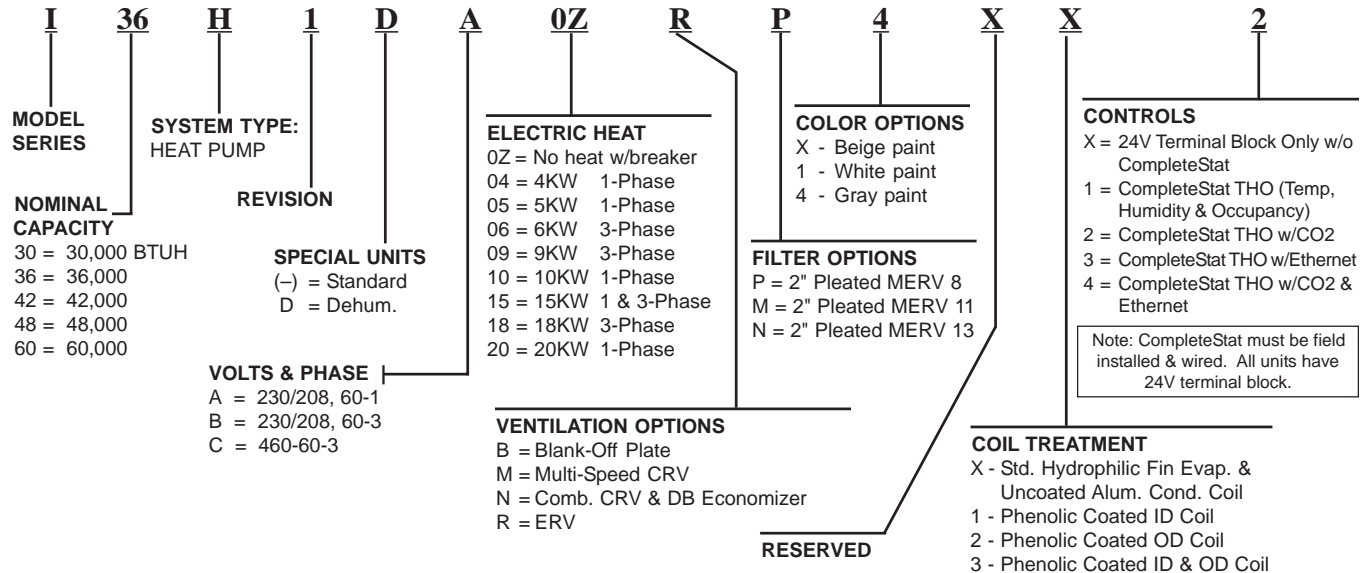
While these instructions are intended as a general recommended guide, they do not supersede any national and/or local codes in any way. Authorities having jurisdiction should be consulted before the installation is made. See Page 3 for information on codes and standards.

Size of unit for a proposed installation should be based on heat loss or heat gain calculation made according to methods of Air Conditioning Contractors of America (ACCA). The air duct should be installed in accordance with the Standards of the National Fire Protection Systems of Other Than Residence Type, NFPA No. 90A, and Residence Type Warm Air Heating and Air Conditioning Systems, NFPA No. 90B. Where local regulations are at a variance with instructions, installer should adhere to local codes.



# I-TEC Series General Information

## I-TEC MODEL NOMENCLATURE



**TABLE 1**  
**FACTORY BUILT-IN ELECTRIC HEAT TABLE**

| Models | I30H1-A |        | I30H1-B |        | I30H1-C | I36H1-A<br>I42H1-A |        | I36H1-B<br>I42H1-B |        | I36H1-C<br>I42H1-C |        | I48H1-A |        | I48H1-B<br>I60H1-B |        | I48H1-C<br>I60H1-C |        | I60H1-A |        |
|--------|---------|--------|---------|--------|---------|--------------------|--------|--------------------|--------|--------------------|--------|---------|--------|--------------------|--------|--------------------|--------|---------|--------|
|        | 240V-1  | 208V-1 | 240V-3  | 208V-3 | 460V-3  | 240V-1             | 208V-1 | 240V-3             | 208V-3 | 460V-3             | 240V-1 | 208V-1  | 240V-3 | 208V-3             | 460V-3 | 240V-1             | 208V-1 | 240V-3  | 208V-3 |
|        | BTUH    | BTUH   | BTUH    | BTUH   | BTUH    | BTUH               | BTUH   | BTUH               | BTUH   | BTUH               | BTUH   | BTUH    | BTUH   | BTUH               | BTUH   | BTUH               | BTUH   | BTUH    | BTUH   |
| 4.0    |         |        |         |        |         |                    |        |                    |        |                    | 13,652 | 10,239  |        |                    |        |                    |        |         |        |
| 5.0    | 17,065  | 12,799 |         |        |         | 17,065             | 12,799 |                    |        |                    | 17,065 | 12,799  |        |                    |        |                    |        | 17,065  | 12,799 |
| 6.0    |         |        | 20,478  | 15,359 | 20,478  |                    |        | 20,478             | 15,359 | 20,478             |        |         | 20,478 | 15,359             | 20,478 |                    |        |         |        |
| 9.0    |         |        | 30,717  | 23,038 | 30,717  |                    |        | 30,717             | 23,038 | 30,717             |        |         | 30,717 | 23,038             | 30,717 |                    |        |         |        |
| 10.0   | 34,130  | 25,598 |         |        |         | 34,130             | 25,598 |                    |        |                    | 34,130 | 25,598  |        |                    |        | 34,130             | 25,598 |         |        |
| 15.0   |         |        |         |        |         | 51,195             | 38,396 | 51,195             | 38,396 | 51,195             | 51,195 | 38,396  | 51,195 | 38,396             | 51,195 | 51,195             | 38,396 | 51,195  | 38,396 |
| 18.0   |         |        |         |        |         |                    |        |                    |        |                    |        |         | 61,434 | 46,076             | 61,434 |                    |        |         |        |
| 20.0   |         |        |         |        |         |                    |        |                    |        |                    | 68,260 | 51,195  |        |                    |        | 68,260             | 51,195 |         |        |

**TABLE 1A**  
**INDOOR BLOWER PERFORMANCE ①**

| Model | Rated ESP | Max. ESP | ② Continuous CFM | Rated 2nd Stage CFM | Rated 1st Stage CFM | ③ 5 - 9 KW CFM | ④ 13.5 - 18 KW CFM |
|-------|-----------|----------|------------------|---------------------|---------------------|----------------|--------------------|
| I30H1 | .15       | 0.50     | 500              | 900                 | 650                 | 700            | 1400               |
| I36H1 | .15       | 0.50     | 600              | 1150                | 850                 | 700            | 1400               |
| I42H1 | .20       | 0.50     | 650              | 1300                | 950                 | 700            | 1400               |
| I48H1 | .20       | 0.50     | 725              | 1500                | 1050                | 700            | 1400               |
| I60H1 | .20       | 0.50     | 850              | 1700                | 1200                | 700            | 1400               |

① Motor will deliver consistent CFM through voltage supply range with no deterioration.

② Continuous fan CFM is the total air being circulated during continuous fan mode.

③ Will operate at rated Full Load Airflow when operating with Heat Pump.

④ Will occur automatically with a call for "W3" or "Emergency Heat" signal from the thermostat (Heat Pump Operation is terminated at this condition).

**TABLE 2  
ELECTRICAL SPECIFICATIONS**

| Model  | Rated Volts, Hertz and Phase | No. Field Power Circuits                       | Single Circuit                    |                                     |                            |                              | Dual Circuit             |                      |                                       |                      |                       |                        |                            |                            |
|--|------------------------------|--|-----------------------------------|-------------------------------------|----------------------------|------------------------------|--------------------------|----------------------|---------------------------------------|----------------------|-----------------------|------------------------|----------------------------|----------------------------|
|  |                              |  | Minimum Circuit Ampacity          | Maximum External Fuse or Ckt. Brkr. | Field Power Wire Size      | Ground Wire                  | Minimum Circuit Ampacity |                      | Maximum External Fuse or Ckt. Breaker |                      | Field Power Wire Size |                        | Ground Wire                |                            |
|  |                              |  |                                   |                                     |                            |                              | Ckt. A                   | Ckt. B               | Ckt. A                                | Ckt. B               | Ckt. A                | Ckt. B                 | Ckt. A                     | Ckt. B                     |
| I30HI-A0Z<br>A05<br>A10                          | 230/208-1                    | 1<br>1<br>1 or 2                               | 22<br>48<br>74                    | 35<br>50<br>80                      | 8<br>8<br>4                | 10<br>10<br>8                | 48                       | 30                   | 50                                    | 30                   | 8                     | 10                     | 10                         | 10                         |
| I30HI-B0Z<br>B06<br>B09                          | 230/208-3                    | 1<br>1<br>1                                    | 17<br>35<br>44                    | 25<br>35<br>45                      | 10<br>8<br>8               | 10<br>10<br>10               |                          |                      |                                       |                      |                       |                        |                            |                            |
| I30HI-C0Z<br>C06<br>C09                          | 460-3                        | 1<br>1<br>1                                    | 9<br>18<br>22                     | 10<br>20<br>25                      | 14<br>12<br>10             | 14<br>12<br>10               |                          |                      |                                       |                      |                       |                        |                            |                            |
| I36HI-A0Z<br>A05<br>A10<br>① A15                 | 230/208-1                    | 1<br>1<br>1 or 2<br>1 or 2                     | 26<br>52<br>78<br>84              | 40<br>60<br>80<br>90                | 8<br>6<br>4<br>4           | 10<br>10<br>8<br>8           | 26<br>26                 | 52<br>52             | 40<br>40                              | 60<br>60             | 8<br>8                | 6<br>6                 | 10<br>10                   | 10<br>10                   |
| I36HI-B0Z<br>B06<br>B09<br>① B15                 | 230/208-3                    | 1<br>1<br>1<br>1                               | 22<br>40<br>49<br>51              | 30<br>45<br>50<br>60                | 10<br>8<br>8<br>6          | 10<br>10<br>10<br>10         |                          |                      |                                       |                      |                       |                        |                            |                            |
| I36HI-C0Z<br>C06<br>C09<br>① C15                 | 460-3                        | 1<br>1<br>1<br>1                               | 11<br>20<br>24<br>28              | 15<br>20<br>25<br>30                | 14<br>12<br>10<br>10       | 14<br>12<br>10<br>10         |                          |                      |                                       |                      |                       |                        |                            |                            |
| I42HI-A0Z<br>A05<br>A10<br>① A15                 | 230/208-1                    | 1<br>1<br>1 or 2<br>1 or 2                     | 30<br>56<br>82<br>82              | 45<br>60<br>90<br>90                | 8<br>6<br>4<br>4           | 10<br>10<br>8<br>8           | 56<br>56                 | 26<br>52             | 60<br>60                              | 30<br>60             | 6<br>6                | 10<br>6                | 10<br>10                   | 10<br>10                   |
| I42HI-B0Z<br>B06<br>B09<br>① B15                 | 230/208-3                    | 1<br>1<br>1<br>1                               | 25<br>43<br>52<br>52              | 35<br>50<br>60<br>60                | 8<br>8<br>6<br>6           | 10<br>10<br>10<br>10         |                          |                      |                                       |                      |                       |                        |                            |                            |
| I42HI-C0Z<br>C06<br>C09<br>① C15                 | 460-3                        | 1<br>1<br>1<br>1                               | 12<br>21<br>26<br>28              | 15<br>25<br>30<br>30                | 14<br>10<br>10<br>10       | 14<br>10<br>10<br>10         |                          |                      |                                       |                      |                       |                        |                            |                            |
| I48HI-A0Z<br>A04<br>A05<br>A10<br>① A15<br>① A20 | 230/208-1                    | 1<br>1<br>1 or 2<br>1 or 2<br>1 or 2<br>1 or 2 | 34<br>54<br>59<br>85<br>85<br>110 | 50<br>60<br>70<br>90<br>90<br>110   | 8<br>6<br>6<br>3<br>3<br>2 | 10<br>10<br>8<br>8<br>8<br>6 | 35<br>35<br>35<br>59     | 26<br>52<br>52<br>52 | 45<br>45<br>45<br>60                  | 30<br>60<br>60<br>60 | 8<br>8<br>8<br>6<br>6 | 10<br>6<br>6<br>6<br>6 | 10<br>10<br>10<br>10<br>10 | 10<br>10<br>10<br>10<br>10 |
| I48HI-B0Z<br>B06<br>B09<br>① B15<br>① B18        | 230/208-3                    | 1<br>1<br>1<br>1<br>1                          | 26<br>44<br>53<br>53<br>53        | 35<br>50<br>60<br>60<br>60          | 8<br>8<br>6<br>6<br>6      | 10<br>10<br>10<br>10<br>10   |                          |                      |                                       |                      |                       |                        |                            |                            |
| I48HI-C0Z<br>C06<br>C09<br>① C15<br>① C18        | 460-3                        | 1<br>1<br>1<br>1<br>1                          | 15<br>25<br>29<br>29<br>29        | 20<br>30<br>30<br>30<br>30          | 12<br>10<br>10<br>10<br>10 | 12<br>10<br>10<br>10<br>10   |                          |                      |                                       |                      |                       |                        |                            |                            |
| I60HI-A0Z<br>A05<br>A10<br>① A15<br>① A20        | 230/208-1                    | 1<br>1 or 2<br>1 or 2<br>1 or 2<br>1 or 2      | 44<br>70<br>96<br>96<br>112       | 60<br>80<br>100<br>100<br>120       | 8<br>4<br>3<br>3<br>2      | 10<br>8<br>8<br>8<br>6       | 44<br>44<br>44<br>60     | 26<br>52<br>52<br>52 | 60<br>60<br>60<br>60                  | 30<br>60<br>60<br>60 | 8<br>8<br>8<br>6<br>6 | 10<br>6<br>6<br>6<br>6 | 10<br>10<br>10<br>10<br>10 | 10<br>10<br>10<br>10<br>10 |
| I60HI-B0Z<br>B06<br>B09<br>① B15<br>① B18        | 230/208-3                    | 1<br>1<br>1<br>1<br>1 or 2                     | 31<br>49<br>58<br>58<br>63        | 45<br>60<br>60<br>60<br>70          | 8<br>8<br>6<br>6<br>6      | 10<br>10<br>10<br>10<br>8    | 31                       | 54                   | 45                                    | 60                   | 8                     | 6                      | 10                         | 10                         |
| I60HI-C0Z<br>C06<br>C09<br>① C15<br>① C18        | 460-3                        | 1<br>1<br>1<br>1<br>1                          | 15<br>25<br>29<br>29<br>29        | 20<br>30<br>30<br>30<br>30          | 12<br>10<br>10<br>10<br>10 | 12<br>10<br>10<br>10<br>10   |                          |                      |                                       |                      |                       |                        |                            |                            |

These "Minimum Circuit Ampacity" values are to be used for sizing the field power conductors. Refer to the National Electric Code (latest revision), article 310 for power conductor sizing.

**Caution:** When more than one field power conductor circuit is run through one conduit, the conductors must be derated. Pay special attention to note 8 of table 310 regarding Ampacity Adjustment Factors when more than three conductors are in a raceway.

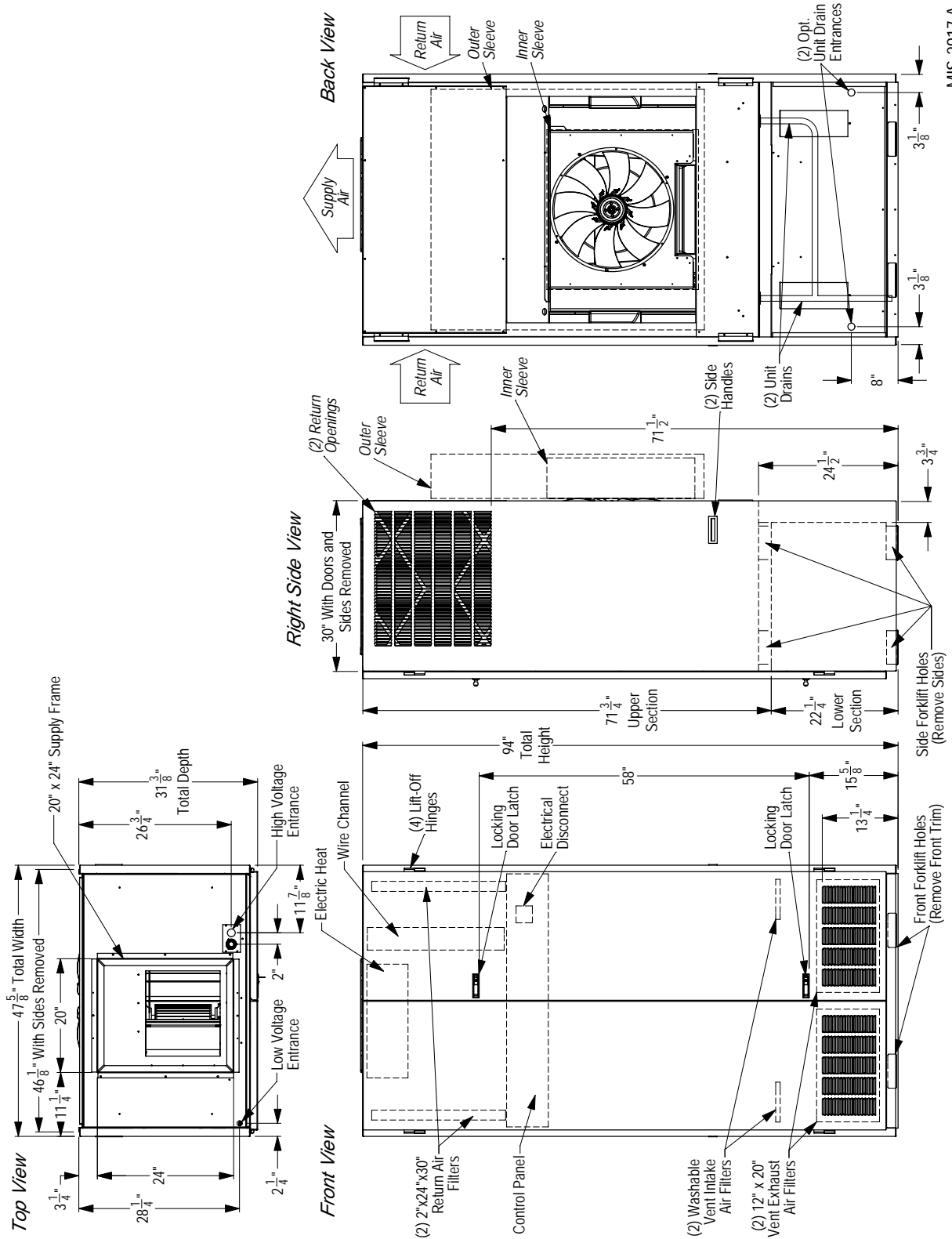
Maximum size of the time delay fuse or HACR type circuit breaker for protection of field wiring conductors.

Based on 75°C copper wire. All wiring must conform to the National Electrical Code and all local codes.

Maximum KW that can operate with heat pump on is 10KW for 1-Phase and 9KW for 3-Phase.

① Represents Electric Heat Only. Electrical Control Circuit will lockout Heat Pump Operation.

**FIGURE 1  
UNIT DIMENSIONS**



MIS-2917 A



## SHIPPING DAMAGE

Upon receipt of equipment, the unit should be checked for external signs of shipping damage. The skid must remain attached until the unit is ready for installation. If damage is found, the receiving party must contact the last carrier immediately, preferably in writing, requesting inspection by the carrier's agent.

## UNIT REMOVAL FROM SKID



# WARNING

***This unit is heavy and requires more than one person to handle during installation and removal from the skid. Extreme caution must be taken to prevent injury to personnel and damage to the unit. Use appropriate safety equipment, including gloves when handling. Failure to do so may result in serious injury.***

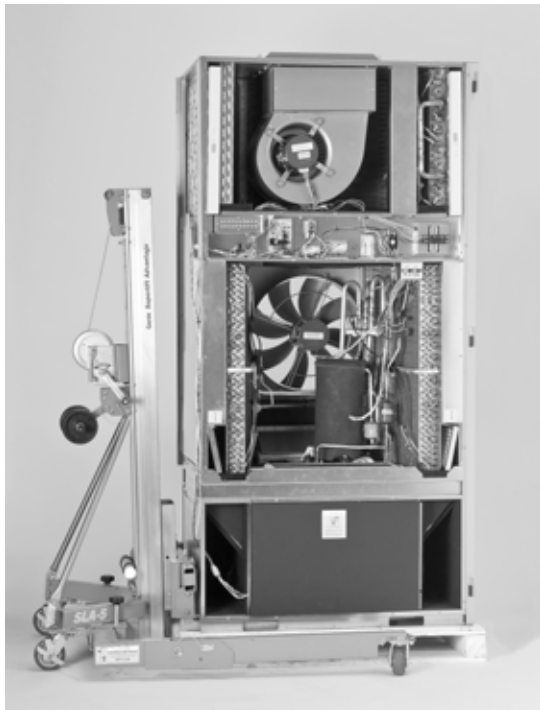
A forklift or a lift rated for the load (Figure 2A) is required to lift the unit off from the skid. This unit is top heavy and should never be tipped while moving it.

The I-TEC is designed to be lifted off the skid from the front or rear of the unit without having to remove any doors or side panels. See Figure 1 for fork openings. The shipping brackets on front and rear of the unit must be removed and discarded. The unit can now be lifted straight up and the skid can be slid out from underneath.

# CAUTION

***Tip unit from left side only.  
Failure to do so may result in injury due to unit top-heaviness or compressor damage!***

FIGURE 2A — UNIT ON LIFT

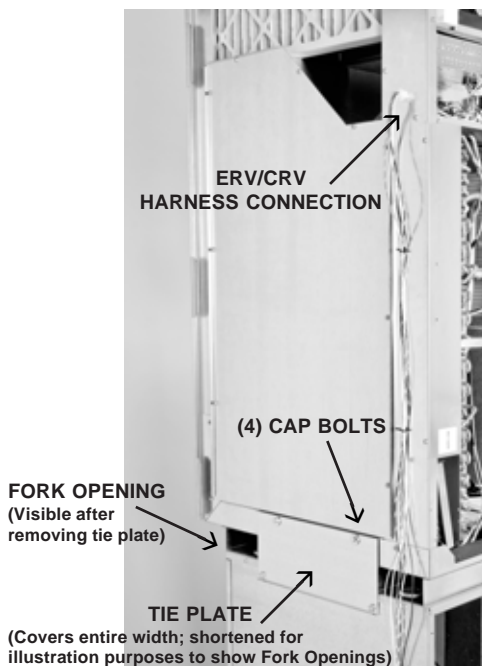


## HANDLING UNIT AFTER REMOVAL FROM SKID

If a wide and tall enough opening exists, the I-TEC can be moved as a complete assembled unit. If not, it is designed to break down into two sections to allow it to pass through a 36 inch wide door.

1. Depress & release both top & bottom door latches and open doors.
2. Remove the doors by lifting straight up and off from the hinge pins.
3. Remove cabinet sides by first removing the four (4) sheet metal screws from the front (leading edge) of the side panel. The panel will not fall off. Swing the panel away from the chassis 20 to 30 degrees & then pull forward from the two (2) tabs supporting the rear edge.
4. On each side of the unit is a tie plate that secures the top and bottom sections with four (4) cap bolts. Using a 1/2 inch wrench or socket, remove these screws from both plates and set aside.
5. If the unit is equipped with a CRV or ERV, you must unplug the wire harness on the left-hand side of the control box.
6. ***A forklift or a lift rated for the load is required to lift the top section off from the bottom base. Do not attempt to do this manually. Failure to do so could result in the unit tipping over & causing bodily injury and/or damage to the unit.***
7. The top section can be forked from either the RH or LH side. See Figure 1 for fork openings.
8. Carefully lift the top section straight up avoiding tipping.
9. Move the top section through the doorway and place on flat surface free of debris.
10. The bottom base can now be moved through the doorway the same way.
11. Reassemble the unit by reversing this procedure.

FIGURE 2B UNIT SIDE





## REQUIRED STEPS AFTER FINAL PLACEMENT

The compressor is secured to the base with two (2) bolts for shipping. Although the unit will perform as designed with the shipping bolts in place, there may be a noticeable additional noise and vibration noted. To obtain the lowest noise and vibration levels, remove the shipping bolts after the unit is in its final operating location. To gain access to the compressor, the compressor access panel must be removed (Figure 9). Once this panel is removed, the CRV/ERV air duct must be removed. See Figure 6.

The air duct is removed by pulling it straight toward you; there are no screws securing it in place. Both the top and bottom slide toward you at the same time (*pull hard*). Once removed, the compressor is visible as well as the tags on the shipping bolts (Figure 5).

After the compressor shipping bolts have been removed, the CRV/ERV air duct can be slid back in place and the compressor access panel attached.

## MINIMUM INSTALLATION HEIGHT

The minimum installation height to the bottom of the roof or fixed ceiling for ducted applications is 9 ft. 7 in. This provides enough clearance to install the duct work. See Figure 7A.

The IWS Series wall sleeve has a built-in vertical adjustment to fit window sill heights from 31-34 inches. If additional height is required, two riser platform accessories are available. The IRP3 increases the unit height by 3 inches (Figure 7B) and the IRP6 by 6 inches (Figure 7C).

Several construction options are available for unit installation of the IZ Series. Serviceability and filter access must be considered before installing. See Figure 5D for required clearances and recommended service access dimensions.

## SECURING UNIT TO STRUCTURE

Shipped with the I-TEC unit is a wall mounting bracket (screwed to shipping skid on backside of unit). This bracket can be utilized to secure the top portion of the unit to the wall using the appropriate field supplied hardware based upon the material you are fastening to. (*There are several offset holes, sized to accept up to a 1/4" diameter fastener that will easily allow you to hit studs on a framed wall.*) See **BRACKET SECTION VIEW** for locating this top wall bracket which will need to be applied after the unit is located in the final position.

Additional/optional mounting holes for up to a 3/8" diameter fastener are also available in the backside of the unit. These can be accessed by:

- removing the air filters for the uppermost set
- removing the compressor section service door for the lower set

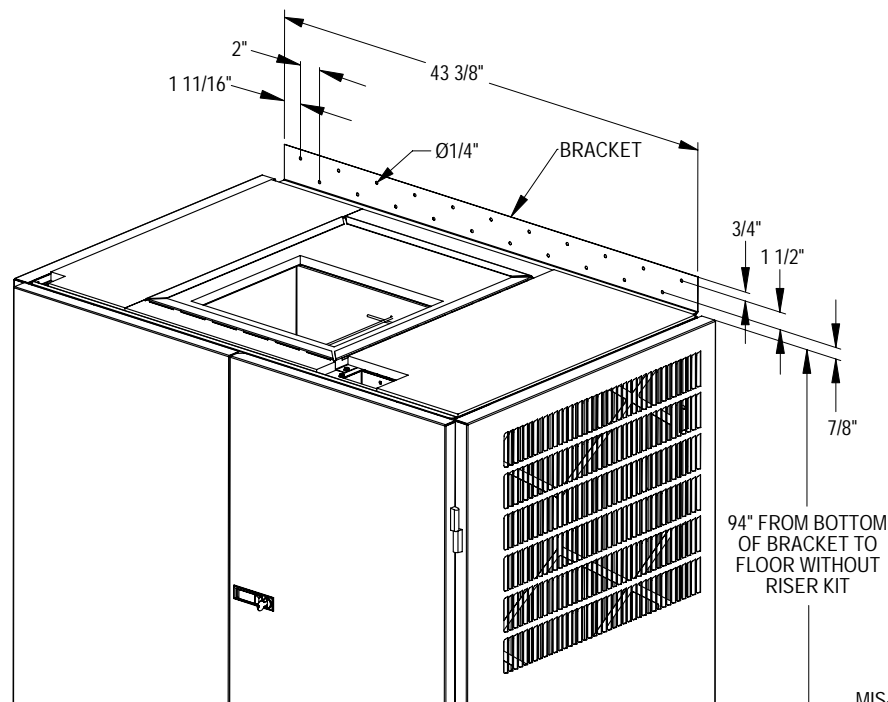
Refer to **WOOD FRAMED INSTALLATION** for additional framing required to secure unit to wall.

*The additional/optional mounting holes will require a long extension to drive the fasteners.*

## SEISMIC CONSIDERATIONS

The I-TEC product features several locations for product securement but all site conditions are different. Consult with a licensed Seismic Engineer to advise of particular needs when attaching the I-TEC unit to the structure.

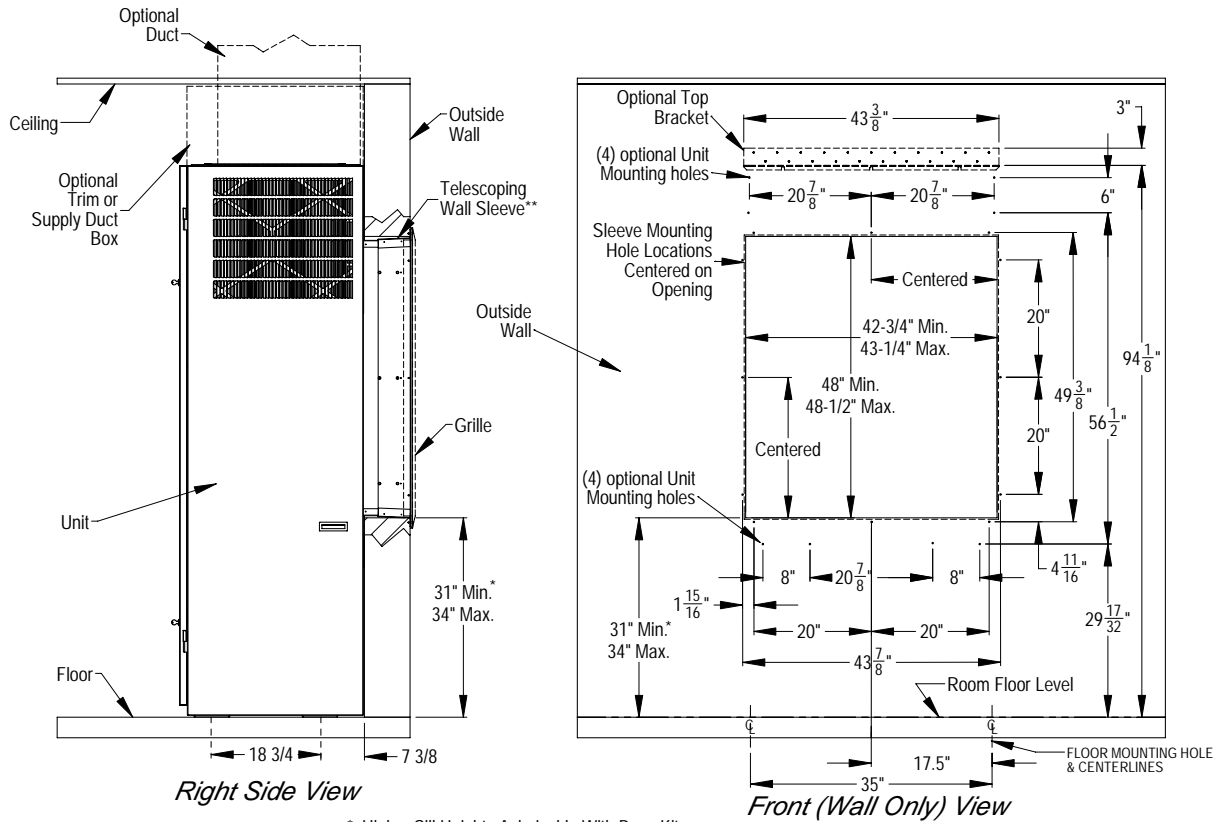
### WALL MOUNTING BRACKET LOCATION



MIS-3029

Manual 2100-549G  
Page 9 of 59

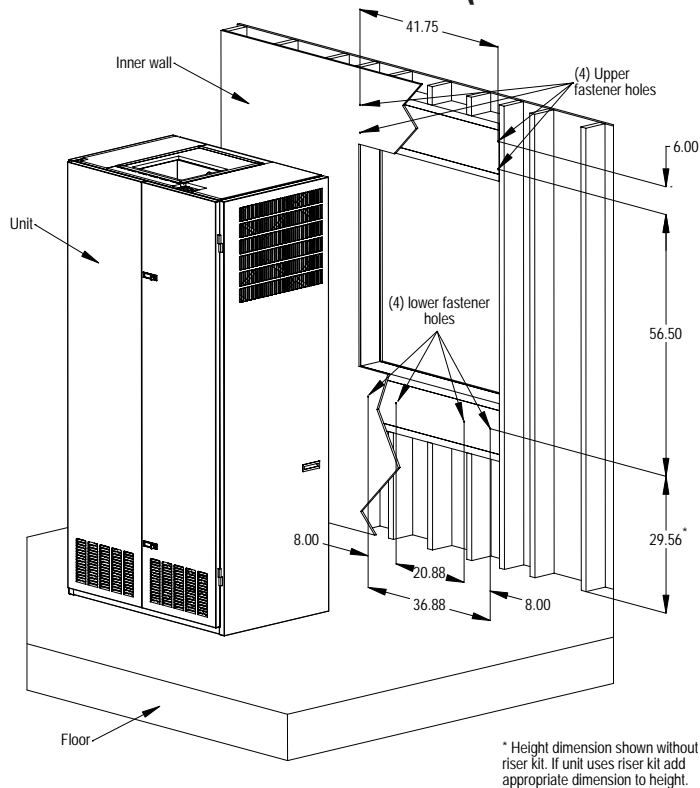
## BRACKET WALL SECTION VIEW



\* Higher Sill Heights Achievable With Base Kit.  
 \*\* Separate telescoping sleeves available for different wall thicknesses.

MIS-2918 C

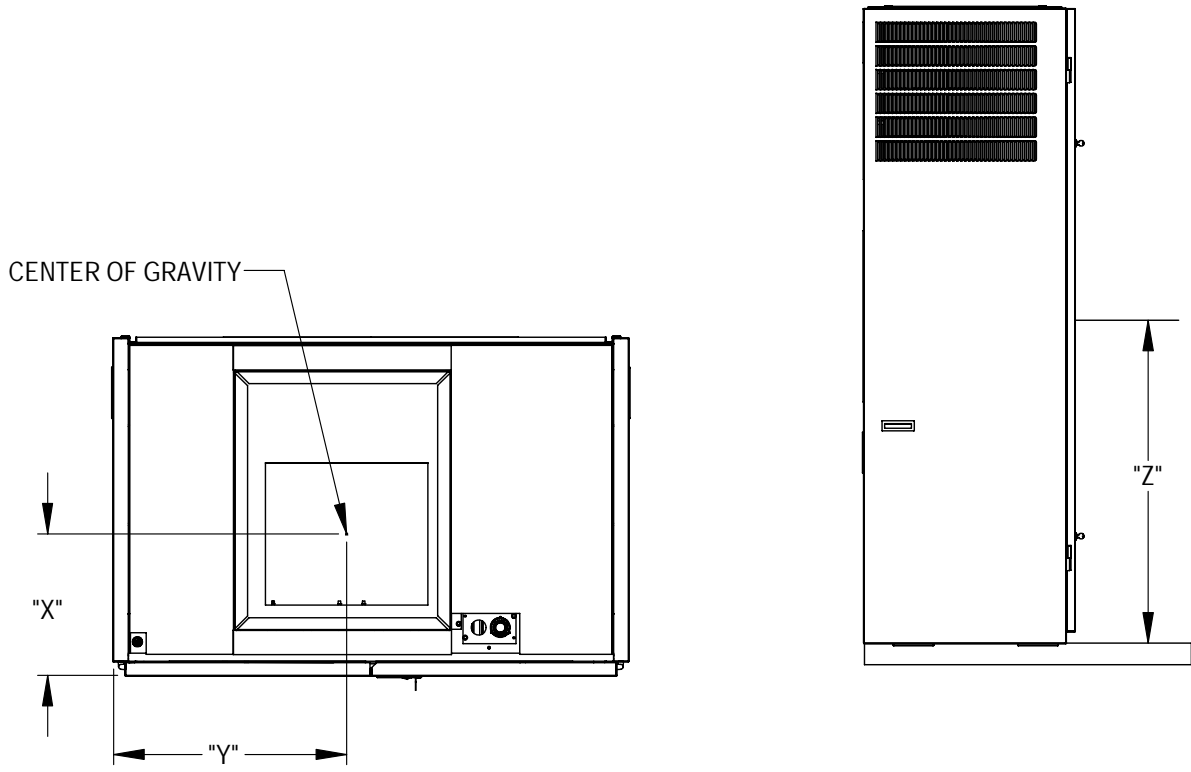
## WOOD FRAMED INSTALLATION (for Wall Attachment)



\* Height dimension shown without riser kit. If unit uses riser kit add appropriate dimension to height.

MIS-3072

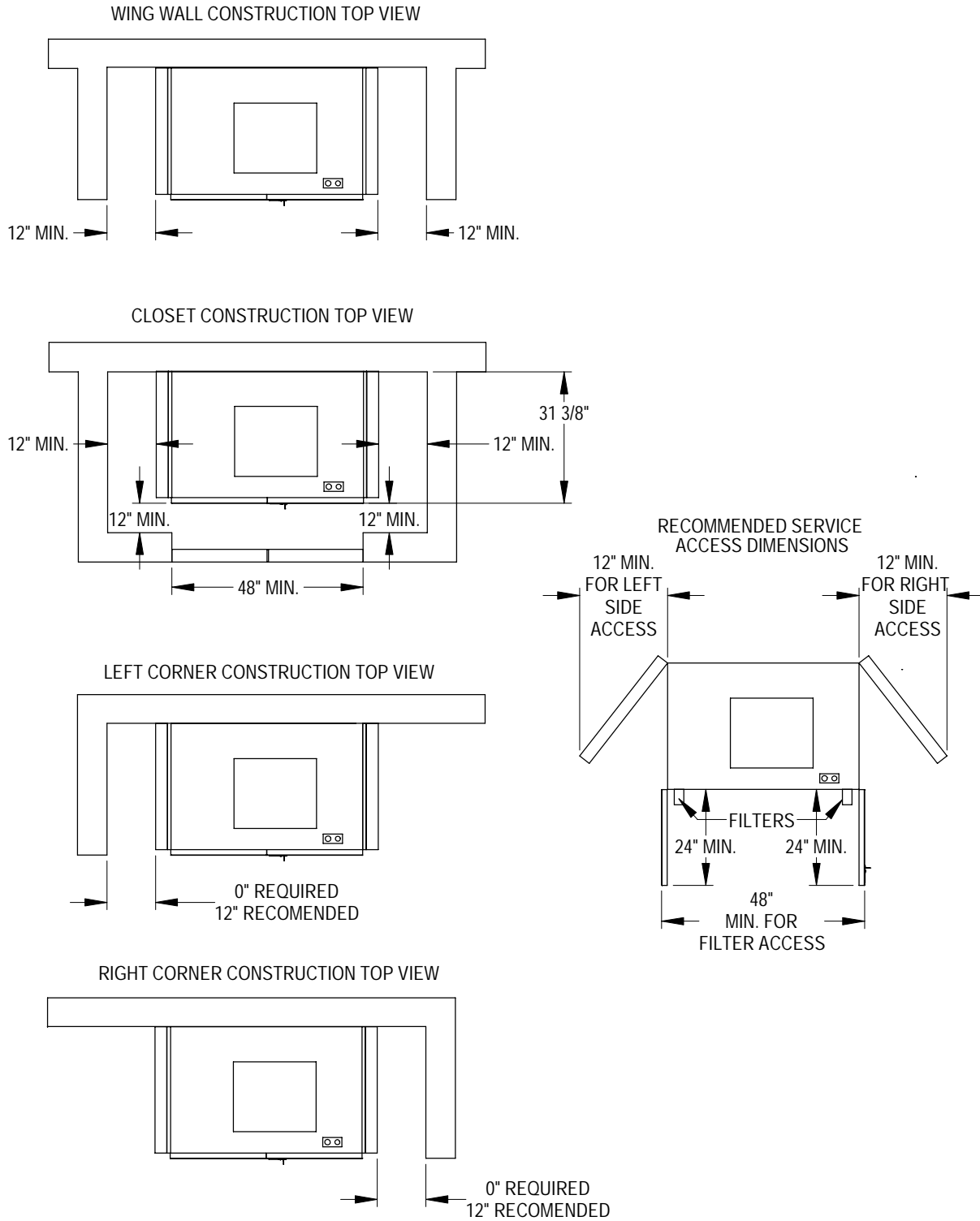
**FIGURE 3  
CENTER OF GRAVITY**



MIS-3269

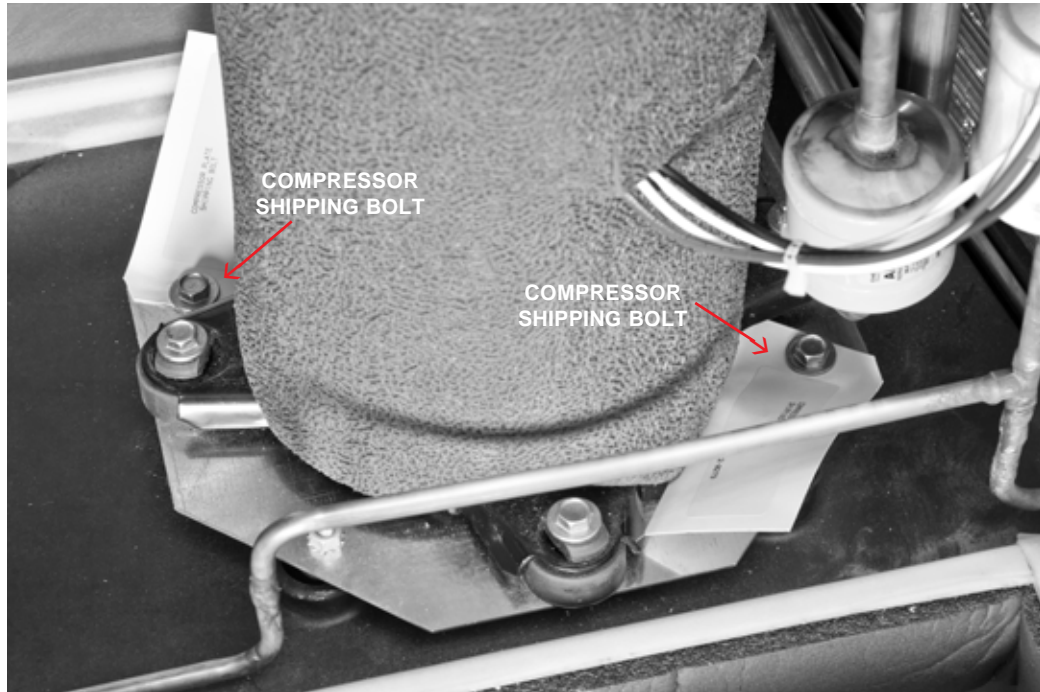
| UNIT TESTED | FRONT OF UNIT<br>DOOR TO CENTER | LEFT SIDE<br>TO CENTER | FLOOR TO CENTER<br>CRV & ERV | FLOOR TO CENTER<br>NO VENT |
|-------------|---------------------------------|------------------------|------------------------------|----------------------------|
|             | "X" Dimension                   | "Y" Dimension          | "Z" Dimension                | "Z" Dimension              |
| I30H1-A, -B | 14"                             | 24"                    | 43½"                         | 47"                        |
| I30H1-C     | 14"                             | 24¼"                   | 43½"                         | 47"                        |
| I36H1-A, -B | 14"                             | 24"                    | 43½"                         | 47"                        |
| I36H1-C     | 14"                             | 24¼"                   | 43½"                         | 47"                        |
| I42H1-A, -B | 14"                             | 24"                    | 43½"                         | 47"                        |
| I42H1-C     | 14"                             | 24¼"                   | 43½"                         | 47"                        |
| I48H1-A, -B | 14"                             | 24"                    | 43½"                         | 47"                        |
| I48H1-C     | 14"                             | 24¼"                   | 43½"                         | 47"                        |
| I60H1-A, -B | 14"                             | 24"                    | 43½"                         | 47"                        |
| I60H1-C     | 14"                             | 24¼"                   | 43½"                         | 47"                        |

**FIGURE 4  
REQUIRED CLEARANCES & RECOMMENDED ACCESS**

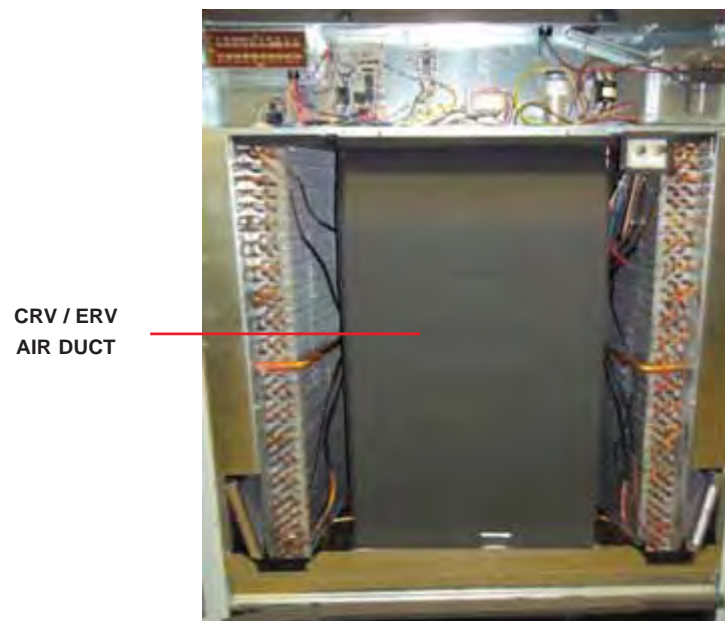


MIS-3273

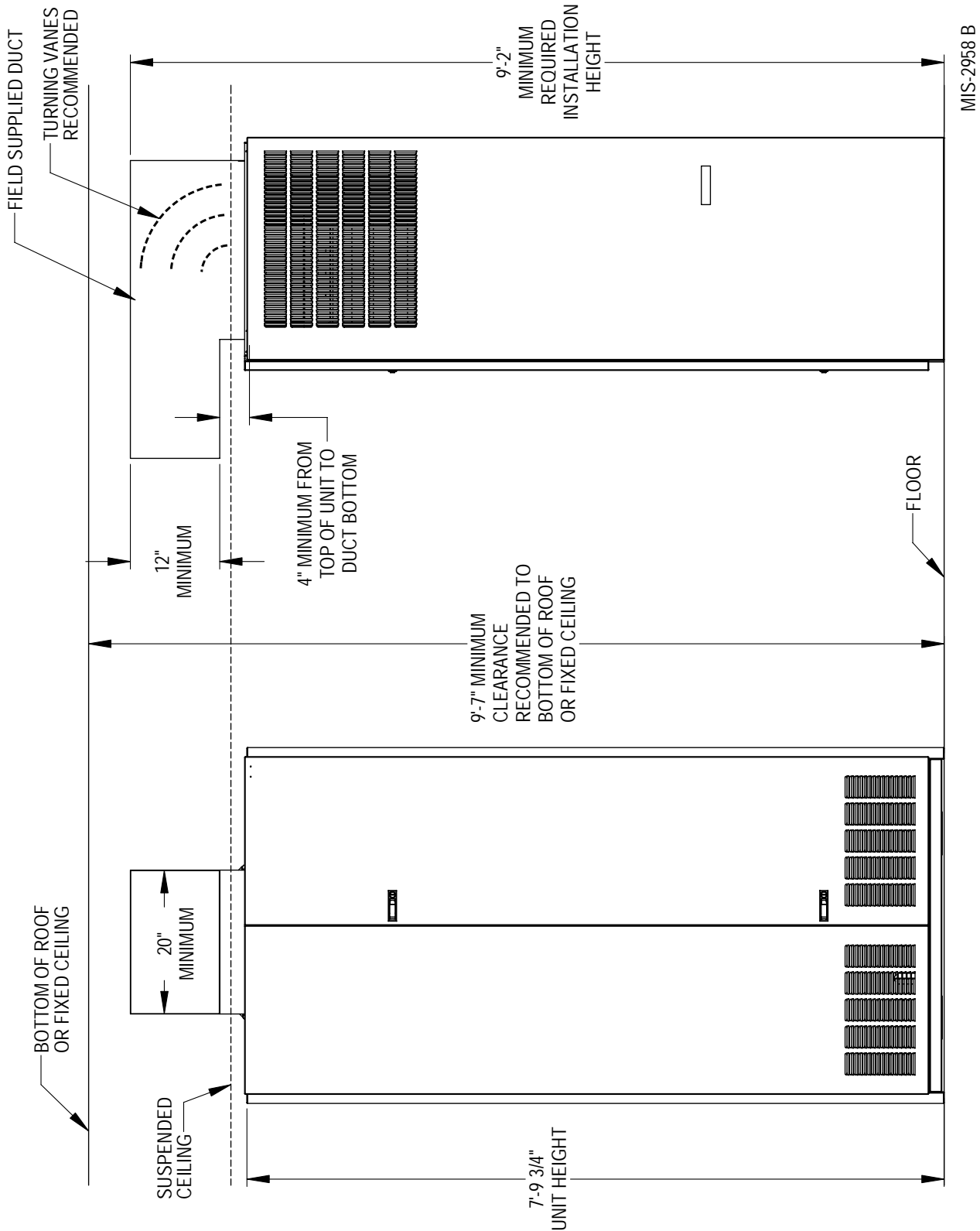
**FIGURE 5  
COMPRESSOR SHIPPING BOLTS**



**FIGURE 6  
REMOVAL OF AIR DUCT**



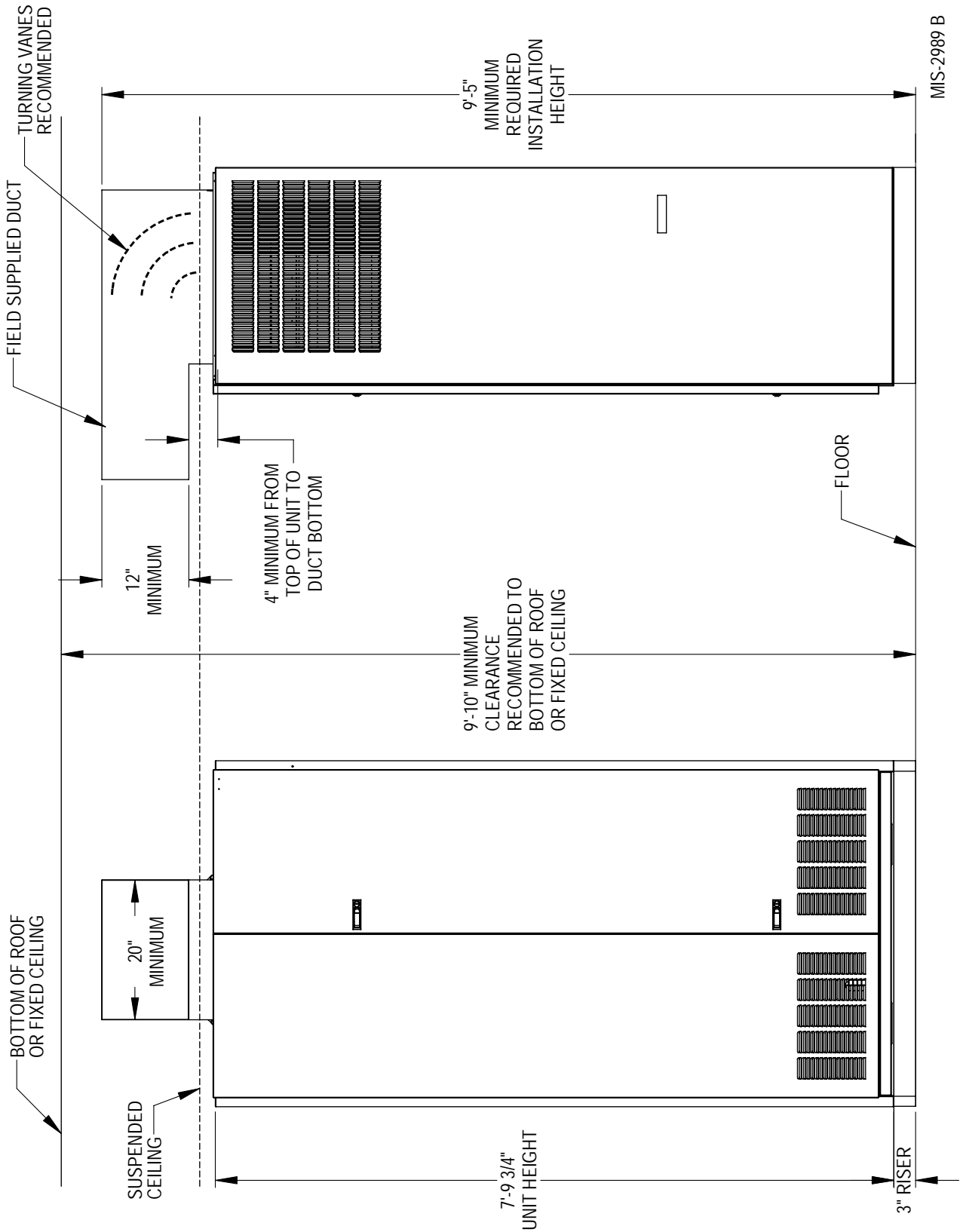
**FIGURE 7A**  
**DUCTED APPLICATION – BASIC UNIT**



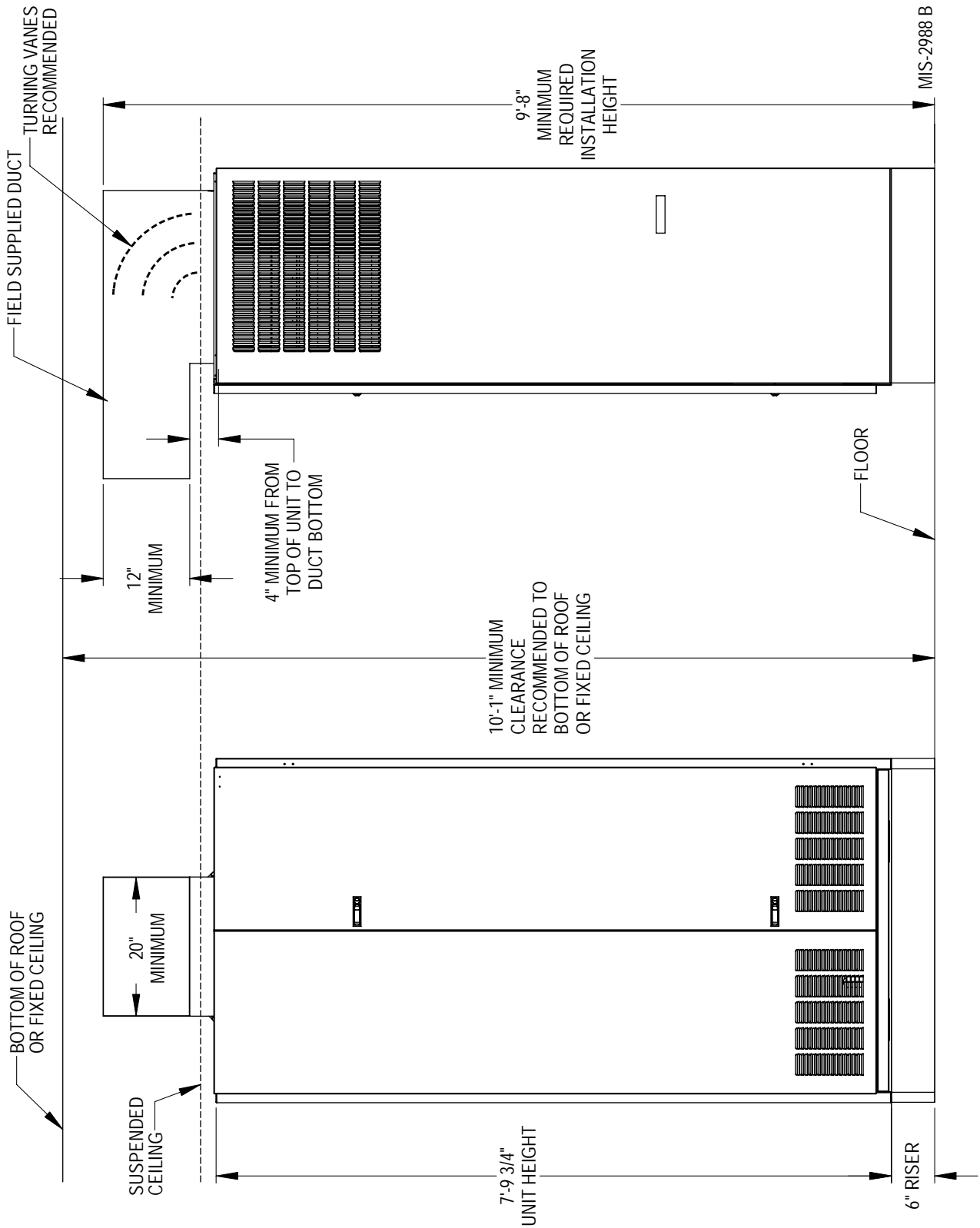
MIS-2958 B



**FIGURE 7B**  
**3" RISER APPLICATION**



**FIGURE 7C**  
**6" RISER APPLICATION**

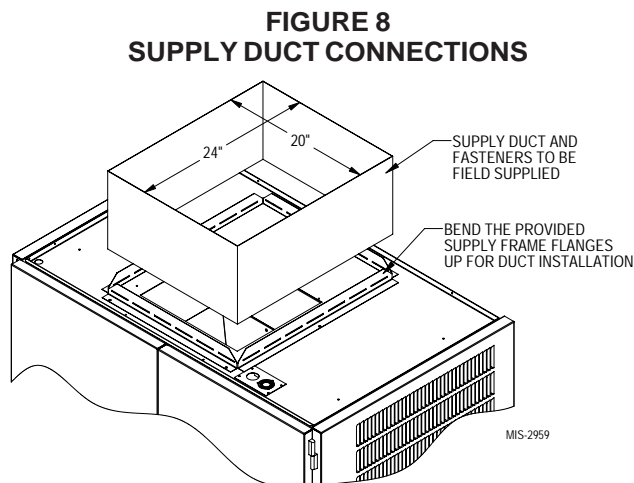


## DUCT WORK

Any heat pump is more critical of proper operating charge and an adequate duct system than a straight air conditioning unit. All duct work must be properly sized for the design airflow requirement of the equipment. Air Conditioning Contractors of America (ACCA) is an excellent guide to proper sizing. All duct work or portions thereof not in the conditioned space should be properly insulated in order to both conserve energy and prevent condensation or moisture damage. When duct runs through unheated spaces, it should be insulated with a minimum of one inch of insulation. Use insulation with a vapor barrier on the outside of the insulation. Flexible joints should be used to connect the duct work to the equipment in order to keep the noise transmission to a minimum.

The I-TEC series heat pump has provision to attach a supply air duct to the top of the unit. Duct connection size is 20 inches x 24 inches. The flanges are shipped flat and must be bent upward using sheet metal flanging pliers. The duct work is field supplied. See Figure 8 for suggested attachment method.

*Make sure to seal the slots in the bend-up flange at the time of securing your ductwork to the flange. This can be accomplished with either foil tape or caulk. Failing to do so may cause air leakage/whistling of air.*



*NOTE: Unit cabinet, supply air duct and duct free plenum are approved for "0" clearance to combustible material.*

The I-TEC series heat pumps are designed for use with free return (non-ducted) and either duct free with the use of IPBDF Series Plenum Box (8" or 12") or a duct supply air system.

The IPBDF Plenum Box mounts on top of the unit and has both vertically and horizontally adjustable louvers on the front discharge grille.

When used with a ducted supply, an ICX9 or ICX10 Cabinet Extension may be used to conceal the ductwork above the unit to the ceiling. The ICX9 extends 20" above the unit for a total height of 9'-6" for

a floor mounted install (9'-9" with IRP3 riser & 10'-0" with IRP6 riser). The ICX10 extends 28" above the unit for a total height of 10'-2" for a floor mounted install (10'-5" with IRP3 riser & 10'-8" with IRP6 riser).

The unit is equipped with a variable speed indoor blower motor which increases in speed with an increase in duct static pressure. The unit will therefore deliver proper rated airflow up to the maximum ESP shown in Table 1A. However, for quiet operation of the air system, the duct static should be kept as low as practical, within the guidelines of good duct design.

## FILTERS

Two 2-inch throw away filters (24 x 30) and two 1-inch throw away filters (12 x 20) are supplied with each unit. The 2-inch filters slide into brackets on both sides for the return air openings. The 1-inch filters are in the cabinet doors for the vent (room air) exhaust. If a CRV or ERV vent option is used, there are two (2) additional ½" (8 x 17) washable filters included with that option. See Figure 9 for specific locations. The filters are serviced from the inside of the building by opening the cabinet doors, and do not require any tools to access.

**FIGURE 9**  
**FILTER LOCATION**



## CONDENSATE DRAIN

There are two condensate drain connections from the condenser drain pan (compressor area). These are visible from the rear of the unit. Factory installed tubing connects the two drains at a tee connection and then a single drain hose with a barbed hose connector carries the condensate to the draining option of your choice. Enough tubing is provided to reach all drain options and can be cut down in length.

The unit is shipped from the factory with the drain line on the left-hand side as you look at the rear of the unit. The tubing can be removed from the drain connections and flipped for a right-hand drain. See Figure 10.

The drain can be routed directly through the floor or through the wall. There are also two optional drain locations in the lower rear back panel. See Figure 8.

The I-TEC design does not require a trap in the condensate disposal tubing. Check your local codes to see if a "P" trap is required.

For a stand pipe floor drain or through the wall, there is adequate hose length to reach anything located behind the unit. The lower rear portion of the cabinet is recessed approximately 4 inches allowing room for a "P" trap to be installed with the cabinet flush with the wall. Keep in mind, the drain line must be able to be removed from the unit if necessary to remove the unit from the wall.

Access plates are located on the rear of the unit for servicing the drain trap. See Figure 10. ***If the drain line is to be routed through an unconditioned space, it must be protected from freezing.***

The condensate drain line can also be routed back into the unit through either the right-hand or left-hand optional drain locations on the rear of the unit. The hole is covered by insulation on the inside of the unit and will have to be cut away. Located inside the unit, about 12 inches in from the front on both the left and right side are drain holes in the bottom of the base. These holes are covered with insulation and are not visible. They are located very close to the side panels and can be found by pressing down on the insulation. Cut insulation away to expose the hole. A drain trap can now be installed inside of the cabinet, and the drain hose routed directly through the floor.

Once the I-TEC is installed, the rear drains exiting the condenser section can be easily serviced with removal of the pre-painted metal sides (lift-off doors, remove four [4] screws to remove side).

If side access is not available, the drain lines and trap can be serviced by removing either one of the drain access panels on the rear of the unit (in the ventialtion package area.) See Figure 10.

## WITH NO VENT OPTION

To access the drain access panels in the rear of this section, simply remove the front door/cover from the box, and the plates are located in the rear of the box.

## WITH COMMERCIAL ROOM VENTILATOR

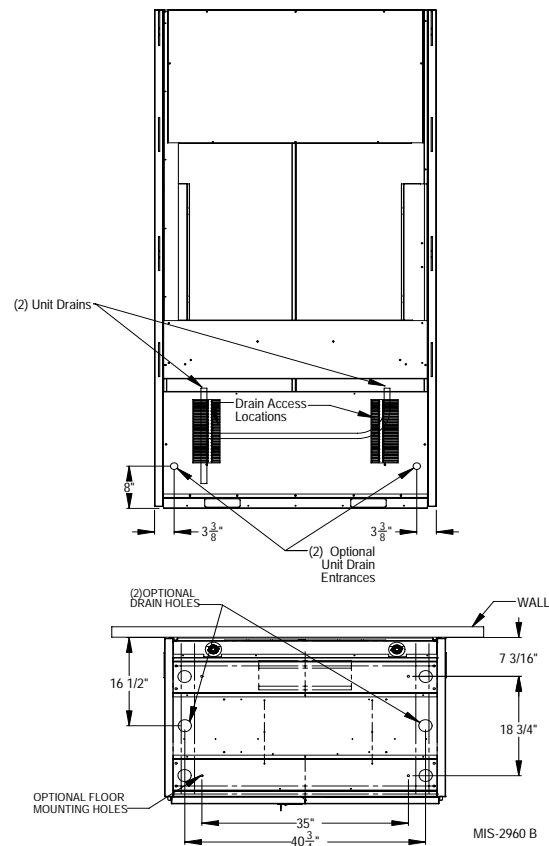
1. Open hinged front doors.
2. Disconnect unit power to eliminate shock hazard.
3. Remove front cover/door of CRV vent package. (Can leave filter access panels in place.)
4. Unplug wires coming in on left side from upper unit section.
5. Unplug two wire harness from front (intake) blower.
6. Remove two (2) screws securing front (intake) blower and slide blower out of unit.
7. Remove four (4) screws that retian the partition behind/beneath intake blower removed in Step #6.
8. Rear drain access panels are now visible on both right-hand and left-hand sides in rear of box.

## WITH ENERGY RECOVERY VENTILATOR

To access the rear drain access panels of this section:

1. Open hinged front doors.
2. Disconnect unit power to eliminate shock hazard.
3. Remove front cover/door of ERV vent package. (Can leave filter access panels in place.)
4. Unplug wires coming in on left side from upper unit section.
5. Unplug heat recovery cassette on the side you wish to access, and slide cassette out the front of the unit.
6. Remove two (2) screws securing partition on outboard side of cassette and remove.
7. Rear drain access panels are now visible on both right-hand and left-hand sides in rear of box.

FIGURE 10 — DRAIN LOCATIONS



**FIGURE 11A  
UNIT MOUNTING**

Use (12) Field Supplied Concrete or Wood Screws to Secure Outer Sleeve to Structure.

**IMPORTANT!**  
Apply liberal amount of caulk to back of flange before installing.

REF. A

Use (6) 3/4" Long Self Tapping Screws to Attach Inner Sleeve to Outer Sleeve

**IMPORTANT!**  
Apply Caulk bead to entire perimeter seam between inner and outer sleeve.

REF. B

Use (12) 3/4" Long Self Tapping Screws to Attach Inner Sleeve to Unit Back

**IMPORTANT!**

Use care when inserting screws to not damage gasketing material. Doing so may compromise water seal between unit and sleeve.

Pull Inner Frame Out Until Flush With Grille Mounting Angle

Use (4) 1-1/2" Long Screws to Attach Louver Grille to Outer Sleeve.

REF. C

Use (6) 3/4" Long Screws to Attach Exhaust Sleeve to Unit Fan Shroud

REF. D

Use (4) 1/2" Long Screws to Attach frame to Exhaust Sleeve

(16) 5/16" - 3/4" SELF TAPPING

REF. A AND B



(6) 5/16" - 3/4" NON-TAPPING

REF. C



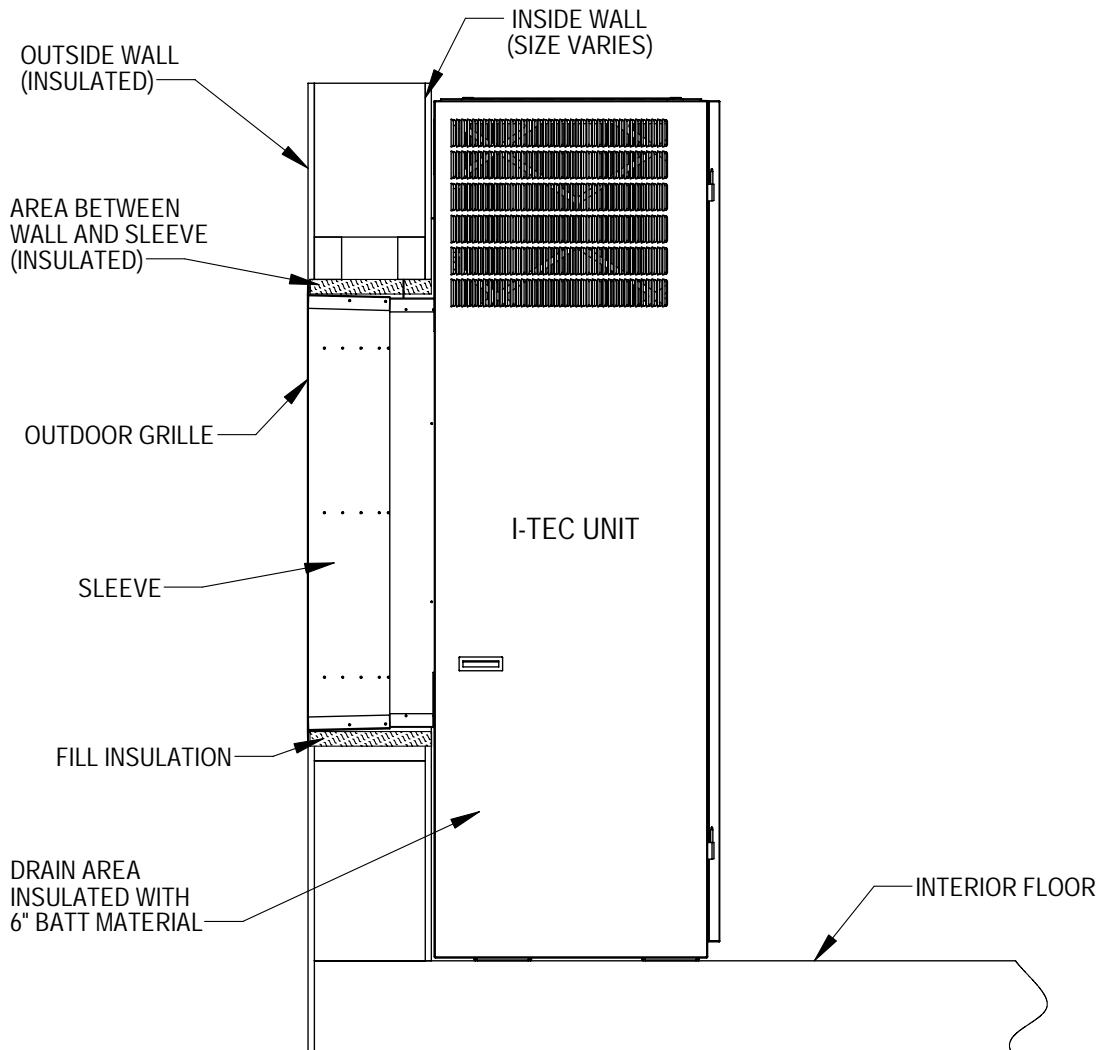
(4) 5/16" - 1/2" NON-TAPPING

REF. D



MIS-3014

**FIGURE 11B  
UNIT MOUNTING**



MIS-2928 B



# INSTALLATION INSTRUCTIONS

## MOUNTING THE UNIT

*The wall sleeve is attached to the I-TEC unit from the outside of the building. See Figures 11A & 11B. Refer to wall sleeve Manual 2100-562 supplied with sleeve.*

Following are the steps for attaching the I-TEC to the wall sleeve.

1. Lift the unit into place making sure that it is aligned side to side.
2. Push the unit back until the rear panel touches the sleeve gasket.
3. This unit must be level from side to side and from front to back. If adjustments are necessary, shim up under the base rails with sheets of metal or any substance not affected by moisture.
4. Attach the sleeve to the unit using the ten (10)  $\frac{3}{4}$ " long self-tapping screws supplied with the sleeve.
5. The exhaust sleeve has three (3)  $\frac{3}{4}$ " long screw slots in each side flange. Line these up with the screw engagement holes in the fan panel. Attach using six (6)  $\frac{3}{4}$ " long pointed sheet metal screws supplied with the sleeve. Extend the sleeve out until it is flush with the louver grill attachment angles.
6. Lock the sleeve in place using two (2)  $\frac{1}{2}$ " long pointed sheet metal screws on each side by shooting through the slot into a pre-punched hole.
7. A bottom trim piece is shipped loose for installation beneath the doors. Attach the trim piece to the unit with screws provided.
8. The compressor is secured to the base with two (2) bolts for shipping. Both bolts are identified with a tag. Remove shipping bolts (Figure 5).

## WIRING – MAIN POWER

Refer to the unit rating plate and/or Table 2 for wire sizing information and maximum fuse or “HACR Type” circuit breaker size. Each unit is marked with a “Minimum Circuit Ampacity”. This means that the field wiring used must be sized to carry that amount of current. Depending on the installed KW of electric heat, there may be two field power circuits required. If this is the case, the unit serial plate will so indicate. All models are suitable only for connection with copper wire. Each unit and/or wiring diagram will be marked “Use Copper Conductors Only suitable for at least 75°C”. **THESE INSTRUCTIONS MUST BE ADHERED TO.** Refer to the National Electrical Code (NEC) for complete current carrying capacity data on the various insulation grades of wiring material. All wiring must conform to NEC and all local codes.

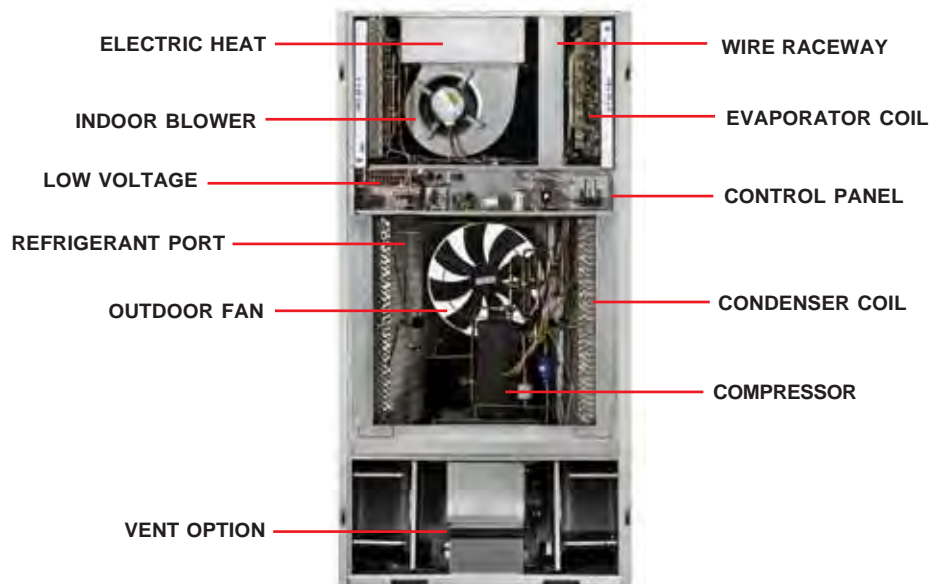
The electrical data lists fuse and wire sizes (75°C copper) for all models, including the most commonly used heater sizes. Also shown are the number of field power circuits required for the various models with heaters.

The unit rating plate lists a “Maximum Time Delay Relay Fuse” or “HACR Type” circuit breaker that is to be used with the equipment. The correct size must be used for proper circuit protection, and also to assure that there will be no nuisance tripping due to the momentary high starting current of the compressor motor.

See “START UP” section for information on three phase scroll compressor start-ups.

The field wiring conduit connections are located on the top right-hand corner of the unit with a wire raceway to feed the wires down to the circuit breaker(s). See Figure 12.

**FIGURE 12  
COMPONENT LOCATION**



## WIRING – LOW VOLTAGE WIRING

### 230/208V, 1 PHASE AND 3 PHASE EQUIPMENT DUAL PRIMARY VOLTAGE TRANSFORMERS.

All Equipment leaves the factory wired on 240V tap. For 208V operation, reconnect from 240V to 208V tap. The acceptable operating voltage range for the 240 and 208V taps are as noted in Table 3.

**TABLE 3 — OPERATING VOLTAGE RANGE**

| TAP  | RANGE     |
|------|-----------|
| 240V | 253 – 216 |
| 208V | 220 – 187 |

**NOTE:** The voltage should be measured at the field power connection point in the unit and while the unit is operating at full load (maximum amperage operating condition).

The standard unit includes a remote thermostat connection terminal strip. See Figures 13 through 19 for connection diagrams. Compatible thermostats are listed in Table 4.

**TABLE 4 — WALL THERMOSTATS**

| Thermostat                     | Predominant Features  |
|--------------------------------|---|
| 8403-060<br>(1120-445)         | 3 stage Cool; 3 stage Heat<br>Programmable/Non-Programmable Electronic<br>HP or Conventional<br>Auto or Manual changeover   |
| 8403-067<br>(CDT-2W40-LCD-RLY) | Carbon Dioxide Sensor with LCD for<br>Sensor Readings   |
| CS9B-THO                       | 3 Stage Heat, 3 Stage Cool, Prog/NonProg, HP or Conv,<br>Auto or Manual Changeover, Humidity Sensor w/<br>dehumidification, Motion Sensor w/ Intelligent Learning<br>Control, BACnet-compatible                                     |
| CS9B-THOC                      | 3 Stage Heat, 3 Stage Cool, Prog/NonProg, HP or Conv,<br>Auto or Manual Changeover, Humidity Sensor w/<br>dehumidification, CO2 Sensor, Motion Sensor w/<br>Intelligent Learning Control, BACnet-compatible                         |
| CS9BE-THO                      | 3 Stage Heat, 3 Stage Cool, Prog/NonProg, HP or Conv,<br>Auto or Manual Changeover, Humidity Sensor w/<br>dehumidification, Motion Sensor, Intelligent Learning<br>Control, BACnet-compatible, Ethernet-compatible                  |
| CS9BE-THOC                     | 3 Stage Heat, 3 Stage Cool, Prog/NonProg, HP or Conv,<br>Auto or Manual Changeover, Humidity Sensor w/<br>dehumidification, CO2 Sensor, Motion Sensor w/<br>Intelligent Learning Control, BACnet-compatible,<br>Ethernet-compatible |

## LOW VOLTAGE CONNECTIONS

These units use a grounded 24 volt AC low voltage circuit.

“G” terminal is the *fan input*.

“Y1” terminal is the *compressor part load input*.

“Y2” terminal is the *compressor full load input*.

“B/W1” terminal is the *reversing valve input*.

The reversing valve must be energized for heating mode.

“R” terminal is *24 VAC hot*.

“C” terminal is *24 VAC grounded*.

“L” terminal is *compressor lockout output*. This terminal is activated on a high or low pressure trip and condensate overflow trip by the electronic heat pump control. This is a 24 VAC output.

Manual 2100-549G

Page 22 of 59

“W2” terminal is *first stage electric heat* (if equipped). First stage electric heat can be operated simultaneously with the heat pump operating.

“A” terminal is the *ventilation input*. This terminal energizes any factory installed ventilation option.

“W3” terminal is *second stage electric heat*. When “W3” terminal is energized, it locks out compressor operation to limit discharge air temperature and required branch circuit ampacity.

“D” terminal is the *dehumidification mode* (on models so equipped).

**NOTE:** For total and proper control using DDC, a minimum of 9 controlled outputs are needed when above 10KW Electric Heat is employed with ventilation, a total of 8 controlled outputs with below 10KW Electric Heat with Ventilation, 7 controlled outputs below 10KW Electric Heat with no ventilation, 7 controlled outputs with no Electric Heat, but with ventilation, and 6 controlled outputs with no electric heat and no ventilation. If Dehumidification Model & Vent, 10 controlled outputs are needed when above 10KW Electric Heat is employed with ventilation.

### LOW VOLTAGE CONNECTIONS FOR DDC CONTROL

|   |                              |
|---|------------------------------|
| Fan Only  | Energize G                   |
| Cooling Part Load   | Energize G, Y1               |
| Cooling Full Load   | Energize G, Y1, Y2           |
| HP Heating Part Load  | Energize G, Y1, B/W1         |
| HP Heating Full Load  | Energize G, Y1, Y2, B/W1     |
| HP Heating Full Load + Electric Heat<br>(up to 10KW)                            | Energize G, Y1, Y2, B/W1, W2 |
| Heating with Bank #1 Electric Heat Only   | Energize G, W2               |
| Emergency Heat ( <i>Heat pump operation<br/>is negated for this condition</i> ) | Energize G, W2, W3           |
| Ventilation   | Energize A                   |
| Dehumidification *  | Energize G, D                |
| * Models with Dehumidification Only   |                              |

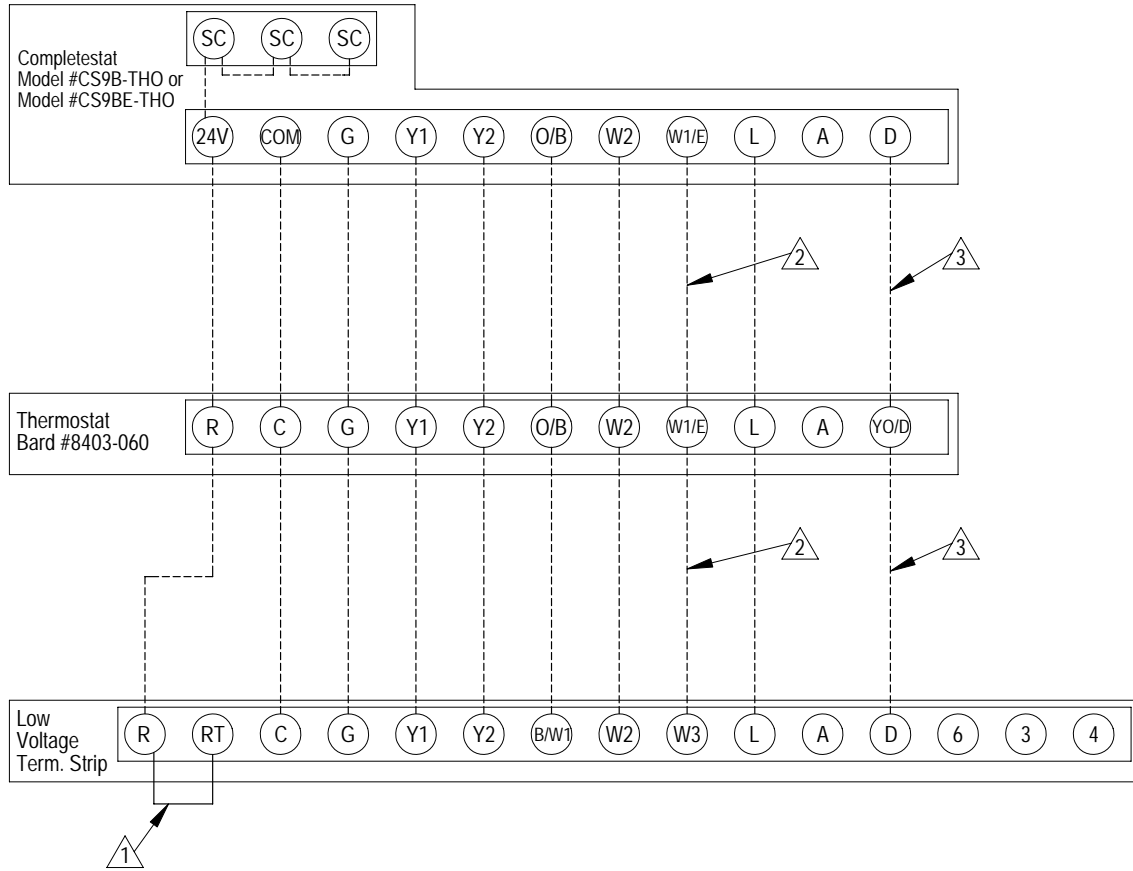
## GENERAL

This unit is equipped with a variable speed ECM motor. The motor is designed to maintain rated airflow up to the maximum static allowed. ***It is important that the blower motor plugs are not plugged in or unplugged while the power is on. Failure to remove power prior to unplugging or plugging in the motor could result in motor failure.***

## CAUTION

Do not plug in or unplug blower motor connectors while the power is on. Failure to do so may result in motor failure.

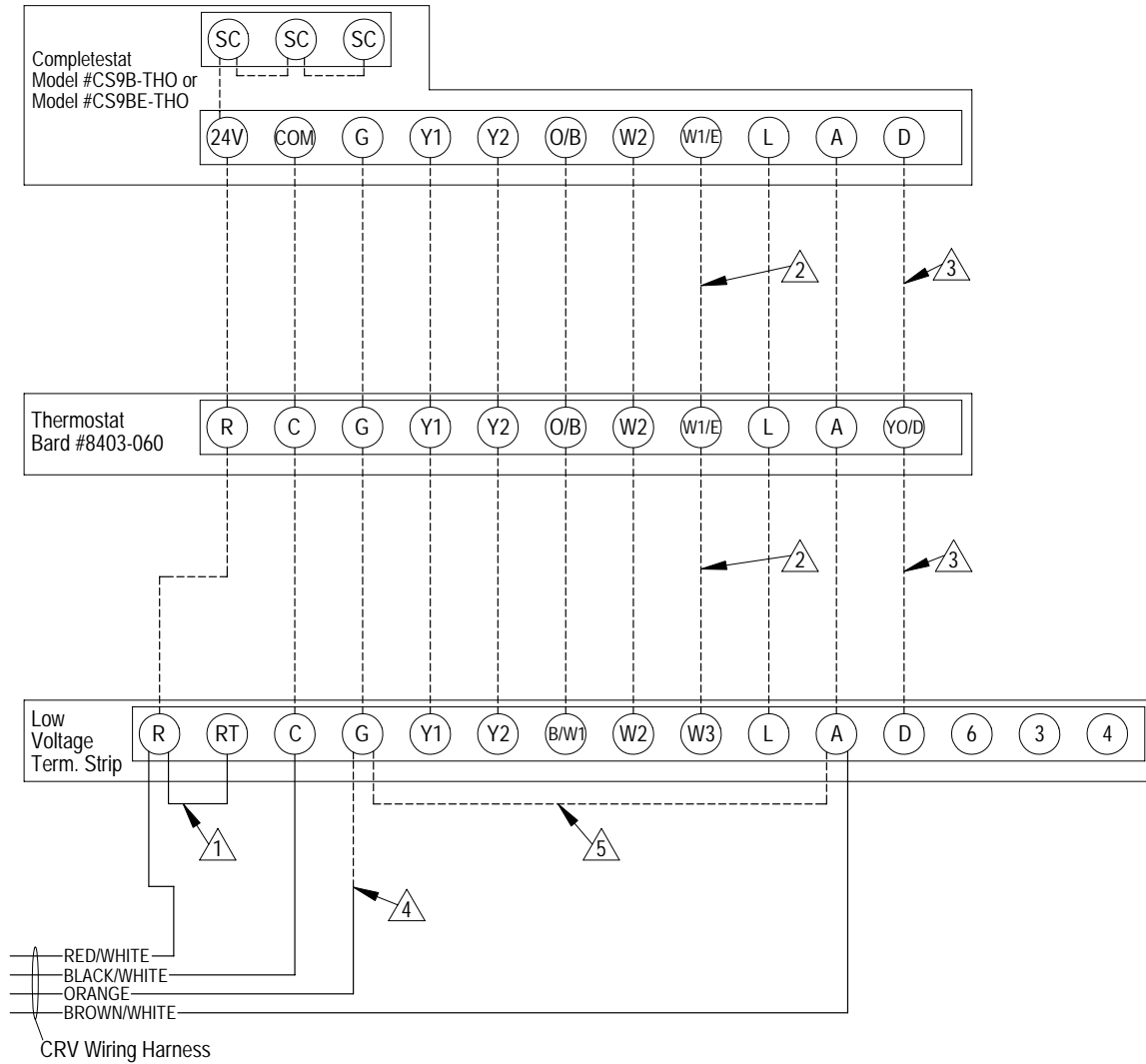
**FIGURE 13  
BASIC HEAT PUMP WITH NO VENTILATION PACKAGE**



- 1 Factory installed jumper. Remove jumper and connect to N.C fire alarm
- 2 Not needed below 15KW
- 3 Additional wire required for dehumidification models

MIS-3016

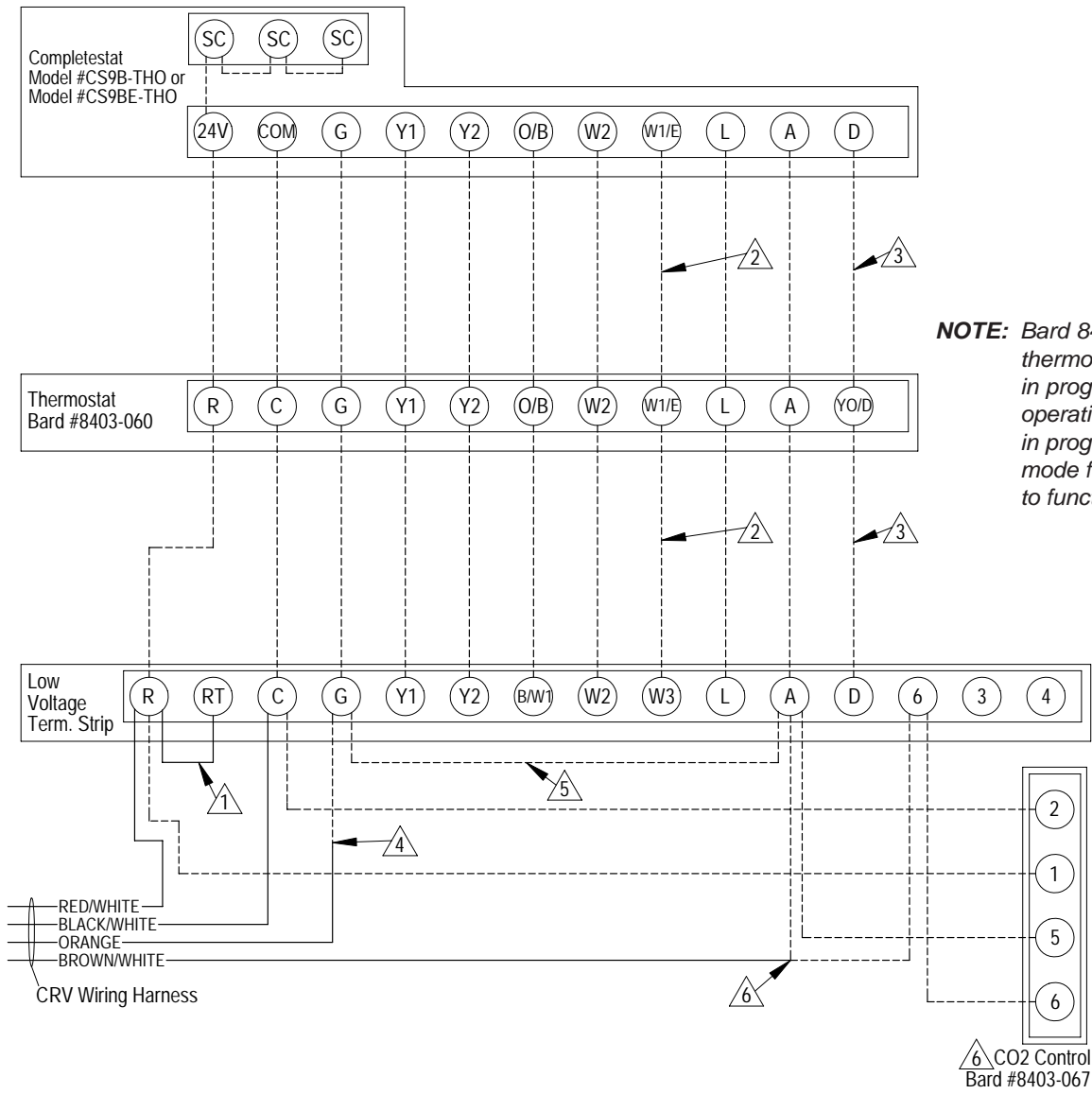
**FIGURE 14**  
**HEAT PUMP WITH CRV, WITHOUT CO<sub>2</sub> CONTROL**



- 1 Factory installed jumper. Remove jumper and connect to N.C fire alarm circuit if emergency shutdown required.
- 2 Not needed below 15KW.
- 3 Additional wire required for dehumidification models.
- 4 Connect to "G" terminal when thermostat has "Occupancy Signal".
- 5 Install a jumper between "G" and "A" only when thermostat without "Occupance Signal" is used.

MIS-3017

**FIGURE 15  
HEAT PUMP WITH CRV AND CO<sub>2</sub> CONTROL**

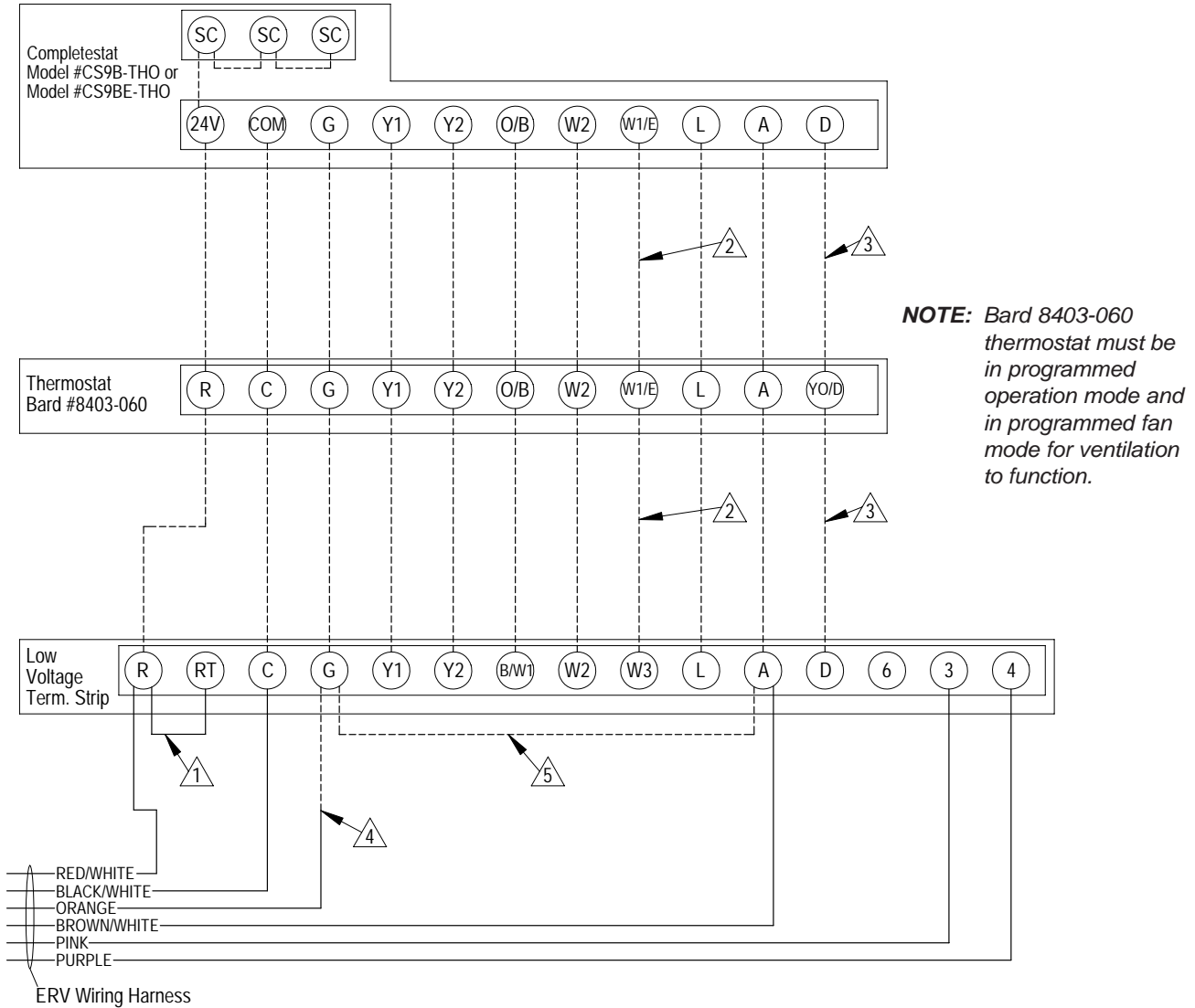


**NOTE:** Bard 8403-060 thermostat must be in programmed operation mode and in programmed fan mode for ventilation to function.

- △1 Factory installed jumper. Remove jumper and connect to N.C fire alarm circuit if emergency shutdown required.
- △2 Not needed below 15KW.
- △3 Additional wire required for dehumidification models.
- △4 Connect to "G" terminal when thermostat has "Occupancy Signal".
- △5 Install a jumper between "G" and "A" only when thermostat without "Occupance Signal" is used.
- △6 If CS9B-THOC or CS9BE-THOC is used, connect "Brown/White" directly to "A" and do not use separate CO2 controller.

MIS-3018

**FIGURE 16**  
**HEAT PUMP WITH ERV, WITHOUT CO<sub>2</sub> CONTROL**



△1 Factory installed jumper. Remove jumper and connect to N.C fire alarm circuit if emergency shutdown required.

△2 Not needed below 15KW.

△3 Additional wire required for dehumidification models.

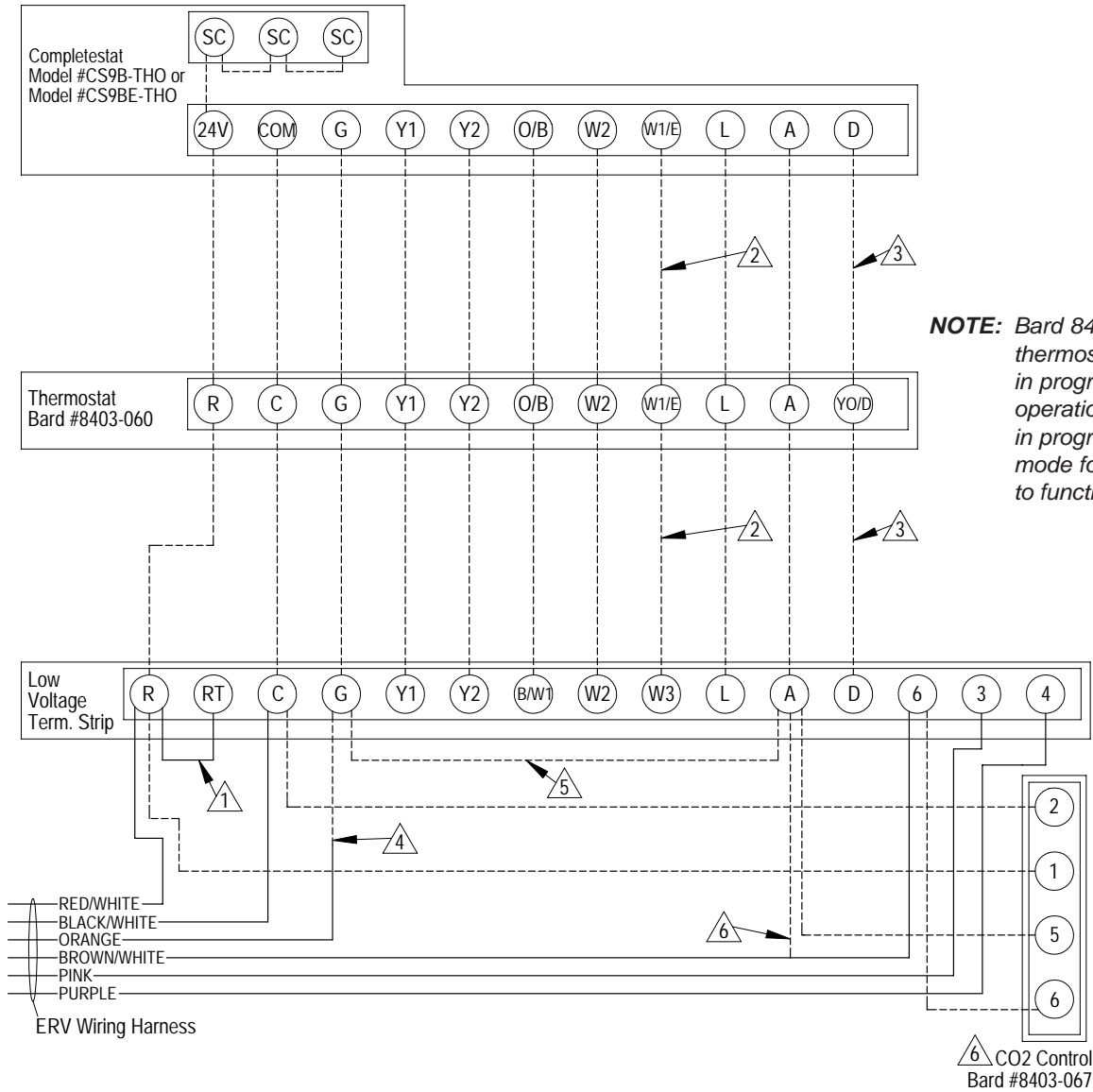
△4 Connect to "G" terminal when thermostat has "Occupancy Signal".

△5 Install a jumper between "G" and "A" only when thermostat without "Occupance Signal" is used.

MIS-3019



**FIGURE 17**  
**HEAT PUMP WITH ERV AND CO<sub>2</sub> CONTROL (ON/OFF CYCLING)**

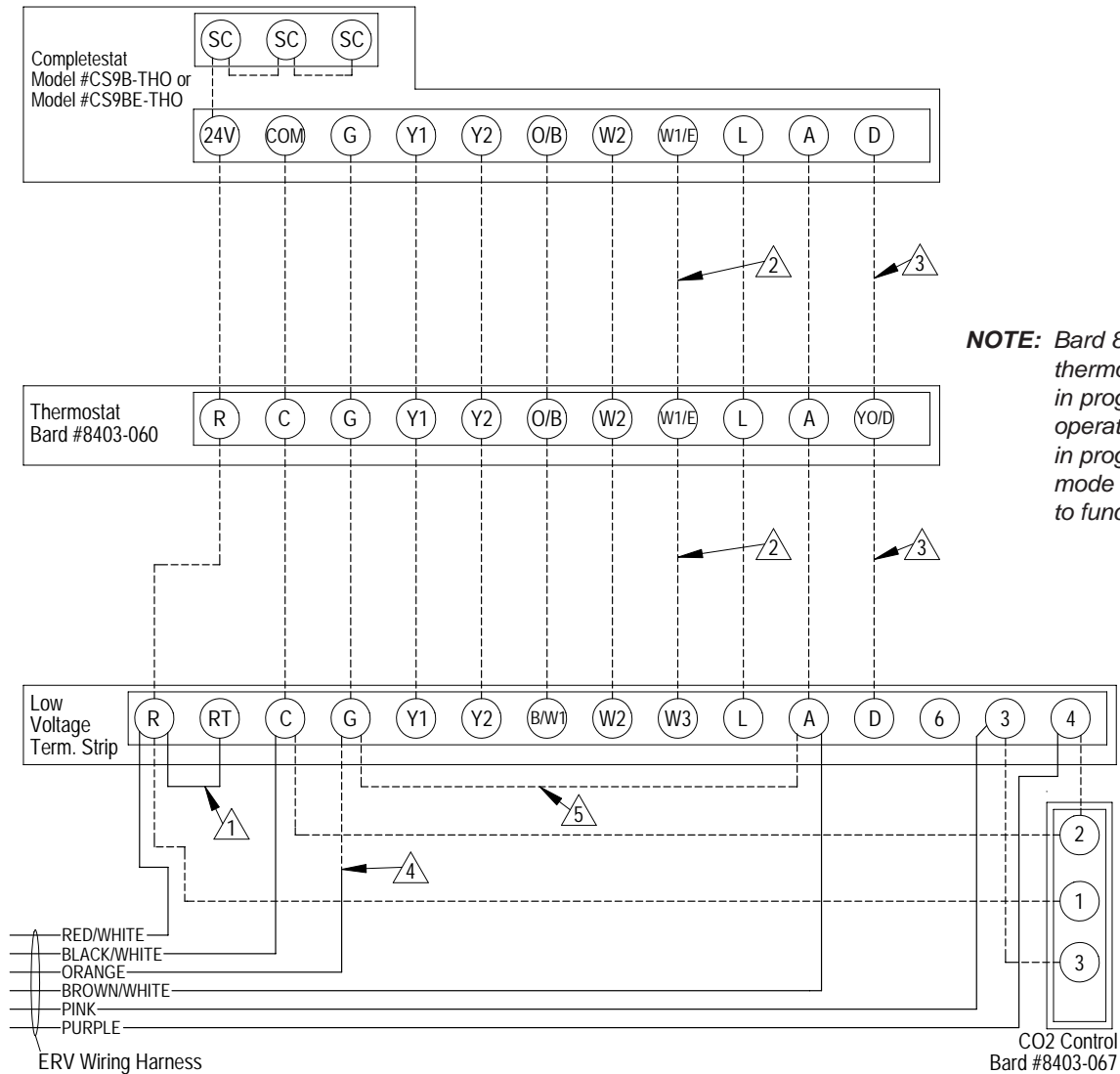


**NOTE:** Bard 8403-060 thermostat must be in programmed operation mode and in programmed fan mode for ventilation to function.

- |   |  |
|---|--|
| <p>1 Factory installed jumper. Remove jumper and connect to N.C fire alarm circuit if emergency shutdown required.</p> <p>2 Not needed below 15KW.</p> <p>3 Additional wire required for dehumidification models.</p> | <p>4 Connect to "G" terminal when thermostat has "Occupancy Signal".</p> <p>5 Install a jumper between "G" and "A" only when thermostat without "Occupance Signal" is used.</p> <p>6 If CS9B-THOC or CS9BE-THOC is used, connect "Brown/White" directly to "A" and do not use separate CO2 controller.</p> |
|---|--|

MIS-3020

**FIGURE 18**  
**HEAT PUMP WITH ERV AND CO<sub>2</sub> CONTROL (FULLY MODULATING)**



**NOTE:** Bard 8403-060 thermostat must be in programmed operation mode and in programmed fan mode for ventilation to function.

1 Factory installed jumper. Remove jumper and connect to N.C fire alarm circuit if emergency shutdown required.

2 Not needed below 15KW.

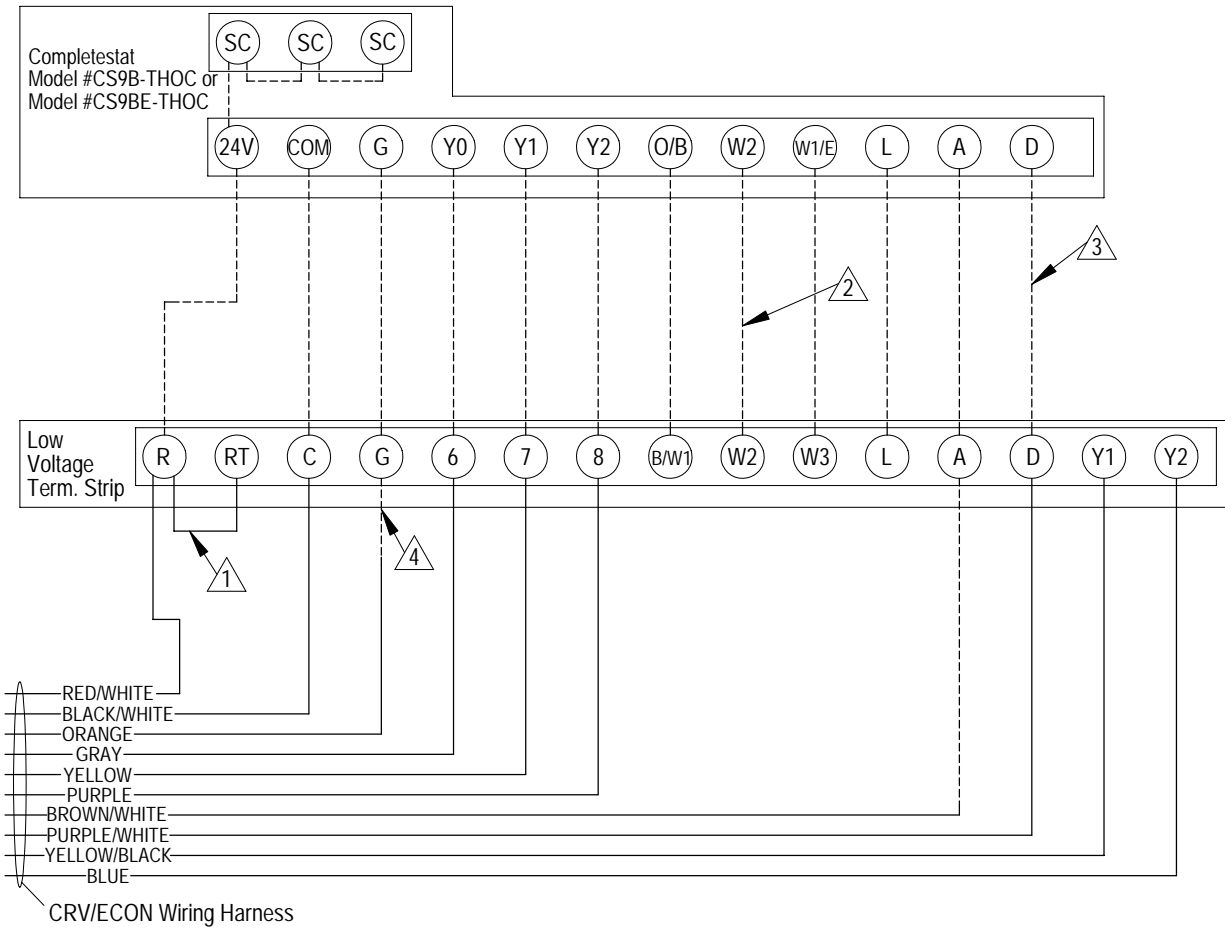
3 Additional wire required for dehumidification models.

4 Connect to "G" terminal when thermostat has "Occupancy Signal".

5 Install a jumper between "G" and "A" only when thermostat without "Occupance Signal" is used.

MIS-3021 A

**FIGURE 19**  
**HEAT PUMP WITH COMBINATION CRV AND DB ECONOMIZER ("N" VENT CODE)**  
 Only Recommend Bard CS9B-THOC or CS9BE-THOC as Require 3 Heating/Cooling Stages



1 Factory installed jumper. Remove jumper and connect to N.C fire alarm circuit if emergency shutdown required.

4 Connect orange wire to "G" terminal

2 Not needed below 15KW.

3 Additional wire required for dehumidification models.

MIS-3270

# START UP

---

## THESE UNITS REQUIRE R-410A REFRIGERANT AND POLYOL ESTER OIL.

### GENERAL:

1. Use separate service equipment to avoid cross contamination of oil and refrigerants.
2. Use recovery equipment rated for R-410A refrigerant.
3. Use manifold gauges rated for R-410A (800 psi/250 psi low).
4. R-410A is a binary blend of HFC-32 and HFC-125.
5. R-410A is nearly azeotropic - similar to R-22 and R-12. Although nearly azeotropic, charge with liquid refrigerant.
6. R-410A operates at 40-70% higher pressure than R-22, and systems designed for R-22 cannot withstand this higher pressure.
7. R-410A has an ozone depletion potential of zero, but must be reclaimed due to its global warming potential.
8. R-410A compressors use Polyol Ester oil.
9. Polyol Ester oil is hygroscopic; it will rapidly absorb moisture and strongly hold this moisture in the oil.
10. A liquid line dryer must be used - even a deep vacuum will not separate moisture from the oil.
11. Limit atmospheric exposure to 15 minutes.
12. If compressor removal is necessary, always plug compressor immediately after removal. Purge with small amount of nitrogen when inserting plugs.

### TOPPING OFF SYSTEM CHARGE

If a leak has occurred in the system, Bard Manufacturing recommends reclaiming, evacuating (see criteria above), and charging to the nameplate charge. However, if done correctly, topping off the system charge can be done without problems.

With R-410A, there are no significant changes in the refrigerant composition during multiple leaks and recharges. R-410A refrigerant is close to being an azeotropic blend (it behaves like a pure compound or single component refrigerant). The remaining refrigerant charge, in the system, may be used after leaks have occurred and then “top-off” the charge by utilizing the charging charts on the inner control panel cover as a guideline.

REMEMBER: When adding R-410A refrigerant, it must come out of the charging cylinder/tank as a liquid to avoid any fractionation, and to insure optimal system performance. Refer to instructions for the cylinder that is being utilized for proper method of liquid extraction.



## WARNING

**Failure to conform to these practices could lead to injury or death.**

### SAFETY PRACTICES:

1. Never mix R-410A with other refrigerants.
2. Use gloves and safety glasses. Polyol Ester oils can be irritating to the skin, and liquid refrigerant will freeze the skin.
3. Never use air and R-410A to leak check; the mixture may become flammable.
4. Do not inhale R-410A – the vapor attacks the nervous system, creating dizziness, loss of coordination and slurred speech. Cardiac irregularities, unconsciousness and ultimate death can result from breathing this concentration.
5. Do not burn R-410A. This decomposition produces hazardous vapors. Evacuate the area if exposed.
6. Use only cylinders rated DOT4BA/4BW 400.
7. Never fill cylinders over 80% of total capacity.
8. Store cylinders in a cool area, out of direct sunlight.
9. Never heat cylinders above 125°F.
10. Never trap liquid R-410A in manifold sets, gauge lines or cylinders. R-410A expands significantly at warmer temperatures. Once a cylinder or line is full of liquid, any further rise in temperature will cause it to burst.

## DESCRIPTION OF STANDARD EQUIPMENT

### *Solid State Electronic Heat Pump Control*

Provides efficient 30, 60 or 90-minute defrost cycle. A thermistor sensor and speed up terminal for service along with a 8-minute defrost override are standard on the electronic heat pump control. By default, the I-TEC are factory shipped on the 90-minute defrost cycle.

### *High / Low Pressure Switch*

Provides refrigerant circuit high pressure and loss of charge protection. Includes lockout circuit built into heat pump control that is resettable from room thermostat.

### *Five Minute Compressor Time Delay*

Provides short cycle protection for the compressor which extends compressor life. Built into the electronic heat pump control as standard.

### *Dual Sensor Condensate Overflow*

Senses and provides system shut down if draining issue causes water level to rise in either drain pan.

### *Low Ambient Control*

The low ambient control permits cooling operation down to 0°F outdoor ambient.

## IMPORTANT INSTALLER NOTE

For improved start-up performance, wash the indoor coil with a dishwasher detergent.

## PHASE MONITOR

All units with three phase scroll compressors are equipped with a 3 phase line monitor to prevent compressor damage due to phase reversal.

The phase monitor in this unit is equipped with two LEDs. If the Y signal is present at the phase monitor and phases are correct the green LED will light and the compressor contactor is allowed to energize.

If phases are reversed, the red fault LED will be lit and compressor operation is inhibited.

If a fault condition occurs, reverse two of the supply leads to the unit. Do not reverse any of the unit factory wires as damage may occur.

## THREE PHASE SCROLL COMPRESSOR START UP INFORMATION

Scroll compressors, like several other types of compressors, will only compress in one rotational direction. Direction of rotation is not an issue with single phase compressors since they will always start and run in the proper direction.

However, three phase compressors will rotate in either direction depending upon phasing of the power. Since there is a 50-50 chance of connecting power in such a way as to cause rotation in the reverse direction, ***verification of proper rotation must be made.***

Verification of proper rotation direction is made by observing that suction pressure drops and discharge pressure rises when the compressor is energized. Reverse rotation also results in an elevated sound level over that with correct rotation, as well as, substantially reduced current draw compared to tabulated values.

***Verification of proper rotation must be made at the time the equipment is put into service. If improper rotation is corrected at this time there will be no negative impact on the durability of the compressor. However, reverse operation for even one hour may have a negative impact on the bearing due to oil pump out.***

All three phase scroll compressors used in the I-TEC series are wired identically internally. As a result, once the correct phasing is determined for a specific system or installation, connecting properly phased power leads to the same Fusite terminal should maintain proper rotation direction. The direction of rotation of the motor may be changed by reversing any two line connections to the unit.

## SERVICE HINTS

1. Caution user to maintain clean air filters at all times. Also, not to needlessly close off supply air registers. This may reduce airflow through the system, which shortens equipment service life as well as increasing operating costs and noise levels.
2. Switching to heating cycle at 75°F or higher outside temperature may cause a nuisance trip of the remote reset high pressure switch. Turn thermostat off, then on to reset the high pressure switch.
3. The heat pump wall thermostats perform multiple functions. Be sure that all function switches are correctly set for the desired operating mode before trying to diagnose any reported service problems.
4. Check all power fuses or circuit breakers to be sure they are the correct rating.
5. Periodic cleaning of the outdoor coils to permit full and unrestricted airflow circulation is essential.
6. Annual maintenance is required to make sure that all of the systems are functioning properly.
  - a. Check to make sure that the drains are not obstructed in any way.
  - b. Remove any debris in the condenser section of the unit.
  - c. Inspect and wash outdoor coils as necessary.
7. All motors are sealed and require no oiling.

## SEQUENCE OF OPERATION

**COOLING PART LOAD** – Circuit R-Y1 makes at thermostat pulling in compressor contactor, starting the compressor and outdoor motor. The G (indoor motor) circuit is automatically completed on any call for cooling operation or can be energized by manual fan switch on subbase for constant air circulation.

**COOLING FULL LOAD** – Circuit R-Y1 & Y2 makes at the thermostat energizing the 2nd stage solenoid in the compressor. The default position of the compressor staging solenoid is non-energized. The compressor will run at low capacity until this solenoid is energized.

**HEATING STAGE 1** – A 24V solenoid coil on reversing valve controls heating cycle operation. Two thermostat options, one allowing “Auto” changeover from cycle to cycle and the other constantly energizing solenoid coil during heating season and thus eliminating pressure equalization noise except during defrost, are to be used. On “Auto” option a circuit is completed from R-B and R-Y1 on each heating “on” cycle, energizing reversing valve solenoid and pulling in compressor contactor starting compressor and outdoor motor. R-G also make starting indoor blower motor. Heat pump heating cycle now in operation. The second option has no “Auto” changeover position, but instead energizes the reversing valve solenoid constantly whenever the system switch on subbase is placed in “Heat” position, the “B” terminal being constantly energized from R. A thermostat demand for Stage 1 heat completes R-Y1 circuit, pulling in compressor contactor starting compressor and outdoor motor. R-G also make starting indoor blower motor.

**HEATING STAGE 2** – Circuit R-Y1 & Y2 makes at the thermostat energizing the 2nd stage solenoid in the compressor.

## PRESSURE SERVICE PORTS

High and low pressure service ports are installed on all units so that the system operating pressures can be observed. Pressure tables can be found later in the manual covering all models. It is imperative to match the correct pressure table to the unit by model number. Upper and lower service doors must be attached to obtain proper reading.

## LOWERING OUTDOOR FAN SPEED for SOUND

Supplied in the Literature Assembly is a Fan Control Resistor Assembly that can be installed to lower the fan speed for reduced sound performance. This Resistor Assembly is to be installed in series with the Outdoor Fan Control Thermistor to change the temperature curve that the fan logic control sees.

*It is anticipated that you will see a 2-3% drop in system capacity and efficiency when this resistor is installed.*

To install the Resistor Assembly:

1. Locate Fan Control Resistor Assembly in Literature Packet hanging on right inside door of unit.
2. Throw main power disconnect to the “OFF” position to eliminate risk of injury or death due to electrical shock.
3. Remove four (4) screws that retain the control panel cover to the unit.
4. Locate Fan Logic Control Board.
5. Locate one of the red leads of the Fan Control Thermistor where it attaches to the Fan Logic Control and remove it.
6. Install resistor in-line with the thermistor lead removed in Step #5, and then connect back onto the Fan Logic Control Board.

## DEFROST CYCLE

The defrost cycle is controlled by temperature and time on the solid state heat pump control. See Figure 20.

When the outdoor temperature is in the lower 40°F temperature range or colder, the outdoor coil temperature is 32°F or below. This coil temperature is sensed by the coil temperature sensor mounted near the bottom of the outdoor coil. Once coil temperature reaches 30°F or below, the coil temperature sensor sends a signal to the control logic of the heat pump control and the defrost timer will start accumulating run time.

After 30, 60 or 90 minutes of heat pump operation at 30°F or below, the heat pump control will place the system in the defrost mode. Factory default setting is 90 minutes.

During the defrost mode, the refrigerant cycle switches back to the cooling cycle, the outdoor motor stops, electric heaters are energized, and hot gas passing through the outdoor coil melts any accumulated frost. When the temperature rises to approximately 57°F, the coil temperature sensor will send a signal to the heat pump control which will return the system to heating operations automatically.

If some abnormal or temporary condition such as a high wind causes the heat pump to have a prolonged defrost cycle, the heat pump control will restore the system to heating operation automatically after 8 minutes.

The heat pump defrost control board has an option of 30, 60 or 90-minute setting. All models are shipped from the factory on the 90-minute pin. If special circumstances require a change to another time, remove the wire from the 90-minute terminal and reconnect to the desired terminal.

The manufacturer's recommendation is for 90-minute defrost cycles. Refer to Figure 20.

There is a cycle speed up jumper on the control. This can be used for testing purposes to reduce the time between defrost cycle operation without waiting for time to elapse.

Use a small screwdriver or other metallic object, or another ¼ inch QC, to short between the *SPEEDUP* terminals to accelerate the HPC timer and initiate defrost.

Be careful not to touch any other terminals with the instrument used to short the *SPEEDUP* terminals. It may take up to 15 seconds with the *SPEEDUP* terminals shorted for the speedup to be completed and the defrost cycle to start.

**As soon as the defrost cycle kicks in remove the shorting instrument from the *SPEEDUP* terminals.**

Otherwise the timing will remain accelerated and run through the 1-minute minimum defrost length sequence in a matter of seconds and will automatically terminate the defrost sequence.

There is an initiate defrost jumper (sen jump) on the control that can be used at any outdoor ambient during the heating cycle to simulate a 0° coil temperature.

This can be used to check defrost operation of the unit without waiting for the outdoor ambient to fall into the defrost region.

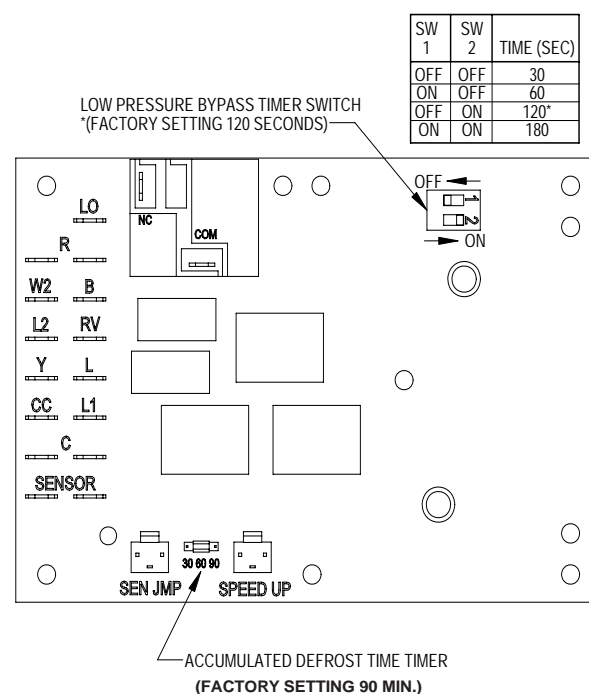
By placing a jumper across the *SEN JMP* terminals (a ¼ inch QC terminal works best) the defrost sensor mounted on the outdoor coil is shunted out & will activate the timing circuit. This permits the defrost cycle to be checked out in warmer weather conditions without the outdoor temperature having to fall into the defrost region.

**In order to terminate the defrost test the *SEN JMP* jumper must be removed.** If left in place too long, the compressor could stop due to the high pressure control opening because of high pressure condition created by operating in the cooling mode with outdoor fan off.

Pressure will rise fairly fast as there is likely no actual frost on the outdoor coil in this artificial test condition.

There is also a 5-minute compressor time delay function built into the HPC. This is to protect the compressor from short cycling conditions. The board's LED will have a fast blink rate when in the compressor time delay. In some instances, it is helpful to the service technician to override or speed up this timing period, and shorting out the *SPEEDUP* terminals for a few seconds can do this.

**FIGURE 20  
DEFROST CYCLE**



MIS-2668 A



# I-TEC COMMERCIAL ROOM VENTILATOR SYSTEM

## GENERAL DESCRIPTION

The I-TEC Commercial Room Ventilator (CRV) is designed to be used with all Bard I-TEC models. The only intent of this device is to provide the required ventilation by delivering fresh air to meet I.A.Q. (Indoor Air Quality) requirements. In the installed application, this system also includes exhaust provisions which are balanced with the intake air to maintain building pressurization requirements of ASHRAE 62.1 Standard.

Ventilation is accomplished with (2) blower/motor assemblies for maximum ventilation at low sound levels. The intake and exhaust blowers are programmed independently and are balanced to maintain a slight positive pressurization in accordance to ASHRAE 62.1 Standard.

The I-TEC CRV is also provided with filters to reduce the required service needed and to further improve the I.A.Q. The exhaust air blowers are protected by disposable filters, and the intake air blowers are protected by washable filters. Both are accessible without the need for tools.

## CONTROL WIRING

The I-TEC CRV comes wired from the factory set to 375 CFM of ventilation. Care must be taken when deciding how to control the operation of the ventilator. When designing the control circuit for the ventilator, the following requirements must be met.

1. The indoor blower must be run whenever the I-TEC CRV is run.
2. Select and configure the correct CFM ventilation level that the I-TEC CRV needs to operate and configure the system to this level following later instructions within this section. Over ventilating serves no useful purpose and significantly affects the overall efficiency of the heat pump system. System operating costs would also increase.
3. Run the I-TEC CRV only during periods when the conditioned space is occupied. Running the ventilation during unoccupied periods wastes energy, decreases the expected life of the CRV, and can result in large moisture buildup in the structure. Running the CRV when the structure is unoccupied allows moisture to build up in the structure because there is little or no cooling load. Thus, the air conditioner is not running enough to remove the excess moisture being brought in. Use a control system that in some way can control the system based upon occupancy.

## NOTICE

Operating the I-TEC CRV during unoccupied periods can result in a build up of excess moisture in the structure.

## RECOMMENDED CONTROL SEQUENCES

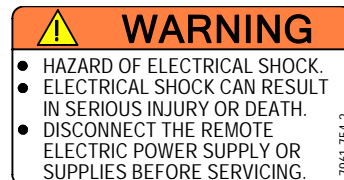
Several possible scenarios are listed below:

1. Use a programmable electronic thermostat with auxiliary terminal to control the CRV based on daily programmed occupancy periods. Bard markets and recommends Bard Part #8403-060 programmable electronic thermostat.
2. Use Bard CompleteStat™ that incorporates temperature, humidity and occupancy control with learning capability into a single device. No programming required.
3. Use a DDC control system to control the CRV based upon a room occupancy schedule to control the CRV.
4. Tie the operation of the CRV into the light switch. The lights in a room are usually on only when occupied.
5. Use a manual timer that the occupants turn to energize the CRV for a specific number of hours.
6. Use a programmable mechanical timer to energize the CRV and indoor blower during occupied periods of the day.

**NOTE:** *The ventilation package comes with a blower interlock function, but is disabled when it is shipped from the factory in case you do not utilize a thermostat with an occupancy output, or a occupancy sensor and must tie "A" terminal to "G" terminal to drive the ventilation package. If you do have a thermostat or control that does drive occupancy output, you will need to remove the tape from the orange wire located in the low voltage terminal box, and connect it to the "G" terminal to activate this function. (See Figures 13-19.)*

## SETTING THE VENTILATION CFM LEVELS

The I-TEC CRV has four pre-set levels of ventilation CFM available. These are 300, 375, 450 and 525 CFM of ventilation air. The I-TEC CRV is shipped from the factory set on the 375 CFM ventilation level. To change between these four different levels of provided ventilation CFM, first refer to Figure 21 to look up the corresponding CFM needed for the intake and exhaust blowers to meet the design criteria and determine which "speed/wire color" is needed. Then, perform the following steps.

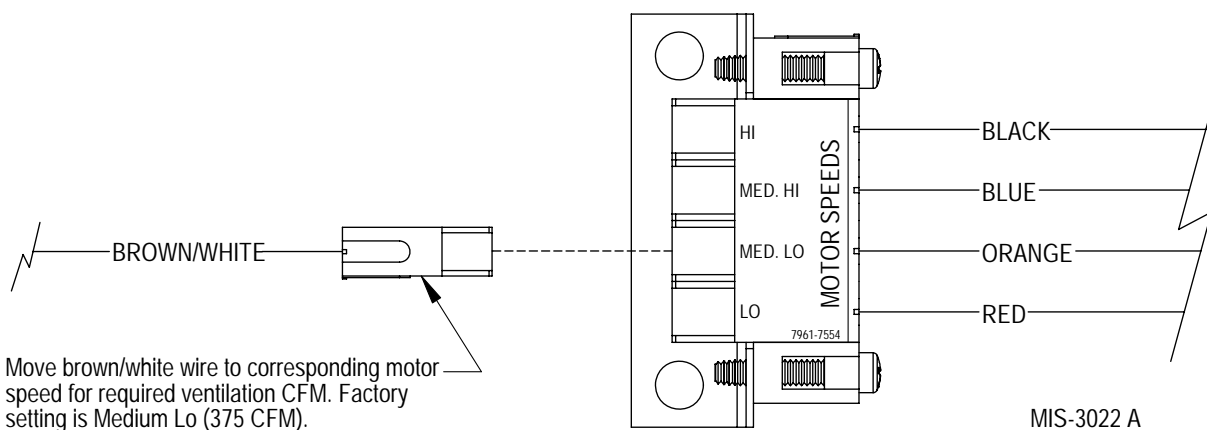


1. Open front swinging doors of main unit (by popping front door latches).
2. Throw main power disconnect to the "OFF" position to eliminate risk of injury or death due to electrical shock.
3. Remove six (6) screws holding front CRV door in place (See Figure 22).
4. Locate "Brown Wire with White Trace" that has a black terminal on the end where it connects to the terminal strip (See Figure 21).
5. Move "Brown Wire with White Trace" to the corresponding CFM level needed in accordance with Figure 21.

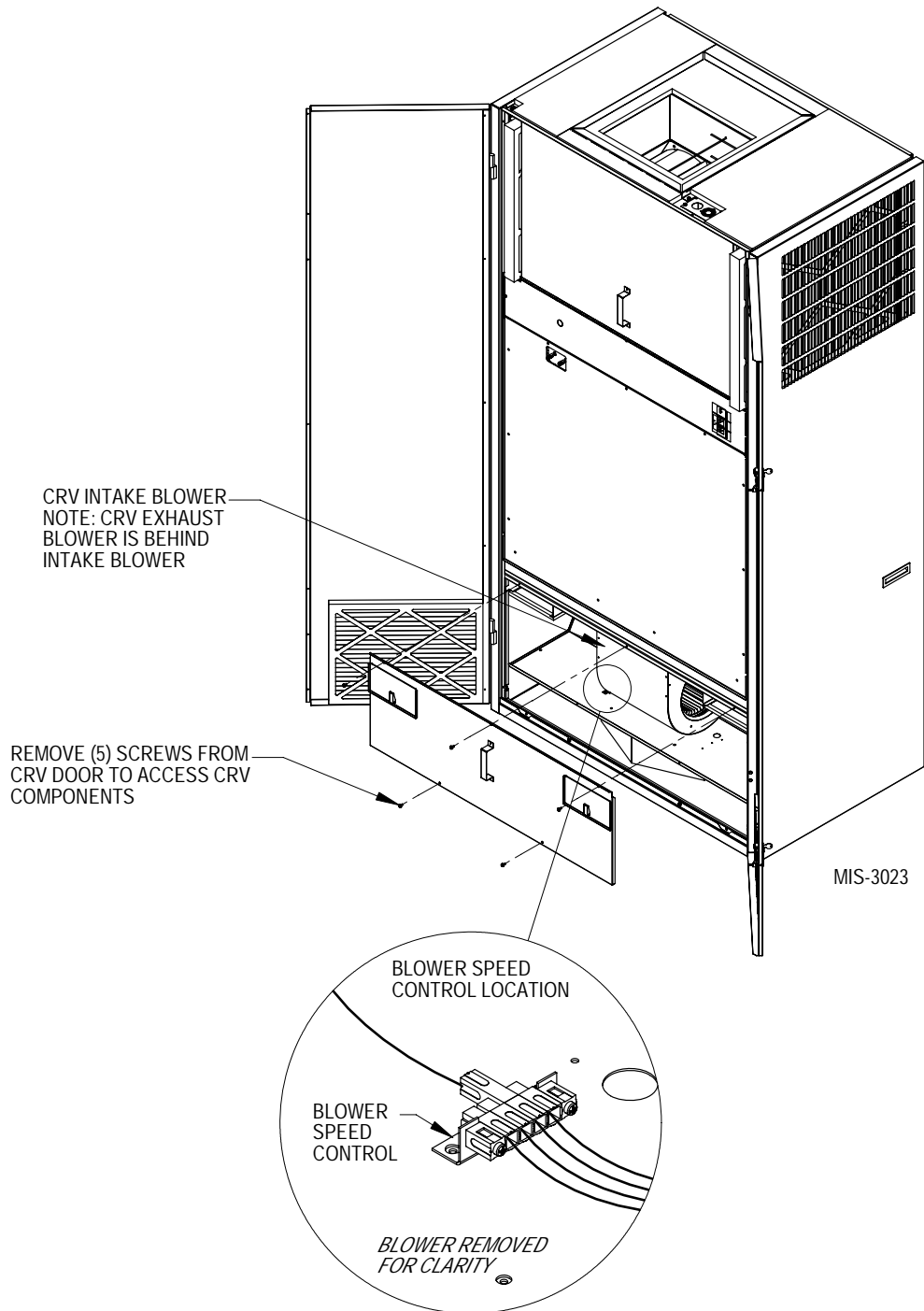
**FIGURE 21  
CRV MOTOR SPEED/CFM CONFIGURATION**

| VENT OPTION INTAKE/EXHAUST SPEEDS |        |          |
|-----------------------------------|--------|----------|
| WIRE COLOR                        | SPEED  | NOM. CFM |
| BLACK                             | HI     | 525      |
| BLUE                              | MED-HI | 450      |
| ORANGE                            | MED-LO | 375      |
| RED                               | LO     | 300      |

TO CHANGE SPEEDS, MOVE BROWN WIRE WITH WHITE TRACE.  
7961-755-2



**FIGURE 22**  
**CRV SPEED CHANGE TERMINAL ACCESS**



## I-TEC COMBINATION CRV & ECONOMIZER VENTILATION SYSTEM

### DESCRIPTION

The I-TEC combination Commercial Room Ventilator (CRV) and Dry Bulb Economizer is designed to be used with all Bard I-TEC models. This ventilation package and its control provides two (2) roles:

- It will provide the required ventilation by delivering fresh air to meet I.A.Q. (Indoor Air Quality) requirements through CRV portion of the device.
- It will provide up to 525 CFM of free outdoor cooling CFM when the outdoor ambient temperature is below the outdoor thermostat setpoint.

Ventilation is accomplished with (2) blower/motor assemblies for maximum ventilation at low sound levels. The intake and exhaust blowers are programmed independently and are balanced to maintain a slight positive pressurization in accordance to ASHRAE 62.1 Standard.

The Ventilation Package is also provided with filters to reduce the required service needed and to further improve the I.A.Q. The exhaust air blowers are protected by disposable filters, and the intake air blowers are protected by washable filters. Both are accessible without the need for tools.

### CONTROL WIRING

Refer to Low Voltage Connection (Figure 19).

Reference Figure 23 for Control Sequence of Operation.

## NOTICE

Operating the I-TEC CRV during unoccupied periods can result in a build up of excess moisture in the structure.

## WARNING

Open disconnect to shut all power OFF before doing this! Failure to do so could result in injury or death due to electrical shock.

### SETTING THE VENTILATION CFM LEVELS

The I-TEC CRV has four (4) pre-set levels of ventilation CFM available. These are 300, 375, 450 and 525 CFM of ventilation air. This ventilation package is shipped from the factory set on the 375 CFM ventilation level while the Economizer portion is set on the 525 CFM ventilation level. To change between these four different levels of provided ventilation CFM, refer to Figure 24 to look up the corresponding CFM needed for the intake and exhaust blowers to meet the design criteria and determine which “speed/wire color” is needed.

Perform the following steps:

1. Open front swinging doors of main unit (by popping front door latches).

2. Throw main power disconnect to the “OFF” position to eliminate risk of injury or death due to electrical shock.
3. Remove six (6) screws holding front CRV door in place (see Figure 22).
4. For CRV blower speed, locate “Brown Wire with White Trace” that has a black terminal on the end where it connects to the terminal strip (see Figure 24).
5. Move the “Brown Wire with White Trace” to the corresponding CFM level needed in accordance with Figure 24.
6. For Economizer Blower Speed, locate “Pink Wire” that has a black terminal on the end where it connects to the terminal strip (see Figure 24).
7. Move the “Pink” to the corresponding CFM level needed in accordance with Figure 24.

## I-TEC ECON. SEQUENCE OF OPERATION

### If outdoor temperature is below outdoor thermostat setpoint

#### On call from CompleteStat for first stage cooling:

- “YO” thermostat signal powers vent blower motors at Economizer Speed/Airflow (black – 525 CFM) through NC contacts of Relay “R1” (“Dehum Relay”).

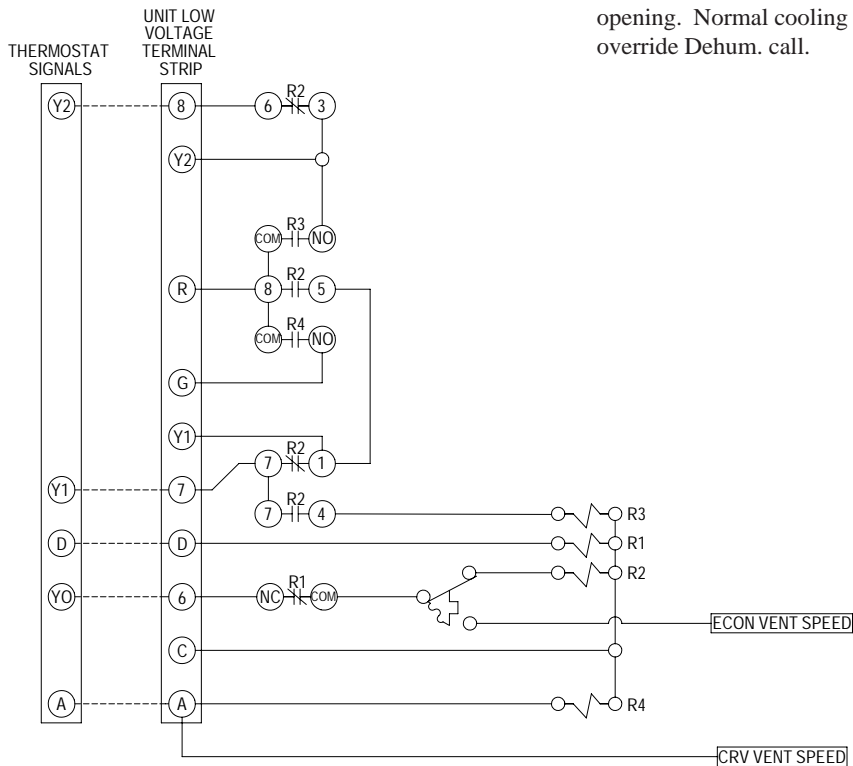
#### On call from CompleteStat for first and second stage cooling:

- “YO” thermostat signal powers vent blower motors at Economizer Speed/Airflow (black – 525 CFM) through NC contacts of Relay “R1” (“Dehum Relay”).
- “Y1” thermostat signal powers “Y1” terminal on unit low voltage terminal strip through NC contacts of relay “R2” (“High Ambient Relay”).

#### On call from CompleteStat for first, second and third stage cooling:

- “YO” thermostat signal powers vent blower motors at Economizer Speed/Airflow (black – 525 CFM) through NC contacts of Relay “R1” (“Dehum Relay”).
- “Y1” thermostat signal powers “Y1” terminal on unit low voltage terminal strip through NC contacts of relay “R2” (“High Ambient Relay”).
- “Y2” thermostat signal powers “Y2” terminal on unit low voltage terminal strip through NC contacts of relay “R2” (“High Ambient Relay”).

FIGURE 23 ECONOMIZER CONTROL CIRCUIT



R1 = DEHUM RELAY  
 R2 = HIGH AMBIENT RELAY  
 R3 = FULL LOAD RELAY  
 R4 = BLOWER INTERLOCK RELAY

----- FIELD WIRE  
 \_\_\_\_\_ FACTORY WIRE

MIS-3272

### If outdoor temperature is above outdoor thermostat setpoint

#### On call from CompleteStat for first stage cooling:

- “YO” thermostat signal powers relay coil “R2”. “R2” relay then closes NO contact between “R” and “Y1” at low voltage terminal strip engaging stage 1 mechanical cooling. NC contacts of relay “R2” that connects thermostat “Y1” to “Y1” on low voltage terminal strip is opened to eliminate feedback.

#### On call from CompleteStat for first and second stage cooling:

- “YO” thermostat signal powers relay coil “R2”. “R2” relay then closes NO contact between “R” and “Y1” at low voltage terminal strip engaging stage 1 mechanical cooling. NC contacts of relay “R2” that connects thermostat “Y1” to “Y1” on low voltage terminal strip is opened to eliminate feedback.
- “Y1” thermostat signal powers relay coil “R3” through now closed relay contacts “R2” closing contacts between “R” and “Y2” at low voltage terminal strip.
- “Y2” thermostat signal will do nothing, as NC contacts of relay “R2” are now opened to eliminate any feedback to thermostat.

### Dehumidification Mode

#### On call from CompleteStat for dehumidification:

- “D” thermostat signal powers relay coil “R1” (Dehum. Relay). “R1” relay, then opens NC contact between “YO” and outdoor thermostat.
  - This will then negate any ECONOMIZER SPEED SIGNAL from energizing the ventilation package.
  - “Y1” & “Y2” thermostat signals will pass through NC contacts of Relay “R2” (“High Ambient Relay”) as relay coil “R2” will be rendered inoperable by “R1” contacts opening. Normal cooling calls can then still apply to override Dehum. call.

## HEATING MODE OPERATION

CompleteStat should never energize “YO” terminals in conjunction with “B”, so relay “R2” will never energize, and neither will Economizer Ventilation Speed.

“Y1” and “Y2” signals will pass through NC contacts of relay “R2” contacts, and all heating operations will be normal.

## VENTILATION MODE

The call for ventilation will never be disrupted with this control circuit. Anytime “A” signal from CompleteStat is present, the “VENTILATION SPEED” of the vent package will be energized. “A” Signal from thermostat will also energize relay “R4” (“Blower Interlock Relay”) completing a circuit from “R” to “G” through the “NO” contacts to ensure blower operations on the ventilation call.

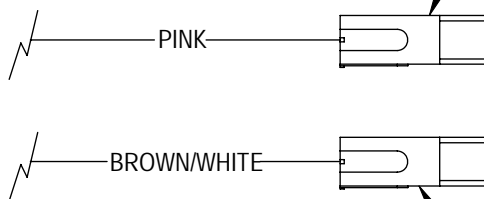
**FIGURE 24**  
**MOTOR SPEED/CFM CONFIGURATION**

| VENT OPTION INTAKE/EXHAUST SPEEDS |        |          |
|-----------------------------------|--------|----------|
| WIRE COLOR                        | SPEED  | NOM. CFM |
| BLACK                             | HI     | 525      |
| BLUE                              | MED-HI | 450      |
| ORANGE                            | MED-LO | 375      |
| RED                               | LO     | 300      |

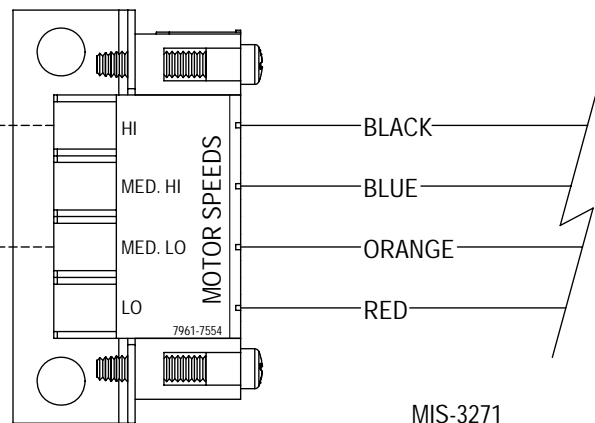
TO CHANGE SPEEDS, MOVE BROWN WIRE WITH WHITE TRACE.

7961-755-2

Move pink wire to corresponding motor speed for required economizer operation CFM. Factory setting is High (525 CFM).



Move brown/white wire to corresponding motor speed for required ventilation CFM. Factory setting is Medium Lo (375 CFM).



MIS-3271

## I-TEC ENERGY RECOVERY VENTILATOR SYSTEM

### GENERAL DESCRIPTION

The I-TEC Energy Recovery Ventilator (ERV) was designed to provide energy efficient, cost effective ventilation to meet I.A.Q (Indoor Air Quality) requirements while still maintaining good indoor comfort and humidity control for a variety of applications such as schools, classrooms, lounges, conference rooms and others. It provides a constant supply of fresh air for control of airborne pollutants including CO<sub>2</sub>, smoke, radon, formaldehyde, excess moisture, virus and bacteria.

The ERV incorporates patented rotary heat exchanger technology to remove both heat and moisture. The package consists of unique rotary Energy Recovery Cassettes that can be easily removed for cleaning or maintenance. It has two 15-inch diameter heat transfer wheels for efficient heat transfer. The heat transfer wheels use a permanently bonded dry desiccant coating for total heat recovery.

The I-TEC ERV is also provided with filters to reduce the required service needed and to extend the life of the heat recovery wheels. The exhaust air blower is protected by disposable filters, and the intake air blower is protected by washable filters. Both are accessible without the need for tools.

Ventilation is accomplished with (2) blower/motor assemblies for maximum ventilation at low sound levels. The intake and exhaust blowers can be independently adjusted to maintain desired building pressurization conditions. The rotating wheels provide the heat transfer effectively during both summer and winter conditions. Provides required ventilation to meet the requirements of ASHRAE 62.1 Standard.

***NOTE: During operation below 5°F outdoor temperature, freezing of moisture in the heat transfer wheel can occur. Consult the factory if this possibility exists.***

The I-TEC ERV can be controlled in different ways. It can be turned ON/OFF with an occupancy control, thermostat, or CO<sub>2</sub> control. It can also be configured for fully-modulating variable speed with a CO<sub>2</sub> control to only bring in the minimal amount of ventilation required (helping to minimize sound levels and ventilation load on the structure).

### CONTROL WIRING

The I-TEC ERV comes wired from the factory ready to operate in manual mode (ON/OFF cycling) and set to 375 CFM of ventilation. Care must be taken when deciding how to control the operation of the ventilator. When designing the control circuit for the ventilator, the following requirements must be met.

1. The indoor blower must be run whenever the I-TEC ERV is run.
2. Select and configure the correct CFM ventilation level that the I-TEC ERV needs to operate and configure the system to this level following later instructions within this section. Over ventilating serves no useful purpose and significantly affects the overall efficiency of the heat pump system. System operating costs would also increase.
3. Run the I-TEC ERV only during periods when the conditioned space is occupied. Running the ERV during unoccupied periods wastes energy, decreases the expected life of the ERV, and can result in large moisture buildup in the structure. The ERV removes 60-70% of the moisture in the incoming air, not 100% of it. Running the ERV when the structure is unoccupied allows moisture to build up in the structure because there is little or no cooling load. Thus, the air conditioner is not running enough to remove the excess moisture being brought in. Use a control system that in some way can control the system based upon occupancy.

## NOTICE

Operating the I-TEC ERV during unoccupied periods can result in a build up of excess moisture in the structure.



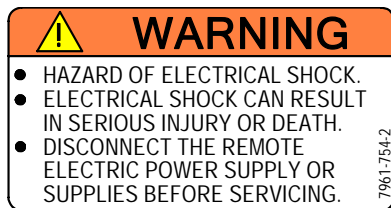
## RECOMMENDED CONTROL SEQUENCES

Several possible scenarios are listed below:

1. Use a programmable electronic thermostat with auxiliary terminal to control the ERV based on daily programmed occupancy periods. Bard markets and recommends Bard Part #8403-060 programmable electronic thermostat.
2. Use a motion sensor in conjunction with a mechanical thermostat to determine occupancy in the structure. Bard markets the CS2000A for this use.
3. Use a DDC control system to control the ERV based upon a room occupancy schedule to control the ERV.
4. Tie the operation of the ERV into the light switch. The lights in a room are usually on only when occupied.
5. Use a manual timer that the occupants turn to energize the ERV for a specific number of hours.
6. Use a programmable mechanical timer to energize the ERV and indoor blower during occupied periods of the day.

**NOTE:** *The ventilation package comes with a blower interlock function, but is disabled when it is shipped from the factory in case you do not utilize a thermostat with an occupancy output, or a occupancy sensor and must tie "A" terminal to "G" terminal to drive the ventilation package. If you do have a thermostat or control that does drive occupancy output, you will need to remove the tape from the orange wire located in the low voltage terminal box, and connect it to the "G" terminal to activate this function. (See Figures 13-19.)*

## CHANGING VENTILATION CFM RATES IN MANUAL MODE



To adjust the airflow ventilation rate, first refer to Figure 25A to look up the "FLOW INDEX" needed for the intake and exhaust blowers for the CFM you require. Then, perform the following steps:

1. Open front swinging doors of main unit (by popping front door latches).
2. Throw main power disconnect to the "OFF" position to eliminate risk of injury or death due to electrical shock.
3. Remove five (5) screws holding front ERV door in place (See Figure 27).
4. Remove ERV Control Panel Cover by removing four (4) screws (See Figure 27).
5. Locate two 0-10Vdc Motor Control Boards in control panel (See Figure 28).

6. On intake Motor Control Board, observing "GREEN STATUS LIGHT", turn manual adjust potentiometer "CCW" to increase "FLOW INDEX" or CW to reduce "FLOW INDEX" to match desired setting.

**NOTE:** *After long pause, the green status light will blink long-blinks for the "TEN COUNT" of the "FLOW RATE INDEX", then immediately followed by fast blinks which indicate the second digit. For example, a Flow Index of 23 would be two long blinks, followed by 3 fast blinks of the "GREEN STATUS LIGHT".*

7. On exhaust Motor Control Board, observing "GREEN STATUS LIGHT", turn manual adjust potentiometer "CCW" to increase "FLOW INDEX" or CW to reduce "FLOW INDEX" to match desired setting.

**NOTE:** *Same "GREEN STATUS LIGHT" blink as Step #6.*

## CHANGING TO FULLY MODULATING MODE

If you want to operate the ERV in fully variable mode (Fig. 25B) (only run at required speed to maintain set-point CO2 levels), you will need to configure the ERV to the following:

1. Open front swinging doors of main unit (by popping front door latches).
2. Throw main power disconnect to the "OFF" position to eliminate risk of injury or death due to electrical shock.
3. Remove ERV Control Panel Cover by removing four (4) screws (See Figure 27).
4. Locate two 0-10Vdc Motor Control Boards in control panel (See Figure 28).
5. Pull jumper pins from "M" terminals, and move to "P" terminals (See Figure 28).
6. Connect "+" 0-10Vdc output from CO2 control to Terminal #3 (along with pink wire), and connect "-" to Terminal #4 (along with purple wire) of unit low voltage terminal strip.
7. Follow the directions supplied with the CO2 control to configure the control appropriately.

# PERFORMANCE AND APPLICATION DATA

## SUMMER COOLING PERFORMANCE (INDOOR DESIGN CONDITIONS 75°DB/62°WB)

| Ambient O.D. | VENTILATION RATE 450 CFM<br>65% EFFICIENCY |   |       |       |       |       | VENTILATION RATE 375 CFM<br>66% EFFICIENCY |       |       |       |       |       | VENTILATION RATE 300 CFM<br>67% EFFICIENCY |       |       |      |       |       |      |       |
|--------------|--|---|-------|-------|-------|-------|--|-------|-------|-------|-------|-------|--|-------|-------|------|-------|-------|------|-------|
|              | DB/<br>WB                                  | F | VLT   | VLS   | VLL   | HRT   | HRS  | HRL   | VLT   | VLS   | VLL   | HRT   | HRS  | HRL   | VLT   | VLS  | VLL   | HRT   | HRS  | HRL   |
| 105          | 75   |   | 21465 | 14580 | 6884  | 13952 | 9477                                       | 4475  | 17887 | 12150 | 5737  | 11805 | 8018                                       | 3786  | 14310 | 9720 | 4590  | 9587  | 6512 | 3075  |
|              | 70   |   | 14580 | 14580 | 0     | 9477  | 9477                                       | 0     | 12150 | 12150 | 0     | 8018  | 8018                                       | 0     | 9720  | 9720 | 0     | 6512  | 6512 | 0     |
|              | 65   |   | 14580 | 14580 | 0     | 9477  | 9477                                       | 0     | 12150 | 12150 | 0     | 8018  | 8018                                       | 0     | 9720  | 9720 | 0     | 6512  | 6512 | 0     |
| 100          | 80   |   | 31590 | 12150 | 19440 | 20533 | 7897                                       | 12635 | 26325 | 10125 | 16200 | 17374 | 6682                                       | 10692 | 21060 | 8100 | 12960 | 14110 | 5427 | 8683  |
|              | 75   |   | 21465 | 12150 | 9314  | 13952 | 7897                                       | 6054  | 17887 | 10125 | 7762  | 11805 | 6682                                       | 5123  | 14310 | 8100 | 6210  | 9587  | 5427 | 4160  |
|              | 70   |   | 12352 | 12150 | 202   | 8029  | 7897                                       | 131   | 10293 | 10125 | 168   | 6793  | 6682                                       | 111   | 8235  | 8100 | 135   | 5517  | 5427 | 90    |
|              | 65   |   | 12150 | 12150 | 0     | 7897  | 7897                                       | 0     | 10125 | 10125 | 0     | 6682  | 6682                                       | 0     | 8100  | 8100 | 0     | 5427  | 5427 | 0     |
|              | 60   |   | 12150 | 12150 | 0     | 7897  | 7897                                       | 0     | 10125 | 10125 | 0     | 6682  | 6682                                       | 0     | 8100  | 8100 | 0     | 5427  | 5427 | 0     |
| 95           | 80   |   | 31590 | 9720  | 21870 | 20533 | 6318                                       | 14215 | 26325 | 8100  | 18225 | 17374 | 5345                                       | 12028 | 21060 | 6480 | 14580 | 14110 | 4341 | 9768  |
|              | 75   |   | 21465 | 9720  | 11744 | 13952 | 6318                                       | 7634  | 17887 | 8100  | 9787  | 11805 | 5345                                       | 6459  | 14310 | 6480 | 7830  | 9587  | 4341 | 5246  |
|              | 70   |   | 12352 | 9720  | 2632  | 8029  | 6318                                       | 1711  | 10293 | 8100  | 2193  | 6793  | 5345                                       | 1447  | 8235  | 6480 | 1755  | 5517  | 4341 | 1175  |
|              | 65   |   | 9720  | 9720  | 0     | 6318  | 6318                                       | 0     | 8100  | 8100  | 0     | 5345  | 5345                                       | 0     | 6480  | 6480 | 0     | 4341  | 4341 | 0     |
|              | 60   |   | 9720  | 9720  | 0     | 6318  | 6318                                       | 0     | 8100  | 8100  | 0     | 5345  | 5345                                       | 0     | 6480  | 6480 | 0     | 4341  | 4341 | 0     |
| 90           | 80   |   | 31590 | 7290  | 24300 | 20533 | 4738                                       | 15794 | 26325 | 6075  | 20250 | 17374 | 4009                                       | 13365 | 21060 | 4860 | 16200 | 14110 | 3256 | 10854 |
|              | 75   |   | 21465 | 7290  | 14175 | 13952 | 4738                                       | 9213  | 17887 | 6075  | 11812 | 11805 | 4009                                       | 7796  | 14310 | 4860 | 9450  | 9587  | 3256 | 6331  |
|              | 70   |   | 12352 | 7290  | 5062  | 8029  | 4738                                       | 3290  | 10293 | 6075  | 4218  | 6793  | 4009                                       | 2784  | 8235  | 4860 | 3375  | 5517  | 3256 | 2261  |
|              | 65   |   | 7290  | 7290  | 0     | 4738  | 4738                                       | 0     | 6075  | 6075  | 0     | 4009  | 4009                                       | 0     | 4860  | 4860 | 0     | 3256  | 3256 | 0     |
|              | 60   |   | 7290  | 7290  | 0     | 4738  | 4738                                       | 0     | 6075  | 6075  | 0     | 4009  | 4009                                       | 0     | 4860  | 4860 | 0     | 3256  | 3256 | 0     |
| 85           | 80   |   | 31590 | 4860  | 26730 | 20533 | 3159                                       | 17374 | 26325 | 4050  | 22275 | 17374 | 2672                                       | 14701 | 21060 | 3240 | 17820 | 14110 | 2170 | 11939 |
|              | 75   |   | 21465 | 4860  | 16605 | 13952 | 3159                                       | 10793 | 17887 | 4050  | 13837 | 11805 | 2672                                       | 9132  | 14310 | 3240 | 11070 | 9587  | 2170 | 7416  |
|              | 70   |   | 12352 | 4860  | 7492  | 8029  | 3159                                       | 4870  | 10293 | 4050  | 6243  | 6793  | 2672                                       | 4120  | 8235  | 3240 | 4995  | 5517  | 2170 | 3346  |
|              | 65   |   | 4860  | 4860  | 0     | 3159  | 3159                                       | 0     | 4050  | 4050  | 0     | 2672  | 2672                                       | 0     | 3240  | 3240 | 0     | 2170  | 2170 | 0     |
|              | 60   |   | 4860  | 4860  | 0     | 3159  | 3159                                       | 0     | 4050  | 4050  | 0     | 2672  | 2672                                       | 0     | 3240  | 3240 | 0     | 2170  | 2170 | 0     |
| 80           | 75   |   | 21465 | 2430  | 19035 | 13952 | 1579                                       | 12372 | 17887 | 2025  | 15862 | 11805 | 1336                                       | 10469 | 14310 | 1620 | 12690 | 9587  | 1085 | 8502  |
|              | 70   |   | 12352 | 2430  | 9922  | 8029  | 1579                                       | 6449  | 10293 | 2025  | 8268  | 6793  | 1336                                       | 5457  | 8235  | 1620 | 6615  | 5517  | 1085 | 4432  |
|              | 65   |   | 4252  | 2430  | 1822  | 2764  | 1579                                       | 1184  | 3543  | 2025  | 1518  | 2338  | 1336                                       | 1002  | 2835  | 1620 | 1215  | 1899  | 1085 | 814   |
|              | 60   |   | 2430  | 2430  | 0     | 1579  | 1579                                       | 0     | 2025  | 2025  | 0     | 1336  | 1336                                       | 0     | 1620  | 1620 | 0     | 1085  | 1085 | 0     |
| 75           | 70   |   | 12352 | 0     | 12352 | 8029  | 0  | 8029  | 10293 | 0     | 10293 | 6793  | 0  | 6793  | 8235  | 0    | 8235  | 5517  | 0    | 5517  |
|              | 65   |   | 4252  | 0     | 4252  | 2764  | 0  | 2764  | 3543  | 0     | 3543  | 2338  | 0  | 2338  | 2835  | 0    | 2835  | 1899  | 0    | 1899  |
|              | 60   |   | 0     | 0     | 0     | 0     | 0  | 0     | 0     | 0     | 0     | 0     | 0  | 0     | 0     | 0    | 0     | 0     | 0    | 0     |

## WINTER HEATING PERFORMANCE (INDOOR DESIGN CONDITIONS 70°F DB)

| Ambient O.D. | VENTILATION RATE          |       |                           |       |                           |       |
|--------------|---------------------------|-------|---------------------------|-------|---------------------------|-------|
|              | 450 CFM<br>80% EFFICIENCY |       | 375 CFM<br>81% EFFICIENCY |       | 300 CFM<br>82% EFFICIENCY |       |
| DB/°F        | WVL                       | WHR   | WVL                       | WHR   | WVL                       | WHR   |
| 65           | 2430                      | 1944  | 2025                      | 1640  | 1620                      | 1328  |
| 60           | 4860                      | 3888  | 4050                      | 3280  | 3240                      | 2656  |
| 55           | 7290                      | 5832  | 6075                      | 4920  | 4860                      | 3985  |
| 50           | 9720                      | 7776  | 8100                      | 6561  | 6480                      | 5313  |
| 45           | 12150                     | 9720  | 10125                     | 8201  | 8100                      | 6642  |
| 40           | 14580                     | 11664 | 12150                     | 9841  | 9720                      | 7970  |
| 35           | 17010                     | 13608 | 14175                     | 11481 | 11340                     | 9298  |
| 30           | 19440                     | 15552 | 16200                     | 13122 | 12960                     | 10627 |
| 25           | 21870                     | 17496 | 18225                     | 14762 | 14580                     | 11955 |
| 20           | 24300                     | 19440 | 20250                     | 16402 | 16200                     | 13284 |
| 15           | 26730                     | 21384 | 22275                     | 18042 | 17820                     | 14612 |

### LEGEND:

- VLT = Ventilation Load – Total
- VLS = Ventilation Load – Sensible
- VLL = Ventilation Load – Latent
- HRT = Heat Recovery – Total
- HRS = Heat Recovery – Sensible
- HRL = Heat Recovery – Latent
- WVL = Winter Ventilation Load
- WHR = Winter Heat Recovery

*Note: All performance data is based on operating intake and exhaust blower on the same speed.*

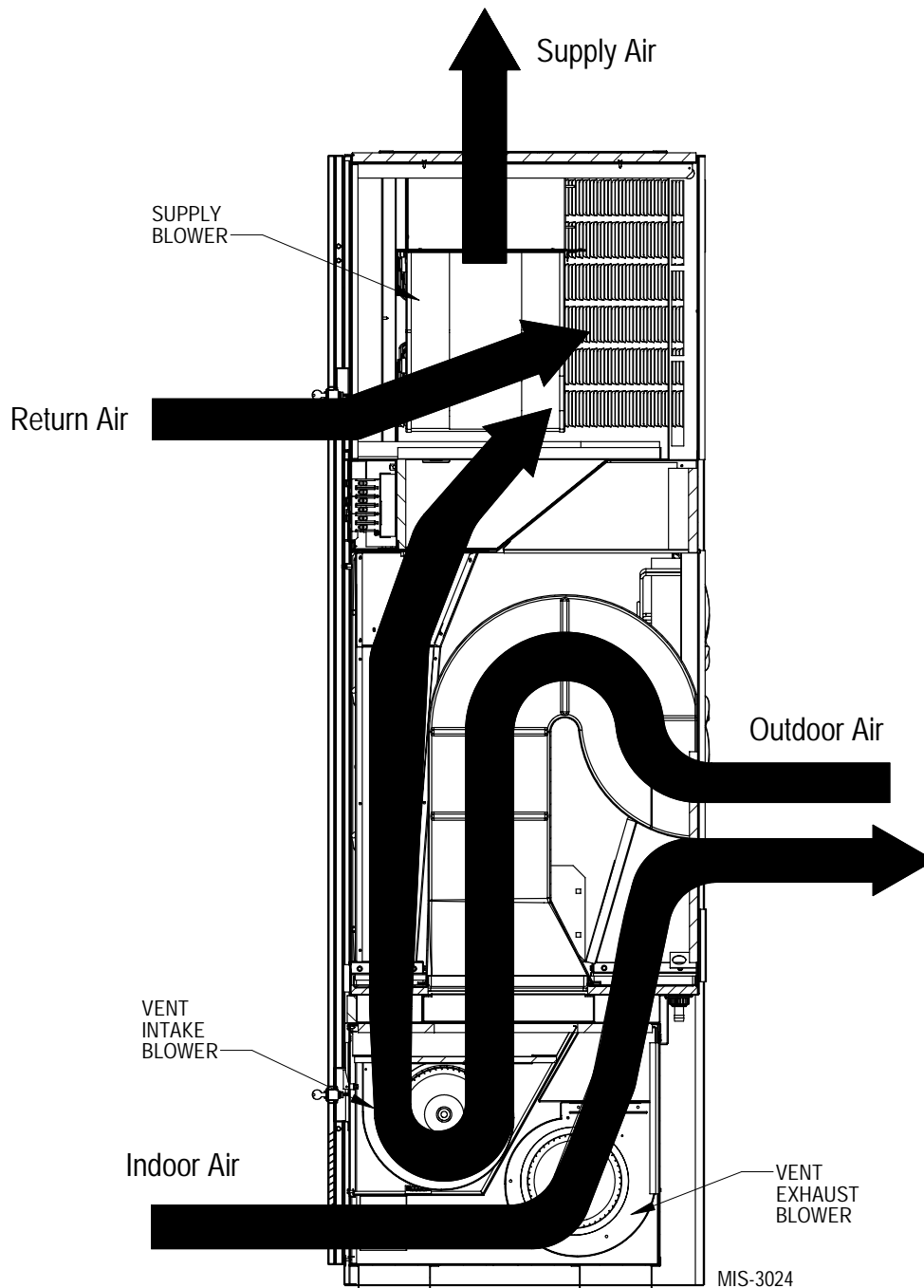
**FIGURE 25A**  
**ERV "MANUAL MODE" JUMPER PIN ON "M" TERMINAL**

| ERV CFM | FLOW INDEX (Light Blink Code) | To adjust the airflow ventilation rate ( <u>NO CO2 CONTROL/NON-MODULATING</u> ), determine the "FLOW INDEX" needed for the intake and exhaust blowers for the CFM you require.   |
|---------|-------------------------------|--|
| 450     | 100                           |  |
| 425     | 89                            | 1.> Locate two 0-10Vdc Motor Control Boards in control panel   |
| 400     | 83                            |  |
| 375     | 76                            |  |
| 350     | 59                            | 2.> On intake Motor Control Board, observing "GREEN STATUS LIGHT", turn manual adjust potentiometer (with a small phillips-head screwdriver) "CCW" to increase "FLOW INDEX" or CW to reduce "FLOW INDEX" to match desired setting. <b><u>(NOTE: After long pause, the green status light will blink long-blinks for the "TEN COUNT" of the "FLOW RATE INDEX", which then is immediately followed by fast blinks which indicate the second digit. For example, a Flow Index of 23 would be two long blinks, followed by 3 fast blinks of the "GREEN STATUS LIGHT".)</u></b> |
| 325     | 50                            |  |
| 300     | 40                            |  |
| 275     | 32                            |  |
| 250     | 25                            |  |
| 225     | 12                            |  |
| 200     | 9                             | 3.> On exhaust Motor Control Board, observing "GREEN STATUS LIGHT", turn manual adjust potentiometer (with a small phillips-head screwdriver) "CCW" to increase "FLOW INDEX" or CW to reduce "FLOW INDEX" to match desired setting. <b><u>(Same GREEN STATUS LIGHT blink (refer to Step #5))</u></b>   |
| 175     | 4                             |  |
| 150     | 1                             |  |

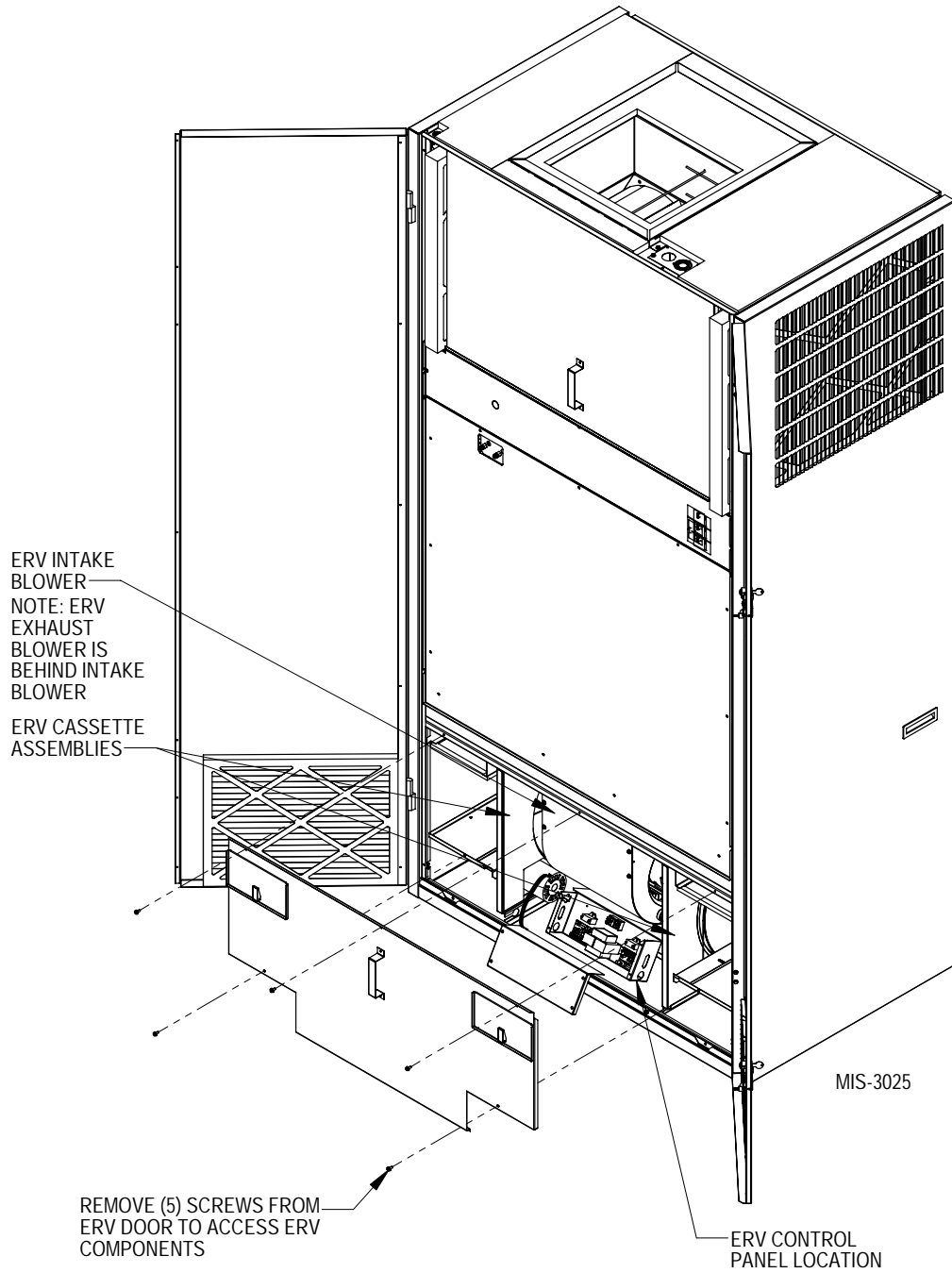
**FIGURE 25B**  
**ERV "MODULATING MODE" JUMPER PIN ON "P" TERMINAL**

| CFM | Vdc Signal from CO2 Control | After determining the air volume rates needed for the intended application (Maximum & Minimum), the table immediately to the left will allow for you to program your CO2 control output voltages in correlation to the CO2 levels you wish to control when Bard Part # 8403-067 CO2 Control is applied. |
|-----|-----------------------------|---|
| 450 | 10                          |   |
| 425 | 8.87                        |   |
| 400 | 8.31                        |   |
| 375 | 7.61                        |   |
| 350 | 6.73                        |   |
| 325 | 5.91                        |   |
| 300 | 5.15                        |   |
| 275 | 4.58                        |   |
| 250 | 4.06                        |   |
| 225 | 2.91                        |   |
| 200 | 2.57                        |   |
| 175 | 2.24                        |   |
| 150 | 1.74                        |   |
| 125 | 0.96                        |   |
| 100 | 0.77                        |   |

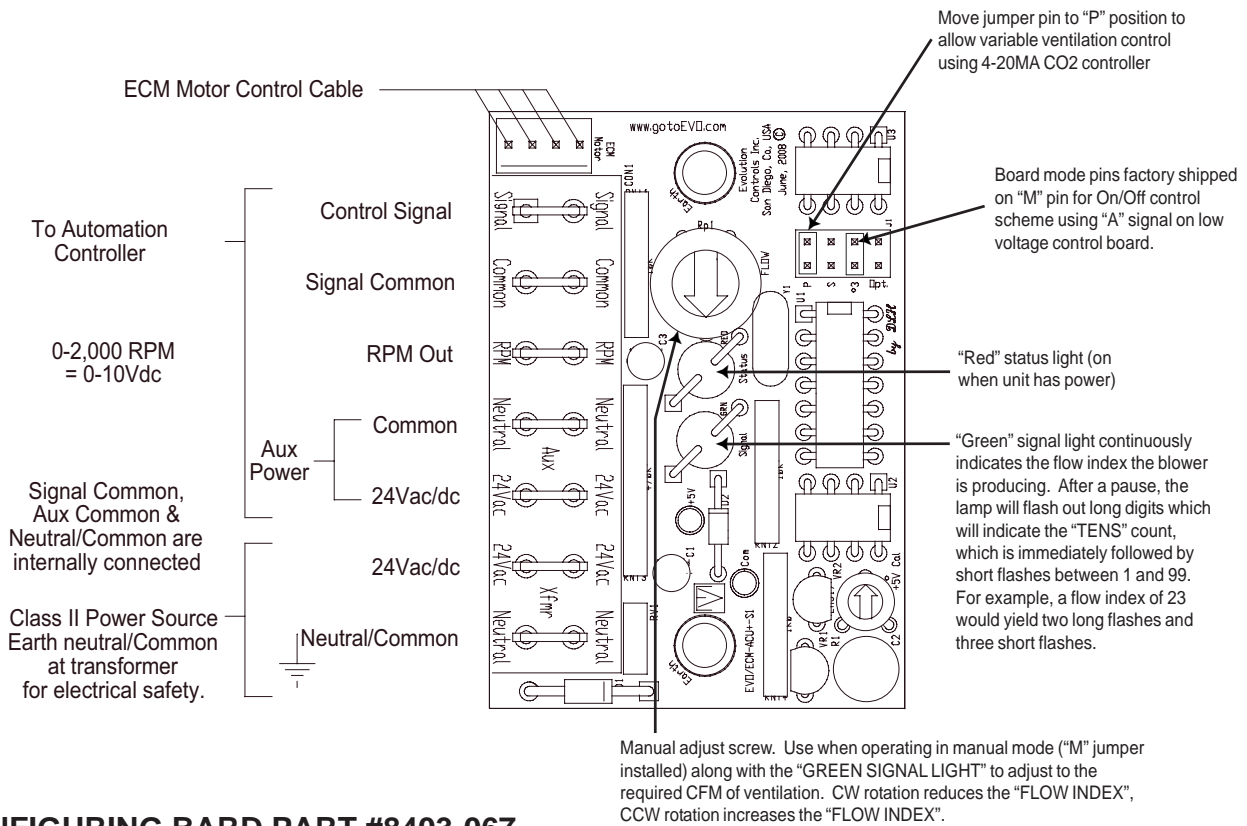
**FIGURE 26**  
**VENTILATION AIRFLOW DIAGRAM**



**FIGURE 27**  
**ERV ACCESS**



**FIGURE 28  
CONTROL BOARD CONFIGURATION/SETTING**



## CONFIGURING BARD PART #8403-067 CO<sub>2</sub> CONTROL for ERV MODULATING CONTROL

### BARD PART #8403-067

**Carbon Dioxide and Temperature Transmitters** accurately monitor the CO<sub>2</sub> concentration and temperature in schools, office buildings, and other indoor environments to help achieve LEED® certification.

### SPECIFICATIONS

**Range:** CO<sub>2</sub>: 0 to 2000 or 0 to 5000 ppm (depending on model)  
Temperature: 32 to 122°F (0 to 50°C).

**Accuracy:** ±40 ppm + 3% of reading.

**Temperature Dependence:** ±8 ppm / °C at 1100 ppm.

**Non-Linearity:** 16 ppm.

**Pressure Dependence:** 0.13% of reading per mm of Hg.

**Response Time:** 2 minutes for 99% step change.

**Ambient Operating Temperature:** 32 to 122°F (0 to 50°C).

**Ambient Operating Humidity:** 10 to 95% RH (non-condensing).

**Power Requirements:** 16 to 35 VDC / 19 to 28 VAC.

**Power Consumption:** Average: 2 watts; Peak: 3.75 watts.

**Sensor:** Single beam, dual-wave length NDIR.

### Output:

Current: 4 to 20 mA (max 500 Ω);

Voltage: 0 to 5 VDC or 0 to 10 VDC (min 500 Ω);

Relay: SPST NO 2A @ 30 VDC;

RTD or thermistor per r-t curves (depending on model)

**Weight:** 5.6 oz (158.8 g)

**WARNING** Disconnect power supply before installation to prevent electrical shock and equipment damage.

Make sure all connections are in accordance with the job wiring diagram and in accordance with national and local electrical codes. Use copper conductors only.

**CAUTION** Use electrostatic discharge precautions (e.g., use of wrist straps) during installation and wiring to prevent equipment damage.

**CAUTION** Avoid locations where severe shock or vibration, excessive moisture or corrosive fumes are present.

**CAUTION** Do not exceed ratings of this device, permanent damage not covered by warranty may result.

**NOTICE** Upon powering the transmitter, the firmware version will flash on the display. A warm up period of 30 minutes is required for the transmitter to adjust to the current CO<sub>2</sub> concentration.

**NOTICE** Self calibration feature of the transmitter requires exposure to normal outdoor equivalent carbon dioxide level once every thirty days.

## CONFIGURING BARD PART #8403-067 CO<sub>2</sub> CONTROL for ERV MODULATING CONTROL (Continued)

### MOUNTING

1. Push tab on bottom of cover and lift cover from back plate.
2. Select the mounting location, away from diffusers, lights or any external influences.
3. Mount transmitter on a vertical surface to a standard electrical box using the two #6 M2C type screws provided.
4. Pull wires through sub base hole and make necessary connections.
5. Reattach cover to base plate.

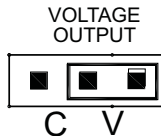
### WIRING

Use maximum 18 AWG wire for wiring to terminals. Refer to Figures 13-19 for wiring information.

### SELECTION OF VOLTAGE OUTPUTS

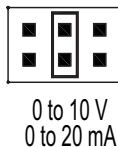
Prior to wiring, verify the voltage selector jumpers on jumpers PJ1 and PJ2 are set to voltage (See Figure below).

#### CURRENT/VOLTAGE OUTPUT SELECTION JUMPER (PJ1 & PJ2)



Next, move jumper PJ5 to the 0-10V range (See Figure below).

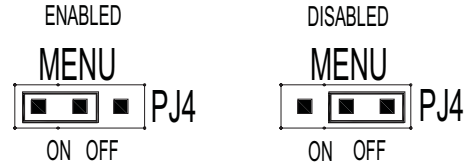
#### OUTPUT RANGE SELECTION JUMPER PJ5



### EDITING MENU PARAMETERS

Before any adjustment can be made to the transmitter, the Menu Lockout Jumper (PJ4) must be set to the “On” position (See Figure below).

#### MENU LOCKOUT JUMPER



Finish installing/wiring the control. Then, refer to Figure 20 and the building ventilation specifications to decide what the maximum ventilation rate desired is and what the minimum/maximum voltage signal is required for those levels.



Next, enter the control programming stage listed below once the system is powered-up to configure the control.

### ACCESSING MENU PARAMETERS

- Step 1:** To enter the menu structure, press and simultaneously for 5 seconds (display will show RON parameter).
- Step 2:** Press or to cycle between menu items.
- Step 3:** Press to edit the value for the displayed menu item (SET will appear on display).
- Step 4:** Press or to adjust the value of the menu item.
- Step 5:** Press to save the changes (SET will disappear).
- Step 6:** Repeat Steps 2 through 5 for each of the parameters.
- Step 7:** To exit the menu at any time, press and hold and simultaneously for 5 seconds or wait 10 seconds without pushing any buttons.



## MENU DESCRIPTIONS

- RON** Relay on set point  
Sets the CO<sub>2</sub> concentration which the optional relay is energized.  
Low limit: 0 PPM  
Factory setting: 1000 PPM  
High limit: 2000/5000 PPM (depending on model)
- ROF** Relay off set point  
Sets the CO<sub>2</sub> concentration which the optional relay is de-energized. Setting value lower than RON provides direct action for detecting high concentrations of CO<sub>2</sub>. Setting value higher than RON provides indirect action for detecting low concentrations of CO<sub>2</sub>.  or  on the LCD display will be lit to indicate when the relay is energized.  
Low limit: 0 PPM  
Factory setting: 950 PPM  
High limit: 2000/5000 PPM (depending on model)
- DSP** Display configuration  
Determines the LCD display configuration during normal operation. The LCD display can indicate the CO<sub>2</sub> concentration and the temperature, the CO<sub>2</sub> concentration only or the temperature only. The factory default is to display both the temperature and the CO<sub>2</sub> concentration.  
CT CO<sub>2</sub> concentration and temperature  
C CO<sub>2</sub> concentration only  
T Temperature only
- UNI** Units selection  
Temperature and barometric pressure measurements can be displayed in US engineering units or SI engineering units. The factory default is to display US engineering units.  
US units F for temperature and in Hg for barometric pressure  
SI units C for temperature and hPa for barometric pressure
- COL** CO<sub>2</sub> low output range  
Sets the CO<sub>2</sub> concentration for the lowest output (4 mA or 0 VDC).  
Low limit: 0 PPM  
Factory setting: 0 PPM  
High limit: 2000/5000 PPM (depending on model)
- COH** CO<sub>2</sub> high output range  
Sets the CO<sub>2</sub> concentration for the highest output (20 mA, 5 VDC or 10 VDC). When COH is set above COL, the transmitter is direct acting and the output will increase with an increase in CO<sub>2</sub> level. When COH is below COL, the transmitter is reverse acting and the output will increase with a decrease in CO<sub>2</sub> level.  
Low limit: 0 PPM  
Factory setting: 2000/5000 PPM (depending on model)  
High limit: 2000/5000 PPM (depending on model)
- TOL** Temperature low output range  
Sets the temperature for the lowest output (4 mA or 0 VDC).  
Low limit: 32.0°F / 0.0°C  
Factory setting: 32.0°F / 0.0°C  
High limit: 122.0°F / 50.0°C
- TOH** Temperature high output range  
Sets the temperature for the highest output (20 mA, 5 VDC or 10 VDC). When TOH is set above TOL, the transmitter is direct acting and the output will increase with an increase in temperature. When TOH is below TOL, the transmitter is reverse acting and the output will increase with a decrease in temperature.  
Low limit: 32.0°F / 0.0°C  
Factory setting: 122.0°F / 50.0°C  
High limit: 122.0°F / 50.0°C
- BAR** Barometric pressure  
Sets the typical barometric pressure for the location where the transmitter is mounted. The factory setting is for standard pressure at sea level. Adjusting the barometric pressure gives a more accurate measurement, especially at higher elevations.  
Low limit: 20.0 in Hg / 600 hPa  
Factory setting: 29.9 in Hg / 1013 hPa  
High limit: 32.0 in Hg / 1100 hPa

# ENERGY RECOVERY VENTILATOR MAINTENANCE

## GENERAL INFORMATION

The ability to clean exposed surfaces within air moving systems is an important design consideration for the maintenance of system performance and air quality. The need for periodic cleaning will be a function of operating schedule, climate, and contaminants in the indoor air being exhausted and in the outdoor air being supplied to the building. All components exposed to the airstream, including energy recovery wheels, may require cleaning in most applications.

Rotary counterflow heat exchangers (heat wheels) with laminar airflow are “self-cleaning” with respect to dry particles. Smaller particles pass through; larger particles land on the surface and are blown clear as the flow direction is reversed. For this reason, the primary need for cleaning is to remove films of oil-based aerosols that have condensed on energy transfer surfaces. Buildup of material over time may eventually reduce airflow. Most importantly, in the case of desiccant coated (enthalpy) wheels, such films can close off micron sized pores at the surface of the desiccant material, reducing the efficiency with which the desiccant can absorb and desorb moisture.

## FREQUENCY

In a reasonably clean indoor environment such as a school, office building, or home, experience shows that reductions of airflow or loss of sensible (temperature) effectiveness may not occur for ten or more years. However, experience also shows that measurable changes in latent energy (water vapor) transfer can occur in shorter periods of time in commercial, institutional and residential applications experiencing moderate occupant smoking or with cooking facilities. In applications experiencing unusually high levels of occupant smoking, such as smoking lounges, nightclubs, bars and restaurants, washing of energy transfer surfaces, as frequently as every six months, may be necessary to maintain latent transfer efficiency. Similar washing cycles may also be appropriate for industrial applications involving the ventilation of high levels of smoke or oil-based aerosols such as those found in welding or machining operations, for example. In these applications, latent efficiency losses of as much as 40% or more may develop over a period of one to three years.

## CLEANABILITY AND PERFORMANCE

In order to maintain energy recovery ventilation systems, energy transfer surfaces must be accessible for washing to remove oils, grease, tars and dirt that can impede performance or generate odors. Washing of the desiccant surfaces is required to remove contaminate buildups that can reduce adsorption of water molecules. The continued ability of an enthalpy wheel to transfer latent energy depends upon the permanence of the bond between the desiccant and the energy transfer surfaces.

Bard wheels feature silica gel desiccant permanently bonded to the heat exchange surface without adhesives; the desiccant will not be lost in the washing process. Proper cleaning of the Bard energy recovery wheel will restore latent effectiveness to near original performance.

## MAINTENANCE PROCEDURES

*NOTE: Local conditions can vary and affect the required time between routine maintenance procedures, therefore all sites (or specific units at a site) may not have the same schedule to maintain acceptable performance. The following timetables are recommended and can be altered based on local experience.*

## QUARTERLY MAINTENANCE

1. Inspect mist eliminator/prefilter and clean if necessary. This filter is located in the fresh air intake hood on the front of the unit. This is an aluminum mesh filter and can be cleaned with water and any detergent not harmful to aluminum.
  2. Inspect wall mount unit filter and clean or replace as necessary. This filter is located either in the unit, in a return air filter grille assembly, or both. If in the unit it can be accessed by removing the lower service door on the front of the unit. If in a return air filter grille, by hinging the grille open to gain access.
  3. Inspect energy recovery ventilator for proper wheel rotation and dirt buildup. This can be done in conjunction with Item 2 above. Energize the energy recovery ventilator after inspecting the filter and observe for proper rotation and/or dirt buildup.
  4. Recommended energy recovery wheel cleaning procedures follow Steps 5 through 8.
  5. Disconnect all power to unit. Remove the lower service door of the wall mount unit to gain access to the energy recovery ventilator.
  6. Remove the front access panel on the ventilator. Unplug amp connectors to cassette motors. Slide energy recovery cassette out of ventilator.
  7. Use a shop vacuum with brush attachment to clean both sides of the energy recovery wheels.
  8. Reverse shop vacuum to use as a blower and blow out any residual dry debris from the wheel.
- NOTE: Discoloration and staining of the wheel does not affect its performance. Only excessive buildup of foreign material needs to be removed.*
9. If any belt chirping or squealing noise is present, apply a small amount of LPS-1 or equivalent dry film lubricant to the belt.

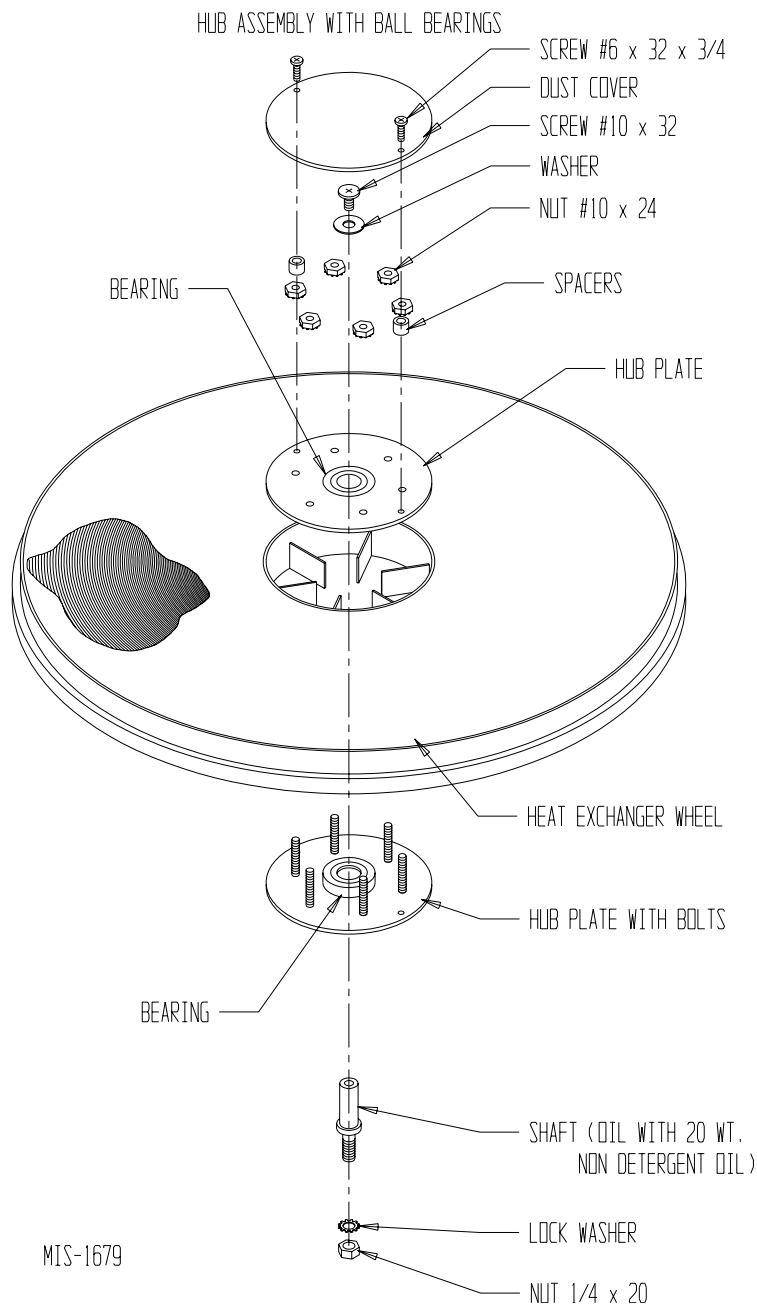
## ANNUAL MAINTENANCE

1. Inspect and conduct the same procedures as outlined under Quarterly Maintenance.
2. To maintain peak latent (moisture) removal capacity, it is recommended that the energy recovery wheels be sprayed with a diluted nonacid based evaporator coil cleaner or alkaline detergent solution such as 409.

*NOTE: Do not use acid based cleaners, aromatic solvents, temperatures in excess of 170° F or steam. Damage to the wheel may result. Do not disassemble and immerse the entire heat exchanger wheel in a soaking solution, as bearing and other damage may result.*

3. Rinse wheel thoroughly after application of the cleaning solution, and allow to drain before reinstalling.
4. No re-lubrication is required to heat wheel bearings of the drive motor, or to the intake and exhaust blower motors.
5. If any belt chirping or squealing noise is present, apply a small amount of LPS-1 or equivalent dry film lubricant to the belt.

**FIGURE 29**



# TROUBLESHOOTING

## SOLID STATE HEAT PUMP CONTROL TROUBLESHOOTING PROCEDURE

- NOTE:** A thorough understanding of the defrost cycle sequence is essential. Review that section earlier in this manual prior to troubleshooting the control. Turn on AC power supply to unit.
- Turn thermostat blower switch to "fan on" – the indoor blower should start. (If it doesn't, troubleshoot indoor unit and correct problem.)
- Turn thermostat blower to "auto" position. Indoor blower should stop.
- Set system switch to "heat" or "cool". Adjust thermostat to call for heat or cool. The indoor blower, compressor and outdoor fan should start.

*NOTE: If there was no power to 24 volt transformer, the compressor and outdoor fan motor will not start for 5 minutes. This is because of the compressor short cycle protection.*

| <u>CODES</u> | <u>FUNCTION</u>  |
|--------------|--|
| Slow Blink   | Normal Operation   |
| Fast Blink   | Compressor Time Delay  |
| 1 Blink      | Low Pressure Switch Failure  |
| 2 Blink      | High Pressure Switch Failure or Condensate Overflow Switch Activated |
| 3 Blink      | Defrost Mode Active  |
| 4 Blink      | High Pressure Soft Lockout   |

**TABLE 5  
TROUBLESHOOTING**

| Symptom   | Description, Check & Possible Causes   | What & How to Check / Repair  |
|---|--|---|
| Compressor will not start (heating or cooling)                            | <b>1. Check for LED illumination.</b><br>Is there an LED illuminated on the board (flashing)?  | Yes = go to Step #2; No = go to Step #3   |
|   | <b>2. Check for error codes.</b><br>Is the LED flashing a Code?                                | Yes = go to Step #4; No = go to Step #8   |
|   | <b>3. Check for power at board.</b><br>Is there 24 volts AC between R and C?                   | Yes = go to Step #13; No = go to Step #9  |
|   | <b>4. Check codes.</b><br>What code is blinking?   | Code "1", go to Step #6; Code "2", go to Steps #7A & #7B; Fast Blink, go to Step #5   |
|   | <b>5. Compressor delay active.</b><br>Wait for 5 minute delay or jump board's "speed up pins". | Check for proper operation; if still needed, go back to Step #1.  |
|   | <b>6. Low pressure fault.</b>  | Check wiring circuit and unit pressures.  |
|   | <b>7A. High pressure fault.</b>  | Check wiring circuit and unit pressures.  |
|   | <b>7B. Condensate overflow fault.</b>  | Check upper indoor coil drains; check lower outdoor coil drains; check main drain line.   |
|   | <b>8. Check for Compressor input signal.</b><br>Is there 24 volts AC between Y and C?          | Yes = go to Step #10; No = go to Step #11   |
|   | <b>9. No power to board.</b>   | The unit either does not have unit voltage, the transformer is bad or the unit wiring is incorrect.   |
|   | <b>10. Check for Compressor output signal.</b><br>Is there 24 volts AC between CC & C?         | Yes = go to Step #12; No = go to Step #13   |
|   | <b>11. No "Y" compressor input signal.</b>   | Check thermostat wiring, incorrect phase of unit (see section on Phase Monitor), and finally unit wiring.   |
|   | <b>12. No "CC" compressor output signal.</b>   | Check compressor contactor for proper operation and finally check compressor.   |
| <b>13. Faulty board.</b>  | Replace defrost board.   |   |
| Fan outdoor motor does not run (cooling or heating except during defrost) | Heat pump control defective  | Check across fan relay on heat pump control. (Com-NC)<br>Replace heat pump control.   |
|   | Motor defective  | Check for open or shorted motor winding. Replace motor.   |
|   | Motor capacitor defective  | Check capacitor rating. Check for open or shorted capacitor. Replace capacitor.   |
| Reversing valve does not energize (heating only)                          | Heat pump control defective  | Check for 24V between RV-C and B-C.<br>1. Check control circuit wiring.<br>2. Replace heat pump control   |
|   | Reversing valve solenoid coil defective  | Check for open or shorted coil.<br>Replace solenoid coil.   |
| Unit will not go into defrost (heating only)                              | Temperature sensor or heat pump control defective  | Disconnect temperature sensor from board and jumper across "SPEEDUP" terminals and "SEN JMP" terminals. This should cause the unit to go through a defrost cycle within one minute.<br>1. If unit goes through defrost cycle, replace temperature sensor.<br>2. If unit does not go through defrost cycle, replace heat pump control. |
| Unit will not come out of defrost (heating only)                          | Temperature sensor or heat pump control defective.   | Jumper across "SPEEDUP" terminal.<br>This should cause the unit to come out of defrost within one minute.<br>1. If unit comes out of defrost cycle, replace temperature sensor.<br>2. If unit does not come out of defrost cycle, replace heat pump control.  |

## CHECKING TEMPERATURE SENSOR

1. Disconnect temperature sensor from board and from right-hand outdoor coil.
2. Use an ohmmeter and measure the resistance of the sensor. Also use ohmmeter to check for short or open.
3. Check resistance reading to chart of resistance use sensor ambient temperature. (Tolerance of part is  $\pm 10\%$ .)
4. If sensor resistance reads very low, then sensor is shorted and will not allow proper operation of the heat pump control.
5. If sensor is out of tolerance, shorted, open, or reads very low ohms then it should be replaced.

**TABLE 6**  
**TEMPERATURE (F) VS RESISTANCE (R) OF TEMPERATURE SENSOR**

| F     | R      | F    | R     | F    | R     | F    | R     | F     | R    |
|-------|--------|------|-------|------|-------|------|-------|-------|------|
| -25.0 | 196871 | 5.0  | 72910 | 35.0 | 29986 | 65.0 | 13474 | 95.0  | 6531 |
| -24.0 | 190099 | 6.0  | 70670 | 36.0 | 29157 | 66.0 | 13137 | 96.0  | 6383 |
| -23.0 | 183585 | 7.0  | 68507 | 37.0 | 28355 | 67.0 | 12810 | 97.0  | 6239 |
| -22.0 | 177318 | 8.0  | 66418 | 38.0 | 27577 | 68.0 | 12492 | 98.0  | 6098 |
| -21.0 | 171289 | 9.0  | 64399 | 39.0 | 26823 | 69.0 | 12183 | 99.0  | 5961 |
| -20.0 | 165487 | 10.0 | 62449 | 40.0 | 26082 | 70.0 | 11883 | 100.0 | 2827 |
| -19.0 | 159904 | 11.0 | 60565 | 41.0 | 25383 | 71.0 | 11591 | 101.0 | 4697 |
| -18.0 | 154529 | 12.0 | 58745 | 42.0 | 24696 | 72.0 | 11307 | 102.0 | 5570 |
| -17.0 | 149355 | 13.0 | 56985 | 43.0 | 24030 | 73.0 | 11031 | 103.0 | 5446 |
| -16.0 | 144374 | 14.0 | 55284 | 44.0 | 23384 | 74.0 | 10762 | 104.0 | 5326 |
| -15.0 | 139576 | 15.0 | 53640 | 45.0 | 22758 | 75.0 | 10501 | 105.0 | 5208 |
| -14.0 | 134956 | 16.0 | 52051 | 46.0 | 22150 | 76.0 | 10247 | 106.0 | 5094 |
| -13.0 | 130506 | 17.0 | 50514 | 47.0 | 21561 | 77.0 | 10000 | 107.0 | 4982 |
| -12.0 | 126219 | 18.0 | 49028 | 48.0 | 20989 | 78.0 | 9760  | 108.0 | 4873 |
| -11.0 | 122089 | 19.0 | 47590 | 49.0 | 20435 | 79.0 | 9526  | 109.0 | 4767 |
| -10.0 | 118108 | 20.0 | 46200 | 50.0 | 19896 | 80.0 | 9299  | 110.0 | 7663 |
| -9.0  | 114272 | 21.0 | 44855 | 51.0 | 19374 | 81.0 | 9077  | 111.0 | 4562 |
| -8.0  | 110575 | 22.0 | 43554 | 52.0 | 18867 | 82.0 | 8862  | 112.0 | 4464 |
| -7.0  | 107010 | 23.0 | 42295 | 53.0 | 18375 | 83.0 | 8653  | 113.0 | 4367 |
| -6.0  | 103574 | 24.0 | 41077 | 54.0 | 17989 | 84.0 | 8449  | 114.0 | 7274 |
| -5.0  | 100260 | 25.0 | 39898 | 55.0 | 17434 | 85.0 | 8250  | 115.0 | 4182 |
| -4.0  | 97064  | 26.0 | 38757 | 56.0 | 16984 | 86.0 | 8057  | 116.0 | 4093 |
| -3.0  | 93981  | 27.0 | 37652 | 57.0 | 16547 | 87.0 | 7869  | 117.0 | 4006 |
| -2.0  | 91008  | 28.0 | 36583 | 58.0 | 16122 | 88.0 | 7686  | 118.0 | 3921 |
| -1.0  | 88139  | 29.0 | 35548 | 59.0 | 15710 | 89.0 | 7507  | 119.0 | 3838 |
| 0.0   | 85371  | 30.0 | 34545 | 60.0 | 15310 | 90.0 | 7334  | 120.0 | 3757 |
| 1.0   | 82699  | 31.0 | 33574 | 61.0 | 14921 | 91.0 | 7165  | 121.0 | 3678 |
| 2.0   | 80121  | 32.0 | 32634 | 62.0 | 14544 | 92.0 | 7000  | 122.0 | 3601 |
| 3.0   | 77632  | 33.0 | 31723 | 63.0 | 14177 | 93.0 | 6840  | 123.0 | 3526 |
| 4.0   | 75230  | 34.0 | 30840 | 64.0 | 13820 | 94.0 | 6683  | 124.0 | 3452 |

# TROUBLESHOOTING ECM™ 142R OUTDOOR FAN MOTOR

**WARNING**

- EXPOSED MOVING PARTS.
- DISCONNECT ALL ELECTRICAL POWER BEFORE SERVICING.
- FAILURE TO DO SO CAN RESULT IN SEVERE INJURY OR AMPUTATION.

**WARNING**

- HAZARD OF ELECTRICAL SHOCK.
- ELECTRICAL SHOCK CAN RESULT IN SERIOUS INJURY OR DEATH.
- DISCONNECT THE REMOTE ELECTRIC POWER SUPPLY OR SUPPLIES BEFORE SERVICING.

7961-755-1

## **CAUTION**

*Do not operate motor without fan blade attached. Such operations will cause the motor to oscillate up and down.*

## **CAUTION**

*You must obtain the correct replacement motor from the manufacturer that is a direct replacement for the failed motor.*

**USING THE WRONG MOTOR VOIDS ALL WARRANTIES AND MAY PRODUCE UNEXPECTED RESULTS.**

1. In normal operation, this motor may rock back and forth on start up. Do not replace if this is the only symptom identified.
2. If the system is operating properly, but the motor appears to run slower than it should, the motor is good. High efficiency systems with optimized fan blades are engineered to run slow to decrease noise. The Bard I-TEC Series models also adjust fan speed based upon varied outdoor ambient conditions to optimize sound and unit efficiency.
3. If the system is noisy, freezing up, running a high head pressure, tripping the high pressure switch or compressor overload, check the following:
  - a. Ensure cleanliness of condenser coil(s) and fan blade/shroud.
  - b. Confirm the fan blade is not bent or deformed, isn't rubbing on the shroud, and that it is tight on the motor shaft. Also ensure the motor is secure in its mounting system, and the mounting system is secure to the unit.
  - c. The Bard I-TEC is equipped with a low ambient control pressure switch. This pressure switch completes the 24VAC Common feed to the outdoor fan motor control in cooling mode. If this switch is defective, or if the outdoor air temperature is too cold to raise the head pressure to the 325# switch closing set-point, or the system charge is too low, this could be the cause of the issue. (In heat pump {heating} mode, the low ambient fan cycling control is bypassed.)
  - d. If motor is not running, go to next section.
4. If the motor does not appear to be running at the proper speed or does not shut off, refer to the next section for voltage checks to determine if the motor is getting the proper input signals.

If the motor IS NOT receiving any communication, troubleshoot the communication issue using the diagnostic table for the Fan Logic Control.

  - a. This motor uses a 7 wire harness to control the motor.



# TROUBLESHOOTING ECM™ 142R OUTDOOR FAN MOTOR

- Line power is connected as follows:
  - “Red Wire” connects to “L1”
  - “Black Wire” connects to “L2”
  - “Green/Yellow Wire” connects to “Ground”
- Control power is connected as follows:
  - “Blue Wire” connects to Fan Relay of the Defrost Logic Control, and subsequently connects to 24VAC Common through the Fan Logic Control Board. “Yellow Wire” connects to “Y” on the Fan Logic Control Board. “White Wire” connects to “W” on the Fan Logic Control Board. “Orange Wire” connects to “O” on the Fan Logic Control Board.

**NOTE:** A combination of the "Yellow", "White" and "Orange" wires being energized (with 24V "R" signal) determines five (5) different speeds the fan motor will operate at. The Fan Logic Control Board uses an outdoor thermistor sensor to determine the speed the fan should operate. It also utilizes the "B" reversing valve input for heat pump mode to determine speed should operate.

**TABLE 7  
TROUBLESHOOTING ECM™ 142R OUTDOOR FAN MOTOR**

|  |   |
|--|---|
| Check Line Power to Motor  | Check between Red and Black Wires for Line Power  |
|  | Verify Ground by checking Green Wire to L1 and L2 Line Power  |
| Check for 24VAC common signal to motor (against Transformer "R" Signal)  | Check "BR" terminal of Fan Logic Control Board  |
|  | Check "Blue" Fan Lead on "Fan Relay Terminal" of "Defrost Logic Control"  |
|  | ** Is not energized in cooling mode until Low Ambient Fan Cycling Control is closed by 325 PSIG refrigerant pressure. |
|  | ** Circuit is completed automatically when "B" is energized on the Fan Logic Control Board                            |
| Check 24VAC "hot" outputs (to "Blue" on Fan Logic Control) to motor. See the following tables based upon outdoor temperature and model of operation. |   |

**TABLE 8  
COOLING MODE**

| O.D. Temp Sensor    | 24VAC Signals Between    |
|---------------------|--------------------------|
| Below 55°F          | Orange to Blue           |
| Between 56° - 69°F  | White to Blue            |
| Between 70° - 85°F  | Yellow to Blue           |
| Between 86° - 112°F | Orange and White to Blue |
| Above 112°F         | White and Yellow to Blue |

**TABLE 9  
HEAT PUMP MODE**

| O.D. Temp Sensor   | 24VAC Signals Between    |
|--------------------|--------------------------|
| Above 56°F         | Orange to Blue           |
| Between 55° - 30°F | White to Blue            |
| Between 29° - 14°F | Yellow to Blue           |
| Below 13°F         | Orange and White to Blue |

If the output signals are not matching the specified temperature range, then go to Table #6 and verify the thermistor output curve. If the motor is receiving proper communications and proper high voltage power, and is still not running, proceed with Motor Replacement. (When checking the resistance/temperature curve, don't forget about the optional 2.2k ohm fan control resistor assembly.)

## REPLACING THE MOTOR

This motor is replaced in one piece. The control cannot be replaced separately from the motor. Even if the control is remotely located, the replacement part will be a new control with harness and new motor.

You must have the correct replacement motor from the manufacturer that is a direct replacement for the failed motor.

## USING THE WRONG MOTOR VOIDS ALL PRODUCT WARRANTIES AND MAY PRODUCE UNEXPECTED RESULTS.

Always mount the replacement motor and control according to the manufacturers specifications using all required hardware to reduce vibration. Make sure all wires are free of the fan blade and not pinched in mountings or cabinet through points.



# TROUBLESHOOTING INDOOR ECM™ BLOWER MOTORS

## CAUTION:

Disconnect power from unit before removing or replacing connectors, or servicing motor. To avoid electric shock from the motor's capacitors, disconnect power and wait at least 5 minutes before opening motor.

### Symptom

**Motor rocks slightly when starting**

**Motor won't start**  
• No movement

• Motor rocks, but won't start

**Motor oscillates up load & down while being tested off of blower**

**Motor starts, but runs erratically**

• Varies up and down or intermittent

• "Hunts" or "puffs" at high CFM (speed)

• Stays at low CFM despite system call for cool or heat CFM

• Stays at high CFM

• Blower won't shut off

**Excessive noise**

• Air noise

### Cause/Procedure

• This is normal start-up for ECM

• Check blower turns by hand  
• Check power at motor  
• Check low voltage (24 Vac R to C) at motor  
• Check low voltage connections (G, Y, W, R, C) at motor  
• Check for unseated pins in connectors on motor harness  
• Test with a temporary jumper between R - G  
• Check motor for tight shaft  
• Perform motor/control replacement check  
• **Perform Moisture Check**

• Check for loose or compliant motor mount  
• Make sure blower wheel is tight on shaft  
• Perform motor/control replacement check

• It is normal for motor to oscillate with no on shaft

• Check line voltage for variation or "sag"  
• Check low voltage connections (G, Y, W, R, C) at motor, unseated pins in motor harness connectors  
• Check "Bk" for erratic CFM command (in variable-speed applications)  
• Check out system controls, Thermostat  
• **Perform Moisture Check**

• Does removing panel or filter reduce "puffing"?  
- Reduce restriction  
- Reduce max airflow

• Check low voltage (Thermostat) wires and connections  
• Verify fan is not in delay mode; wait until delay complete  
• "R" missing/not connected at motor  
• Perform motor/control replacement check

• "R" missing/not connected at motor  
• Is fan in delay mode? - wait until delay time complete  
• Perform motor/control replacement check

• Current leakage from controls into G, Y or W? Check for Triac switched thermostat or solid-state relay

• Determine if it's air noise, cabinet, duct or motor noise; interview customer, if necessary  
• High static creating high blower speed?  
- Is airflow set properly?  
- Does removing filter cause blower to slow down? Check filter  
- Use low-pressure drop filter  
- Check/correct duct restrictions

### Symptom

• Noisy blower or cabinet

• "Hunts" or "puffs" at high CFM (speed)

### Evidence of Moisture

• Motor failure or malfunction has occurred and moisture is present

• Evidence of moisture present inside air mover

### Do

• Check out motor, controls, wiring and connections thoroughly before replacing motor

• Orient connectors down so water can't get in  
- Install "drip loops"

• Use authorized motor and model #'s for replacement

• Keep static pressure to a minimum:  
- Recommend high efficiency, low static filters  
- Recommend keeping filters clean.  
- Design ductwork for min. static, max. comfort  
- Look for and recommend ductwork improvement, where necessary

• Size the equipment wisely

• Check orientation before inserting motor connectors

### Cause/Procedure

• Check for loose blower housing, panels, etc.  
• High static creating high blower speed?  
- Check for air whistling through seams in ducts, cabinets or panels  
- Check for cabinet/duct deformation

• Does removing panel or filter reduce "puffing"?  
- Reduce restriction  
- Reduce max. airflow

• Replace motor and **Perform Moisture Check**

• **Perform Moisture Check**

### Don't

• Automatically assume the motor is bad.

• Locate connectors above 7 and 4 o'clock positions

• Replace one motor or control model # with another (unless an authorized replacement)  
• Use high pressure drop filters some have ½" H2O drop!  
• Use restricted returns

• Oversize system, then compensate with low airflow

• Plug in power connector backwards  
• Force plugs

### Moisture Check

• Connectors are oriented "down" (or as recommended by equipment manufacturer)

• Arrange harness with "drip loop" under motor

• Is condensate drain plugged?

• Check for low airflow (too much latent capacity)

• Check for undercharged condition

• Check and plug leaks in return ducts, cabinet

### Comfort Check

• Check proper airflow settings

• Low static pressure for lowest noise

• Set low continuous-fan CFM

• Use humidistat and 2-speed cooling units

• Use zoning controls designed for ECM that regulate CFM

• Thermostat in bad location?

# TROUBLESHOOTING INDOOR ECM™ BLOWER MOTORS (Cont'd.)

## Replacing ECM Control Module

To replace the control module for the GE variable-speed indoor blower motor you need to take the following steps:

1. You **MUST** have the correct replacement module. The controls are factory programmed for specific operating modes. Even though they look alike, different modules may have completely different functionality.

**USING THE WRONG CONTROL MODULE VOIDS ALL PRODUCT WARRANTIES AND MAY PRODUCE UNEXPECTED RESULTS.**

2. Begin by removing AC power from the unit being serviced. **DO NOT WORK ON THE MOTOR WITH AC POWER APPLIED.** To avoid electric shock from the motor's capacitors, disconnect power and wait at least 5 minutes before opening motor.

3. It is not necessary to remove the motor from the blower assembly, nor the blower assembly from the unit. Unplug the two cable connectors to the motor control assembly. There are latches on each connector. **DO NOT PULL ON THE WIRES.** The plugs remove easily when properly released.

4. Locate the screws that retain to the motor control bracket to the sheet metal of the unit and remove them. Remove two (2) nuts that retain the control to the bracket and then remove two (2) nuts that retain sheet metal motor control end plate. Refer to Figure 30.

5. Disconnect the three (3) wires interior of the motor control by using your thumb and forefinger squeezing the latch tab and the opposite side of the connector plug, gently pulling the connector. **DO NOT PULL ON THE WIRES, GRIP THE PLUG ONLY.** Refer to Figure 30.

6. The control module is now completely detached from the motor. Verify with a standard ohmmeter that the resistance from each motor lead (in the motor plug just removed) to the motor shell is  $>100K$  ohms. Refer to Figure 31. (Measure to unpainted motor end plate.) If any motor lead fails this test, do not proceed to install the control module. **THE MOTOR IS DEFECTIVE AND MUST BE REPLACED.** Installing the new control module will cause it to fail also.

7. Verify that the replacement control is correct for your application. Refer to the manufacturer's authorized replacement list. **USING THE WRONG CONTROL WILL RESULT IN IMPROPER OR NO BLOWER OPERATION.** Orient the control module so that the 3-wire motor plug can be inserted into the socket in the control. Carefully insert the plug and press it into the socket until it latches. **A SLIGHT CLICK WILL BE HEARD WHEN PROPERLY INSERTED.**

8. Reverse the steps #5, 4, 3 to reconnect the motor control to the motor wires, securing the motor control cover plate, mounting the control to the bracket, and mounting the motor control bracket back into the unit. **MAKE SURE THE ORIENTATION YOU SELECT FOR REPLACING THE CONTROL ASSURES THE CONTROL'S CABLE CONNECTORS WILL BE LOCATED DOWNWARD IN THE APPLICATION SO THAT WATER CANNOT RUN DOWN THE CABLES AND INTO THE CONTROL. DO NOT OVERTIGHTEN THE BOLTS.**

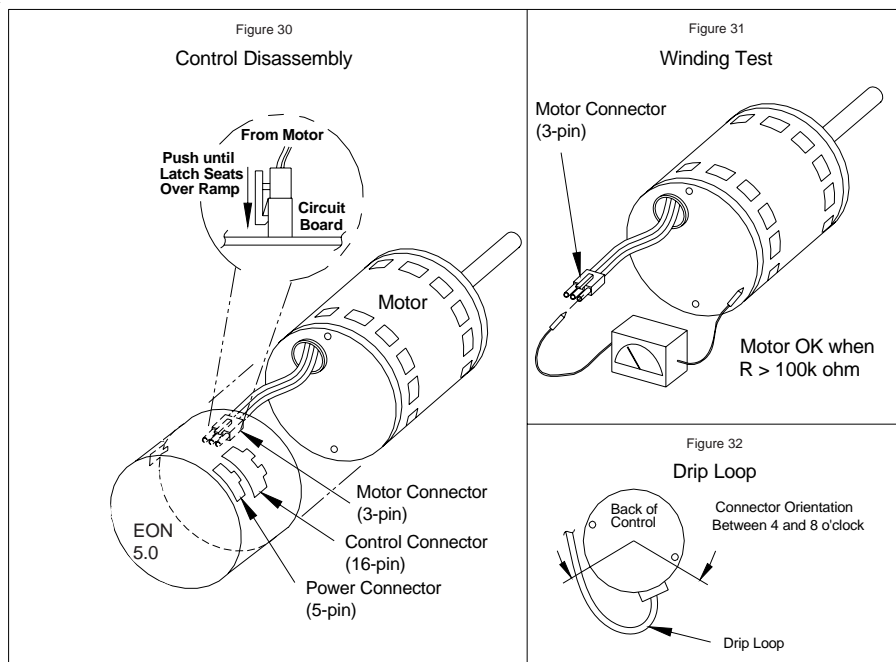
9. Plug the 16-pin control plug into the motor. The plug is keyed. Make sure the connector is properly seated and latched.

10. Plug the 5-pin power connector into the motor. Even though the plug is keyed, **OBSERVE THE PROPER ORIENTATION. DO NOT FORCE THE CONNECTOR.** It plugs in very easily when properly oriented. **REVERSING THIS PLUG WILL CAUSE IMMEDIATE FAILURE OF THE CONTROL MODULE.**

11. Final installation check. Make sure the motor is installed as follows:

- Motor connectors should be oriented between the 4 o'clock and 8 o'clock positions when the control is positioned in its final location and orientation.
- Add a drip loop to the cables so that water cannot enter the motor by draining down the cables. Refer to Figure 32.

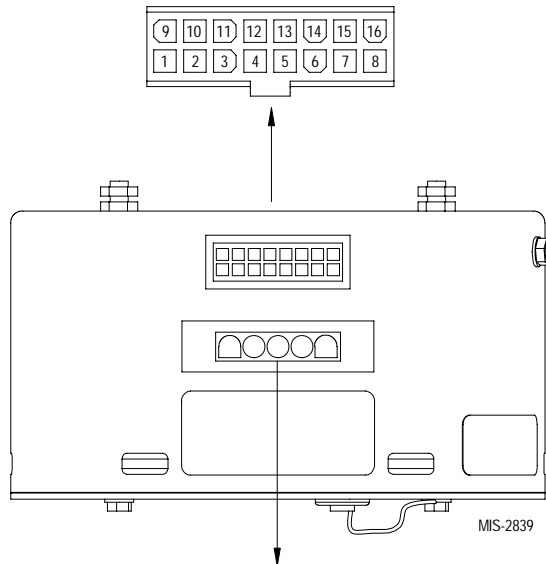
The installation is now complete. Reapply the AC power to the HVAC equipment and verify that the new motor control module is working properly. Follow the manufacturer's procedures for disposition of the old control module.



# TROUBLESHOOTING ECM™ BLOWER MOTORS (Cont'd.)

| MODE of OPERATION               | OFF  | Continuous Blower (Ventilation Mode) | Part Load Cooling | Full Load Cooling | Dehum. Mode (when equipped) | Part Load Heat Pump | Full Load Heat Pump  | Heat Pump Full Load with 1st Bank of Electric Heat | Heat Pump Full Load with 1st & 2nd Bank of Electric Heat | Emergency Heat Mode |
|---------------------------------|--|--------------------------------------|-------------------|-------------------|-----------------------------|---------------------|----------------------|--|--|---------------------|
| Thermostat 24 VAC Input Signals | —  | "G"                                  | "G", "Y1", "Y2"   | "G", "Y1", "Y2"   | "D"                         | "G", "B", "Y1"      | "G", "B", "Y1", "Y2" | "G", "Y1", "Y2", "B", "W1"                         | "G", "Y1", "Y2", "B", "W2", "W3"                         | "G", "W2", "W3"     |
| Pin #1                          | 24 VAC "C" (Common) Signal, Always Energized |                                      |                   |                   |                             |                     |                      |  |  |                     |
| Pin #2                          |  |                                      |                   |                   |                             |                     |                      | X  |  |                     |
| Pin #3                          | 24 VAC "C" (Common) Signal, Always Energized |                                      |                   |                   |                             |                     |                      |  |  |                     |
| Pin #4                          | Not Used                                     |                                      |                   |                   |                             |                     |                      |  |  |                     |
| Pin #5                          | Not Used                                     |                                      |                   |                   |                             |                     |                      |  |  |                     |
| Pin #6                          |  |                                      | X                 | X                 | X                           | X                   | X                    | X  | X  |                     |
| Pin #7                          | Not Used                                     |                                      |                   |                   |                             |                     |                      |  |  |                     |
| Pin #8                          | Not Used                                     |                                      |                   |                   |                             |                     |                      |  |  |                     |
| Pin #9                          |  |                                      |                   |                   |                             | X                   | X                    | X  |  |                     |
| Pin #10                         | Not Used                                     |                                      |                   |                   |                             |                     |                      |  |  |                     |
| Pin #11                         | Not Used                                     |                                      |                   |                   |                             |                     |                      |  |  |                     |
| Pin #12                         | 24 VAC Hot "R" Signal, Always Energized      |                                      |                   |                   |                             |                     |                      |  |  |                     |
| Pin #13                         |  |                                      |                   |                   |                             |                     |                      |  | X  | X                   |
| Pin #14                         |  |                                      |                   | X                 | X                           | X                   |                      | X  | X  |                     |
| Pin #15                         |  | X                                    | X                 | X                 | X                           | X                   | X                    | X  | X  | X                   |
| Pin #16                         | Not Used                                     |                                      |                   |                   |                             |                     |                      |  |  |                     |

**FIGURE 33  
CONTROL CONNECTOR MOTOR HALF**



**POWER CONNECTOR MOTOR HALF**

| POWER CONNECTOR * |  |
|-------------------|--|
| PWB HEADER        | AMP 1-350945-0   |
| PIN               | Description  |
| 1                 | Jumper Pin 1 to Pin 2 for 120VAC Line Input <i>Only</i> ** |
| 2                 |  |
| 3                 | Chassis Ground   |
| 4                 | AC Line  |
| 5                 | AC Line  |

\* Suggested mating connector  
Housing — AMP 350809-1  
Contact — AMP 350537-1

\*\* **WARNING** — Applying 240VAC line input with PIN 1 to PIN 2 jumper in place **will permanently damage unit!**

## REFRIGERANT CHARGE

This unit was charged at the factory with the quantity of refrigerant listed on the serial plate. AHRI capacity and efficiency ratings were determined by testing with this refrigerant charge quantity. The following pressure tables show nominal pressures and temperatures for the units. Since many installation specific situations can affect the pressure readings, this information should only be used by certified technicians as a guide for evaluating proper system performance. They shall not be used to adjust charge. If charge is in doubt, reclaim, evacuate and recharge the unit to the serial plate charge.

## FAN BLADE SETTING DIMENSIONS

The position of the fan blade should be flush with the leaving face of the orifice plate. Check to make sure the blades do not extend beyond the rear casing of the unit. Spin the blade by hand to make sure it does not hit the ring.

**TABLE 10A  
FULL LOAD COOLING PRESSURE/TEMPERATURE**

| MODEL | RETURN AIR TEMP. | PRESSURE              | AIR TEMPERATURE ENTERING OUTDOOR COIL °F |            |            |            |            |            |            |            |            |            |            |            |            |            |            |
|-------|------------------|-----------------------|--|------------|------------|------------|------------|------------|------------|------------|------------|------------|------------|------------|------------|------------|------------|
|       |                  |                       | 55                                       | 60         | 65         | 70         | 75         | 80         | 85         | 90         | 95         | 100        | 105        | 110        | 115        | 120        | 125        |
| I30H1 | 75 DB<br>62 WB   | Low Side<br>High Side | 117<br>202                               | 118<br>224 | 120<br>246 | 121<br>267 | 123<br>289 | 124<br>310 | 126<br>332 | 128<br>354 | 129<br>375 | 130<br>399 | 132<br>423 | 133<br>448 | 135<br>472 | 136<br>496 | 137<br>520 |
|       | 80 DB<br>67 WB   | Low Side<br>High Side | 130<br>201                               | 131<br>225 | 133<br>248 | 134<br>271 | 136<br>294 | 139<br>315 | 140<br>345 | 141<br>362 | 142<br>386 | 144<br>411 | 145<br>436 | 147<br>461 | 148<br>486 | 150<br>510 | 151<br>535 |
|       | 85 DB<br>72 WB   | Low Side<br>High Side | 145<br>210                               | 146<br>233 | 148<br>256 | 149<br>278 | 151<br>301 | 152<br>323 | 154<br>346 | 156<br>369 | 157<br>391 | 159<br>416 | 160<br>442 | 162<br>467 | 164<br>492 | 165<br>517 | 167<br>542 |
| I36H1 | 75 DB<br>62 WB   | Low Side<br>High Side | 126<br>209                               | 127<br>231 | 129<br>252 | 130<br>274 | 131<br>295 | 132<br>317 | 134<br>338 | 135<br>360 | 136<br>381 | 137<br>405 | 138<br>429 | 139<br>452 | 141<br>476 | 142<br>500 | 143<br>524 |
|       | 80 DB<br>67 WB   | Low Side<br>High Side | 139<br>208                               | 140<br>231 | 142<br>254 | 143<br>277 | 144<br>300 | 146<br>327 | 147<br>358 | 148<br>370 | 149<br>392 | 150<br>417 | 152<br>441 | 153<br>466 | 154<br>490 | 155<br>515 | 157<br>539 |
|       | 85 DB<br>72 WB   | Low Side<br>High Side | 154<br>217                               | 155<br>240 | 157<br>262 | 158<br>285 | 159<br>307 | 160<br>330 | 162<br>352 | 163<br>375 | 164<br>397 | 165<br>422 | 167<br>447 | 168<br>471 | 170<br>496 | 171<br>521 | 172<br>540 |
| I42H1 | 75 DB<br>62 WB   | Low Side<br>High Side | 122<br>218                               | 123<br>238 | 125<br>258 | 127<br>279 | 128<br>299 | 130<br>319 | 131<br>339 | 133<br>360 | 134<br>380 | 135<br>404 | 136<br>428 | 137<br>452 | 138<br>476 | 139<br>500 | 140<br>524 |
|       | 80 DB<br>67 WB   | Low Side<br>High Side | 134<br>217                               | 136<br>239 | 138<br>260 | 139<br>282 | 141<br>304 | 142<br>326 | 144<br>355 | 146<br>369 | 147<br>391 | 148<br>416 | 149<br>440 | 150<br>465 | 151<br>490 | 152<br>514 | 153<br>539 |
|       | 85 DB<br>72 WB   | Low Side<br>High Side | 139<br>226                               | 140<br>247 | 142<br>269 | 143<br>290 | 144<br>311 | 145<br>332 | 147<br>353 | 148<br>375 | 149<br>396 | 150<br>421 | 151<br>446 | 152<br>471 | 153<br>496 | 154<br>521 | 155<br>546 |
| I48H1 | 75 DB<br>62 WB   | Low Side<br>High Side | 125<br>203                               | 126<br>225 | 127<br>248 | 128<br>271 | 129<br>293 | 129<br>316 | 130<br>339 | 131<br>361 | 132<br>384 | 134<br>411 | 135<br>437 | 136<br>464 | 138<br>491 | 139<br>517 | 140<br>544 |
|       | 80 DB<br>67 WB   | Low Side<br>High Side | 136<br>208                               | 138<br>231 | 139<br>254 | 140<br>276 | 141<br>299 | 143<br>321 | 144<br>351 | 145<br>367 | 147<br>390 | 148<br>417 | 150<br>444 | 151<br>471 | 153<br>498 | 154<br>526 | 156<br>553 |
|       | 85 DB<br>72 WB   | Low Side<br>High Side | 148<br>215                               | 149<br>238 | 151<br>261 | 153<br>284 | 154<br>307 | 156<br>331 | 158<br>354 | 159<br>377 | 161<br>400 | 162<br>428 | 164<br>456 | 166<br>484 | 167<br>512 | 169<br>539 | 171<br>567 |
| I60H1 | 75 DB<br>62 WB   | Low Side<br>High Side | 123<br>218                               | 124<br>241 | 124<br>265 | 125<br>289 | 126<br>312 | 127<br>336 | 128<br>360 | 129<br>383 | 129<br>407 | 131<br>434 | 132<br>462 | 133<br>489 | 134<br>516 | 135<br>544 | 136<br>571 |
|       | 80 DB<br>67 WB   | Low Side<br>High Side | 134<br>224                               | 135<br>248 | 137<br>271 | 138<br>295 | 139<br>319 | 140<br>341 | 141<br>373 | 142<br>389 | 143<br>413 | 145<br>441 | 146<br>469 | 147<br>497 | 148<br>524 | 150<br>552 | 151<br>580 |
|       | 85 DB<br>72 WB   | Low Side<br>High Side | 146<br>231                               | 147<br>255 | 148<br>279 | 150<br>303 | 151<br>327 | 153<br>352 | 154<br>376 | 156<br>400 | 157<br>424 | 159<br>453 | 160<br>481 | 161<br>510 | 163<br>538 | 164<br>567 | 166<br>595 |

**TABLE 10B  
FULL LOAD HEATING PRESSURE/TEMPERATURE**

| MODEL | RETURN AIR TEMP. | PRESSURE  | AIR TEMPERATURE ENTERING OUTDOOR COIL °F |     |     |     |     |     |     |     |     |     |     |     |     |     |     |
|-------|------------------|-----------|--|-----|-----|-----|-----|-----|-----|-----|-----|-----|-----|-----|-----|-----|-----|
|       |                  |           | 0  | 5   | 10  | 15  | 20  | 25  | 30  | 35  | 40  | 45  | 50  | 55  | 60  | 65  | 70  |
| I30H1 | 70° DB           | Low Side  | 33                                       | 40  | 48  | 55  | 63  | 70  | 78  | 85  | 91  | 98  | 107 | 116 | 125 | 134 | 143 |
|       |                  | High Side | 247                                      | 257 | 267 | 277 | 287 | 296 | 306 | 316 | 317 | 319 | 345 | 371 | 398 | 424 | 451 |
| I36H1 | 70° DB           | Low Side  | 30                                       | 38  | 45  | 52  | 59  | 67  | 74  | 81  | 89  | 97  | 105 | 112 | 120 | 127 | 135 |
|       |                  | High Side | 244                                      | 252 | 259 | 267 | 275 | 283 | 290 | 298 | 305 | 311 | 320 | 328 | 337 | 345 | 354 |
| I42H1 | 70° DB           | Low Side  | 34                                       | 40  | 47  | 54  | 60  | 67  | 74  | 81  | 88  | 95  | 102 | 109 | 116 | 123 | 130 |
|       |                  | High Side | 255                                      | 263 | 271 | 278 | 286 | 294 | 301 | 309 | 314 | 319 | 325 | 331 | 337 | 343 | 349 |
| I48H1 | 70° DB           | Low Side  | 33                                       | 40  | 47  | 54  | 60  | 67  | 74  | 81  | 89  | 97  | 106 | 114 | 122 | 130 | 138 |
|       |                  | High Side | 268                                      | 276 | 285 | 293 | 301 | 309 | 318 | 326 | 334 | 342 | 349 | 356 | 363 | 370 | 377 |
| I60H1 | 70° DB           | Low Side  | 38                                       | 42  | 46  | 50  | 54  | 58  | 63  | 67  | 80  | 94  | 102 | 110 | 118 | 127 | 135 |
|       |                  | High Side | 290                                      | 294 | 297 | 300 | 303 | 306 | 310 | 313 | 335 | 357 | 366 | 375 | 384 | 393 | 402 |

**TABLE 11A  
PART LOAD COOLING PRESSURE/TEMPERATURE**

| MODEL | RETURN AIR TEMP. | PRESSURE  | AIR TEMPERATURE ENTERING OUTDOOR COIL °F |     |     |     |     |     |     |     |     |     |     |     |     |     |     |
|-------|------------------|-----------|--|-----|-----|-----|-----|-----|-----|-----|-----|-----|-----|-----|-----|-----|-----|
|       |                  |           | 55                                       | 60  | 65  | 70  | 75  | 80  | 85  | 90  | 95  | 100 | 105 | 110 | 115 | 120 | 125 |
| I30H1 | 75 DB            | Low Side  | 127                                      | 128 | 129 | 129 | 130 | 131 | 132 | 133 | 134 | 135 | 137 | 138 | 140 | 141 | 143 |
|       | 62 WB            | High Side | 184                                      | 206 | 227 | 249 | 270 | 292 | 313 | 334 | 356 | 380 | 403 | 427 | 451 | 475 | 498 |
|       | 80 DB            | Low Side  | 141                                      | 141 | 142 | 143 | 143 | 144 | 144 | 145 | 146 | 147 | 149 | 151 | 152 | 154 | 156 |
|       | 67 WB            | High Side | 187                                      | 209 | 231 | 252 | 274 | 293 | 322 | 338 | 361 | 385 | 409 | 433 | 457 | 481 | 505 |
|       | 85 DB            | Low Side  | 154                                      | 154 | 155 | 156 | 156 | 157 | 157 | 158 | 159 | 161 | 162 | 164 | 166 | 168 | 170 |
|       | 72 WB            | High Side | 194                                      | 216 | 237 | 259 | 280 | 302 | 323 | 344 | 366 | 390 | 415 | 439 | 464 | 488 | 512 |
| I36H1 | 75 DB            | Low Side  | 131                                      | 133 | 134 | 136 | 137 | 139 | 140 | 142 | 143 | 144 | 145 | 146 | 148 | 149 | 150 |
|       | 62 WB            | High Side | 188                                      | 209 | 230 | 250 | 271 | 292 | 313 | 333 | 354 | 378 | 403 | 427 | 452 | 476 | 500 |
|       | 80 DB            | Low Side  | 145                                      | 146 | 148 | 149 | 150 | 152 | 153 | 154 | 155 | 156 | 158 | 159 | 160 | 161 | 163 |
|       | 67 WB            | High Side | 191                                      | 212 | 233 | 254 | 275 | 295 | 323 | 338 | 359 | 384 | 409 | 433 | 458 | 483 | 508 |
|       | 85 DB            | Low Side  | 158                                      | 159 | 161 | 162 | 163 | 164 | 166 | 167 | 168 | 169 | 171 | 172 | 173 | 175 | 176 |
|       | 72 WB            | High Side | 198                                      | 219 | 240 | 260 | 281 | 302 | 323 | 343 | 364 | 389 | 414 | 439 | 464 | 489 | 515 |
| I42H1 | 75 DB            | Low Side  | 126                                      | 128 | 130 | 132 | 134 | 136 | 138 | 139 | 141 | 142 | 143 | 144 | 145 | 146 | 147 |
|       | 62 WB            | High Side | 192                                      | 212 | 233 | 253 | 274 | 294 | 315 | 335 | 356 | 379 | 402 | 426 | 449 | 472 | 496 |
|       | 80 DB            | Low Side  | 140                                      | 141 | 143 | 145 | 146 | 148 | 150 | 151 | 153 | 154 | 155 | 156 | 157 | 158 | 159 |
|       | 67 WB            | High Side | 195                                      | 216 | 236 | 257 | 278 | 299 | 326 | 340 | 361 | 384 | 408 | 432 | 455 | 479 | 503 |
|       | 85 DB            | Low Side  | 144                                      | 145 | 147 | 148 | 150 | 151 | 152 | 154 | 155 | 156 | 157 | 158 | 159 | 160 | 161 |
|       | 72 WB            | High Side | 202                                      | 223 | 243 | 264 | 284 | 304 | 325 | 345 | 366 | 390 | 414 | 438 | 462 | 486 | 510 |
| I48H1 | 75 DB            | Low Side  | 129                                      | 130 | 131 | 132 | 133 | 133 | 134 | 135 | 136 | 137 | 139 | 140 | 142 | 143 | 144 |
|       | 62 WB            | High Side | 183                                      | 205 | 226 | 248 | 269 | 291 | 313 | 334 | 356 | 381 | 407 | 432 | 458 | 484 | 509 |
|       | 80 DB            | Low Side  | 140                                      | 141 | 142 | 144 | 145 | 146 | 148 | 149 | 151 | 152 | 154 | 155 | 157 | 158 | 160 |
|       | 67 WB            | High Side | 187                                      | 209 | 230 | 252 | 274 | 295 | 324 | 339 | 361 | 387 | 413 | 439 | 465 | 491 | 517 |
|       | 85 DB            | Low Side  | 154                                      | 155 | 157 | 158 | 160 | 161 | 162 | 164 | 165 | 167 | 168 | 170 | 172 | 173 | 175 |
|       | 72 WB            | High Side | 189                                      | 212 | 234 | 257 | 280 | 303 | 325 | 348 | 371 | 397 | 424 | 451 | 477 | 504 | 530 |
| I60H1 | 75 DB            | Low Side  | 127                                      | 127 | 128 | 128 | 129 | 130 | 130 | 131 | 131 | 133 | 134 | 135 | 136 | 137 | 139 |
|       | 62 WB            | High Side | 196                                      | 218 | 240 | 261 | 283 | 305 | 326 | 348 | 370 | 396 | 422 | 448 | 474 | 500 | 526 |
|       | 80 DB            | Low Side  | 137                                      | 138 | 139 | 140 | 142 | 142 | 143 | 144 | 146 | 147 | 148 | 150 | 151 | 152 | 154 |
|       | 67 WB            | High Side | 200                                      | 222 | 244 | 266 | 288 | 310 | 339 | 353 | 375 | 402 | 428 | 454 | 481 | 507 | 534 |
|       | 85 DB            | Low Side  | 152                                      | 153 | 153 | 154 | 155 | 156 | 157 | 158 | 159 | 161 | 162 | 164 | 165 | 167 | 168 |
|       | 72 WB            | High Side | 203                                      | 226 | 249 | 271 | 294 | 317 | 340 | 363 | 385 | 412 | 440 | 467 | 494 | 521 | 548 |

**TABLE 11B  
PART LOAD HEATING PRESSURE/TEMPERATURE**

| MODEL | RETURN AIR TEMP. | PRESSURE  | AIR TEMPERATURE ENTERING OUTDOOR COIL °F |     |     |     |     |     |     |     |     |     |     |     |     |     |     |
|-------|------------------|-----------|--|-----|-----|-----|-----|-----|-----|-----|-----|-----|-----|-----|-----|-----|-----|
|       |                  |           | 0  | 5   | 10  | 15  | 20  | 25  | 30  | 35  | 40  | 45  | 50  | 55  | 60  | 65  | 70  |
| I30H1 | 70° DB           | Low Side  | 40                                       | 47  | 54  | 61  | 68  | 75  | 83  | 90  | 97  | 104 | 115 | 125 | 135 | 146 | 156 |
|       |                  | High Side | 239                                      | 249 | 258 | 268 | 278 | 288 | 297 | 307 | 311 | 315 | 328 | 341 | 353 | 366 | 378 |
| I36H1 | 70° DB           | Low Side  | 36                                       | 44  | 51  | 58  | 65  | 73  | 80  | 87  | 96  | 104 | 114 | 123 | 133 | 142 | 152 |
|       |                  | High Side | 233                                      | 241 | 248 | 255 | 262 | 270 | 277 | 284 | 292 | 299 | 307 | 315 | 322 | 330 | 338 |
| I42H1 | 70° DB           | Low Side  | 37                                       | 45  | 52  | 60  | 67  | 75  | 82  | 90  | 96  | 103 | 110 | 118 | 126 | 134 | 142 |
|       |                  | High Side | 242                                      | 250 | 258 | 265 | 273 | 281 | 288 | 296 | 303 | 309 | 316 | 323 | 331 | 338 | 345 |
| I48H1 | 70° DB           | Low Side  | 35                                       | 43  | 51  | 59  | 67  | 75  | 83  | 92  | 98  | 105 | 115 | 124 | 134 | 143 | 153 |
|       |                  | High Side | 265                                      | 271 | 277 | 282 | 288 | 293 | 299 | 305 | 318 | 331 | 340 | 348 | 357 | 365 | 374 |
| I60H1 | 70° DB           | Low Side  | 38                                       | 45  | 52  | 60  | 67  | 74  | 82  | 89  | 96  | 104 | 113 | 122 | 131 | 140 | 149 |
|       |                  | High Side | 263                                      | 272 | 281 | 291 | 300 | 309 | 318 | 327 | 336 | 345 | 356 | 366 | 377 | 387 | 398 |

## Free Manuals Download Website

<http://myh66.com>

<http://usermanuals.us>

<http://www.somanuals.com>

<http://www.4manuals.cc>

<http://www.manual-lib.com>

<http://www.404manual.com>

<http://www.luxmanual.com>

<http://aubethermostatmanual.com>

Golf course search by state

<http://golfingnear.com>

Email search by domain

<http://emailbydomain.com>

Auto manuals search

<http://auto.somanuals.com>

TV manuals search

<http://tv.somanuals.com>