

## INSTALLATION INSTRUCTIONS

1. Remove the cover plate from the appropriate option slot in the ATLAS 550 rear panel.
2. Slide the Dual/Quad T1/PRI Module into the option slot until the module is firmly positioned against the front of the chassis.
3. Secure the thumbscrews at both edges of the module. Tighten with a screwdriver.
4. Connect the cables to the associated device(s).
5. Complete installation of remaining modules and Base Unit as specified in the Installation chapter of the ATLAS 550 System Manual.

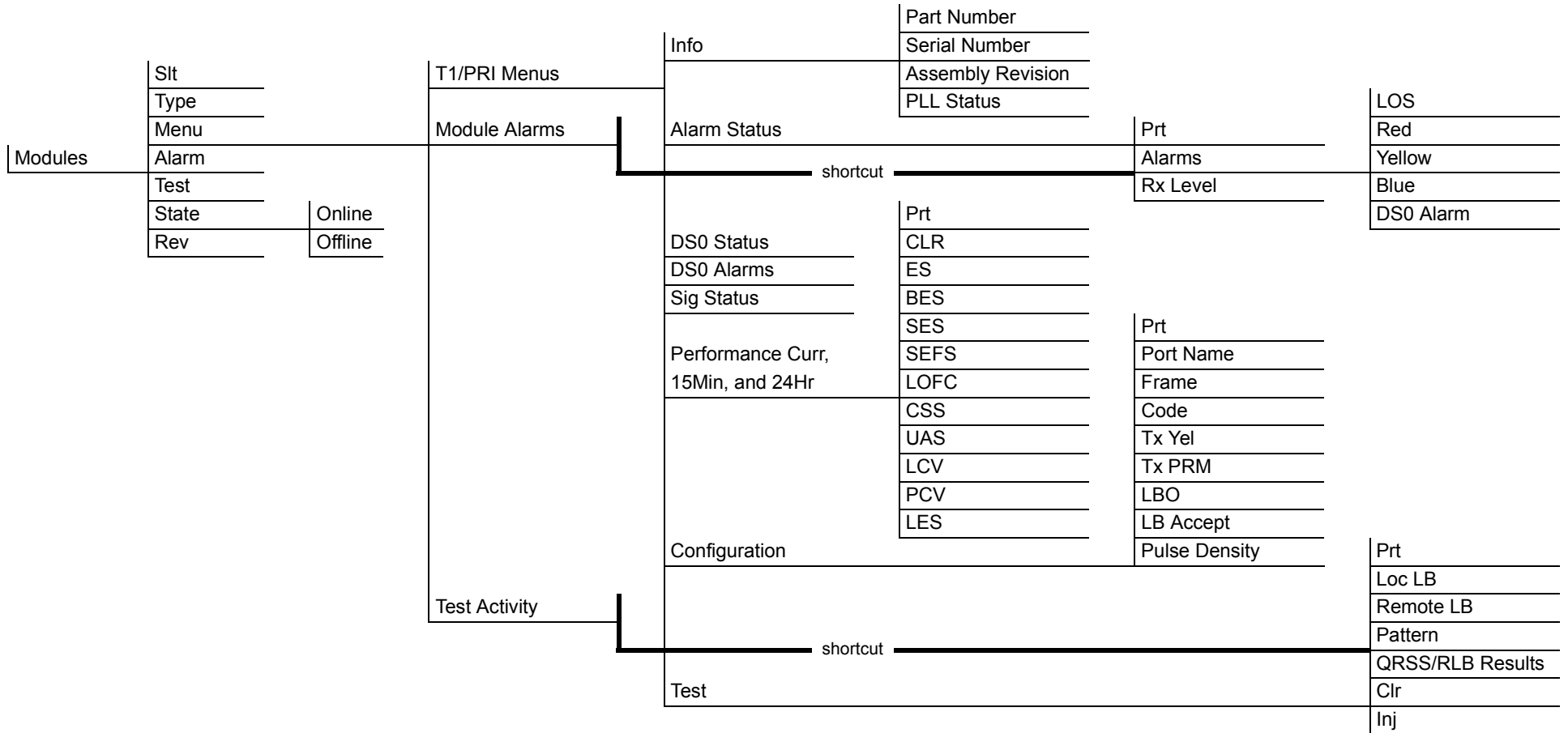
## NETWORK CONNECTION PINOUT

Pin	Name	Description
1	R1 RXDATA	Receive data from the network ring
2	T1 RXDATA	Receive data from the network tip
3	Unused	n/a
4	R TXDATA	Send data towards the network ring
5	T TXDATA	Send data towards the network tip
6, 7, 8	Unused	n/a

## SPECIFICATIONS

<b>Line Rate</b>	1.544 Mbps, $\pm$ 75 bps
<b>Capacity</b>	T1: 1-24 DS0s PRI: 23 B+D
<b>Line Codes</b>	AMI (alternate mark inversion) or B8ZS (bipolar return to zero)
<b>Framing</b>	D4 or ESF
<b>Tests</b>	Self-test, line loopback, payload loopback
<b>Connectors</b>	RJ-48C (eight-position, modular jack)
<b>Terminating Impedance</b>	100 ohms $\pm$ 5%

**MENU TREE**



## Free Manuals Download Website

<http://myh66.com>

<http://usermanuals.us>

<http://www.somanuals.com>

<http://www.4manuals.cc>

<http://www.manual-lib.com>

<http://www.404manual.com>

<http://www.luxmanual.com>

<http://aubethermostatmanual.com>

Golf course search by state

<http://golfingnear.com>

Email search by domain

<http://emailbydomain.com>

Auto manuals search

<http://auto.somanuals.com>

TV manuals search

<http://tv.somanuals.com>