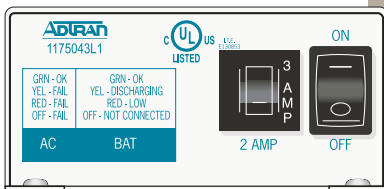


## AC/DC POWER SUPPLY AND BATTERY CHARGER

CLEI:SIMPAARA



## MOUNTING INSTRUCTIONS

**1** Remove the TA 750/850 AC Power Supply (ADTRAN part # 1175043LX) from the box and inspect for damage. If damage is apparent, contact your carrier or supplier.

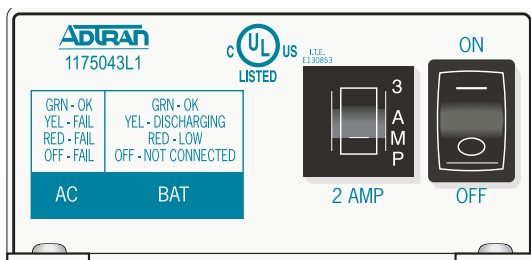
**2** Place the power supply with the power cord oriented downward.

**3** Use four #6 x 3/8" machine screws (supplied) to mount the power supply to either side of the TA 750/850 shelf.

*Note: Threaded mounting holes are provided on both sides of the shelf.*

*Note: For battery backup installations, it is recommended to mount the power supply on the left side of the TA 750/850 shelf, next to the battery cover hinge.*

*Note: Alternatively, the power supply can be mounted to the backboard with four #6 x 1" wood screws (not supplied).*



The device complies with Part 15 of the FCC rules. Operation is subject to the following two conditions: (1) This device may not cause harmful interference, and (2) this device must accept any interference received, including interference that may cause undesired operation.

Changes or modifications not expressly approved by ADTRAN could void the user's authority to operate this equipment.

## WARRANTY

Warranty for Carrier Network products manufactured by ADTRAN and supplied under Buyer's order for use in the U.S. is ten (10) years. For a complete copy of ADTRAN's U.S. Carrier Network Equipment Warranty: (877) 457-5007, Document 414.



## STATUS LEDS

AC Power Operation (AC power only)		Battery Operation (AC power supply or battery backup)	
● GREEN	OK	● GREEN	OK (charging)
● YELLOW	Power Fail	● YELLOW	Discharging
● RED	Power Fail	● RED	Low (<40 V)
○ OFF	Power Fail	○ OFF	Disconnected

## RELAYS

### Alarm Relay

- Provided for customer use

Condition	Alarm Relay
Normal	Open
AC Power Failure/ Battery Backup engaged	Cycles open/closed once per second if AC voltage <88 Vrms at full load and battery backup is connected
Battery voltage <45V	Stays closed if voltage <45 VDC to indicate that battery is becoming depleted

### Battery Disconnect Relay

- Disconnects battery pack from the system if the battery voltage falls below 40 VDC
- Prevents damage to batteries

## CIRCUIT BREAKER

- 3-amp circuit breaker
- Protects unit from over-current
- Rocker button extends out from front panel when tripped
- Reset by pushing in on the rocker button

## GROUNDING

- 18 AWG or larger ground wire recommended to connect additional ground connector to 'ground bus' in customer equipment room

## ELECTRICAL SPECIFICATIONS

- AC input: 115 V nominal
- Range: 90 to 132 VAC
- DC output: -54 V, 60 W average, 100 W peak
- Battery charging: 16 hr nominal, 24 hr maximum
- Battery discharge: Up to 8 hours

## TELECOMMUNICATIONS CODES

Code	Input	Output
IC	F	C
TC	—	—
PC	R	—

## BACKUP BATTERY PACK

CLEI: SIMPBBARA



## MOUNTING INSTRUCTIONS

- 1 Unpack the TA 750/850 Battery Backup system and inspect for damage. If damage is apparent, refer to your carrier or supplier for remedy.

*Note: It is not necessary to remove the batteries during installation process.*

- 2 The battery box must be mounted with the following minimum clearances:

Top – 9"  
 Bottom – 5"  
 Left Side – 5"  
 Right Side – 2"

- 3 Using the template provided, mark and drill three pilot holes for #10 mounting screws.

- 4 Insert #10 x 3/4" flat-head wood screws (supplied) into the three pilot holes, leaving 1/16" space between the screw-head and the backboard.

**CAUTION: Fully loaded Battery box weighs 30 lbs.**

- 5 Mount the battery box on the three support screws on the backboard.

- 6 Remove the two closure screws on the battery box and open the cover.

- 7 Use a long shaft screwdriver to tighten the three support screws.

## WARRANTY

Warranty for Carrier Network products manufactured by ADTRAN and supplied under Buyer's order for use in the U.S. is ten (10) years, except for batteries which carry manufacturer's warranty. For a complete copy of ADTRAN's U.S. Carrier Network Equipment Warranty: (877) 457-5007, Document 414.

## TELECOMMUNICATIONS CODES

Code	Input	Output
IC	—	C
TC	—	—
PC	E	—



## MAINTENANCE

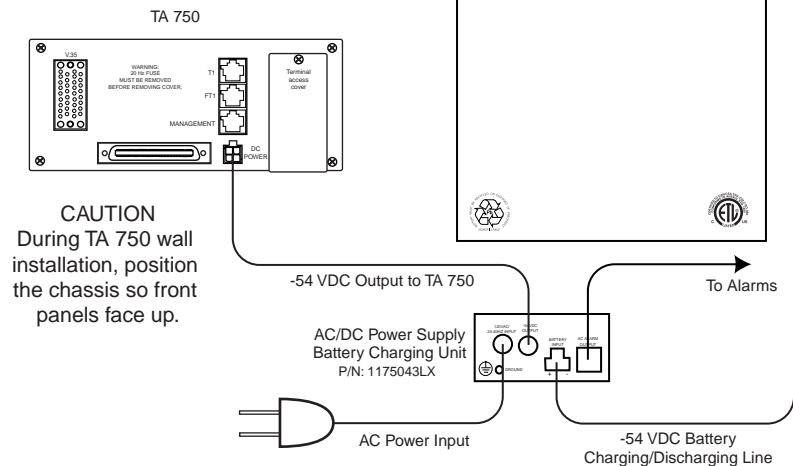
- Life expectancy: 3-5 years on standby use
- Battery performance is adversely affected by extreme temperatures.
- Old batteries should be recycled.

## BATTERY SPECIFICATIONS

- Batteries: 7 Amp/hr (4 batteries per pack)
- Case size: 6"W x 3 3/4"H x 2 1/2"D
- Battery type: Lead acid
- Voltage: -54 VDC
- Backup Time: Up to 8 hours
- Wire Gauge: 18 AWG
- Preferred Temperature: 68° F (20° C)

The device complies with Part 15 of the FCC rules. Operation is subject to the following two conditions: (1) This device may not cause harmful interference, and (2) this device must accept any interference received, including interference that may cause undesired operation.

Changes or modifications not expressly approved by ADTRAN could void the user's authority to operate this equipment.



## Free Manuals Download Website

<http://myh66.com>

<http://usermanuals.us>

<http://www.somanuals.com>

<http://www.4manuals.cc>

<http://www.manual-lib.com>

<http://www.404manual.com>

<http://www.luxmanual.com>

<http://aubethermostatmanual.com>

Golf course search by state

<http://golfingnear.com>

Email search by domain

<http://emailbydomain.com>

Auto manuals search

<http://auto.somanuals.com>

TV manuals search

<http://tv.somanuals.com>