

Operating instructions

A 75100 GA3



Freezer

Before installing and using the appliance read this user's instruction book carefully. It contains safety precautions, hints, information and ideas. If the refrigerator is used in compliance with the instructions written, it will operate properly and provide you with greatest satisfaction.

The symbols below help you to find things more easily:



Safety precautions

Warnings and information at this symbol serve safety for you and your appliance.



Hints, useful information



Environmental information



Symbol for ideas

At this symbol ideas can be found according to food and its storing.



The symbol on the product or on its packaging indicates that this product may not be treated as household waste. Instead it shall be handed over to the applicable collection point for the recycling of electrical and electronic equipment. By ensuring this product is disposed of correctly, you will help prevent potential negative consequences for the environment and human health, which could otherwise be caused by inappropriate waste handling of this product. For more detailed information about recycling of this product, please contact your local city office, your household waste disposal service or the shop where you purchased the product.

Contents

Important safety information.....	3	Maintenance.....	6
General safety precautions.....	3	Automatic defrosting.....	6
Precautions for child safety.....	3	No-Frost technology.....	6
Safety precautions for installation.....	3	Regular cleaning.....	7
Safety precautions for isobutane.....	3	Long-term absence.....	7
Instruction for the User.....	4	Trouble shooting.....	7
General information.....	4	Instructions for the Installer.....	8
General safety precautions.....	4	Installing the appliance.....	8
Switch and indicators.....	5	Transportation, unpacking.....	8
Handling the appliance.....	5	Cleaning.....	8
Installation.....	5	Placement.....	8
Adjusting the temperature.....	5	Change of door opening direction.....	9
Freezing.....	5	Electrical Connection.....	9
Storing.....	6	Electrical Requirements.....	9
How to make ice cubes.....	6	Noises During Operation.....	10
Some useful information and advice.....	6	Regulations, Standards, Guidelines.....	10
Freezing and storage of frozen foods.....	6	Technical Terminology.....	10
Hints and ideas.....	6	Electrical Connection.....	11
How to save energy.....	6	Storage time chart.....	11
The appliance and environment.....	6		



From the Electrolux Group. The world's No.1 choice.

The Electrolux Group is the world's largest producer of powered appliances for kitchen, cleaning and outdoor use. More than 55 million Electrolux Group products (such as refrigerators, cookers, washing machines, vacuum cleaners, chain saws and lawn mowers) are sold each year to a value of approx. USD 14 billion in more than 150 countries around the world.

Important safety information



General safety precautions

- This appliance is heavy. Care should be taken when moving it.
- Keep these instructions. They should remain with the appliance when moving away or changing owner.
- This appliance is designed for storing and freezing food, domestic use according to these instructions only.
- **Only specialised companies that are qualified to do so by the manufacturer must carry out service and repairs including repairing and changing the power cord.** Accessory parts supplied by them should be used only for repairing. Alterations or changes are not permitted for reasons of safety.
- The appliance is out of circuit only in that case if the plug is removed from the socket. Before cleaning and maintenance always switch off and unplug the appliance (do not get it by the cable). If the socket is difficult to reach, switch off the appliance by cutting off the current.
- Power cord must not be lengthened.
- **Make sure that the power plug is not squashed or damaged by the back of the fridge/freezer.**
 - A damaged power plug may overheat and cause a fire.
- **Do not place heavy articles or the fridge/freezer itself on the power cord.**
 - There is a risk of a short circuit and fire.
- **Do not remove the power cord by pulling on its lead, particularly when the fridge/freezer is being pulled out of its niche.**
 - Damage to the cord may cause a short-circuit, fire and/or electric shock.
 - If the power cord is damaged, it must be replaced by a certified service agent or qualified service personnel.
- **If the power plug socket is loose, do not insert the power plug.**
 - There is a risk of electric shock or fire.
- When cleaning, defrosting, taking out frozen food or ice tray do not use sharp, pointed or hard devices, as they can cause damage to the appliance.
- Ice and ice-cream can cause hurt if they are eaten immediately after removal from the frozen food compartment.
- After defrosting frozen food it must not be refrozen, it must be consumed as soon as possible.
- Store pre-packed frozen food in accordance with the frozen food manufacturer's instructions.
- You must not make defrosting faster with any electric heating appliance or chemicals.
- **Warning:** if you place frozen foods on top of the product, the interaction of cold and vapor may produce water condensate in the space below the top. If such water condensate drips on the electric components placed in that space, a short-circuit may occur and damage the product. Therefore it is forbidden to place frozen foods on top of the product.

- Do not store flammable gas and liquid in the appliance because they may explode.
- Do not put carbonated drinks, bottled drinks and bottled fruits into the freezer.



Precautions for child safety

- Do not allow children to play with the packaging of the appliance. Plastic foil can cause suffocation.
- This appliance is designed to be operated by adults. Children should not be allowed to tamper with the controls or play with the product.
- When the appliance is to be scrapped, cut off the electrical supply cable and destroy the plug with remaining cable. Disable the door catch in order to prevent children from becoming trapped inside.
- This appliance is not intended for use by persons (including children) with reduced physical sensory or mental capabilities, or lack of experience and knowledge, unless they have been given supervision or instruction concerning use of the appliance by a person responsible for their safety.



Safety precautions for installation

- Place the appliance against the wall to avoid touching or catching warm parts (compressor, condenser) to prevent possible burn.
- When moving the appliance take care to remove the plug in the socket.
- When placing the appliance take care not to stand it on the power cord.
- Adequate air circulation should be around the appliance as lack of this will lead to overheating. To achieve sufficient ventilation follow the instructions relevant to installation.



Safety precautions for isobutane

Warning

- The refrigerant of the appliance is isobutane (R600a) that is inflammable and explosive to a greater extent.
- Keep ventilation openings, in the appliance enclosure or in the built-in structure, clear of obstruction.
- Do not use mechanical devices or other means to accelerate the defrosting process, other than those recommended by the manufacturer.
- Do not damage the refrigerant circuit.
- Do not use electrical appliances inside the food storage compartments of the appliance, unless they are of the type recommended by the manufacturer.



For the safety of life and property keep the precautions of these user's instructions as the manufacturer is not responsible for damages caused by omission.

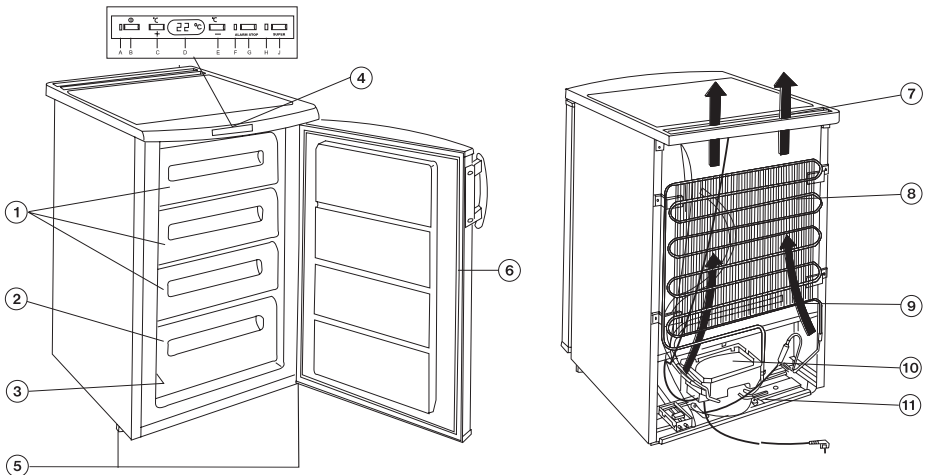
Instructions for the User

General information

The official designation of the appliance is home freezing. According to this the appliance is suitable for storing frozen and deep-frozen food, freezing products in quantity given in the user's instructions at home and making ice.

The appliance can meet the requirements of standards between different temperature limits according to the climate class. The letter symbol for climate class can be found on the rating plate.

General safety precautions



1. Storing compartment
2. Freezing compartment
3. Rating plate
4. Switches and indicators
5. Adjustable feet

6. Door sealing gasket
7. Ventilation grid
8. Condenser
9. Airflow direction
10. Evaporator tray
11. Compressor

Waste handling

Packing materials

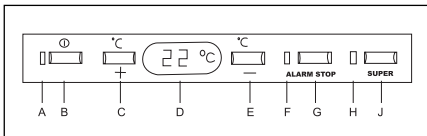
- The materials marked with are reusable.

>PE< PE= polyethylene
 >PS< PS= polystyrene
 >PP< PP= polypropylene

The packing consists of reusable materials only.

Switches and indicators

- (A) On/off indicator (green)
- (B) On/off switch
- (C) Thermostat button (for higher temperatures)
- (D) Temperature display
- (E) Thermostat button (for lower temperatures)
- (F) Alarm indicator (red)
- (G) ACOUSTIC alarm OFF switch (see "Control and information system")
- (H) QUICK FREEZE indicator (yellow)
- (J) QUICK FREEZE pushbutton switch



Handling the appliance

Installation

Insert the plug into the socket. Press the on/off switch of the freezing compartment. The green on/off indicator will light continuously and the current temperature value will flash.

The flashing of the red alarm indicator and the acoustic alarm will warn you that the internal temperature is not yet sufficient for the conservation of food. To switch off the acoustic alarm and the temperature display flashing, press button "G". Do not put any food in the freezer until the internal temperature reaches -18 C or the red alarm indicator goes out.

Adjusting the temperature

Temperature controls

Temperature can be regulated with the use of the "+" (higher) and "-" (lower) buttons.

These buttons are interlinked with the temperature display.

- Press either "+" or "-" to switch the temperature display from CURRENT temperature (continuous lighting) to DESIRED temperature (flashing).
- If neither button is pressed again, the temperature display will shortly (within approx. 5 seconds) return to CURRENT temperature.

DESIRED temperature:

It is the temperature to be achieved in the freezing compartment.

CURRENT temperature:

It is the actual temperature of the freezing compartment as shown on the temperature display. The CURRENT temperature is shown by a continuous light.

Temperature display

The temperature display is able to show various information:

- Under normal operating conditions it displays the actual temperature (CURRENT temperature) of the freezer.
- At the time of setting the temperature, the temperature currently set will flash (DESIRED temperature).

QUICK FREEZE on/off switch

The quick freeze function ("FROSTMATIC") is used to achieve the quick freezing of fresh food and to prevent the already frozen goods from undesirable warming up. You can turn on the quick freeze function by pressing the quick freeze on/off switch. The yellow indicator will light up.

You can manually turn off the quick freeze function any time by pressing the quick freeze on/off switch again. The yellow indicator will go out. If not switched off manually, the quick freeze function will be automatically switched off 48 hours later. The yellow indicator will go out.

Temperature problem

Once the temperature of the freezing compartment rises above -12 C the red alarm indicator will light up and an acoustic alarm will be heard.

Possible causes of such temperature rise:

- door opened too frequently or left open too long
- large volume of hot food stored in the freezing compartment
- product defect

You can stop the acoustic alarm by pressing the "Acoustic alarm off switch". Once the temperature of the freezing compartment reduces to a displayable value, the red alarm indicator and the acoustic alarm will automatically stop.

Note:

The acoustic alarm will stop:

- when the quick freeze function is switched on (by pressing the "Quick freeze on/off switch")

Freezing

Prepare the various foods properly and then freeze them always in the freezing compartment.

The quick freeze function ("FROSTMATIC") is used to achieve the quick freezing of fresh food and to prevent the already frozen goods from undesirable warming up.

For using the quick freeze function, press the quick freeze on/off switch (J) for 2-3 seconds; in the case of small and great food volumes you should do it approx. 4 and 24 hours, respectively, before you want to freeze the fresh food.

The yellow indicator (H) will light up and the compressor will operate continuously until the product reaches the freezing temperature.

Once the food is completely frozen (it may take up to 24 hours) you can manually switch off the quick freeze function by pressing the switch (J) for 2-3 seconds. If not switched off manually, the quick freeze function will be automatically switched off 48 hours later. The yellow indicator (H) will also go out.

Storing

It is practical to replace frozen products into the storing compartments (drawers) after freezing has finished so that to make room in the freezing compartment for another freezing.

Intermediate freezing does not deteriorate foods already stored.

How to make ice cubes

To make ice cubes fill the enclosed ice cube tray with water and place it to the frozen food compartment. Wetting the bottom of the tray and setting thermostatic control knob to maximum stage can shorten preparing time. After finishing do not forget to reset the thermostatic control to the suitable setting.

To release the ice cubes hold the tray under running water then twist the tray.

Some useful information and advice

- After opening and closing the door of the freezer, vacuum will rise inside the appliance because of the low temperature. So wait 2-3 minutes after closing the door while inner pressure equalises.
- Take care of operating the freezer at a position of thermostatic control so that the inside temperature can never go beyond -18°C , since temperature higher than this can deteriorate frozen foods.
- It is practical to make sure of faultless operation of the appliance daily so as to notice possible failure in time and prevent deterioration of frozen foods.
- After a power failure the product will restart and the quick freeze function will be switched on.

Freezing and storage of frozen foods

- As freezing with "No-Frost" technology is quicker, the foods frozen this way will preserve their original form, nutritional value and taste even after thawing.
- Place the foods to be frozen in the lower part of the product.
- For the perfect operation of the product, make sure that the frozen foods will not touch the ventilator cover or the ventilator mounted on the backside of the product.
- For the best results it is recommended to distribute the frozen foods evenly in the boxes.
- If you make small portions of the foods, the freezing process will take less time and subsequent thawing will be possible in small portions also.
- In order to avoid freezing burns, do not touch ice-creams immediately after they have been taken out from the freezer.
- It is recommended to state the freezing date on the package in order to check the storage duration.
- The time of transportation from the seller to the consumer must be as short as possible.

Hints and ideas


In this chapter practical hints and ideas are given about how to use the appliance to reach maximum energy saving and there is environmental information about the appliance as well.

How to save energy

- Avoid putting the appliance in a sunny place and near anything that gives off heat.
- Be sure that the condenser and the compressor are well ventilated. Do not cover the sections where the ventilation is.
- Wrap products in tightly closing dishes or cling film to avoid building up unnecessary frost.
- Avoid products put in the freezer compartment touching foods already frozen.
- Do not leave the door open longer than necessary and avoid unnecessary openings.
- Put warm foods into the appliance only when they are at room temperature.
- The condenser must be kept clean.

The appliance and environment

This appliance does not contain gasses which could damage the ozone layer, in either its refrigerant circuit or insulation materials. The appliance shall not be discarded together with the urban refuse and rubbish. Avoid damaging the cooling unit, especially at the rear near the heat exchanger. Information on your local disposal sites may be obtained from your municipal authorities.

The materials used on this appliance marked with the symbol  are recyclable.

Maintenance

Automatic defrosting

This product is designed to avoid the formation of ice in the freezer. Accordingly, there is no need for manual defrosting. The product will automatically perform any defrosting once it becomes necessary.

No-Frost technology

In order to facilitate the removal of the ice layer, the evaporator is assisted by electric heating during the defrosting procedure. The ventilator is in OFF position. The defrost water will drip in the tray placed at the compressor and will evaporate. In the course of the defrosting procedure (approx. 30 minutes) the evaporator becomes warm but it has no influence on the internal temperature.

The foods should be kept well-packed in order to avoid any moisture loss as a result of air circulation.

Do not obstruct the vent holes because otherwise the operability of the product may be compromised.

For such purpose it is recommended to put all foods in the drawers in the freezer compartment.

Regular cleaning

Never use soap or abrasives for cleaning.

Once it is disconnected from the mains, wash the product with lukewarm water and then wipe it dry.

Use clean water to clean the door sealing gasket.

After the cleaning operations, reconnect the product to the mains.

Once or twice a year it is recommended to remove the dust and dirt from the condenser mounted on the back panel.

If you do not use the product for longer periods, make sure to perform the following:

Switch off the product by pressing the on/off switch until the on/off indicator goes out.

Disconnect the product from the mains.

Remove all foods from the product.

Perform defrosting and cleaning operations as described above.

Leave the doors ajar to avoid the build-up of unpleasant odors.

Long-term absence

Problem	Possible causes	Remedial action
Cooling is too weak.	Thermostat is set too low. No sufficient pre-cooling done before freezing started. Too large quantity of food inserted: Too much food inserted for freezing at the same time. Food inserted while still hot. Door not fully closed.	Set to higher position. Provide for sufficient pre-cooling time. Cut food into pieces. Insert less food. Insert food of room temperature only. Check if door is fully closed.
Cooling is too strong.	Thermostat is set too high.	Set to lower position.
No cooling at all.	Plug is not properly inserted into socket. No current in socket. According to the indicator, the on/off switch (B) is not switched on.	Check plug-socket connection. Check presence of current. Press the on/off switch (B) for more than a second.
Noisy operation	Product support is not correct.	Check stability of product support (all four feet should stand on floor).
A rectangular symbol is shown on the right side of display "D"	Temperature sensor problem	Call the service personnel

In as much as the advice does not lead to result, call your nearest Service Force Centre

Power or operation failure:

In case of power failure during the storage of frozen foods, make sure not to open the freezer door. Once the power failure is over, the yellow indicator (3) of the quick freeze function will light up and then, 5 hours after restart, it will automatically go out.

If a short power failure occurs (max. 13 hours) and the appliance is full, the stored foods will not deteriorate. Otherwise you must use the stored food as soon as possible (if the temperature of the frozen foods rises, their storability will be shorter).

When the electronic system fails to detect the ACTUAL temperature, the alarm indicator will start to flash. The product will continue to operate with the use of a reserve system until the problem is eliminated by the local service personnel.

Instructions for the Installer

Installing the appliance

Transportation, unpacking

i It is recommended to deliver the appliance in its original packaging, in a vertical position.

After each transportation the appliance must not be switched on for approx. 2 hours.

Unpack the appliance and check if there are damages on it. Report possible damages immediately to the place of purchase. In which case retain packaging.

Cleaning

Remove any adhesive tape, which ensure the parts do not move in the appliance.

Wash the inside of the appliance using lukewarm water and mild detergent. Use soft cloth.

After cleaning wipe out the inside of the appliance.

Placement

The ambient temperature has an effect on the energy consumption and proper operation of the appliance. When placing, take into consideration that it is practical to operate the appliance between ambient temperature limits according to the climate class that is given in the chart below and can be found in the rating plate.

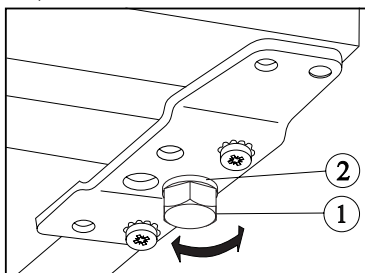
Class of climate	Ambient temperature
SN	+10 ... +32 °C
N	+16 ... +32 °C
ST	+18 ... +38 °C

If the ambient temperature goes below the lower data the temperature of the cooling compartment can go beyond the prescribed temperature.

If the ambient temperature goes beyond the upper data this means longer operating time of the compressor, increasing temperature in the freezer or increasing energy consumption.

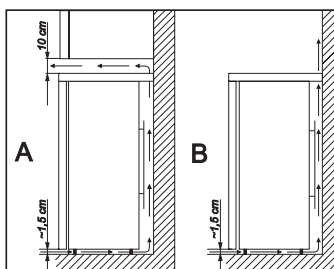
When placing the appliance ensure that it stands level. This can be achieved by the two adjustable feet (1) bottom

front two. 1-1 piece of distance washers (2) are accessories of the adjustable feet. When levelling the appliance if necessary, these washers can be removed.



Do not stand the appliance on a sunny place or close to a radiator or cooker.

If it is unavoidable because of furnishing and the appliance has to be stood near a cooker take these minimum distances into consideration:



! When placing the refrigerator keep minimal distances recommended in figure.

A: placing it under a wall-cupboard

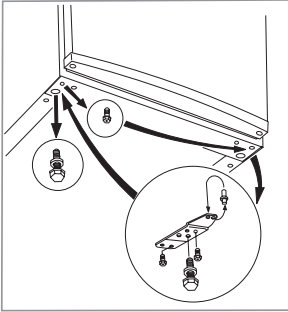
B: placing it freely

Change of door opening direction

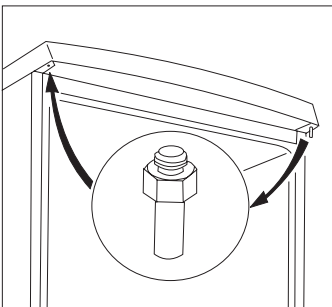
Should the setting-up place or handling demand it, door-opening direction can be refitted from the right hand side to the left hand side.

Following operations are to be done on the basis of figures and explanations:

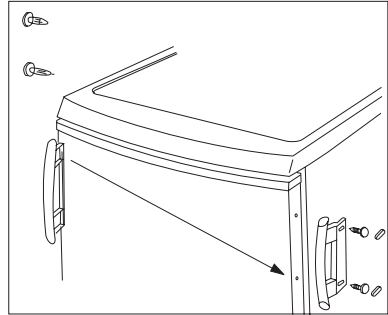
- Pull out the plug from the mains socket.
- Tilt back the appliance carefully so that the compressor can not touch the floor. It is recommended to ask another person for help, who can keep the appliance at this position safely.
- Unscrew the adjustable feet situated on both sides (2 pieces), in addition the screws fixing the lower door holders (2 pieces) respectively the screw on the other side.



- Take off the freezer door by pulling it slightly downwards.
- Unscrew the top door hinge pin of the refrigerator then screw it back on the other side.
- Fit the freezer door on the upper door hinge pin.
- Insert over the pin in the lower door holding plate in the direction of the arrow.



- Fix the plate on the other side leaving the position of the door unchanged.



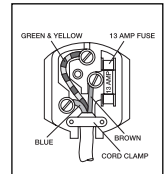
- Then screw in the one screw in the place set free on the other side as well as the adjustable feet (2 pieces) and stand upright again.
- Place over the handles on the other side and put the plastic covering pins supplied in the plastic bag of this instruction book into the vacant holes.
- Place the appliance back into its location, set it level and plug it into the mains socket.

In case you do not want to perform the procedures above, call your nearest Service Force Centre. Technicians will accomplish the refitting expertly for a charge .

Electrical Connection

! Any electrical work required to install this appliance should be carried out by a qualified electrician or competent person. This appliance must be earthed.

The manufacturer declines any liability should these safety measures not be observed.



Electrical Requirements

Before switching on, make sure the electricity supply voltage is the same as that indicated on the appliance rating plate.


The appliance is supplied with a 13 amp plug fitted. In the event of having to change the fuse in the plug supplied, a 13 amp ASTA approved (BS 1362) fuse must be used. Should the plug need to be replaced for any reason. The wires in the mains lead are coloured in accordance with the following code:


Green and Yellow:	Earth
Blue:	Neutral
Brown:	Live

The wire coloured green and yellow must be connected to the terminal marked with the letter "E" or by the earth symbol \oplus or coloured green and yellow.

The wire coloured blue must be connected to the terminal "N" or coloured black. The wire coloured brown must be connected to the terminal marked "L" or coloured red.

Upon completion there must be no cut, or stray strands of wire present and the cord clamp must be secure over the outer sheath.

 **Important!** The plug must still be accessible after the appliance has been installed. The appliance should not be connected to the electrical supply by means of an extension cable. In case that the electrical cable has to be replaced, please contact your local Service Force Centre.

 **Warning!** A cut off plug inserted into a 13 amp socket is a serious safety (shock) hazard. Ensure that it is disposed of safely.


Noises During Operation

The following noises are characteristic of refrigeration appliances:

- **Clicks**
Whenever the compressor switches on or off, a click can be heard.
- **Humming**
As soon as the compressor is in operation, you can hear it humming.
- **Bubbling/Splashing**
When refrigerant flows into thin tubes, you can hear bubbling or splashing noises. Even after the compressor has been switched off, this noise can be heard for a short time.

Regulations, Standards, Guidelines

This appliance was designed for household use and was manufactured in accordance with the appropriate standards. The necessary measures in accordance with appliance safety legislation regulations (GSG), accident prevention regulations for refrigeration appliances (VBG 20) and the regulations of the German Society of Electrical Engineers (VDE) were observed in the manufacture of this appliance. The refrigerant circuit has been checked for leaks.

 This appliance is in accordance with the following EU guidelines:

- 73/23/EWG dated 19 February 1973 - low voltage guidelines.
- 89/336/EWG dated 3 May 1989 (including guideline change notice 92/31/EWG) - EMV guideline
- 96/57 EEC - 96/09/03 (Energy Efficiency Directive) and its subsequent amendments

Technical Terminology

- **Refrigerant**
Liquids that can be used to generate a cooling effect are known as refrigerants. They have a relatively low boiling-point, indeed so low, that the warmth from the food stored in the fridge or freezer can cause the refrigerant to boil and vaporise.
- **Refrigerant Circuit**
Closed circulation system that contains the refrigerant. The refrigerant circuit comprises primarily of an evaporator, a compressor, a condenser and pipe work.
- **Evaporator**
The refrigerant is evaporated in the evaporator. Similar to all other liquids, refrigerant requires heat to evaporate. This heat is removed from the interior of the appliance, as a result the interior is cooled. The evaporator is therefore located inside the appliance or placed in foam immediately behind the inner wall and thus not visible.
- **Compressor**
The compressor looks like a small drum. It is driven by a built-in electric motor and is mounted on the base of the appliance at the rear. The task of the compressor is to draw in vaporised refrigerant from the evaporator, to compress it, and to pass it on to the condenser.
- **Condenser**
The condenser normally has the form of a grid. The refrigerant com-pressed in the compressor is liquefied in the condenser. During this process, heat is released to the surrounding air at the surface of the condenser. The condenser is mounted on the base of the appliance.

Electrical connection

This refrigerator is designed to operate on a 220 V - 240 V AC (~) 50 Hz supply.

The plug must be put into a socket with protective contact. If there is no such, it is recommended to get an electrician to fit an earthed socket in compliance with standards near the refrigerator.

CE This appliance complies with the following E.E.C. Directives:

- 73/23 EEC of 19.02.73 (Low Voltage Directive) and subsequent modifications,
- 89/336 EEC of 03.05.89 (Electromagnetic Compatibility Directive) and subsequent modifications,
- 96/57 EEC - 96/09/03 (Energy Efficiency Directive) and its subsequent amendments.

Storage time chart

Storage time of deep-frozen and frozen products

Foods	-18°C
Vegetables: green beans, green peas, mixed vegetables, marrow, corn, etc.	12 months
Ready-cooked foods: vegetable dish, trimmings, with meat, etc.	12 months
Ready-cooked foods: sirloin steaks, stew from knuckle of ham, etc.	6 months
Foods from potatoes, pasta: mashed potato, gnocchi, dumpling, chips	12 months
Soups: meat-broth, vegetable soup etc.	6 months
Fruits: sour cherry, cherry, gooseberry, fruit cream,	12 months
Meat: chicken, duck, goose	5 months
fillets, tuna fish	6 months
Ice lollies, ice-cream	3 weeks

 **From the Electrolux Group. The world's No.1 choice.**

The Electrolux Group is the world's largest producer of powered appliances for kitchen, cleaning and outdoor use. More than 55 million Electrolux Group products (such as refrigerators, cookers, washing machines, vacuum cleaners, chain saws and lawn mowers) are sold each year to a value of approx. USD 14 billion in more than 150 countries around the world.

AEG Hausgeräte GmbH

Postfach 1036

D-90327 Nürnberg

Sie können Ersatzteile, Zubehör und Pflegemittel on-line bestellen bei
<http://www.aeg-electrolux.de>

www.electrolux.com

www.aeg-electrolux.co.uk

© Copyright by AEG

Subject to change without notice

200382011- 02 - 2408

2008.06.06.

Free Manuals Download Website

<http://myh66.com>

<http://usermanuals.us>

<http://www.somanuals.com>

<http://www.4manuals.cc>

<http://www.manual-lib.com>

<http://www.404manual.com>

<http://www.luxmanual.com>

<http://aubethermostatmanual.com>

Golf course search by state

<http://golfingnear.com>

Email search by domain

<http://emailbydomain.com>

Auto manuals search

<http://auto.somanuals.com>

TV manuals search

<http://tv.somanuals.com>