

# ADDONICS TECHNOLOGIES

## Model: RT54S2HMEU

### I. Installing drive into the RAID Tower V



#### Step 1

Mount 2.5" SATA hard disk drives into the drive tray and slide the tray into the drive bay.

#### Step 2

Using 3.5" SATA hard disk drive, slide the drive into the drive bay. Close the front panel and using the key provided, turn the

key lock to the Lock position. This will secure the drive and turn on the power to the hard drive.

**Two HPMs are mounted on the tower. One HPM is connected to the disk array for 2.5" SATA drives. The other HPM is connected to the 4 Snap-in Mobile rack for 3.5" SATA drives.**

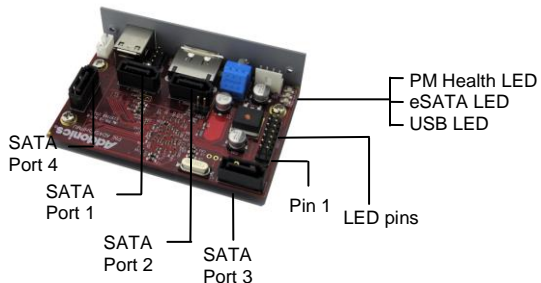
**Note:** It is recommended to fill up the RAID Tower V with SATA drives from left to right and top to bottom. This is to help in identifying which drives connect to which ports for easier troubleshooting.

### II. Connecting the power cable and RAID Tower V to the computer

- Connect the power cord provided from the wall outlet to the back of the RAID Tower.
- Make sure the power is off (power LED light should be off).
- Connect either the provided USB or eSATA cable from the back of the RAID Tower to the computer. We recommend connecting the eSATA port for best performance if this port is available on your computer.

### II.

Photo identifying SATA ports on HPM



USB 5-Pin Header Pin 1 Rotary Switch

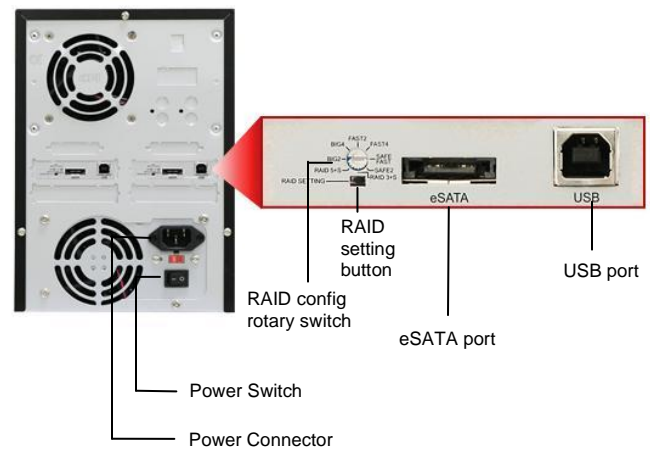
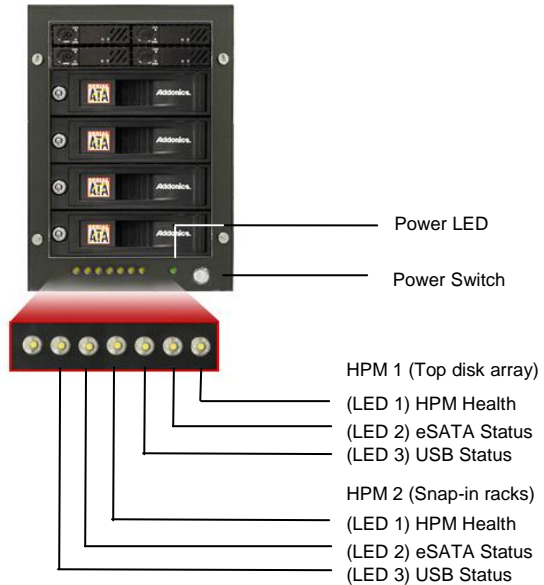


LED Pin Assignment

+	-	eSATA Status
-	+	USB Status
-	+	PM Power
-	+	PM Health
-	+	HD 3 PWR & ACCESS
-	+	HD 2 PWR & ACCESS
-	+	HD 1 PWR & ACCESS
-	+	HD 0 PWR & ACCESS

### III. Power on/off control

Turn on the power to the RAID Tower Mini by pressing the power button on the front. The power LED light should lit indicating the power is on.



### IV. Setting RAID on the HPM

- Attach the SATA hard drives (up to 4) to the SATA ports on the Hardware Port Multiplier (HPM) using SATA cables. It is recommended to connect drives to the SATA ports 1 to 4 successively.
- Set the Rotary switch to the RAID mode required.
- Push the RAID setting button with a ballpoint pen tip while the HPM is turned off.

Use a ballpoint pen tip to press the RAID Setting Button



# ADDONICS TECHNOLOGIES

## Model: RT54S2HMEU

4. While holding the RAID setting button, turn on the HPM and SATA hard drives and continue to hold button for at least 5 seconds.

**Note:** The onboard LED's for the eSATA and USB will start blinking while holding down the raid setting button. Once the raid setting button is released, the PM Health LED will blink 4-6 times.

If the PM Health LED stops blinking, the raid set is set correctly. If the PM Health LED lights up as solid green, it is a bad setup. You need to repeat setting up the raid again.

### Instruction for Special RAID Modes:

#### **BIG 2** - 2 Drives Spanned

- o **Note:** Do not connect more than 2 SATA drives to the hardware port multiplier. Doing so will hang the system when you configure the raid.
- o For SATA drives with different capacities, the hardware port multiplier will use the smallest drive capacity of the 2 drives connected to create the total partition size.

#### **FAST 2** - 2 Drives Striped

- o **Note:** Do not connect more than 2 SATA drives to the hardware port multiplier. Doing so will hang the system when you configure the raid.

### Verify RAID Setting on the HPM

**Note:** Disconnect the HPM from host when verifying the RAID setting.

It is assumed that you have already connected the SATA drives and set up the raid mode when verifying the raid setting.

1. Turn on the power for RAID V.
2. Push the RAID setting button with the tool provided. Using the table below, verify if the LEDs are lighting up. The selected LEDs will light up for 2 seconds followed by a blink and cycles back.

RAID Mode	LEDs
BIG 2	LEDs 1, 2 & 3 all OFF
BIG 4	1 ON, 2 & 3 OFF
FAST 2	3 ON, 1 & 2 OFF
FAST 4	2 ON, 1 & 3 OFF
SAFE FAST	1 & 3 ON, 2 OFF
SAFE 2	1 & 2 ON, 3 OFF
RAID 5	2 & 3 ON, 1 OFF
RAID 5 + S	1, 2 & 3 all ON

LED number is per HPM mounted

### TECHNICAL SUPPORT

Phone: 408-453-6212  
Hours: 8:30 am - 6:00 pm PST  
Email: <http://www.addonics.com/support/query/>

## Free Manuals Download Website

<http://myh66.com>

<http://usermanuals.us>

<http://www.somanuals.com>

<http://www.4manuals.cc>

<http://www.manual-lib.com>

<http://www.404manual.com>

<http://www.luxmanual.com>

<http://aubethermostatmanual.com>

Golf course search by state

<http://golfingnear.com>

Email search by domain

<http://emailbydomain.com>

Auto manuals search

<http://auto.somanuals.com>

TV manuals search

<http://tv.somanuals.com>