

OPERATING INSTRUCTIONS

PRODUCT MAY VARY SLIGHTLY FROM ILLUSTRATIONS

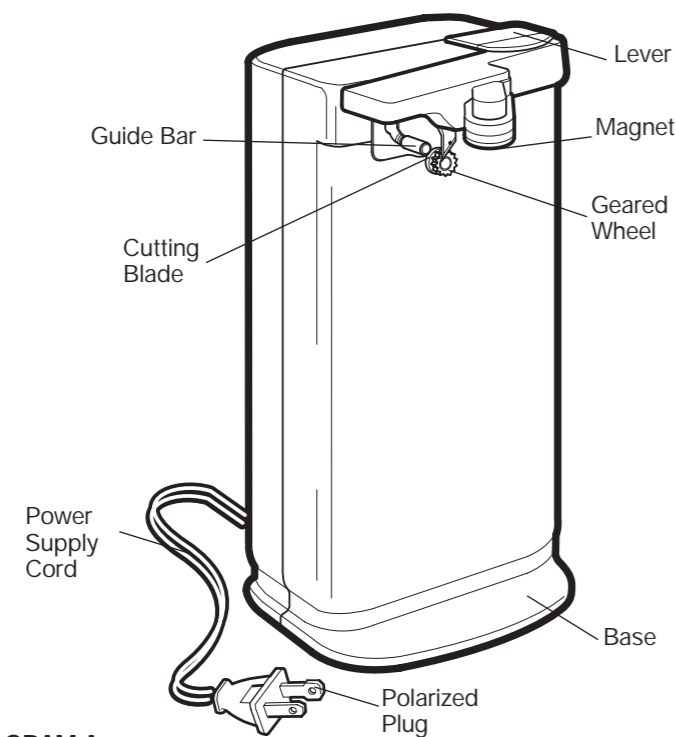


DIAGRAM A

This appliance is for HOUSEHOLD USE ONLY. Place it on a level surface, and insert plug into any 120-volt AC electrical outlet (ordinary household current). Do not use any other type of outlet.

NOTE:

This appliance has a polarized plug (one blade is wider than the other). As a safety feature, this plug fits in a polarized outlet only one way. If the plug does not fit into the outlet, reverse the plug and try again. If it still does not fit, contact a qualified electrician. Do not attempt to defeat this safety feature.

IMPORTANT NOTES:

To ensure continued, efficient performance by your can opener, keep the cutting blade clean.

Can opener should be turned off for 1 minute after operating for 5 minutes.

TO USE THE CAN OPENER

1. Raise lever, place can under the guide bar and against the geared wheel. (See diagram A to identify parts.)
2. Press down on lever to pierce lid of can (Diagram B). This automatically starts the cutting action. The can opener will continue to cut until the lid is completely severed from the can.
3. Grasp the can, then raise the lever to release the can.
4. Carefully slide the lid away from the magnet, using caution to avoid being injured by the sharp edge of the lid.

TO USE THE KNIFE/SCISSORS SHARPENER

1. Turn the unit sideways so that the knife sharpener is to your right (Diagram C).
2. Press down lever.
3. Place blade lightly in either left or right groove. Draw knife slowly toward you with a slow, even motion.
4. Place blade in other groove and repeat 4 or 5 times, alternating from one groove to the other until desired sharpness is achieved.

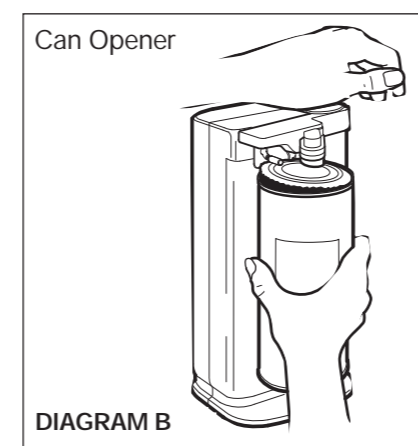


DIAGRAM B

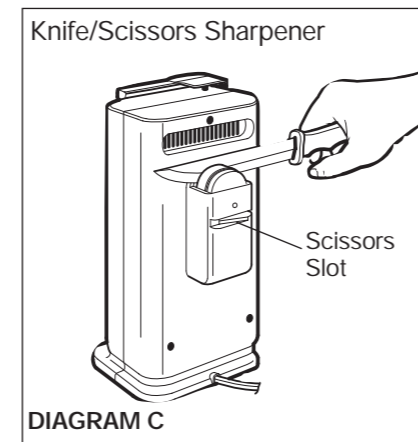


DIAGRAM C

5. This Can Opener/Knife Sharpener can also be used for sharpening scissors. A larger groove at the side of the knife sharpener is designed especially for scissors. Place one blade of the scissors in the groove, and then draw it toward you slowly and evenly. Repeat with the other blade.

SPECIAL ATTENTION:

Blades to be sharpened should be clean.

Do not sharpen knives that have serrated blades.

USER MAINTENANCE INSTRUCTIONS

This appliance requires little maintenance and contains no user serviceable parts. Do not try to fix it yourself. Refer it to qualified service personnel if servicing is needed.

NEVER IMMERSE CAN OPENER IN WATER OR ANY OTHER LIQUID. UNPLUG AND ALLOW TO COOL BEFORE CLEANING.

TO CLEAN: Unplug unit from electrical outlet. To remove lever, hold can opener facing you. Lift the lever upward and gently pull toward you. Wash lever in warm, soapy water and wipe outside surfaces of unit with a damp cloth.

To replace the lever, hold the can opener facing you with the lever in the lifted position, and put the long pivot into the pivot hole. At the same time the guide bar will align with the slot on the lever. Be sure to push completely into pivot hole. Then let lever drop back onto top of can opener. If you do not push lever completely into hole, it will not drop back onto top of opener.

TO STORE: Unplug can opener and store in its box or in a dry place. Store the cord loosely coiled; **never wrap it tightly around the unit.** Do not put any stress on cord where it enters the appliance as it may cause the cord to fray and possibly break.

IMPORTANT SAFETY INSTRUCTIONS

When using electrical appliances, especially when children are present, basic safety precautions should always be followed, including the following:

1. **READ ALL INSTRUCTIONS.**
2. To protect against electrical hazards, do not immerse in water or other liquid.
3. Close supervision is necessary when any appliance is used by or near children.
4. Unplug from outlet when not in use, before putting on or taking off parts, and before cleaning.
5. Avoid contact with moving parts.
6. Do not operate any appliance with a damaged cord or plug, or after the appliance malfunctions, or has been dropped or damaged in any manner. Return appliance to the nearest authorized service facility for examination, repair or electrical or mechanical adjustment.
7. The use of attachments not recommended or sold by the appliance manufacturer may cause fire, electric shock or injury.
8. Do not use outdoors.
9. Do not let cord hang over edge of table or counter or touch hot surfaces.

FULL ONE-YEAR WARRANTY

Applica warrants this product against any defects that are due to faulty material or workmanship for a one-year period after the original date of consumer purchase. This warranty does not include damage to the product resulting from accident or misuse. If the product should become defective within the warranty period, we will repair it or elect to replace it free of charge.

This warranty gives you specific legal rights and you may also have other rights which vary from state to state or province to province. Answers to any questions regarding warranty or service locations may be obtained by calling Consumer Assistance and Information: 203-926-3230.

Printed in Hong Kong
R197/11-14-90

CO-9501A (UL/SPE)

Admiral®

10. Do not open pressurized (aerosol-type) cans.
11. Do not open cans of flammable liquids, such as lighter fluids.

SAVE THESE INSTRUCTIONS

LINE CORD SAFETY TIPS

1. Never pull or yank on the cord or the appliance.
2. To insert plug, grasp it firmly and guide it into outlet.
3. To disconnect appliance, grasp plug and remove it from outlet.
4. Before each use, inspect the line cord for cuts and/or abrasion marks. If any are found, this indicates that the appliance should be serviced and the line cord replaced. Please return it to our Service Department or to an authorized service representative.

5. Never wrap the cord tightly around the appliance, as this could place undue stress on the cord where it enters the appliance and cause it to fray and break.

DO NOT OPERATE APPLIANCE IF THE LINE CORD SHOWS ANY DAMAGE, OR IF APPLIANCE WORKS INTERMITTENTLY OR STOPS WORKING ENTIRELY.

**TALL CAN OPENER
WITH
KNIFE/SCISSORS
SHARPENER**

USE AND CARE BOOK

HOUSEHOLD USE ONLY

Admiral®

Free Manuals Download Website

<http://myh66.com>

<http://usermanuals.us>

<http://www.somanuals.com>

<http://www.4manuals.cc>

<http://www.manual-lib.com>

<http://www.404manual.com>

<http://www.luxmanual.com>

<http://aubethermostatmanual.com>

Golf course search by state

<http://golfingnear.com>

Email search by domain

<http://emailbydomain.com>

Auto manuals search

<http://auto.somanuals.com>

TV manuals search

<http://tv.somanuals.com>