

## LIMITED WARRANTY

Aeromist, Inc. shall warrant the components of the Pump (Model 60100K) to be free of defects in workmanship for one year. This warranty does not apply to malfunctions caused by the fault or negligence of the buyer or third party, including failure to perform periodic maintenance. No warranty of merchantability or other warranty, expressed or implied, is made.

In order to take advantage of this warranty, you must first contact Aeromist, Inc. for a Return Goods Authorization Number. Any defective product must be returned freight prepaid to Aeromist for examination and disposition. Aeromist agrees to be responsible for return shipment costs on any approved warranty repair. The serial number of the product will determine warranty date unless original purchase invoice can be provided.

The buyer agrees that the sole and exclusive remedy in law or in equity for breach of any and all warranties and the sole and exclusive remedy for the manufacturer's liability of any kind (including without limitation, liability for negligence) with respect to the product and all other performance by the manufacturer will be limited to the repair of, or at the MANUFACTURER'S OPTION, THE REPLACEMENT OF THE PRODUCT. Buyer further agrees that the manufacturer will, in no event have any responsibility or bear any liability for (a) the cost of labor for the removal of any defective product or the installation of any replacement product, or (b) the cost of transportation to the manufacturer of the defective products returned for evaluation. Finally, buyer agrees that the manufacturer shall not be liable for any other loss or damage (including, without limitation, lost profits), even if the manufacturer has been advised of the possibility of such potential loss or damage.



**AEROMIST**  
.COM

23610 N 20th Dr, Ste 6, Phoenix, AZ 85085

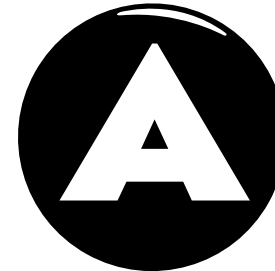
(602) 454-8900

[www.aeromist.com](http://www.aeromist.com)

# 1000 PSI MISTING PUMP

**MODEL 60100K**

## INSTALLATION INSTRUCTIONS



**AEROMIST**  
.COM

## LIST OF ALL ENCLOSED PARTS

| QTY | PART NO | DESCRIPTION                    |
|-----|---------|--------------------------------|
| 1   | 60100K  | Direct-Drive Pump              |
| 1   | 56402   | Flexible Nylon Tubing 25' Roll |
| 1   | 52000   | Automatic Drain Valve          |

## 57020 MAINTENANCE KIT

| QTY | PART NO | DESCRIPTION    |
|-----|---------|----------------|
| 1   | 57011   | Filter Element |
| 1   | 57025   | Pump Oil       |

## DIRECT DRIVE PUMP SPECIFICATIONS

| MODEL  | FLOW<br>GPM | VOLTS<br>60 Hz | MOTOR<br>HP | PUMP<br>RPM | LOAD<br>Amps | DIMENSIONS<br>L x W x H |
|--------|-------------|----------------|-------------|-------------|--------------|-------------------------|
| 60100K | 1.0         | 120            | 0.75        | 1725        | 10.4         | 24x15x13                |

Maximum pressure is 1000 PSI, normal operating pressure is 800-1000 PSI.

## RECOMMENDED MIN-MAX NOZZLE RANGE

|              | NOZZLES | NOZZLES | NOZZLES |
|--------------|---------|---------|---------|
| Nozzle Size  | .014    | .012    | .008    |
| Nozzle Range | 12-25   | 15-30   | 22-45   |

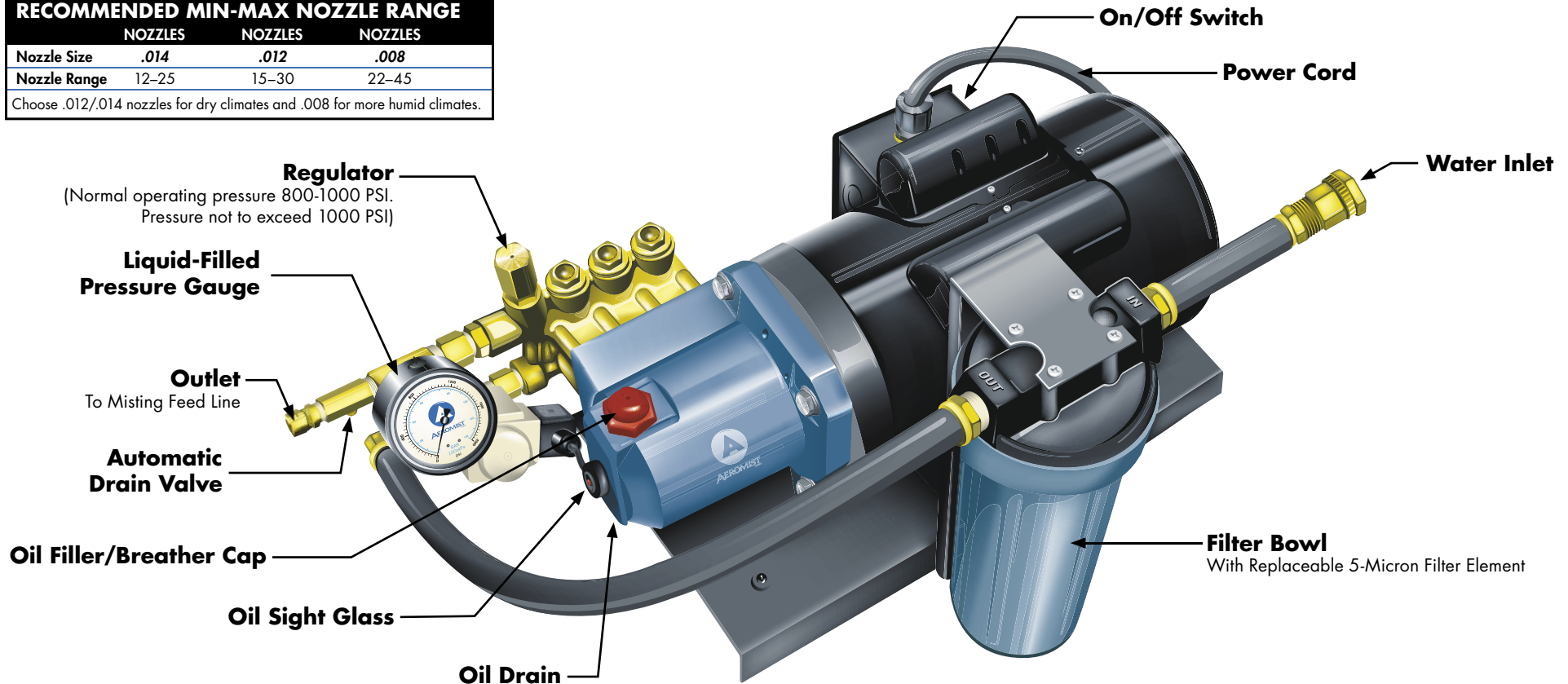
Choose .012/.014 nozzles for dry climates and .008 for more humid climates.

## INSTALLATION INSTRUCTIONS

- **WARNING: Before plugging in the unit for the first time, read the following section carefully. To reduce the risk of electric shock. Plug in supplied grounded cord into a properly grounded receptacle. When servicing this unit, unplug power cord before attempting any service or repairs.**
- Install pump above grade level on a pre-formed concrete pad, 16"x16" minimum size.
- Plug power cord of unit into a properly grounded receptacle.
- Connect water line to water inlet connector.
- Unit is pre-filled with oil and ready to run. Oil should be half full on the sight glass when unit is off. **Do not overfill.**
- On new misting systems, flush lines before installing nozzles. The pump will not build pressure until all nozzles are installed.
- **Do not exceed 1000 PSI and do not run pump without water.**
- Winter shutdown: Unplug pump power cord, shut off water supply, remove filter bowl and drain water. Also drain water out of all lines, to prevent damage to pump or lines.
- **25 feet or more of nylon tubing is recommended in order to reduce vibration noise.**

## ANNUAL MAINTENANCE INSTRUCTIONS

- Change oil every 500 hours of runtime or once a year. Use approved **Pump Oil (52025)**. Oil should be half full on the sight glass when unit is off. **Do not overfill.**
- Change Filter Element Annually



## Free Manuals Download Website

<http://myh66.com>

<http://usermanuals.us>

<http://www.somanuals.com>

<http://www.4manuals.cc>

<http://www.manual-lib.com>

<http://www.404manual.com>

<http://www.luxmanual.com>

<http://aubethermostatmanual.com>

Golf course search by state

<http://golfingnear.com>

Email search by domain

<http://emailbydomain.com>

Auto manuals search

<http://auto.somanuals.com>

TV manuals search

<http://tv.somanuals.com>