

LIMITED WARRANTY

Aero Mist, Inc. shall warrant the components of the Portable Mist Tower to be free of defects in workmanship for 3 years. Maintenance items are not warrantable including nozzles and filters. No warranty of merchantability or other warranty, expressed or implied, is made.

Liability for, and the exclusive remedy for, defective materials or workmanship, is limited to the replacement or repair of defective products. This warranty applies only to the original purchaser of the Portable Mist Tower and is not transferable. Any parts found to be defective will be replaced at no charge. All parts must be returned to Aero Mist, Inc. freight pre-paid by customer, and will be returned to customer by Aero Mist, Inc., freight collect.

This warranty specifically excludes the following: Failure of parts due to damage by accident, fire, freezing, chemicals, or unusual characteristics of water supply, such as mineral and calcium buildup.

This warranty covers parts only. Any costs incurred due to replacement or repair is the responsibility of the buyer and not covered under warranty.

PORTABLE MISTING TOWER

MODEL 52430 PATENT PENDING

INSTALLATION INSTRUCTIONS



AEROMIST
.COM

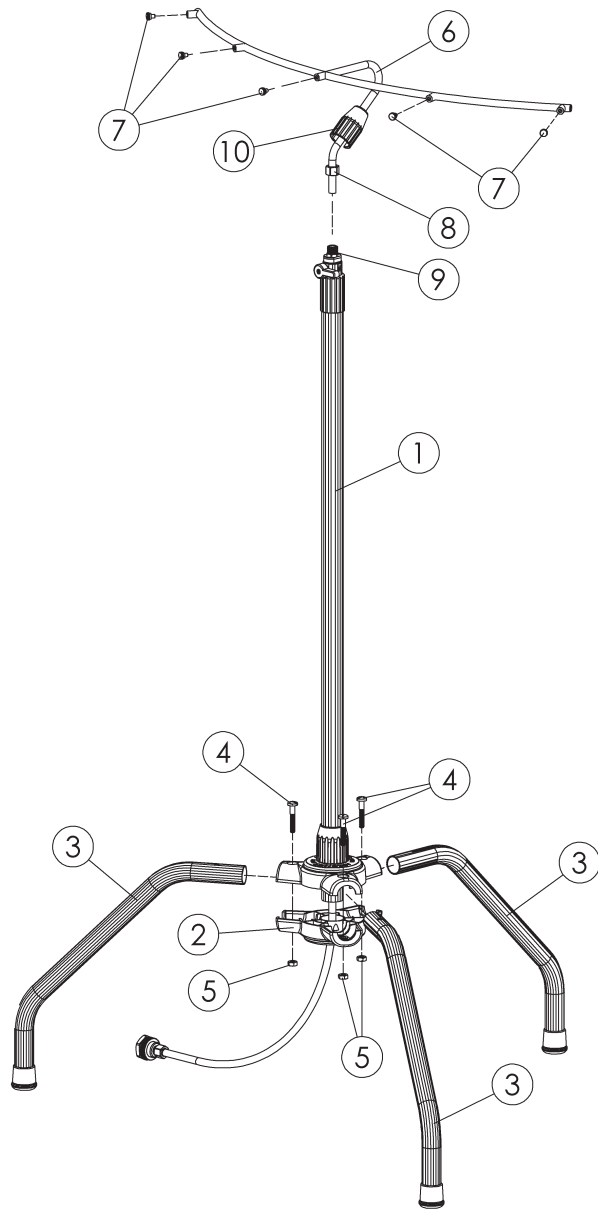
23610 N 20th Dr, Ste 6, Phoenix, AZ 85085

(623) 444-5121

www.aeromist.com



AEROMIST
.COM



TOOLS REQUIRED

Phillips Screwdriver

5/8" Open-End or Adjustable Wrench

3/4" Open-End Wrench

LIST OF ALL ENCLOSED PARTS

QTY	PART #	DESCRIPTION
1	1	Main Tubing Assembly
1	2	Star Lower Half
3	3	Leg Tubing
3	4	1/4 - 20 x 1 1/2" Bolt
3	5	1/4 - 20 Nut
1	6	Spray Bar
5	7	.014 Misting Nozzle
1	8	Compression Nut
1	9	Ball Valve
1	10	Upper Boot

INSTALLATION INSTRUCTIONS

1. Remove contents from box.
2. **Insert Leg Tubing** (#3) between upper and **Lower Star** (#2). Secure together with **Phillips Head Bolt** (#4) and **1/4-20 Nut** (#5). Leave the bolts loose at this time so the other legs can be inserted. Once all leg tubes are secured, and then tighten bolts with Phillips head screwdriver.
3. Insert **Stainless Steel Spray Bar** (#6) into **Ball Valve** (#9), Tighten **Compression Nut** (#8) with 5/8" open end wrench. Use a 3/4" open end wrench on **Ball Valve** (#9) as back up wrench. Secure **Upper Boot** (#10) over **Ball Valve** (#9).
4. Hook up garden hose and flush for 20 seconds. Shut water off using Ball Valve located on upper pole.
5. Install (5) **.014 Misting Nozzles** (#7) into threaded hole on Spray Bar (hand tighten only). You are now ready to enjoy your Portable Misting Tower.
6. Twist upper pole counterclockwise to raise or lower for desired height.

MAINTENANCE

- Clean or replace nozzles as needed.
- Keep garden hose screen clean.

CAUTION! Misting system is intended for outdoor use only.

- Use potable water/fresh water only.
- Shut off garden hose when not in use

OPTIONAL ACCESSORIES

PART #	DESCRIPTION
52505	Inline Sediment Filter
52014	.014 Misting Nozzle
26105	Hose Y Valve
Please visit www.aeromist.com for additional parts and accessories.	

Free Manuals Download Website

<http://myh66.com>

<http://usermanuals.us>

<http://www.somanuals.com>

<http://www.4manuals.cc>

<http://www.manual-lib.com>

<http://www.404manual.com>

<http://www.luxmanual.com>

<http://aubethermostatmanual.com>

Golf course search by state

<http://golfingnear.com>

Email search by domain

<http://emailbydomain.com>

Auto manuals search

<http://auto.somanuals.com>

TV manuals search

<http://tv.somanuals.com>