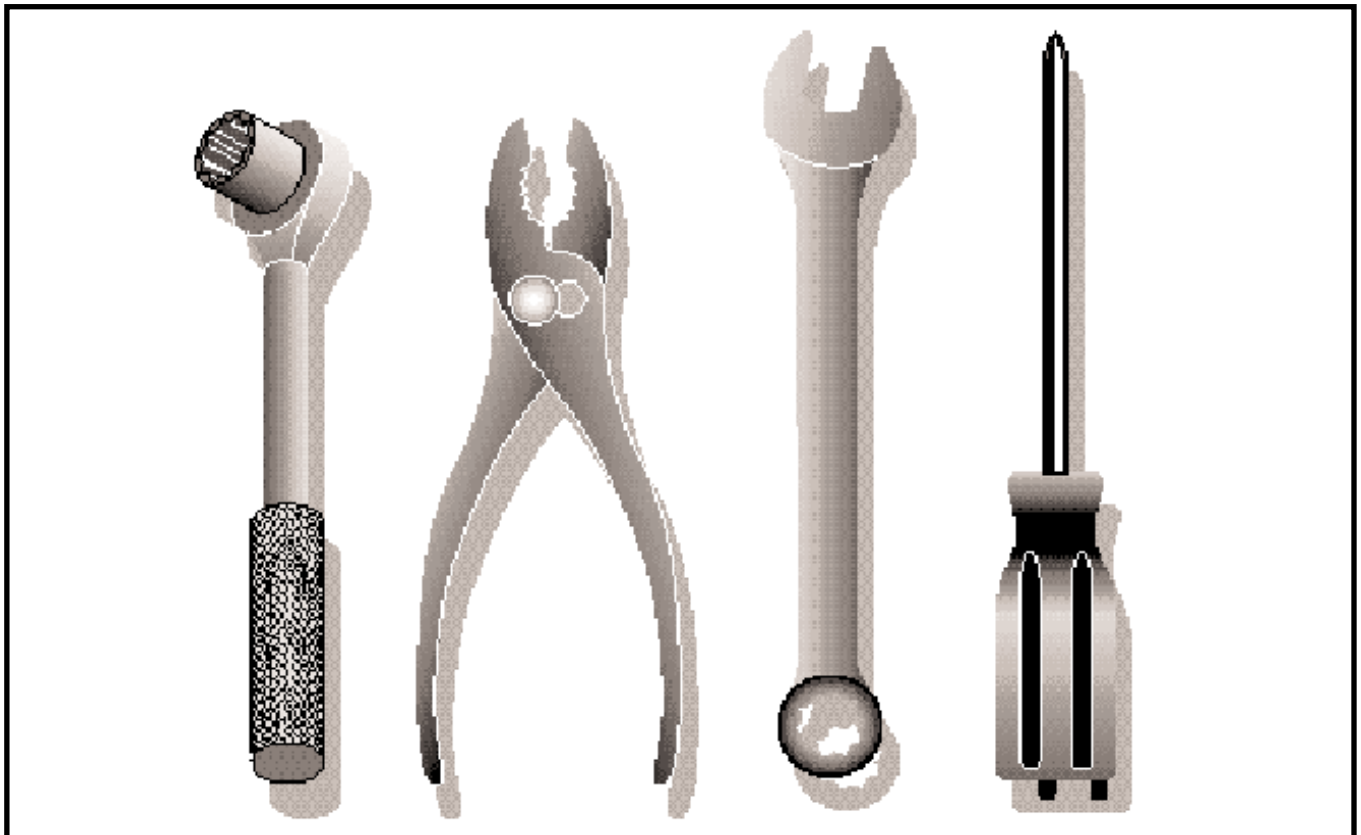


531 30 71-70

Snow Cab (45-0402)



Illustrated Parts List



OWNERS MANUAL

**Model No.
45-0402**



TRACTOR SNOW CAB

CAUTION:
Read Rules for
Safe Operation
and Instructions
Carefully

- **Safety**
- **Assembly**
- **Operating**
- **Maintenance**
- **Repair Parts**

SpeedPart *the fastest way to purchase parts* www.speedpart.com

SAFETY RULES

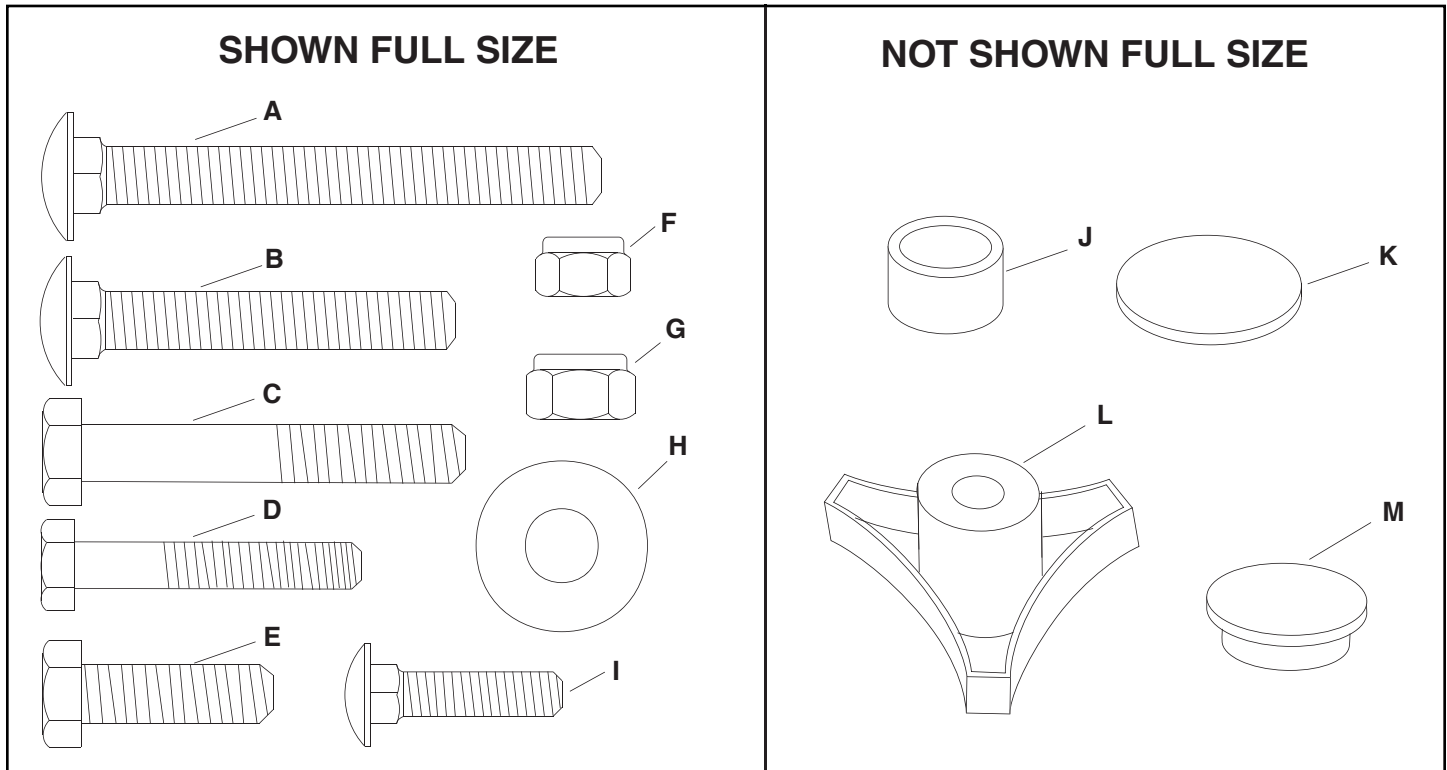
Remember, any power equipment can cause injury if operated improperly or if the user does not understand how to operate the equipment. Exercise caution at all times when using power equipment.

- This cab provides foul weather protection only. It does not provide protection against exhaust fumes, collision, rollover or other accidents.
- Read the snow cab and vehicle owner's manuals and know how to operate your vehicle before using the snow cab attachment.
- Be sure there is adequate ventilation when using the tractor and snow cab in confined areas.
- The snow cab will restrict your field of vision in some directions. Use extra caution when operating your tractor with the snow cab attached.
- Watch out for low tree limbs or other overhead obstructions that may not previously have interfered with operation of the tractor. The extra height of the snow cab may cause these objects to become obstacles.
- Check the area of operation thoroughly before using the tractor.



LOOK FOR THIS SYMBOL TO POINT OUT IMPORTANT SAFETY PRECAUTIONS. IT MEANS — ATTENTION!! BECOME ALERT!! YOUR SAFETY IS INVOLVED.

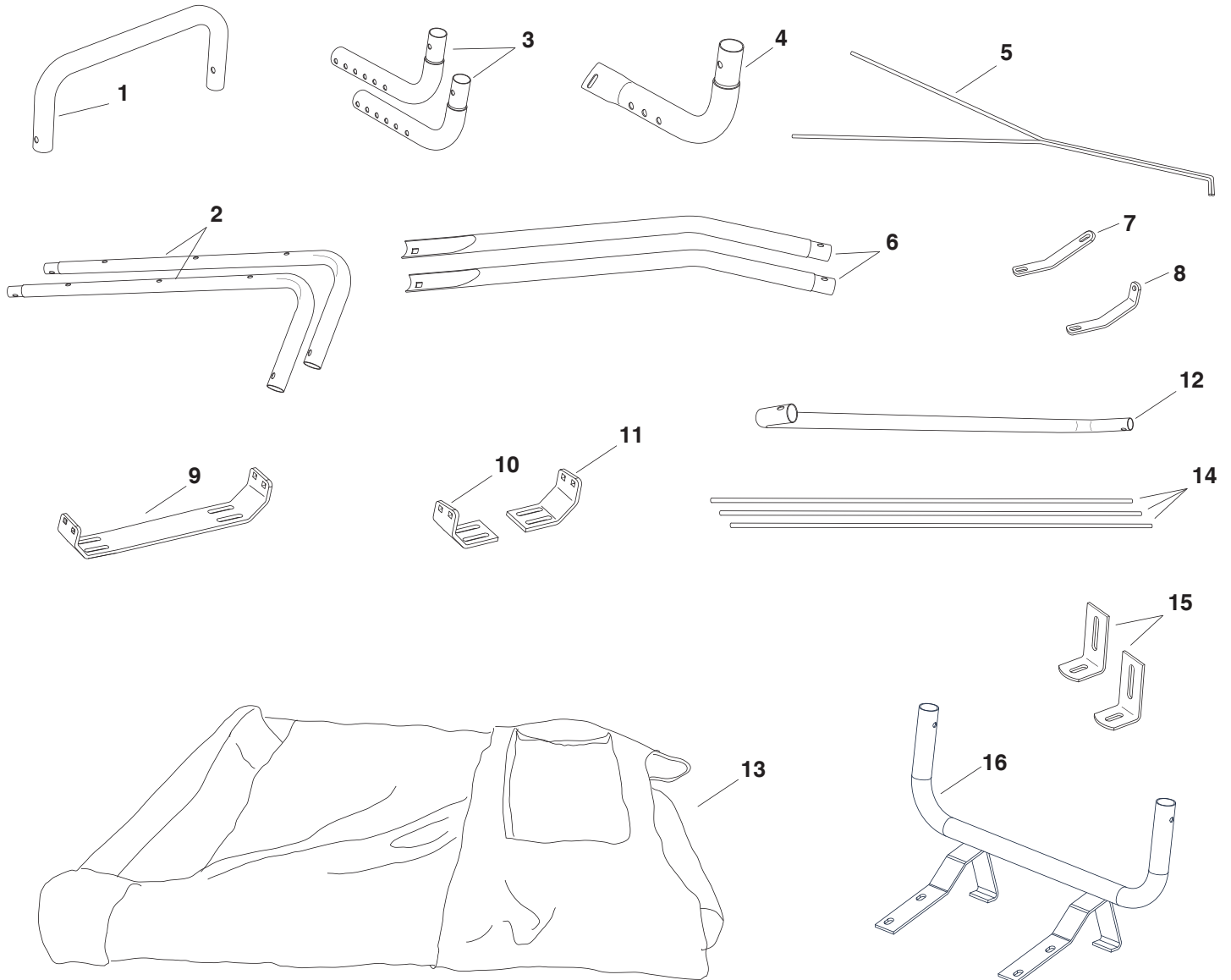
HARDWARE PACK



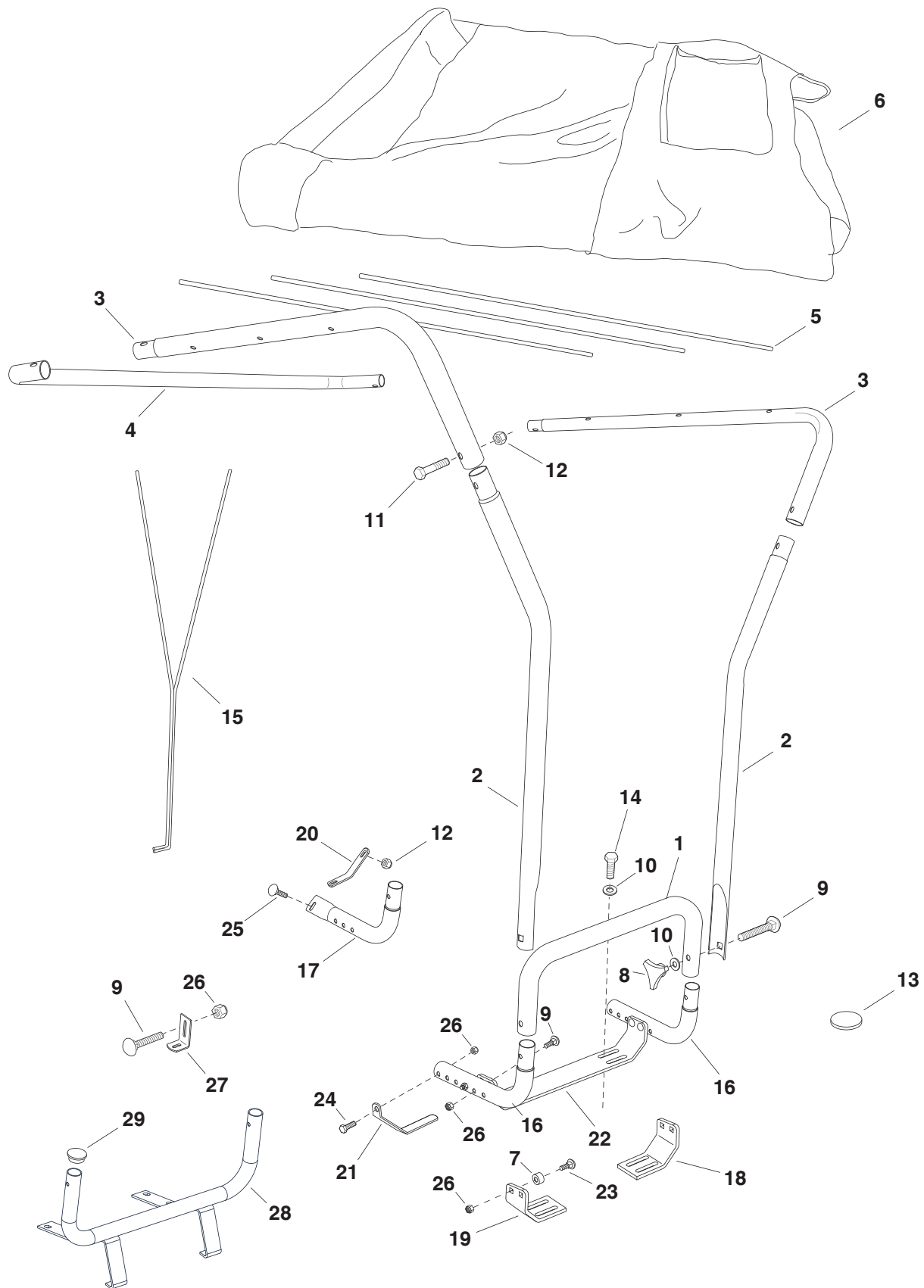
REF.	QTY.	DESCRIPTION	REF.	QTY.	DESCRIPTION
A	4	Carriage Bolt, 5/16" x 2-3/4"	G	6	Nylock Nut, 5/16"
B	6	Carriage Bolt, 5/16" x 2"	H	4	Flat Washer, 5/16"
C	1	Hex Bolt, 5/16" x 2"	I	1	Carriage Bolt, 1/4" x 1"
D	4	Hex Bolt, 1/4" x 1-1/2"	J	4	Spacer
E	2	Hex Bolt, 5/16" x 1"	K	4	Adhesive Pad
F	5	Nylock Nut, 1/4"	L	2	Plastic Knob
			M	2	Plastic Cap (for Husqvarna tractors)

CARTON CONTENTS

1. Upper base tube
2. Top Tubes (2)
3. Base Leg Tubes (2)
4. Base Leg Tube (Flattened)
5. Front Brace Rod
6. Upright Tubes (2)
7. Right Support Bracket
8. Left Support Bracket
9. Base Bracket
10. Left Base Bracket
11. Right Base Bracket (stamped with R)
12. U-Tube
13. Vinyl Canopy
14. Support Rods (3)
15. Rear Support Brackets (2)
16. Base Bracket Assembly



REPAIR PARTS FOR MODEL 45-0402 SNOW CAB



REPAIR PARTS FOR MODEL 45-0402 SNOW CAB

REF. NO.	PART NO.	QTY.	DESCRIPTION	REF. NO.	PART NO.	QTY.	DESCRIPTION
1	49242	1	Upper Base Tube	16	49325	2	Base Leg Tube
2	25014	2	Upright Tube	17	40003	1	Base Leg Tube, Flattened
3	25013	2	Top Tube	18	25302	1	Right Base Bracket
4	25012	1	U-Tube	19	25303	1	Left Base Bracket
5	25015	3	Support Rod	20	25835	1	Right Support Bracket
6	40122	1	Vinyl Canopy	21	25794	1	Left Support Bracket
7	23658	4	Spacer	22	25793	1	Base Bracket
8	43720	2	Plastic Knob	23	46594	4	Carriage Bolt, 5/16-18 x 2-3/4"
9	44977	6	Carriage Bolt, 5/16-18 x 2"	24	44180	1	Hex Bolt, 5/16-18 x 2"
10	43081	4	Flat Washer, 5/16"	25	43176	1	Carriage Bolt, 1/4-20 x 1"
11	43648	4	Hex Bolt, 1/4-20 x 1-1/2"	26	47810	6	Nylock Nut, 5/16-18
12	47189	5	Nylock Nut, 1/4-20	27	25304	2	Rear Support Bracket
13	48661	4	Adhesive Pad	28	65535	1	Base Bracket Assembly
14	43063	2	Hex Bolt, 5/16-18 x 1"	29	47674	2	Plastic Cap
15	25795	1	Front Brace Rod		40123	1	Owner's Manual

SpeedPart *the fastest way to purchase parts* www.speedpart.com

SpeedPart *the fastest way to purchase parts* www.speedepart.com

REPAIR PARTS

Agri-Fab, Inc.
809 South Hamilton
Sullivan, IL. 61951
217-728-8388
www.agri-fab.com

Free Manuals Download Website

<http://myh66.com>

<http://usermanuals.us>

<http://www.somanuals.com>

<http://www.4manuals.cc>

<http://www.manual-lib.com>

<http://www.404manual.com>

<http://www.luxmanual.com>

<http://aubethermostatmanual.com>

Golf course search by state

<http://golfingnear.com>

Email search by domain

<http://emailbydomain.com>

Auto manuals search

<http://auto.somanuals.com>

TV manuals search

<http://tv.somanuals.com>