

VIDEO SENTRY PanTilt VIDEO ENTRY SECURITY SYSTEM

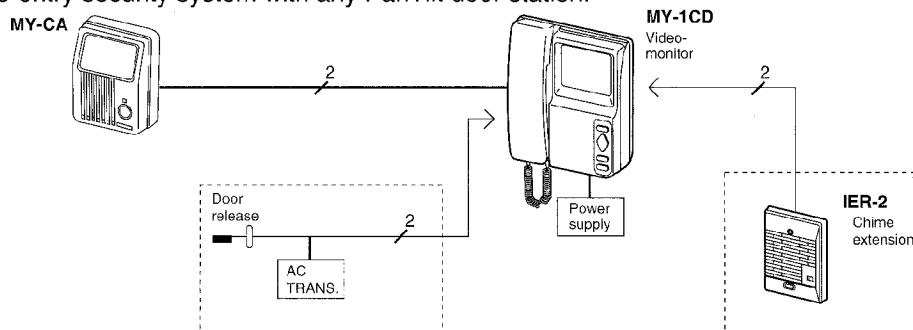
Model; **MY-1CD**

INSTALLATION & OPERATION MANUAL

1 SYSTEM OUTLINE & FEATURES

SYSTEM LAYOUT EXAMPLE

MY-1CD is a video-monitor, with Aiphone's exclusive Pan-and-Tilt control pad. Can make one-entry security system with any PanTilt door station.



FEATURES

Basic 1 monitor to 1 door entry security system, with capability of pan-and-tilting door camera.

- ☆ Uses a parallel 2-conductor cable
- ☆ Use with surface MY-CA or MY-DC (DG), semi-flush.
- ☆ Sharp and clear image on 4" direct view flat screen
- ☆ Monitor button activates door camera for entry checking

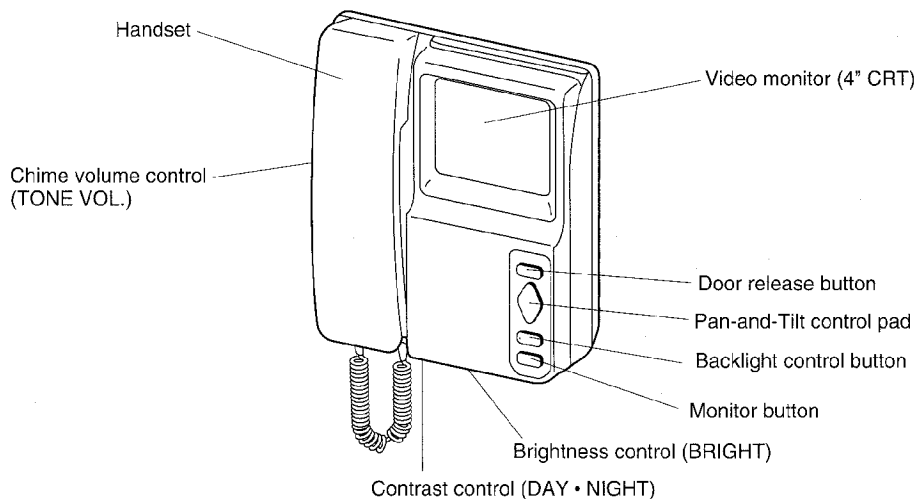
Additional features

- ☆ MY-CA mounts porch light high in MYW-CA overhead camera enclosure. Use with IF-DA door station
- ☆ Long distance application with MYW-BA long-distance adaptor (max. 300m w/1.2mm dia.)

Check with the package contents;

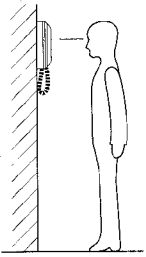
- Video-monitor (MY-1CD)
- Mounting bracket
- Stand & screw (2) (desk use)
- Screws-pack
- Installation & Operation Manual

2 NAMES AND FUNCTIONS



3 INSTRUCTIONS ON INSTALLATION & WIRING

MY-1CD video-monitor



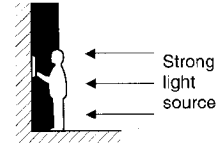
MY-1CD are designed for indoor use only. Do not mount the video-monitor in the following places as it may cause the system to malfunction;

- High temperature areas, or near equipment that varies in temperature.
- Extreme cold temperature areas
- Places subject to moisture or humidity extremes.

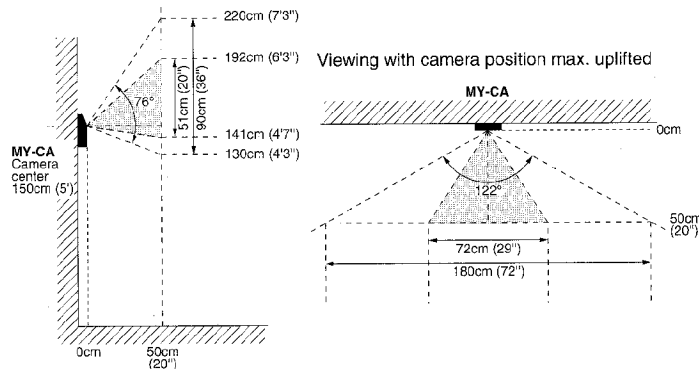
Mount the video-monitor so that the center of monitor screen comes to the eye level of the user.

PanTilt door station

MY PanTilt door station employs CCD camera system and the performance can be affected by bright direct light: strong sunlight, gate light, or street or porch light which come directly into the camera lens.



As shown, the image viewing area can be expanded by activating door station camera. The MY-CA door station may be used as overhead camera, by placing inside the MYW-CA enclosure.



: Shows viewing area of horizontal camera position.

Pantilt camera vision at 50 cm (20") distance
(vertical x horizontal)

Camera	Horizontal Viewing	Pantilt viewing
MY-CA	51cm x 72cm 20" x 29"	90cm x 110~180cm 36" x 43"~72"
MY-DC MY-DG	49cm x 66cm 19" x 26"	90cm x 180cm 36" x 72"

- MY-CA in MYW-CA, downviews the area of 4.7m vert. x 8.4m horiz. (16' x 28') max. from 3 m (10') distance above.

On bottom of Pantilt door back case, cable inlet holes are provided. Do not apply the back case with caulking seals, etc. Rainwater may pass through these holes.

Call extension

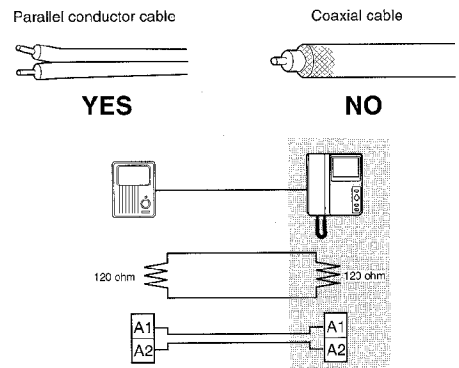
One IER-2 speaker can be added to sound a chime tone in a remote location. Connect non-polarized wires from SG, – terminal on MY-1CD.

Wiring Precautions

Use a single pair (parallel) cable. Coaxial cable or 2 separate wires can not be used.

When existing doorbell or chime wires must be used, locate and disconnect the bell transformer from the wires. Extra pair (s) in the installed cable to video door station can affect the image quality, and must be terminated with a 120 ohm resistor at each end of wires on both video door station and video monitor (s).

Taking SG terminal on MY-1CD to earth may help, if noise exists in communication.



4 WALL-MOUNTING

MY-1CD video-monitor is supplied with wall-mounting bracket, which is attached on back of unit.

Wall-mounting

Attach mounting bracket to single gang box or to wall surface. Terminate wire on A1, A2 terminals. Then, connect DC 18V wires from power supply. Insert the prongs of the bracket, into the holes of the MY-1CD, aligning at the marks. Pull the unit downward until it locks.

Placing on desk-top

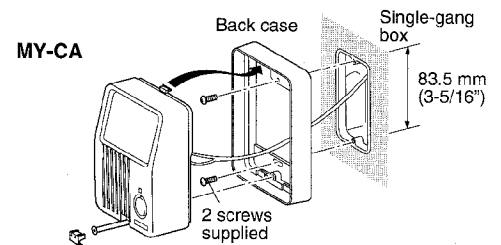
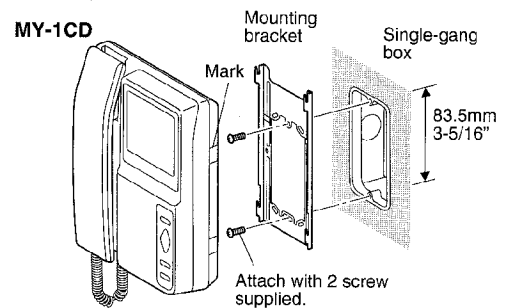
The low-height base support is supplied with screws. Install the cable not too tensely and in non-tripping manner.

Power supply

Locate the power supply within a convenient distance to an AC outlet. Mounting bracket and screws are supplied.

PanTilt door stations

Any PanTilt door station may be used with MY-1CD one-room monitor. MY-DC or MY-DG semi-flush mounts on 3-gang box (92mm, 3-5/8" pitch). MY-CA surface-mounts on single-gang box (83.5mm, 3-5/16" pitch).



MY-CA Camera Angle Setting

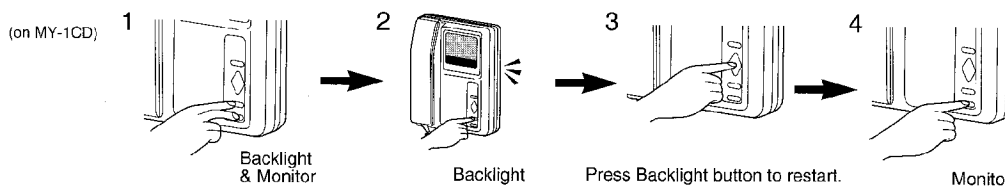
MY-CA camera returns to center position at start of next operation. The camera angle can be reprogrammed to a direction matching to the site.

Turn on video monitor. About after 10 seconds, press both Monitor & Backlight buttons.

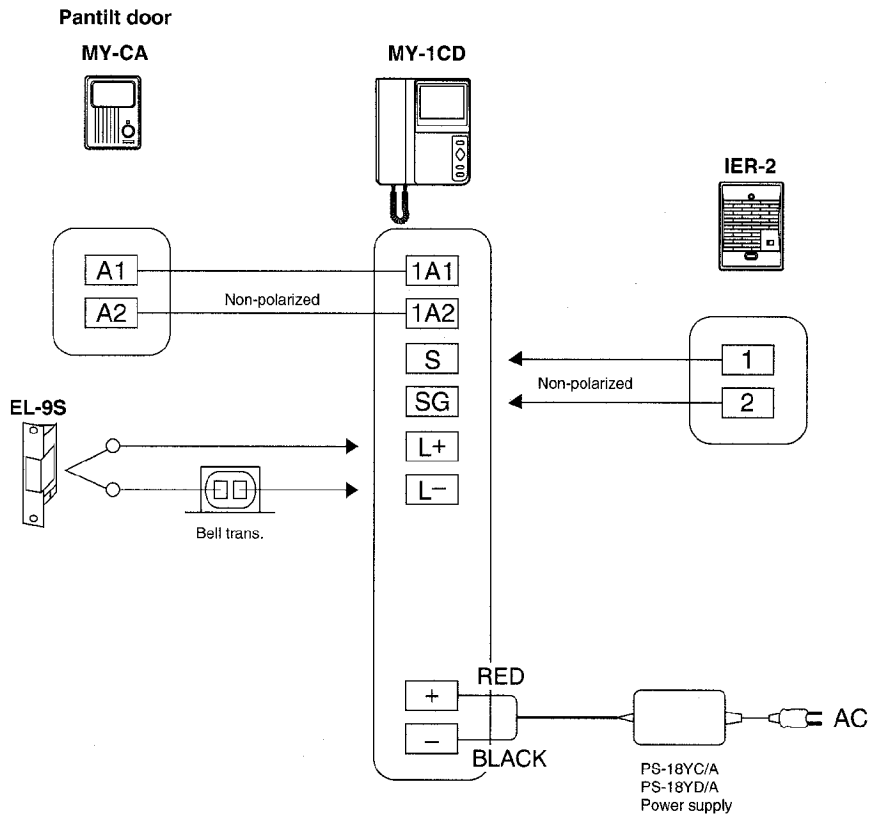
Releasing from Monitor button, keep depressing Backlight button. Approx. 5 seconds after, the bottom 1/4 of the screen starts flashing. Then, release Backlight button.

Operate Pan-and-Tilt control pad to move the camera to desired position.

Lastly, press Monitor button.



5 WIRING



MY-1CD can be powered by a power supply PS-18YC/A (AC 120V) or PS-18YD/A (AC 220-240V). When PS-18YC or PS-18YD is used, plug in to DC receptacle provided on back of MY-1CD.

Wiring

Install 2 nonpolarized parallel conductors. When existing cable installation is used, check if the image is clear and unaffected, before actually mounting the unit.

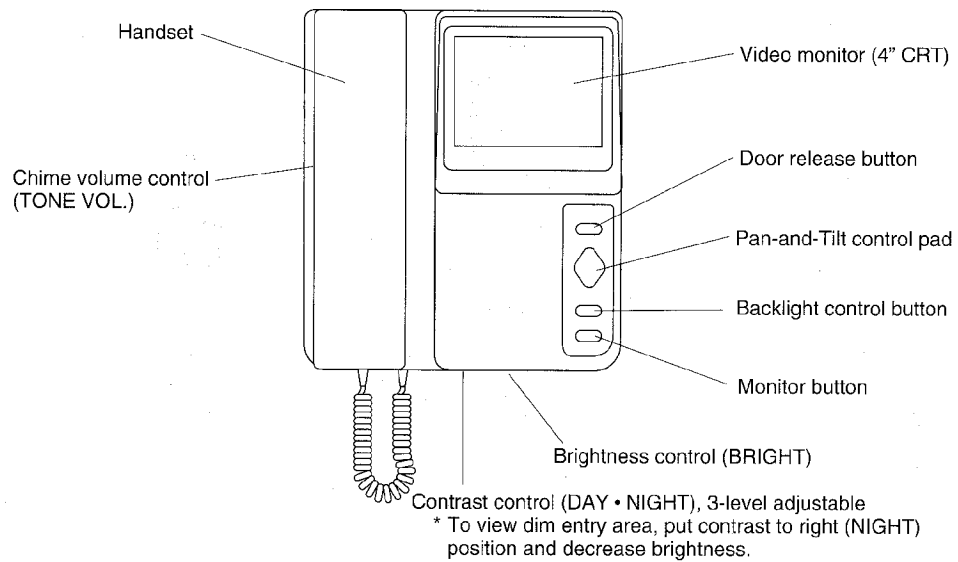
Wiring distance

MY-1CD to PanTilt door station;

Diameter	0.65mm	1.0mm
Distance	50m	100m

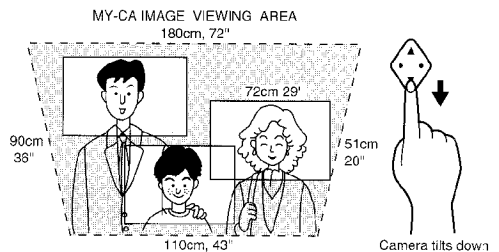
AWG	22AWG	18AWG
Distance	165'	330'

6 OPERATIONS on MY-1CD



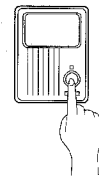
Pan-and-Tilting the door camera

MY-1CD monitor station is equipped with Aiphone's exclusive Pan-and-Tilt control pad. When you received a door station call or monitor the entry, operate to move the camera up to down, side to side. PanTilt door station employs infrared CCD camera, which transmits image of entry in less than 1 Lux of light. At this time, press **Backlight** control button to identifiably add more contrast to the image.



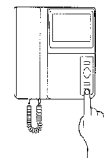
Door answering

When Call button is momentarily pressed at PanTilt door station, chime tone sounds in 4-stroke, and image of a caller is on the monitor. Use Pan-and-Tilt touch-key control pad to locate a caller in the center of monitor. When door release is included; After verifying a caller, press and hold down door release (key-mark) button.



Video monitoring (for approx. 2-1/2 minutes)

Press Monitor button, which activates the door camera, seeing the image of entry. Press Monitor button again to turn off the monitor.



Other Operations

- ★ A door station call-in is held with a image on MY-1CD monitor for approx. 45 seconds.
- ★ Monitor audibly and visually PanTilt door station by picking up the handset on the MY-1CD.

7 BEFORE ASKING FOR REPAIR

- ★ In case the system does not provide a satisfactory performance, check possible causes, such as; Unplugged? Disconnected wire? Shorted wire? If you still cannot find the cause, consult the dealer or distributor that you purchased the product from.
- ★ Do not attempt to open front case of MY-1CD, without first unplugging power supply. High voltage is present on the monitor unit inside.
- ★ Refrain from spraying water at the door station directly, regardless that the unit is designed to be weather-resistant.
- ★ Clean your MY-1CD equipment by a soft cloth dampened with neutral household cleanser.
- ★ When the temperature outside lowers rapidly (after rain, etc.), the camera lens may be fogged and offer a dim image at the video monitor. This is not a malfunction, and will return to normal shortly.

8 SPECIFICATIONS

Power source	MY-1CD; DC 18V. Use a power supply PS-18YC/A (AC 120V) or PS-18YD/A (AC220-240V).
Consumption	0.9A max. 0.04A (standby)
Communication	Simultaneous with handset
Calling	
Call button on door station or Monitor button on room monitor station activates door camera, and projects infrared up to 50 cm (20") on MY-CA.	
Call tone	Electronic chime tone, 4-stroke, adjustable
Video monitor	4" direct view flat CRT
Scanning line	525 lines
Dimensions (H x W x D)	210 x 186 x 57.5 (mm). 8-1/4" x 7-5/16" x 2-1/4".
Weight:	1,100g (2.43 lbs.) approx.

This equipment has been tested and found to comply with the limits for a Class B digital device, pursuant to Part 15 of the FCC Rules. These limits are designed to provide reasonable protection against harmful interference in a residential installation. This equipment generates, uses, and can radiate radio frequency energy and, if not installed and used in accordance with the instructions, may cause harmful interference to radio communications. However, there is no guarantee that interference will not occur in a particular installation. If this equipment does cause harmful interference to radio or television reception, which can be determined by turning the equipment off and on, the user is encouraged to try to correct the interference by one or more of the following measures:

- Reorient or relocate the receiving antenna.
- Connect the equipment into an outlet on a circuit different from that to which the receiver is connected.
- Increase the separation between the equipment and receiver.
- Consult the dealer or an experienced radio/TV technician for help.

WARRANTY

Aiphone warrants its products to be free from defects of material and workmanship under normal use and service for a period of one year after delivery to the ultimate user and will repair free of charge or replace at no charge, should it become defective upon which examination shall disclose to be defective and under warranty. Aiphone reserves unto itself the sole right to make the final decision whether there is a defect in materials and/or workmanship; and whether or not the product is within the warranty.

This warranty shall not apply to any Aiphone product which has been subject to misuse, neglect, accident, or to use in violation of instructions furnished, nor extended to units which have been repaired or altered outside of the factory. This warranty does not cover batteries or damage caused by batteries used in connection with the product.

This warranty covers bench repairs only, and any repairs must be made at the shop or place designated in writing by Aiphone.

Aiphone will not be responsible for any costs incurred involving on site service calls.

Aiphone Co., Ltd., Nagoya, Japan
Aiphone Corporation, Bellevue, WA, USA

MY-1CD-I(E)0994K

COMMUNICATION SYSTEMS
 **AIPHONE**
HOME, BUSINESS, INDUSTRY.
Printed in Japan (E)

Free Manuals Download Website

<http://myh66.com>

<http://usermanuals.us>

<http://www.somanuals.com>

<http://www.4manuals.cc>

<http://www.manual-lib.com>

<http://www.404manual.com>

<http://www.luxmanual.com>

<http://aubethermostatmanual.com>

Golf course search by state

<http://golfingnear.com>

Email search by domain

<http://emailbydomain.com>

Auto manuals search

<http://auto.somanuals.com>

TV manuals search

<http://tv.somanuals.com>