

# NH-1SA-AC                      NH-2SA-AC

## Patient Stations

**Single and Dual Patient Stations for All Call,  
and when sharing a common Corridor Lamp**

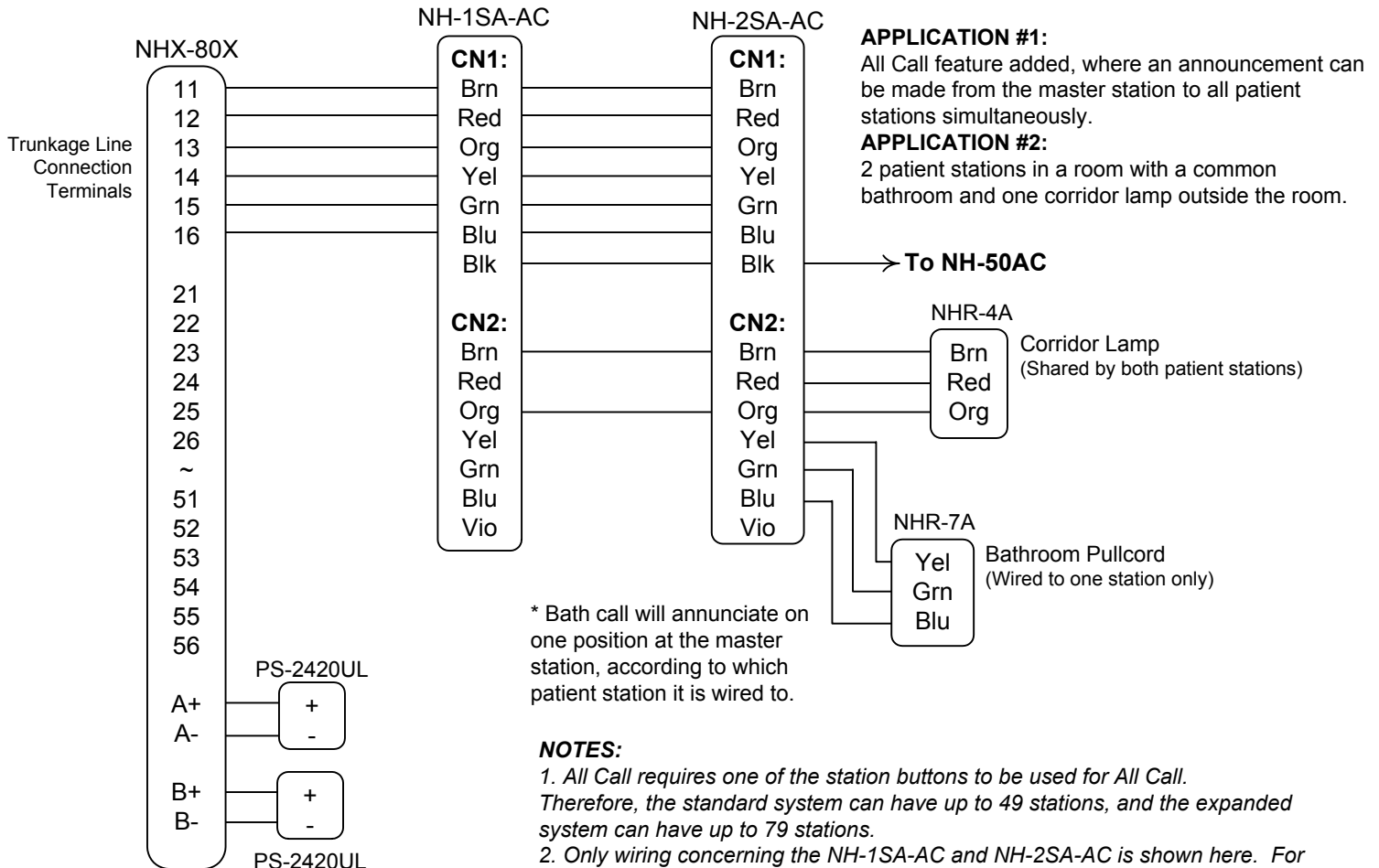
### - INSTRUCTIONS -

Some applications for Nurse Call systems require All Call. By including the NH-50AC adaptor and the "AC" model patient stations, a station button on the master can be used to call all of the patient stations simultaneously. An additional wire is required to each patient station. In addition, if there is more than one patient station sharing a corridor lamp, this model patient station will allow that configuration to be used.

**NOTE:** An NHX system installed with an NH-1SA-AC or NH-2SA-AC included does not carry the UL 1069 listing.

### WIRING DIAGRAM:

Two Patient Stations in one room sharing a bathroom and corridor lamp



**APPLICATION #1:**  
All Call feature added, where an announcement can be made from the master station to all patient stations simultaneously.

**APPLICATION #2:**  
2 patient stations in a room with a common bathroom and one corridor lamp outside the room.

\* Bath call will annunciate on one position at the master station, according to which patient station it is wired to.

**NOTES:**

1. All Call requires one of the station buttons to be used for All Call. Therefore, the standard system can have up to 49 stations, and the expanded system can have up to 79 stations.
2. Only wiring concerning the NH-1SA-AC and NH-2SA-AC is shown here. For complete installation and wiring information, please see the NHX Installation instructions.

**WIRING:**

1. Follow the wiring diagram on front page of these instructions.
2. Connect the corridor lamp wires (Brn, Red, Org) to the same colored wires on CN2 of BOTH the patient stations in the room. Otherwise, the corridor lamp will not light up when either patient station places a call.
3. Connect the bathroom station (Yel, Grn, Blu) to the same colored wires on CN2 of JUST ONE of the patient stations in the room. The bath station for that room will annunciate on the same position at the master as the station it is wired to.
4. If All Call is not included, do not connect the BLK wire from the patient station.
5. If a Zone Light (NHR-3A-4) is not included in the system, do not connect the VIO wire on CN2.

**OPERATION:**

1. A call from any of the the handheld call buttons on either station in the room will light on the master station, and the corridor lamp will light the white lamp steadily.
2. A call from the bath station will light on the master at the station it is wired to, and will flash the corresponding corridor lamp's red bulb. Bathroom switch must be moved upward to reset the call.
3. A cord-out call from any station in the room will flash the white bulb. Cord must be reinstalled in the jack to cancel the call.

**TOLL FREE TECHNICAL SUPPORT:**

(800) 692-0200  
Extensions 8107, 8118, 8111, 8125

**TOLL FREE FAX LINE:**

(800) 832-3765

## Free Manuals Download Website

<http://myh66.com>

<http://usermanuals.us>

<http://www.somanuals.com>

<http://www.4manuals.cc>

<http://www.manual-lib.com>

<http://www.404manual.com>

<http://www.luxmanual.com>

<http://aubethermostatmanual.com>

Golf course search by state

<http://golfingnear.com>

Email search by domain

<http://emailbydomain.com>

Auto manuals search

<http://auto.somanuals.com>

TV manuals search

<http://tv.somanuals.com>