

## JF-DVF-XP

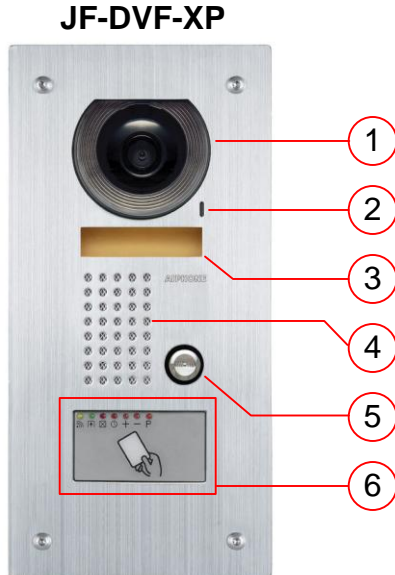
### Video Door Station with Standalone Prox Reader

#### - INSTRUCTIONS -

The JF-DVF-XP is a color audio-video door station for Aiphone's JF-series, containing a standalone proximity card reader with embedded host controller. Capable of storing up to 5,000 sets of credentials (cards) and operating completely independent of an external host controller or PC, the JF-DVF-XP is ideal for all installations where reliable, inexpensive and easy-to-manage access control is desired.

**Note:** Programming of the JF-DVF-XP **requires** Aiphone's XP-KIT Programming Starter Kit for -XP series standalone proximity card readers.

## 1 NAMES & FEATURES



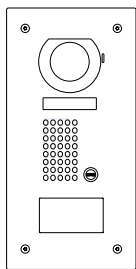
#### NAMES & FUNCTIONS:

- |                 |  |
|-----------------|--|
| 1. Camera       | 4. Speaker                             |
| 2. Microphone   | 5. Call button                         |
| 3. Name placard | 6. Standalone Prox Reader / Controller |

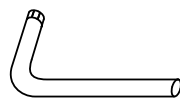
#### FEATURES:

- Up to 5,000 credential storage (cards)
- Standalone configuration without central 'Host' or personal computer
- Night Lock function with contact output for controlling after hours access and alarm system mode
- Forced Entry alarm output for triggering external sounder or alarm system
- Optional handheld Remote Programmer for advanced functionality

#### PACKAGE CONTENTS:



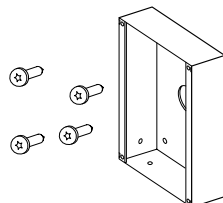
JF-DVF-XP  
Vandal-resistant Door Station



Security Driver



Blank name placard



Semi-flush backbox & tamper-resistant bolts

#### OPTIONAL ACCESSORIES:

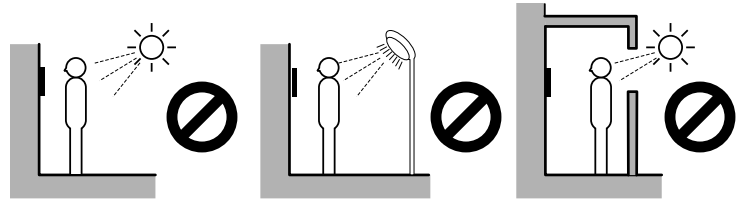
- **SBX-DVF-P** – Surface-mount stainless steel backbox
- **XC5T/9** – Blank User Card (Qty. 1)
- **XRP3** – Handheld Remote Programmer
- **XP-KIT** – Programming Starter Kit, contains:
  - XRP3 – Qty (1)
  - XC5T/9 – Qty (10)
  - XMMC3/9 – Qty (1)

**(Note: XP-KIT is required for programming of the JF-DVF-XP!)**

## 2 MOUNTING & INSTALLATION

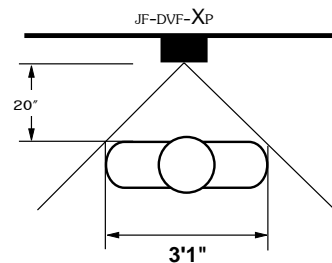
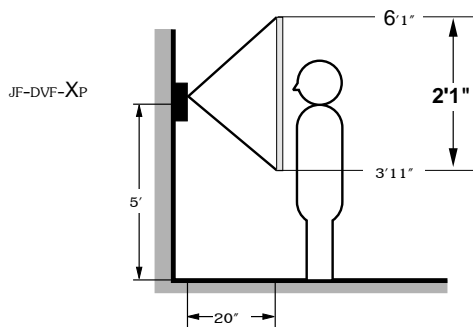
### Installation Location:

Care should be taken when choosing the best location for mounting the JF-DVF-XP. Do not install the video door station in any areas subject to direct sunlight or other strong direct lighting conditions; installation in such locations may cause reduced visibility and/or video quality while viewing from the master station.



### Mounting Height & Viewing Angle:

Because the JF-DVF-XP contains a fixed-angle camera element, mounting height and placement relative to the entry should be taken into consideration. The recommended mounting height and corresponding viewing angle are depicted below.



### Physical Mounting Instructions:

1. **JF-DVF-XP** – provide wall surface opening for rough-in backbox (supplied), using dimensions shown (Fig. 1). Note: if surface mount is required, use the Aiphone SBX-DVF-P (sold separately) .
2. Connect the 2 conductor wire to terminals A1 and A2 on back of unit.
3. **JF-DVF-XP** – Secure the door station to the backbox using the included security screws / driver (Fig. 1).

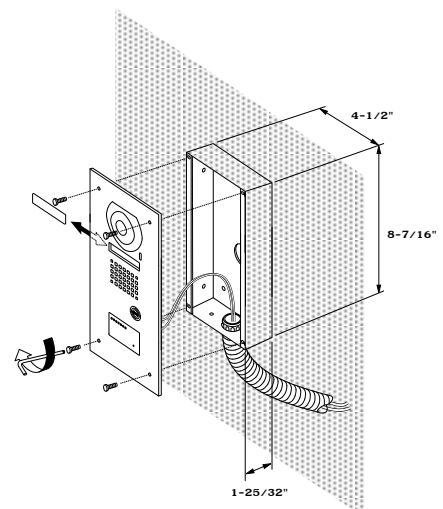
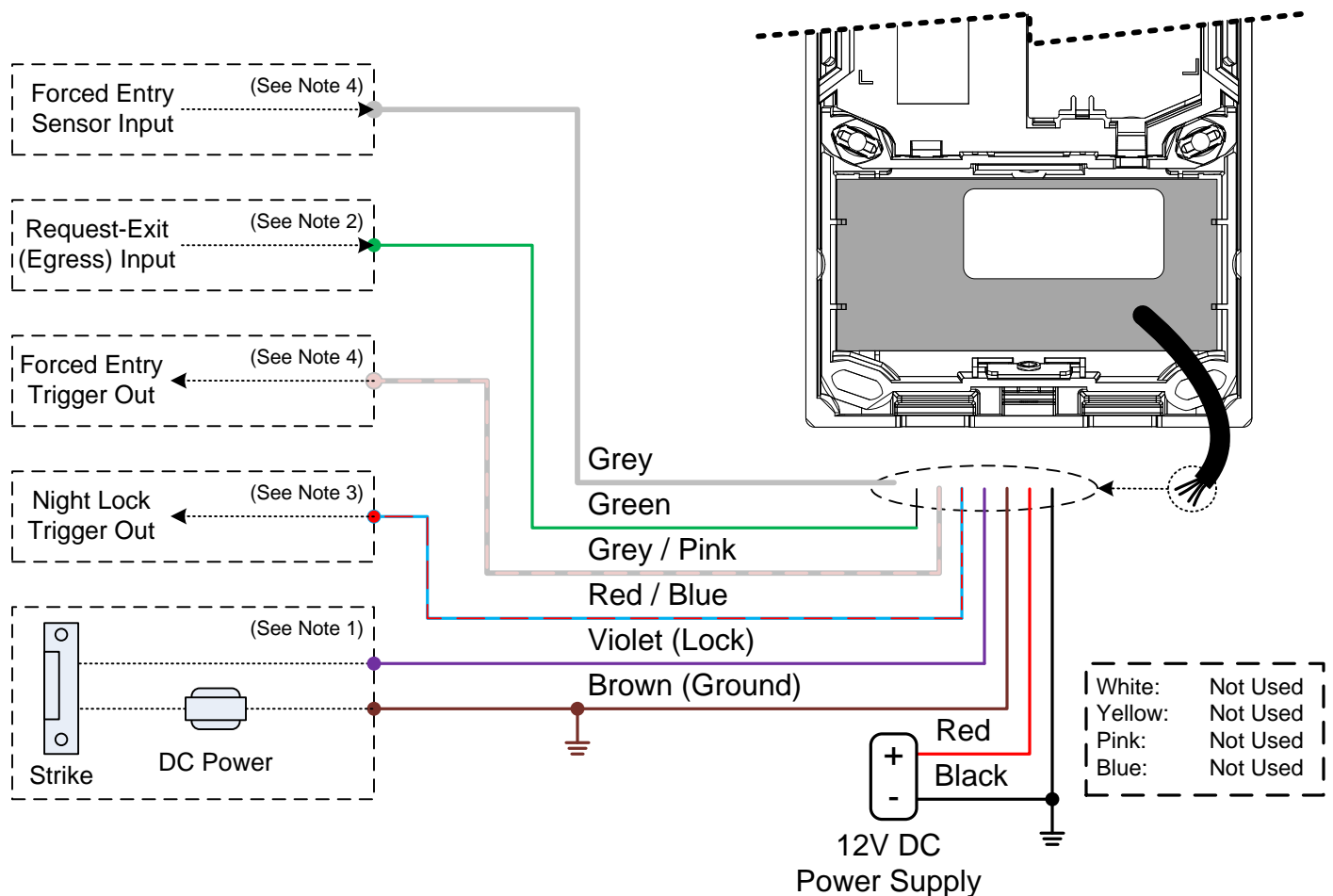


Figure 1

# 3 WIRING



## NOTES:

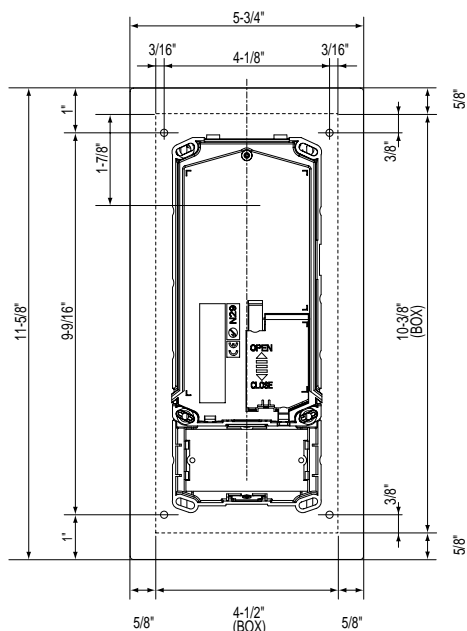
1. The 'Lock' output (Violet wire) is a normally-open solid-state contact rated at 30VDC / 1A. Only DC-powered locks can be connected directly to the reader. Locks requiring AC power, higher contact rating, or Normally-Closed functionality should use an external 12VDC relay (Aiphone RY-18L or equivalent). Release duration is determined by the reader's programming configuration (see the -XP Series Programming & Operation Manual).
2. The 'Request-Exit' input is used when triggering the reader's internal contact output from an external contact source is desired (motion detector, egress button, intercom relay output, etc.). An input closure should be connected across the Green wire and Ground (Brown wire). Unlock events triggered by this input are also subject to the reader's release duration (see the -XP Series Programming & Operation Manual).
3. When the Night Lock mode is active, a trigger will be provided across the 'Night Lock Trigger Output' (Red / Blue wire) and Ground (Brown wire). This can be used to integrate with external alarm systems for improved functionality.
4. The 'Forced Entry Sensor Input' (Grey wire) is designed to be connected to Ground (brown wire) in series with a magnetic door sensor (or equivalent normally-closed device) to allow the system to determine when the door has been either forced, or left open after an unlock event. When this sensor input active, an output trigger will be provided across the 'Forced Entry Trigger Out' (Grey / Pink wire) and Ground (Brown wire), for connection to an alarm system event input, sounder, or other desired device.
5. All device outputs (with the exception of the Violet 'Lock' output) provide a low current trigger output, and should not be used to drive anything greater than another device's trigger input without an appropriate relay. All device inputs require only a contact closure across the respective wire and Ground (Brown wire).
6. The White, Yellow, Pink, and Blue wires are not used and should be trimmed to avoid possible shorting and system malfunction.

**Note:** Only information pertaining to the wiring of the -XP series card reader is shown in this manual. For programming information, consult the -XP Series Programming & Operation Manual (included in the XP-KIT Programming Starter Kit). For JF series intercom configuration / connection information, consult the JF series Installation and Operation Manual.

# 4 SPECIFICATIONS

## DIMENSIONS:

JF-DVF-XP



## PROGRAMMING:

See programming instructions included with the required XP-KIT Programming Starter Kit (sold separately).

**Note: Do not attempt to program or use the JF-DVF-XP door station without first reading the initialization instructions included with the XP-KIT Programming Starter Kit!**

## SPECIFICATIONS:

### CARD READER:

Power Source: 12V DC  
Current Requirements: 40mA (Avg)  
Terminations: Color-coded pre-wired pigtail  
Operating Temperature: -10°~60°C / 14°~140°F  
Operating Humidity: 0-95% relative humidity non-condensing

### DOOR STATION:

Power Source: JF-2MED master  
Camera unit: CCD Camera  
Scanning line: 525 lines  
Min. illumination: 5 Lux at 1' or less  
Terminations: Screw terminals  
Operating Temperature: -10°~60°C / 14°~140°F  
Wiring Distance: 330ft w/ 87180250C wire

### FCC WARNING:

This device complies with Part 15 of the FCC rules.

Operation is subject to the following two conditions:

- (1) This device may not cause harmful interference.
- (2) This device must accept any interference that may cause undesired operation.
  - For proper regulatory compliance, the drain wire should be disconnected at the power supply end of the cable.
  - Changes or modifications not expressly approved by the party responsible for compliance could void the user's authority to operate the equipment.
  - The Reader is intended to be powered from a limited power source output of a previously certified power supply.

Aiphone Communication Systems  
1700 130th Ave. N.E.  
Bellevue, WA 98005  
(425) 455-0510  
FAX (425) 455-0071

**TOLL FREE TECHNICAL SUPPORT:**  
(800) 692-0200  
E-MAIL: tech@aihone.com

Pg. 4  
JF-DVF-XP Instr.  
0609JD

## Free Manuals Download Website

<http://myh66.com>

<http://usermanuals.us>

<http://www.somanuals.com>

<http://www.4manuals.cc>

<http://www.manual-lib.com>

<http://www.404manual.com>

<http://www.luxmanual.com>

<http://aubethermostatmanual.com>

Golf course search by state

<http://golfingnear.com>

Email search by domain

<http://emailbydomain.com>

Auto manuals search

<http://auto.somanuals.com>

TV manuals search

<http://tv.somanuals.com>