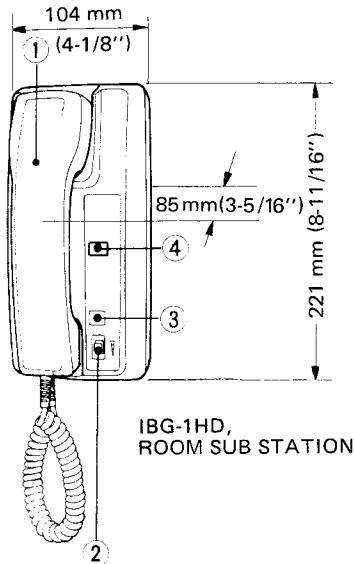


# CHIME TONE INTERCOM

MODEL : IBG-1HD (room sub station)

## — INSTRUCTIONS —



### NAMES AND FUNCTIONS

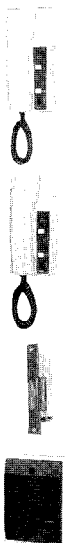
- ① Handset
- ② Chime volume control
- ③ Room station call button
- ④ Door release button

### FEATURES AND SPECIFICATIONS

- \* IBG-1HD sub station may be used for Aiphone Chime Tone Intercom Master: IBG-1GD.
- \* Up to 2 IBG-1HD sub stations can be connected per system.
- \* Melodic two stroke chime with volume control.
- \* Includes a button for door release.
- \* Desk use or wall mounting.
- \* Power source: Supplied from IBG-1GD master station.
- \* Wiring: Four common wires between master and room station (plus 2 additional wires, if electric door release is included). Single pair of wires may be extended from any room station to IBR-1 call extension.
- \* Wiring distance: Refer to the chart below and select the proper wire gauge to meet your requirements.

	0.5 mm	0.65 mm	0.8 mm
Between IBG-1GD and IBG-1HD	45 m	75 m	115 m
	24 AWG	22 AWG	20 AWG
	150'	230'	350'

### COMPONENTS AVAILABLE FOR USE WITH YOUR CHIME INTERCOM SYSTEM



**IBG-1GD:** Master station. Replies to a door station and also allows calling and talking with up to two room subs.

**IBG-1HD:** Room sub station. Replies to a door station and also allows calling and talking with master and another room sub.

**EL-9S:** Electric door release. Requires separate transformer.

**IBR-1:** Chime extension device. Announces a call from door in a place remote from master and room subs.



**IB-DA:** With plastic cover (surface mount).



**IB-NA:** With plastic cover (semi-flush mount).



**IC-RA:** With brown metal cover (semi-flush mount).

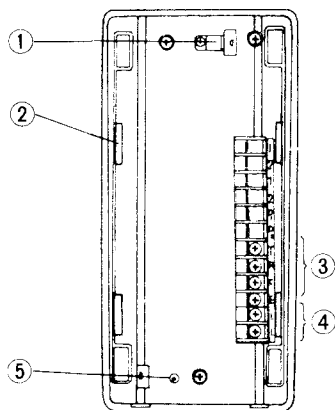


**IB-JA:** With stainless cover (flush mount).



**IB-FY:** With aluminum cover (flush mount). (Not available in N. America).

## ACTUAL IBG-1HD TERMINAL LOCATION



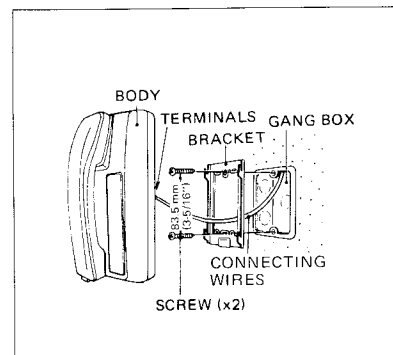
IBG-1HD BACK VIEW

- ① Cable clamp
- ② Hole for mounting bracket
- ③ Terminals **T** , **R** , **C** , **E** : Connect to room station
- ④ Terminals **L** , **L** : Connect to electric door release
- ⑤ Cable clamp hole

## WALL MOUNTING INSTALLATION

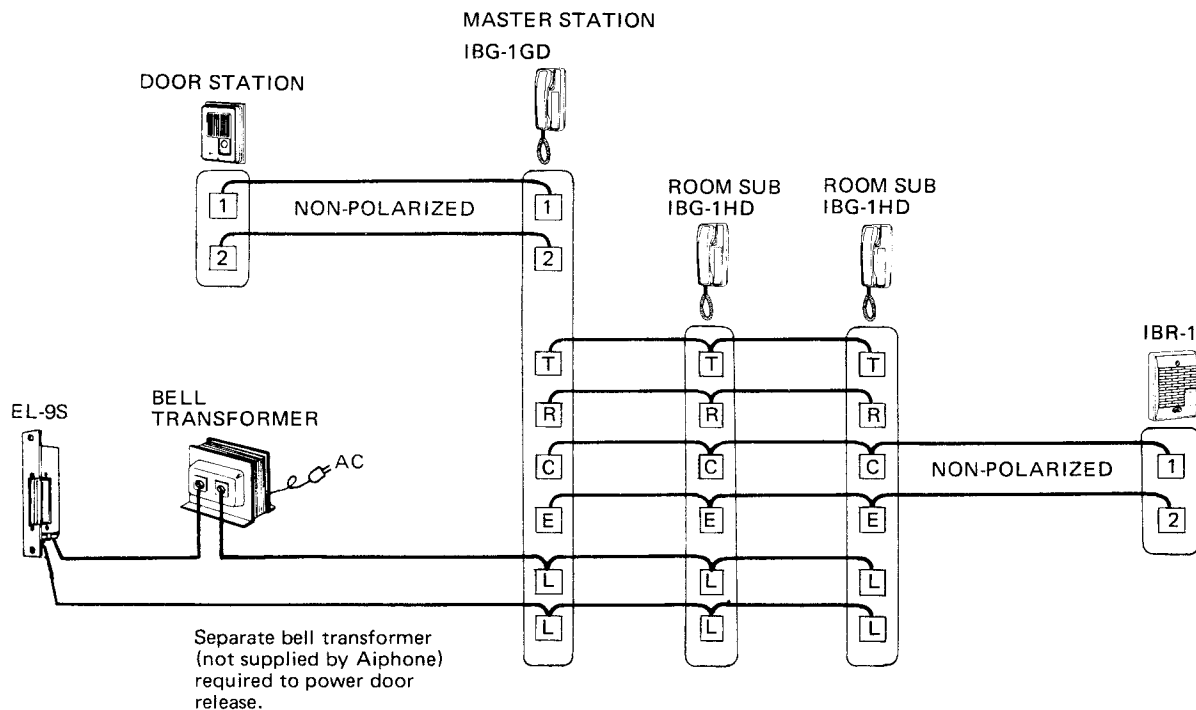
### IBG-1HD

Attach the mounting bracket to wall or gang box. Insert the prongs of the bracket into the holes of the body and pull the body downward. Be careful not to attach the bracket upside down.



## WIRING DIAGRAM

## COMPLETE IBG-1GD SYSTEM

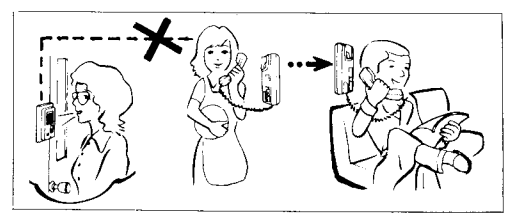


**NOTE:** For master station installation, please refer to the instructions sheet packed with each IBG-1GD unit.

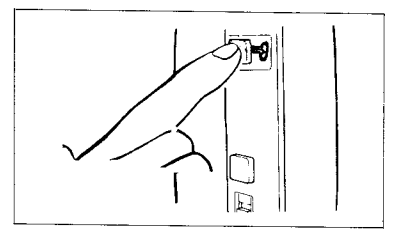
## ROOM STATION IBG-1HD OPERATION

(1) Receiving a call from door station; A call is annunciated by chime at all stations. Pick up handset at convenient location and communicate with door station.

(2) Transferring a call from door to another room; Depress the room call button, which shuts off talk path of door station. The transferred room station can communicate with door after you hang up handset. When the called station is not available, momentarily hang up handset to resume conversation with door station.



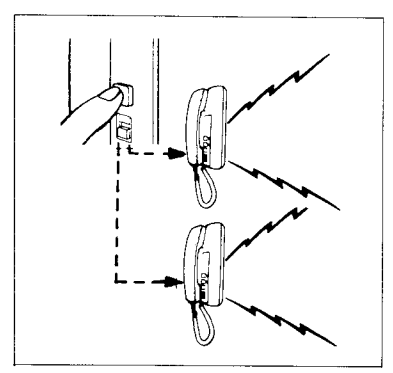
(3) Operating door release; EL-9S door lock, if included, may be released while depressing and holding the door release button on room station.



(4) Placing a call to another room station; Pick up handset and depress the call button. If your chime intercom includes three room stations (one IBG-1GD and two IBG-1HD), a call from one station will be annunciated at both remaining stations. It is recommended to determine in advance the call signal for each individual room, for example,

- ■ ■ ■ ■ to call room # (1) ,
- ■ ■ ■ ■ to call room # (2) ,
- ■ ■ ■ ■ to call room # (3) .

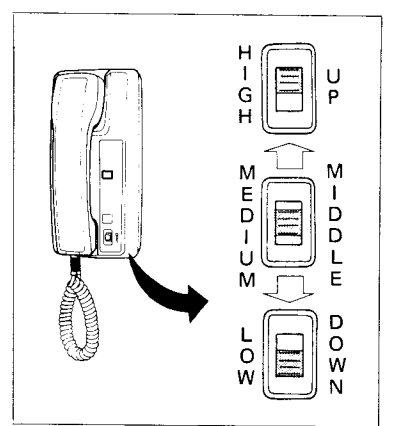
NOTE: If door station calls during conversation between room stations, chime will sound only at the room station not occupied (and at the IBR-1 extension device if installed). The two occupied stations will hear the incoming call thru handset.



When a communication is heard upon your picking up handset, do not depress room call button, which will cut off the communication with door station.

(5) Adjusting chime call tone volume; Chime call tone volume may be adjusted to three levels by setting switch as desired on each room station.

NOTE: The volume switch also adjusts room station call tone at the same time, while the chime call tone at IBR-1 remains unchanged.



**TO PREVENT ELECTRIC SHOCK:**

- \* DO NOT CONNECT ANY TERMINAL ON ANY UNIT TO AC POWER LINES.
- \* When you mount IBG-1GD in place of existing bell or chimes, be sure to disconnect wires from present transformer.
- \* BE SURE TO DISCONNECT IBG-1GD FROM POWER SOURCE BEFORE YOU OPEN THE UNIT, OR MAKE WIRING CONNECTIONS.
- \* Do not pinch connecting wires in windows, doors or desks.
- \* IBG-1GD equipment must be installed in as dry and dust-free environment as possible.

## CLEANING YOUR INTERCOM STATIONS

- \* Your Aiphone intercom stations may be cleaned with a soft cloth dampened with household cleanser, such Mr. Clean or Fantastik.

\*\*\*

We at AIPHONE are proud of our products. Our designers and engineers strive to bring you the finest in communication equipment. Each item has been carefully tested and inspected before leaving our factory. Properly installed and used, your Aiphone intercom system should give years of trouble-free service.

We are pleased to offer the following warranty:

### WARRANTY

Aiphone warrants its products to be free from defects of material and workmanship under normal use and service for a period of one year after delivery to the ultimate user and will repair free of charge or replace at no charge, should it become defective upon which examination shall disclose to be defective and under warranty. Aiphone reserves unto itself the sole right to make the final decision whether there is a defect in materials and/or workmanship; and whether or not the product is within the warranty.

This warranty shall not apply to any Aiphone product which has been subject to misuse, neglect, accident, or to use in violation of instructions furnished, nor extended to units which have been repaired or altered outside of the factory.

This warranty does not cover batteries or damage caused by batteries used in connection with the product.

This warranty covers bench repairs only, and any repairs must be made at the shop or place designated in writing by Aiphone. Aiphone will not be responsible for any costs incurred involving on site service calls.

Aiphone Co., Ltd., Nagoya, Japan  
Aiphone Corporation, Bellevue, Washington  
IBG-1HDI-0785©

ALL OVER THE WORLD **AIPHONE**<sup>®</sup>

Printed in Japan (E)

## Free Manuals Download Website

<http://myh66.com>

<http://usermanuals.us>

<http://www.somanuals.com>

<http://www.4manuals.cc>

<http://www.manual-lib.com>

<http://www.404manual.com>

<http://www.luxmanual.com>

<http://aubethermostatmanual.com>

Golf course search by state

<http://golfingnear.com>

Email search by domain

<http://emailbydomain.com>

Auto manuals search

<http://auto.somanuals.com>

TV manuals search

<http://tv.somanuals.com>