

# NE-NVP-2DC

## Vandal Proof Sub Station with Standard Call Button

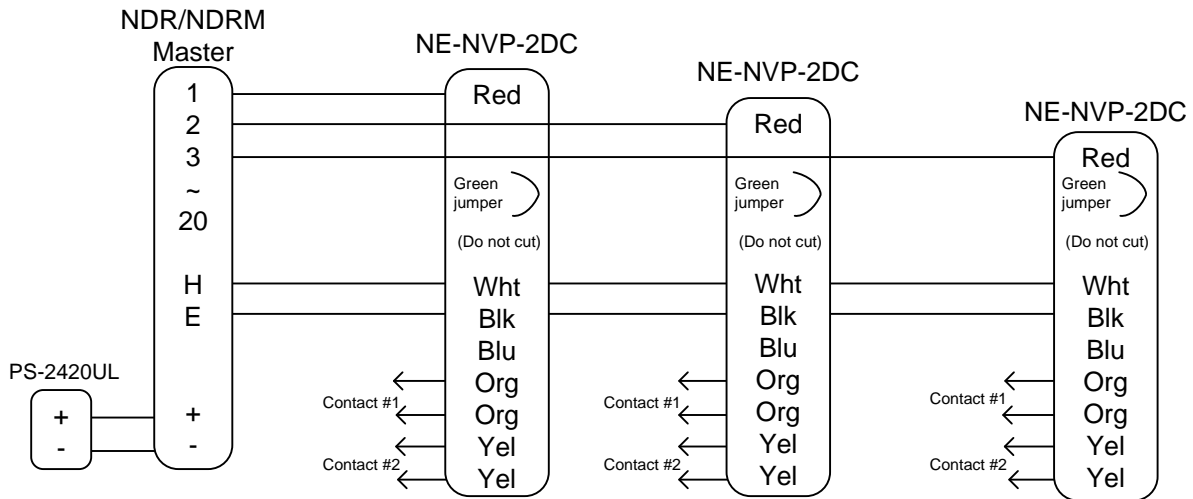
## and Red Emergency Call Button

## Equipped with DPDT Contacts

### - INSTRUCTIONS -

The NE-NVP-2DC is a vandal proof sub station designed for use with the NDR or NDRM system. It is constructed of 11 gauge carbon steel with a white powder-coated finish. The NE-NVP-2DC can be flush or surface mounted and includes tamper proof screws and a wrench for installation.

### WIRING DIAGRAM:



### NOTES:

1. Do not cut the green jumper on the circuit board unless an external call-placed lamp is installed at the sub station.
2. Red Duress call button on sub station provides two sets of alternate action N/O contacts (Orange/Yellow pairs). Both contacts are activated by push on/push off function of Duress button. (Open when off, closed when on.)
3. NE-NVP-2DC flush mounts into a 3-gang masonry type box (Raco #692, 697, or equivalent.)
4. Surface mount box for NE-NVP-2DC is model SBX-NVP, sold separately.

### SPECIFICATIONS:

- Power Source:** Supplied by master station
- Speaker:** 20 ohms, 2-1/2" diameter, water proof and puncture resistant, 2.4 oz. ceramic magnet
- Call Button:** SPST, normally open push button. Red button: Activates DPDT N/O contacts (ORG/YEL pairs). DPDT Relay Contacts: 6A @ 125V AC or 6A @ 30V DC. Min. 25,000 operations
- Faceplate:** 11 gauge carbon steel with powder-coated white baked epoxy finish
- Call Annunciation:** Standard call button at sub latches call at NEM master until answered. Red emergency button is "push-on, push-off", which activates or deactivates DPDT contacts and red LED. "Push-on" activates relay and LED, "push-off" deactivates them.
- Communication:** Hands free at sub. Master is push-to-talk or VOX with handset.
- Terminal Definitions:** RED: Station #  
BLACK: to "E" (Common)  
WHITE: to "H" (12 VDC - Powers DPDT contacts and LED)
- Wiring:** Communication and standard call: 3 conductors homerun; or 2 common plus 1 individual per sub, looped through each sub. Shielded cable is recommended. Use Aiphone #822203 or #821803 for homerun wiring, #822206 for up to 4 stations. DPDT contacts require 4 additional wires from each sub station.
- Wiring Distance:** 420' with 22AWG; 1,000' with 18AWG (standard call and communication).
- Dimensions (H x W x D):** NE-NVP-2DC alone: 7-1/2" x 5-1/2" x 2". With SBX-NVP: 8-5/8" x 6-5/8" x 2-1/4"

## Free Manuals Download Website

<http://myh66.com>

<http://usermanuals.us>

<http://www.somanuals.com>

<http://www.4manuals.cc>

<http://www.manual-lib.com>

<http://www.404manual.com>

<http://www.luxmanual.com>

<http://aubethermostatmanual.com>

Golf course search by state

<http://golfingnear.com>

Email search by domain

<http://emailbydomain.com>

Auto manuals search

<http://auto.somanuals.com>

TV manuals search

<http://tv.somanuals.com>