

RY-18L

Form C Relay for 12-18V DC Intercom Systems with Door Release

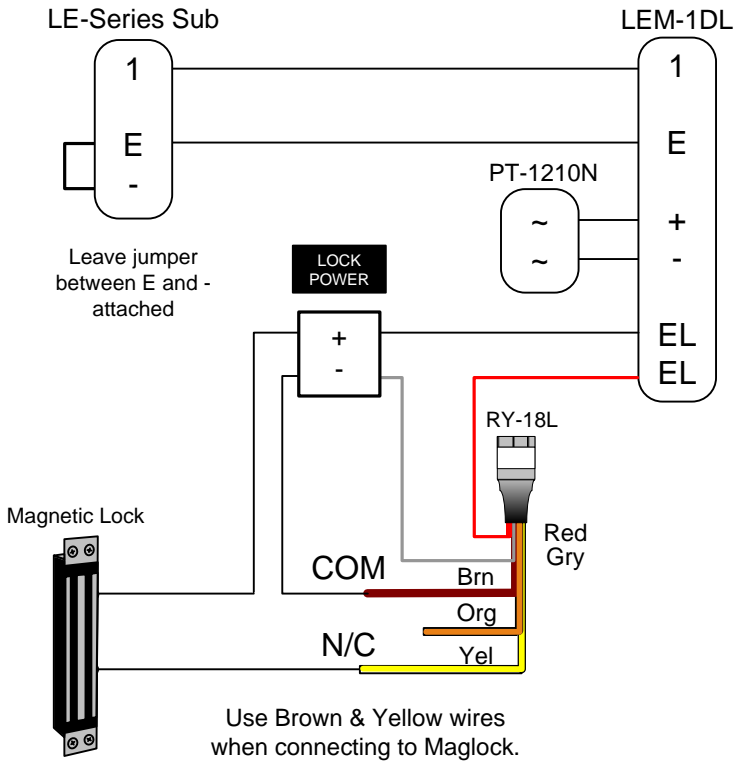
- INSTRUCTIONS -

The RY-18L Door Release Relay Module is an interface between the door strike contacts on the Aiphone unit and the actual release mechanism. The contact ratings on Aiphone units vary, and are all Normally Open. If your strike or maglock is a higher voltage or draws more current than specified for the unit, the RY-18L is required. It provides either a Normally Open contact for an electric strike, or a Normally Closed contact for a magnetic lock. The contact rating supports a majority of door release hardware available on the market. This relay is recommended with all MK and JF systems when using the single door release feature, and for the LEM-1DL or LEF systems when connecting a maglock.

INSTALLATION:

1. Install in a suitable location, either near the power source for the door release mechanism, or behind the intercom.
2. Secure wire connections with proper termination, such as wire nuts or crimp connectors.
3. Trim the wires to the desired length.
4. Cut the unused contact wire so the bare strands are not exposed.

WIRING DIAGRAMS:



MAGNETIC LOCK WIRING METHOD:

(Normally Closed contact)

Lock Power: Power source for Magnetic Lock
 When using 12-18V DC power, use the RY-18L.
 When using 24V DC power, use the RY-24L.

RY-18L COLOR CODE:

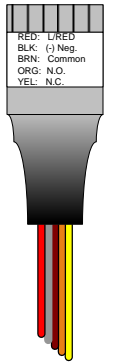
Input of Relay:

Red:L/RED, Positive trigger
 Gray:(-) NEGATIVE

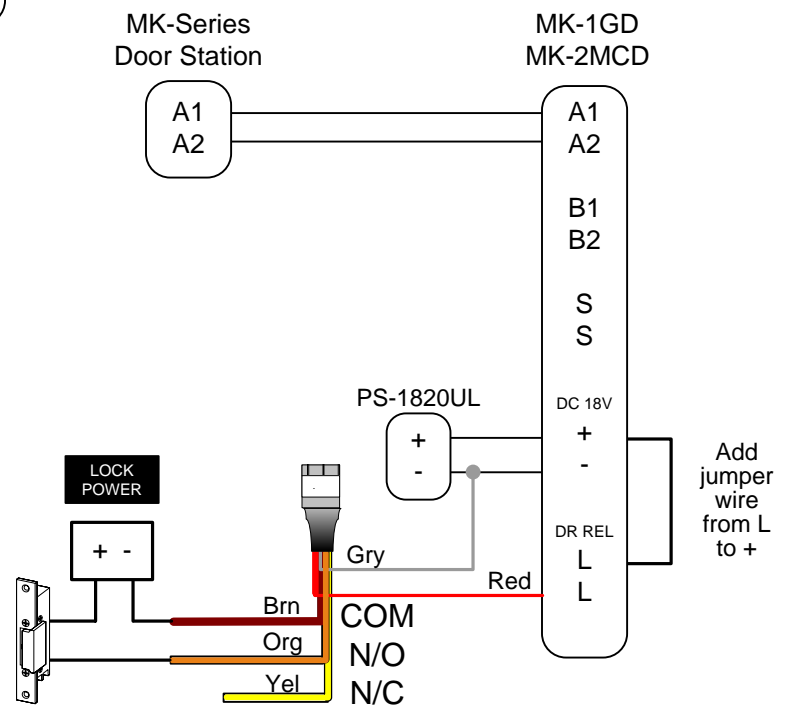
Output of Relay:

Brown:COMMON
 Orange: N.O. Contact
 Yellow:N.C. Contact

(See contact rating specs on back page)



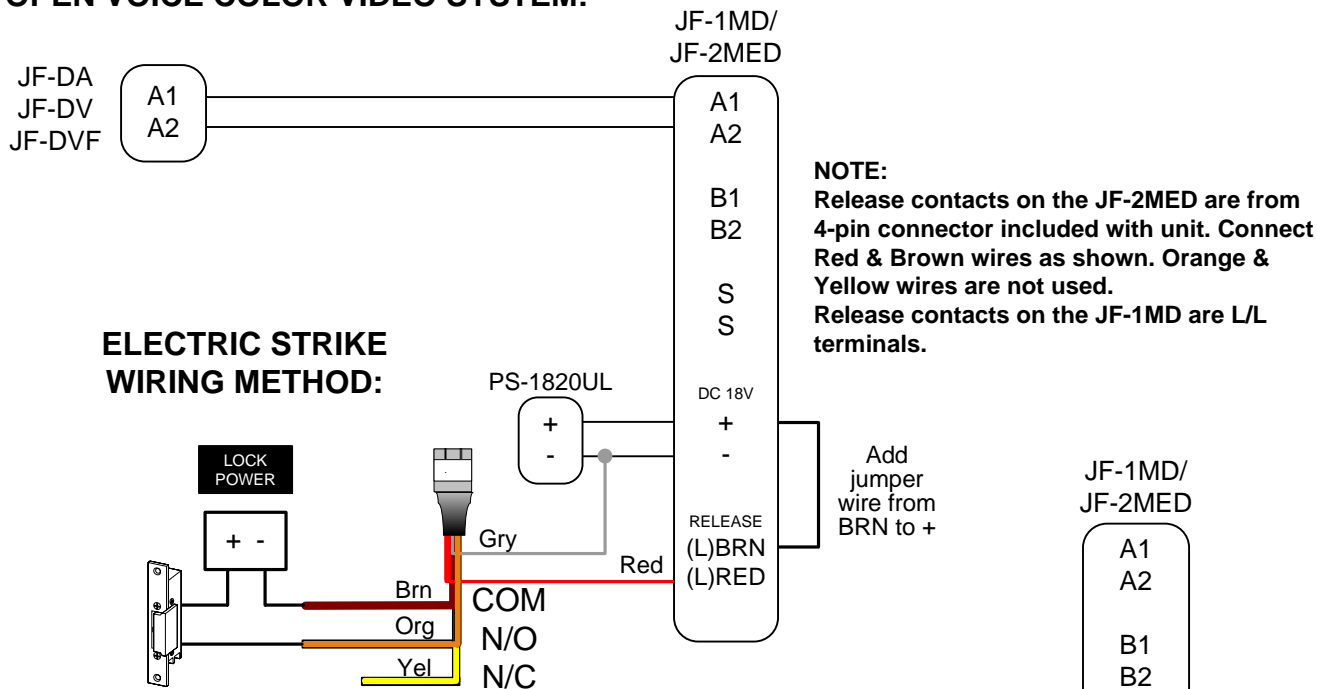
MK-SERIES BLACK & WHITE VIDEO SYSTEM



Use Normally Open contact for electric strike

WIRING DIAGRAMS:

JF OPEN VOICE COLOR VIDEO SYSTEM:



ELECTRIC STRIKE WIRING METHOD:

Use Normally Open contact for electric strike

MAGNETIC LOCK WIRING METHOD:

Use Normally Closed contact for magnetic lock

SPECIFICATIONS:

Power Source:	Supplied by master station
Mounting:	No mounting required
Terminations:	Color-coded prewired pigtails
Relay Input:	12-18V DC, Red, Gray wires, 22AWG
Relay Output:	Brown, Red, Orange wires, 18AWG
N/O Output rating:	5A at 30V DC 10A at 125V AC 3A at 250V AC
N/C Output rating:	3A at 30V DC or 125V AC
Wiring:	2 conductors from monitor's door release contacts to RY-18L. 2 conductors from RY-18L to strike, with power for strike wired in series.
Dimensions (HxWxD):	1-3/4" x 7/8" x 7/16", with wires extending approx. 7-1/2"

NOTE:

Only wiring pertaining to connection of door release relay is shown here. For complete system information, please consult the main system installation manual.

Aiphone Communication Systems
1700 130th Ave. N.E.
Bellevue, WA 98005
(425) 455-0510
FAX (425) 455-0071

TOLL FREE TECHNICAL SUPPORT: (800) 692-0200
TOLL FREE FAX LINE: (800) 832-3765
E-MAIL: tech-serv@aiphone.com

RY-18L Instr.
0307JD

Free Manuals Download Website

<http://myh66.com>

<http://usermanuals.us>

<http://www.somanuals.com>

<http://www.4manuals.cc>

<http://www.manual-lib.com>

<http://www.404manual.com>

<http://www.luxmanual.com>

<http://aubethermostatmanual.com>

Golf course search by state

<http://golfingnear.com>

Email search by domain

<http://emailbydomain.com>

Auto manuals search

<http://auto.somanuals.com>

TV manuals search

<http://tv.somanuals.com>