

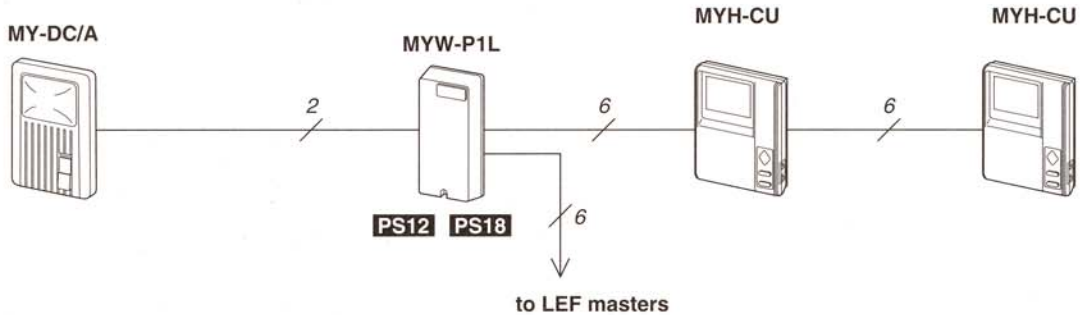
LEF Series
PanTilt Door Adaptor, single-entry

Model: **MYW-P1L**

INSTALLATION & OPERATION MANUAL

1 SYSTEM OUTLINE & COMPONENTS

MYW-P1L is a PanTilt door adaptor for use with LEF or LEF-C Open Voice Selective Call Intercom System.



★ For long-distance application, more than 100 m to 300 m (330' to 980'), install an MYW-BA in between MY-DC/A and MYW-P1L with specified cable.

Package contents

- PanTilt door adaptor (MYW-P1L)
- Packet of screws
- Installation & Operation Manual

Components available

MY-DC/A	MYH-CU	MYH-CUB	PS-18C or PS-18E	LEF-10 or 10S	LEF-10C
PanTilt door station	Video-monitor	Semi-flush	Video power supply	10-call	10-call Semi-flush
		or			

- MY-DG/A
- MY-EA, FA
- MY-CA or MY-DS wide-angle

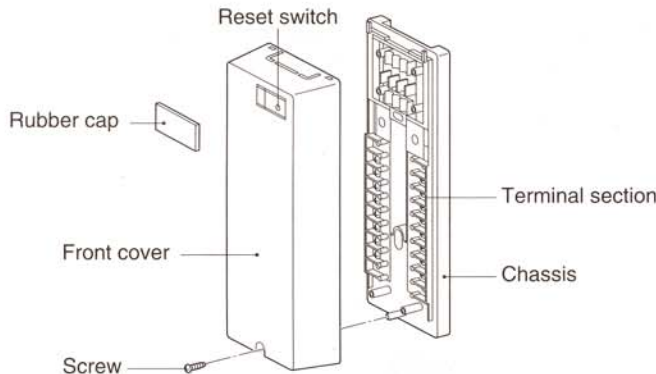
- Surface-mount
- Semi-flush mount

- 18VDC, 2A

- LEF-5
- LEF-10S

- LEF-5C

2 NAMES AND FEATURES



MYW-P1L is a video adaptor for use with LEF or LEF-C in any configuration. Accommodates PanTilt door/monitor wires, and audio signal wires to LEF network. Two power supplies, audio & video are installed near and wired to the MYW-P1L.

FEATURES

- * Single PanTilt entry system
- * Audio, video & PanTilt signals
- * MYW-P1L video package can work with an LEF intercom system.
- * MYH-CUB semi-flush monitor(s) mounts with LEF-5C, 10C and optional Music Center (BGR-10A).

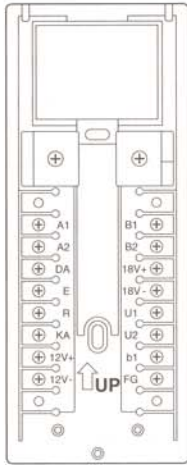
3 PRECAUTIONS ON INSTALLATION & WIRING

- ★ MYW-P1L is an LEF Series PanTilt door adaptor for indoor use only. Locate it in the mid point of LEF system. Audio & video power supplies can be wired via MYW-P1L.
- ★ Do not connect 18V+ on MYW-P1L to video monitor's A1, A2 video terminals, which will damage video components.

- Before installing MYW-P1L, the contents of this Manual and MYH-CU & MYH-CUB's must be thoroughly read and understood.

4 WIRING

- Terminal block layout



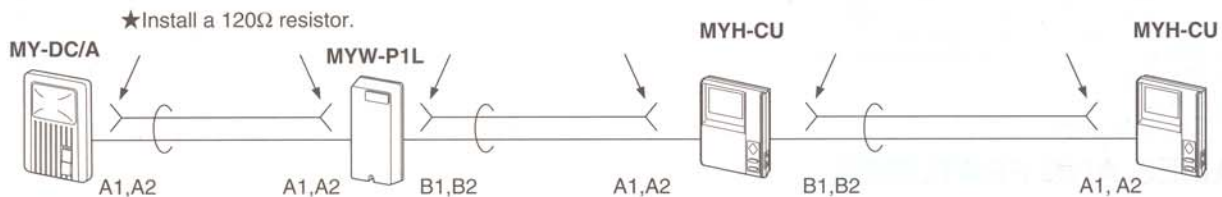
- A1, A2 : audio, video & PanTilt signals
- DA : chime tone activation
- E : common communication
- R : occupied LED
- KA : camera control
- B1, B2 : video & PanTilt signals
(to MYH-CU(B) monitors)
- U1 : monitor control (output)
- U2 : monitor control (input)
- b1 : illuminating control (external)
- FG : grounding
- 12V+, - : LEF audio power supply connection
- 18V+, - : MYW-P1L video power supply connection

- Cable

- Use a 2-conductor parallel cable for PanTilt door station. For MYH-CU(B) video-monitors, use 6- (or 8-) conductor cable, non-twisted, which must be a separate jacketed cable from LEF audio cable.

- Wiring

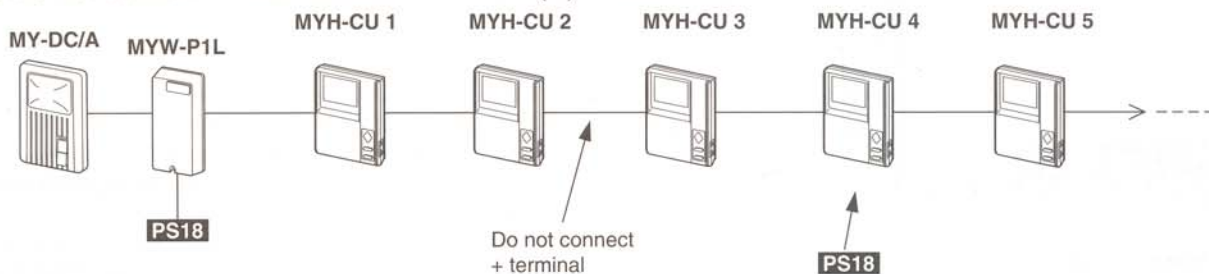
- Keep both audio and video wires at least 2 feet (60 cm) from AC wiring, fluorescent lights, and dimmer switches. It is suggested to use cable with no extra wires, which can affect both image and voice quality. Terminate each extra pair at every end with a 120Ω resistor.



- Power supply

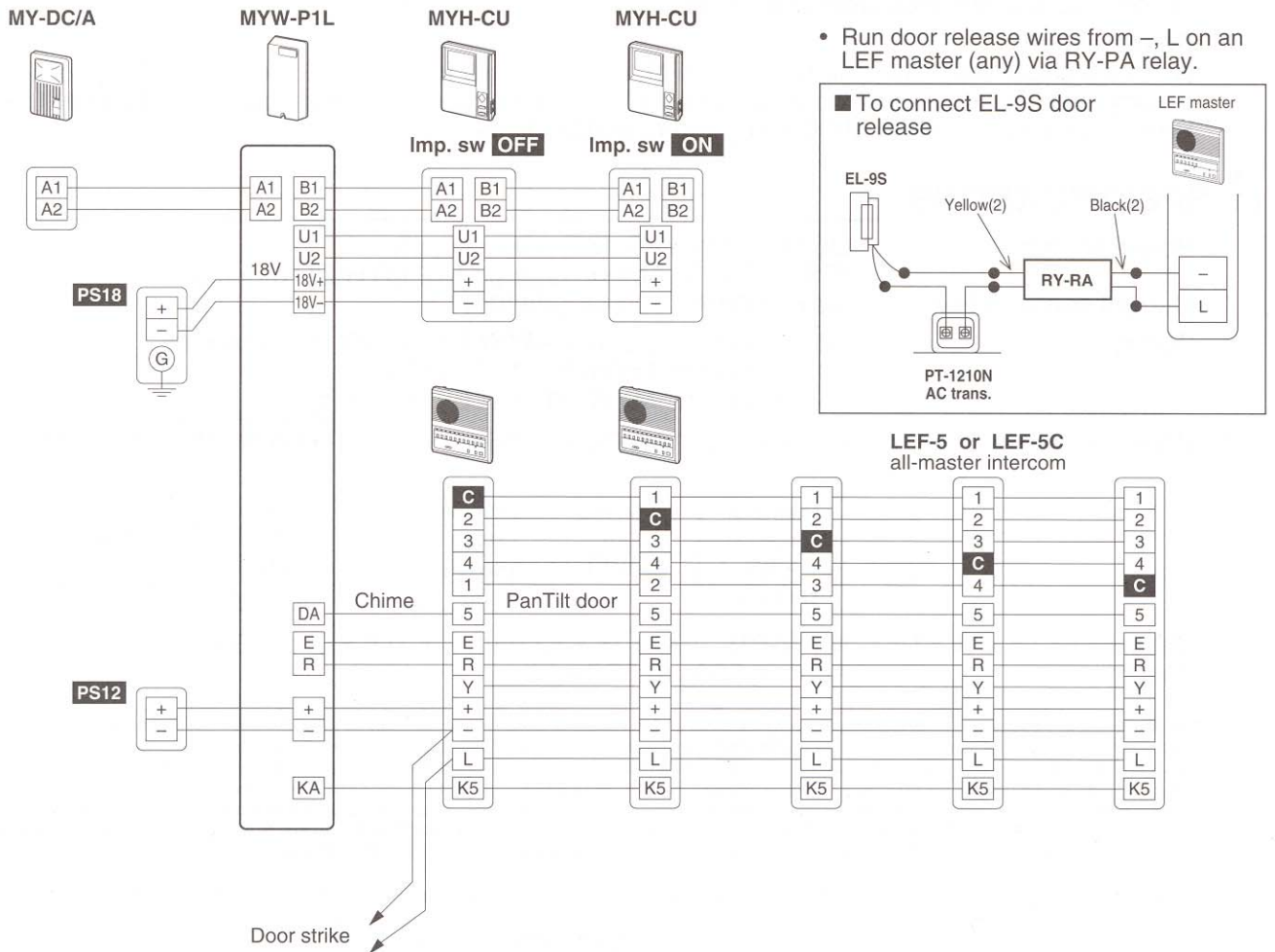
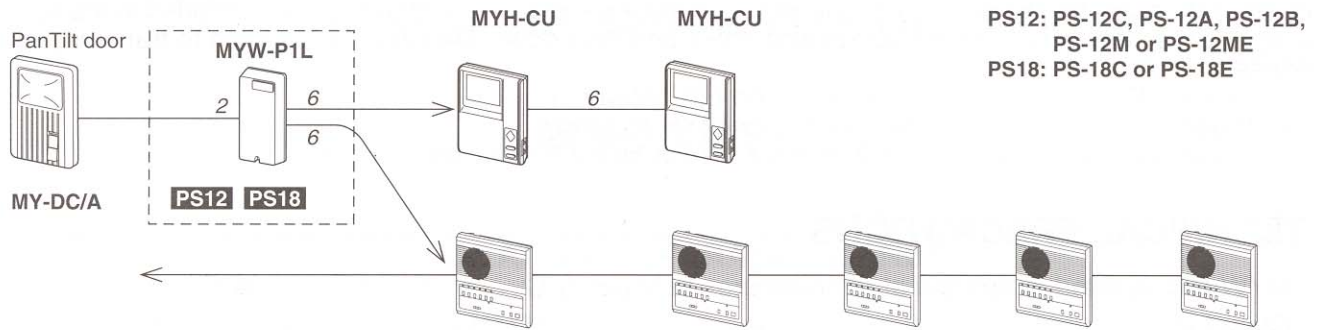
Use one PS-18C or PS-18E power supply for MYW-P1L and two MYH-CU(B) monitors. Install an additional power supply for monitors 3 ~ 6, in mid point of the installation.

- ★ Do not connect + wire between MYH-CU(B) 2 and 3.



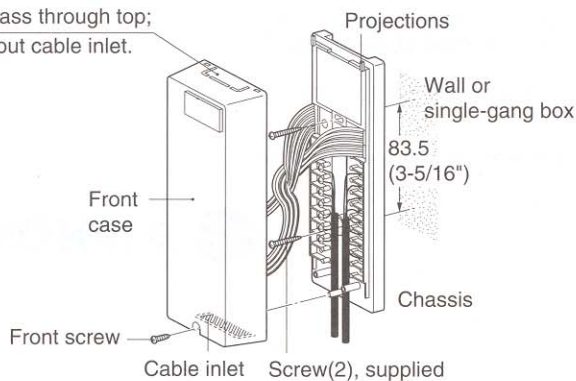
■ WIRING DIAGRAM

● PanTilt door integration with LEF-5 or LEF-5C



5 MOUNTING

To pass through top;
Cut out cable inlet.



1. Loosen a front bottom screw, lifting front case off the chassis.
2. Disconnect MYW-P1L, unplugging connectors.
3. Attach the chassis to wall or box.
4. Make wire terminations on screw terminals.
5. Plug in connectors and remount front case to chassis.

6 OPERATIONS

When CALL button is pressed on PanTilt door station, MYH-CU(B) monitor(s) turns on, and rings LEF(-C) masters with oscillating tone. (Chime tone will be heard if the BG-10C or BGR-10A are included in the system) To reply, press the LED-lit select button and press and hold down TALK/LISTEN switch to transmit, and release to listen.

- Call-in LED : 20 seconds on LEF intercom
- Video call-in : 45 seconds on MYH monitor
- Video communication : 2-1/2 minutes. Press MONITOR button to extend.

7 TECHNICAL PRECAUTIONS

- * MYW-P1L is rated to operate at temperatures between 0°C ~ +40°C (32°F ~ +104°F).
- * **Cleaning:**
Clean the MYW-P1L unit with a soft cloth dampened with neutral household cleanser. Do not use any abrasive cloth or cleaner.
- * **Reset switch:**
When the power supply is turned on, MYW-P1L initializes itself for approx. 15 seconds. Video monitor(s) become operative, and PanTilt door camera (MY-CA, etc.) is reset to a central position (additional 15 seconds). Press Reset switch when MYW-P1L system malfunctions.

8 SPECIFICATIONS

- * Power source : DC18V. Use a PS-18E power supply (PS-18C in N. America) for up to 2 MYH-CU monitors.
- * Current consumption : Max. 500mA. 100mA (standby)
- * Wiring :

2 conductors, parallel MYW-P1L to MY door station
6 conductors MYW-P1L to MYH-CU(S)
6 conductors MYW-P1L to LEF master(s)

- * Wiring distance : • MYW-P1L ~ PanTilt MY Door • MYW-P1L ~ MYH-CU(s)

	0.65mmø	1.0mmø
Diameter	0.65mmø	1.0mmø
Distance	50m	100m
AWG	22AWG	18AWG
Distance	165'	330'

	1-monitor	2-monitor
Diameter	1.0mmø	1.0mmø
Distance	75m	35m
AWG	18AWG	18AWG
Distance	245'	115'

- * Dimensions (H x W x D) : MYW-P1L 190 x 74 x 42 (mm). 7-1/2" x 3" x 1-5/8".
- * Weight : Approx. 260g (0.57 lbs.)

This equipment has been tested and found to comply with the limits for a Class B digital device, pursuant to Part 15 of the FCC Rules. These limits are designed to provide reasonable protection against harmful interference in a residential installation. This equipment generates, uses, and can radiate radio frequency energy and, if not installed and used in accordance with the instructions, may cause harmful interference to radio communications. However, there is no guarantee that interference will not occur in a particular installation. If this equipment does cause harmful interference to radio or television reception, which can be determined by turning the equipment off and on, the user is encouraged to try to correct the interference by one or more of the following measures:

- Reorient or relocate the receiving antenna.
- Connect the equipment into an outlet on a circuit different from that to which the receiver is connected.
- Increase the separation between the equipment and receiver.
- Consult the dealer or an experienced radio/TV technician for help.

WARRANTY

Aiphone warrants its products to be free from defects of material and workmanship under normal use and service for a period of two years after delivery to the ultimate user and will repair free of charge or replace at no charge, should it become defective upon which examination shall disclose to be defective and under warranty. Aiphone reserves unto itself the sole right to make the final decision whether there is a defect in materials and/or workmanship; and whether or not the product is within the warranty. This warranty shall not apply to any Aiphone product which has been subject to misuse, neglect, accident, or to use in violation of instructions furnished, nor extended to units which have been repaired or altered outside of the factory. This warranty does not cover batteries or damage caused by batteries used in connection with the product. This warranty covers bench repairs only, and any repairs must be made at the shop or place designated in writing by Aiphone. Aiphone will not be responsible for any costs incurred involving on site service calls.

Aiphone Co., Ltd., Nagoya, Japan
Aiphone Corporation, Bellevue, WA, USA

MYW-P1L-(E) 1297G

#91166

COMMUNICATION SYSTEMS
AIPHONE
HOME, BUSINESS, INDUSTRY.
Printed in Japan (E)

Free Manuals Download Website

<http://myh66.com>

<http://usermanuals.us>

<http://www.somanuals.com>

<http://www.4manuals.cc>

<http://www.manual-lib.com>

<http://www.404manual.com>

<http://www.luxmanual.com>

<http://aubethermostatmanual.com>

Golf course search by state

<http://golfingnear.com>

Email search by domain

<http://emailbydomain.com>

Auto manuals search

<http://auto.somanuals.com>

TV manuals search

<http://tv.somanuals.com>