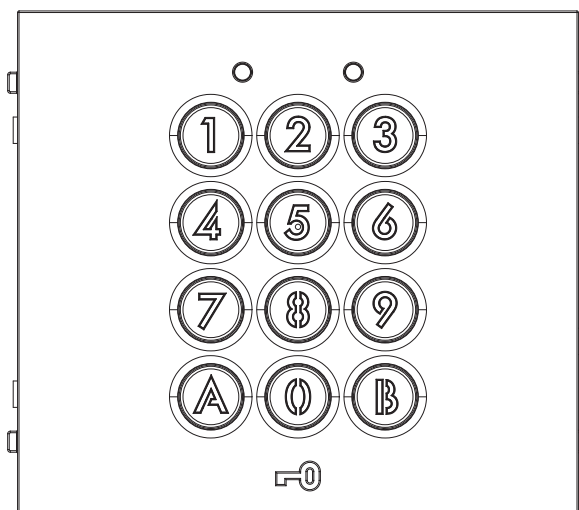


AIPHONE

GT-AC

Access Control keypad Module
Module clavier à codes rétro-éclairé
GH / GT-Codeschlossmodul
Módulo de teclado de control de acceso
Codeklavier-module



GT-AC

INSTALLATION & OPERATION MANUAL
NOTICE D'INSTALLATION ET D'UTILISATION
INSTALLATIONS- UND BEDIENUNGSANLEITUNG
MANUAL DE INSTALACIÓN Y USO
INSTALLATIE & GEBRUIKSHANDLEIDING

RECORD OF SETTINGS AND REGISTRATION DETAILS (Please make sure to write down your settings below.)
AIDE MEMOIRE DES PROGRAMMATIONS ENREGISTREES (Faire en sorte de bien noter vos réglages ci-dessous.)
VERZEICHNIS DER EINSTELLUNGEN UND REGISTRIERUNGSDetails (Bitte notieren Sie unten Ihre Einstellungen.)
DATOS DE CONFIGURACIÓN Y DETALLES DE LOS REGISTROS (Asegúrese de apuntar los valores de ajuste abajo.)
LIJST MET GEPROGRAMMEERDE INSTELLINGEN EN CODES (Zorg ervoor uw instellingen hieronder op te schrijven.)

Master code Code maître Mastercode Código maestro Hoofdcode					
Key illumination time Temporisation d'éclairage Tastenbeleuchtungszeit Tiempo de encendido de las teclas Verlichtingsduur klavier	sec/sek/seg				
Relay output time Temporisation des relais Relais Ausgabezeit Tiempo de salida Relé Relais outputtijd	<table border="1" style="width: 100%;"> <tr> <td> Relay 1 Relais 1 Relais 1 Relé 1 Relais 1 </td> <td style="text-align: right;">sec/sek/seg</td> </tr> <tr> <td> Relay 2 Relais 2 Relais 2 Relé 2 Relais 2 </td> <td style="text-align: right;">sec/sek/seg</td> </tr> </table>	Relay 1 Relais 1 Relais 1 Relé 1 Relais 1	sec/sek/seg	Relay 2 Relais 2 Relais 2 Relé 2 Relais 2	sec/sek/seg
Relay 1 Relais 1 Relais 1 Relé 1 Relais 1	sec/sek/seg				
Relay 2 Relais 2 Relais 2 Relé 2 Relais 2	sec/sek/seg				

External output setting Paramétrage de sortie externe Externer Ausgang Ajuste de la salida externa Activering Alarmuitgang	<input type="checkbox"/> ON <input type="checkbox"/> EIN <input type="checkbox"/> AAN	<input type="checkbox"/> OFF <input type="checkbox"/> AUS <input type="checkbox"/> UIT
Lockout Blocage Eingabe-Sperre Bloqueo Blokkering klavier	<input type="checkbox"/> ON <input type="checkbox"/> EIN <input type="checkbox"/> AAN	<input type="checkbox"/> OFF <input type="checkbox"/> AUS <input type="checkbox"/> UIT
Auto-relock Auto-reverrouillage Automatische Neuverriegelung Re-bloqueo automático Automatische hersluiting	<input type="checkbox"/> ON <input type="checkbox"/> EIN <input type="checkbox"/> AAN	<input type="checkbox"/> OFF <input type="checkbox"/> AUS <input type="checkbox"/> UIT
Timer-linked unlocking Déverrouillage lié à l'horloge Timergesteuerte Entriegelung Desbloqueo conectado al temporizador Tijdsgebonden ontgrendeling	<input type="checkbox"/> 1 <input type="checkbox"/> 2 <input type="checkbox"/> 1&2	
Operation tone Bip de fonctionnement Signaltöne Tono de operación Zoemer klavier	<input type="checkbox"/> ON <input type="checkbox"/> EIN <input type="checkbox"/> AAN	<input type="checkbox"/> OFF <input type="checkbox"/> AUS <input type="checkbox"/> UIT

Registered User Code List / Liste des codes utilisateur programmés / Liste der registrierten Zugangscodes
Lista de códigos de los usuarios registrados / Lijst Codes Geregistreerde Gebruikers

group 1 / groupe 1 / gruppe 1 / grupo 1 / groep 1				
00				
01				
02				
03				
04				
05				
06				
07				
08				
09				
10				
11				
12				
13				
14				
15				
16				
17				
18				
19				
20				
21				
22				
23				
24				
25				
26				
27				
28				
29				

group 2 / groupe 2 / gruppe 2 / grupo 2 / groep 2				
60				
61				
62				
63				
64				
65				
66				
67				
68				
69				
70				
71				
72				
73				
74				
75				
76				
77				
78				
79				
80				
81				
82				
83				
84				
85				
86				
87				
88				
89				

PRECAUTIONS

- ⊘ General Prohibitions
- ⊘ Prohibition to Dismantle the Unit
- Ⓛ General Precautions

⚠ WARNING

(Negligence could result in death or serious injury to people)

- ⊘1. Do not connect any non-specified power source to the V, V terminals, and do not install two power supplies in parallel to a single input. Fire, damage to the unit, or system malfunction could result.
- ⊘2. The unit is not explosion-proof. Do not install or use near gases or flammable materials. Fire or explosion could result.
- Ⓛ3. Do not dismantle or alter the unit. Fire or electric shock could result.
- ⊘4. Do not allow the wires or DC output terminals to be shorted. Fire or electric shock could result.
- ⊘5. The unit must be installed and wired by a qualified technician.

⚠ CAUTION

(Negligence could result in injury to people or damage to property)

- Ⓛ1. When mounting the unit on a wall, install the unit in a convenient location, but not where it could be jarred or bumped. Injury could result.
- Ⓛ2. Do not install or make any wire terminations while power supply is plugged in. It can cause electrical shock or damage to the unit.

- Ⓛ3. Before turning on power, make sure wires are not crossed or shorted. Fire or electric shock could result.
- ⊘4. Do not install the unit in any of the following locations. Fire, electric shock, or unit trouble could result.
 - * Places subject to dust, oil, chemicals, hydrogen sulfide (hot spring).
 - * Places subject to moisture and humidity extremes, such as bathroom, cellar, greenhouse, etc.
 - * Places where the temperature is quite low, such as inside a refrigerated area or in front of air-conditioner.
 - * Places subject to steam or smoke (near heating or cooking surfaces).
 - * Where noise generating devices such as dimmer switches, inverter electrical appliances, are closeby.

GENERAL PRECAUTIONS

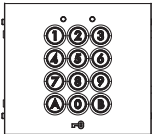

1. This product, being a control unit of door release, should not be used as a crime-prevention device.
2. This product is weather-resistant, but do not spray high-pressure water on it. Unit trouble could result.
3. The product becomes inoperative during power failure.
4. As to other manufacturer's devices, such as sensor, door releases, timer, used with this system, comply with the Specifications and Warranty conditions manufacturers or vendors present.
5. Keep the intercom wires more than 30 cm (12 inches) away from AC 100-240 V lines, particularly AC lines for inverter electrical appliances. Noise and malfunction could result.

CONTENTS

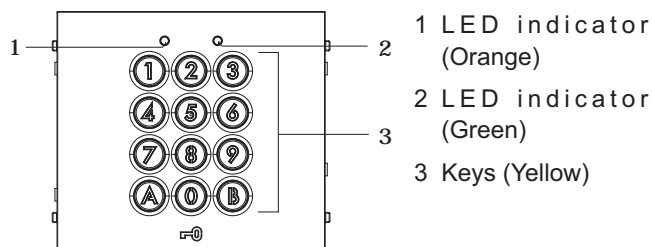
RECORD OF SETTINGS AND REGISTRATION DETAILS ...	2
PRECAUTIONS	3
PACKAGE CONTENTS	3
NAMES	3
MOUNTING	4
MOUNTING/WIRING METHOD, WIRING DISTANCE	4

FUNCTIONS • SETTING UP	6
OPERATIONS	10
TECHNICAL PRECAUTIONS	10
SPECIFICATIONS	10
WARRANTY	10

PACKAGE CONTENTS

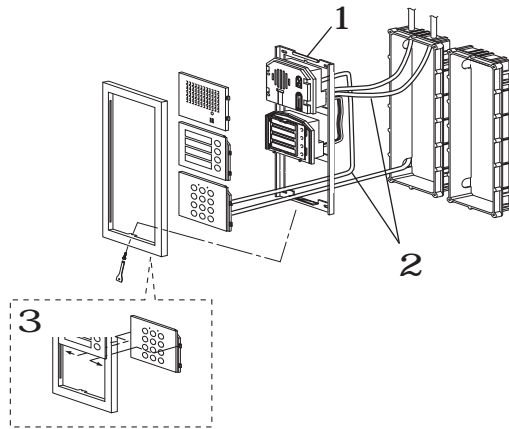
Unit	Installation & operation manual
	

NAMES



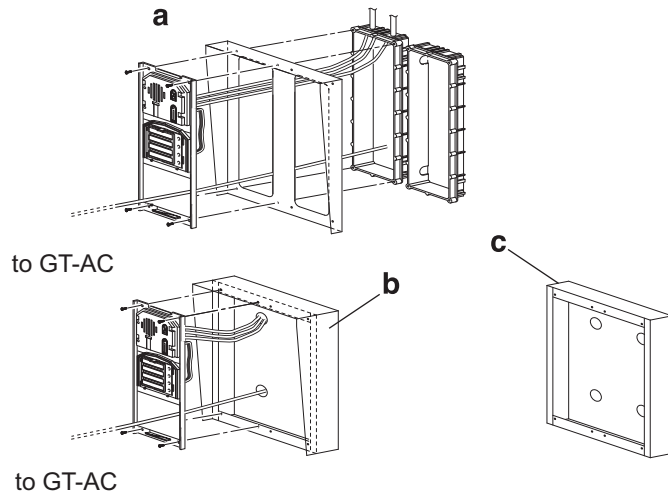
MOUNTING

The illustrations below use the GH system.



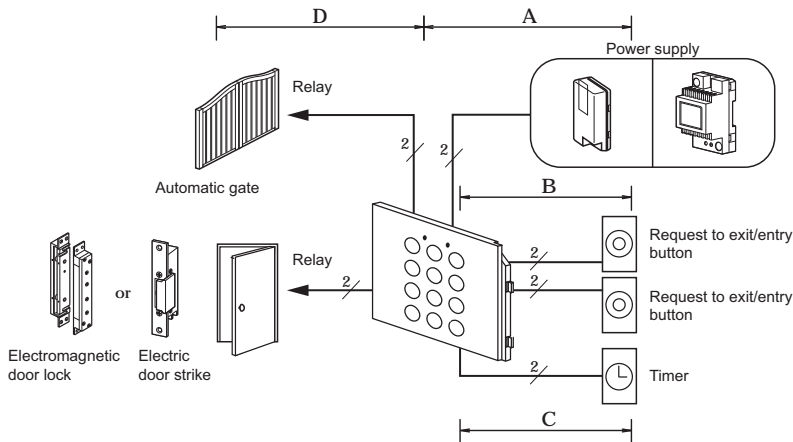
1. Fix the mounting bracket to the back (or surface-mount) box.
2. Connect the wires to the unit.
3. Mount GT-AC to the front frame.
 - Mount GT-AC from behind the front frame.
 - Insert the notch into the slots on both sides.

4



4. Options
 - a. Rain hood
 - b. Hooded surface-mount box
 - c. Surface-mount box
- *For details on mounting panels and modules other than the GT-AC, refer to the GF, GH or GT Installation and Operation Manual.

MOUNTING/WIRING METHOD, WIRING DISTANCE



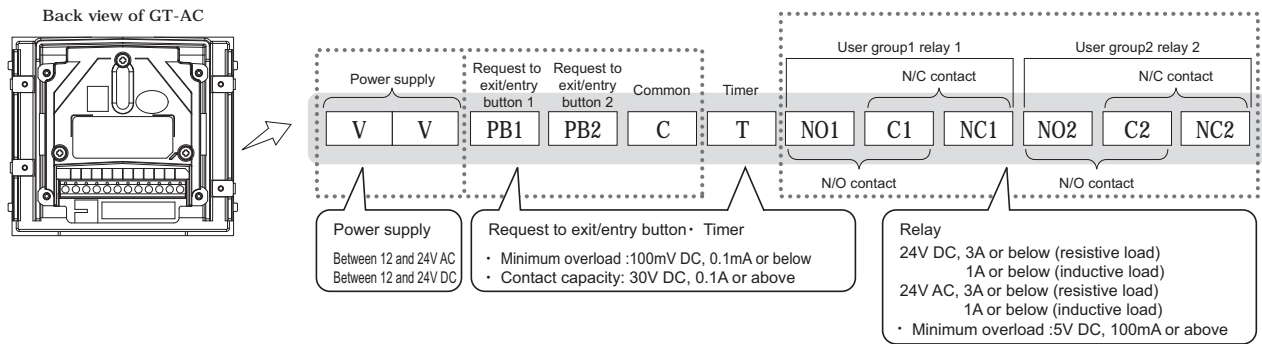
(Wiring distance)

	Power supply	diameter 0.65 - 1.0 mm (22-18AWG)
A	AC/DC 12 ~ 18V (Less than)	100m (330')
	AC/DC 18 ~ 24V	300m (980')
B	-	300m (980')
C	-	300m (980')
D	The connection distance will depend on the specifications of the electric door strike, relays or Electromagnetic door lock to be connected. To determine the operating range, please refer to the specifications of each terminal.	

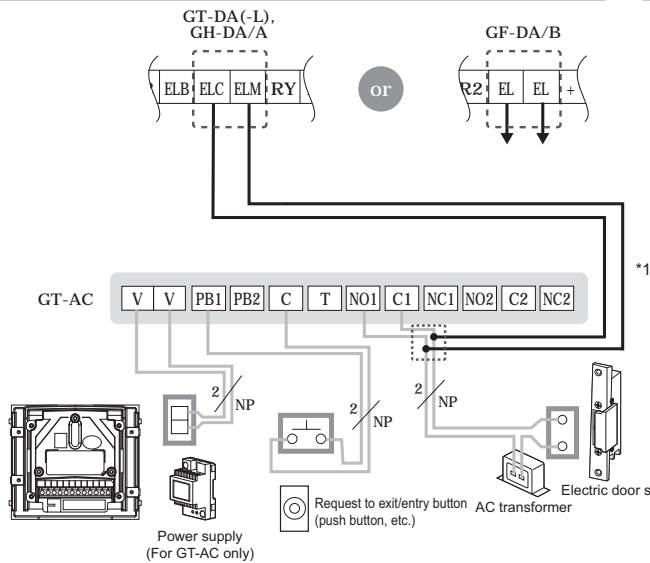
(*1) Use a separate power supply for the GT-AC, not the ones used to power the system.

(*2) Two relays can be activated from GT-AC. However, only one relay can be activated from a residential station.

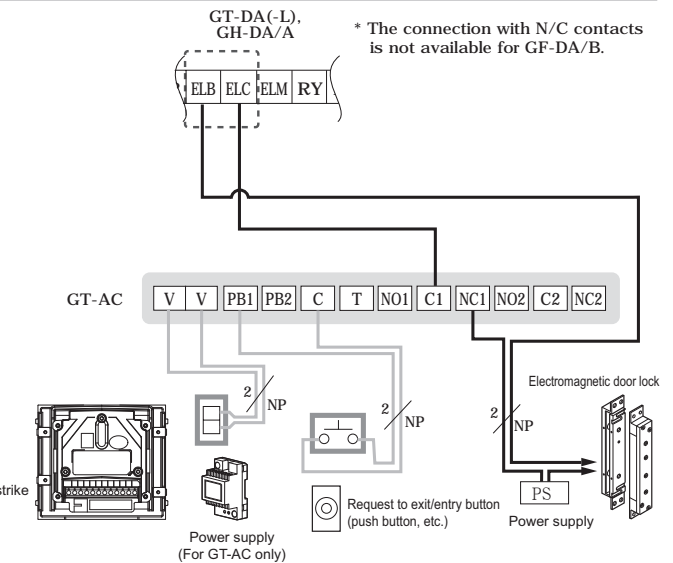
Terminal names



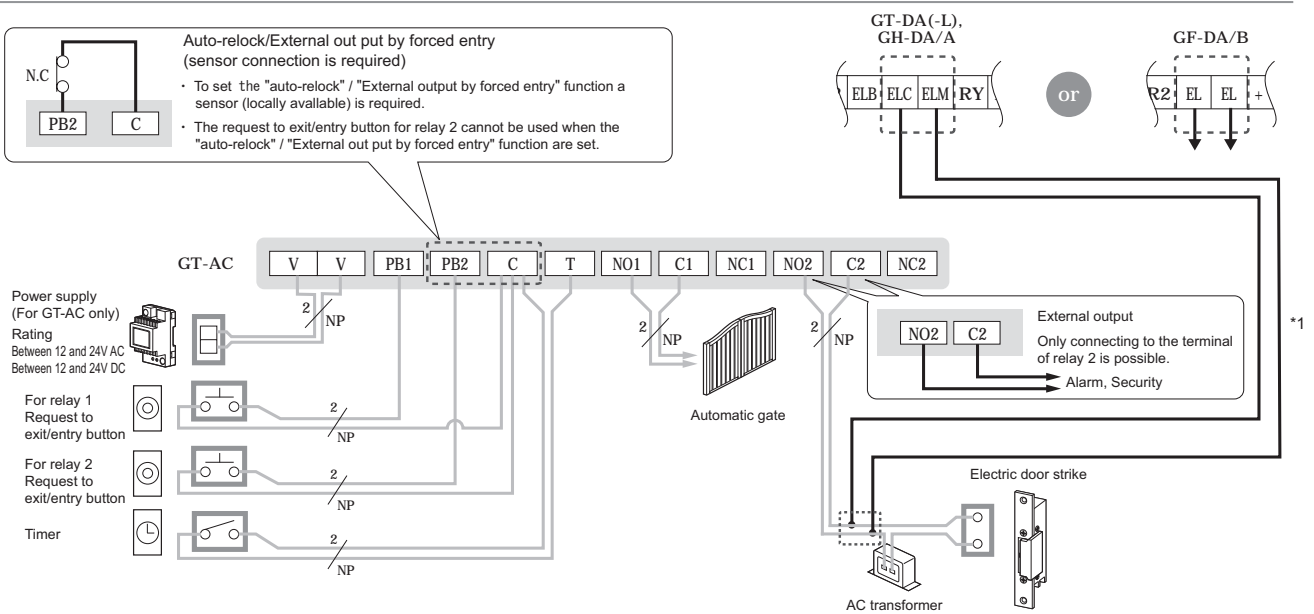
Connection of Relay 1 (N/O contact) only



Connection of Relay 1 (N/C contact) only



Relay 1: Automatic gate (N/O contact), Relay 2: Electric door strike (N/O contact)



(*1) The relay operating time of GT-DA(-L), GH-DA/A, GF-DA/B is different from that of GT-AC.

FUNCTIONS·SETTING UP

This section explains the settings of each function, including the master code for management, the user code for unlocking, the buzzer and the LEDs.

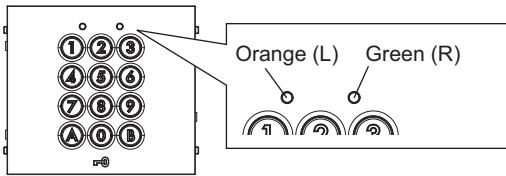
About the setting mode:

Enter master code twice to switch to the setting mode, and enter the following setting code to perform the settings for the desired function. After settings have been made, enter the following setting codes to continue the setting operation. Press (B) to exit the setting mode.

Setting items	Allowable setting range	Default value	Setting code
I Setting the code length Change the length of the master code and the user code. ※) They both must be the same length.	4, 5, or 6 digits	4 digits	(A) (3)
II Setting the master code Enter a master code using between 4 and 6 digits (alpha or numeric) to switch to the setting mode. ※) The number of digits in the code can be set by setting the code length.	1 Valid keys: 0 - 9, A, B	1234	(A) (4)
III Setting the code for user group 1 Set the unlocking code for user group 1. ※) The number of digits in the code can be set by setting the code length.	Number of codes: 60 Valid keys: 0 - 9, A, B	-	(0) (0) - (5) (9)
Setting the code for user group 2 Set the unlocking code for user group 2. ※) The number of digits in the code can be set by setting the code length.	Number of codes: 40 Valid keys: 0 - 9, A, B	-	(6) (0) - (9) (9)
IV Setting the key illumination time Set the length of time that the keys will be lit up after they are pressed.	Illumination time: 10 to 99 seconds, or continually lit	10 Sec.	(A) (0)
V Setting the relay 1 output time Set the output time of relay 1.	Output time: 1 to 99 seconds, or latched	3 Sec.	(A) (1)
III Setting the relay 2 output time Set the output time of relay 2.	Output time: 1 to 99 seconds, or latched	3 Sec.	(A) (2)
VI Reset Settings Return all the settings to their default values.	-	-	(A) (5)
VII External output setting The alarm or security system connected to the terminal of relay 2 will be activated when the "Lockout" * or the forced entry* is carried out. * "Lockout": Refer to VIII below. *Forced entry: This function is linked with the door open/close sensor (N.C.) which is connected to PB2 and C, and carried out when opening the door without activating this unit. (For example, entry in an improper manner, manual unlock, etc.) ※) If there is a way to open the door without activating this unit, such as manual unlock, do not make the external output setting for the forced entry.	· OFF · During Lockout · During forced entry output · During lockout and forced entry output	OFF	(A) (6)
VIII Lockout If several incorrect access codes are attempted, the code input function is disabled for a programmed period of time. · When "Lockout" is activated, the LED (Orange) indicator and the keypad blink, and the buzzer sounds for 3 seconds. This is just a sound to inform you that the function has been activated. It is not a warning sound. If you want a warning to be sounded, please use the external output function to activate a commercially-available alarm device. · The unlock function will work when the request to exit/entry button is pushed, even while the "Lockout" function is operating.	ON/OFF Invalid number of times: 10 to 99 times Invalid time: 10 to 99 seconds	OFF	(A) (7)
IX Auto-relock (Anti-tailgate) After the door has been linked to the door open/close sensor (N/C), and unlocked, it will relock itself one second after being closed, thus preventing the entry of an unauthorized third party. ※) 1	ON/OFF	OFF	(A) (8)
X Timer-linked unlocking setting The system can be set to unlock the door by pressing the (0) key within the set time and linking it to the external timer (N/O). The operations for the LEDs and the buzzer after unlocking are the same as those used to perform user code unlocking. When the door is linked to the timer, unlocking can be performed using the user code and the request to exit/entry button. When latch output is performed for the relay settings, the relay turns ON/OFF every time the (0) key is pressed.	Linked relay: relay 1 relay 2 relay 1 and 2 0 key illumination: ON/OFF	Linked relay: relay 1 0 key illumination: OFF	(A) (9)
XI Operation tone settings Set the tone heard when the keypad is being used to ON/OFF.	ON/OFF	ON	(A) (A)

- The setting can be saved even when the power is off.
- The system cannot be switched to the setting mode while the relay is unlocked.
- When the setting mode has been activated and no operations are performed for approximately 120 seconds, the system will exit the setting mode. (If a key is pressed during that time, the timer will start over.)
- Neither the request to exit/entry button nor the timer-linked unlocking (0) key can be operated, and unlocking using the user code cannot be performed while the setting mode is activated.
- The volume (the check tone, operation tone, etc.) from the main unit may become lower according to the mounting status.

6 ※ 1 : When the auto-relock is used, the request to exit/entry button for relay 2 cannot be used. The output of relay 2 is only possible when user code unlocking is performed.



The result of each operation is indicated by the lighting up of the LED indicators on the upper section of the unit, and by the sounding of the buzzer.

Input the master code twice.
(Default: 1 2 3 4 1 2 3 4)

(orange) Illumination (green) Blinking
Bleep, Bleep

I Setting the code length (Default: 4 digits) | II Setting the master code (Default : 1234) | III Setting the code group 1 | group 2

Input the setting code.
A 3

Illumination Blinking
Bleep

Input the setting code.
A 4

Illumination Blinking
Bleep

00 - 59
Inputting of user number (ex.: 01)
0 1

Illumination Blinking
Bleep

When a user code that has already been set is selected
Blinks twice
Illumination
Bleep, Bleep

60 - 99
Inputting of user number (ex.: 60)
6 0

Illumination Blinking
Bleep

When a user code that has already been set is selected
Blinks twice
Illumination
Bleep, Bleep

Inputting of code length (ex.: 5 digits)
4, 5, or 6 digits
5

Illumination Blinking
Bleep

Inputting of new master code (ex.: 4321)
4 3 2 1

Illumination Blinking
Bleep

Inputting of code (ex.: 1006)
* Numbers 0 - 9 and the letters A and B can be used
1 0 0 6

Illumination Blinking
Bleep

Inputting of code (ex.: 04B2)
* Numbers 0 - 9 and the letters A and B can be used
0 4 B 2

Illumination Blinking
Bleep

- When the **B** key is pressed, the green LED lights up, the buzzer beeps twice, and the system exits the setting mode. (If the **B** key is included in the user code and the master code, the system does not exit the setting mode.)
- You can continue the setting up operation by entering an arbitrary setting code.

Indicator goes out Blinking
Bleep, Bleep

- The set code will be saved in memory, even if the code length is changed. However, codes of different lengths cannot be used.
- When the code length has been changed, the master code returns to the default value (if the number of digits in the code is 4, 5, or 6, the master code is 1234, 12345, or 123456 respectively).
- Please note that the shift to the setting mode can be performed during timer-linked unlocking. However, if "0" is included in the master code, the door will be unlocked, and the shift to the setting mode will not be able to be performed.
- The same code cannot be set for both the user code and the master code (the previously set code has priority).
- Do not set simple codes, such as 1111.
- We recommend that you change the default master code.
- To make the set user code invalid, press 0000 (when 4 digits are used), 00000 (when 5 digits are used), or 000000 (when 6 digits are used). Code numbers which contain only "0" cannot be set as user codes.
- As the factory pre-setting master code is 1234, 1234 (when 4 digits are used), 12345 (when 5 digits are used), and 123456 (when 6 digits are used) cannot be set as user codes.
- Do not set simple codes, such as 1111.
- *** The same code cannot be set for both the user code and the master code. The previously set code has priority.**

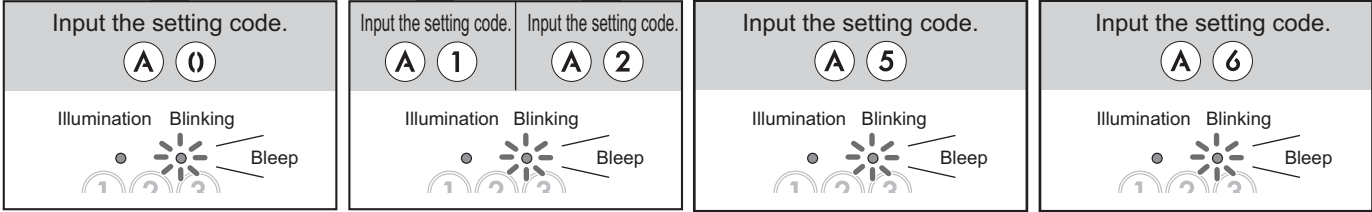
Input the master code twice.
(Default : ① ② ③ ④ ① ② ③ ④)



(orange) Illumination (green) Blinking
Bleep, Bleep

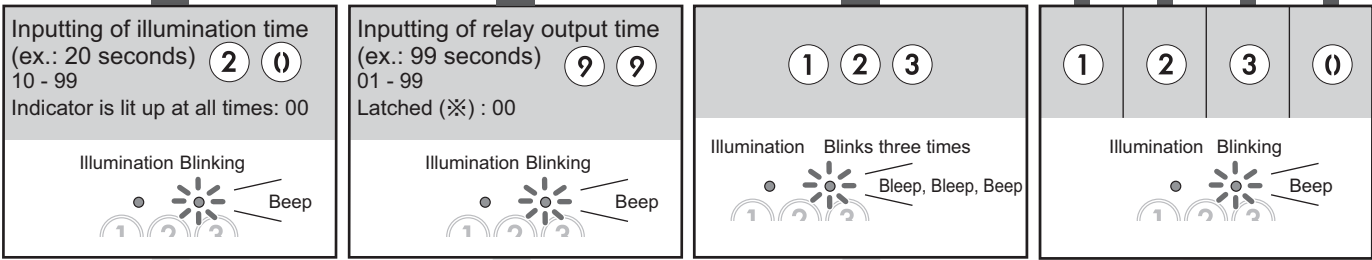
IV Setting the key illumination time (Default: 10 Sec.) | V Setting the relay output time (Default: 3 Sec.) | VI Reset Settings | VII External output setting (Default: OFF)

Input the setting code. (A 0) | Input the setting code. (A 1) | Input the setting code. (A 2) | Input the setting code. (A 5) | Input the setting code. (A 6)



Illumination Blinking Bleep

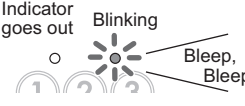
Inputting of illumination time (ex.: 20 seconds) ② ① | Inputting of relay output time (ex.: 99 seconds) ⑨ ⑨ | ① ② ③ | ① ② ③ ①



Illumination Blinking Bleep

During Lockout | During forced entry/output | During lockout and forced entry/output | OFF

- When the (B) key is pressed, the green LED lights up, the buzzer beeps twice, and the system exits the setting mode.
(If the (B) key is included in the user code and the master code, the system does not exit the setting mode.)
- You can continue the setting up operation by entering an arbitrary setting code.



Indicator goes out Blinking Bleep, Bleep

- (※) If the latched status has been set and the door is unlocked, it will not be locked again until the user code is entered (or the request to exit/entry button is pressed, or the (0) key is pressed while timer-linked unlocking is set).
- When the door is unlocked during relay outputting (including when latched), the system cannot be switched to the setting mode.
- If the power is turned off and the (1), (2), and (3) keys are pressed simultaneously while the unlock 1 input status is active (short circuit between terminals PB1 and C), the settings can be returned to their default values by turning the power back on and pressing the (1), (2), and (3) keys simultaneously for 3 seconds.
- When setting the external output, do not set the relay 2 output to be latched.

Input the master code twice.
(Default : 1 2 3 4 1 2 3 4)

VIII Lockout (Default: OFF)	IX Auto-relock (Anti-tailgate) (Default: OFF)	X Timer-linked unlocking setting (Default: relay 1, OFF)	XI Operation sound settings (Default: ON)
--------------------------------	---	---	--

Input the setting code. A 7	Input the setting code. A 8	Input the setting code. A 9	Input the setting code. A A
Illumination Blinking 	Illumination Blinking 	Illumination Blinking 	Illumination Blinking

OFF	ON	OFF	ON	Relays 1 and 2 are both linked	Only relay 1 is linked	Only relay 2 is linked	Operation tone OFF	Operation tone ON
0	1	0	1	0	1	2	0	1
Illumination Blinking 	Illumination Blinking 	Illumination Blinking 	Illumination Blinking 	Illumination Blinking 	Illumination Blinking 	Illumination Blinking 	Illumination Blinking 	Illumination Blinking

Inputting the number of operations
(ex. : 10 times)
10 -99

1 0

Illumination Blinking

Inputting length of time in "Lockout" mode
(Ex.: 10 seconds)
10 - 99

1 0

Illumination Blinking

0 key illumination OFF while timer is on

1 key illumination ON while timer is on

0 1

Illumination Blinking

- When the **(B)** key is pressed, the green LED lights up, the buzzer beeps twice, and the system exits the setting mode.
(If the **(B)** key is included in the user code and the master code, the system does not exit the setting mode.)

- You can continue the setting up operation by entering an arbitrary setting code.

- When the relay 1 output time is set to latched output, the auto-relock function is disabled.
- When the auto-relock function is turned on, the unlock function of the request to exit/entry button of relay 2 is disabled.
- If the 0 key illumination function is turned on while the timer is on, only the 0 key illumination will light up, even if the "key illumination time setting" is set to "Indicator is continually lit".

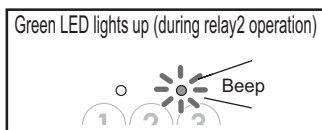
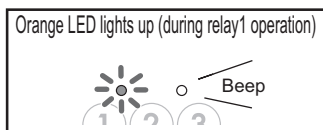
OPERATIONS

A. Unlocking of user code

When the registered user code has been input using the keypad (between 4 and 6 digits), the LED indicator (group 1: orange, group 2: green) lights up, the buzzer sounds, and the electric door strike is unlocked.

ex.): group 1
1006

group 2
04B2



- The time interval during which the button must be pressed is approximately 10 seconds. If the time interval exceeds approximately 10 seconds, the input value will be cleared.
- If you make a mistake when inputting the user code, input the user code again.
- When the "Lockout" function has been set, the release function is locked and the input operation is disabled for the specified time (10 ~ 99 seconds) if invalid codes are input a set number of times (10 ~ 99 times). (Reference: "Lockout".) During this time, the key illumination will blink 4 times, the LED (orange) indicator will blink for the set deactivation time, and the buzzer will sound for approximately 3 seconds.

B. Timer-linked unlocking

When the timer-linked unlocking function is active, the door can be unlocked by pressing the **0** key during the set time, while the timer is linked.

The **0** key illumination lights up when the timer is activated by performing the setting.

C. Unlocking using the request to exit/entry button

When leaving the premises, you can activate the electric door strike by pressing the request to exit/entry button connected to the unit. Pressing request to exit/entry button 1 releases relay 1, and pressing request to exit/entry button 2 releases relay 2.

- When the door is unlocked using the request to exit/entry button, the LED will not light up and the buzzer will not sound.

TECHNICAL PRECAUTIONS

- Operating temperature: Between -10°C and 60°C (14°F to 140°F)
- Cleaning: Clean the unit with a soft cloth dampened with a neutral household cleanser. Do not use any abrasive cleanser or cloths.
- The unit is weather resistant. However do not spray high pressure water on access control keypad directly. Excessive moisture may cause problems with the unit.
- Press and release the **7**, **0**, **8**, and **B** keys simultaneously when this unit does not work.

※)The LEDs (orange and green) will blink and the buzzer will sound, and then resetting will take place. (The settings do not return to their default values.)

- If resetting does not work, contact the service technician who installed the unit.

SPECIFICATIONS

- Power supply: 12 ~ 24V AC
12 ~ 24V DC
- Power consumption: DC: Max. 70mA
AC: Max. 100mA
- Dimensions: 95.2(H) × 110(W) × 29.3(D)mm
H 3-2/3" x W 4-5/16" x D 1-1/8"
- Weight: approx. 330g (0.72lbs)
- Number of relay circuits: 2
- Relay contact: N/O, N/C
- Relay contact capacity: 24V DC, 3A (resistive load)
1A (inductive load)
24V AC, 3A (resistive load)
1A (inductive load)

WARRANTY

Aiphone warrants its products to be free from defects of material and workmanship under normal use and service for a period of one year after delivery to the ultimate user and will repair free of charge or replace at no charge, should it become defective upon which examination shall disclose to be defective and under warranty. Aiphone reserves unto itself the sole right to make the final decision whether there is a defect in materials and/or workmanship; and whether or not the product is within the warranty. This warranty shall not apply to any Aiphone product which has been subject to misuse, neglect, accident, or to use in violation of instructions furnished, nor extended to units which have been repaired or altered outside of the factory. This warranty does not cover batteries or damage caused by batteries used in connection with the unit. This warranty covers bench repairs only, and any repairs must be made at the shop or place designated in writing by Aiphone. Aiphone will not be responsible for any costs incurred involving on site service calls. Aiphone will not provide compensation for any loss or damage incurred by the breakdown or malfunction of its products during use, or for any consequent inconvenience or losses that may result.

FCC

This device complies with Part 15 of the FCC Rules.

Operation is subject to the following two conditions:

- (1) this device may not cause harmful interference, and
- (2) this device must accept any interference received, including interference that may cause undesired operation.

Free Manuals Download Website

<http://myh66.com>

<http://usermanuals.us>

<http://www.somanuals.com>

<http://www.4manuals.cc>

<http://www.manual-lib.com>

<http://www.404manual.com>

<http://www.luxmanual.com>

<http://aubethermostatmanual.com>

Golf course search by state

<http://golfingnear.com>

Email search by domain

<http://emailbydomain.com>

Auto manuals search

<http://auto.somanuals.com>

TV manuals search

<http://tv.somanuals.com>