

KC-IFA Network Video Interface Adaptor

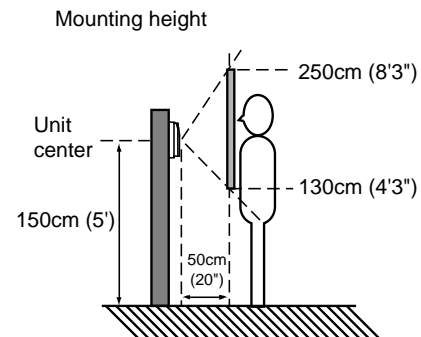
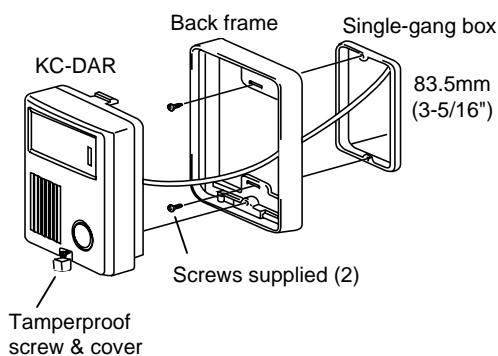
KCS-IFA Set includes:
KC-IFA, KC-DAR, PS-2420UL

- INSTRUCTIONS -

The KC-IFA is a network video interface adaptor that allows the Aiphone color video door station to be connected through a video server (not supplied by Aiphone) to any PC connected to a LAN or WAN network. This provides audio and video identification and access control for a person at the camera location, answered from a PC.

DOOR STATION INSTALLATION:

1. The KC-DAR should be mounted between 48-52" above finished floor, or at optimum height for the application. (See illustrations below.)
2. Install KC-DAR to 1-gang box or ring, or directly to wall surface with appropriate hardware.
3. Use 2 conductor, 18AWG non-shielded wire from KC-DAR to KC-IFA. (Aiphone #871802)



The KCS-IFA System interfaces with a Network Video Server.

Aiphone has evaluated and approved the following manufactures' products for use with the KC-IFA:

BRAND: Inscaped Data	MODEL: NVS-410	NOTES: Two relay outputs (One for door release) Software Included
--------------------------------	--------------------------	--

NVS-410



<http://www.inscapedata.com/pdf/nvs410.pdf>

VCS	VIP 10	One relay output for door release
-----	--------	-----------------------------------

VIP10



http://www.controlware.de/cwp/daten/PDFs/Datenblatt_VIP10.pdf

NOTE: RS232 programmable relay controller can be interfaced with most video servers to control The Tilt function of the video door station. Contact Technical Support for more information.

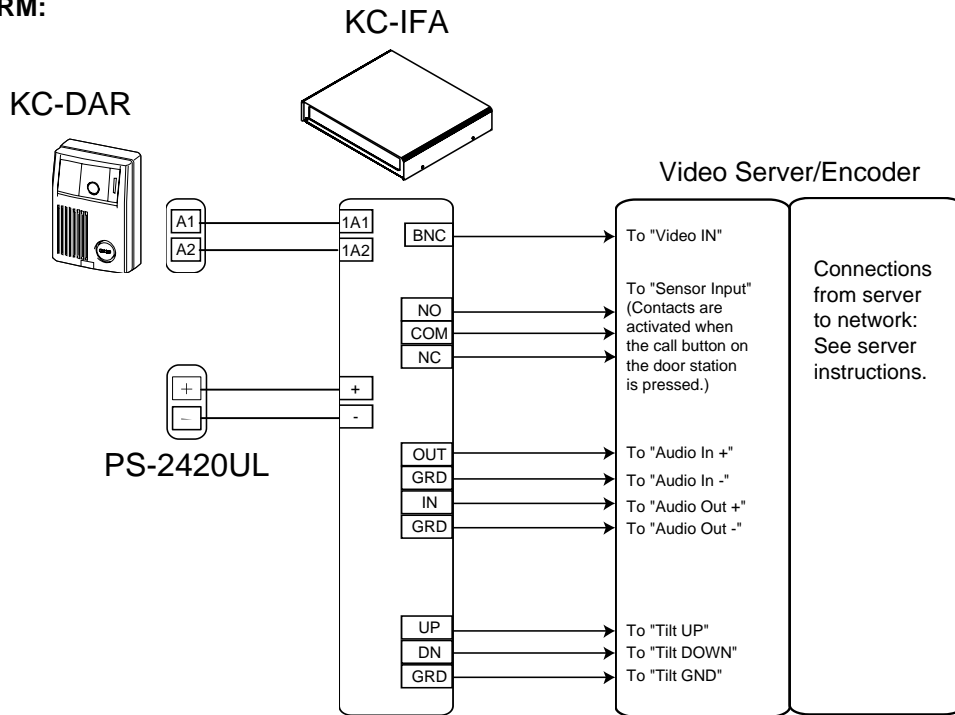
TERMINAL DEFINITIONS:

A1/A2:	KC-DAR Connection
+/-:	DC 24V Input
BNC Connector:	Video Output
NO,NC,COM:	Call-in Output
OUT/GND:	Audio Output
IN/GND:	Audio Input
UP:	Tilt Control Up ("Lo" active)
DN:	Tilt Control Down ("Lo" active)
GND:	Tilt Control Ground

SPECIFICATIONS:

Power Source:	24VDC, 1A
Consumption	400mA, Max.
Video Out:	NTSC, 1Vp-p
Audio In:	10k Ohm
Audio Out:	600 Ohm
Call-in Signal:	N/O – COM – N/C, 24V DC@ 1A (Present at .5 sec.; adjustable to 30 sec.)
Tilt Up/Down:	TTL/CMOS low level control
Weight:	4.3 lbs
Dimensions:	1.7"H x 7.9"W x 9"D
KC-DAR to KC-IFA:	2 parallel wires, non-polarized (#871802) 22 AWG = 165', 18 AWG = 330'

WIRING DIAGRM:



NOTE:

If the video server used does not provide relay outputs for Tilt control, the KC-DAR will remain in a level fixed position. Upward angle adjustment can be made at the time of installation. If the video server supports RS232 for PTZ, an RS232 networkable Relay controller can be added for this function.

WIRING CONNECTIONS:

1. KC-DAR connects to KC-IFA on 1A1/1A2 terminals with 18AWG non-shielded wire.
2. Power supply (PS-2420UL) connects to KC-IFA on +/- terminals.
3. Composite video output from KC-IFA is from the BNC connector.
4. When call button on KC-DAR is pressed NO, COM, NC terminals are activated. Use proper contact (NO or NC) to connect to sensor input on video server. This will signal that the video door station has been activated.
5. OUT/GND terminals are the audio output from the video door station and connect to the audio input on the video server.
6. IN/GND terminals are the audio input from the video server to the video door station. Connect to audio output of video server.
7. UP/DN/GND terminals are for adjusting the "tilt" function of the video door station. By providing a short or relay closure to UP/GND, the camera will move up (for the duration of the closure or until it reaches the top). A short of relay closure to DN/GND will move the camera down, or to the level position.

ADJUSTMENTS:

CALL-IN CLOSURE TIME:

1. Remove KC-IFA cover.
2. Locate VR-401 (See Illustration to right)
3. Adjust VR-401 to appropriate time.

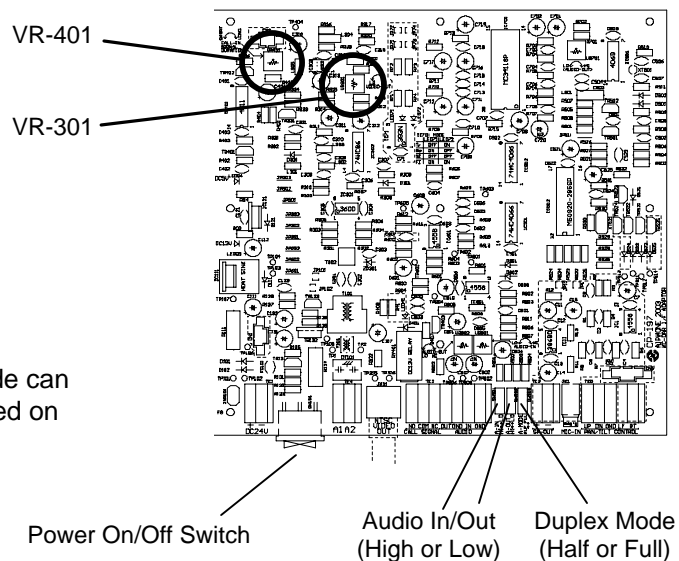
VIDEO SIGNAL LEVEL:

1. Remove KC-IFA cover.
2. Locate VR-301 (See illustration to right)
3. Adjust VR-301 to appropriate level.

VOICE LEVELS:

Incoming and outgoing volume levels and duplex mode can be adjusted. These adjustments would be made based on video server requirements.

Circuit Board inside KC-IFA CP-197 (Component Side)



FCC Class B Verification

NOTE: This equipment has been tested and found to comply with the limits for a Class B digital device, pursuant to Part 15 of the FCC Rules. These limits are designed to provide reasonable protection against harmful interference in a residential installation. This equipment generates, uses, and can radiate radio frequency energy and, if not installed and used in accordance with the instructions, may cause harmful interference to radio communications. However, there is no guarantee that interference will not occur in a particular installation. If this equipment does cause harmful interference to radio or television reception, which can be determined by turning the equipment off and on, the user is encouraged to try and correct the interference by one or more of the following measures:

- Reorient or locate the receiving antenna.
- Increase the separation between the equipment and receiver.
- Connect the equipment into an outlet on a circuit different from that to which the receiver is connected.
- Consult the dealer or an experienced radio/TV technician for help.

Aiphone Communication Systems
1700 130th AVE NE
Bellevue, WA 98005
(425) 455-0510
FAX (425) 455-0071

TOLL FREE TECHNICAL SUPPORT
(800) 692-0200
TOLL FREE FAX LINE
(800) 832-3765
E-MAIL: tech-serv@aiphone.com

Pg. 3
KC-IFA Inst.
1005JD

Free Manuals Download Website

<http://myh66.com>

<http://usermanuals.us>

<http://www.somanuals.com>

<http://www.4manuals.cc>

<http://www.manual-lib.com>

<http://www.404manual.com>

<http://www.luxmanual.com>

<http://aubethermostatmanual.com>

Golf course search by state

<http://golfingnear.com>

Email search by domain

<http://emailbydomain.com>

Auto manuals search

<http://auto.somanuals.com>

TV manuals search

<http://tv.somanuals.com>