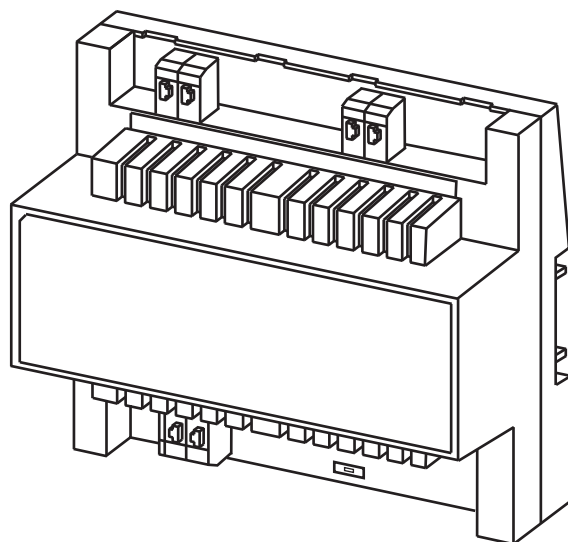




# JKW-BA

**Long Distance Adaptor for JK Series**  
**Adaptateur longue distance pour la série JK**  
**Adaptador de larga distancia para la Série JK**  
**Langeafstandsadapter voor reeks JK**  
**Adattatore per grandi distanze per la serie JK**



## JKW-BA

*Long Distance Adaptor for JK Series*  
*Adaptateur longue distance pour systèmes*  
*d'entrée vidéo couleur JK*  
*Adaptador de larga distancia para sistemas de*  
*entrada de video a color JK*  
*Langeafstandsadapter voor kleuren-*  
*videofoniesystemen JK*  
*Adattatore per grandi distanze per la serie JK*

**INSTALLATION MANUAL**  
**MANUEL D'INSTALLATION**  
**MANUAL DE INSTALACIÓN**  
**INSTALLATIEHANDLEIDING**  
**MANUALE D'INSTALLAZIONE**

# PRECAUTIONS

- ⊘ General Prohibitions   
 ⊘ Prohibition to Dismantle the Unit   
 ⊘ Prohibition on Subjecting the Unit to Water   
 ! General Precautions

## ⚠ WARNING

**(Negligence could result in death or serious injury.)**

- ⊘ 1. Do not dismantle or alter the unit. Fire or electric shock could result.
- ⊘ 2. Do not connect any power source other than specified to terminals +, - nor install two power supplies in parallel to single input. Fire or damage to the unit could result.
- ⊘ 3. Keep the unit away from water or any other liquid. Fire or electric shock could result.
- ⊘ 4. Do not connect any terminal on the unit to an AC power line. Fire or electric shock could result.
- ⊘ 5. Do not put any metal or flammable material into the unit through the openings. Fire or electric shock could result.
- ⊘ 6. Do not use power supply with a voltage other than specified. Fire or electric shock could result.

## ⚠ CAUTION

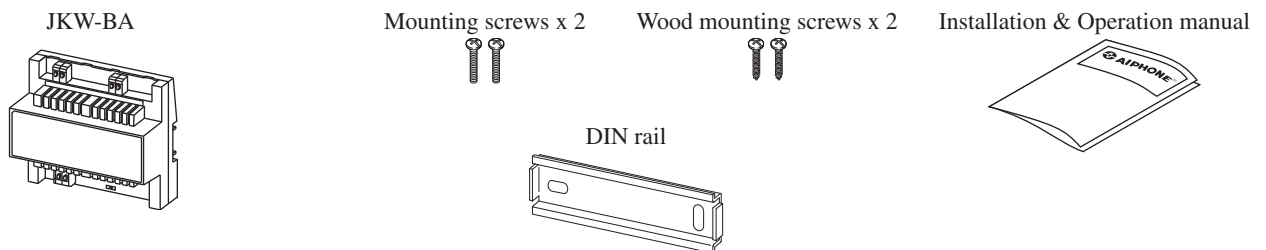
**(Negligence could result in injury to people or damage to property.)**

- ⊘ 1. Do not install or make any wire terminations while power supply is plugged in. It can cause electrical shock or damage to the unit.
- ⚠ 2. Before turning on power, make sure wires are not crossed or shorted. If not, fire or electric shock could result.
- ⚠ 3. When mounting the unit on a wall, install the unit in a convenient location, but not where it could be jarred or bumped. Injury could result.
- ⊘ 4. Do not put anything on the unit or cover the unit with cloth, etc. Fire or unit trouble could result.
- ⚠ 5. For DC power supply, use Aiphone power supply model or model specified for use with system. If non-specified product is used, fire or malfunction could result.
- ⊘ 6. Do not install the unit in any of the following locations. Fire, electric shock, or unit trouble could result.
  - \* Places under direct sunlight, or near heating equipment that varies in temperature.
  - \* Places subject to dust, oil, chemicals, etc.
  - \* Places subject to moisture and humidity extremes, such as bathroom, cellar, greenhouse, etc.
  - \* Places where the temperature is quite low, such as inside a refrigerated area or in front of air-conditioner.
  - \* Places subject to steam or smoke (near heating or cooking surfaces).
  - \* Where noise generating devices such as dimmer switches or inverter electrical appliances are close by.
  - \* Do not install the unit in locations subject to frequent vibration or impact.

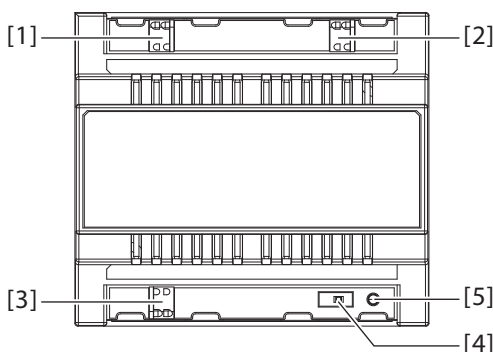
## General Precautions

1. This unit is for indoor use only. Do not use outdoors.
2. If the unit is down or does not operate properly, unplug the power supply or turn off the unit power switch.
3. The unit is for wall-mount use only. For desktop applications, use desk stand.
4. When wall-mounted, the top of the unit may darken. This does not indicate a malfunction.

## 1 PACKAGE CONTENTS



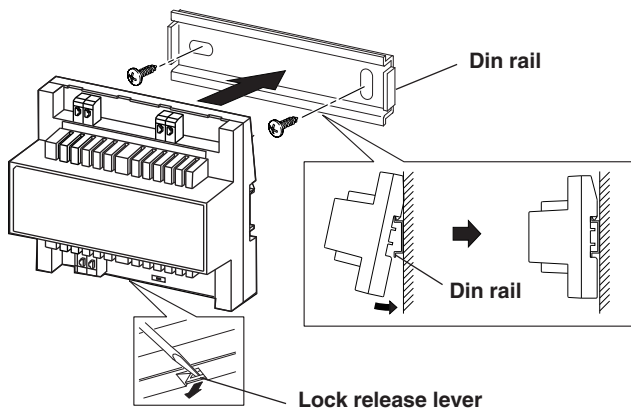
## 2 NAMES



- [1] Master station connection terminals (B1, B2)
- [2] Video door station connection terminals (A1, A2)
- [3] Power terminals (+, -)
- [4] POWER switch
- [5] Pilot lamp (Green)

## 3 MOUNTING

Mount on the din rail and lock.  
Pull down the lock release lever to remove.



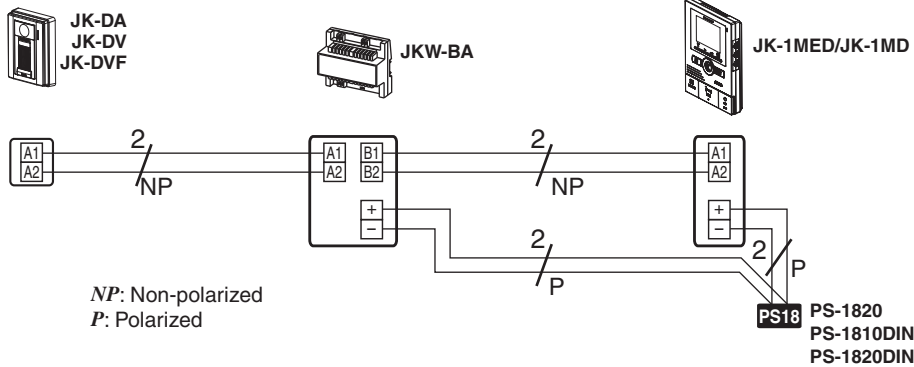
English

Français

Español

## 4 WIRING

### 4-1 WIRING



Nederlands

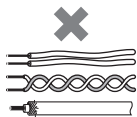
Italiano

### 4-2 Cable

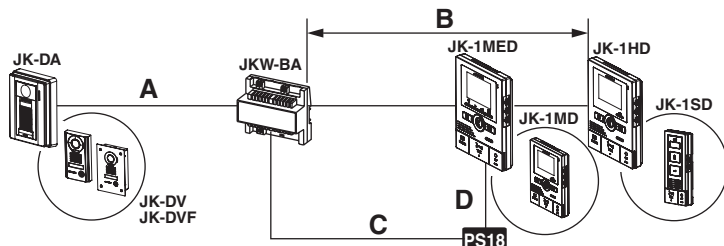
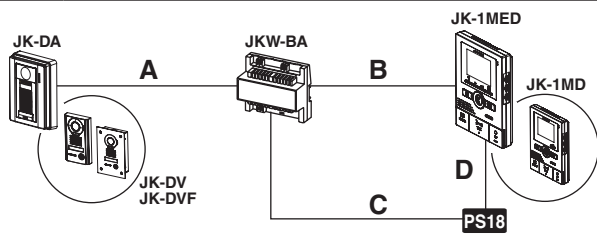
- 1 Use PVC jacket with PE (polyethylene) insulated cable



- 2 Never use individual conductors, twisted pair cable or coaxial cable.



## 4-3 Wiring distance



	Ø 0.65 mm	22 AWG	Ø 1.0 mm	18 AWG
A	100 m	330'	200 m	650'
B	50 m	165'	100 m	330'
C	50 m	165'	100 m	330'
D	5 m	16'	10 m	33'

Connect each of the connecting units with a wiring distance within the values listed in the table above.


If units are connected with wiring distances outside of these ranges, this will adversely affect picture quality.

## 5 SPECIFICATIONS

- Power: DC 18 V
- Current consumption: (Max.) 95 mA
- Operating temperature: 0 °C to 40 °C (+32 °F to +104 °F)
- Dimensions: 109 (H) x 123 (W) x 61 (D) (mm)  
4-1/4 (H) x 4-3/16 (W) x 2-3/8 (D) (inches)
- Weight: Approx. 230 g (0.51 lbs.)

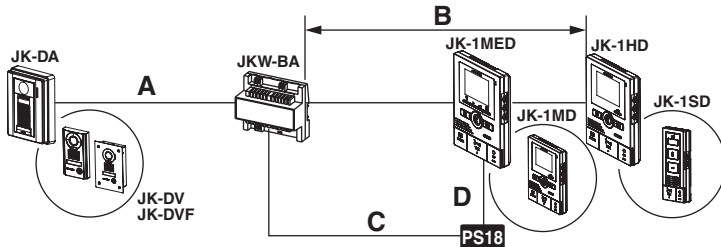
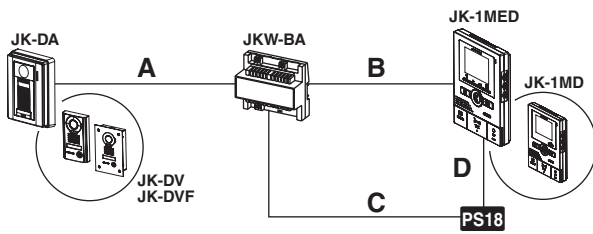
## Warranty

Aiphone warrants that its products have no material or workmanship defects under normal use conditions for two years after delivery to the end user. Aiphone will perform repair or replacement free of charge if the product is defective and the warranty applies to the defect. Aiphone reserves unto itself the sole right to make the final decision whether there is a defect in materials and/or workmanship and whether or not the product is under warranty. This warranty shall not apply to any Aiphone product which has been subject to misuse, neglect, accident, or to use in violation of instructions furnished, nor extended to units which have been repaired or altered outside of the factory. This warranty does not cover batteries or damage caused by batteries used in connection with the unit. This warranty only includes carry-in repairs. Any repairs must be made at the shop or place designated in writing by Aiphone. Aiphone will not be responsible for any costs incurred during on-site service calls. Aiphone will not provide compensation for any loss or damage incurred by the breakdown or malfunction of its products during use, or for any consequent inconvenience or losses that may result.

The object area of  is the EU.

This equipment has been tested and found to comply with the limits for a Class B digital device, pursuant to Part 15 of the FCC Rules. These limits are designed to provide reasonable protection against harmful interference in a residential installation. This equipment generates, uses, and can radiate radio frequency energy, and if not installed and used in accordance with the instructions, may cause harmful interference to radio communications. However, there is no guarantee that interference will not occur in a particular installation. If this equipment does cause harmful interference to radio or television reception, which can be determined by turning the equipment off and on, the user is encouraged to try to correct the interference by one or more of the following measures: · Reorient or relocate the receiving antenna · Connect the equipment into an outlet on a circuit different from that to which the receiver is connected. Increase the separation between the equipment and receiver. · Consult the dealer or an experienced radio/TV technician for help.

## 4-3 Distanza di cablaggio



	Ø 0,65 mm	22 AWG	Ø 1,0 mm	18 AWG
A	100 m	330'	200 m	650'
B	50 m	165'	100 m	330'
C	50 m	165'	100 m	330'
D	5 m	16'	10 m	33'

Collegare ciascuna delle unità di connessione utilizzando un tratto di cablaggio avente una lunghezza che rientra nei valori elencati nella tabella sopra. Se si dovessero collegare le unità con un tratto di cablaggio avente una lunghezza superiore ai valori indicati, ne soffrirebbe la qualità delle immagini.

## 5 SPECIFICHE

- Alimentazione: 18 V CC
- Assorbimento di corrente: (Max.) 95 mA
- Temperatura di funzionamento: da 0 °C a 40 °C
- Dimensioni: 109 (A) x 123 (L) x 61 (P) (mm)
- Peso: Circa 230 g

## Garanzia

La Aiphone garantisce che i suoi prodotti saranno privi di difetti nei materiali o nella lavorazione, in condizioni di utilizzo normali, per un periodo di due anni dalla consegna all'utente finale. La Aiphone eseguirà la riparazione o la sostituzione gratuita del prodotto qualora tale prodotto debba risultare difettoso e la garanzia sia applicabile al difetto rilevato. La Aiphone si riserva il diritto esclusivo di stabilire in via definitiva se sono presenti difetti nei materiali e/o nella lavorazione e se il prodotto è coperto dalla garanzia oppure no. La presente garanzia non è applicabile ad alcun prodotto Aiphone che sia stato sottoposto ad uso improprio, negligenza, incidente, o che sia stato utilizzato in violazione alle istruzioni fornite, né può essere estesa alle unità che sono state riparate o manomesse al di fuori della fabbrica. Questa garanzia non copre le batterie né i danni causati dalle batterie usate in connessione con l'unità. Questa garanzia copre solo le riparazioni del prodotto consegnato presso il punto designato. Le eventuali riparazioni devono essere eseguite presso l'officina o il luogo designato per iscritto dalla Aiphone. La Aiphone non potrà essere ritenuta responsabile di eventuali costi sostenuti in caso di chiamata per l'assistenza sul posto. La Aiphone non offrirà alcun compenso per gli eventuali danni o perdite subiti a causa della rottura o del guasto dei suoi prodotti durante l'uso, o per qualsiasi disagio o perdita conseguente che si dovesse verificare.

L'area oggetto del  è l'UE.

 **AIPHONE**®

*Providing Peace of Mind*

<http://www.aiphone.com/>

AIPHONE CO., LTD., NAGOYA, JAPAN  
AIPHONE CORPORATION, BELLEVUE, WA, USA  
AIPHONE S.A.S., LISSES-EVRY, FRANCE

Printed in Japan

## Free Manuals Download Website

<http://myh66.com>

<http://usermanuals.us>

<http://www.somanuals.com>

<http://www.4manuals.cc>

<http://www.manual-lib.com>

<http://www.404manual.com>

<http://www.luxmanual.com>

<http://aubethermostatmanual.com>

Golf course search by state

<http://golfingnear.com>

Email search by domain

<http://emailbydomain.com>

Auto manuals search

<http://auto.somanuals.com>

TV manuals search

<http://tv.somanuals.com>