

LOUDSPEAKER INTERCOM SYSTEM

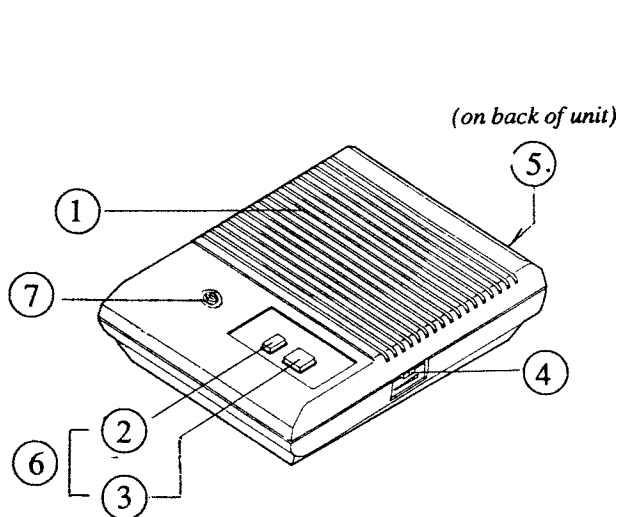
Model;

LEM-1L

(1-call master w/door
release button)

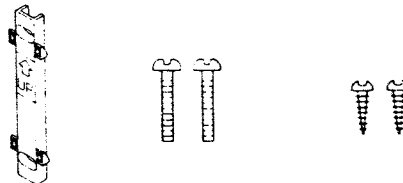
INSTRUCTIONS

1 NAMES AND FUNCTIONS



- ① Speaker/mic.
- ② OFF button
- ③ TALK button
- ④ Communication volume control
- ⑤ Call tone volume control
- ⑥ Call tone by depressing both
TALK & OFF buttons
- ⑦ Door release button

MOUNTING ACCESSORIES;



- Mounting bracket
- Screw(2)(for mounting to electrical box)
- Wood screw(2)(for mounting to wall surface)

2 FEATURES

- * 1-call loudspeaker master with door release button & call tone volume control.
- * Simple 2-conductor wiring.
- * Call a sub by either tone or voice at master.
- * Desk-top or wall-mount installation.
- * Handsfree remote communication at sub/door station.

3 BEFORE YOU INSTALL AND OPERATE THE EQUIPMENT

-Prohibitions & precautions -

Installation

- Do not connect any terminal on any unit to AC power lines.
- Select the installation locations that would not be exposed to temperature/humidity extremes, water, oil, dust, iron dust, flammable and chemical products, etc.
- Use DC 6V power supply specified below. Never apply DC 12V.
- It is suggested to locate a power supply within 5m/16' from the master station.

Operations

- Be sure to depress OFF button at end of every communication.
If you forgot to depress OFF button, your master station can not be called by tone from sub/door station.

Maintenance

- Clean your LEM equipment with a soft cloth dampened with neutral household cleanser.
Never use lacquer thinner, benzine, etc.
- Do not splash water on door station by hose, etc.

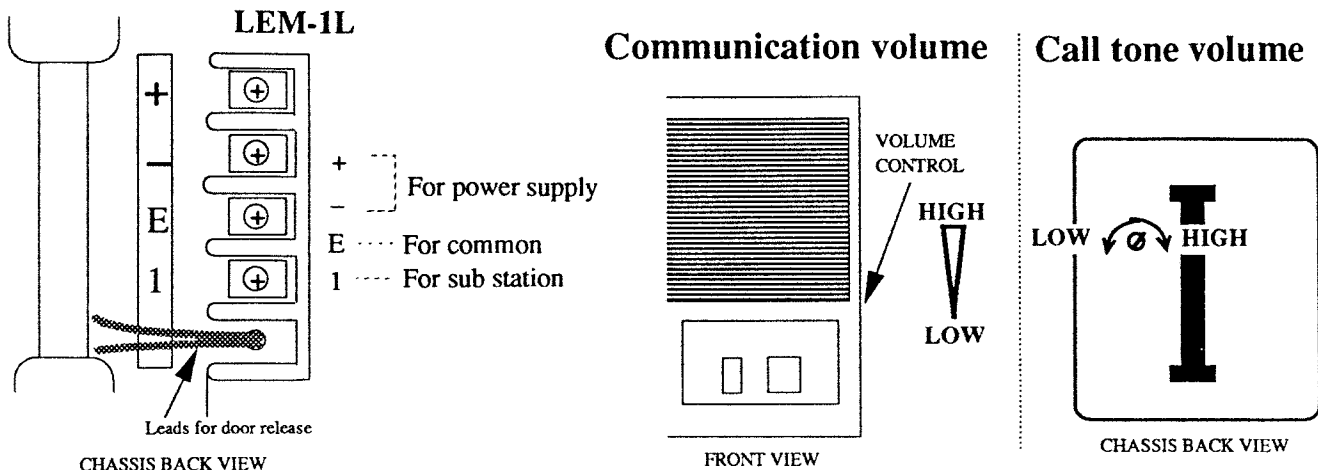
4 SYSTEM COMPONENTS

| MODEL | DESCRIPTION | QTY. | REMARKS |
|------------------------------------------------|---------------------------------------------------------------------------------------------|----------------|--------------------------------------------------------------------|
| * Master station; LEM-1L | 1-call master with door release button | 1 pce | Wall/desk use |
| * Sub station; LE-D LE-DA LE-A | Weather-resistant sub, w/plastic cover - do - w/stainless cover Inside sub, desk/wall | 1 pce | Wall surface-mount or to 1-gang box Flsh-mount to 2-gang box |
| * Power supply; SKK-620 PS-6D | Power supply DC 6V(USA only) Standard power supply | 1 pce | |
| * Door release; EL-9S PT-1210N | Door release, AC 12V, 0.35A Bell transformer for EL-9S | 1 pce 1 pce | |

5 INSTALLATION

Actual terminal location;

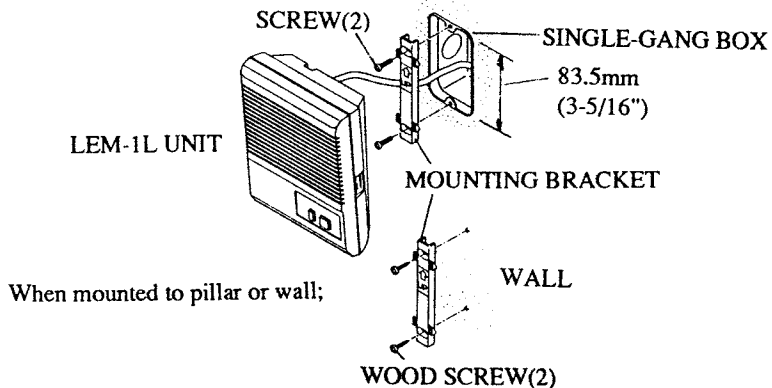
Adjusting volumes;



Wall-mounting;

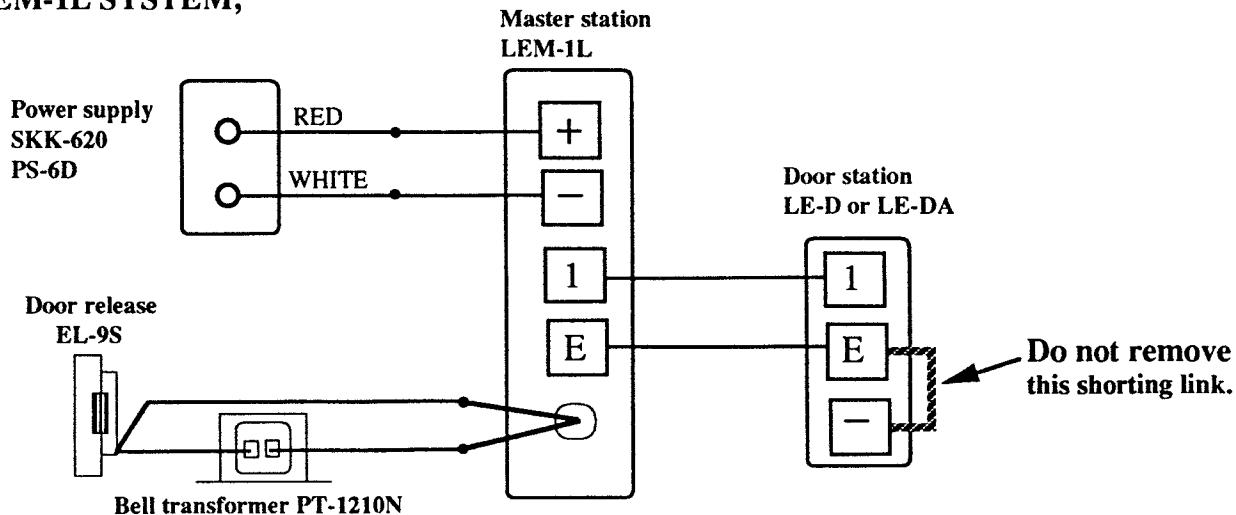
LEM-1L

Slide down and remove the mounting bracket on back of LEM-1L unit. Attach the mounting bracket to single-gang box or wall with the supplied screws or wood screws.



6 WIRING DIAGRAM

LEM-1L SYSTEM;



7

OPERATIONS

Master station; LEM-1L

Be sure that OFF button must be depressed when not in use.

If OFF button is not depressed, sub's call-in will not be signalled by tone at master station.

1. Calling:

To call by tone, depress both OFF and TALK buttons simultaneously.

Call-acknowledged tone is heard softly from your station speaker.

To call by voice, depress TALK button. Control communications by TALK button operation, depress to talk, release to listen. After communication, depress OFF button.

2. Receiving:

Sub station call-in is annunciated by mono tone.

Reply to the sub, by dperessing TALK button, and release to listen to the sub.

3. Activating door release:

After identifying a caller, depress DOOR RELEASE button. The release remains activated while the button is being depressed.

Sub stations: LE-D, LE-DA, etc.

1. Calling:

Momentarily depress CALL button. The call-acknowledged tone can be heard softly from sub's speaker. The call tone signals master while call button is being depressed. When master replies, communicate handsfree.

2. Receiving:

When master calls, simply reply handsfree.

On LE-AN privacy sub, depress CALL button to release PRIV. button, and reply handsfree. After communciation, depress PRIV. button.

8

SPECIFICATIONS

| | | | | | | | | | | | | | | | | | | | | | | | | | | | | | | |
|-----------------------------------|-------------------------------------------------------------------------------------------------------------------------------------------------------------------------------------------------------------------------------------------------------------------------------------------------------------------------------------------------------------------------------------------------------------------------------------------------|--------|-------|-------|-------|--|----------|-------|--------|-------|-------|-------|----------|------|------|------|------|------|-----|-------|-------|-------|-------|-------|----------|------|------|------|-------|-------|
| * Power source: | DC 6V. Use a power supply SKK-620(in USA) or PS-6D standard except N. America. | | | | | | | | | | | | | | | | | | | | | | | | | | | | | |
| * Current consumption: | Max. 200mA. | | | | | | | | | | | | | | | | | | | | | | | | | | | | | |
| * Calling: | <u>Master to sub;</u> Electronic mono tone or voice <u>Sub to master;</u> Electronic mono tone(w/volume control on master) | | | | | | | | | | | | | | | | | | | | | | | | | | | | | |
| * Communication: | Press-to-talk at master (w/communication volume control at master) | | | | | | | | | | | | | | | | | | | | | | | | | | | | | |
| * Communication output: | 350mW | | | | | | | | | | | | | | | | | | | | | | | | | | | | | |
| * Wiring: | 2 wires per sub(non-polarized) 2 wires for door release | | | | | | | | | | | | | | | | | | | | | | | | | | | | | |
| * Wiring distance: | <table border="1"> <tr> <td>Diameter</td> <td>0.5mm</td> <td>0.65mm</td> <td>0.8mm</td> <td>1.0mm</td> <td>1.2mm</td> </tr> <tr> <td>Distance</td> <td>120m</td> <td>200m</td> <td>300m</td> <td>480m</td> <td>720m</td> </tr> <tr> <td>AWG</td> <td>24AWG</td> <td>22AWG</td> <td>20AWG</td> <td>18AWG</td> <td>16AWG</td> </tr> <tr> <td>Distance</td> <td>390'</td> <td>650'</td> <td>980'</td> <td>1570'</td> <td>2360'</td> </tr> </table> | | | | | | Diameter | 0.5mm | 0.65mm | 0.8mm | 1.0mm | 1.2mm | Distance | 120m | 200m | 300m | 480m | 720m | AWG | 24AWG | 22AWG | 20AWG | 18AWG | 16AWG | Distance | 390' | 650' | 980' | 1570' | 2360' |
| Diameter | 0.5mm | 0.65mm | 0.8mm | 1.0mm | 1.2mm | | | | | | | | | | | | | | | | | | | | | | | | | |
| Distance | 120m | 200m | 300m | 480m | 720m | | | | | | | | | | | | | | | | | | | | | | | | | |
| AWG | 24AWG | 22AWG | 20AWG | 18AWG | 16AWG | | | | | | | | | | | | | | | | | | | | | | | | | |
| Distance | 390' | 650' | 980' | 1570' | 2360' | | | | | | | | | | | | | | | | | | | | | | | | | |
| * Dimensions(H x W x D) & weight: | <u>LEM-1L;</u> 160 x 132 x 51mm; 6-5/16" x 5-3/16" x 2" Approx. 300g(0.66 lbs.) | | | | | | | | | | | | | | | | | | | | | | | | | | | | | |

AIPHONE CO., LTD., NAGOYA, JAPAN
AIPHONE CORPORATION,
1700 130th Ave. N.E., BELLEVUE WA 98005
phone 206-455-0510 WA U.S.A.



COMMUNICATION SYSTEMS
AIPHONE
HOME, BUSINESS, INDUSTRY

Free Manuals Download Website

<http://myh66.com>

<http://usermanuals.us>

<http://www.somanuals.com>

<http://www.4manuals.cc>

<http://www.manual-lib.com>

<http://www.404manual.com>

<http://www.luxmanual.com>

<http://aubethermostatmanual.com>

Golf course search by state

<http://golfingnear.com>

Email search by domain

<http://emailbydomain.com>

Auto manuals search

<http://auto.somanuals.com>

TV manuals search

<http://tv.somanuals.com>