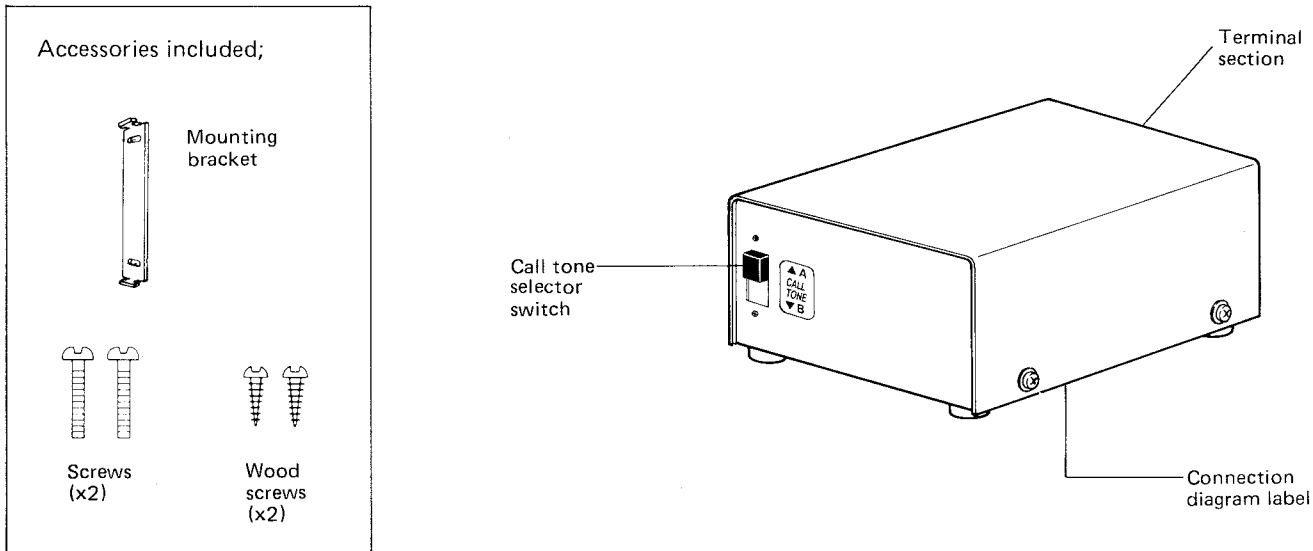


DOOR STATION ADAPTOR

MODEL: **DD-UR** with door release control relay output

INSTALLATION MANUAL



1 FEATURES

1. DD-UR door station adaptor is designed for use with Aiphone TD-H and TD-Z systems.
2. One DD-UR adaptor is required for each door station.
3. Variety of door stations to match the entrance decor from the IC-series door stations.

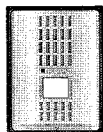
- **IC-series door stations;**

ID-DA	With plastic & anodized aluminum cover, Surface mount.
ID-NC	— do —, Semi-flush mount.
IC-DC	With plastic cover, Surface mount. (*)
IC-NA	— do —, Semi-flush mount.
IC-RA	With metal cover, Semi-flush mount.
IC-KA	— do —, Semi-flush mount.
IC-JA	With stainless steel cover, Flush-mount.
IC-FY	With aluminum cover, Flush-mount. (*)
IC-DA-R	With plastic cover, Surface mount.

- **Deluxe surface mount type with anodized aluminum panel**

IC-D1	1-call. (*)
IC-D2	2-call. (*)
IC-D3	3-call. (*)
IC-DL1	1-call, with illumination lamp
IC-DL2	— do —, 2-call.
IC-DL3	— do —, 3-call.

(*) Not available in U.S.A.



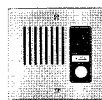
IC-DA-R



ID-DA



ID-NC



IC-JA



IC-D1



IC-D2

4. Maximum 2 door stations per system (TD-H, TD-Z systems). Call tone from door station can be changed by the selector switch provided; set to 'A' for intermittent tone and to 'B' for continuous tone. Call tone signals for approximately 5 seconds at maximum 12 room stations. Includes door release control relay output.

2

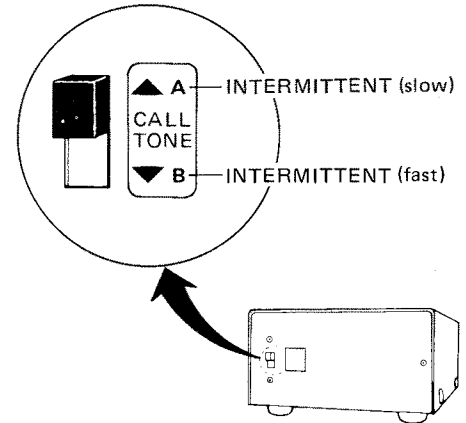
BEFORE YOU INSTALL AND OPERATE THE EQUIPMENT – Prohibitions and precautions –

*Installation;

1. DO NOT CONNECT ANY TERMINAL ON ANY UNIT TO AC POWER LINES.
2. Be sure not to plug PS-12A (or PS-12C) power supply into AC receptacle until you complete wiring connections, and unplug before opening the unit.
3. Select the installation locations that would not be exposed to temperature/humidity extremes, water, oil, dust, iron dust, inflammable and chemical products, etc.
4. Do not pinch connecting wires in windows, doors or desks.

*Operation;

1. DD-UR call tone selector switch is pre-set to upper A position. When your TD-H or TD-Z system (without CT-Z used) includes two door stations, set the switch to 'A' position for slow intermittent call tone on one DD-UR, and to 'B' position for fast intermittent call tone on the other.
2. Momentarily depress call button on door station, which can signal room stations for a few seconds. Call-in from other room station is annunciated by continuous tremolo tone, which lasts while CALL button is being depressed.
3. On TD-24H/24HW station, it is suggested that a number button A1 ~ A12 should not be assigned for door station. It becomes necessary to use CALL A button, after selecting a number button.



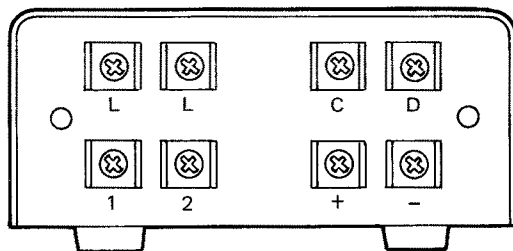
*Unit selection;

1. Door station adaptor can not be used in a TD-Z system home run-wired to CT-Z central terminal board. (Terminal D is not provided on CT-Z).
2. DD-UR adaptor can be used with TB-H system, but not with TB-F system.
3. DD-UR adaptor must be powered by PS-12A (or PS-12C) power supply, and not PS-12S.

3

INSTALLATION

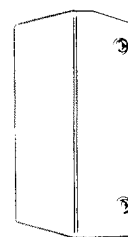
(1) Actual terminal location;



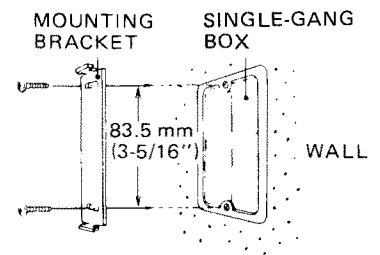
- L**, **L** : for connecting door release.
- C** : for connecting to number terminal (TD-H/TD-Z).
- D** : for connecting to **D** terminal (TD-H/TD-Z).
- 1**, **2** : for connecting door station.
- +**, **-** : for connecting power supply PS-12A (or PS-12C).

(2) Wall-mounting installation;

DD-UR is shipped with the mounting bracket. Attach the mounting bracket to single-gang box or to wall/rack, with the supplied screws. Insert the prongs of the bracket into the holes of the body and pull the body downward.



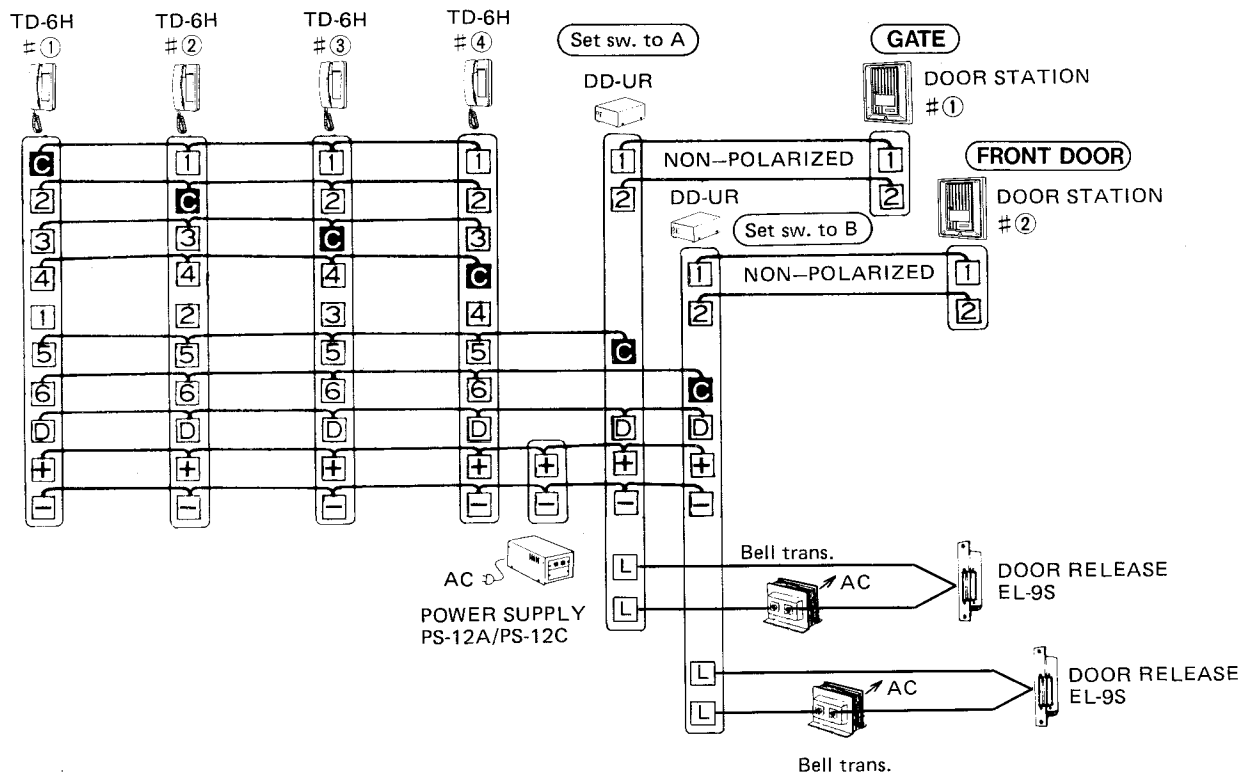
DD-UR



4

WIRING DIAGRAMS

(1) TD-6H SYSTEM WITH TWO DOOR STATIONS (GATE AND FRONT DOOR)



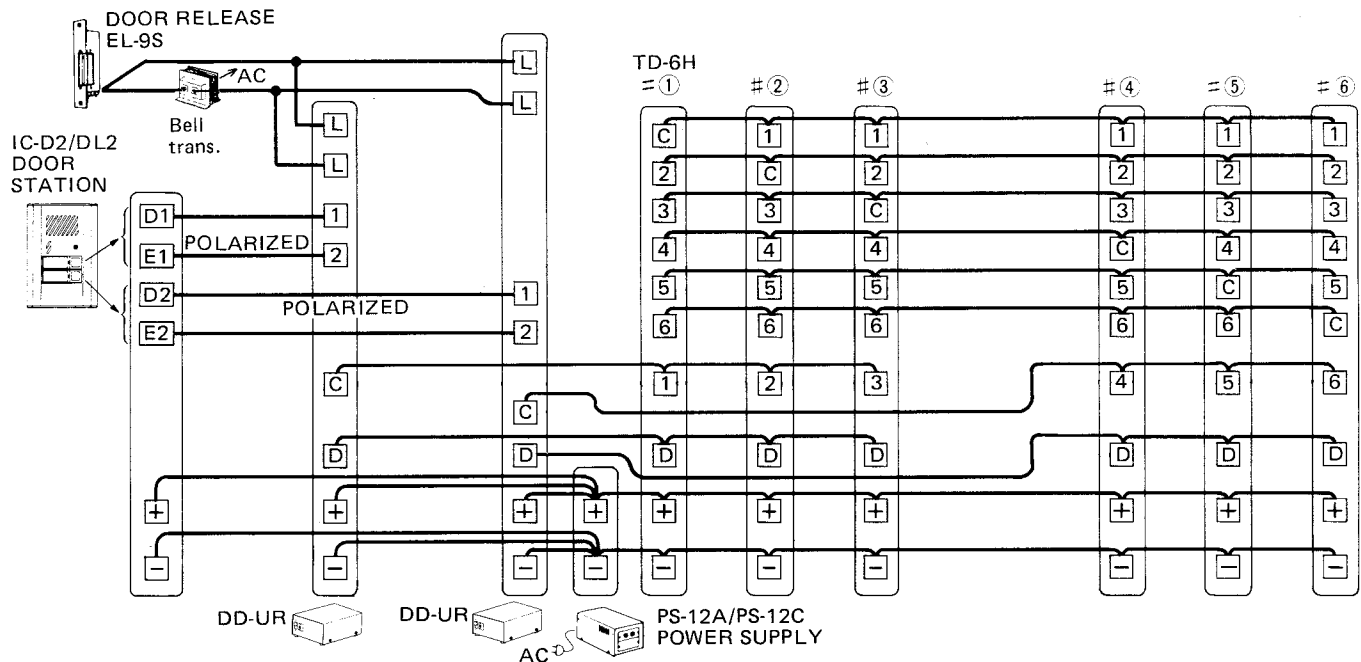
- ① Maximum 2 door stations per system. Can signal maximum 12 master stations (except TD-1H).
- ② Assign a number button for each door station. Number button **5** connects to door station #①, and number button **6** to door station #②.
- ③ Set the call tone selector switch to 'A' position on one DD-UR (for slow intermittent tone) and to 'B' position on the other DD-UR (for fast intermittent tone).
- ④ Door station call signals max. 12 master stations. To reply to a door station call, pick up handset, depress a corresponding number button (and CALL A button if A1 ~ A12 is assigned for door station on TD-24H/24HW). On TD-Z station, momentarily depress CALL button after selecting the number button. While holding handset, depress and hold PAGE button to activate the door release.
- ⑤ DD-UR adaptor must be powered by PS-12A/PS-12C power supply directly, as shown above. Locate DD-UR within 10 m (30') from PS-12A (PS-12C) power supply.

NOTES;

TD-Z system allows two door stations to be connected in exactly the same manner as TD-H system.

TD-Z system connected in home run wiring to CT-Z central terminal board, CANNOT ACCEPT door station.

(2) TD-6H SYSTEM w/IC-D2,-DL2 2-CALL DOOR STATION



- (1) The upper CALL button signals TD-6H stations Nos. 1~3. The lower CALL button signals TD-6H station Nos. 4~6.
- (2) Calling and communication are available between any pair of TD-6H stations.
- (3) IC-D2/DL2 power supply line can be extended from the TD-6H system's power supply PS-12A/PS-12C.
- (4) Locate DD-UR within 10 m (30') of PS-12A (PS-12C) power supply.
- (5) Assign each own station No. button to the door station.

TD-6Z system, when installed in loop, can be wired in exactly the same manner as above TD-6H system.

5

SPECIFICATIONS

- *Power source: DC 12V. Use PS-12A (PS-12C in N. America) power supply.
 - *Current consumption: 120 mA maximum.
 - *Wiring requirements: 2 wires to door station (1 , 2)
4 wires to TD-H/TD-Z master (3 common + , - , D plus one individual C) plus 2 wires for door release EL-9S (L , L).
 - *Wiring distance: Select the proper wire gauge to meet your requirements from the chart below;
- | Diameter of wires | 0.5 mm | 0.65 mm | 0.8 mm | AWG | 24 AWG | 22 AWG | 20 AWG |
|-------------------|--------|---------|--------|--------------|--------|--------|--------|
| Distance (*) | 90 m | 150 m | 230 m | Distance (*) | 300' | 500' | 750' |
- (*) between DD-UR adaptor and door station.
- *Locate DD-UR within 10 m (30') from PS-12A (PS-12C) power supply.
 - *Contact capacity for door release: DC 30V, 1 A or AC 30V, 1 A.
 - *Dimensions: Height: 51.5 mm (2-1/32") x Width: 90 mm (3-9/16") x Depth: 138 mm (5-7/16")
 - *Weight: Approximately 380 g (0.84 lbs.)

WARRANTY

Aiphone warrants its products to be free from defects of material and workmanship under normal use and service for a period of one year after delivery to the ultimate user and will repair free of charge or replace at no charge, should it become defective upon which examination shall disclose to be defective and under warranty. Aiphone reserves unto itself the sole right to make the final decision whether there is a defect in materials and/or workmanship; and whether or not the product is within the warranty. This warranty shall not apply to any Aiphone product which has been subject to misuse, neglect, accident, or to use in violation of instructions furnished, nor extended to units which have been repaired or altered outside of the factory. This warranty does not cover batteries or damage caused by batteries used in connection with the product. This warranty covers bench repairs only, and any repairs must be made at the shop or place designated in writing by Aiphone. Aiphone will not be responsible for any costs incurred involving on site service calls.

Aiphone Co., Ltd., Nagoya, Japan
Aiphone Corporation, Bellevue, Washington

INTERCOM SYSTEMS
AIPHONE
HOME, BUSINESS, INDUSTRY

Free Manuals Download Website

<http://myh66.com>

<http://usermanuals.us>

<http://www.somanuals.com>

<http://www.4manuals.cc>

<http://www.manual-lib.com>

<http://www.404manual.com>

<http://www.luxmanual.com>

<http://aubethermostatmanual.com>

Golf course search by state

<http://golfingnear.com>

Email search by domain

<http://emailbydomain.com>

Auto manuals search

<http://auto.somanuals.com>

TV manuals search

<http://tv.somanuals.com>