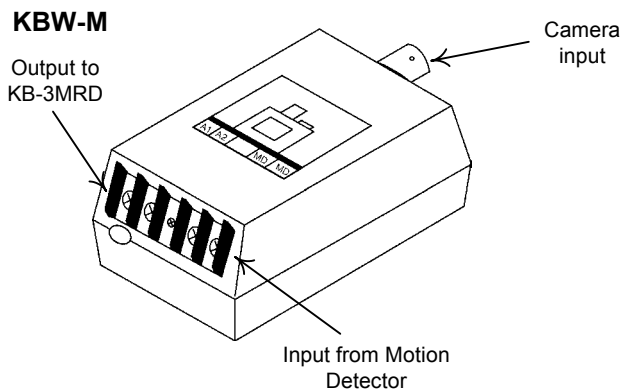


KBW-M

Video Modulator for the KB Series Color Video System

- INSTRUCTIONS -

The KBW-M adaptor converts a standard CCTV camera's signal to a 2-wire signal, compatible with the KB 3x5 Color Video system. This allows the utilization of a color camera on a video input on the KB system, viewable from any monitor in the system. (A camera and KBW-M can be added to any input that is not used by a KB-DAR video door station.)



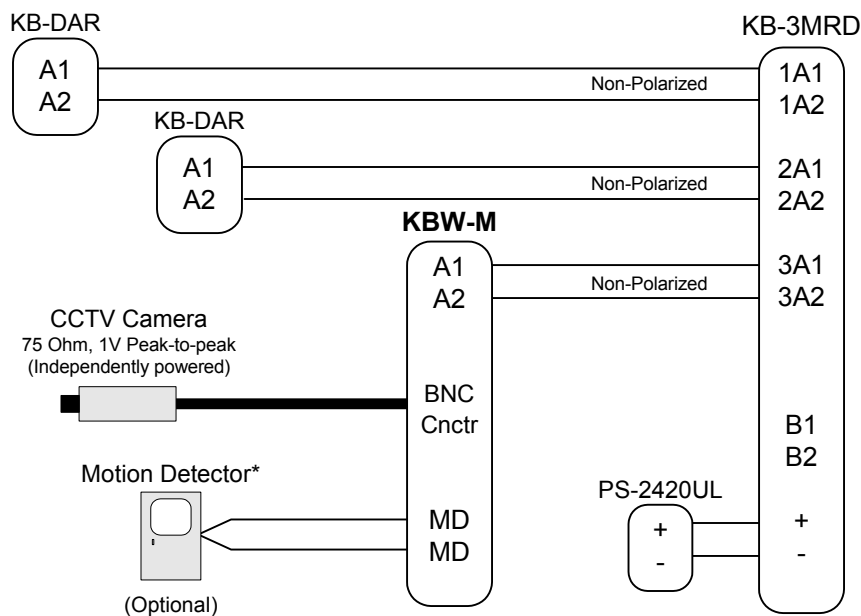
KBW-M TERMINAL DEFINITIONS:

BNC Connector: Coax input from CCTV camera

A1 2-Wire output to
A2 KB-3MRD

MD Input from motion detector
MD (with normally open contacts)

WIRING DIAGRAM: KBW-M Modulator for Standard CCTV camera



NOTES:

1. In this system example, the CCTV camera is on input #3. Cameras are viewed by pressing the MONITOR button (on any monitor.) Press once to turn on camera 1 (KB-DAR), press again to switch to camera 2 (KB-DAR #2). Pressing MONITOR a third time will switch to Camera 3 (CCTV), and a fourth time turns the monitor off.

2. OPTIONAL: An input for a motion detector is provided to activate the CCTV camera. The Monitor will turn on and a chime will be heard. The monitor will stay on for approximately 30 seconds.

* Or any signaling device that provides a **normally open** momentary dry closure.

Motion Detectors with N/O Contacts:

Detection Systems DS720I
Pulnix 6612
Intellisense 8140S
Ademco 1998PI
Sentrol AP750

OPERATIONS

Activation of a camera from a Monitor:

1. The CCTV camera can be viewed on any of the KB monitors in the system by pressing the MONITOR button.
2. The video door stations and/or camera(s) will come up sequentially based on the inputs that they are on. (One press of MONITOR button brings up camera 1, second press brings up camera 2, third press brings up camera 3.)
3. After the last camera in the system is activated, the next press of the MONITOR button will turn off the monitor. If the monitor is left on, it will automatically time out after approximately 30 seconds.

Activation of a camera by the motion detector: (Optional feature)

Any motion detector with a normally open contact can be connected to the KBW-M to activate the CCTV camera.

1. When the motion detector is tripped, the camera will turn on and be viewed on all KB monitors in the system.
2. A chime will be heard, and the appropriate LED will be lit on the monitor(s).
 - Door 1: 4-Stroke Chime and LED #1
 - Door 2: 2-Stroke Chime and LED #2
 - Door 3: 8-Stroke Chime and LED #3
3. The camera will automatically turn off in 30 seconds.

SPECIFICATIONS:

Power:	Supplied by KB-3MRD
CCTV Camera input:	1V Peak-to-Peak at KBW-M
Connector:	BNC Connector
Wire:	Aiphone wire #871802 18AWG, 2-conductor solid, non-shielded, FPLR type
Wiring distance:	(With Aiphone # 871802 wire) Max. 650' from KBW-M to KB-3MRD
Dimensions:	5-1/2"H x 3"W x 1-1/2"D

Note:

Only information pertaining to the connection and operation of the KBW-M and connection of a color CCTV camera is included here. For complete installation, wiring, and operational information about the KB system, please refer to the KB-3MRD Installation Manual.

Aiphone Communication Systems
1700 130th Ave. N.E.
Bellevue, WA 98005
(425) 455-0510
FAX (425) 455-0071

Toll Free Technical Support:
1-800-692-0200
FAX: 1-800-832-3765
E-mail tech-serv@aiphone.com

Pg. 2
KBW-M Instr.
0703bkjs

Free Manuals Download Website

<http://myh66.com>

<http://usermanuals.us>

<http://www.somanuals.com>

<http://www.4manuals.cc>

<http://www.manual-lib.com>

<http://www.404manual.com>

<http://www.luxmanual.com>

<http://aubethermostatmanual.com>

Golf course search by state

<http://golfingnear.com>

Email search by domain

<http://emailbydomain.com>

Auto manuals search

<http://auto.somanuals.com>

TV manuals search

<http://tv.somanuals.com>