

# RACK MOUNT PANEL

# AI-PN100B

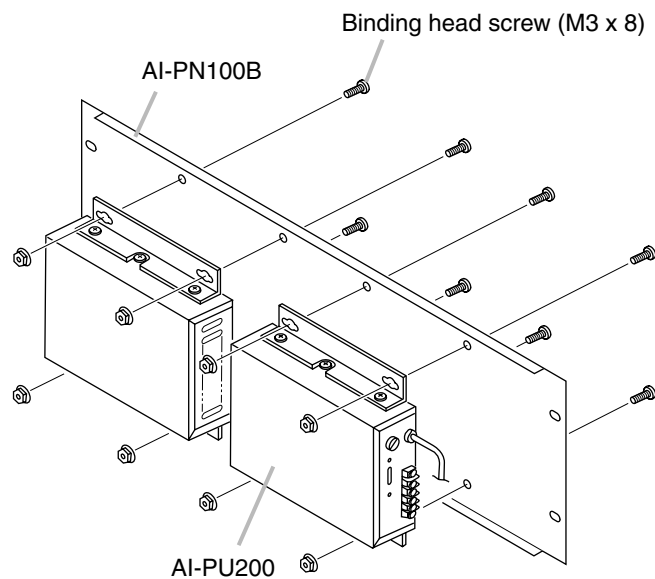
Please follow the instructions in this manual to obtain the optimum results from this unit.  
We also recommend that you keep this manual handy for future reference.

## 1. GENERAL DESCRIPTION

The AI-PN100B provides side-by-side rack mounting capability for up to two AI-PU200 Power Transformer Units.

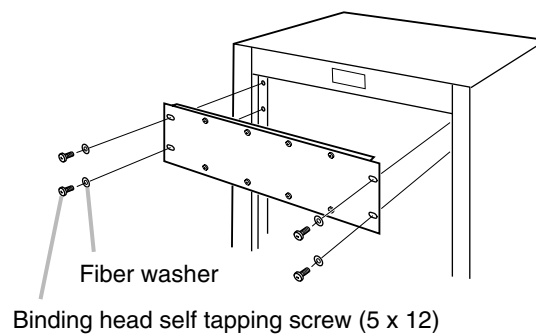
## 2. INSTALLATION

**Step 1.** Attach the AI-PU200 to the AI-PN100B panel.



**Step 2.** Mount the AI-PN100B in a standard equipment rack.

**Note:** Perform terminal wiring before mounting.



## Free Manuals Download Website

<http://myh66.com>

<http://usermanuals.us>

<http://www.somanuals.com>

<http://www.4manuals.cc>

<http://www.manual-lib.com>

<http://www.404manual.com>

<http://www.luxmanual.com>

<http://aubethermostatmanual.com>

Golf course search by state

<http://golfingnear.com>

Email search by domain

<http://emailbydomain.com>

Auto manuals search

<http://auto.somanuals.com>

TV manuals search

<http://tv.somanuals.com>