

# PAA-100F

## Supplemental Regulator Unit

For RCX-88 and RCX-128 Systems that include the ALL CALL Feature

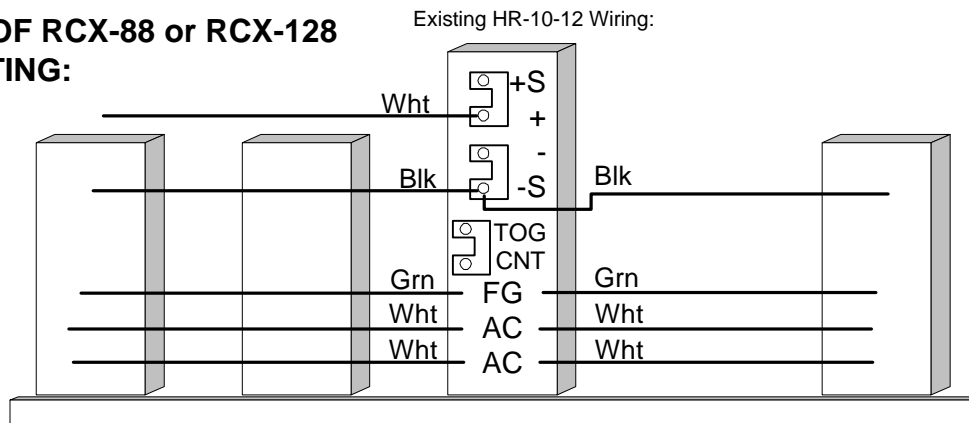
### - INSTRUCTIONS -

The RCX-88 and RCX-128 Systems have the All Call feature as an option. This option requires more power than the standard CEU provides. The PAA-100F Supplemental Regulator Unit provides the necessary power to operate the system and the All Call feature. This unit replaces the HR-10-12 power source that comes standard in the RCX-88 and RCX-128.

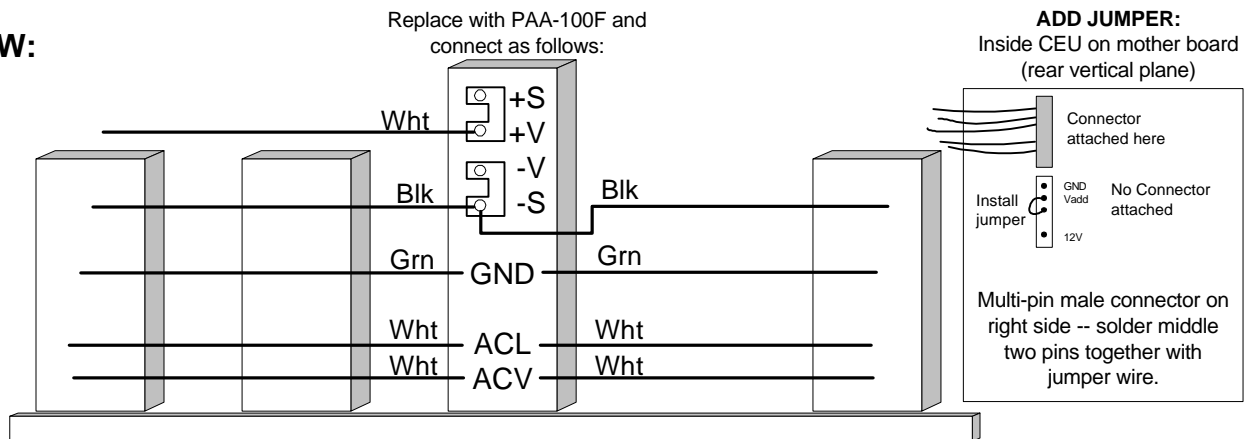
#### INSTALLATION:

1. Locate existing HR-10-12 at the top of the RCX-88 or RCX-128.
2. Mark wires with terminal locations before disconnecting, then disconnect and remove the unit.
3. Remove the aluminum plate from the bottom of the HR-10-12 and reattach it to the bottom of the PAA-100F. Install the new regulator unit in place of the original one.
4. Reconnect the wires to the PAA-100F in the same way that they were connected previously.  
Note some of the terminal definitions are labeled slightly differently, but they have the same function.

#### TOP OF RCX-88 or RCX-128 EXISTING:



#### NEW:



#### NOTE:

Only wiring concerning the supplemental regulator unit is shown here. For complete installation and wiring information, please see the complete RCX Installation instructions.

## Free Manuals Download Website

<http://myh66.com>

<http://usermanuals.us>

<http://www.somanuals.com>

<http://www.4manuals.cc>

<http://www.manual-lib.com>

<http://www.404manual.com>

<http://www.luxmanual.com>

<http://aubethermostatmanual.com>

Golf course search by state

<http://golfingnear.com>

Email search by domain

<http://emailbydomain.com>

Auto manuals search

<http://auto.somanuals.com>

TV manuals search

<http://tv.somanuals.com>