

LS-NVP/C

Vandal Proof Sub Station for LAF-C, LEF, LEM, AP-M, MP-S Systems

SBX-NVP

Surface Mount Box for LS-NVP/C

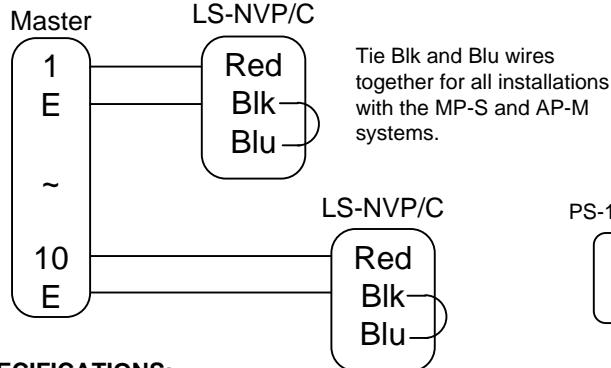
- INSTRUCTIONS -

The LS-NVP/C is a vandal proof and weather resistant sub station designed for use with the systems listed above. It's constructed of 12 gauge carbon steel with a white powder-coated finish. The LS-NVP/C mounts vertically, either flush into a 3-gang masonry box, or surface mounted with the SBX-NVP. Each unit includes tamper proof screws and tool for installation.

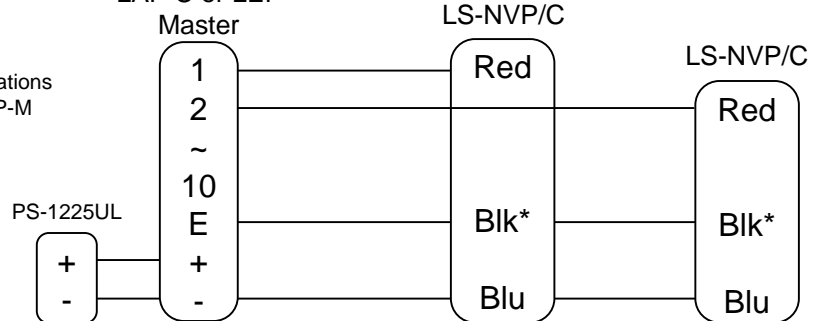


WIRING DIAGRAMS:

AP-M or MP-S



LAF-C or LEF



SPECIFICATIONS:

Power Source:	Supplied by master station
Speaker:	20 ohms, 2.5" diameter, water proof and puncture resistant, 2.4 oz. ceramic magnet
Call Button:	SPST call button. Call tone rings at master as long as button is held down. LED will remain lit for approx. 20 seconds (LEF, LEM-3, MP-3S, AP-5/10M only). Call tone only on LEM-1DL, LEM-1, and MP-1S.
Communication:	Hands free at sub. Master is push-to-talk, release-to-listen.
Faceplate:	12 gauge carbon steel with powder-coated white baked epoxy finish
Mounting:	Flush mount into a 3-gang masonry type box. (Raco model 692 or equivalent.) Surface mount into SBX-NVP, sold separately.
Mounting Hardware:	T10 Torx tamper proof screws and tool included (6x32 for use with flush gang box)
Terminations:	Color-coded prewired pigtails
Wiring:	2 conductors in a 1-master LEF, MP-S, or AP-M system. 3 conductors in multi-master LEF. Shielded cable is recommended. Use Aiphone #822202 for LEM or MP-S. Use #822202 or #822203 for LEF. Use #832202 for AP-M systems.
Wiring Distance:	See system that unit is being used with for distance specifications.
Dimensions (H x W x D):	LS-NVP/C alone: 7-1/2" x 5-1/2" x 2". With SBX-NVP: 8-5/8" x 6-5/8" x 2-1/4"
Mounting Depth:	Provide mounting box with a minimum depth of 2-1/2" to allow space for internal components.

Free Manuals Download Website

<http://myh66.com>

<http://usermanuals.us>

<http://www.somanuals.com>

<http://www.4manuals.cc>

<http://www.manual-lib.com>

<http://www.404manual.com>

<http://www.luxmanual.com>

<http://aubethermostatmanual.com>

Golf course search by state

<http://golfingnear.com>

Email search by domain

<http://emailbydomain.com>

Auto manuals search

<http://auto.somanuals.com>

TV manuals search

<http://tv.somanuals.com>