

NE-NVP (-W)

Vandal Proof Sub Station for NEM System

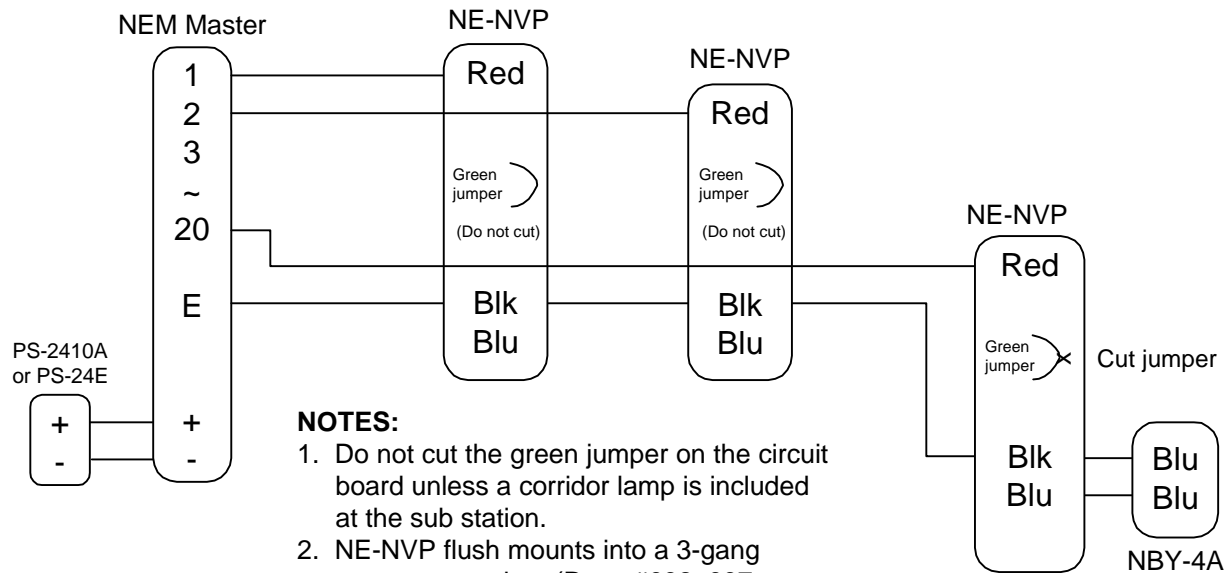
SBX-NVP

Surface Mount Box for NE-NVP

- INSTRUCTIONS -

The NE-NVP is a vandal proof sub station designed for use with the NEM system. The NE-NVP-W is the weather resistant model. It is constructed of 11 gauge carbon steel with a white powder-coated finish. The NE-NVP can be flush or surface mounted and includes tamper proof screws and tool for installation.

WIRING DIAGRAM:



NOTES:

1. Do not cut the green jumper on the circuit board unless a corridor lamp is included at the sub station.
2. NE-NVP flush mounts into a 3-gang masonry type box (Raco #692, 697, or equivalent.)
3. Surface mount box for NE-NVP is model SBX-NVP, sold separately.

SPECIFICATIONS:

Power Source:	Supplied by master station
Speaker:	20 ohms, 3" diameter, water proof and puncture resistant, 2.5 oz. ceramic magnet
Call Button:	Single pole, single throw (SPST), normally open (N/O)
Faceplate:	11 gauge carbon steel with powder-coated white baked epoxy finish
Call Annunciation:	Pressing call button at sub latches call at NEM master until answered
Communication:	Hands free at sub. Master is push-to-talk or VOX handset
Mounting Hardware:	Tamper proof screws
Terminations:	Color-coded prewired pigtails
Wiring:	2 conductors homerun; or 1 common plus 1 individual per sub, looped through each sub. Shielded cable is recommended. Use Aiphone #822202 or #821802 for homerun wiring, #822206 for up to 5 stations on each run, or #822210 for up to 9 stations on each run.
Wiring Distance:	420' with 22AWG; 1,000' with 18AWG.
Dimensions (H x W x D):	NE-NVP alone: 7-1/2" x 5-1/2" x 2". With SBX-NVP: 8-5/8" x 6-5/8" x 2-1/4"

TOLL FREE TECHNICAL SUPPORT:

(800) 692-0200

TOLL FREE FAX LINE:

(800) 832-3765

TECHNICAL SUPPORT E-MAIL:

tech-serv@aiphone.com

Aiphone Communication Systems
1700 130th Ave. N.E.
Bellevue, WA 98005
(425) 455-0510
FAX (425) 455-0071

NE-NVP Instr.
0197JD

Free Manuals Download Website

<http://myh66.com>

<http://usermanuals.us>

<http://www.somanuals.com>

<http://www.4manuals.cc>

<http://www.manual-lib.com>

<http://www.404manual.com>

<http://www.luxmanual.com>

<http://aubethermostatmanual.com>

Golf course search by state

<http://golfingnear.com>

Email search by domain

<http://emailbydomain.com>

Auto manuals search

<http://auto.somanuals.com>

TV manuals search

<http://tv.somanuals.com>