

IMPORTANT INSTRUCTIONS - OPERATING MANUAL

Models: AIDB4Y, AILT4



Dryer Booster Fan

READ AND SAVE THESE INSTRUCTIONS

READ CAREFULLY BEFORE ATTEMPTING TO ASSEMBLE, INSTALL, OPERATE OR MAINTAIN THE PRODUCT DESCRIBED. PROTECT YOURSELF AND OTHERS BY OBSERVING ALL SAFETY INFORMATION. FAILURE TO COMPLY WITH INSTRUCTIONS COULD RESULT IN PERSONAL INJURY AND/OR PROPERTY DAMAGE!

RETAIN INSTRUCTIONS FOR FUTURE REFERENCE.

GENERAL SAFETY INFORMATION

When using electrical appliances, basic precautions should always be followed to reduce the risk of fire, electric shock and injury to person, including the following:

WARNING: DO NOT CONNECT POWER SUPPLY UNTIL FAN IS COMPLETELY INSTALLED. MAKE SURE ELECTRICAL SERVICE TO THE FAN IS LOCKED IN OFF POSITION.

WARNING: MODEL AIDB4Y DRYER BOOSTER FAN IS NOT EXPLOSION PROOF. DO NOT USE IF A POTENTIALLY EXPLOSIVE SITUATION MAY EXIST.

1. Read all instructions before installing or using fan.
2. Use this unit only in the manner intended by the manufacturer. If you have questions, contact the manufacturer.
3. Before servicing or cleaning the unit, switch power off at service panel and lock the service disconnecting means to prevent power from being switched on accidentally. When the service disconnecting means cannot be locked, securely fasten a prominent warning device, such as a tag, to the service panel.
4. Installation work and electrical wiring must be done by qualified person(s) in accordance with all applicable codes and standards, including fire-related construction.
5. Sufficient air is needed for proper combustion and exhausting of gases through the flue (chimney) of fuel burning equipment to prevent back drafting. Follow the heating equipment manufacturer's guideline and safety standards such as those published by the National Fire Protection Association (NFPA) and the American Society for Heating, Refrigeration, and Air Conditioning Engineers (ASHRAE), and the local code authorities.

CAUTION: FOR GENERAL VENTILATING USE ONLY. DO NOT USE TO EXHAUST HAZARDOUS OR EXPLOSIVE MATERIALS AND VAPORS.

6. When cutting or drilling into wall or ceiling, do not damage electrical wiring and other hidden utilities.
7. Ducted fans must always be vented to the outdoors.
8. To avoid motor bearing damage and noisy and/or unbalanced impellers, keep drywall spray, construction dust, etc. off power unit.
9. This unit has rotating parts and safety precautions should be exercised during installation, operation and maintenance.
10. Guards must be installed when fan is within reach of personnel or within seven (7) feet of working level or when deemed advisable for safety.
11. DO NOT insert or allow fingers or foreign objects to enter the motor.
12. DO NOT use with heated air in excess of 140°F (60°C).

SAVE THESE INSTRUCTIONS

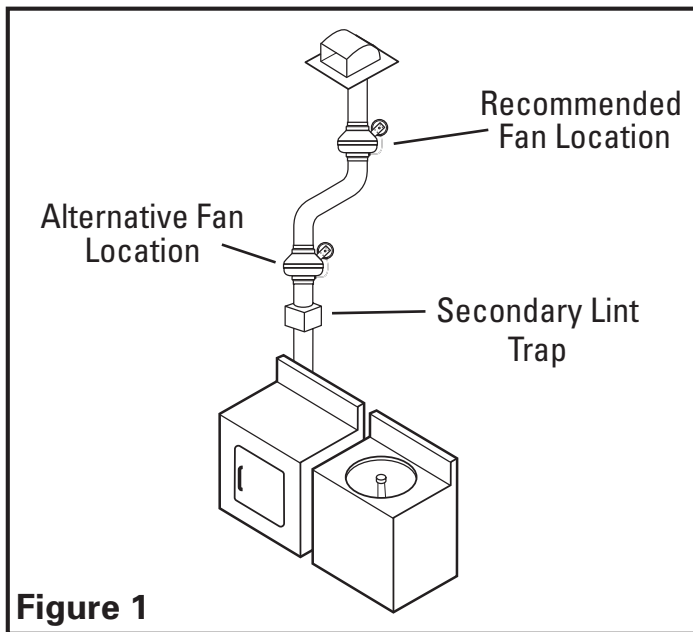
INSTALLATION INSTRUCTIONS

CAUTION: MAKE SURE POWER IS SWITCHED OFF AT SERVICE PANEL BEFORE STARTING INSTALLATION.

SECTION 1

Preparing for Installation

1. **Fan and Switch Mounting:** The recommended location of the booster fan is a minimum of 15 linear (not equivalent) feet of duct from the dryer outlet. If the fan is mounted closer than the recommended 15 feet, it may develop enough pressure to lift wet lint into the fan impeller resulting in excessive lint loading in the fan. The best location for the fan to be mounted is as close as possible to the termination of the duct work. (Exception: If a secondary lint filter is installed between the dryer and the booster fan, the booster fan may be mounted within the minimum distance otherwise recommended (**Figure 1**). A mounting bracket attached to a rafter or joist should be used to stabilize the fan. Although not recommended, a vertical rigid duct may support the fan if the duct is securely stabilized. (Consult local codes prior to supporting the fan in the duct alone.) Duct work should be attached to the inlet and outlet of the fan by means of vibration isolation clamps (not included) or ducting tape. The duct connection should be properly sealed to prevent leakage and loss of fan performance. Flex duct connections between the dryer duct connection and exhaust duct should be stretched as smooth as possible.



2. **Calculating Duct Run:** To calculate the length of your planned duct run, measure from the dryer to external venting point in roof or wall. For each bend or elbow add 5-7 feet to your total duct run calculations. This booster fan can be used on runs up to 108 feet.

SECTION 2

Understanding the Pressure Sensor Switch

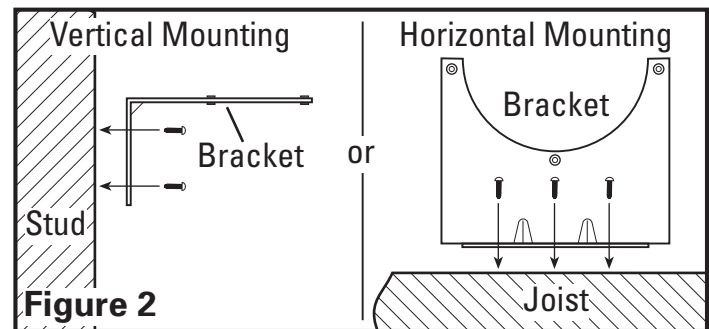
1. This unit is equipped with a pressure switch. This is a positive pressure sensing switch which recognizes dryer operation and activates the booster fan from an independent electrical circuit. This eliminates connections through the dryer circuit which may void the manufacturers' warranty as well as manual systems which require the attention of the operator or costly current/temperature sensing systems.

2. The electricity to the booster fan is connected in series through a normally open terminal on the switch. A pressure tap is connected to a fitting on the side of the switch. When the dryer begins operation, positive pressure in the duct causes the switch diaphragm to expand, closing the circuit to the booster fan. An integral delay-on-break timer in the switch will cycle the fan on for intervals of 10 minutes. This will continue until the dryer has stopped and the timer delay period has lapsed. Drying cycles, the booster fan, the delay timer and the pressure switch are not adversely affected by the starting/stopping intervals.

SECTION 3

Installation

1. **Selecting Fan Location:** Fan must be mounted a minimum of 15 feet from the dryer outlet. If the fan is mounted closer than the recommended 15 feet, it may develop enough pressure to lift wet lint into the fan impeller resulting in excessive lint loading in the fan. (Exception: If a secondary lint filter is installed between the dryer and the booster fan, the booster fan may be mounted within the minimum distance otherwise recommended (**Figure 1**). The best location for the fan to be mounted, in any application, is as close as possible to the termination of the duct work. In order to perform recommended maintenance, fan location should allow sufficient access for service. Refer to dimensional drawings shown above.
2. **Mounting the Bracket:** Using the wood screws provided, attach the mounting bracket to a support beam at the selected location. Bracket is provided with grommets in order to isolate any vibration and prevent the transmission of sound through the structure. Be careful not to overtighten. Fan mounting can be in any angle (**Figure 2**), however, vertical mounting is recommended to reduce condensation buildup in the fan. If a horizontal installation is necessary and condensation buildup may pose a problem, wrap insulation around the fan to minimize buildup.



3. **Mounting the Fan:** For proper operation, the switch diaphragm must be positioned vertically (**Figure 3**). Wiring box should be positioned for easy access. Attach fan to the mounting bracket with the self tapping screws provided. Care should be taken not to strip the plastic housing. Although screw pilot holes are not required, 3/32" (or smaller) pilot holes are recommended (**Figure 4**).

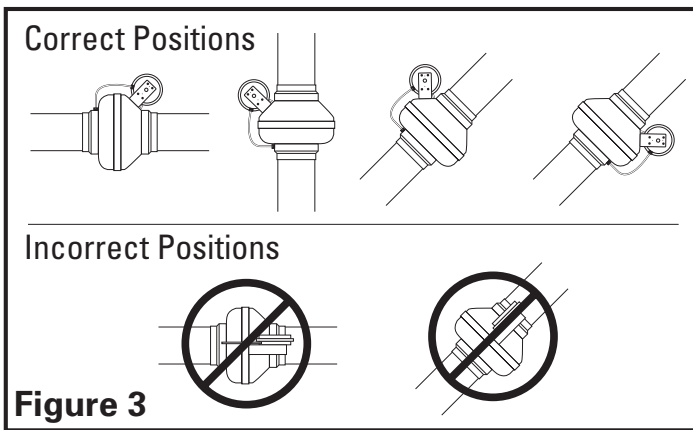


Figure 3

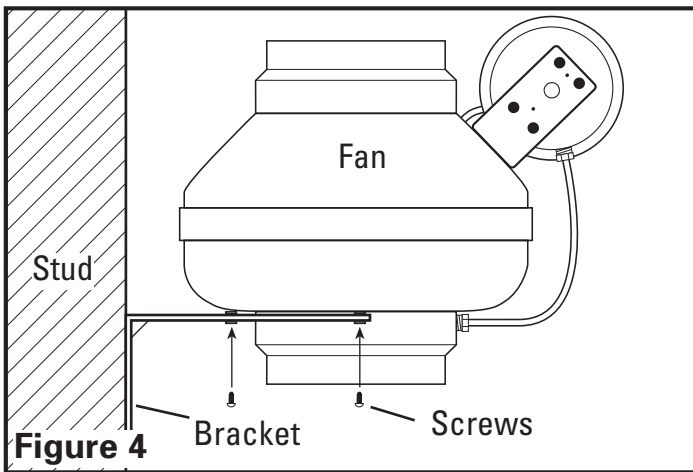


Figure 4

NOTE: Steps 2 and 3 may be reversed.

SECTION 4 Electrical Connections

CAUTION: MAKE SURE POWER IS SWITCHED OFF AT SERVICE PANEL BEFORE STARTING INSTALLATION.

CAUTION: ALL ELECTRICAL CONNECTIONS MUST BE MADE IN ACCORDANCE WITH LOCAL CODES, ORDINANCES, OR NATIONAL ELECTRICAL CODE. IF YOU ARE UNFAMILIAR WITH METHODS OF INSTALLING ELECTRICAL WIRING, SECURE THE SERVICES OF A QUALIFIED ELECTRICIAN.

NOTE: The fan motor, capacitor and pressure switch connections are pre-wired from the factory.

1. Remove the screws securing the terminal box cover plate located on the side of the fan. All fan motor connections are prewired to an electrical terminal strip. A 3/8" romex type cable restraint connector will be needed to secure the wiring through the knockout provided on the side of the terminal box (**Figure 5**).

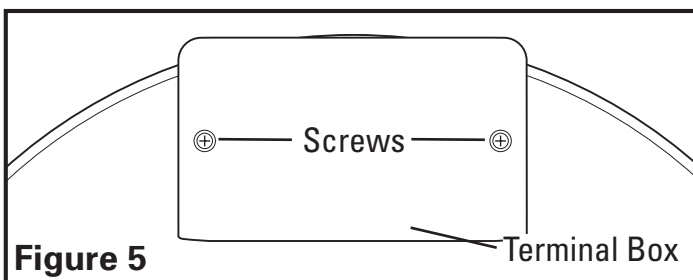


Figure 5

2. Bring incoming electrical service through the romex connector and the fan knockout. Be sure to place the connector nut over the wiring coming into the terminal box. There are three open ports on the terminal strip. Using a small regular screwdriver, tighten the Neutral (white) wire of the incoming supply under the open terminal labeled "N". Tighten the Line (black) wire of the incoming supply under the open terminal labeled "L". Tighten the Ground (green) wire of the incoming supply under the open terminal labeled "G" (**Figure 6**). For reference, a wiring diagram is included on the inside of the terminal box lid.

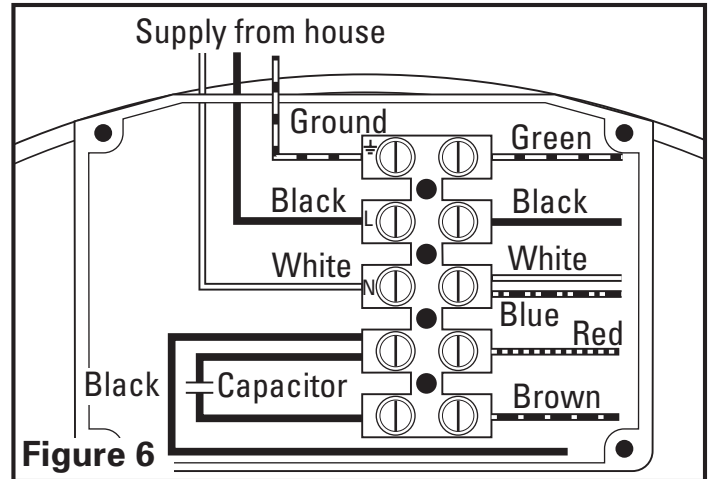


Figure 6

3. Secure the incoming supply with the romex connector and replace the fan terminal box cover.
4. Restore power to the unit and test the installation.

SECTION 5 Finishing the Installation

1. Included with the unit is an identifying label that must be placed above the dryer. This label serves as a reminder that there is a booster fan installed and that periodic cleaning must take place.

SECTION 6 Use and Care

CAUTION: MAKE SURE POWER IS SWITCHED OFF AT SERVICE PANEL BEFORE SERVICING THE UNIT.

1. Fan impeller may accumulate lint. Periodic inspection, based upon dryer usage, should be performed to ensure that the fan impeller is not obstructed or loaded with lint. Under normal conditions, fan should be inspected a minimum of every Six (6) Months. To inspect and clean the impeller:
 - a. Disconnect the incoming power supply at the source.
 - b. Remove the duct from the fan inlet and remove any lint buildup on the impeller.
 - c. Reconnect the duct to the fan. Turn power supply on.

NOTE: Excessive booster fan noise or vibration may be an indication of lint buildup on the impeller.

2. The fan's bearings are sealed and provided with an internal lubricating material, no additional lubrication is necessary.

Troubleshooting Guide

| Trouble | Probable Cause | Suggested Remedy |
|--|---|---|
| 1. Fan does not operate when dryer begins cycle. | 1a. A fuse may be blown or a circuit tripped. 1b. Wiring is not connected properly. 1c. Pressure switch mounted incorrectly 1c. Motor has stopped operating. | 1a. Replace fuse or reset circuit breaker. 1b. Turn off power to unit. Check that all wires are connected. 1c. Turn off power to unit. Reposition switch in correct position. 1c. Replace motor. |
| 2. Fan is operating, but air moves slower than normal. | 2a. Obstruction in the exhaust ducting. | 2a. Check for any obstructions in the ducting. The most common are bird nests in the roof cap or wall cap where the fan exhausts to the outside. |
| 3. Fan is operating louder than normal. | 3a. Lint buildup in motor. 3b. Motor is loose. 3c. Fan mounting screws too tight. 3d. Fan damaged in shipping. | 3a. Follow instructions in USE and CARE section of these instructions. 3b. Turn off power to unit. Confirm unit is mounted securely to bracket. Restore power to unit. 3c. Turn off power to the unit. Loosen screws going through rubber grommets 3d. Contact seller for replacement. |

LIMITED WARRANTY

All products manufactured by Air King Limited are warranted for one year from the date of purchase against defects in workmanship and/or material. In addition, all ventilating/exhaust fans, heaters, combination fan lights and/or heaters, and range hoods are guaranteed for five years from the date of purchase against defects in workmanship and/or material.

This warranty does not cover any labor or shipping costs or the cost of replacement components as part of routine maintenance such as: range hood grease filters, charcoal filters or combination charcoal/grease filters; replacement light bulbs in range hoods or bathroom fan/light/bulb heater combinations. As well, any damage or failure caused by abuse, misuse, abnormal usage, faulty installation, or improper maintenance will not be covered by this warranty.

In order to make a claim on this warranty, you must be the original consumer of the product. You will be required to present to Air King the original bill of sale showing: date of purchase, place of purchase and model purchased. Failure to meet these requirements will void your warranty.

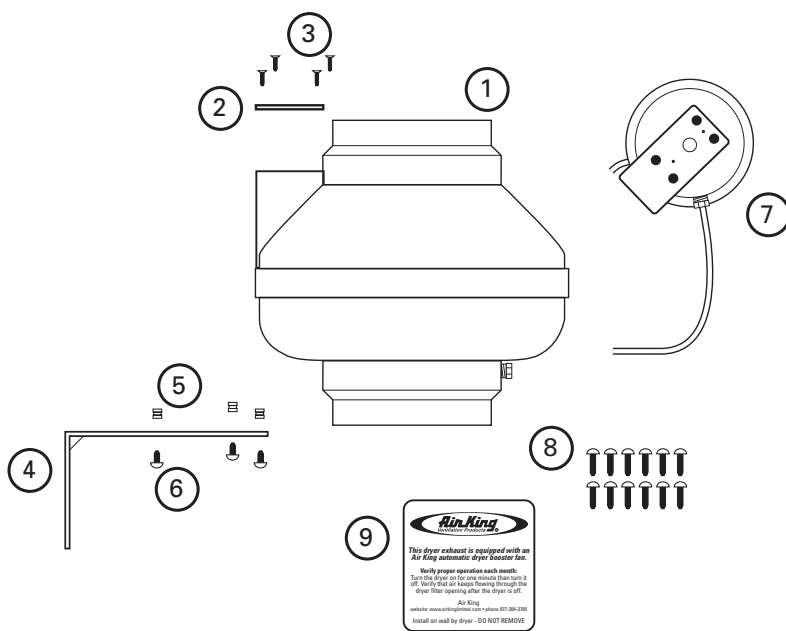
Air King will not be held responsible for any bodily injury or damages to personal property or real estate whether caused directly or indirectly by the product. Some states and provinces do not allow the exclusion or limitation of incidental or consequential damages and some states do not allow limitations on how long an implied warranty lasts, so these exclusions or limitations may not apply to you. This warranty gives you specific legal rights and you may have other rights which vary from state to state and province to province.

FOR PARTS OR TECHNICAL ASSISTANCE

Please call: 1-800-465-7300, **MONDAY THROUGH FRIDAY, BETWEEN THE HOURS OF 8 AM AND 4:00 PM EST.**
PLEASE DO NOT RETURN PRODUCT TO PLACE OF PURCHASE.

Reference the type and style of product (located on label inside of the product) when you call.
For more information please visit our website: www.airkinglimited.com

| # | Qty. | Description | Replacement Part # |
|---|------|------------------------|--------------------|
| 1 | 1 | Motor | 5S7635000 |
| 2 | 1 | Cover Plate | 5S7635029 |
| 3 | 2 | Screw | 5S7699021 |
| 4 | 1 | Mounting Bracket | 5S7635035 |
| 5 | 3 | Grommet | 5S7699020 |
| 6 | 3 | Screw | 5S7699024 |
| 7 | 1 | Pressure Sensor Switch | 5S7635046 |
| 8 | 8 | Screw | 5S7699022 |
| 9 | 1 | Identifying Label | 5S7635047 |



Installer: _____

Installation Date: _____

Place of Purchase: _____

Model Number: _____

INSTRUCTIONS IMPORTANTES – MANUEL D'OPÉRATION

Modèles: AIDB4Y, AILT4



Ventilateur booster
de séchage

LIRE ET CONSERVER CES INSTRUCTIONS

LIRE SOIGNEUSEMENT AVANT DE TENTER D'ASSEMBLER, INSTALLER, OPÉRER OU DE RÉPARER LE PRODUIT DÉCRIT. PROTÉGEZ VOUS-MÊME ET LES AUTRES EN OBSERVANT TOUTE L'INFORMATION DE SÉCURITÉ. FAILLIR À SE CONFORMER AUX INSTRUCTIONS PEUT RÉSULTER EN BLESSURE PERSONNELLE GRAVE ET/OU EN DOMMAGE À LA PROPRIÉTÉ.

CONSERVER CES INSTRUCTIONS POUR RÉFÉRENCES FUTURES.

INSTRUCTIONS GÉNÉRALES DE SÉCURITÉ

Lors de l'utilisation d'appareils électriques, des précautions de base doivent toujours être suivies pour réduire les risques d'incendie, de choc électrique et de blessures corporelles, incluant ce qui suit:

AVERTISSEMENT : NE PAS BRANCHER L'ALIMENTATION AVANT QUE LE VENTILATEUR NE SOIT COMPLÈTEMENT INSTALLÉ. ASSUREZ-VOUS QUE LE SERVICE ÉLECTRIQUE SUR LE VENTILATEUR EST VERROUILLÉ À LA POSITION ÉTEINTE.

AVERTISSEMENT : LE VENTILATEUR BOOSTER DE SÉCHAGE MODELE AIDB4Y N'EST PAS ANTIDÉFLAGRANT. NE PAS L'UTILISER SI UNE SITUATION POTENTIELLEMENT EXPLOSIVE PEUT EXISTER.

1. Bien lire toutes les instructions avant d'installer ou d'utiliser le ventilateur d'évacuation.
2. Utiliser cette unité seulement de la manière pour laquelle le fabricant l'a conçu. Si vous aviez des questions, veuillez contacter le fabricant.
3. Avant d'effectuer un service ou de nettoyer l'unité, couper l'alimentation électrique dans le panneau de distribution et verrouiller le dispositif de déconnexion afin d'éviter que l'alimentation ne revienne accidentellement. Lorsque le dispositif ne peut être verrouillé, fixer solidement un avis d'avertissement, tel qu'une étiquette, au panneau de distribution.
4. Le travail d'installation et le câblage électrique doivent être effectués par une(des) personne(s) qualifiée(s) en conformité avec tous les codes et normes applicables, incluant la construction relative aux incendies.
5. De l'air en quantité suffisante est requis pour la bonne combustion et l'évacuation de gaz par le conduit (cheminée) provenant d'équipement de brûlage au combustible pour prévenir un refoulement. Suivre les directives du fabricant

de l'équipement de chauffage et les normes de sécurité telles que celles publiées par la National Fire Protection Association (NFPA) et de la American Society for Heating, Refrigeration, and Air Conditioning Engineers (ASHRAE), et de celles des autorités locales du code.

AVERTISSEMENT : POUR USAGE DE VENTILATION GÉNÉRALE EXCLUSIVEMENT. NE PAS UTILISER POUR ÉVACUER DU MATÉRIEL ET DES VAPEURS DANGEREUSES OU EXPLOSIVES.

6. Lors de coupe ou de perçage des murs et plafonds, ne pas endommager le filage électrique et autres utilités cachées.
7. Les ventilateurs avec conduits doivent toujours être évacués vers l'extérieur.
8. Pour éviter des dommages aux roulements des moteurs et/ou des hélices bruyantes ou déséquilibrées, empêcher la poussière de cloison sèche, poussière de construction, etc., d'atteindre l'unité de puissance.
9. Cette unité comprend des parties rotatives. Des mesures de sécurité devraient donc être prises pendant son installation, son fonctionnement et son entretien.
10. Des gardes protectrices doivent être installées lorsqu'il est à la portée du personnel ou à l'intérieur de 2,13 m d'un niveau de travail ou lorsque cette mesure s'avère nécessaire pour assurer la sécurité.
11. Ne pas insérer les doigts ou tout corps étranger dans le moteur.
12. NE PAS utiliser avec de l'air chauffé à plus de 60°C.

CONSERVER CES INSTRUCTIONS

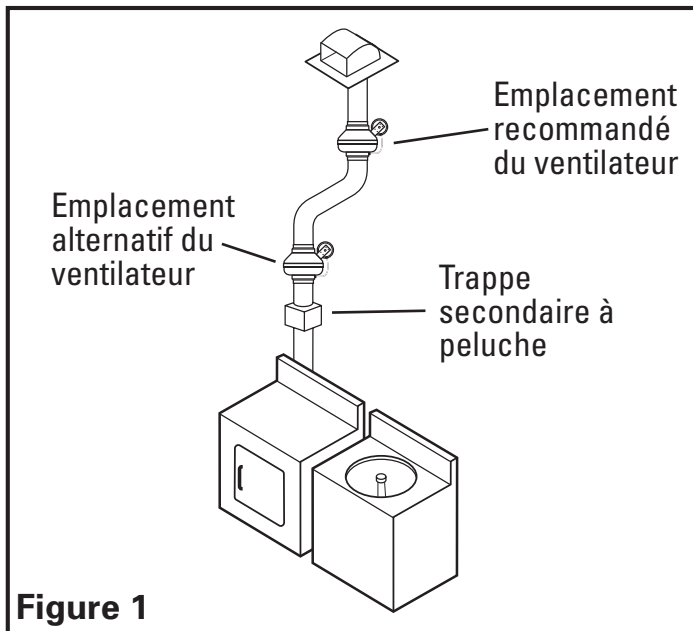
INSTALLATION INSTRUCTIONS

AVERTISSEMENT: VOUS ASSURER QUE L'ALIMENTATION EST COUPÉE AU PANNEAU DE SERVICE AVANT DE COMMENCER L'INSTALLATION.

SECTION 1

Préparation en prévision de l'installation

1. **Montage du ventilateur et de l'interrupteur :** L'emplacement recommandé du ventilateur booster est à un minimum de 4,57 m linéaires (pas d'équivalence) de conduit de la sortie. Si le ventilateur est monté plus près que les 4,57 m recommandés, il peut développer suffisamment de pression pour soulever la peluche mouillée dans l'hélice du ventilateur résultant en une surcharge de peluche dans le ventilateur. Le meilleur emplacement pour le montage du ventilateur est aussi près que possible de la terminaison du conduit. (Exception : Si un filtre anti-peluche secondaire est installé entre le séchoir et le ventilateur booster, le ventilateur booster peut être monté à l'intérieur de la distance minimale recommandée (Figure 1). Un support de montage fixé à un chevron ou une solive doit être utilisé pour stabiliser le ventilateur. Bien que non-recommandé, un conduit vertical rigide peut supporter le ventilateur si le conduit est stabilisé solidement. (Consulter les codes locaux avant de supporter le ventilateur seul dans le conduit.) Les conduits doivent être fixés à l'entrée et à la sortie du ventilateur par le moyen de fixations isolant de la vibration (non-comprises) ou du ruban de gaine. Le raccord de conduit doit être scellé adéquatement pour prévenir les fuites et la perte de rendement du ventilateur. Les raccords aux conduits flexibles entre les raccords des conduits du séchoir et les conduits d'évacuation doivent être tendus pour être aussi lisses que possible.



2. **Calcul de la course de conduits :** Pour calculer la longueur de votre course de conduit, mesurer du séchoir au point d'évacuation externe dans le toit ou le mur. Pour chaque coude ou courbe ajouter 1,5 à 2,1 m de course de conduit à vos calculs du total de la course de conduits. Ce ventilateur booster peut être utilisé sur des courses allant jusqu'à 32,9 m.

SECTION 2

Comprendre l'interrupteur de pression

1. Cette unité est munie d'un interrupteur à pression. C'est un interrupteur à capteur de pression positive qui reconnaît l'opération du séchoir et qui active le ventilateur booster par un circuit électrique

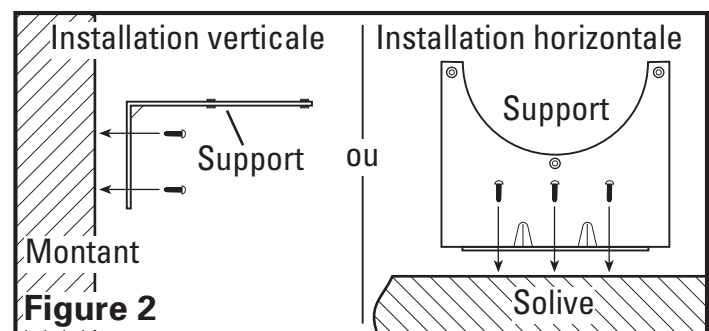
indépendant. Cela élimine les raccordements via le circuit du séchoir qui pourrait annuler la garantie du fabricant comme les systèmes manuels qui nécessitent l'attention de l'opérateur ou un système dépendant de capteur de courant / température.

2. Le courant électrique du ventilateur booster est raccordé en série avec le terminal normalement ouvert de l'interrupteur. Une prise de pression est connectée à un raccord sur le côté de l'interrupteur. Lorsque le séchoir commence son opération, une pression positive dans le conduit force l'expansion du diaphragme de l'interrupteur, fermant ainsi le circuit du ventilateur booster. Une minuterie intégrale délai sur coupure dans l'interrupteur fera cycliser en/hors le ventilateur booster pour des intervalles de 10 minutes. Ce cycle se continue jusqu'à ce que le séchoir se soit arrêté et que la période de délai de cette minuterie se soit écoulée. Les cycles de séchage, le ventilateur booster, la minuterie de délai et l'interrupteur à pression ne sont pas affectés de manière adverse par les intervalles de démarrage/arrêt.

SECTION 3

Installation

1. **Sélection de l'emplacement du ventilateur :** Le ventilateur doit être placé à un minimum de 4,57 m de la sortie du séchoir. Si le ventilateur est monté plus près que les 4,57 m recommandés, il peut développer suffisamment de pression pour soulever la peluche mouillée dans l'hélice du ventilateur résultant en une surcharge de peluche dans le ventilateur. (Exception : Si un filtre anti-peluche secondaire est installé entre le séchoir et le ventilateur booster, le ventilateur booster peut être monté à l'intérieur de la distance minimale recommandée (Figure 1). Le meilleur emplacement pour le montage du ventilateur, dans toute application, est aussi près que possible de la terminaison des conduits. De manière à effectuer correctement l'entretien recommandé, l'emplacement du ventilateur doit permettre un accès suffisant pour le service. Vous référer aux dessins dimensionnels montrés ci-dessus.
2. **Montage du support :** En utilisant les vis à bois fournies, fixer le support de montage à un colombage de soutien à l'emplacement sélectionné. Le support est muni d'anneaux de manière à isoler toute vibration et de prévenir la transmission du son par la structure. Prendre bien soin de ne pas trop serrer. Le montage du ventilateur peut se faire à tout angle (Figure 2), cependant, le montage vertical est recommandé pour réduire l'accumulation de condensation dans le ventilateur. Si une installation horizontale est nécessaire et que l'accumulation de condensation peut causer problème, envelopper autour du ventilateur avec de l'isolant pour minimiser l'accumulation.



3. **Montage du ventilateur :** Pour une opération adéquate, le diaphragme de l'interrupteur doit être positionné verticalement (Figure 3). La boîte de câblage doit être positionnée pour un accès facile. Fixer le ventilateur au support de montage avec les vis autotaraudeuses comprises. On doit prendre bien soin de ne pas dénuder le cabinet de plastique. Bien que des avant-trous pour les vis ne sont pas requis, des avant-trous de 25 mm (ou plus petits) sont recommandés (Figure 4).

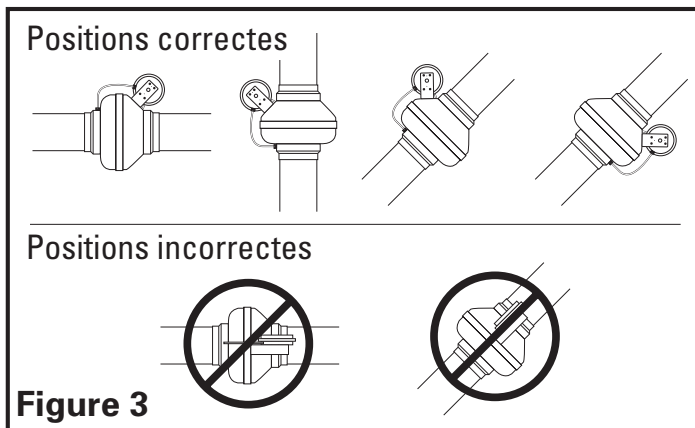


Figure 3

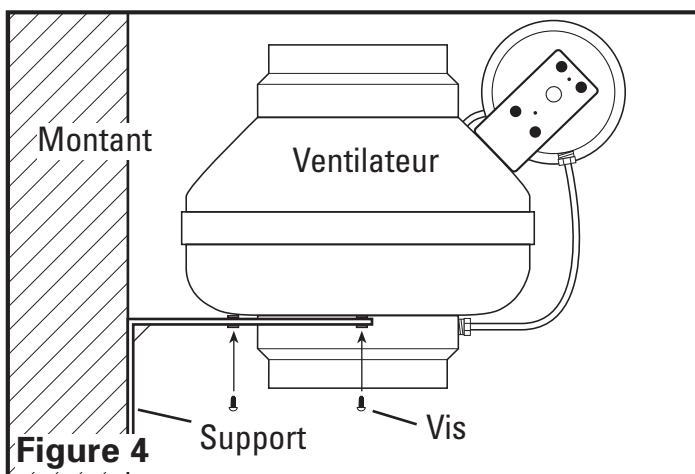


Figure 4

REMARQUE : Les étapes 2 et 3 peuvent être inversées.

SECTION 4

Raccords électriques

AVERTISSEMENT: VOUS ASSURER QUE L'ALIMENTATION EST COUPÉE AU PANNEAU DE SERVICE AVANT DE COMMENCER L'INSTALLATION.

AVERTISSEMENT: TOUTES LES CONNEXIONS DOIVENT ÊTRE FAITES EN CONFORMITÉ AVEC LES CODES ÉLECTRIQUES LOCAUX OU NATIONAUX. SI VOUS N'ÊTES PAS FAMILIER AVEC LES MÉTHODES D'INSTALLATION DE CÂBLAGE ÉLECTRIQUE, RECOURREZ AUX SERVICES D'UN ÉLECTRICIEN QUALIFIÉ.

REMARQUE : Les connexions du moteur du ventilateur, du condensateur et de l'interrupteur à pression sont pré-filées à l'usine.

1. Enlever les vis qui fixent la plaque de couvercle de la boîte de raccordement située sur le côté du ventilateur. Toutes les connexions du moteur du ventilateur sont pré-filées à un terminal de raccordement électrique. Un serre câble de type romex de 97 mm sera requis pour fixer le câblage au travers de l'alvéole défonçable fournie sur le côté de la boîte de raccordement (Figure 5).

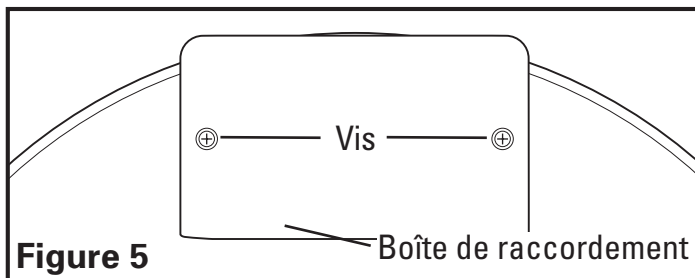


Figure 5

2. Amener le service électrique au travers du connecteur romex et de l'alvéole défonçable du ventilateur. Assurez-vous de placer l'écrou du connecteur sur le filage entrant dans la boîte de raccordement. Il y a trois ports ouverts sur le terminal de raccordement. À l'aide d'un petit tournevis plat, serrer le fil de neutre (blanc) de l'alimentation entrante sous la borne marquée "N". Serrer le fil de ligne (noir) de l'alimentation entrante sous la borne marquée "L". Serrer le fil de mise à la terre (vert) de l'alimentation entrante sous la borne marquée "E" (Figure 6). Un diagramme de raccordement est inclus, pour référence, à l'intérieur du couvercle de la boîte de raccordement.

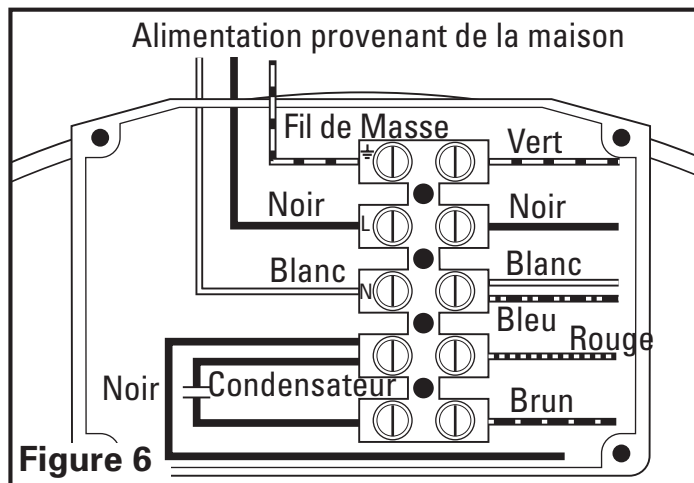


Figure 6

3. Serrer l'alimentation entrante avec le connecteur romex et replacer le couvercle de la boîte de raccordement du ventilateur.
4. Remettre l'alimentation sur l'unité et tester l'installation.

SECTION 5

Finition de l'installation

1. Une étiquette d'identification qui doit être placée au-dessus du séchoir est incluse avec l'unité. Cette étiquette sert de rappel qu'il y a un ventilateur booster installé et que l'on doit effectuer un nettoyage périodique sur ce ventilateur.

SECTION 6

Utilisation et entretien

AVERTISSEMENT : ASSUREZ-VOUS QUE LE COURANT EST COUPÉ A PARTIR DU PANNEAU ÉLECTRIQUE AVANT DE PROCÉDER A L'ENTRETIEN DE L'UNITÉ.

1. L'hélice du ventilateur peut accumuler la peluche. Une inspection périodique, fondée sur l'utilisation du séchoir, doit être effectuée pour assurer que l'hélice du ventilateur ne soit pas obstruée ou remplie de peluche. Sous des conditions d'opération normale, le ventilateur doit être inspecté au minimum à tous les six (6) mois. Pour inspecter et nettoyer l'hélice :
 - a. Déconnecter l'alimentation entrante à la source.
 - b. Enlever le conduit de l'entrée du ventilateur et enlever l'accumulation de peluche sur l'hélice.
 - c. Reconnecter le conduit au ventilateur. Remettre l'alimentation.

REMARQUE : Un bruit excessif du ventilateur booster pourrait être une indication d'accumulation de peluche sur l'hélice.

2. Les roulements du ventilateur sont scellés et munis d'un matériel lubrifiant interne, aucune lubrification additionnelle n'est requise.

Guide de dépannage

| Trouble | Cause Possible | Solution Suggérée |
|---|--|--|
| 1. Le ventilateur ne fonctionnera pas lorsque débute le cycle du séchoir. | 1a. Un fusible peut être grillé ou un disjoncteur peut être déclenché. 1b. Le câblage n'est pas raccordé correctement. 1c. Interrupteur à pression monté incorrectement. 1c. Le moteur est terminée | 1a. Remplacer le fusible ou réinitialiser le disjoncteur. 1b. Couper l'alimentation de l'unité. Vérifier que tous les fils sont raccordés. 1c. Couper l'alimentation de l'unité. Repositionner l'interrupteur en position correcte. 1c. Remplacez le moteur. |
| 2. Le ventilateur fonctionne, mais l'air circule plus lentement que la normale. | 2a. Obstruction dans les conduits d'évacuation. | 2a. Vérifier pour toute obstruction dans les conduits. Les plus courantes sont des nids d'oiseau dans le chapeau de toit ou mural là où le ventilateur s'évacue s'évacue vers l'extérieur. |
| 3. Le ventilateur fonctionne de manière plus bruyante que la normale. | 3a. Accumulation de peluche dans le moteur. 3b. Le moteur est lâche. 3c. Les vis pour l'installation du ventilateur sont trop serrées. 3d. Ventilateur endommagé au cours de l'expédition. | 3a. Suivre les instructions dans les sections UTILISATION et ENTRETIEN de ces instructions. 3b. Couper l'alimentation à l'unité. Retirer la grille et vérifier que toutes les vis sont complètement serrées. Remettre l'alimentation sur l'unité. 3c. Coupez l'alimentation de l'unité. Desserrez les vis des passe-câbles en caoutchouc. 3c. Communiquez avec le vendeur pour un remplacement. |

GARANTIE LIMITÉE

Tous les produits fabriqués par Air King Limited sont garantis pour un an à partir de la date d'achat contre les défauts de main d'œuvre et/ou de matériel. De plus, tous les ventilateurs / évacuateurs, chaufferettes, combinés ventilateur/ lumière et/ou les chaufferettes et les hottes de cuisine sont garantis pour cinq années à partir de la date d'achat contre les défauts de main d'œuvre et/ou de matériel.

Cette garantie ne couvre pas de coûts de transport ou de main d'œuvre ou le coût de remplacement de composantes faisant partie d'entretien de routine tels que : Filtres à graisse des hottes de cuisine, filtres au charbon ou combiné filtre à graisse/ charbon ; ampoules électriques de remplacement dans les hottes de cuisine ou les combinés ventilateur/ lumière/ chaufferette pour salle de bain. Aussi, tout dommage ou défaillance causé par un abus, une mauvaise utilisation, une installation fautive ou un entretien incorrect ne sera pas couvert par cette garantie.

De manière à effectuer une réclamation sous cette garantie, vous devez être l'acheteur original du produit. Il vous sera exigé de présenter la facture d'achat originale à Air King, qui démontrera : La date d'achat, l'endroit de l'achat et le modèle acheté. Le manquement à rencontrer ces exigences annulera votre garantie.

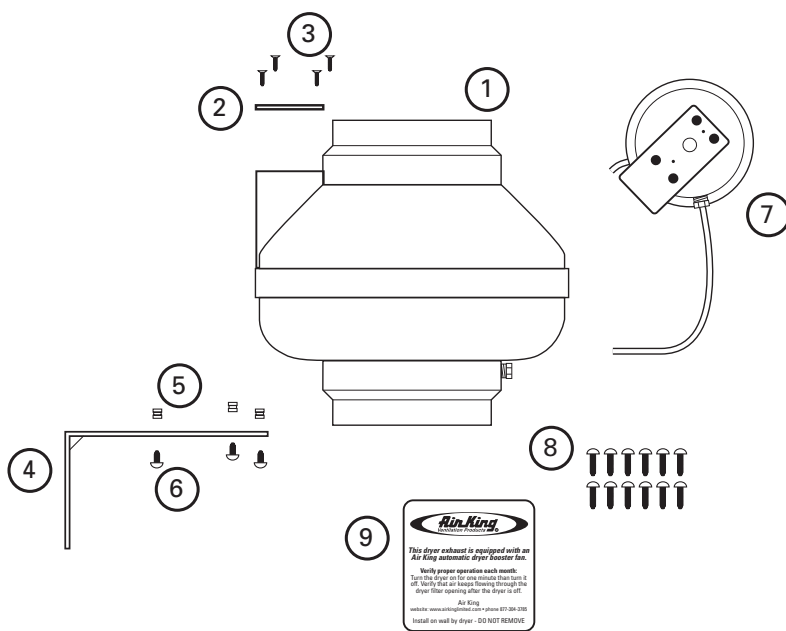
Air King ne sera pas tenu responsable de quelque blessure corporelle ou dommage à la propriété ou à l'immeuble que ce soit causé directement ou indirectement par le produit. Certains États ne permettent pas de limitation sur la durée de la garantie implicite, ou l'exclusion ou la limitation de dommages indirects ou accessoires, ainsi, ces limitations et exclusions peuvent ne pas s'appliquer à vous. Cette garantie vous donne des droits légaux spécifiques et vous pouvez aussi avoir des droits qui varient d'un État à l'autre et d'une province à l'autre.

POUR DES PIÈCES OU DE L'ASSISTANCE TECHNIQUE

Veuillez appeler au 1-800-465-7300, **DU LUNDI AU VENDREDI ENTRE 8:00 HRE ET 16:00 HRE HNE.**
VEUILLEZ NE PAS RETOURNER CE PRODUIT À L'ENDROIT DE L'ACHAT D'ORIGINE.

Référencer le type et le style du produit (localisé sur l'étiquette à l'intérieur du produit) lorsque vous appelez.
Pour plus d'information, veuillez visiter le site Web de Air King au www.airkinglimited.com

| # | Qté. | Description | # de pièce de remplacement |
|---|------|----------------------------|----------------------------|
| 1 | 1 | Moteur | 5S7635000 |
| 2 | 1 | Plaque de finition | 5S7635029 |
| 3 | 2 | Vis | 5S7699021 |
| 4 | 1 | Supprt de montage | 5S7635035 |
| 5 | 3 | Passe-câble | 5S7699020 |
| 6 | 3 | Vis | 5S7699024 |
| 7 | 1 | Interrupteur à pression | 5S7635046 |
| 8 | 8 | Vis | 5S7699022 |
| 9 | 1 | Étiquette d'identification | 5S7635047 |



Installateur: _____

Date d'installation: _____

Endroit de l'achat: _____

Numéro de modèle: _____

Free Manuals Download Website

<http://myh66.com>

<http://usermanuals.us>

<http://www.somanuals.com>

<http://www.4manuals.cc>

<http://www.manual-lib.com>

<http://www.404manual.com>

<http://www.luxmanual.com>

<http://aubethermostatmanual.com>

Golf course search by state

<http://golfingnear.com>

Email search by domain

<http://emailbydomain.com>

Auto manuals search

<http://auto.somanuals.com>

TV manuals search

<http://tv.somanuals.com>