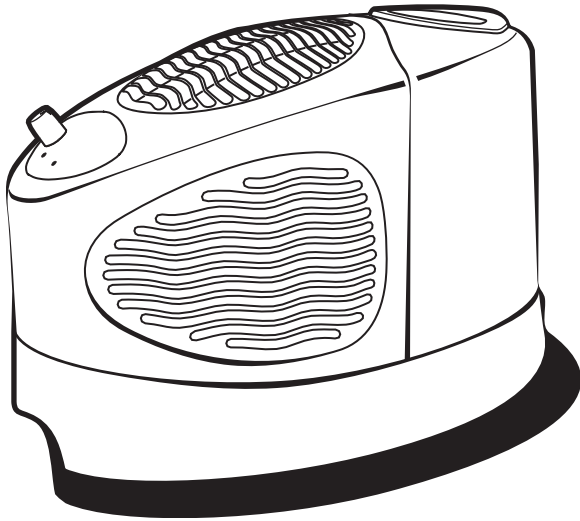
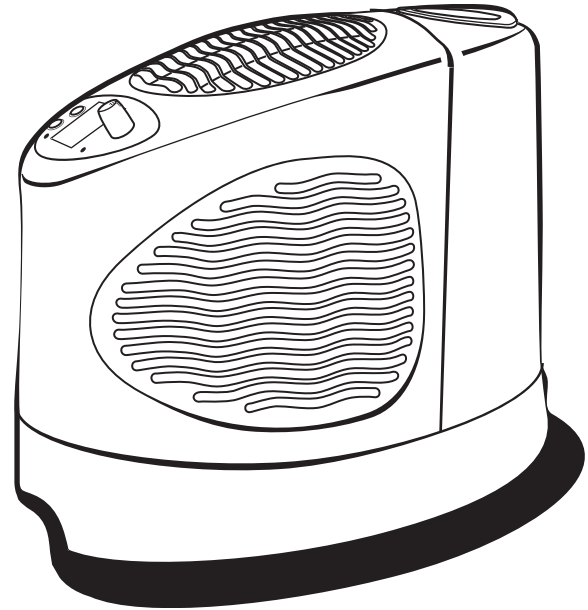


AIR-O-SWISS 
ADVANCED AIR TREATMENT SYSTEMS



AOS E2241



AOS E2251



Instructions for use

en



Foreword

Congratulations on your choice of the evaporator AIR-O-SWISS E2241 / AIR-O-SWISS E2251!

en

Did you know that dry room air:

- Causes the membranes in your respiratory system to dry out, and also causes chapped lips and stinging eyes?
- Encourages infections and illnesses of respiratory system?
- Causes weariness, tiredness and poor concentration?
- Stresses household pets and house plants?
- Encourages the formation of dust and the electrostatic charging of textiles made of synthetic fibres, carpets and plastic flooring?
- Damages furnishings made of wood and parquet?
- Detunes musical instruments?

Usage tips

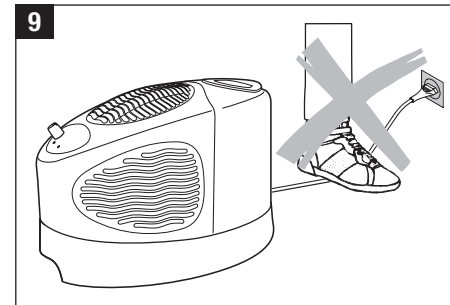
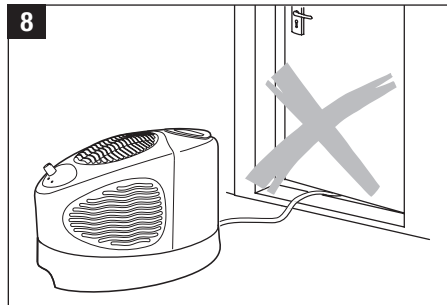
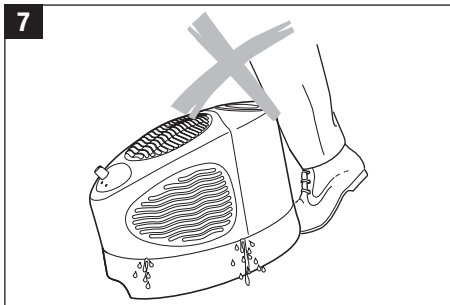
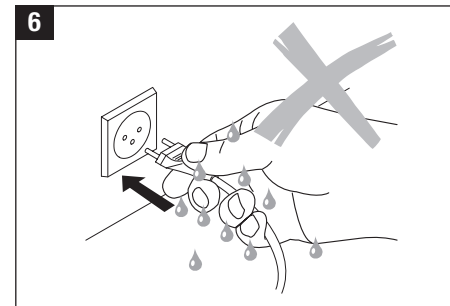
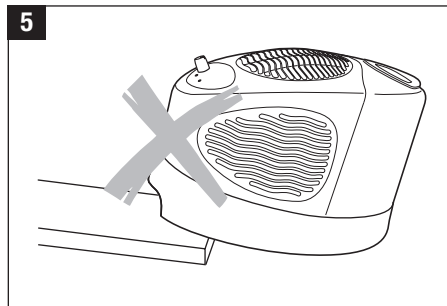
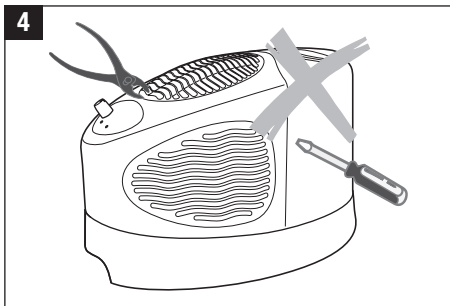
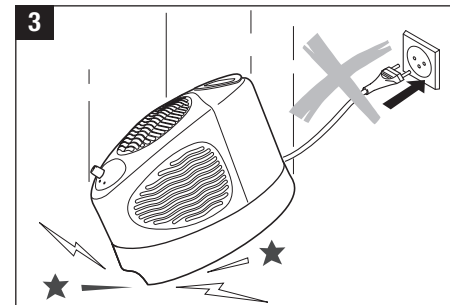
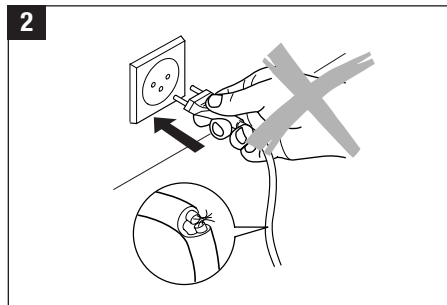
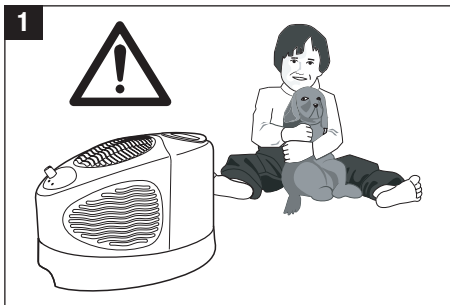
The usage of humidifiers

- Is particularly advisable during the winter,
- However, it does not take the place of the regular airing of rooms.
- Should provide a recommended relative humidity of 40 – 60 %

Safety instructions

- Read the operating instructions carefully before using the humidifier and keep them for later reference.
- Connect the unit only to alternating current with voltage according to the rating label.
- Only use the humidifier indoors and within the specified technical data. If used for a purpose for which it is not intended it could cause serious danger to health and life.
- Children cannot recognise the hazards associated with the usage of electrical appliances. For this reason, always supervise children when they are near the humidifier (image 1).
- Persons who are not familiar with the operating instructions, as well as children and persons under the influence of medication, alcohol, or drugs are not permitted to operate the appliance, or are only permitted to operate it under supervision.
- Never use the appliance if there is any damage to the appliance or cable (2), after malfunction, after the appliance has been dropped (3) or damaged in any other way.
- Only operate the humidifier when it is completely assembled.
- Repairs of electrical appliances are only to be made by qualified service engineers (4). Improper repair work can cause considerable danger to the user.
- Disconnect the appliance from the mains power before filling/emptying the water tank, before cleaning/maintenance, assembling/dismantling of individual parts and before moving the appliance.
- Place the humidifier on a dry, level surface (5).
- Never pull the plug from the mains socket by the cable or with wet hands (6).
- Do not put any additives in the water (e.g. fragrances, essential oils, water fresheners, etc.)
- Place appliance where it is not easily knocked over by persons in the household (7).
- Always unplug when not in use.
- Do not run power cords under carpets, and do not cover with throw rugs. Arrange cord such that it will not be tripped over.
- Do not use the appliance where combustible gases or vapors are present.
- Do not expose the appliance to rain, or use near water, in a bathroom, laundry area or other damp location.
- Do not allow foreign objects to enter ventilation.
- Do not sit, stand or place any heavy objects on the appliance.
- The use of water additives, such as ethereal/essential oils, fragrances, eucalyptus, water conditioners etc., damages the tank material and as a consequence the whole unit. Any use of such additives will void the manufacturer's warranty.





en

Description of the appliance

Cable storage (Fig.11)

Air outlet

Control panel

Air inlet

Main body

Handle

Water tank

Sealing ring

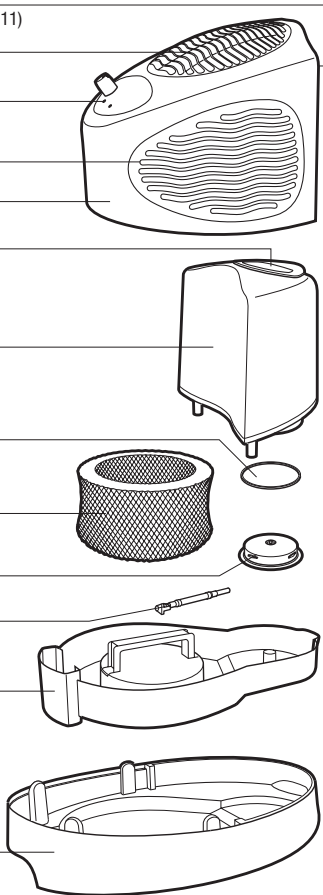
Evaporating mat

Water tank cap

Ionic Silver Stick®

Water base

Main body



en

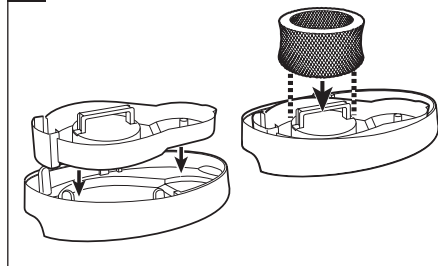
Unpacking

- Carefully remove the humidifier from the box.
- Remove the Ionic Silver Stick® (Water purification) from the red bag. Section «Water purification» provides information on usage.
- Remove the plastic bag from the humidifier.
- Observe the information given on the rating plate about the mains supply.
- Use the original packaging for storing the appliance if you do not use the humidifier all year round.

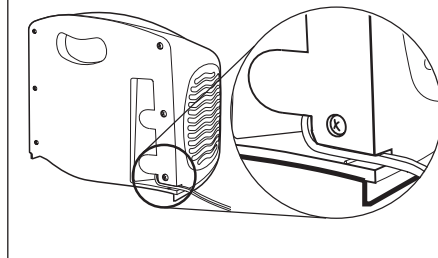
Putting into operation

- Place the humidifier on the floor on a flat, dry surface in the room.
- Ensure that there is good access to the humidifier and that there is sufficient space for maintaining and cleaning the appliance.
- For increased evaporation performance in large rooms, place the humidifier near a radiator (do not exceed max. temperature of 50 °C).
- Place the water tray in its place in the main body and insert the evaporating mat in the water tray as shown (10).
- Pass the cable through the slot in the lower corner of the cable compartment (11). Any excess cable length can be stowed away in the cable storage.
- Place the housing on the main body (12). Make sure that the mat fits in the housing and is not squashed.
- Read the instructions under «Filling the Tank» for putting water in the evaporator.
- Insert the plug into the socket and switch on the appliance using the on/off switch (18).
- Make sure that the cable is not pinched anywhere (8 – 9). Do not operate the humidifier if the cable is damaged (2).

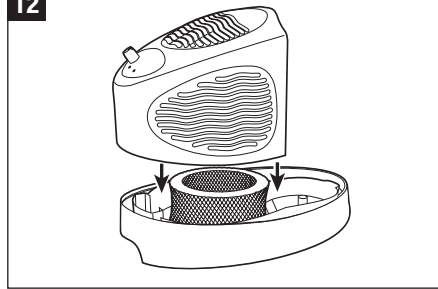
10



11



12



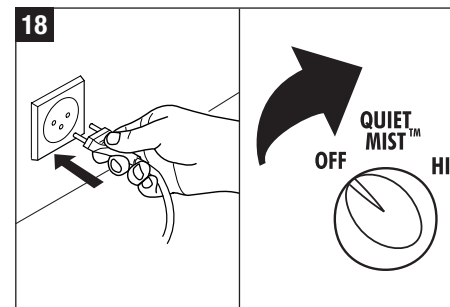
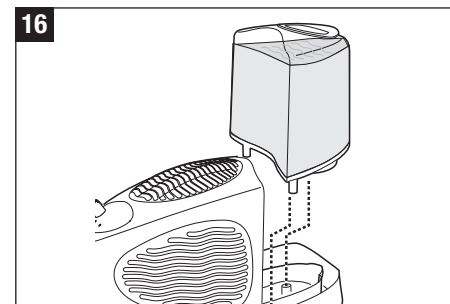
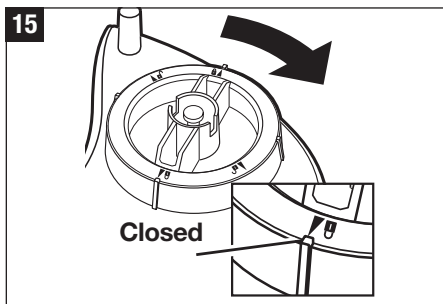
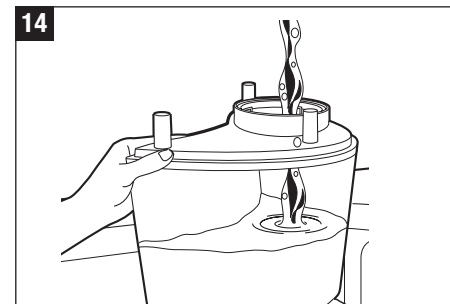
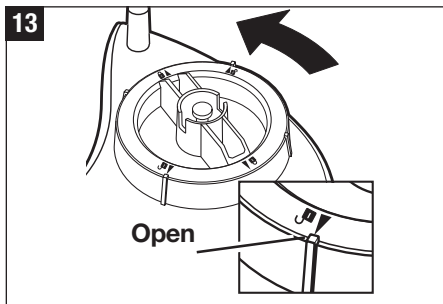
18

Filling the tank



Always unplug the unit before removing the water tank. Do not operate the humidifier when the water tank is empty!

- Make sure that no foreign objects are in the water tank.
- Take off the water tank cap to fill the tank with water (13). Fill the tank with clean, cold water from the tap (14). Close the cap of the water tank securely (15), place the water tank on the base (16). Attention: before turning round the tank and placing on the main body make sure that the cover is properly closed!
- Carry the tank by holding it by the handle and support from below with your other hand.
- Do not add any conditioners to the water (17).
- Insert the plug into the socket and switch on the appliance using the on/off switch (18). The green light comes on.
- Attention: never pour water into the air inlet or the air outlet apertures!
- As soon as the tank is in the right position, water flows from the tank into the water tray.
- Do not move or tip the appliance while it contains water. Should you have to move it nevertheless, first unplug and remove the water tank.



en

Water purification

An Ionic Silver Stick® (19) keeps the water free of harmful bacteria. The anti-microbial action of silver is used. The Ionic Silver Stick® releases silver ions in the water over a long period (approx. one year). It is self-cleaning and maintenance-free.

Positioning the appliance:

Fig. 19 shows the position in the appliance. Remove the Ionic Silver Stick® from the packaging and place it between the evaporating mat and the tray edge without it impairing the tank when inserted (see Fig. 19). Please replace the Ionic Silver Stick® at the latest after one year; a new one can be purchased from a specialist shop.

Use of additives

Water additives (ethereal/essential oils, fragrances, eucalyptus, water conditioners etc.) must not be used! Even a small amount can cause cracks in the tank material. The material isn't made for the use of such additives. One drop is enough to damage the tank and as a consequence the unit. Any use of such additives will void the manufacturer's warranty.

Operating AOS E2241 (20)

Turn the level switch to the desired setting. In order to achieve rapid humidification set the switch to «HI». For quiet, night operation or a gradual increase in humidity set it to «Quiet Mist». The operating display «Power» comes on when the appliance is switched on.

Operating AOS E2251 (21)

Turn the level switch to the desired setting. In order to achieve rapid humidification set the switch to «HI», for normal operation «MED». For quiet, night operation or a gradual increase in humidity set it to «Quiet Mist». The operating display «Power» comes on when the appliance is switched on.

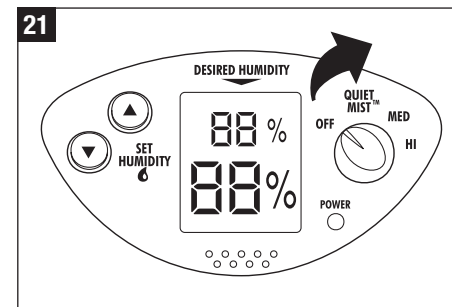
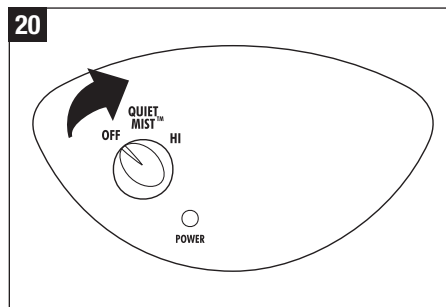
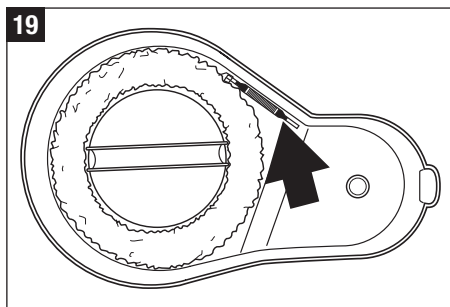
Setting the hygrostat on the AOS E2251 (21)

The electronic hygrostat enables the setting of the desired humidity (selectable between 20% - 90%). The appliance is then automatically controlled. The desired humidity can be set by pressing the ▲ and ▼ symbols.

As soon as the measured humidity is 2% below that desired, the appliance switches on automatically. Once the set humidity level has been achieved the fan blade is switched off and the appliance remains active in Standby mode.

The current humidity level is displayed in large numbers, the smaller number indicate the desired level.

If the current humidity falls below 20%, the display indicates «LO». Should the humidity exceed 90% the symbol «HI» appears.



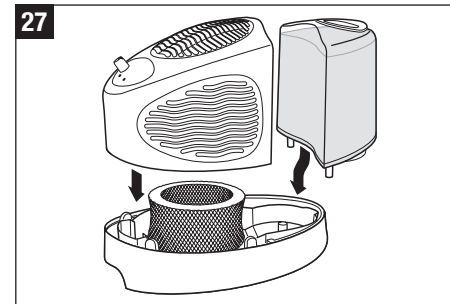
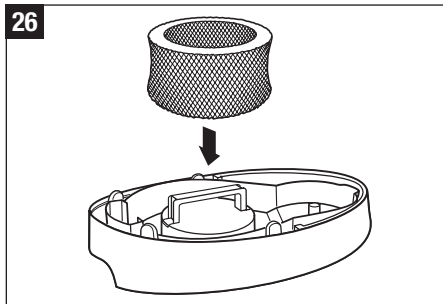
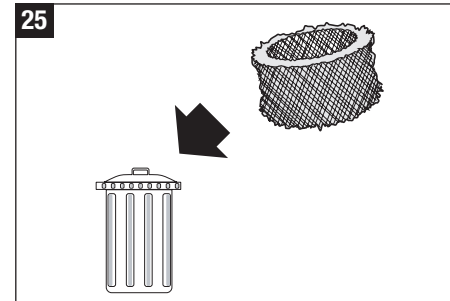
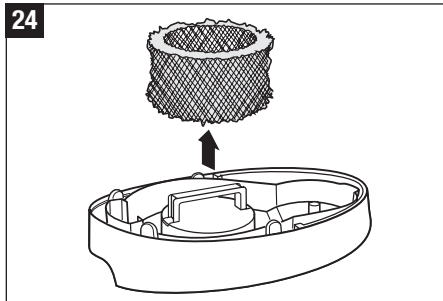
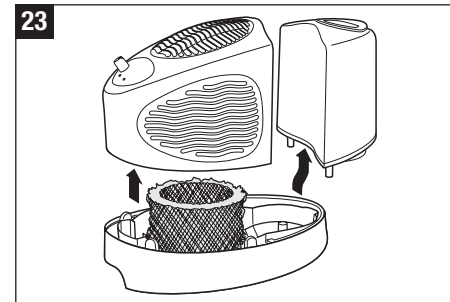
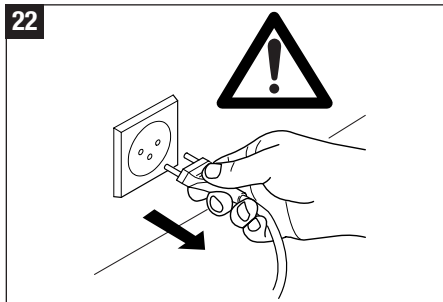
Changing the evaporator mat – every 2 – 3 months

- Residues in air and water soil and encrust the evaporator mat during operation.
- The recommended replacement interval is a nominal figure.
- Replace the evaporator mat earlier if one of the following symptoms appears:
 - Odours are produced.
 - Heavy soiling or scaling (e.g. due to hard water).
 - Significantly reduced humidification performance (e.g. due to hard water).
 - Discolouring of the mat caused by mould formation
- A beige-brown discolouring is natural and does not mean that the mat needs to be replaced.



Before changing the evaporating mat, switch the appliance off (22).

- Lift the water tank and the housing off the appliance (23).
- Remove the used mat (24) and insert the new one (26). The old evaporating mat can be disposed off along with the normal domestic refuse (25).
- Replace the housing and the freshly filled tank on the main body (27).
- Evaporating mats can be obtained from your specialist dealer, who can also provide information on additional sources.



en



Cleaning



Regular cleaning is essential to ensure hygienic, problem-free operation. Non-observance of the following cleaning recommendations can lead to the growth of micro organisms, including algae, bacteria and mould. This can in turn cause respiratory problems and other illnesses.

It is essential to clean the humidifier when the appliance contains water and has not been in operation for a week.

en



Always switch off the appliance and unplug before cleaning the appliance. Never immerse the housing in water or other liquids (28)!

Cleaning – daily



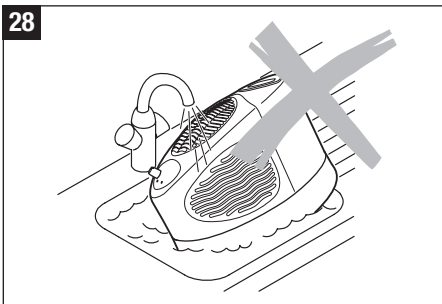
Switch off the appliance and remove the plug from the mains socket (29).

- Lift the water tank and the housing from the appliance and remove the evaporating mat (30).
- Thoroughly rinse the water tank and the water tray. Remove any deposits with a cloth or a plastic or wooden brush (31). Dry the appliance parts with a hand towel.
- Put the parts back together in their original position (32) (also described in the chapter «Putting into operation») and fill the tank with cool tap water as described in the chapter «Filling the tank».
- In order to prolong the operational life of the evaporating mat, we recommend that you turn it around every time to refill with water.

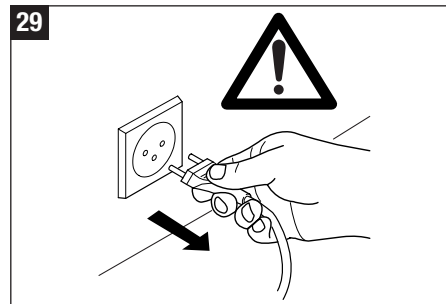


Do not wash out the evaporating mat – risk of damage (33)!

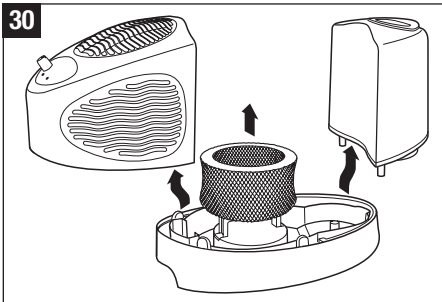
28



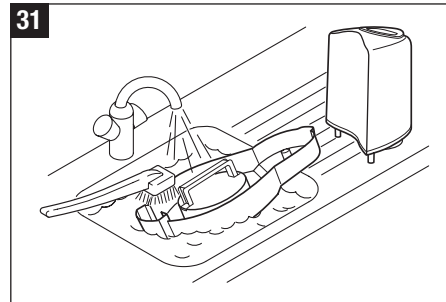
29



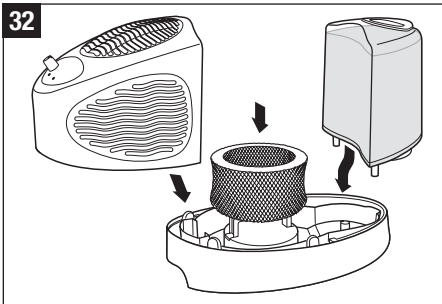
30



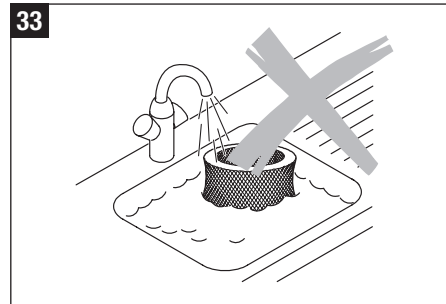
31



32



33



Cleaning – once a week

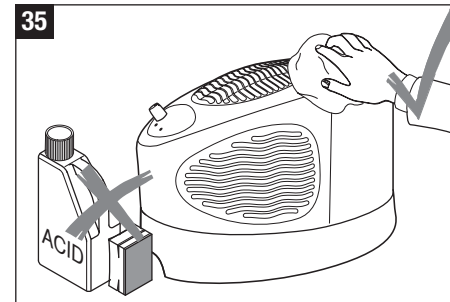
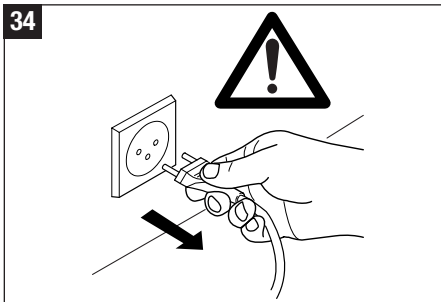


Switch of the appliance and unplug it from the socket (34).

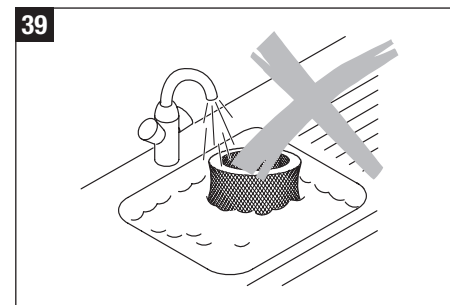
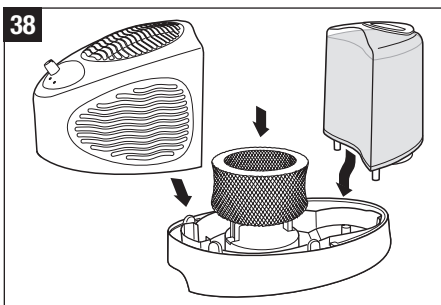
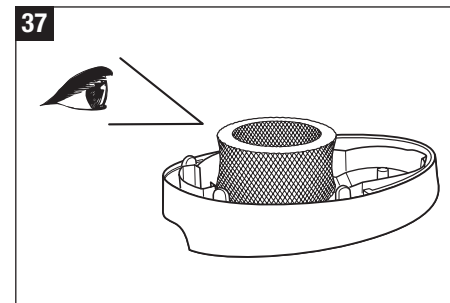
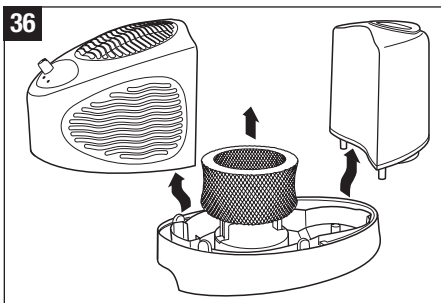
- Wipe the housing with a damp cloth; if necessary, use a plastics cleaner (35).
- Lift up the water tank and the housing from the appliance and remove the evaporating mat (36).
- In order to remove stubborn deposits on the water tray and tank, you can clean the parts in the dishwasher or by hand (see the chapter «Cleaning in the dishwasher» and «Removing scaling and mineral deposits »).
- Check the condition of the evaporating mat every week. If it feels hard, or is discoloured (caused by mineral deposits or mould), it must be replaced (37) (See description on page 21).
- Once all appliance parts have been cleaned and thoroughly dried, put the parts back together in their original position (38) (also described in the chapter «Putting into operation»). Fill the tank with cool tap water as described in the chapter «Filling the tank».



Do not wash out the evaporating mat – risk of damage (39)!



en



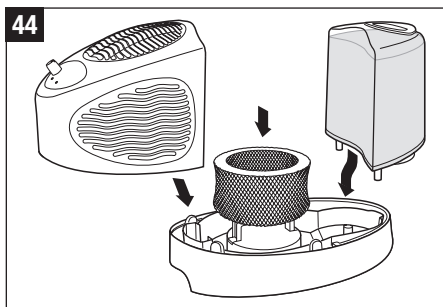
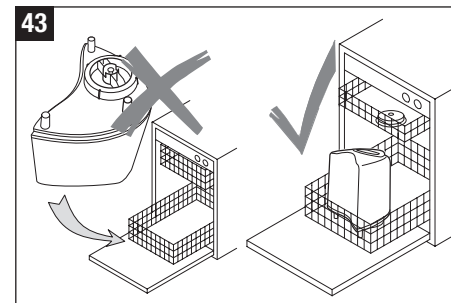
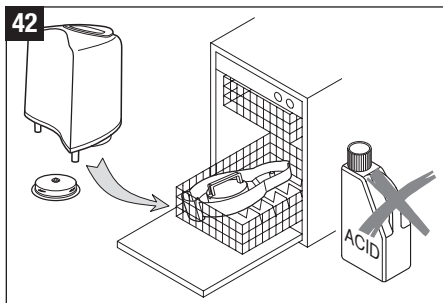
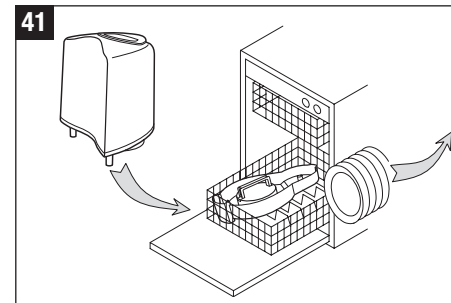
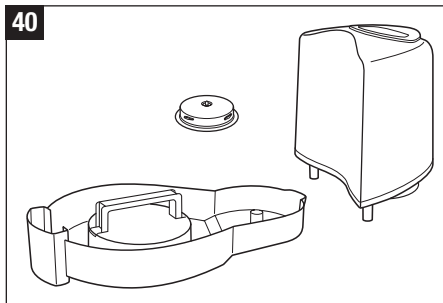


Cleaning in the dishwasher

Please note that only the appliance parts depicted in Fig 40 can be cleaned in the dishwasher. You can also distinguish these parts by their light blue colour.

Observe the following:

- Always rinse the humidifier parts separately from other kitchenware (41).
- Always use a cleaning setting with hot water.
- Should your dishwasher have a hot steam drying option, it is essential that you deactivate this!
- Do not add any acidic substances to the dishwasher while cleaning the appliance parts (42).
- ALWAYS remove the water tank lid from the tank before you put it in the dishwasher (43)!
- If possible place the water tank with the opening facing downwards. This prevents a large quantity of water from remaining in the tank.
- Should you not be able to place the water tank upright in the machine move the cutlery rack and see if this provides sufficient space.
- Once you have cleaned all appliance parts and thoroughly cleaned them put the parts back together in their original position (44) (also described in the chapter «Putting into operation»). Fill the tank with cool tap water as described in the chapter «Filling the tank».

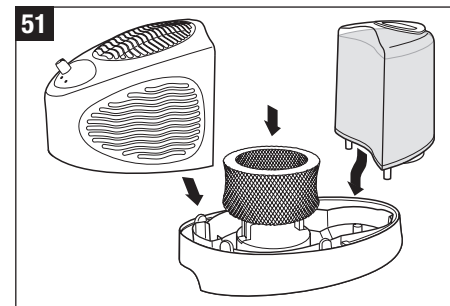
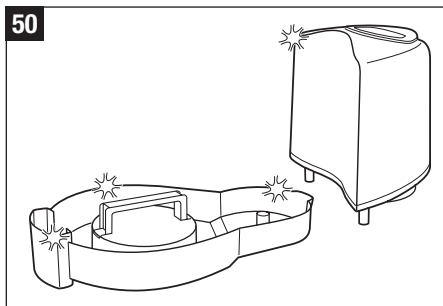
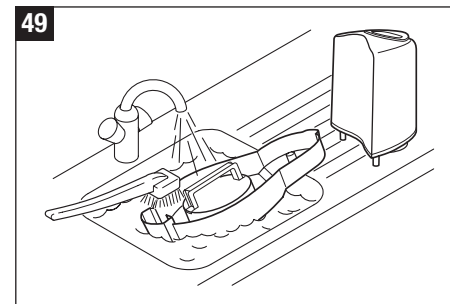
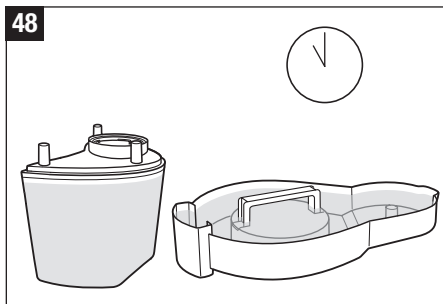
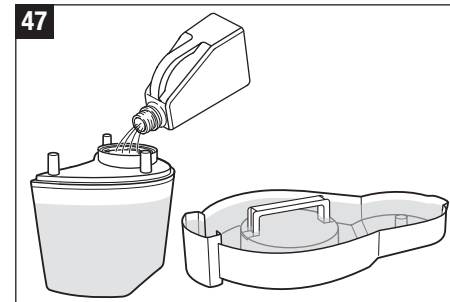
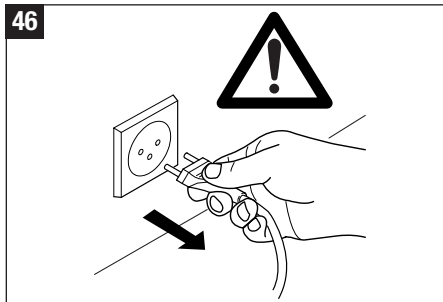


Removing scale and mineral deposits



Switch off the appliance and remove the plug from the socket (46).

- Fill the water tray and the tank with vinegar diluted in water or descaler (47).
- Allow this mixture to take effect for a few minutes/ hours (depending on the degree of soiling) (48).
- Now clean the tray and the tank with a plastic or wooden brush and wipe away all deposits with a cloth (49).
- Thoroughly rinse the parts in warm water. Remove all remains of vinegar, cleaner or descaler.
- Once all appliance parts have been cleaned and dried thoroughly (50), put the parts back together again in their original position (51) (also described in the chapter «Putting into operation»). Fill the tank with cool tap water as described in the chapter «Filling the tank».



en



Maintenance

While in operation

- Check the water level in the water tank regularly,
- Refill the water tank in good time.

Every 3 years, replace the sealing ring on the bayonet cap for the water tank.

Repairs are only to be conducted by specialists or customer services.

Storing the appliance

Clean the humidifier as described earlier and dry it thoroughly. Preferably store the appliance in its original box. Avoid high temperatures.

Disposal

Return your worn out humidifier to your dealer for proper disposal. You can obtain information on other ways to dispose of the humidifier from your local council.

Warranty

The warranty conditions are defined by our representative in the country of sale. Please contact your dealer if, despite strict quality control, your humidifier becomes defective. You must present the receipt when making a claim under the warranty.

Legal notice

The appliance is CE-certified and complies with the Directives

- 73/23/EWG concerning for electrical safety
- 89/336/EWG and 92/31/EWG concerning electro-magnetic compatibility

The right to make technical modifications is reserved. The instructions for use are protected by copyright.

Technical data AOS E2241

Mains voltage	230 V / 50 Hz
Power consumption Level I/II	19 W / 45 W
Humidity output Level I/II	350 g/h / 510 g/h
Suitable for rooms up to	85 m ² / 215 m ³
Water capacity	5.7 litres
Dimensions	445 x 237 x 280 mm
Weight (empty)	3.6 kg
Operating noise level	< 39 dB(A)
Accessories	Evaporating mat Ionic Silver Stick® (optional) Hygrostat

Technical data AOS E2251

Mains voltage	230 V / 50 Hz
Power consumption Level I/II/III	20 W / 28 W / 45 W
Humidity output Level I/II/III	410 / 530 / 600 g/h
Suitable for rooms up to	110 m ² / 275 m ³
Water capacity	6.9 litres
Dimensions	445 x 237 x 335 mm
Weight (empty)	3.9 kg
Operating noise level	< 37 dB(A)
Accessories	Evaporating mat Ionic Silver Stick®

Trouble shooting

Problem	Possible cause	What to do
Motor not running	Mains cable not plugged in	Connect to the mains
Indicator on rotary switch not illuminated	Rotary switch in position (OFF)	Place rotary switch in position (QUIET MIST/MED/HI)
Motor not running; indicator on rotary switch illuminated	Motor defective	Contact customer service
Rotary switch cannot be turned	Rotary switch defective	Contact customer service
Humidifier performance inadequate	Evaporating mat exhausted	Replace evaporating mat
Base tray flooded	Seal on water tank defective	Order spare part and replace seal
Cracks or fractures in plastic parts	Transport damage or improper use	Order spare parts or contact customer service







AIR-0-SWISS is a brand name of
PLASTON AG, Switzerland.

Free Manuals Download Website

<http://myh66.com>

<http://usermanuals.us>

<http://www.somanuals.com>

<http://www.4manuals.cc>

<http://www.manual-lib.com>

<http://www.404manual.com>

<http://www.luxmanual.com>

<http://aubethermostatmanual.com>

Golf course search by state

<http://golfingnear.com>

Email search by domain

<http://emailbydomain.com>

Auto manuals search

<http://auto.somanuals.com>

TV manuals search

<http://tv.somanuals.com>