

# aiwa

**COMPACT DISC STEREO SYSTEM**  
**SISTEMA ESTEREO CON REPRODUCTOR DE DISCOS COMPACTOS**  
**CHAINE STEREO AVEC LECTEUR DE DISQUES COMPACTS**

# CX-NAJ54

**-For NSX-AJ54 and NSX-AJ55**

**OPERATING INSTRUCTIONS**  
**MANUAL DE INSTRUCCIONES**  
**MODE D'EMPLOI**

**En** (English)

**E** (Español)

**F** (Français)

## Owner's record

For your convenience, record the model number and serial number (you will find them on the rear of your set) in the space provided below. Please refer to them when you contact your Aiwa dealer in case of difficulty.

Model No. \_\_\_\_\_

Serial No. \_\_\_\_\_

For assistance and information

**call toll free 1-800-BUY-AIWA** (United States and Puerto Rico)

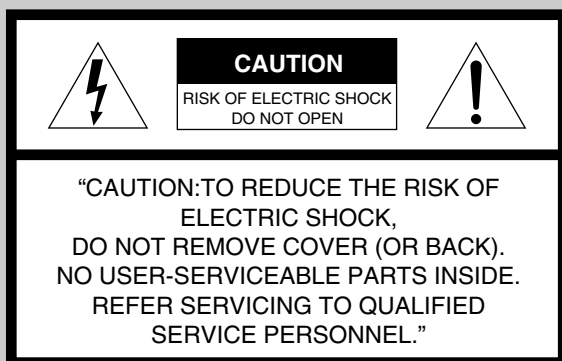
8A-NFJ-903-01  
000102AMI-U-B

**U**

**COMPACT**  
**disc**  
**DIGITAL AUDIO**

## WARNING

TO REDUCE THE RISK OF FIRE OR ELECTRIC SHOCK, DO NOT EXPOSE THIS APPLIANCE TO RAIN OR MOISTURE.



### Explanation of Graphical Symbols:



The lightning flash with arrowhead symbol, within an equilateral triangle, is intended to alert the user to the presence of uninsulated "dangerous voltage" within the product's enclosure that may be of sufficient magnitude to constitute a risk of electric shock to persons.



The exclamation point within an equilateral triangle is intended to alert the user to the presence of important operating and maintenance (servicing) instructions in the literature accompanying the appliance.

## NOTE

This equipment has been tested and found to comply with the limits for a Class B digital device, pursuant to Part 15 of the FCC Rules. These limits are designed to provide reasonable protection against harmful interference in a residential installation.

This equipment generates, uses, and can radiate radio frequency energy and, if not installed and used in accordance with the instructions, may cause harmful interference to radio communications. However, there is no guarantee that interference will not occur in a particular installation. If this equipment does cause harmful interference to radio or television reception, which can be determined by turning the equipment off and on, the user is encouraged to try to correct the interference by one or more of the following measures:

- Reorient or relocate the receiving antenna.
- Increase the separation between the equipment and receiver.
- Connect the equipment into an outlet on circuit different from that to which the receiver is connected.
- Consult the dealer or an experienced radio/TV technician for help.

## CAUTION

Modifications or adjustments to this product, which are not expressly approved by the manufacturer, may void the user's right or authority to operate this product.

## PRECAUTIONS

Read the Operating Instructions carefully and completely before operating the unit. Be sure to keep the Operating Instructions for future reference. All warnings and cautions in the Operating Instructions and on the unit should be strictly followed, as well as the safety suggestions below.

### Installation

- 1 Water and moisture** — Do not use this unit near water, such as near a bathtub, washbowl, swimming pool, or the like.
- 2 Heat** — Do not use this unit near sources of heat, including heating vents, stoves, or other appliances that generate heat. It also should not be placed in temperatures less than 5°C (41°F) or greater than 35°C (95°F).
- 3 Mounting surface** — Place the unit on a flat, even surface.
- 4 Ventilation** — The unit should be situated with adequate space around it so that proper heat ventilation is assured. Allow 10 cm (4 in.) clearance from the rear and the top of the unit, and 5 cm (2 in.) from each side.
  - Do not place the unit on a bed, rug, or similar surface that may block the ventilation openings.
  - Do not install the unit in a bookcase, cabinet, or airtight rack where ventilation may be impeded.
- 5 Objects and liquid entry** — Take care that objects or liquids do not get inside the unit through the ventilation openings.
- 6 Carts and stands** — When placed or mounted on a stand or cart, the unit should be moved with care. Quick stops, excessive force, and uneven surfaces may cause the unit or cart to overturn or fall.



- 7 Condensation** — Moisture may form on the CD pickup lens when:
  - The unit is moved from a cold spot to a warm spot
  - The heating system has just been turned on
  - The unit is used in a very humid room
  - The unit is cooled by an air conditioner
 When this unit has condensation inside, it may not function normally. Should this occur, leave the unit for a few hours, then try to operate again.
- 8 Wall or ceiling mounting** — The unit should not be mounted on a wall or ceiling, unless specified in the Operating Instructions.

### Electric Power

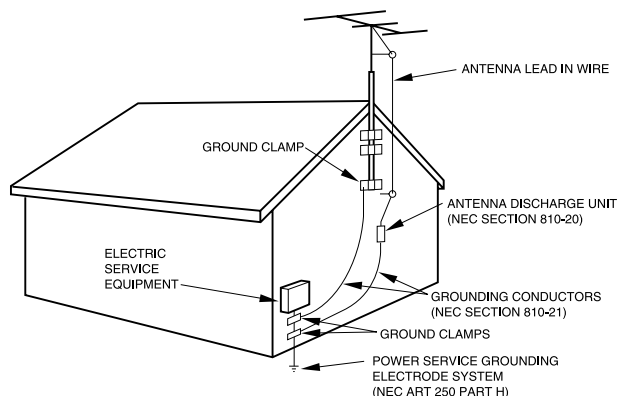
- 1 Power sources** — Connect this unit only to power sources specified in the Operating Instructions, and as marked on the unit.
- 2 Polarization** — As a safety feature, some units are equipped with polarized AC power plugs which can only be inserted one way into a power outlet. If it is difficult or impossible to insert the AC power plug into an outlet, turn the plug over and try again. If it still does not easily insert into the outlet, please call a qualified service technician to service or replace the outlet. To avoid defeating the safety feature of the polarized plug, do not force it into a power outlet.
- 3 AC power cord**
  - When disconnecting the AC power cord, pull it out by the AC power plug. Do not pull the cord itself.
  - Never handle the AC power plug with wet hands, as this could result in fire or shock.
  - Power cords should be firmly secured to avoid being severely bent, pinched, or walked upon. Pay particular attention to the cord from the unit to the power outlet.
  - Avoid overloading AC outlets and extension cords beyond their capacity, as this could result in fire or shock.

- 4 **Extension cord** — To help prevent electric shock, do not use a polarized AC power plug with an extension cord, receptacle, or other outlet unless the polarized plug can be completely inserted to prevent exposure of the blades of the plug.
- 5 **When not in use** — Unplug the AC power cord from the power outlet if the unit will not be used for several months or more. When the cord is plugged in, a small amount of current continues to flow to the unit, even when the power is turned off.

### Outdoor Antenna

- 1 **Power lines** — When connecting an outdoor antenna, make sure it is located away from power lines.
- 2 **Outdoor antenna grounding** — Be sure the antenna system is properly grounded to provide protection against unexpected voltage surges or static electricity build-up. Article 810 of the National Electrical Code, ANSI/NFPA 70, provides information on proper grounding of the mast, supporting structure, and the lead-in wire to the antenna discharge unit, as well as the size of the grounding unit, connection to grounding terminals, and requirements for grounding terminals themselves.

Antenna Grounding According to the National Electrical Code



NEC-NATIONAL ELECTRICAL CODE

### Maintenance

Clean the unit only as recommended in the Operating Instructions.

### Damage Requiring Service

- Have the units serviced by a qualified service technician if:
- The AC power cord or plug has been damaged
  - Foreign objects or liquid have gotten inside the unit
  - The unit has been exposed to rain or water
  - The unit does not seem to operate normally
  - The unit exhibits a marked change in performance
  - The unit has been dropped, or the cabinet has been damaged
- DO NOT ATTEMPT TO SERVICE THE UNIT YOURSELF.**

### Check your system and accessories

#### NSX-AJ54

CX-NAJ54 Compact disc stereo cassette receiver  
SX-WNAJ53 Front speakers

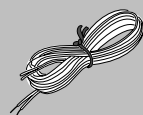
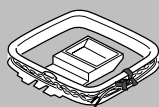
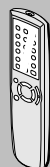
#### NSX-AJ55

CX-NAJ54 Compact disc stereo cassette receiver  
SX-WNAJ53 Front speakers  
SX-R275 Surround speakers

Remote control

AM antenna

FM antenna



## TABLE OF CONTENTS

PRECAUTIONS .....	2
<b>PREPARATIONS</b>	
CONNECTIONS .....	4
REMOTE CONTROL .....	6
BEFORE OPERATION .....	6
SETTING THE CLOCK .....	7
<b>SOUND</b>	
AUDIO ADJUSTMENTS .....	8
GRAPHIC EQUALIZER .....	8
<b>RADIO RECEPTION</b>	
MANUAL TUNING .....	9
PRESETTING STATIONS .....	10
<b>TAPE PLAYBACK</b>	
BASIC OPERATIONS .....	11
<b>CD PLAYING</b>	
BASIC OPERATIONS .....	12
PROGRAMMED PLAY .....	13
<b>RECORDING</b>	
BASIC RECORDING .....	14
DUBBING A TAPE MANUALLY .....	15
DUBBING THE WHOLE TAPE .....	15
AI EDIT RECORDING .....	16
PROGRAMMED EDIT RECORDING .....	17
<b>TIMER</b>	
SETTING THE SLEEP TIMER .....	18
SETTING THE TIMER .....	18
<b>OTHER FEATURES</b>	
DEMO (Demonstration) .....	20
<b>OTHER CONNECTIONS</b>	
CONNECTING OPTIONAL EQUIPMENT .....	21
LISTENING TO EXTERNAL SOURCES .....	21
<b>GENERAL</b>	
CARE AND MAINTENANCE .....	22
TROUBLESHOOTING GUIDE .....	22
SPECIFICATIONS .....	23
PARTS INDEX .....	Back cover

En

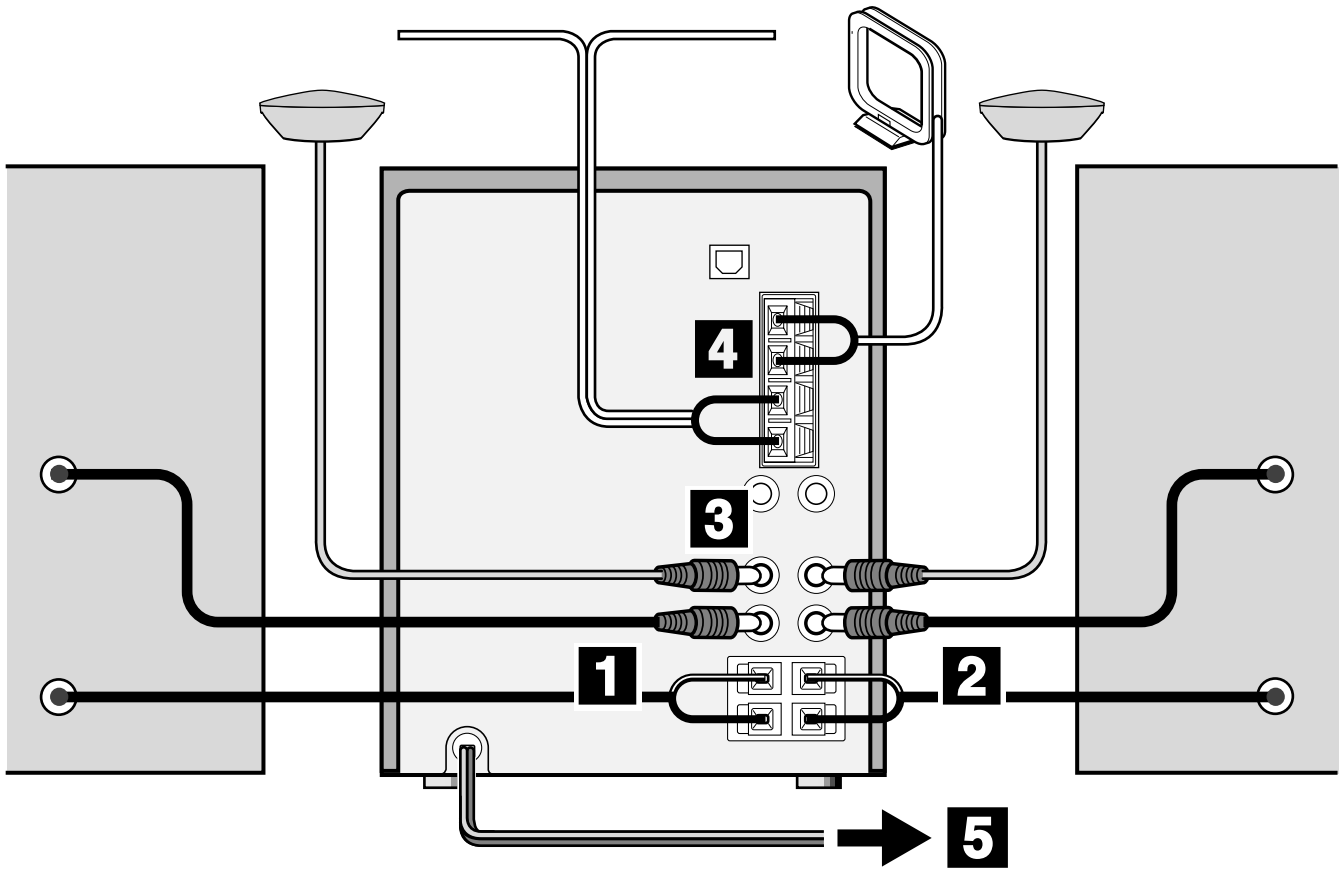
# CONNECTIONS

**Before connecting the AC cord**

The rated voltage of your unit shown on the rear panel is 120 V AC. Check that the rated voltage matches your local voltage.

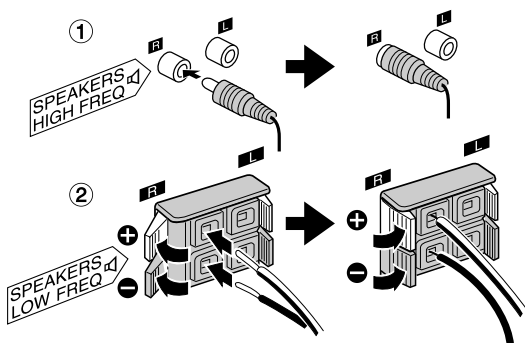
**IMPORTANT**

Connect the speakers, antennas, and all optional equipment first. Then connect the AC cord.



**1 Connect the right speaker to the main unit.**

- ① Connect the speaker cord with the plug to the **SPEAKERS HIGH FREQ R** terminal.
- ② Connect the speaker cord with the white stripe to the **SPEAKERS LOW FREQ R**  $\oplus$  terminal and the black cord to the  $\ominus$  terminal.

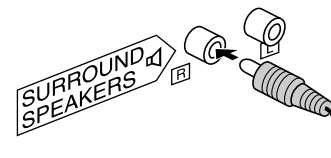


**2 Connect the left speaker to the main unit.**

Connect the speaker cord with plug to the **SPEAKERS HIGH FREQ L** terminal, and another speaker cord to the **SPEAKERS LOW FREQ L** terminals in the same manner as step 1.

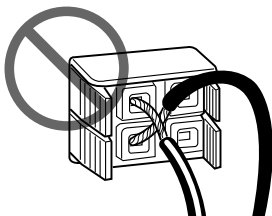
**3 Connect the surround speakers to the main unit. (only for NSX-AJ55)**

Connect each surround speaker cord to **SURROUND SPEAKERS R** or **L** terminal.



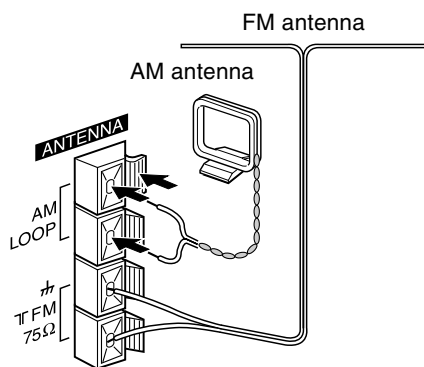
**NOTE**

- Be sure to connect the speaker cords correctly. Improper connections can cause short circuits in **SPEAKERS** terminals.



**4 Connect the supplied antennas.**

Connect the FM antenna to **FM 75 Ω** terminals and the AM antenna to **AM LOOP** terminals.



**5 Connect the AC cord to an AC outlet.**

The DEMO will begin when the AC cord is plugged into an AC outlet for the first time. To deactivate the DEMO, set the clock.

**NOTE**

- Do not leave objects generating magnetism, such as credit cards, near the speakers, as these objects may be damaged.
- Do not bring the FM antenna near metal objects or curtain rails.
- Do not bring the AM antenna near other optional equipment, the stereo system itself, the AC cord or speaker cords, since noise will be picked up.
- Do not unwind the AM antenna wire.

**To position the antennas**

**FM feeder antenna:**

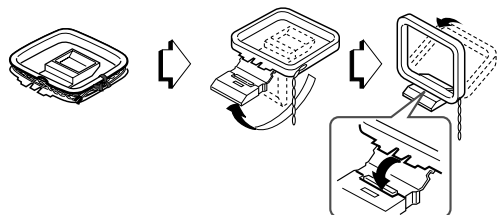
Extend this antenna horizontally in a T-shape and fix its ends to the wall.

**AM antenna:**

Position and rotate this antenna to find the best possible reception.

**To stand the AM antenna on a surface**

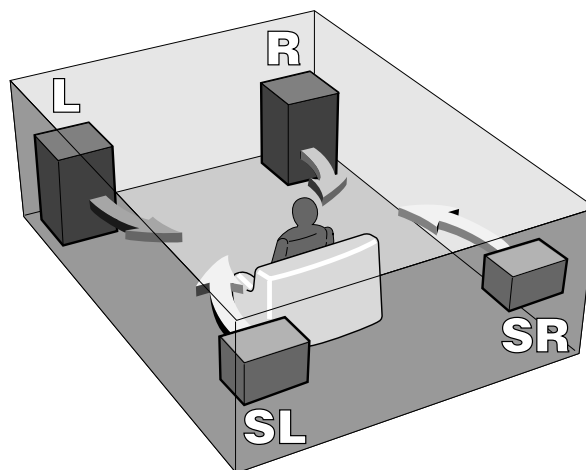
Fix the claw to the slot.



**POSITIONING THE SPEAKERS (only for NSX-AJ55)**

Position the speakers to make the most of the surround speaker effect.

**Standard positioning**



**R: Front speaker (Right)**

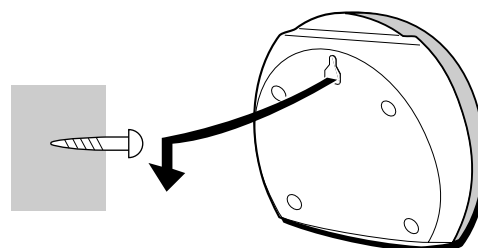
**L: Front speaker (Left)**

**SL & SR: Surround speakers**

Place the surround speakers behind the listening area.

**To mount the surround speakers on the wall**

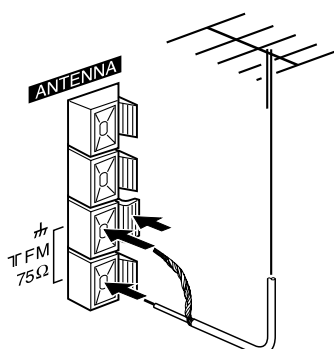
Mount each speaker on a spot that can hold its weight.



**CONNECTING AN OUTDOOR ANTENNA**

For better FM reception, use of an outdoor antenna is recommended.

Connect the outdoor antenna to **FM 75 Ω** terminals.

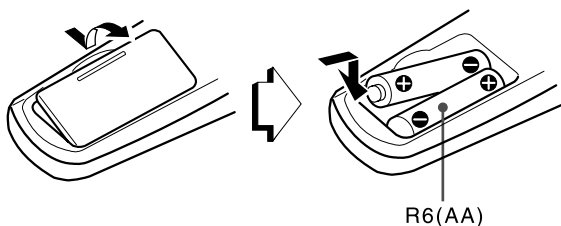


To connect other optional equipment → page 21.

## REMOTE CONTROL

### Inserting batteries

Detach the battery cover on the rear of the remote control and insert two R6 (size AA) batteries.



### When to replace the batteries

The maximum operational distance between the remote control and the sensor on the main unit should be approximately 5 meters (16 feet). When this distance decreases, replace the batteries with new ones.

### To use SHIFT on the remote control

Buttons ① have two different functions. One of these functions is indicated on the button, and the other on the plate above the button.

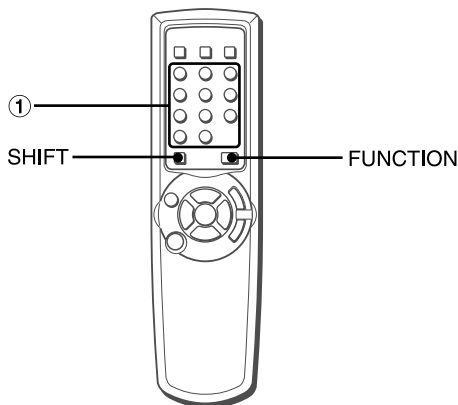
To use the function on the button, simply press the button.

To use the function on the plate above the button, press the button while pressing **SHIFT**.

### To use FUNCTION on the remote control

**FUNCTION** substitutes for the function buttons (**TAPE DECK 1/2**, **TUNER BAND**, **VIDEO/AUX**, **CD**) on the main unit.

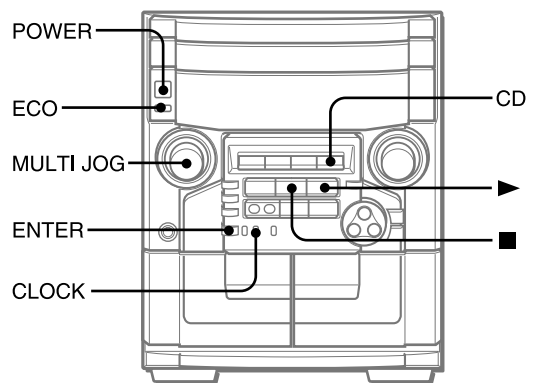
Each time **FUNCTION** is pressed, the next function is selected cyclically. When tapes are inserted in both decks, each deck is selected with **FUNCTION**.



### NOTE

- If the remote control is not going to be used for an extended period of time, remove the batteries to prevent possible electrolyte leakage.
- The remote control may not operate correctly when:
  - The line of sight between the remote control and the remote sensor inside the display window is exposed to intense light, such as direct sunlight
  - Other remote controls are used nearby (those of a television, etc.)

## BEFORE OPERATION



### To turn the power on

Press one of the function buttons (**TAPE**, **TUNER**, **VIDEO/AUX**, **CD**). Playback of the inserted disc or tape begins, or the previously tuned station is received (Direct Play Function).

**POWER** is also available.

### NOTE

When the power is turned on, the disc compartment may open and close to reset the unit.

### To turn the power off

Press **POWER**.

## DEMO(Demonstration)

When the AC cord is plugged into an AC outlet for the first time after purchase, the DEMO will begin in the display. When the power is turned on, the DEMO will end. When the power is turned off, the DEMO will begin again.

When the clock is set, the DEMO will not begin even if the power is turned off.

### To deactivate or activate DEMO

Press **CLOCK**, and clock is displayed in place of the DEMO.

Press ► to activate.

( For more about the DEMO, see page 20 )

## SETTING POWER ECONOMIZING MODE

When you set power economizing mode to "ECO ON" or "ECO AUTO", the unit reduces power consumption by conducting four ECO operations as follows.

### ECO ON

- The unit (all the illumination of the display and the buttons) blacks out when the power is turned off. Only the red indicator lights up.
- If DIMMER (1-3) is selected, the illumination of the display and the buttons brighten for 10 seconds only when you press a button, or turn **VOLUME** or **MULTI JOG**.
- The display dimmer mode is set to the dimmest, the button illumination lights off, and the volume is set to the minimum (0) when the unit turns on by timer recording.

### ECO AUTO

- In addition to the three operations of ECO ON, the unit automatically turns itself off if you do not operate it and the sound source is mute for 10 minutes.

### ECO OFF

The power economizing mode does not function.

### 1 Press ECO.

"ECO MODE" will be displayed.



### 2 Press ENTER within 4 seconds.

The current power-economizing mode status will be displayed.

### 3 Turn MULTI JOG within 4 seconds to select one of the power-economizing mode.

Example: When "ECO ON" is selected.



### 4 Press ENTER within 4 seconds.

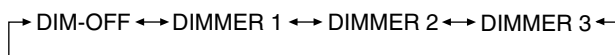
#### NOTE

If the clock is not set, the unit does not black out. Instead, the DEMO will begin when the power is turned off.

## DIMMER MODE

To change the display dimmer mode

- 1 Press **ECO** repeatedly until "DIM MODE" is displayed.
- 2 Within 4 seconds, press **ENTER**.
- 3 Within 4 seconds, turn **MULTI JOG** to select one of the dimmer modes changed cyclically as below.
- 4 Within 4 seconds, press **ENTER**.



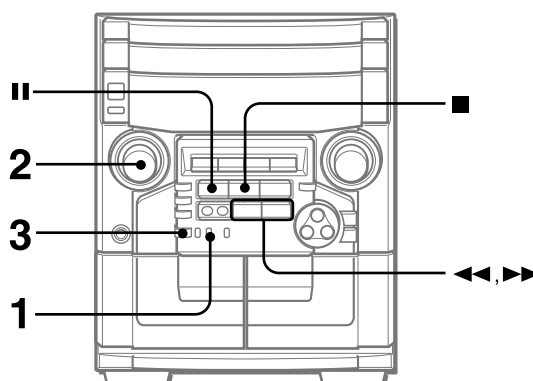
"DIM-OFF" mode is the brightest and "DIMMER 3" mode is the dimmest. In "DIMMER 3" mode, the spectrum analyzer, the window of the unit top, and the button illumination light off in addition.

## FLASH WINDOW

The window on the top of the unit lights up or flashes while the unit is being powered on.

To turn off the light of the top window, press **■** while pressing **CD**. To turn back on, repeat the above.

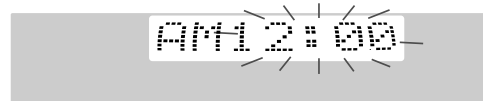
## SETTING THE CLOCK



### 1 Press CLOCK.

When using the remote control, press **CLOCK** while pressing **SHIFT**.

The clock is displayed. (The ":" between the hours and minutes flashes.)



### 2 Within 4 seconds, turn MULTI JOG to designate the hour and the minute.

Turning **MULTI JOG** changes both the hour and the minute. **◀◀** or **▶▶** is also available in place of **MULTI JOG**. Holding these buttons down will vary the time rapidly.

### 3 Press ENTER or II.

The clock starts from 00 seconds.

#### To restore an original clock setting

Press **CLOCK** before completing step 3 to restore the previous time setting. This cancels any new setting.

#### To view the clock when another display is in the display

Press **CLOCK**. The time is displayed for 4 seconds and then the original display reappears. However, the clock cannot be displayed during recording.

#### To switch to the 24-hour standard

Press **CLOCK** and then press **■** within 4 seconds. Repeat the same procedure to restore the 12-hour standard.

In the 12-hour standard, "AM 12:00" indicates midnight and "PM 12:00" indicates noon.

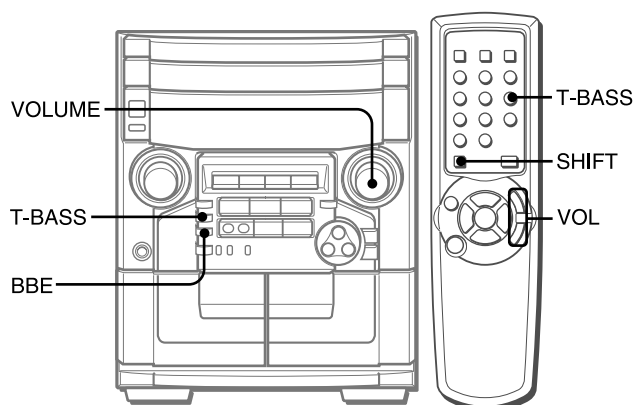
#### If the clock display flashes

If the display flashes when the clock is displayed, it indicates that the clock has stopped due to a power failure or the removal of the power cord. The current time needs to be reset.

#### NOTE

If the power-economizing mode (page 6) is on, the unit blacks out when the power is turned off. To view the clock, press **CLOCK** so that the time is displayed for 4 seconds.

## AUDIO ADJUSTMENTS



### VOLUME

Turn **VOLUME** on the main unit, or press **VOL** on the remote control.

The volume level is displayed as a number from 0 to MAX (31). The volume level is automatically set to 16 when the power is turned off with the volume level set to 17 or more.

### BBE SYSTEM

The BBE system enhances the clarity of high-frequency sound. Press **BBE**.

Each time it is pressed, the level changes. Select one of the three levels, or the off position to suit your preference.



### SUPER T-BASS SYSTEM

The T-BASS system enhances the realism of low-frequency sound.

Press **T-BASS**.

Each time it is pressed, the level changes. Select one of the three levels, or the off position to suit your preference.



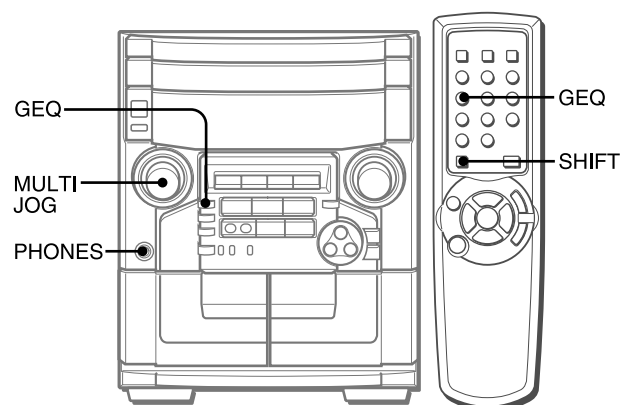
#### To select with the remote control

Press **T-BASS** while pressing **SHIFT**.

#### NOTE

- When playing back a tape recorded with BBE, it is recommended that BBE be set to off to avoid distorted high frequency sound.
- Low frequency sound may be distorted when the T-BASS system is used for a disc or tape in which low frequency sound is originally emphasized. In this case, cancel the T-BASS system.

## GRAPHIC EQUALIZER



This unit provides the following five different equalization curves.

**ROCK:** Powerful sound emphasizing treble and bass

**POP:** More presence in the vocals and midrange

**LATIN:** Accented higher frequencies for latin music.

**CLASSIC:** Enriched sound with heavy bass and fine treble.

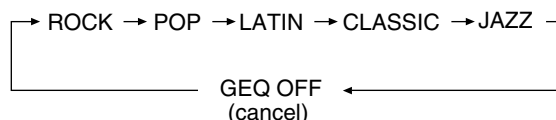
**JAZZ:** Accented lower frequencies for jazz-type music

Press **GEQ** repeatedly, or press **GEQ** once and turn **MULTI JOG** within 4 seconds, to select one of the equalization curves.

#### GRAPHIC EQUALIZER



"GRAPHIC EQUALIZER" appears and the GEQ mode is displayed cyclically as follows.



\* The GEQ mode can be displayed in reverse order if **MULTI JOG** is used.

#### To display the current GEQ mode

Press **GEQ**. The current mode is displayed for 4 seconds.

#### To cancel the selected mode

Press **GEQ** repeatedly, or press **GEQ** once and turn **MULTI JOG** within 4 seconds, to select "GEQ OFF".

"GRAPHIC EQUALIZER" disappears.

#### To select with the remote control

Press **GEQ** repeatedly while pressing **SHIFT**. The GEQ mode is displayed cyclically as above.

#### Using the headphones

Connect headphones to the **PHONES** jack with a standard stereo plug (ø6.3 mm, 1/4 inch).

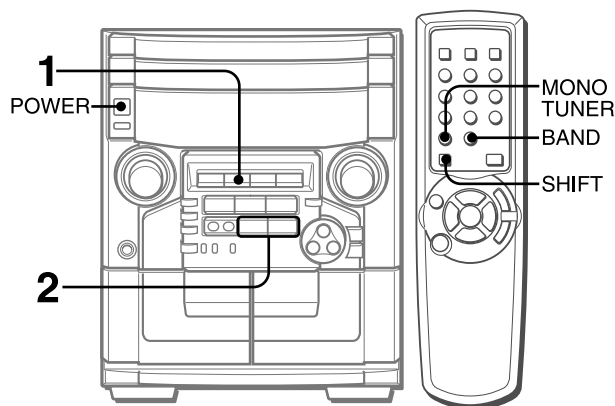
No sound is output from the speakers while the headphones are plugged in.

#### Sound adjustment during recording

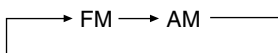
The output volume and tone (except BBE) of the speakers or headphones are freely varied without affecting the recording.



**MANUAL TUNING**



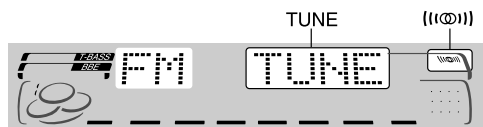
**1 Press TUNER BAND repeatedly to select the desired band.**



When **TUNER BAND** is pressed while the power is off, the power is turned on directly.

**To select a band with the remote control**  
Press **BAND** while pressing **SHIFT**.

**2 Press ◀◀ DOWN or ▶▶ UP to select a station.**  
Each time the button is pressed, the frequency changes.  
When a station is received, "TUNE" is displayed for 2 seconds.  
During FM stereo reception, ((Ⓜ)) is displayed.



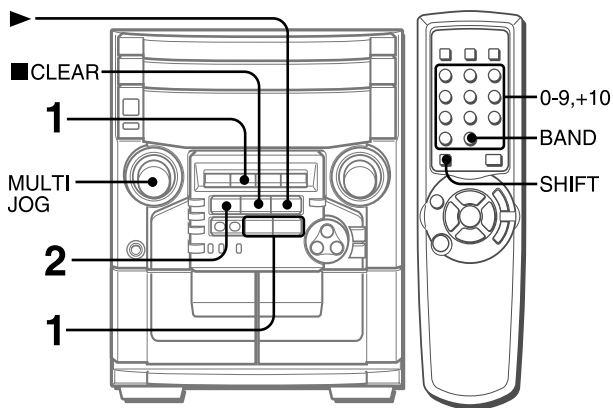
**To search for a station quickly (Auto Search)**  
Keep ◀◀ **DOWN** or ▶▶ **UP** pressed until the frequency starts to change rapidly. After tuning in to a station, the search stops.  
To stop the Auto Search manually, press ◀◀ **DOWN** or ▶▶ **UP**.  
• The Auto Search may not stop at stations with very weak signals.

**When an FM stereo broadcast contains noise**  
Press **MONOTUNER** on the remote control while pressing **SHIFT** so that "MONO" appears on the display.  
Noise is reduced, although reception is monaural.  
To restore stereo reception, repeat the above so that "MONO" disappears.

**To change the AM tuning interval**  
The default setting of the AM tuning interval is 10 kHz/step. If you use this unit in an area where the frequency allocation system is 9 kHz/step, change the tuning interval.  
Press **POWER** while pressing **TUNER BAND**.  
To reset the interval, repeat this procedure.

**NOTE**  
When the AM tuning interval is changed, all preset stations are cleared. The preset stations have to be set again.

# PRESETTING STATIONS

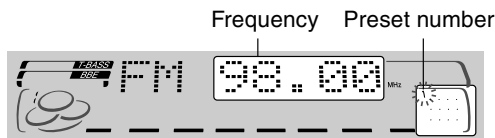


The unit can store a total of 32 preset stations. When a station is stored, a preset number is assigned to the station. Use the preset number to tune in to a preset station directly.

**1 Press TUNER BAND to select a band, and press ◀ DOWN or ▶ UP to select a station.**

**2 Press ■ SET to store the station.**

A preset number beginning from 1 in consecutive order for each band is assigned to the station.



**3 Repeat steps 1 and 2.**

The next station will not be stored if a total of 32 preset stations for all the bands have already been stored.

## NOTE

"FULL" is displayed if you attempt to store more than 32 preset stations.

# PRESET NUMBER TUNING

Use the remote control to select the preset number directly.

**1 Press BAND while pressing SHIFT to select a band.**

**2 Press numbered buttons 0-9 and +10 to select a preset number.**

Example:

To select preset number 20, press +10, +10 and 0.

To select preset number 15, press +10 and 5.

## Selecting a preset number on the main unit

Press **TUNER BAND** to select a band. Then, press ▶ repeatedly or turn **MULTI JOG**.

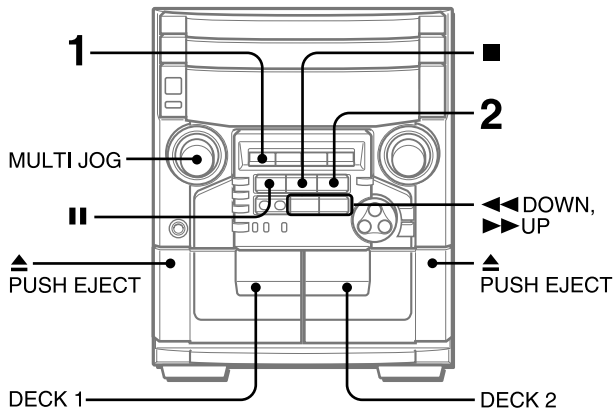
Each time ▶ is pressed, the next ascending number is selected.

## To clear a preset station

Select the preset number of the station to be cleared. Then, press ■ **CLEAR**, and press ■ **SET** within 4 seconds.

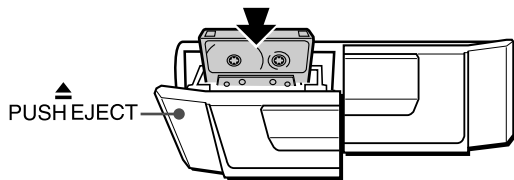
The preset numbers of all other stations in the band with higher numbers are also decreased by one.

# BASIC OPERATIONS



**This unit is designed for optimal playback of Type I (normal) tapes.**

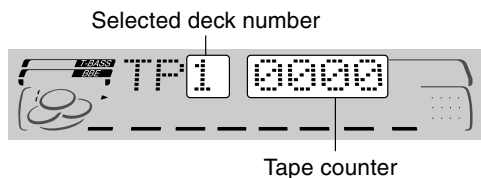
**1 Press TAPE and press ▲ PUSH EJECT to open the cassette holder.**



Insert a tape with the exposed side down. Push the cassette holder to close.

**2 Press ► to start play.**

Only the side facing out from the unit can be played back.



**To select a playing deck**

When tapes are loaded in both decks, press **TAPE** first to select a deck. The selected deck number is displayed.

**To stop play, press ■.**

**To pause play (deck 2 only), press ■■.** To resume play, press again.

**To fast forward or rewind, press ◀◀ or ▶▶.** Then press ■ to stop the tape.

**To start play when the power is off (Direct Play Function)**

Press **TAPE**. The power is turned on and play of the inserted tape begins.

**To set the tape counter to 0000**

Press ■ **CLEAR** in stop mode. The counter is also set to 0000 when the cassette holder is opened.

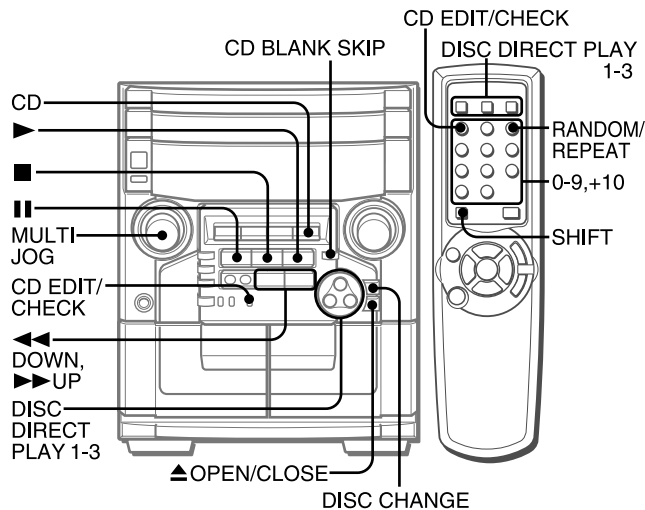
**When tapes are loaded in both decks**

After playback on deck 1 finishes, the tape in the deck 2 will start to play without interruption and will stop at the end of the tape. (Continuous play)

**NOTE**

Type II (High position) tapes can also be played back in this unit. When playing back a Type II tape, turn **MULTI JOG** to display "SOFT" in the display. This will set the optimum playback sound for Type II tapes. However, "SOFT" playback will be canceled if any graphic equalizer is selected (page 8), the unit is switched to a different audio source, the cassette holder is open, or when the power is turned off.

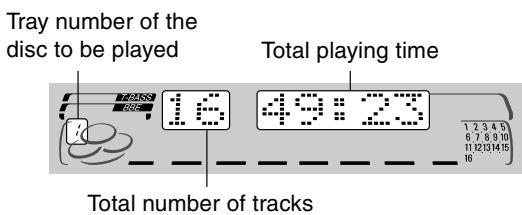
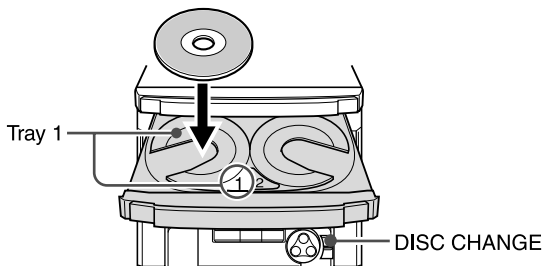
# BASIC OPERATIONS



## LOADING DISCS

Press **CD**, then press **▲ OPEN/CLOSE** to open the disc compartment. Load disc(s) with the label side up.

**To play one or two discs**, place the discs on tray 1 and 2.  
**To play three discs**, press **DISC CHANGE** to rotate the trays after placing two discs. Place the third disc on tray 3.  
 Close the disc compartment by pressing **▲ OPEN/CLOSE**.



## PLAYING DISCS

Load discs.

**To play all discs in the disc compartment, press ►.**  
 Play begins with the disc on tray 1.

Number of track being played Elapsed playing time



**To play one disc only, press DISC DIRECT PLAY 1-3.**  
 The selected disc is played once.

**To stop play, press ■.**  
**To pause play, press II.** To resume play, press again.  
**To search for a particular point during playback, keep ◀◀ or ▶▶ pressed and release it at the desired point.**  
**To skip to the beginning of a track during playback, press ◀◀ or ▶▶ repeatedly or turn MULTI JOG.**  
**To remove discs, press ▲ OPEN/CLOSE.**

**To start play when the power is off (Direct Play Function)**  
 Press **CD**. The power is turned on and play of the loaded disc(s) begins.  
 When **▲ OPEN/CLOSE** is pressed, the power is also turned on and the disc compartment is opened.

**To check the remaining time**  
 During play (except random play or programmed play), press **CD EDIT/CHECK**. The amount of time remaining until all tracks finish playing is displayed. To restore the playing time display, repeat the above.  
 When using the remote control, press **CD EDIT/CHECK** while pressing **SHIFT**.

### Selecting a track with the remote control

- 1 Press **DISC DIRECT PLAY 1-3** to select a disc.
  - 2 Press numbered buttons **0-9** and **+10** to select a track.
- Example:  
 To select the 25th track, press **+10, +10** and **5**.  
 To select the 10th track, press **+10** and **0**.  
 The selected track starts to play and continues to the end of that disc.

### Replacing discs during play

While one disc is playing, the other discs can be replaced without interrupting play.

- 1 Press **DISC CHANGE**.
- 2 Remove the discs and replace with other discs.
- 3 Press **▲ OPEN/CLOSE** to close the disc compartment.

### NOTE

- When loading an 8-cm (3-inch) disc, put it onto the inner circle of the tray.
- Do not place more than one compact disc on one disc tray.
- Do not tilt the unit with discs loaded. Doing so may cause malfunctions.
- Do not use irregular shape CDs (example: heart-shaped, octagonal ones). It may result in malfunctions.
- The unit may not play a CD-R/RW disc that is recorded on personal computers or some kinds of CD-R/RW recorders because of differences in recording platforms.
- Do not attach any seal or label to either side (the recordable side or the labeled side) of a CD-R/RW disc. It may cause malfunction.

## RANDOM/REPEAT PLAY

Use the remote control.

### RANDOM play

All the tracks on the selected disc or all the discs can be played randomly.


### REPEAT play


A single disc or all the discs can be played repeatedly.

### Press RANDOM/REPEAT while pressing SHIFT.


Each time it is pressed, the function can be selected cyclically.

**RANDOM play** — RANDOM lights up on the display.

**REPEAT play** —  lights up on the display.


**RANDOM/REPEAT play** — RANDOM and  light up on the display.

**Cancel** — RANDOM and  disappear from the display.

**To play all discs**, press  to start play.

**To play a single disc**, press one of **DISC DIRECT PLAY 1-3** to start play.

### NOTE

During random play it is not possible to skip to the previously played track with .

## BLANK SKIP PLAY

The silent portions between tracks recorded on a CD can be skipped during playback.

### 1 Press CD BLANK SKIP.

"CD BLANK SKIP ON" is displayed and a small dot will appear in the display.



### 2 Press to start playback.

The silent portions between tracks will be skipped, and the sound will be played back without interruption. If a track fades out (ends with the sound gradually decreasing), the fadeout portion also will be skipped.

### To return to normal playback

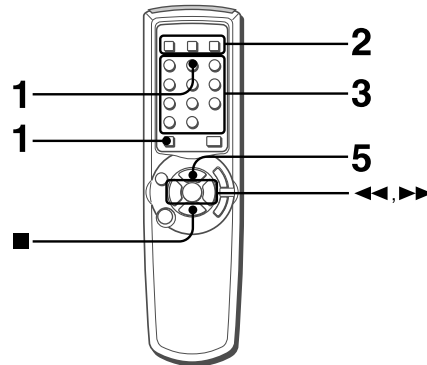
Press **CD BLANK SKIP** again, and the dot in the display will disappear.

### NOTE

- There may be a case where BLANK SKIP PLAY does not function correctly.
- BLANK SKIP PLAY is automatically canceled when performing AI EDIT RECORDING (page 16), PROGRAMMED EDIT RECORDING (page 17), or recording during PROGRAMMED PLAY (page 13) or RANDOM PLAY (page 13).

## PROGRAMMED PLAY

Up to 30 tracks can be programmed from any of the inserted discs.



Use the remote control.

### 1 Press PRGM while pressing SHIFT in stop mode.

"PRG" is displayed.



### 2 Press DISC DIRECT PLAY 1-3 to select a disc.

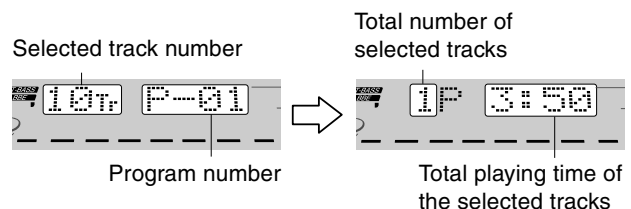
Go to the next step when the tray stops rotating.

### 3 Press numbered buttons 0-9 and +10 to program a track.

Example:

To select the 25th track, press **+10**, **+10** and **5**.



To select the 10th track, press **+10** and **0**.



### 4 Repeat steps 2 and 3 to program other tracks.

### 5 Press to start play.

### To check the program

Each time  or  is pressed in stop mode, a disc number, track number, and program number will be displayed.

### To clear the program

Press  **CLEAR** in stop mode.


### To add tracks to the program

Repeat steps 2 and 3 in stop mode. The track will be programmed after the last track.

### To change the programmed tracks

Clear the program and repeat all the steps again.

### To play the programmed tracks repeatedly

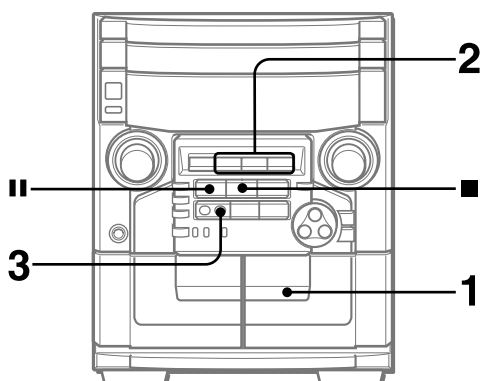
After programming the tracks, press **RANDOM/REPEAT** repeatedly while pressing **SHIFT** until  appears on the display.

### NOTE

- During programmed play, you cannot perform random play, check the remaining time, and select a disc or track. "Can't USE" is displayed if you attempt to select a track.
- "FULL" is displayed if you attempt to program more than 30 tracks.

## BASIC RECORDING

This section explains how to record from the tuner, CD player, or external equipment.

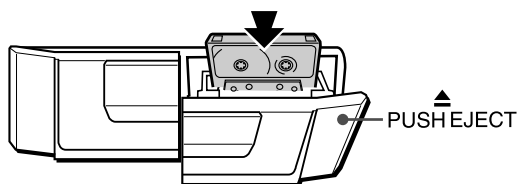


### Preparation

- Use Type I (normal) tapes only.
- Set the tape to the point where recording will start.
- Note that recording is done on only one side of the tape.

#### 1 Insert the tape to be recorded on into deck 2.

Insert the tape with the side to be recorded on first facing out from the unit.



#### 2 Press function (CD, TUNER or VIDEO/AUX) and prepare the source to be recorded.

**To record from a CD**, press **CD** and load the disc(s).

**To record from a radio broadcast**, press **TUNER** and tune in to a station.

**To record from a connected source**, press **VIDEO/AUX**.

#### 3 Press ● REC/REC MUTE to start recording.

When recording from a connected source, start playback of the source.



When the selected function is CD, playback and recording start simultaneously.

**To stop recording**, press ■.

**To pause recording**, press ||. (Applicable when the source is TUNER or VIDEO/AUX) To resume recording, press it again.

### Sound adjustment during recording

The output volume and tone (except BBE) of the speakers or headphones are freely varied without affecting of the recording.

## INSERTING BLANK SPACES

Insertion of 4-second blank spaces enables you to activate the Music Sensor function. (Applicable when the source is TUNER or VIDEO/AUX.)

#### 1 Press ● REC/REC MUTE during recording or while in recording pause mode.

**REC** on the display flashes for 4 seconds and 4-second blank space is made. Then, the deck enters the recording pause mode.

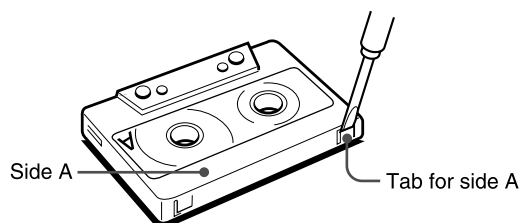
#### 2 Press || to resume recording.

**To insert a blank space of less than 4 seconds**, press ● **REC/REC MUTE** again while **REC** is flashing.

**To insert blank spaces of more than 4 seconds**, after the deck enters recording pause mode, press ● **REC/REC MUTE** again. Each time the button is pressed, a 4-second blank space is added.

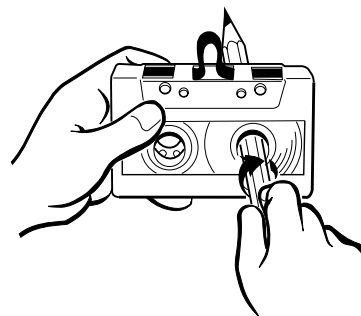
### About cassette tapes

- **To prevent accidental erasure**, break off the plastic tabs on the cassette tape after recording with a screwdriver or other pointed tool.



To record on the tape again, cover the tab openings with adhesive tape, etc.

- **120-minute or longer tapes** are extremely thin and easily deformed or damaged. They are not recommended.
- **Take up any slack in the tape** with a pencil or similar tool before use. Slack tape may break or jam in the mechanism.



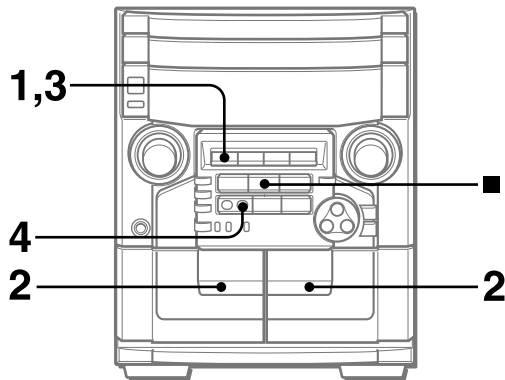
### NOTE

"Can't REC" is displayed if you attempt to record on a tape with the plastic tabs broken off.

### To erase a recording

- 1 Insert the tape to be erased into deck 2 and press **TAPE DECK 1/2** to display "TP 2".
- 2 Set the tape to the point where the erasure is to be started.
- 3 Press ● **REC/REC MUTE** to start the erasure.

## DUBBING A TAPE MANUALLY



### NOTE

- Set the tape to the point where recording will start.
- Note that recording will be done on one side of the tape only.

#### 1 Press TAPE.

#### 2 Insert the original tape into deck 1 and the tape to be recorded on into deck 2.

Insert the tapes with the sides to be played back or recorded on facing out from the unit.

#### 3 Press TAPE DECK 1/2 to select deck 1.

"TP 1" is displayed.

#### 4 Press ● REC/REC MUTE to start recording.

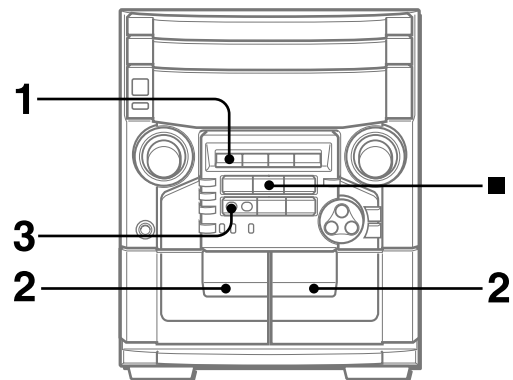
Playing and recording start simultaneously.



#### To stop dubbing

Press ■.

## DUBBING THE WHOLE TAPE



This function allows you to make exact copies of the original tape.

### NOTE

- Dubbing does not start from a point halfway in the tape.
- Note that recording will be done on one side of the tape only.

#### 1 Press TAPE.

#### 2 Insert the original tape into deck 1 and the tape to be recorded on into deck 2.

Insert each tape with the side to be played back or recorded on facing out from the unit.

#### 3 Press SYNC DUB to start recording.

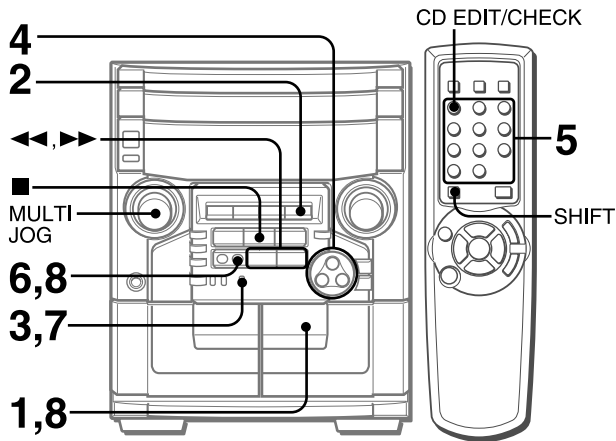


The tapes are rewound to the beginning of the front sides, and recording starts.

#### To stop dubbing

Press ■.

# AI EDIT RECORDING



The AI edit recording function enables CD recording without worrying about tape length and track length. When a CD is inserted, the unit automatically calculates the total track length. If necessary, the order of tracks is rearranged so that no track is cut short.

(AI: Artificial Intelligence)

## NOTE

AI edit recording will not start from a point halfway into the tape. The tape must be recorded from the beginning of either side.

### 1 Insert the tape into deck 2.

Insert the tape with the side to be recorded on first facing out from the unit.

### 2 Press CD and load the disc(s).

### 3 Press CD EDIT/CHECK once.

When using the remote control, press **CD EDIT/CHECK** once while pressing **SHIFT**. "EDIT" and "AI" are displayed.



• When "PRGM" is displayed, press **CD EDIT/CHECK**.

### 4 Press DISC DIRECT PLAY 1-3 to select a disc.

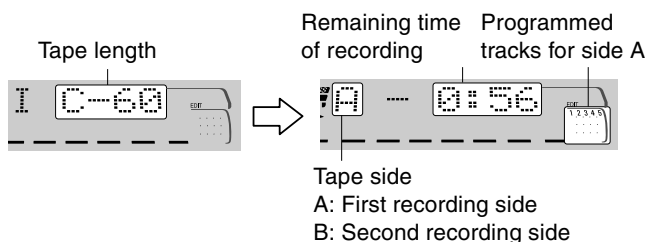
### 5 Press numbered buttons 0-9 on the remote control to designate the tape length.

10 to 99 minutes can be specified.

Example: When using a 60-minute tape, press **6** and **0**.

In a few seconds, the tracks to be recorded on each side of the tape are determined.

• **◀▶**, **▶▶** or **MULTI JOG** are also available to designate the tape length.



### 6 Press ● REC/REC MUTE to start recording on the first side.

The tape is rewound to the beginning of the first side, the lead segment is played through for 10 seconds, and recording starts. When the last track programmed for side A is finished, deck 2 enters the recording stop mode. After entering the recording stop mode, go to step 7.

### 7 Press CD EDIT/CHECK to display the program for the second recording.

"B" is displayed.

### 8 Turn over the tape in deck 2 and press ● REC/REC MUTE to start recording on the second side.

#### To stop recording

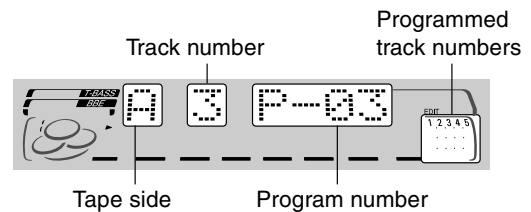
Press **■**. Recording and CD play stop simultaneously.

#### To clear the edit program

Press **■ CLEAR** twice so that "EDIT" disappears on the display.

#### To check the order of the programmed track numbers

Before recording, press **CD EDIT/CHECK** to select side A or B, and press **◀▶** or **▶▶** repeatedly.



#### To add tracks from other discs to the edit program

If there is any time remaining on the tape after step 5, you can add tracks from other discs in the CD compartment.

1 Press **CD EDIT/CHECK** to select side A or B.

2 Press **DISC DIRECT PLAY 1-3** to select a disc.

3 Press numbered buttons on the remote control to select tracks.

A track whose playing time is longer than the remaining time cannot be programmed.

4 Repeat steps 2 and 3 to add more tracks.

#### Time on cassette tapes and editing time

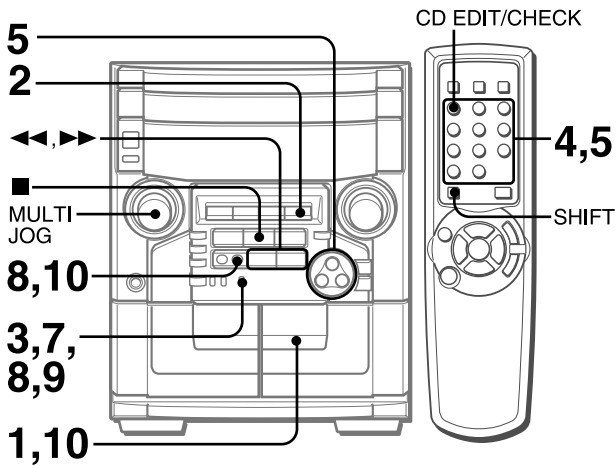
The actual cassette recording time is usually a little longer than the specified recording time printed on the label. This unit can program tracks to use the extra time. When the total recording time is a little longer than the tape's specified recording time after editing, the display shows the extra time (without a minus mark), instead of the time remaining on the tape (with the minus mark).

## NOTE

The AI edit recording function cannot be used with discs containing 31 tracks or more. "TR OVER" is displayed if this is attempted.



# PROGRAMMED EDIT RECORDING

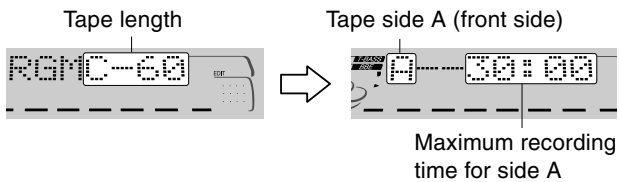


In the programmed edit recording function the tracks can be programmed while checking the remaining time on each side of the tape.

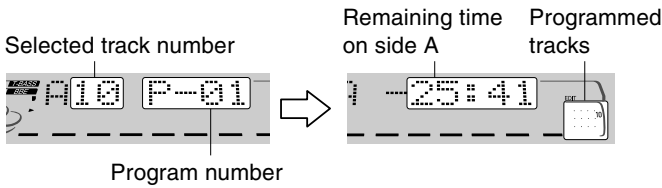
**NOTE**

The programmed edit recording will not start from a point halfway in the tape. The tape must be recorded on from the beginning of either side.

- 1 Insert the tape into deck 2.**  
Insert the tape with the side to be recorded on first facing out from the unit.
- 2 Press CD and load the disc(s).**
- 3 Press CD EDIT/CHECK twice.**  
When using the remote control, press **CD EDIT/CHECK** twice while pressing **SHIFT**.  
"EDIT" and "PRGM" are displayed.  
• When "AI" is displayed, press **CD EDIT/CHECK** again.
- 4 Press numbered buttons on the remote control to designate the tape length.**  
10 to 99 minutes can be specified.  
• **◀▶** or **MULTI JOG** are also available to designate the tape length.



- 5 Press DISC DIRECT PLAY 1-3 to select a disc. Then, press numbered buttons 0-9 and +10 on the remote control to program a track.**  
Example: To select the 10th track of disc 2, press **DISC DIRECT PLAY 2**, then press **+10** and **0**.



- 6 Repeat step 5 for the rest of the tracks for side A.**  
A track whose playing time is longer than the remaining time cannot be programmed.

- 7 Press CD EDIT/CHECK to select side B and program the tracks for side B.**  
After confirming "B" on the display, repeat step 5.

Tape side B (reverse side)



- 8 Press CD EDIT/CHECK to select side A and press ● REC/REC MUTE to start recording.**

The tape is rewound to the beginning of the front side, the lead segment is played through for 10 seconds, and recording starts. When the last track programmed for side A is finished, deck 2 enters the recording stop mode. After entering the recording stop mode, go to step 9.

- 9 Press CD EDIT/CHECK for recording of the second side.**

"B" is displayed.

- 10 Turn over the tape in deck 2 and press ● REC/REC MUTE to start recording.**

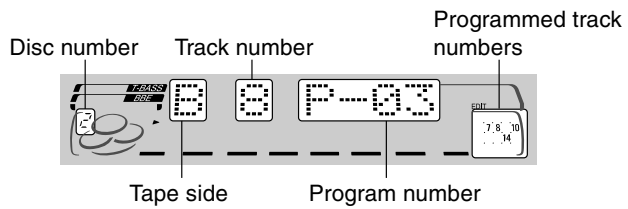
Recording starts.

**To stop recording**

Press **■**. Recording and CD play stop simultaneously.

**To check the order of the programmed track numbers**

Before recording, press **CD EDIT/CHECK** to select side A or B, and press **◀▶** or **▶▶** repeatedly.



**To change the program of each side**

Press **CD EDIT/CHECK** to select side A or B, and press **■ CLEAR** to clear the program on the selected side. Then program tracks again.

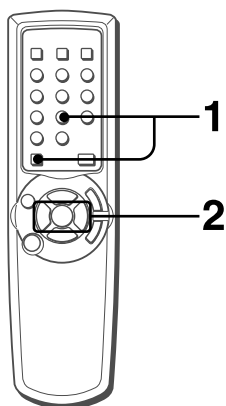
**To clear the edit program**

Press **■ CLEAR** twice so that "EDIT" disappears on the display.

**NOTE**

- Up to 30 tracks can be programmed from any of the inserted discs.
- "FULL" is displayed if you attempt to program more than 30 tracks.

## SETTING THE SLEEP TIMER



The unit can be turned off automatically at a specified time.

Use the remote control.

**1 Press SLEEP while pressing SHIFT.**



**2 Within 4 seconds, press ◀ DOWN or ▶ UP to specify the time until the power is turned off.**

The time changes between 5 and 240 minutes in 5-minute steps.

**MULTI JOG** is also available in place of ◀ or ▶.

Specified time



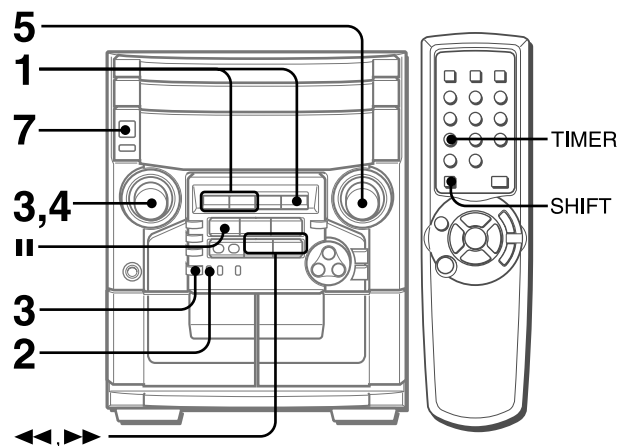
While the timer is in operation, the display indication is dimmer than usual.

**To check the time remaining until the power is turned off**  
Press **SLEEP** once while pressing **SHIFT**. The remaining time is displayed for 4 seconds.

**To cancel the sleep timer**

Press **SLEEP** twice while pressing **SHIFT** so that "SLEEP OFF" appears on the display.

## SETTING THE TIMER



The unit can be turned on at a specified time every day with the built-in timer.

**Preparation**

Make sure the clock is set correctly.

**1 Press one of the function buttons to select a source.**

**2 Press TIMER repeatedly until ☺ appears on the display.**

When using the remote control, press **TIMER** while pressing **SHIFT**.

Time and audio source name flash alternately.



**3 Within 6 seconds, turn MULTI JOG to designate the timer-on time, then press ENTER or ||.**

Turning **MULTI JOG** changes both the hour and the minute.

◀ or ▶ is also available in place of **MULTI JOG**. Holding these buttons down will vary the time rapidly.



**4 Within 4 seconds, turn MULTI JOG to select the duration for the timer-activated period.**

The duration can be set between 5 and 240 minutes in 5-minute steps.

◀ or ▶ is also available in place of **MULTI JOG**.



The duration will be automatically set after 4 seconds. It will also be set if **ENTER** or **||** is pressed within 4 seconds after step 4.

## 5 Adjust the volume.

The source sound will play at the volume level set in this step when the power is turned on by the timer.

If the volume level is set to 17 or higher, however, it will automatically be set to 16 when the power is turned on.

## 6 Prepare the source.

**To listen to a CD**, load the disc to be played first on tray 1.

**To listen to a tape**, insert the tape into deck 1 or 2.

**To listen to the radio**, select the band and tune in to a station.

## 7 Press POWER to turn off the power.

When the timer-on time is reached, the unit turns on and begins play with the selected source.

### NOTE

You can change the source that was selected in step 1 by pressing one of the function buttons before pressing **ENTER** or **II** in step 3.

### To check the timer setting

Press **TIMER**.

The timer-on time, the selected source, and the duration for the timer-activated period will be displayed for 4 seconds.

### To change any of the previous setting

Carry out from step 1.

However, if you do not change the timer-on time, in step 3 just press **ENTER** twice and continue from step 4.

### To cancel the timer standby mode temporarily

Press **TIMER** repeatedly so that ☹ disappears.

To restore the timer standby mode, press again to display ☹.

### Using the unit while the timer is set

You can use the unit normally after setting the timer.

Before turning off the power, carry out step 5 and 6.

### NOTE

- Timer playback and timer recording will not begin unless the power is turned off.
- Connected equipment cannot be turned on and off by the built-in timer of this unit. Use an external timer.

## TIMER RECORDING

Timer recording is applicable for TUNER and VIDEO/AUX (with an external timer) sources only.

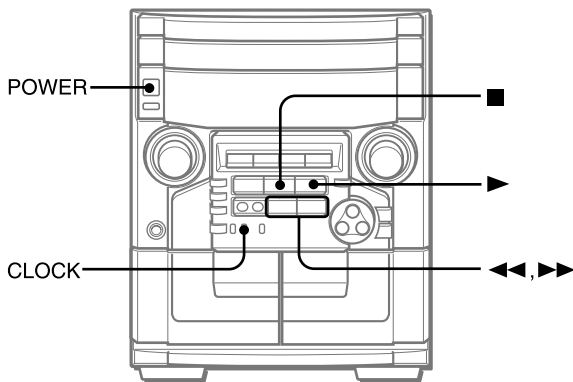
Press either **TUNER BAND** or **VIDEO/AUX** to select a source, then **press TIMER repeatedly until ☹ flashes on the display**. Within 6 seconds, carry out the steps of "SETTING THE TIMER" from step 3 and insert the tape to be recorded on into deck 2 after step 6.

### NOTE

- If the timer recording is done with the economizing mode (page 6) set to "ECO ON" or "ECO AUTO" and the power turns off, the dimmer mode will be set to dimmest and the volume level will be 0 (minimum level) the next time the power is turned on.
- You cannot use the timer function to record from a CD or tape.
- You can check the timer setting by pressing **TIMER** even while the power is off. In this case, if you press **ENTER** or **II** within 4 seconds after pressing **TIMER**, you can enter the timer setting mode and change the previous setting.

## OTHER FEATURES

### DEMO (Demonstration)



You can enjoy two kinds of DEMO modes on this unit. One is *demo*, the other one is *game demo*. In the demo mode, colorful illumination demonstrates in the display. In the game demo mode, you can play a game. **To switch the two modes to each other**, press **POWER** while pressing **▶** when the power is off. **To activate the demo or the game demo**, press **▶** when the power is off. **To deactivate the demo or the game demo**, press **CLOCK**. See below about how to play the game demo.

#### To play the game demo

**1 To start the game demo, press ▶ when the power is off**

Three numbers on the display start to run.

**2 Press ■ once.**

The number on the left side stops.

**3 Press ■ twice to stop the remaining two numbers.**

*Scoring:*

20 points are given to start the game.

If all the numbers are equal, 50 points are added to the score.

If not equal, one point is subtracted.

If the gained points reach 9999, you win.

If the gained points fall to 0, you lose.

#### To reset the game demo

Press **CLOCK**, then press **▶**.

#### To change the probability of equalizing the three numbers

Press **◀◀** or **▶▶** repeatedly to select one of the three probability levels when playing the game demo. The tray number indicator in the display changes between 1 and 3. As the tray number increases from 1 to 3, the higher the probability of equalizing.



#### NOTE

- While playing the game demo, **■**, **◀◀**, **▶▶** and **▶** are available only for the game demo. Turn the power on to use these buttons for the functions such as CD playing, etc.
- During the game demo, some indicators unrelated to the actual operation light up on the display.

## 4-Channel Multi-Amplifier System

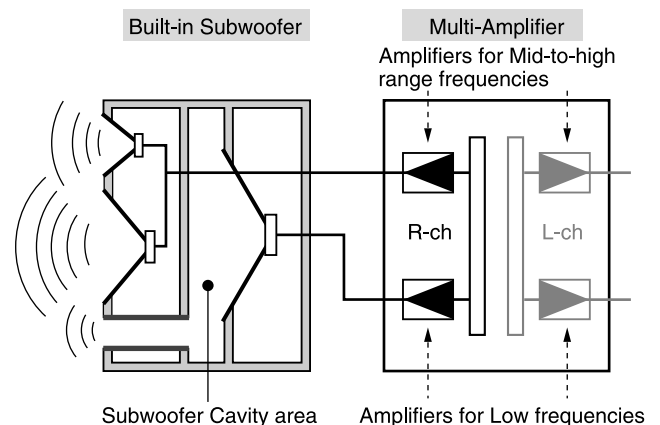
To provide reinforcement for the ultra-low frequencies, in addition to the Left/Right 2-channel amplifier used to reproduce mid-to-high-range frequencies, this system incorporates a second L/R 2-channel amplifier just for reproduction of ultra-low frequencies — making it, in effect, a 4-amplifier system. By utilizing discrete amplifiers for mid-to-high-frequencies and low frequencies, high-quality sonic reproduction that is virtually free from distortion can be realized.

This Multi Amplifier System, which utilizes independent circuitry for the different frequency ranges, enables superb sonic reproduction free from distortion.

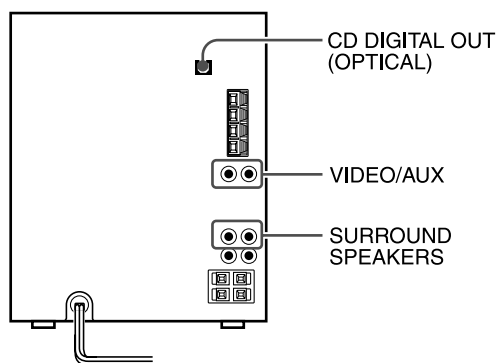
## Built-in Subwoofer System

The built-in subwoofer System has a separate subwoofer cavity area that is part of the loudspeaker cabinet structure, which acts as a sonic filter to cut distortion components. (In the Multi Amplifier System, the ultra-low frequency signals transmitted from their own independent amplifier are reproduced in this area.) This separate construction gives a clear, rich definition to bass reproduction and it can realize clear, well-defined mid-to-high frequency signals.

And AIWA's built-in subwoofer system incorporates a subwoofer capable of powerful, satisfying bass performance with true stereo separation.



## CONNECTING OPTIONAL EQUIPMENT



Refer to the operating instructions of the connected equipment for details.

- The connecting cords are not supplied. Obtain the necessary connecting cords.
- Consult your local Aiwa dealer for optional equipment.

### VIDEO/AUX JACKS

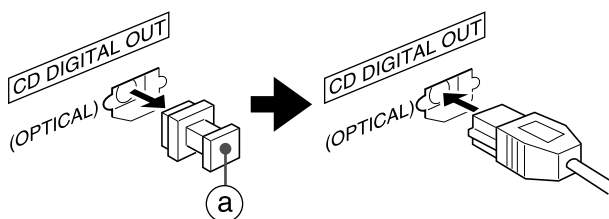
This unit can input analog sound signals through these jacks. Use a cable with RCA phono plugs to connect audio equipment (turntables, LD players, MD players, VCRs, TV, etc.). Connect the red plug to the **VIDEO/AUX R** jack, and the white plug to the **VIDEO/AUX L** jack.

#### When connecting a turntable

Use an Aiwa turntable equipped with a built-in equalizer amplifier.

### CD DIGITAL OUT (OPTICAL) JACK

This unit can output CD digital sound signals through this jack. Use an optical cable to connect digital audio equipment (DAT deck, MD recorder, etc.). Remove the dust cap **a** from the **CD DIGITAL OUT (OPTICAL)** jack. Then, connect an optical cable plug to the **CD DIGITAL OUT (OPTICAL)** jack.



#### When the CD DIGITAL OUT (OPTICAL) jack is not being used

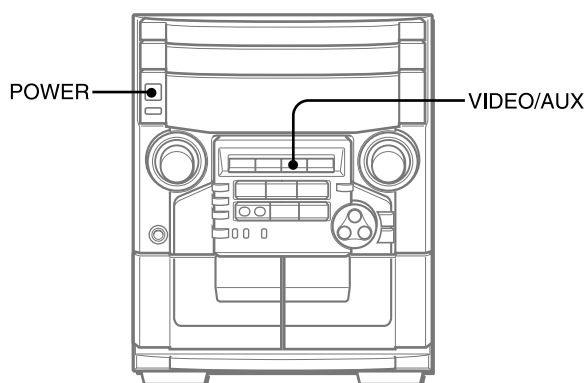
Attach the supplied dust cap.

### SURROUND SPEAKERS $\sphericalangle$ JACKS

Connect optional surround speakers with the 8 ohms to 16 ohms impedance to the jacks.

Be sure to connect both right and left surround speakers to the jacks to obtain the sound from them.

## LISTENING TO EXTERNAL SOURCES



To play equipment connected to the VIDEO/AUX jacks proceed as follows.

#### 1 Press VIDEO/AUX.

“VIDEO” appears on the display.

#### 2 Play the connected equipment.

#### To change a source name in the display

When **VIDEO/AUX** is pressed, “VIDEO” is displayed initially. It can be changed to “VIDEO”, “AUX” or “TV”. With the power on, press **POWER** while pressing **VIDEO/AUX**. Repeat the procedure to select one of the names.

## CARE AND MAINTENANCE

Occasional care and maintenance of the unit and the software are needed to optimize the performance of your unit.

### To clean the cabinet

Use a soft and dry cloth.

If the surfaces are extremely dirty, use a soft cloth lightly moistened with mild detergent solution. Do not use strong solvents, such as alcohol, benzine or thinner as these could damage the finish of the unit.

### To clean the tape heads

When the tape heads are dirty;

- high frequency sound is not emitted
- the sound is not adequately high
- the sound is off-balance
- the tape cannot be erased
- the tape cannot be recorded on

After every 10 hours of use, clean the tape heads with a head cleaning cassette.

Refer to the instructions of the cleaning cassette for details.

### To demagnetize the tape heads

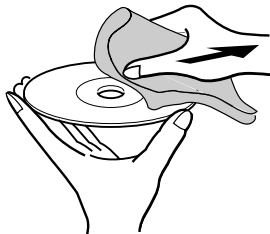
The tape heads may become magnetized after long-term use. This may narrow the output range of recorded tapes and increase noise.

After every 20 to 30 hours of use, demagnetize the tape heads with a separately sold demagnetizing cassette.

Refer to the instructions of the demagnetizing cassette for details.

### Care of discs

- When a disc becomes dirty, wipe the disc from the center out with a cleaning cloth.



- After playing a disc, store the disc in its case. Do not leave the disc in places that are hot or humid.

### Care of tapes

- Store tapes in their cases after use.
- Do not leave tapes near magnets, motors, television sets, or any source of magnetism. This will downgrade the sound quality and cause noise.
- Do not expose tapes to direct sunlight, or leave them in a car parked in direct sunlight.

## TROUBLESHOOTING GUIDE

If the unit fails to perform as described in these Operating Instructions, check the following guide.

### GENERAL

#### There is no sound.

- Is the AC cord connected properly?
- Is there a bad connection? (→ page 4)
- There may be a short circuit in the speaker terminals.
  - Disconnect the AC cord, then correct the speaker connections.
- Was an incorrect function button pressed?

#### Sound is emitted from one speaker only.

- Is the other speaker disconnected?

#### An erroneous display or a malfunction occurs.

→ Reset the unit as stated below.

#### The unit blacks out when the power is turned off.

- Is the power economizing mode set to "ECO ON" or "ECO AUTO"? (→ page 6)

#### The power is not turned on.

→ Disconnect the AC cord, and connect it again in a few seconds.

### TUNER SECTION

#### There is constant, wave-like static.

- Is the antenna connected properly? (→ page 5)
- Is the signal weak?
  - Connect an outdoor antenna.

#### The reception contains noise interferences or the sound is distorted.

- Is the system picking up external noise or multipath distortion?
  - Change the orientation of the antenna.
  - Move the unit away from other electrical appliances.

### CASSETTE DECK SECTION

#### The tape does not run.

- Is deck 2 in pause mode? (→ page 11)

#### The sound is off-balance or not adequately high.

- Is the playback head dirty? (→ page 22)

#### Recording is not possible.

- Is the erasure prevention tab on the tape broken off? (→ page 14)
- Is the recording head dirty? (→ page 22)

#### Erase is not possible.

- Is the erasure head dirty? (→ page 22)
- Is a metal tape being used?

#### High frequency sound is not emitted.

- Is the recording/playback head dirty? (→ page 22)

### CD PLAYER SECTION

#### The CD player does not play.

- Is the disc correctly placed? (→ page 12)
- Is the disc dirty? (→ page 22)
- Is the lens affected by condensation?
  - Wait approximately one hour and try again.

### To reset

If an unusual condition occurs in the display window or the cassette decks, reset the unit as follows.

- 1 Press **POWER** to turn off the power.
- 2 Press **POWER** to turn the power back on while pressing **■ CLEAR**. Everything stored in memory after purchase is canceled.

If the power cannot be turned off in step 1 because of a malfunction, reset by disconnecting the AC cord, and connect it again. Then carry out step 2.

# SPECIFICATIONS

## Main unit CX-NAJ54

### FM tuner section

<b>Tuning range</b>	87.5 MHz to 108 MHz
<b>Usable sensitivity (IHF)</b>	13.2 dBf
<b>Antenna terminals</b>	75 ohms (unbalanced)

### AM tuner section

<b>Tuning range</b>	530 kHz to 1710 kHz (10 kHz step) 531 kHz to 1602 kHz (9 kHz step)
<b>Usable sensitivity</b>	350 $\mu$ V/m
<b>Antenna</b>	Loop antenna

### Amplifier section

#### Mid-high frequency amplifier

<b>Power output</b>	20 W + 20 W (200 Hz – 20 kHz, THD less than 1%, 8 ohms)
<b>Total harmonic distortion</b>	0.1 % (10 W, 1 kHz, 8 ohms, DIN AUDIO)

#### Low frequency amplifier

<b>Power output</b>	60 W + 60 W (50 Hz – 200 Hz, THD less than 1%, 6 ohms)
<b>Total harmonic distortion</b>	0.1 % (30 W, 130 Hz, 6 ohms, DIN AUDIO)

#### Inputs

#### Outputs

VIDEO/AUX: 500 mV  
 SPEAKERS HIGH FREQ:  
 accept speakers of 8 ohms or more  
 SPEAKERS LOW FREQ:  
 accept speakers of 6 ohms or more  
 SURROUND SPEAKERS:  
 accept speakers of 8 ohms to 16 ohms  
 PHONES (stereo jack): accepts headphones of 32 ohms or more

### Cassette deck section

<b>Track format</b>	4 tracks, 2 channels stereo
<b>Frequency response</b>	50 Hz – 15000 Hz
<b>Recording system</b>	AC bias
<b>Heads</b>	Deck 1: Playback head $\times$ 1 Deck 2: Recording/playback head $\times$ 1, erase head $\times$ 1

### Compact disc player section

<b>Laser</b>	Semiconductor laser ( $\lambda = 780$ nm)
<b>D/A converter</b>	1 bit dual
<b>Signal-to-noise ratio</b>	85 dB (1 kHz, 0 dB)
<b>Harmonic distortion</b>	0.05 % (1 kHz, 0 dB)

### General

<b>Power requirements</b>	120 V AC, 60 Hz
<b>Power consumption</b>	110 W
<b>Power consumption in standby mode</b>	If the power-economizing mode is ECO OFF: 20 W If the power-economizing mode is ECO ON or ECO AUTO: 0.9 W
<b>Dimensions (W <math>\times</math> H <math>\times</math> D)</b>	260 $\times$ 326 $\times$ 346 mm (10 <sup>1</sup> / <sub>4</sub> $\times$ 12 <sup>7</sup> / <sub>8</sub> $\times$ 13 <sup>5</sup> / <sub>8</sub> in.)
<b>Weight</b>	8.0 kg (17 lbs 10 oz.)

## Speaker system SX-WNAJ53

<b>Speaker system</b>	3 way, Built-in subwoofer (magnetic shielded type)
<b>Speaker units</b>	Subwoofer: 160 mm (6 <sup>3</sup> / <sub>8</sub> in.) cone type Full range: 100 mm (4 in.) cone type Super tweeter: 20 mm (1 <sup>3</sup> / <sub>16</sub> in.) ceramic type
<b>Impedance</b>	6 ohms/8 ohms
<b>Sensitivity</b>	87 dB/W/m
<b>Dimensions (W <math>\times</math> H <math>\times</math> D)</b>	230 $\times$ 324 $\times$ 282 mm (9 <sup>1</sup> / <sub>8</sub> $\times$ 12 <sup>7</sup> / <sub>8</sub> $\times$ 11 <sup>1</sup> / <sub>8</sub> in.)
<b>Weight</b>	4.8 kg (10 lbs 9 oz.)

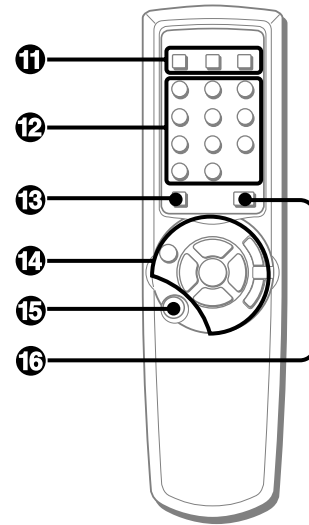
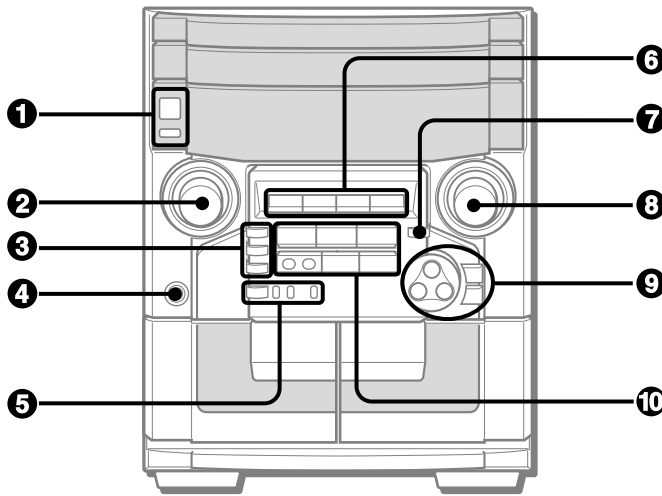
Specifications and external appearance are subject to change without notice.

### BBE SYSTEM

The word "BBE" and the "BBE symbol" are trademarks of BBE Sound, Inc.  
 Under license from BBE Sound, Inc.

### COPYRIGHT

Please check the laws on copyright relating to recordings from discs, radio or external tape for the country in which the machine is being used.



Name/Nombre/Nom	Page/Página/Page
① POWER .....	6,18-22
ECO .....	6,7
② MULTI JOG .....	6-8,10-12,16-18
③ GEQ .....	8
T-BASS .....	8
BBE .....	8
④ PHONES .....	8
⑤ ENTER .....	6,7,18
TIMER .....	18
CLOCK .....	7,20
CD EDIT/CHECK .....	12,16,17
⑥ TAPE DECK1/2 .....	11,15,18
TUNER BAND .....	9,10,14,18
VIDEO/AUX .....	14,19,21
CD .....	12,14,16,17,18
⑦ CD BLANK SKIP .....	13
⑧ VOLUME .....	8,19
⑨ ▲ OPEN/CLOSE .....	12
DISC CHANGE .....	12
DISC DIRECT PLAY1-3 .....	12,13,16,17
⑩ ■ CLEAR .....	6,7,10-17,20,22
▶ PRESET .....	6,10-13,20
■ SET .....	7,10-12,14,18,19
⏮/⏪ DOWN .....	7,9-13,16-18,20
⏩/⏭ UP .....	7,9-13,16-18,20
SYNC DUB .....	15
● REC/REC MUTE .....	14-17

Name/Nombre/Nom	Page/Página/Page
⑪ DISC DIRECT PLAY1-3 .....	12,13,16,17
⑫ 0-9,+10 .....	10,12,13,16,17
1/CD EDIT/CHECK .....	12,16,17
2/PRGM .....	13
3/RANDOM/REPEAT .....	13
4/GEQ .....	8
6/T-BASS .....	8
7/TIMER .....	18
8/SLEEP .....	18
9/CLOCK .....	7,20
0/MONO TUNER .....	9
+10/BAND .....	9,10
⑬ SHIFT .....	6
⑭ ⏮/⏪ DOWN .....	7,9-13,16-18,20
⏩/⏭ UP .....	7,9-13,16-18,20
■ SET .....	7,10-12,14,18,19
■ CLEAR .....	6,7,10-17,20,22
▶ PRESET .....	6,10-13,20
VOL (∧, ∨) .....	8,19
⑮ POWER .....	6,18-22
⑯ FUNCTION .....	6

For assistance and information

**call toll free 1-800-BUY-AIWA**

(United States and Puerto Rico)

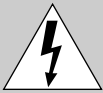


**ADVERTENCIA**

PARA REDUCIR EL RIESGO DE INCENDIOS O SACUDIDAS ELECTRICAS, NO EXPONGA ESTE APARATO A LA LLUVIA NI A LA HUMEDAD.

	<b>CAUTION</b> RISK OF ELECTRIC SHOCK DO NOT OPEN	
<p>“PRECAUCION:PARA REDUCIR EL RIESGO DE QUE SE PRODUZCAN SACUDIDAS ELECTRICAS, NO quite LA CUBIERTA (O PANEL POSTERIOR). EN EL INTERIOR NO HAY PIEZAS QUE DEBA REPARAR EL USUARIO. SOLICITE LAS REPARACIONES AL PERSONAL DE SERVICIO CAPACITADO.”</p>		

**Explicación de los símbolos gráficos:**



El símbolo del rayo con punta de flecha, en el interior de un triángulo equilátero, tiene la finalidad de avisar al usuario de la presencia de “tensiones peligrosas” sin aislar en el interior del producto que podrían ser de suficiente magnitud como para constituir un riesgo de sacudida eléctrica para las personas.




El signo de exclamación en el interior de un triángulo equilátero tiene la finalidad de avisar al usuario de la presencia de instrucciones de operación y mantenimiento (reparación) en el material impreso que acompaña al aparato.

**PRECAUCIONES**

Lea cuidadosa y completamente el manual de instrucciones antes de utilizar la unidad. Asegúrese de guardar el manual de instrucciones para utilizarlo como referencia en el futuro. Todas las advertencias y precauciones del manual de instrucciones y de la unidad deberán cumplirse estrictamente, así como también las sugerencias de seguridad mencionadas más abajo.

**Instalación**

- 1 Agua y humedad** — No utilice esta unidad cerca del agua como, por ejemplo, cerca de una bañera, una palangana, una piscina o algo similar.
- 2 Calor** — No utilice esta unidad cerca de fuentes de calor, incluyendo salidas de aire caliente, estufas u otros aparatos que generen calor. No deberá colocarse tampoco en lugares donde la temperatura sea inferior a 5°C o superior a 35°C.
- 3 Superficie de montaje** — Ponga la unidad sobre una superficie plana y nivelada.
- 4 Ventilación** — La unidad deberá situarse donde tenga suficiente espacio libre a su alrededor, para que la ventilación apropiada quede asegurada. Deje un espacio libre de 10 cm por la parte posterior y superior de la unidad, y 5 cm por cada lado.
  - No ponga la unidad sobre una cama, una alfombra o superficies similares que podrían tapar las aberturas de ventilación.
  - No instale la unidad en una librería, mueble o estantería cerrada herméticamente donde la ventilación no sea adecuada.
- 5 Entrada de objetos y líquidos** — Tenga cuidado de que objetos y líquidos no entren en la unidad por las aberturas de ventilación.
- 6 Carros de mano y soportes** — Cuando ponga o monte la unidad en un soporte o carro de mano, ésta deberá moverse con mucho cuidado. Las paradas repentinas, la fuerza excesiva y las superficies irregulares pueden hacer que la unidad o el carro de mano se dé vuelta o se caiga.
 
- 7 Condensación** — En la lente del fonocaptor del reproductor de discos compactos tal vez se forme condensación cuando:
  - La unidad se pase de un lugar frío a uno caliente.
  - El sistema de calefacción se acabe de encender.
  - La unidad se utilice en una habitación muy húmeda.
  - La unidad se enfríe mediante un acondicionador de aire.
 Esta unidad tal vez funcione mal cuando tenga condensación en su interior. En este caso, deje en reposo la unidad durante unas pocas horas y repita de nuevo la operación.
- 8 Montaje en pared o techo** — La unidad no se deberá montar en una pared ni en el techo, a menos que se especifique lo contrario en el manual de instrucciones.

**Energía eléctrica**

- 1 Fuentes de alimentación** — Conecte solamente esta unidad a las fuentes de alimentación especificadas en el manual de instrucciones, y como está marcado en la unidad.
- 2 Polarización** — Como característica de seguridad, algunas unidades están equipadas con clavijas de alimentación de CA polarizadas, las cuales sólo se pueden insertar de una forma en las tomas de corriente. Si resulta difícil o imposible insertar la clavija de alimentación de CA en una toma de corriente, dé vuelta a la clavija e inténtelo de nuevo. Si sigue sin poder insertar fácilmente la clavija en la toma de corriente, llame a un electricista cualificado para que modifique o reemplace la toma de corriente. Para evitar anular la característica de seguridad de la clavija polarizada, no la inserte a la fuerza en una toma de corriente.

### 3 Cable de alimentación de CA

- Cuando desconecte el cable de alimentación de CA, sujete la clavija de alimentación de CA y tire de ella. No tire del propio cable.
- Nunca maneje la clavija de alimentación de CA con las manos mojadas porque podría producirse un incendio o una sacudida eléctrica.
- Los cables de alimentación deberán colocarse de forma que no sean doblados excesivamente, pellizcados o pisados. Tenga mucho cuidado con el cable que va de la unidad a la toma de corriente.
- Evite sobrecargar las tomas de CA y los cables de extensión más allá de su capacidad porque esto podría causar un incendio o una sacudida eléctrica.

**4 Cable de extensión** — Para evitar sacudidas eléctricas, no utilice la clavija de alimentación de CA polarizada con un cable de extensión, ni tampoco en un receptáculo u otra toma de corriente a menos que la clavija polarizada pueda insertarse completamente evitando que sus patillas queden expuestas.

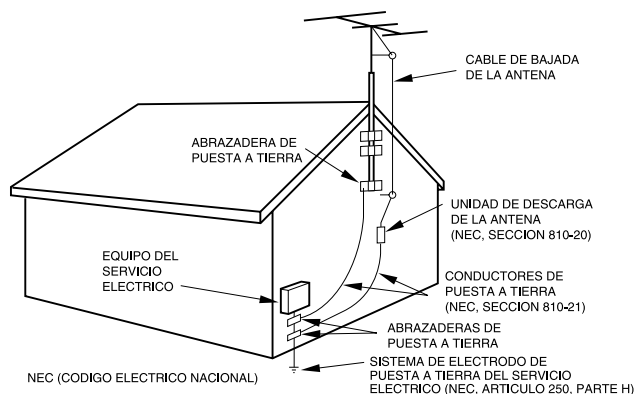
**5 Periodos de no utilización** — Desenchufe el cable de alimentación de CA de la toma de corriente si la unidad no va a ser utilizada durante varios meses o más. Cuando el cable de alimentación esté conectado, por la unidad continuará circulando una pequeña cantidad de corriente, aunque la alimentación esté desconectada.

### Antena exterior

**1 Líneas de alta tensión** — Cuando conecte una antena exterior, asegúrese de colocarla lejos de las líneas de alta tensión.

**2 Conexión a tierra de la antena exterior** — Asegúrese de que el sistema de la antena esté conectado correctamente a tierra para proporcionar así una protección contra el exceso inesperado de tensión o contra la acumulación de electricidad estática. El artículo 810 del Código Eléctrico Nacional, ANSI/NFPA70, proporciona información acerca de la puesta a tierra apropiada del mástil de la antena, la estructura de apoyo y el cable de bajada a la unidad de descarga de la antena, así como también del tamaño de la unidad de puesta a tierra, la conexión de los terminales de puesta a tierra y los requisitos para conectar a tierra los mismos terminales.

Puesta a tierra de la antena según el Código Eléctrico Nacional



### Mantenimiento

Limpie la unidad sólo como se recomienda en el manual de instrucciones.

### Daños que necesitan ser reparados

Haga que un técnico en reparaciones cualificado le repare las unidades si:

- El cable de alimentación de CA o su clavija está estropeado.
- Objetos extraños o líquidos han entrado en la unidad.
- La unidad ha estado expuesta a la lluvia o al agua.
- La unidad no parece funcionar normalmente.
- La unidad muestra un cambio considerable en sus prestaciones.
- La unidad se ha caído o la caja se ha estropeado.

**NO TRATE DE REPARAR LA UNIDAD USTED MISMO.**

## INDICE

PRECAUCIONES ..... 2

### PREPARATIVOS

CONEXIONES ..... 4  
CONTROL REMOTO ..... 6  
ANTES DE LA OPERACION ..... 6  
PUESTA EN HORA DEL RELOJ ..... 7

### SONIDO

AJUSTES DE AUDIO ..... 8  
ECUALIZADOR GRAFICO ..... 8

### RECEPCION DE LA RADIO

SINTONIZACION MANUAL ..... 9  
PREAJUSTE DE EMISORAS ..... 10

### REPRODUCCION DE CINTAS

OPERACIONES BASICAS ..... 11

### REPRODUCCION DE DISCOS COMPACTOS

OPERACIONES BASICAS ..... 12  
REPRODUCCION PROGRAMADA ..... 13

### GRABACION

GRABACION BASICA ..... 14  
COPIADO MANUAL DE UNA CINTA ..... 15  
COPIADO DE TODA LA CINTA ..... 15  
GRABACION CON EDICION AI ..... 16  
GRABACION CON EDICION PROGRAMADA ..... 17

### TEMPORIZADOR

AJUSTE DEL TEMPORIZADOR PARA DORMIR ..... 18  
AJUSTE DEL TEMPORIZADOR ..... 18

### OTRAS CARACTERISTICAS

DEMO (Demostración) ..... 20

### OTRAS CONEXIONES

CONEXION DE UN EQUIPO OPCIONAL ..... 21  
ESCUCHA DE FUENTES DE SONIDO EXTERNAS ..... 21

### GENERALIDADES

CUIDADOS Y MANTENIMIENTO ..... 22  
GUIA PARA LA SOLUCION DE PROBLEMAS ..... 22  
ESPECIFICACIONES ..... 23

INDICE DE LAS PARTES ..... *Cubierta trasera*

### Compruebe su sistema y los accesorios

#### NSX-AJ54

CX-NAJ54 Sintonizador, amplificador, platina de casete y reproductor de discos compactos estéreo  
SX-WNAJ53 Altavoces delanteros

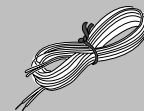
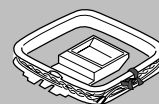
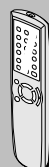
#### NSX-AJ55

CX-NAJ54 Sintonizador, amplificador, platina de casete y reproductor de discos compactos estéreo  
SX-WNAJ53 Altavoces delanteros  
SX-R275 Altavoces de sonido ambiental

Control remoto

Antena de AM

Antena de FM



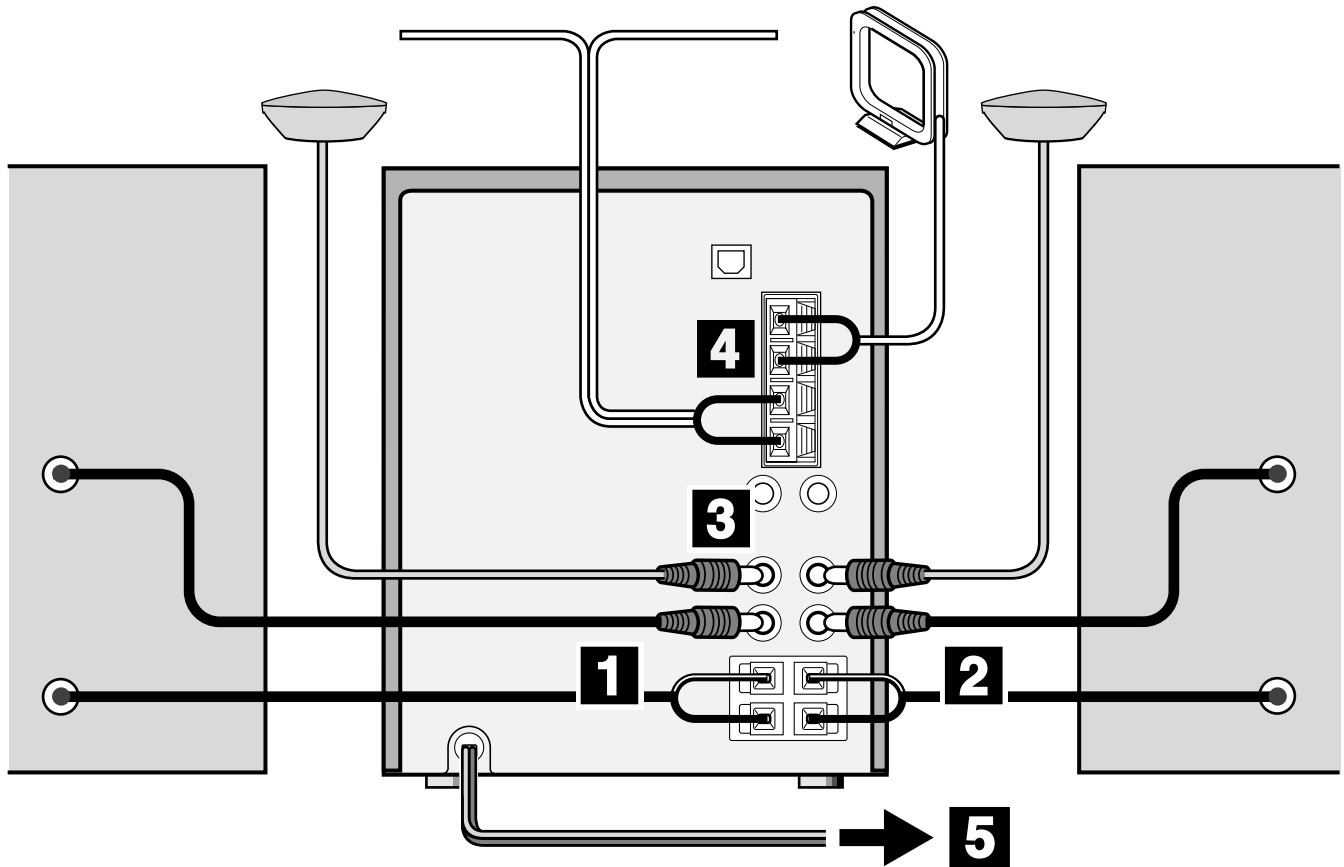
# CONEXIONES

## Antes de conectar el cable de CA

La tensión nominal de su unidad, mostrada en el panel trasero, es de 120 V CA. Compruebe que esta tensión nominal concuerde con la tensión de su localidad.

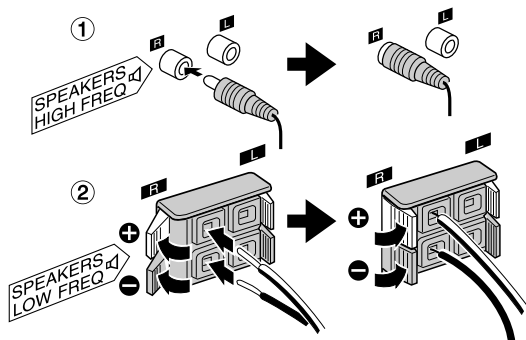
## IMPORTANTE

Conecte primero los altavoces, las antenas y todos los demás equipos opcionales. Luego conecte el cable de CA.



### 1 Conecte el altavoz derecho a la unidad principal.

- ① Conecte el cable de altavoz con clavija al terminal **SPEAKERS HIGH FREQ R**.
- ② Conecte el cable de altavoz con franja blanca al terminal **SPEAKERS LOW FREQ R** (+) y el cable negro al terminal

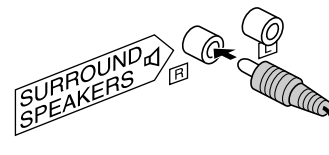


### 2 Conecte el altavoz izquierdo a la unidad principal.

Conecte el cable de altavoz con clavija al terminal **SPEAKERS HIGH FREQ L**, y el otro cable de altavoz a los terminales **SPEAKERS LOW FREQ L**, de la misma forma que en el paso 1.

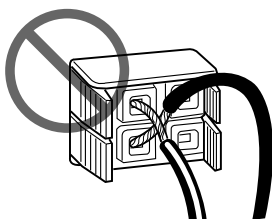
### 3 Conecte los altavoces de sonido ambiental a la unidad principal. (Sólo para el NSX-AJ55)

Conecte cada cable de altavoz de sonido ambiental al terminal **SURROUND SPEAKERS R** o **L**.



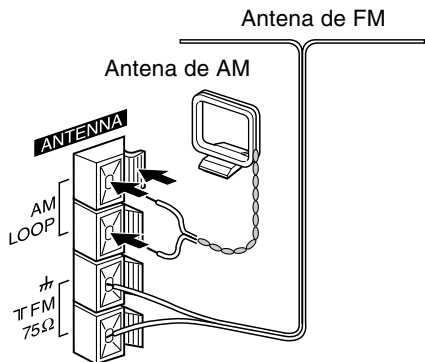
## NOTA

- Asegúrese de conectar correctamente los cables de los altavoces. Las conexiones mal hechas podrían causar cortocircuitos en los terminales **SPEAKERS**.



**4 Conecte las antenas suministradas.**

Conecte la antena de FM a los terminales **FM 75 Ω** y la de AM a los terminales **AM LOOP**.



**5 Conecte el cable de CA a una toma de CA.**

La DEMO empezará cuando el cable de CA se enchufe en una toma de CA por primera vez. Para desactivar la DEMO, ponga en hora el reloj.

**NOTA**

- No deje objetos que generen magnetismo, tales como tarjetas de crédito, cerca de los altavoces porque podrían estropearse.
- No ponga la antena de FM cerca de objetos metálicos o rieles de cortinas.
- No ponga la antena de AM cerca de equipos opcionales, el propio sistema estéreo, el cable de alimentación de CA o los cables de los altavoces, porque se captarán ruidos.
- No desbobine el cable de la antena de AM.

**Para posicionar las antenas**

**Antena de FM:**

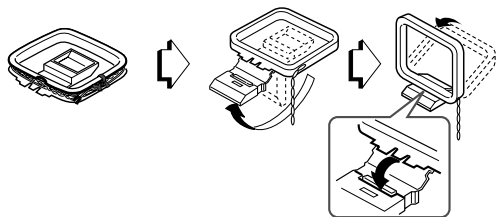
Extienda horizontalmente esta antena formando una T y fije sus extremos en la pared.

**Antena de AM:**

Coloque y gire esta antena para encontrar la mejor recepción posible.

**Para poner la antena de AM en posición vertical sobre una superficie**

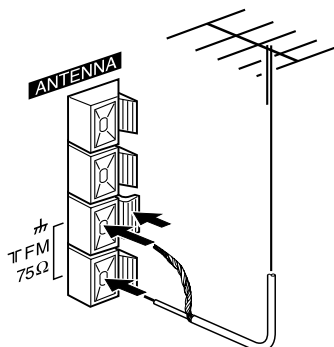
Fije el gancho en la ranura.



**CONEXION DE UNA ANTENA EXTERIOR**

Para obtener la mejor recepción de FM se recomienda utilizar una antena exterior.

Conecte la antena exterior a los terminales **FM 75 Ω**.

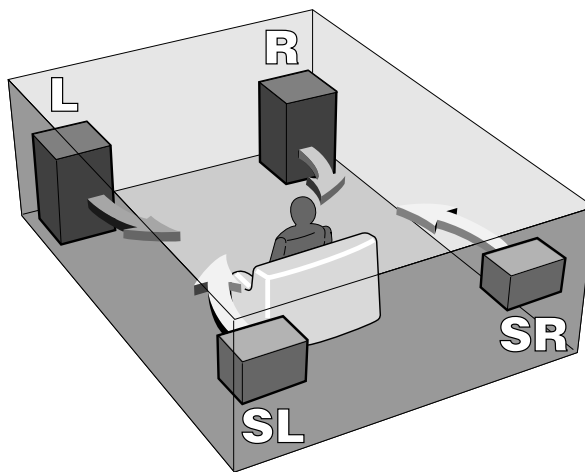


Para conectar otro equipo opcional → página 21.

**POSICIONAMIENTO DE LOS ALTAVOCES (Sólo para el NSX-AJ55)**

Coloque los altavoces para sacar el mayor provecho del efecto de los altavoces de sonido ambiental.

**Instalación estándar**



**R: Altavoz delantero (derecho)**

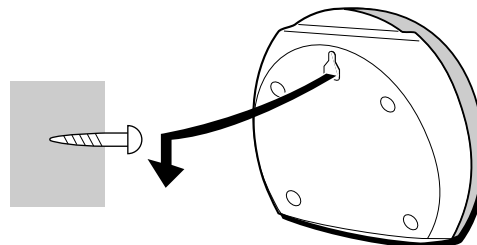
**L: Altavoz delantero (izquierdo)**

**SL & SR: Altavoz de sonido ambiental**

Ponga los altavoces de sonido ambiental por detrás de la zona de escucha.

**Para montar los altavoces de sonido ambiental en la pared**

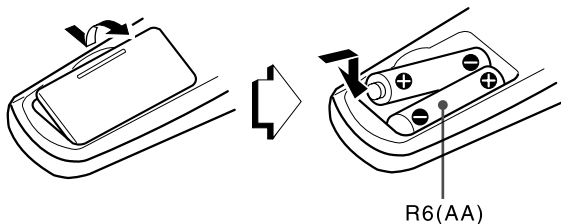
Monte cada altavoz en un lugar que pueda aguantar su peso.



## CONTROL REMOTO

### Inserción de las pilas

Quite la tapa de las pilas, ubicada en la parte trasera del control remoto, e inserte dos pilas R6 (tamaño AA).



### Cuándo reemplazar las pilas

La distancia máxima de operación entre el control remoto y el sensor de la unidad principal deberá ser de 5 metros aproximadamente. Cuando disminuya esta distancia, reemplace las pilas por otras nuevas.

### Para utilizar SHIFT del control remoto

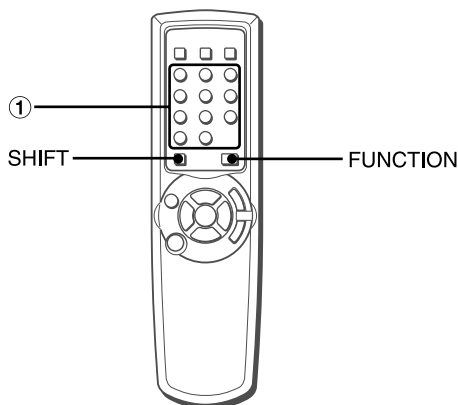
Los botones ① tienen dos funciones diferentes. Una de estas funciones se indica en el botón y la otra en la placa que se encuentra encima del botón.

Para utilizar la función del botón, pulse simplemente el botón. Para utilizar la función de la placa situada encima del botón, pulse el botón mientras pulsa **SHIFT**.

### Para utilizar FUNCTION del control remoto

**FUNCTION** sustituye a los botones de función (**TAPE DECK 1/2**, **TUNER BAND**, **VIDEO/AUX**, **CD**) en la unidad principal.

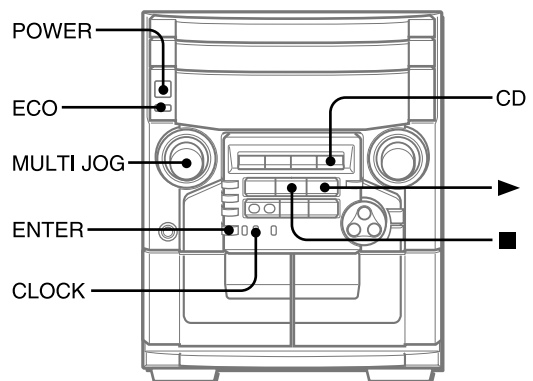
Cada vez que se pulse **FUNCTION**, la función siguiente se seleccionará cíclicamente. Cuando haya cintas insertadas en ambas platinas, cada platina será seleccionada con **FUNCTION**.



### NOTA

- Si el control remoto no va a ser utilizado durante mucho tiempo, quite las pilas para evitar posibles fugas de electrolito.
- El control remoto quizá no funcione correctamente cuando:
  - La línea de visión entre el control remoto y el sensor de señales del interior del visualizador esté expuesta a una luz intensa como, por ejemplo, la luz del sol.
  - Otros controles remotos (los de un televisor, etc.) estén siendo utilizados cerca de esta unidad.

## ANTES DE LA OPERACION



### Para conectar la alimentación

Pulse uno de los botones de función (**TAPE**, **TUNER**, **VIDEO/AUX**, **CD**). La reproducción de la cinta o del disco insertado empezará o se recibirá la emisora previamente sintonizada (función de reproducción directa). También podrá utilizarse **POWER**.

### NOTA

Cuando se conecte la alimentación, el compartimento de los discos tal vez se abra o se cierre para reponer la unidad.

### Para desconectar la alimentación

Pulse **POWER**.

## DEMO (Demostración)

Cuando el cable de alimentación de CA se conecte a una toma de CA por primera vez después de haber adquirido el aparato, la DEMO empezará en el visualizador. Cuando se conecte la alimentación, la DEMO terminará. Cuando se desconecte la alimentación, la DEMO del juego empezará de nuevo. Cuando la hora esté puesta en el reloj, la DEMO no empezará aunque se desconecte la alimentación.

### Para desactivar o activar la DEMO

Pulse **CLOCK**, y el reloj se visualizará en lugar de la DEMO. Pulse ► para activar la DEMO. (Para más detalles acerca de la DEMO, consulte la página 20.)

## ACTIVACION DEL MODO DE AHORRO DE ENERGÍA

Cuando ponga el modo de ahorro de energía en "ECO ON" o "ECO AUTO", la unidad reducirá el consumo de energía realizando las cuatro operaciones ECO indicadas a continuación.

### ECO ON

- La unidad (toda la iluminación del visualizador y los botones) se apagará cuando se desconecte la alimentación. Sólo se encenderá el indicador rojo.
- Si se selecciona DEMMER (1-3), la iluminación del visualizador y los botones se encenderá sólo durante 10 segundos cuando se pulse un botón o se gire **VOLUME** o **MULTI JOG**.
- La visualización del modo de intensidad de iluminación del visualizador se pone al mínimo, la iluminación de los botones se apaga, y el volumen se ajusta al mínimo (0) cuando la unidad se enciende mediante la función de grabación con temporizador.

### ECO AUTO

- Además de las tres operaciones de ECO ON, la unidad se apagará automáticamente si usted no la utiliza y la fuente de sonido permanece silenciada durante 10 minutos.

### ECO OFF

El modo de ahorro de energía no funciona.

**1 Pulse ECO.**

Se visualizará "ECO MODE".

**2 Pulse ENTER antes de que pasen 4 segundos.**

Se visualizará el estado del modo de ahorro de energía actual.

**3 Gire MULTI JOG antes de que pasen 4 segundos para seleccionar uno de los modos de ahorro de energía.**

Ejemplo: Cuando se seleccione "ECO ON".

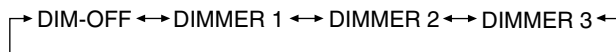
**4 Pulse ENTER antes de que pasen 4 segundos.****NOTA**

Si el reloj no está puesto en hora, la unidad no se apagará. En su lugar, la Demo empezará cuando se desconecte la alimentación.

**MODO DE INTENSIDAD DE ILUMINACION**

Para cambiar el modo de intensidad de iluminación del visualizador

- 1 Pulse repetidamente **ECO** hasta que se visualice "DIM MODE".
- 2 Pulse **ENTER** antes de que pasen 4 segundos.
- 3 Antes de que pasen 4 segundos, gire **MULTI JOG** para seleccionar uno de los modos de intensidad de iluminación cambiados cíclicamente de la forma mostrada a continuación.
- 4 Pulse **ENTER** antes de que pasen 4 segundos.

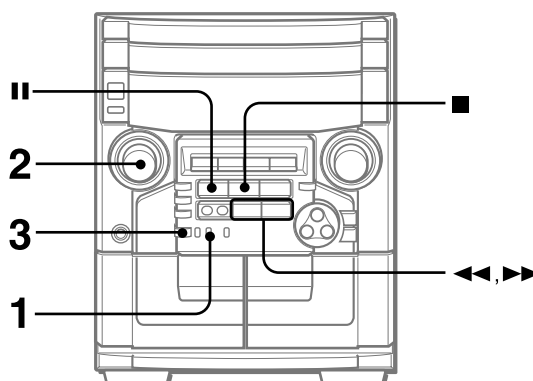


El modo "DIM-OFF" es el más intenso y el modo "DIMMER-3" en el más tenue. Además, en el modo "DIMMER-3", el analizador de espectro, la ventana de la parte superior de la unidad y la iluminación de los botones se apagarán.

**VENTANILLA PARPADEANTE**

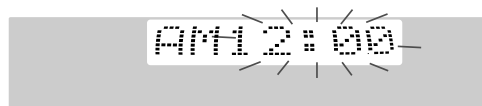
La ventanilla de la parte superior de la unidad se encenderá o parpadeará mientras la unidad está siendo encendida.

Para apagar la luz de la ventanilla superior, pulse ■ mientras pulsa **CD**. Para volver a encenderla, repita el procedimiento de arriba.

**PUESTA EN HORA DEL RELOJ****1 Pulse CLOCK.**

Cuando utilice el control remoto, pulse **CLOCK** mientras pulsa **SHIFT**.

El reloj se visualiza. (":" entre las horas y los minutos parpadeará.)

**2 Antes de que pasen 4 segundos, gire MULTI JOG para designar la hora y los minutos.**

Al girar **MULTI JOG** cambian la hora y los minutos.

En lugar de **MULTI JOG** también puede utilizarse ◀◀ o ▶▶. La hora cambiará rápidamente manteniendo pulsados estos botones.

**3 Pulse ENTER o II.**

El reloj empieza a funcionar desde 00 segundos.

**Para reponer el ajuste original del reloj**

Pulse **CLOCK** antes de completar el paso 3 para reponer el ajuste anterior de la hora. Esto cancelará cualquier nuevo ajuste.

**Para ver el reloj habiendo otra visualización en el visualizador**

Pulse **CLOCK**. La hora se visualizará durante 4 segundos y luego volverá a aparecer la visualización original. Sin embargo, el reloj no podrá visualizarse durante la grabación.

**Para cambiar al modo de 24 horas**

Pulse **CLOCK** y luego pulse ■ antes de que pasen 4 segundos. Repita el mismo procedimiento para reponer el modo de 12 horas.

En el modo estándar de 12 horas, "AM 12:00" indica la medianoche y "PM 12:00" indica el mediodía.

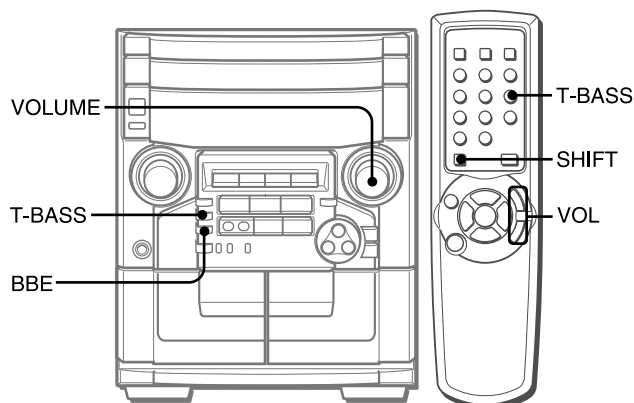
**Si parpadea la visualización del reloj**

Si parpadea la visualización cuando se visualiza el reloj, esto indica que el reloj se ha parado debido a un fallo en la alimentación o a la desconexión del cable de alimentación. La hora actual necesita reponerse.

**NOTA**

Si el modo de ahorro de energía (página 6) está activado, la unidad se apagará cuando se desconecte la alimentación. Para ver el reloj, pulse **CLOCK** para visualizar la hora durante 4 segundos.

## AJUSTES DE AUDIO



### CONTROL DE VOLUMEN

Gire **VOLUME** de la unidad principal o pulse **VOL** del control remoto.

El nivel de sonido se visualiza como un número del 0 a MAX (31).

El nivel de sonido se ajusta automáticamente a 16 cuando se desconecta la alimentación estando el nivel de sonido ajustado en 17 o más.

### SISTEMA BBE

El sistema BBE realza la claridad del sonido de alta frecuencia.

**Pulse BBE.**

Cada vez que lo pulse, el nivel cambiará. Seleccione uno de los tres niveles o la posición de apagado, lo que usted prefiera.



### SISTEMA SUPER T-BASS

El sistema T-BASS realza el realismo del sonido de baja frecuencia.

**Pulse T-BASS.**

Cada vez que lo pulse, el nivel cambiará. Seleccione uno de los tres niveles o la posición de apagado, lo que usted prefiera.



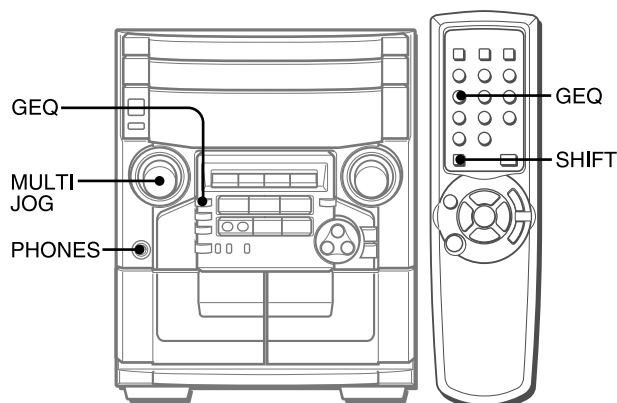
**Para seleccionar con el control remoto**

Pulse **T-BASS** mientras pulsa **SHIFT**.

#### NOTA

- Cuando reproduzca una cinta grabada con BBE se recomienda desactivar BBE para evitar el sonido de alta frecuencia distorsionado.
- El sonido de baja frecuencia tal vez se distorsione cuando se utilice el sistema T-BASS con un disco o una cinta cuyo sonido de baja frecuencia haya sido realzado originalmente. En este caso, cancele el sistema T-BASS.

## ECUALIZADOR GRAFICO



Esta unidad proporciona las cinco curvas de ecualización diferentes siguientes.

**ROCK:** Sonido potente que realza los agudos y los graves.

**POP:** Más presencia en las voces y en la gama de registro medio.

**LATIN:** Frecuencias más altas acentuadas para música latina.

**CLASSIC:** Sonido enriquecido con graves profundos y agudos finos.

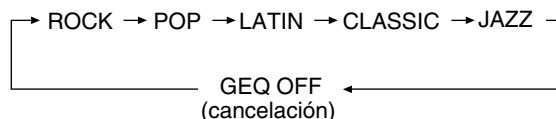
**JAZZ:** Frecuencias bajas acentuadas para música tipo jazz.

**Pulse repetidamente GEQ, o pulse una vez GEQ y gire MULTI JOG antes de que pasen 4 segundos, para seleccionar una de las curvas de ecualización.**

GRAPHIC EQUALIZER



“GRAPHIC EQUALIZER” aparece y el modo GEQ se visualiza cíclicamente de la forma siguiente:



\* El modo GEQ puede visualizarse en orden inverso si se utiliza **MULTI JOG**.

**Para visualizar el modo GEQ actual**

Pulse **GEQ**. El modo actual se visualiza durante 4 segundos.

**Para cancelar el modo seleccionado**

Pulse repetidamente **GEQ**, o pulse una vez **GEQ** y gire **MULTI JOG** antes de que pasen 4 segundos, para seleccionar “GEQ OFF”. “GRAPHIC EQUALIZER” desaparece.

**Para seleccionar con el control remoto**

Pulse repetidamente **GEQ** mientras pulsa **SHIFT**. El modo GEQ se visualizará cíclicamente de la forma siguiente.

**Utilización de los auriculares**

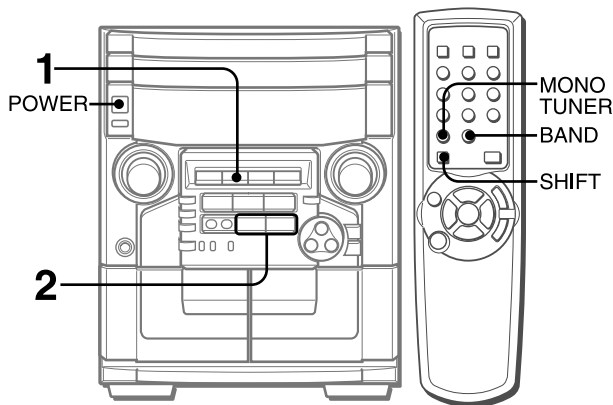
Conecte auriculares con clavija estéreo estándar de 6,3 mm ø a la toma **PHONES**.

Mientras los auriculares estén conectados no saldrá sonido de los altavoces.

**Ajuste de sonido durante la grabación**

El volumen de salida y el tono (excepto BBE) de los altavoces o auriculares podrán cambiarse libremente sin afectar en absoluto a la grabación.

# SINTONIZACION MANUAL



**1 Pulse repetidamente TUNER BAND para seleccionar la banda deseada.**

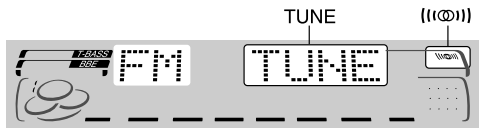


Cuando se pulse **TUNER BAND** mientras la alimentación esté desconectada, la alimentación se conectará directamente.

**Para seleccionar una banda con el control remoto**  
Pulse **BAND** mientras pulsa **SHIFT**.

**2 Pulse ◀◀ DOWN o ▶▶ UP para seleccionar una emisora.**

Cada vez que pulse el botón, la frecuencia cambiará.  
Cuando se reciba una emisora, "TUNE" se visualizará durante 2 segundos.  
Durante la recepción estéreo por FM se visualizará ((Ⓜ)).



**Para buscar rápidamente una emisora (Búsqueda automática)**

Mantenga pulsado **◀◀ DOWN** o **▶▶ UP** hasta que la frecuencia empiece a cambiar rápidamente. Después de sintonizar una emisora, la búsqueda parará.

Para detener manualmente la búsqueda automática, pulse **◀◀ DOWN** o **▶▶ UP**.

- La búsqueda automática quizá no pare en emisoras cuyas señales sean muy débiles.

**Cuando una radiodifusión estéreo por FM tenga ruido**  
Pulse **MONO TUNER** del control remoto mientras pulsa **SHIFT** para que "MONO" aparezca en el visualizador.  
El ruido se reducirá, pero la recepción será mono.  
Para reponer la recepción estéreo, repita el método de arriba que desaparezca "MONO".

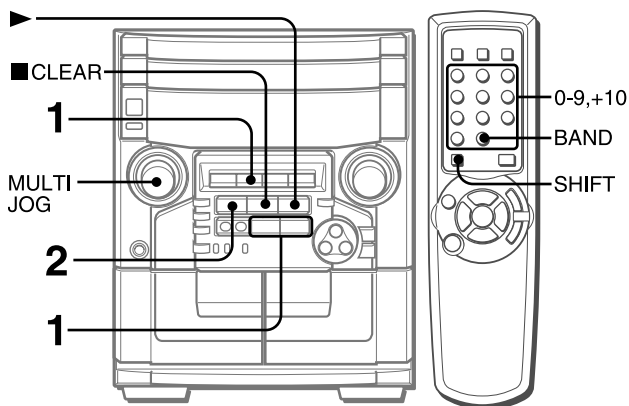
**Para cambiar un intervalo de sintonización de AM**  
El ajuste predeterminado del intervalo de sintonización de AM es de 10 kHz/paso. Si utiliza esta unidad en un área donde el sistema de asignación de frecuencia es de 9 kHz/paso, cambie el intervalo de sintonización.  
Pulse **POWER** mientras pulsa **TUNER BAND**.  
Para reponer el intervalo, repita este procedimiento.

**NOTA**

Cuando se cambie el intervalo de sintonización de AM, todas las emisoras preajustadas se borrarán. Las emisoras preajustadas tendrán que ajustarse de nuevo.



## PREAJUSTE DE EMISORAS

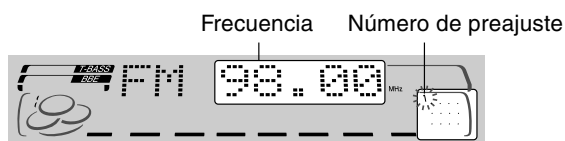


La unidad puede almacenar un total de 32 emisoras. Cuando almacene una emisora, a esa emisora se le asignará un número de preajuste. Utilice el número de preajuste para sintonizar directamente una emisora preajustada.

**1 Pulse TUNER BAND para seleccionar una banda, y pulse ◀◀ DOWN o ▶▶ UP para seleccionar una emisora.**

**2 Pulse || SET para almacenar la emisora.**

A las emisoras de cada banda se les asigna un número de preajuste en orden consecutivo empezando por el 1.



**3 Repita los pasos 1 y 2.**

La siguiente emisora no se almacenará si ya se ha almacenado un total de 32 emisoras de preajuste de todas las bandas.

### NOTA

FULL se visualiza si intenta almacenar más de 32 emisoras preajustadas.stations.

## SINTONIZACION MEDIANTE NUMERO DE PREAJUSTE

Utilice el control remoto para seleccionar directamente el número de preajuste.

**1 Pulse BAND mientras pulsa SHIFT para seleccionar una banda.**

**2 Pulse los botones numerados 0-9 y +10 para seleccionar un número de preajuste.**

Ejemplo:

Para seleccionar el número de preajuste 20, pulse +10, +10 y 0.

Para seleccionar el número de preajuste 15, pulse +10 y 5.

**Selección de un número de preajuste en la unidad principal**

Pulse TUNER BAND para seleccionar una banda. Luego, pulse repetidamente ▶ o gire MULTI JOG.

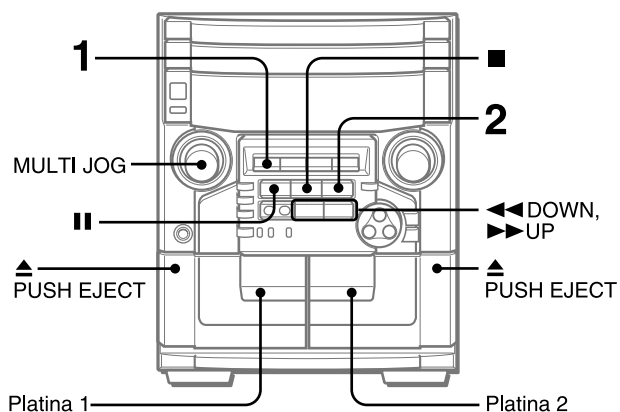
Cada vez que se pulse ▶ se seleccionará el siguiente número más alto.

**Para borrar una emisora preajustada**

Seleccione el número de preajuste de la emisora que vaya a borrar. Luego, pulse ■ CLEAR, y pulse || SET antes de que pasen 4 segundos.

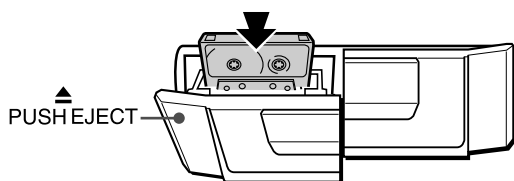
Los números de preajuste superiores de todas las demás emisoras de la banda disminuirán también en uno.

# OPERACIONES BASICAS



Esta unidad ha sido diseñada para reproducir de forma óptima cintas tipo I (normales).

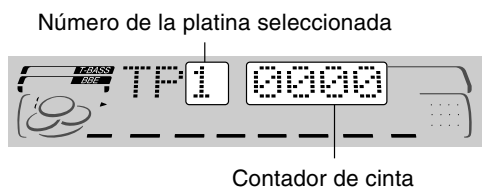
**1 Pulse TAPE y ▲ PUSH EJECT para abrir el portacasete.**



Inserte una cinta con el lado expuesto hacia abajo. Empuje el portacasete para cerrarlo.

**2 Pulse ► para iniciar la reproducción.**

Sólo puede reproducirse la cara que queda hacia afuera de la unidad.



**Para seleccionar una platina de reproducción**

Cuando haya cintas cargadas en ambas platinas, pulse primero **TAPE** para seleccionar una de las platinas.

El número de la platina seleccionada se visualiza.

**Para detener la reproducción,** pulse ■.

**Para hacer una pausa en la reproducción (platina 2 solamente),** pulse ■■. Para reanudar la reproducción, púselo de nuevo.

**Para avanzar rápidamente o rebobinar,** pulse ◀◀ o ▶▶. Luego pulse ■ para detener la cinta.

**Para iniciar la reproducción cuando la alimentación esté desconectada (función de reproducción directa)**

Pulse **TAPE**. La alimentación se conectará y empezará la reproducción de la cinta insertada.

**Para poner el contador de cinta a 0000**

Pulse ■ **CLEAR** en el modo de parada.

El contador también se pone en 0000 cuando se abre el portacasete.

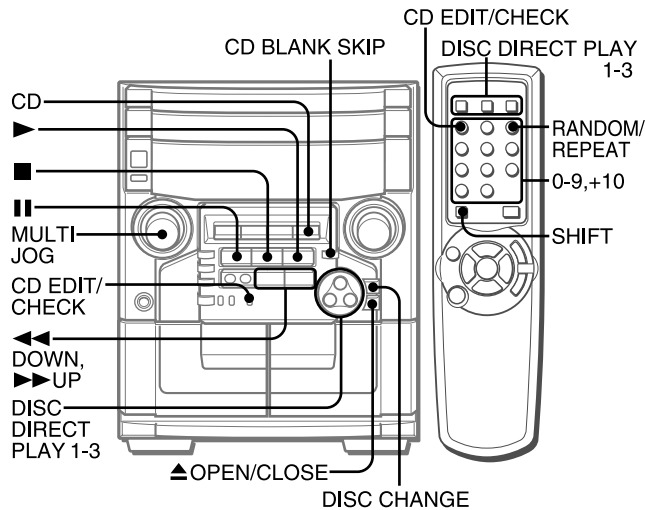
**Cuando haya cintas cargadas en ambas platinas**

Después de terminar la reproducción en la platina 1, la cinta de la platina 2 empezará a reproducirse sin interrupción y la reproducción se detendrá al terminar la cinta. (Reproducción continua)

**NOTA**

En esta unidad también pueden reproducirse cintas tipo II (alta polaridad). Cuando reproduzca una cinta tipo II, gire **MULTI JOG** para visualizar "SOFT" en el visualizador. Esto ajustará el sonido de reproducción óptimo para las cintas del tipo II. Sin embargo, la reproducción "SOFT" se cancelará si se selecciona cualquier ajuste del ecualizador gráfico (página 8), la unidad cambia a una fuente de audio diferente, el portacasete se abre o la alimentación se desconecta.

**OPERACIONES BASICAS**



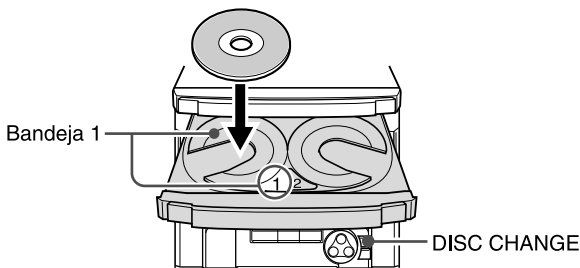
**INTRODUCCION DE DISCOS**

Pulse **CD**, y luego pulse **▲ OPEN/CLOSE** para abrir el compartimiento de los discos. Introduzca el(los) disco(s) con el lado de la etiqueta hacia arriba.

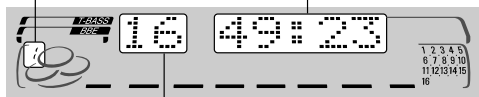
Para reproducir uno o dos discos, ponga los discos en las bandejas 1 y 2.

Para reproducir tres discos, pulse **DISC CHANGE** para girar las bandejas después de poner dos discos. Ponga el tercer disco en la bandeja 3.

Cierre el compartimiento del disco pulsando **▲ OPEN/CLOSE**.



Número de la bandeja del disco que va a ser reproducido      Tiempo de reproducción total



Número total de canciones

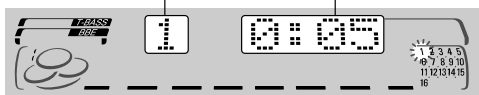
**REPRODUCCION DE DISCOS**

Introduzca los discos.

Para reproducir todos los discos del compartimiento de los discos, pulse **▶**.

La reproducción empezará por el disco de la bandeja 1.

Número de la canción que está siendo reproducida      Tiempo de reproducción transcurrido



Para reproducir un disco solamente, pulse **DISC DIRECT PLAY 1-3**.

El disco seleccionado se reproducirá una vez.

Para detener la reproducción, pulse **■**.

Para hacer una pausa en la reproducción, pulse **||**. Para reanudar la reproducción, púlselo de nuevo.

Para buscar un punto particular durante la reproducción, mantenga pulsado **◀◀** o **▶▶** y suéltelo en el punto deseado.

Para saltar hasta el comienzo de una pista durante la reproducción, pulse repetidamente **◀◀** o **▶▶** o gire **MULTI JOG**.

Para quitar discos, pulse **▲ OPEN/CLOSE**.

Para iniciar la reproducción cuando la alimentación esté desconectada (función de reproducción directa)

Pulse **CD**. La alimentación se conectará y la reproducción del(de) los) disco(s) introducido(s) empezará.

Cuando se pulse **▲ OPEN/CLOSE**, la alimentación también se conectará y el compartimiento de los discos se abrirá.

Para comprobar el tiempo restante

Durante la reproducción (excepto durante la reproducción aleatoria o programada), pulse **CD EDIT/CHECK**. El tiempo restante hasta que se reproduzcan todas las canciones se visualizará. Para reponer la visualización del tiempo de reproducción, repita el procedimiento anterior.

Cuando utilice el control remoto, pulse **CD EDIT/CHECK** mientras pulsa **SHIFT**.

Selección de una canción con el control remoto

- 1 Pulse **DISC DIRECT PLAY 1-3** para seleccionar un disco.
- 2 Pulse los botones numerados **0-9** y **+10** para seleccionar una canción.

Ejemplo:

Para seleccionar la canción número 25, pulse **+10**, **+10** y **5**.

Para seleccionar la canción número 10, pulse **+10** y **0**.

La canción seleccionada empieza a reproducirse y la reproducción continúa hasta el final del disco.

Reemplazo de discos durante la reproducción

Mientras se reproduzca un disco, los otros discos podrán reemplazarse sin interrumpir la reproducción.

- 1 Pulse **DISC CHANGE**.
- 2 Quite los discos y ponga otros.
- 3 Pulse **▲ OPEN/CLOSE** para cerrar el compartimiento de los discos.

**NOTA**

- Cuando introduzca un disco de 8 cm, póngalo en el círculo interior de la bandeja.
- No ponga más de un disco compacto en una bandeja de disco.
- No incline la unidad habiendo discos introducidos. Hacer esto podría causar averías.
- No utilice discos compactos con formas irregulares (por ejemplo, con forma de corazón, octagonales, etc.). Éstos podrían ocasionar un fallo en el funcionamiento.
- La unidad tal vez no reproduzca un disco CD-R/RW grabado en una computadora personal o en alguna clase de grabadora CD-R/RW debido a las diferencias en los formatos de grabación.
- No ponga ninguna pegatina ni etiqueta en ninguna de las caras (cara grabable o cara de la etiqueta) de un disco CD-R/RW. Eso podría causar un fallo en el funcionamiento.

## REPRODUCCION ALEATORIA/ REPETICION DE REPRODUCCION

Utilice el control remoto.

### Reproducción aleatoria

Todas las canciones del disco seleccionado o de todos los discos podrán reproducirse aleatoriamente.


### Repetición de reproducción

Un solo disco o todos ellos podrán reproducirse repetidamente.


### Pulse RANDOM/REPEAT mientras pulsa SHIFT.


Cada vez que se pulse, la función podrá seleccionarse cíclicamente.

**Reproducción aleatoria** — RANDOM se enciende en el visualizador.

**Repetición de reproducción** —  se enciende en el visualizador.


**Reproducción aleatoria/Repetición de reproducción** — RANDOM y  se encienden en el visualizador.

**Cancelación** — RANDOM y  desaparecen del visualizador.

**Para reproducir todos los discos**, pulse  para iniciar la reproducción.

**Para reproducir un solo disco**, pulse uno de los botones **DISC DIRECT PLAY 1-3** para iniciar la reproducción.

### NOTA

Durante la reproducción aleatoria no será posible saltar a la canción previamente reproducida con .

## REPRODUCCION CON SALTO DE SECCIONES EN BLANCO

Las secciones en blanco entre las canciones grabadas de un disco compacto pueden saltarse durante la reproducción.

### 1 Pulse CD BLANK SKIP.

“CD BLANK SKIP ON” se visualiza y aparecerá un punto pequeño en el visualizador.



### 2 Pulse para iniciar la reproducción.

Las secciones en blanco entre canciones se saltarán, y el sonido se reproducirá sin interrupción. Si una canción termina con desvanecimiento (el sonido va disminuyendo gradualmente), la parte con desvanecimiento también se saltará.

### Para volver a la reproducción normal

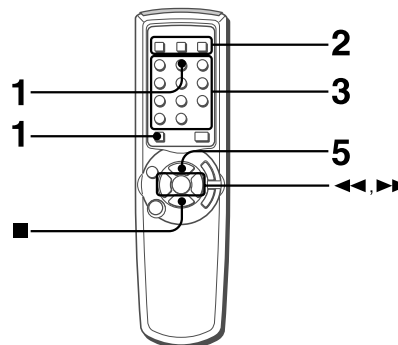
Pulse de nuevo **CD BLANK SKIP** y el punto del visualizador desaparecerá.

### NOTA

- Puede haber casos en los que la REPRODUCCION CON SALTO DE SECCIONES EN BLANCO no funcionará correctamente.
- La REPRODUCCION CON SALTO DE SECCIONES EN BLANCO se cancela automáticamente cuando se realiza la GRABACION CON EDICION AI (página 16), la GRABACION CON EDICION PROGRAMADA (página 17) la grabación durante la REPRODUCCION PROGRAMADA (página 13) o la REPRODUCCION ALEATORIA (página 13).

## REPRODUCCION PROGRAMADA

Se podrá programar un máximo de 30 canciones de cualquiera de los discos introducidos.



Utilice el control remoto.

### 1 Pulse PRGM mientras pulsa SHIFT en el modo de parada.

“PRG” se visualiza.



### 2 Pulse DISC DIRECT PLAY 1-3 para seleccionar un disco.

Vaya al paso siguiente cuando la bandeja deje de girar.

### 3 Pulse los botones numerados 0-9 y +10 para programar una canción.

Ejemplo:

Para seleccionar la canción número 25, pulse **+10**, **+10** y **5**.

Para seleccionar la canción número 10, pulse **+10** y **0**.



Número de la canción seleccionada	Número total de canciones seleccionadas
10	1
25	2
10	3
10	4
10	5

Número de programa      Tiempo de reproducción total de las canciones seleccionadas


### 4 Repita los pasos 2 y 3 para programar otras canciones.

### 5 Pulse para iniciar la reproducción.

#### Para comprobar el programa

Cada vez que se pulse  o  en el modo de parada, se visualizará un número de disco, un número de canción y un número de programa.

#### Para borrar el programa

Pulse  **CLEAR** en el modo de parada.


#### Para añadir canciones al programa

Repita los pasos 2 y 3 en el modo de parada. La canción se programará después de la última canción.

#### Para cambiar las canciones programadas

Borre el programa y repita de nuevo todos los pasos.

#### Para reproducir repetidamente las canciones programadas

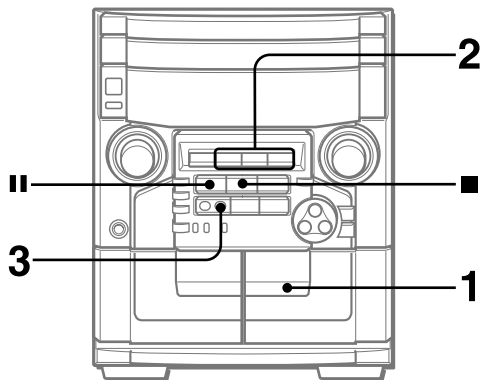
Después de programar las canciones, pulse repetidamente **RANDOM/REPEAT** mientras pulsa **SHIFT** hasta que aparezca  en el visualizador.

### NOTA

- Durante la reproducción programada no se puede realizar la reproducción aleatoria, comprobar el tiempo restante y seleccionar un disco o una canción. “Can’t USE” se visualizará si intenta seleccionar una canción.
- “FULL” se visualizará si usted intenta programar más de 30 canciones.

## GRABACION BASICA

Esta sección explica cómo grabar del sintonizador, del reproductor de discos compactos o de un equipo exterior.

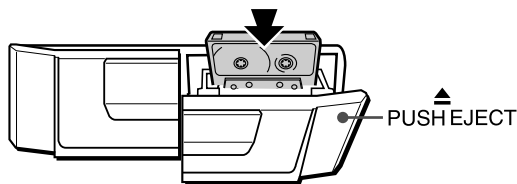


## Preparación

- Utilice cintas tipo I (normales) solamente.
- Ponga la cinta en el punto donde vaya a iniciar la grabación.
- Tenga en cuenta que la grabación sólo se hace en una cara de la cinta.

## 1 Inserte la cinta que vaya a grabar en la platina 2.

Inserte la cinta con la cara que vaya a grabar en primer lugar hacia afuera de la unidad.



## 2 Pulse el botón de función (CD, TUNER o VIDEO/AUX) y prepare la fuente de sonido de la que vaya a grabar.

**Para grabar de un disco compacto**, pulse **CD** e introduzca el(los) disco(s).

**Para grabar de una radiodifusión**, pulse **TUNER** y sintonice una emisora.

**Para grabar de una fuente conectada**, pulse **VIDEO/AUX**.

## 3 Pulse ● REC/REC MUTE para iniciar la grabación.

Cuando grabe de una fuente conectada, inicie la reproducción en esa fuente.



Cuando la función seleccionada sea CD, la reproducción y la grabación empezarán simultáneamente.

**Para detener la grabación**, pulse ■.

**Para hacer una pausa en la grabación**, pulse II. (Aplicable cuando la fuente es TUNER o VIDEO/AUX.) Para reanudar la grabación, vuelva a pulsar el botón.

## Ajuste del sonido durante la grabación

El volumen de salida y el tono (excepto BBE) de los altavoces o auriculares podrán cambiarse libremente sin afectar en absoluto a la grabación.

## INSERCIÓN DE ESPACIOS SIN GRABAR

La inserción de espacios sin grabar de 4 segundos le permite activar la función del sensor musical. (Puede aplicarse cuando la fuente de sonido es TUNER o VIDEO/AUX).

## 1 Pulse ● REC/REC MUTE durante la grabación o en el modo de pausa de grabación.

**REC** parpadeará en el visualizador durante 4 segundos y se creará un espacio sin grabar de 4 segundos. Luego, la platina entrará en el modo de pausa de grabación.

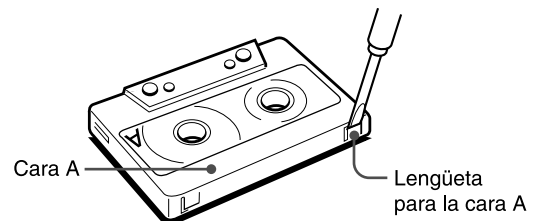
## 2 Pulse II para reanudar la grabación.

**Para insertar un espacio en blanco de menos de 4 segundos**, pulse de nuevo ● REC/REC MUTE mientras parpadea **REC**. **Para insertar espacios en blanco de más de 4 segundos**, después de que la platina entre en el modo de pausa de grabación, pulse de nuevo ● REC/REC MUTE.

Cada vez que se pulse el botón se añadirá un espacio en blanco de 4 segundos.

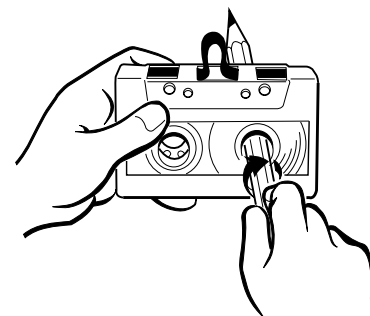
## Acerca de las cintas de casete

- **Para impedir el borrado accidental**, rompa con un destornillador u otra herramienta puntiaguda las lengüetas de plástico del casete después de grabar.



Para volver a grabar en una cinta, tape las aberturas con cinta adhesiva, etc.

- **Las cintas de 120 minutos o más** son extremadamente finas y se deforman o estropean fácilmente. No son recomendadas.
- **Tense la cinta** con un lapicero o herramienta similar antes de utilizarla. La cinta floja puede romperse o atascarse en el mecanismo.



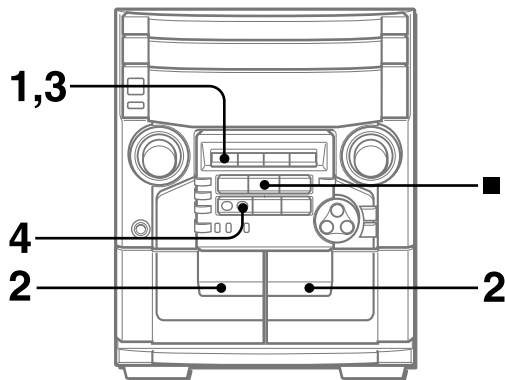
## NOTA

Si se intenta grabar en una cinta cuyo casete tiene las lengüetas de plástico rotas se visualizará "Can't REC".

## Para borrar una grabación

- 1 Introduzca la cinta que vaya a borrar en la platina 2 y pulse **TAPE DECK 1/2** para visualizar "TP 2".
- 2 Ponga la cinta en el punto donde vaya a empezar a borrar.
- 3 Pulse ● REC/REC MUTE para iniciar el borrado.

## COPIADO MANUAL DE UNA CINTA

**NOTA**

- Ponga la cinta en el punto donde vaya a empezar la grabación.
- Tenga en cuenta que la grabación se hará en una cara de la cinta solamente.

**1 Pulse TAPE.****2 Inserte la cinta original en la platina 1 y la cinta que vaya a grabar en la platina 2.**

Inserte las cintas con las caras que vaya a reproducir o grabar hacia afuera de la unidad.

**3 Pulse TAPE DECK 1/2 para seleccionar la platina 1.**

"TP 1" se visualizará.

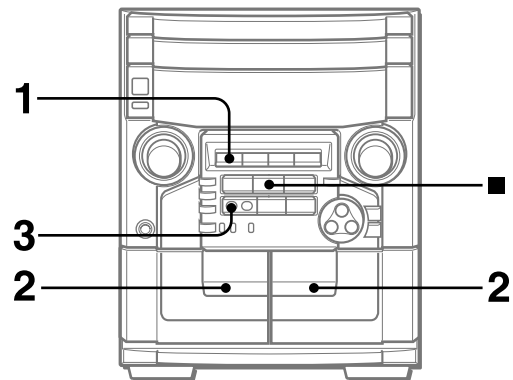
**4 Pulse ● REC/REC MUTE para iniciar la grabación.**

La reproducción y la grabación empezarán simultáneamente.

**Para detener el copiado**

Pulse ■.

## COPIADO DE TODA LA CINTA



Est función le permite hacer copias exactas de la cinta original.

**NOTA**

- La copia no empieza desde un punto ubicado en medio de la cinta.
- Tenga en cuenta que la grabación se hará en una cara de la cinta solamente.

**1 Pulse TAPE.****2 Inserte la cinta original en la platina 1 y la cinta que vaya a grabar en la platina 2.**

Inserte cada cinta con la cara que vaya a ser reproducida o grabada hacia afuera de la unidad.

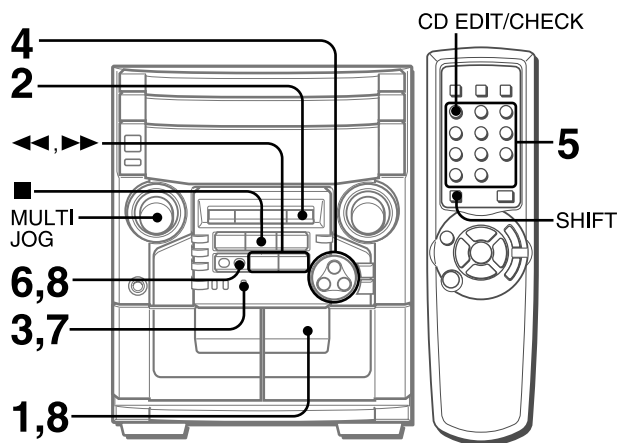
**3 Pulse SYNC DUB para iniciar la grabación.**

Las cintas se rebobinan hasta el principio de las caras delanteras y comienza la grabación.

**Para detener el copiado**

Pulse ■.

## GRABACION CON EDICION AI



La función de grabación con edición AI permite grabar discos compactos sin preocuparse de la duración de la cinta y de las canciones. Cuando se inserte un disco compacto, la unidad calculará automáticamente la duración total de las canciones. En caso de ser necesario, el orden de las canciones cambiará para que ninguna de ellas quede cortada.

(AI: Inteligencia Artificial)

### NOTA

La grabación con edición AI no empezará desde un punto que se encuentre en medio de la cinta. La cinta deberá grabarse desde el principio de cada cara.

#### 1 Inserte la cinta en la platina 2.

Inserte la cinta con la cara que vaya a grabar en primer lugar hacia afuera de la unidad.

#### 2 Pulse CD e introduzca el (los) disco (s).

#### 3 Pulse una vez CD EDIT/CHECK.

Cuando utilice el control remoto, pulse una vez **CD EDIT/CHECK** mientras pulsa **SHIFT**.

Se visualizan "EDIT" y "AI".



• Cuando se visualice "PRGM", pulse **CD EDIT/CHECK**.

#### 4 Pulse DISC DIRECT PLAY 1-3 para seleccionar un disco.

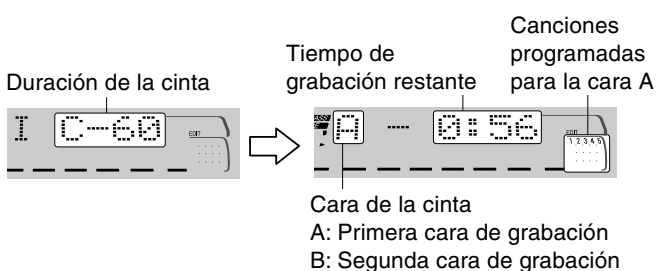
#### 5 Pulse los botones numerados 0-9 del control remoto para designar la duración de la cinta.

Se puede especificar una duración de 10 a 99 minutos.

Ejemplo: Cuando utilice una cinta de 60 minutos, pulse **6** y **0**.

En unos pocos segundos, las canciones que van a ser grabadas en cada cara de la cinta serán determinadas.

• **◀▶** o **MULTI JOG** también se pueden utilizar para designar la duración de la cinta.



#### 6 Pulse **● REC/REC MUTE** para iniciar la grabación de la primera cara.

La cinta se rebobinará hasta el principio de la primera cara, el segmento guía avanzará durante 10 segundos y la grabación empezará. Cuando termine de grabarse la última canción programada para la cara A, la platina 2 entrará en el modo de parada de grabación. Después de entrar en el modo de parada de grabación, vaya al paso 7.

#### 7 Pulse **CD EDIT/CHECK** para visualizar el programa para la segunda grabación.

Se visualiza "B".

#### 8 Dé la vuelta a la cinta de la platina 2 y pulse **● REC/REC MUTE** para iniciar la grabación de la segunda cara.

#### Para detener la grabación

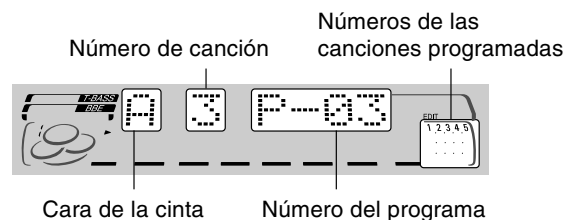
Pulse **■**. La grabación y la reproducción del disco compacto se pararán simultáneamente.

#### Para borrar el programa de edición

Pulse dos veces **■ CLEAR** para que "EDIT" desaparezca del visualizador.

#### Para comprobar el orden de los números de las canciones programadas

Antes de grabar, pulse **CD EDIT/CHECK** para seleccionar la cara A o B, y pulse repetidamente **◀▶**.



#### Para añadir canciones de otros discos a un programa de edición

Si queda tiempo en la cinta después del paso 5, usted podrá añadir canciones de otros discos que se encuentren en el compartimiento de los discos compactos.

1 Pulse **CD EDIT/CHECK** para seleccionar la cara A o la B.

2 Pulse **DISC DIRECT PLAY 1-3** para seleccionar un disco.

3 Pulse los botones numerados del control remoto para seleccionar canciones.

Una canción cuyo tiempo de reproducción sea superior al tiempo restante no podrá ser programada.

4 Repita los pasos 2 y 3 para añadir más canciones.

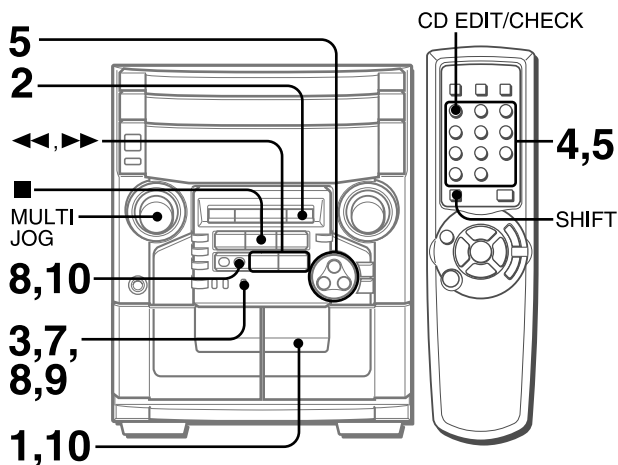
#### Tiempo de las cintas de casete y tiempo de edición

El tiempo real de grabación de los casetes es por lo general un poco más largo que el tiempo de grabación especificado en sus etiquetas. Esta unidad puede programar canciones para utilizar ese tiempo extra. Cuando el tiempo total de grabación sea un poco más largo que el tiempo de grabación especificado en el casete, después de la edición, el visualizador mostrará el tiempo extra (sin un signo menos) en lugar del tiempo restante de la cinta (con el signo menos).

### NOTA

La función de grabación con edición AI no se podrá utilizar con discos que tengan 31 canciones o más. Si se intenta hacer esto se visualizará "TR OVER".

## GRABACION CON EDICION PROGRAMADA



En la función de grabación con edición programada, las canciones pueden programarse mientras se comprueba el tiempo restante de cada cara de la cinta.

### NOTA

La grabación con edición programada no empezará desde un punto ubicado en medio de la cinta. La cinta deberá grabarse desde el principio de una de las caras.

#### 1 Inserte la cinta en la platina 2.

Inserte la cinta con la cara que vaya a grabar en primer lugar hacia afuera de la unidad.

#### 2 Pulse CD e introduzca el(los) disco(s).

#### 3 Pulse dos veces CD EDIT/CHECK.

Cuando utilice el control remoto, pulse dos veces **CD EDIT/CHECK** mientras pulsa **SHIFT**.

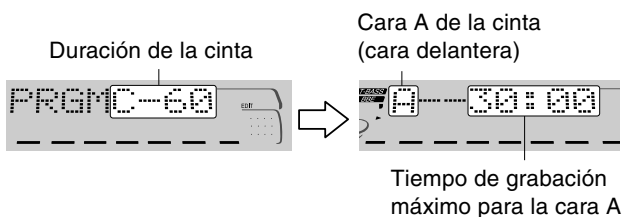
“EDIT” y “PRGM” se visualizarán.

- Cuando se visualice “AI”, pulse de nuevo **CD EDIT/CHECK**.

#### 4 Pulse los botones numerados del control remoto para designar la duración de la cinta.

Se puede especificar una duración de 10 a 99 minutos.

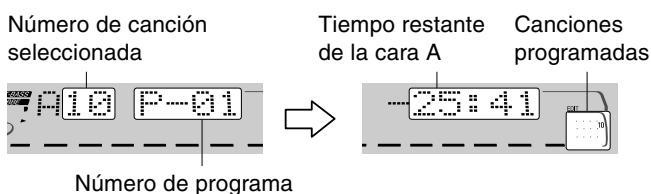
- **◀▶**, **▶▶** o **MULTI JOG** también se encuentran disponibles para designar la duración de la cinta.



#### 5 Pulse DISC DIRECT PLAY 1-3 para seleccionar un disco.

#### Luego, pulse los botones numerados 0-9 y +10 del control remoto para programar una canción.

Ejemplo: Para seleccionar la canción número 10 del disco 2, pulse **DISC DIRECT PLAY 2**, y luego pulse **+10** y **0**.



#### 6 Repita el paso 5 para el resto de las canciones para la cara A.

Una canción cuyo tiempo de grabación sea superior al tiempo restante no podrá ser programada.

#### 7 Pulse CD EDIT/CHECK para seleccionar la cara B y programe las canciones para la cara B.

Después de confirmar que “B” aparezca en el visualizador, repita el paso 5.

Cara B de la cinta (cara trasera)



#### 8 Pulse CD EDIT/CHECK para seleccionar la cara A y pulse ● REC/REC MUTE para iniciar la grabación.

La cinta se rebobina hasta el principio de la cara delantera, el segmento guía avanza durante 10 segundos y empieza la grabación. Cuando termine la última canción programada para la cara A, la platina 2 entrará en el modo de parada de grabación. Después de entrar en el modo de parada de grabación, vaya al paso 9.

#### 9 Pulse CD EDIT/CHECK para grabar la segunda cara.

Se visualiza “B”.

#### 10 Dé la vuelta a la cinta de la platina 2 y pulse ● REC/REC MUTE para iniciar la grabación.

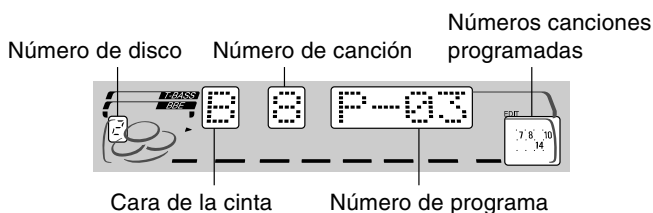
La grabación empieza.

#### Para detener la grabación

Pulse **■**. La grabación y la reproducción del disco compacto pararán simultáneamente.

#### Para comprobar el orden de los números de las canciones programadas

Antes de grabar, pulse **CD EDIT/CHECK** para seleccionar la cara A o B, y pulse repetidamente **◀▶** o **▶▶**.



#### Para cambiar el programa de cada cara

Pulse **CD EDIT/CHECK** para seleccionar la cara A o B, y pulse **■ CLEAR** para borrar el programa de la cara seleccionada. Luego vuelva a programar canciones.

#### Para borrar el programa de edición

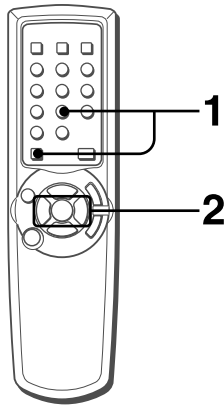
Pulse dos veces **■ CLEAR** para que “EDIT” desaparezca del visualizador.

### NOTA

- Se puede programar un máximo de 30 canciones de cualquiera de los discos insertados.
- “FULL” se visualizará si usted intenta programar más de 30 canciones.



**AJUSTE DEL TEMPORIZADOR PARA DORMIR**



La unidad se podrá apagar automáticamente después de transcurrido un tiempo especificado.

Utilice el control remoto.

**1 Pulse SLEEP mientras pulsa SHIFT.**



- 2 Antes de que pasen 4 segundos, pulse ◀◀ DOWN o ▶▶ UP para especificar el tiempo tras el cual se desconectará la alimentación.**  
 El tiempo cambia entre 5 y 240 minutos en pasos de 5 minutos. También puede utilizarse MULTI JOG en lugar de ◀◀ o ▶▶.



Mientras funciona el temporizador, la indicación del visualizador será más oscura de lo normal.

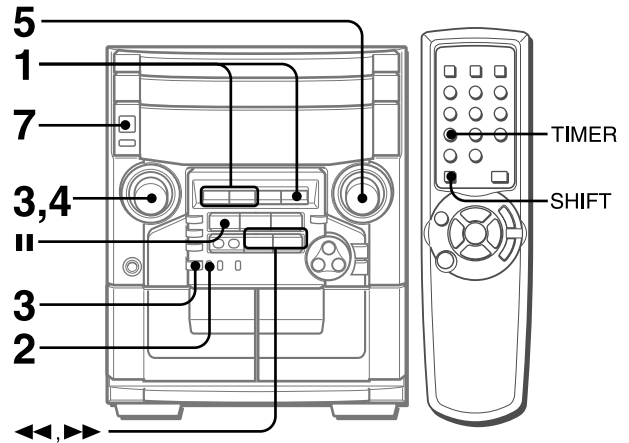
**Para comprobar el tiempo restante hasta que se desconecte la alimentación**

Pulse una vez SLEEP mientras pulsa SHIFT. El tiempo restante se visualizará durante 4 segundos.

**Para cancelar el temporizador para dormir**

Pulse dos veces SLEEP mientras pulsa SHIFT para que "SLEEP OFF" aparezca en el visualizador.

**AJUSTE DEL TEMPORIZADOR**



La unidad podrá encenderse a la hora especificada todos los días gracias al temporizador incorporado.

**Preparación**

Asegúrese de que la hora del reloj sea correcta.

- 1 Pulse uno de los botones de función para seleccionar una fuente.**

- 2 Pulse repetidamente TIMER hasta que ☉ aparezca en el visualizador.**

Cuando utilice el control remoto, pulse TIMER mientras pulsa SHIFT.

La hora y el nombre de la fuente de sonido parpadean alternativamente.



- 3 Antes de que pasen 6 segundos, gire MULTI JOG para designar la hora de encendido del temporizador, y luego pulse ENTER o ||.**

Al girar MULTI JOG cambian las horas y los minutos.

◀◀ o ▶▶ también podrá utilizarse en lugar de MULTI JOG.

Al mantener pulsados estos botones, la hora cambiará rápidamente.



- 4 Antes de que pasen 4 segundos, gire MULTI JOG para seleccionar la duración del periodo activado por temporizador.**

La duración puede ajustarse entre 5 y 240 minutos en pasos de 5 minutos.

◀◀ o ▶▶ también podrá utilizarse en lugar de MULTI JOG.



La duración se ajustará automáticamente después de 4 segundos. También se ajustará si ENTER o || se pulsa antes de que pasen 4 segundos después del paso 4.

## 5 Ajuste el volumen.

El sonido de la fuente se reproducirá al nivel de sonido ajustado en este paso cuando la alimentación sea conectada por el temporizador.

Sin embargo, si el nivel del sonido se ajusta a 17 o más, éste se ajustará automáticamente a 16 cuando se conecte la alimentación.

## 6 Prepare la fuente.

**Para escuchar un disco compacto**, cargue el disco que vaya a reproducir en primer lugar en la bandeja 1.

**Para escuchar una cinta**, inserte la cinta en la platina 1 ó 2.

**Para escuchar la radio**, seleccione la banda y sintonice una emisora.

## 7 Pulse POWER para desconectar la alimentación.

Cuando llegue la hora de encendido del temporizador, la unidad se encenderá y la reproducción empezará con la fuente seleccionada.

### NOTA

Usted puede cambiar el sonido que fue seleccionado en el paso 1 pulsando uno de los botones de función antes de pulsar **ENTER** o **II** en el paso 3.

### Para comprobar el ajuste del temporizador

Pulse **TIMER**.

La hora de encendido del temporizador, la fuente seleccionada y la duración del periodo activado mediante temporizador se visualizarán durante 4 segundos.

### Para cambiar cualquiera de los ajustes anteriores

Empiece desde el paso 1.

Sin embargo, si no cambia la hora de encendido del temporizador en el paso 3, pulse dos veces **ENTER** y continúe desde el paso 4.

### Para cancelar temporalmente el modo de espera del temporizador

Pulse repetidamente **TIMER** para que desaparezca  $\ominus$ .

Para reponer el modo de espera del temporizador, púselo de nuevo para visualizar  $\ominus$ .

### Utilización de la unidad mientras esté ajustado el temporizador

Podrá utilizar normalmente la unidad después de ajustar el temporizador.

Antes de desconectar la alimentación, realice los pasos 5 y 6.

### NOTA

- La reproducción y la grabación con temporizador no empezarán si no se desconecta la alimentación.
- El equipo conectado no se podrá encender ni apagar con el temporizador incorporado de esta unidad. Utilice en este caso un temporizador externo.

## GRABACION CON TEMPORIZADOR

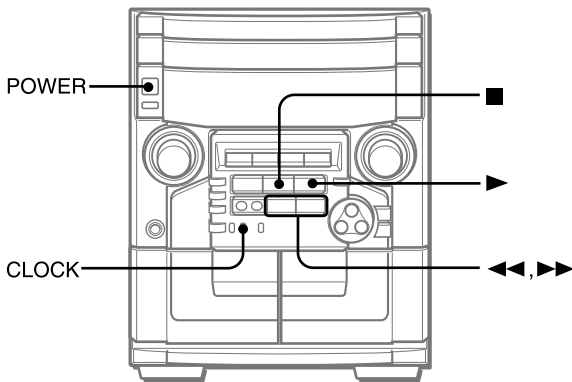
La grabación con temporizador sólo podrá utilizarse con las fuentes de sonido TUNER y VIDEO/AUX (con un temporizador externo).

Pulse **TUNER BAND** o **VIDEO/AUX** para seleccionar una fuente, y luego **pulse repetidamente TIMER hasta que  $\ominus$  parpadee en el visualizador**. Antes de que pasen 6 segundos, realice los pasos de "AJUSTE DEL TEMPORIZADOR", desde el 3, e inserte la cinta que vaya a grabar en la platina 2 después del paso 6.

### NOTA

- Si la grabación con temporizador se realiza con el modo de ahorro de energía (página 6) en "ECO ON" o "ECO AUTO" y la alimentación desconectada, el modo de intensidad de iluminación se pondrá al mínimo y el nivel del sonido será 0 (nivel mínimo) la próxima vez que se conecte la alimentación.
- Usted no puede utilizar la función del temporizador para grabar de un disco compacto o de una cinta.
- Podrá comprobar los ajustes del temporizador pulsando **TIMER** incluso estando desconectada la alimentación. En este caso, si pulsa **ENTER** o **II** antes de que pasen 4 segundos después de pulsar **TIMER**, usted podrá entrar en el modo de ajuste del temporizador y cambiar el ajuste anterior.

**DEMO (Demostración)**



En esta unidad usted podrá disfrutar de dos modos de DEMO. Uno es el de *demostración* y el otro el de *demostración del juego*. En el modo de demostración aparece una iluminación colorida en el visualizador.

En el modo de demostración del juego, usted puede jugar con un juego.

**Para cambiar entre los dos modos**, pulse **POWER** mientras pulsa ► estando la alimentación desconectada.

**Para activar la demostración o la demostración del juego**, pulse ► cuando la alimentación esté desconectada.

**Para desactivar la demostración o la demostración del juego**, pulse **CLOCK**.

Consulte más abajo para conocer cómo jugar con la demostración del juego.

**Para jugar con la demostración del juego**

**1 Para iniciar la demostración del juego, pulse ► cuando esté desconectada la alimentación.**

En el visualizador empiezan a moverse tres números.

**2 Pulse ■ una vez.**

El número de la izquierda se para.

**3 Pulse dos veces ■ para detener los dos números restantes.**

*Puntuación:*

Al empezar el juego dispondrá de 20 puntos.

Si todos los números son iguales se añadirán 50 puntos a la puntuación.

Si no son iguales se le restará un punto.

Si los puntos ganados llegan a 9999, usted gana.

Si los puntos llegan a 0, usted pierde.

**Para reponer la demostración del juego**

Pulse **CLOCK** y luego pulse ►.

**Para cambiar las probabilidades de igualación de los tres números**

Pulse repetidamente ◀◀ o ▶▶ para seleccionar uno de los tres niveles de probabilidad cuando juegue con la demostración del juego. El indicador del número de bandeja cambia en el visualizador entre 1 y 3. Al aumentar el número de la bandeja (de 1 a 3), más alta será la probabilidad de la igualación.



**NOTA**

• Mientras juega con la demostración del juego, ■, ◀◀, ▶▶ y ► sólo se encuentran disponibles para la demostración del juego. Desconecte la alimentación para utilizar estos botones en funciones tales como la reproducción de un disco compacto, etc.

• Durante la demostración del juego, algunos indicadores no relacionados con la operación actual se encienden en el visualizador.

**Sistema multiamplificador de 4 canales**

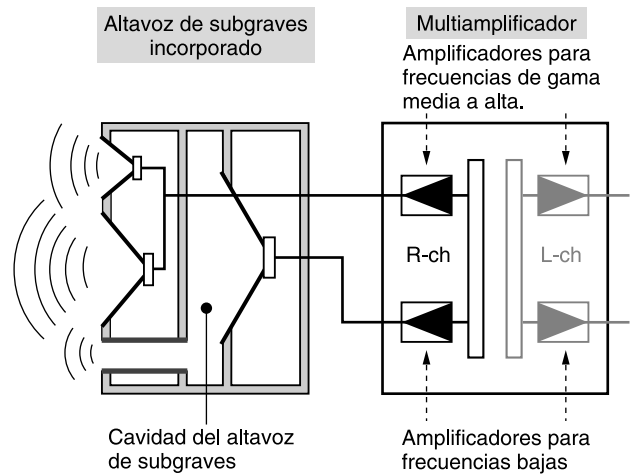
Para reforzar las frecuencias ultrabajas, además del amplificador de 2 canales, derecho e izquierdo, utilizado para reproducir las frecuencias medias a altas, este sistema incorpora un segundo amplificador de 2 canales, derecho e izquierdo, sólo para la reproducción de las frecuencias ultrabajas: lo que constituye, en efecto, un sistema de 4 amplificadores. Utilizando amplificadores discretos para las frecuencias medias a altas y para las frecuencias bajas, se puede obtener una reproducción de sonido de alta calidad que está virtualmente exento de distorsión.

Este sistema multiamplificador, que utiliza circuitos independientes para las diferentes gamas de frecuencia, permite una excelente reproducción de sonido libre de distorsión.

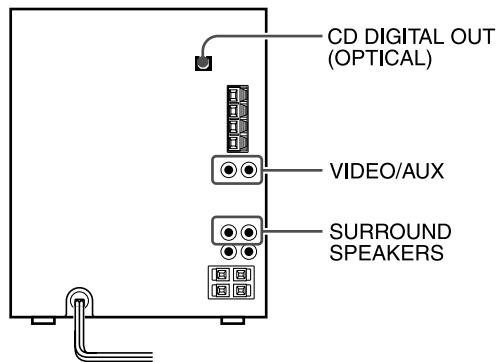
**Sistema de altavoz de subgraves incorporado**

El sistema de altavoz de subgraves incorporado tiene una cavidad de altavoz de subgraves separada que forma parte de la estructura de la caja del altavoz, y que actúa como filtro sónico para cortar los componentes de distorsión. (En el sistema de multiamplificador, las señales de frecuencia ultrabaja transmitidas desde su propio amplificador independiente se reproducen en esta área.) Esta construcción separada ofrece una definición rica y clara para la reproducción de graves, y puede reproducir señales de frecuencia media a alta claras y bien definidas.

Y el sistema de altavoz de subgraves AIWA incorporado incluye un altavoz de subgraves capaz de reproducir graves potentes y satisfactorios con una verdadera separación estéreo.



## CONEXION DE UN EQUIPO OPCIONAL



Consulte el manual de instrucciones del equipo conectado para tener más detalles.

- Los cables de conexión no han sido suministrados. Obtenga los cables de conexión necesarios.
- Consulte a su concesionario Aiwa local en cuanto al equipo opcional.

### TOMAS VIDEO/AUX

Esta unidad puede introducir señales de sonido analógico a través de estas tomas.

Utilice un cable con clavijas fono RCA para conectar equipos de audio (giradiscos, reproductores de discos láser, reproductores de minidiscos, videograbadoras, televisores, etc.).

Conecte la clavija roja a la toma **VIDEO/AUX R** y la blanca a la toma **VIDEO AUX L**.

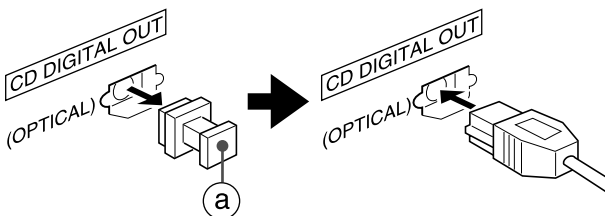
#### Cuando conecte un giradiscos

Utilice un giradiscos Aiwa equipado con amplificador ecualizador incorporado.

### TOMA CD DIGITAL OUT (OPTICAL)

Esta unidad puede dar salida a señales de sonido digital de discos compactos a través de esta toma. Utilice un cable óptico para conectar equipos de audio digital (platina de cinta audiodigital, grabadora de minidiscos, etc.).

Quite la tapa contra el polvo (a) de la toma **CD DIGITAL OUT (OPTICAL)**. Luego, conecte la clavija del cable óptico a la toma **CD DIGITAL OUT (OPTICAL)**.



#### Cuando no se utilice la toma CD DIGITAL OUT (OPTICAL)

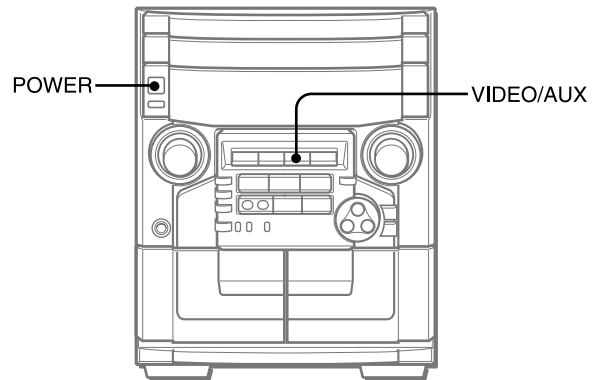
Ponga la tapa contra el polvo suministrada.

### TOMAS SURROUND SPEAKERS

Conecte altavoces de sonido ambiental opcionales con una impedancia de 8 a 16 ohmios a estas tomas.

Asegúrese de conectar ambos altavoces de sonido ambiental, izquierdo y derecho, a las tomas para obtener sonido de ellos.

## ESCUCHA DE FUENTES DE SONIDO EXTERNAS



Para hacer la reproducción en un equipo conectado a las tomas VIDEO/AUX haga lo siguiente.

#### 1 Pulse VIDEO/AUX.

“VIDEO” aparecerá en el visualizador.

#### 2 Haga la reproducción en el equipo conectado.

#### Para cambiar el nombre de una fuente de sonido en el visualizador

Cuando se pulse **VIDEO/AUX**, “VIDEO” se visualizará inicialmente. Esto podrá ser cambiado por “VIDEO”, “AUX” o “TV”. Con la alimentación conectada, pulse **POWER** mientras pulsa **VIDEO/AUX**.

Repita el procedimiento para seleccionar uno de los nombres.

## CUIDADOS Y MANTENIMIENTO

El mantenimiento y el cuidado ocasional de la unidad y del software resultan necesarios para optimizar las prestaciones de su unidad.

### Para limpiar la caja

Utilice un paño blando y seco.

Si las superficies están muy sucias, utilice un paño blando humedecido un poco en una solución de detergente suave. No utilice disolventes fuertes tales como alcohol, bencina o diluyente porque éstos podrán estropear el acabado de la unidad.

### Para limpiar las cabezas magnetofónicas

Cuando las cabezas magnetofónicas estén sucias:

- el sonido de alta frecuencia no se emitirá
- el sonido no alcanzará la altura adecuada
- el sonido estará desequilibrado
- la cinta no podrá borrarse
- no podrá grabarse en la cinta

Después de cada 10 horas de utilización, limpie las cabezas magnetofónicas con un casete de limpieza de cabezas.

Consulte las instrucciones del casete de limpieza para conocer detalles.

### Para desmagnetizar las cabezas magnetofónicas

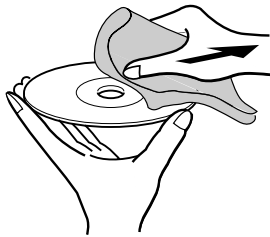
Las cabezas magnetofónicas puede magnetizarse después de utilizarlas durante mucho tiempo. Esto puede reducir la gama de salida de las cintas grabadas y aumentar el ruido.

Después de 20 a 30 horas de utilización, desmagnetice las cabezas magnetofónicas con un casete desmagnetizador vendido por separado.

Consulte las instrucciones del casete desmagnetizador para conocer más detalles.

### Cuidados de los discos

- Cuando se ensucie un disco, límpielo pasando un paño de limpieza desde el centro hacia afuera.



- Después de reproducir un disco, guárdelo en su caja. No deje los discos en lugares calientes o húmedos.

### Cuidados de las cintas

- Guarde las cintas en sus cajas después de utilizarlas.
- No deje las cintas cerca de imanes, motores, televisores o cualquier otra fuente de magnetismo. Esto reducirá la calidad del sonido y causará ruido.
- No esponga las cintas a la luz directa del sol, ni las deje en el interior de un automóvil estacionado bajo la luz directa del sol.

## GUIA PARA LA SOLUCION DE PROBLEMAS

Si la unidad no funciona como se describe en este manual de instrucciones, compruebe la guía siguiente:

### GENERALIDADES

#### No hay sonido

- ¿Está correctamente conectado el cable de alimentación de CA?
- ¿Hay alguna conexión mal hecha? (→ página 4)
- Puede haber un cortocircuito en los terminales de los altavoces.
  - Desconecte el cable de alimentación de CA y luego corrija las conexiones de los altavoces.
- ¿Se ha pulsado un botón de función equivocado?

#### Sólo sale sonido de un altavoz.

- ¿Está el otro altavoz desconectado?

#### Se produce una visualización errónea o un mal funcionamiento.

→ Vuelva a ajustar la unidad como se indica más abajo.

#### La unidad se apaga cuando se desconecta la alimentación.

- ¿Está el modo de ahorro de energía en "ECO ON" o "ECO AUTO"? (→ página 6)

#### La alimentación no se conecta.

→ Desconecte el cable de alimentación y vuelva a conectarlo después de pasar unos pocos segundos.

### SECCION DEL SINTONIZADOR

#### Hay un ruido de estática constante en forma de onda.

- ¿Está conectada correctamente la antena? (→ página 5)
- ¿Es débil la señal?
  - Conecte una antena exterior.

#### La recepción tiene interferencia o el sonido está distorsionado.

- ¿Capta el sistema ruidos externos o distorsión de múltiples trayectorias?
  - Cambie la orientación de la antena.
  - Separe la unidad de otros aparatos eléctricos.

### SECCION DE LA PLATINA

#### La cinta no se mueve.

- ¿Está la platina 2 en el modo de pausa? (→ página 11)

#### El sonido está desequilibrado o no alcanza la altura suficiente.

- ¿Está sucia la cabeza de reproducción? (→ página 22)

#### No es posible grabar.

- ¿Está rota la lengüeta de prevención contra borrado? (→ página 14)
- ¿Está sucia la cabeza de grabación? (→ página 22)

#### No es posible borrar.

- ¿Está sucia la cabeza de borrado? (→ página 22)
- ¿Está utilizándose una cinta de metal?

#### No se emite sonido de alta frecuencia.

- ¿Está sucia la cabeza de grabación/reproducción? (→ página 22)

### SECCION DEL REPRODUCTOR DE DISCOS COMPACTOS

#### El reproductor de discos compactos no puede reproducir.

- ¿Está bien puesto el disco? (→ página 12)
- ¿Está sucio el disco? (→ página 22)
- ¿Afecta la condensación a la lente?
  - Espere una hora aproximadamente y pruebe otra vez.

#### Para reajustar la unidad

Si se produce alguna condición extraña en el visualizador o en las platinas de casete, reajuste la unidad de la forma siguiente.

- 1 Pulse **POWER** para desconectar la alimentación.
- 2 Pulse **POWER** para volver a conectar la alimentación mientras pulsa **■ CLEAR**. Todo lo que haya sido almacenado en la memoria después de haber adquirido la unidad se borrará.

Si no puede desconectarse la alimentación en el paso 1 debido a algún mal funcionamiento, reajuste la unidad desconectando el cable de alimentación de CA y conectándolo de nuevo. Luego ejecute el paso 2.

# ESPECIFICACIONES

## Unidad principal CX-NAJ54

### Sección del sintonizador de FM

Gama de sintonización	87,5 MHz a 108 MHz
Sensibilidad útil (IHF)	13,2 dBf
Terminales de antena	75 ohmios (desequilibrada)

### Sección del sintonizador de AM

Gama de sintonización	530 kHz a 1710 kHz (pasos de 10 kHz) 531 kHz a 1602 kHz (pasos de 9 kHz)
Sensibilidad útil	350 $\mu$ V/m
Antena	Antena de cuadro

### Sección del amplificador

#### Amplificador de frecuencia media a alta

Potencia de salida	20 W + 20 W (200 Hz – 20 kHz, distorsión armónica total inferior al 1%, 8 ohmios)
Distorsión armónica total	0,1% (10 W, 1 kHz, 8 ohmios, DIN AUDIO)

#### Amplificador de baja frecuencia

Potencia de salida	60 W + 60 W (50 Hz – 200 Hz, distorsión armónica total inferior al 1%, 6 ohmios)
Distorsión armónica total	0,1% (30 W, 130 Hz, 6 ohmios, DIN AUDIO)

Entradas	VIDEO/AUX: 500 mV
Salidas	SPEAKERS HIGH FREQ: acepta altavoces de 8 ohmios o más SPEAKERS LOW FREQ: acepta altavoces de 6 ohmios o más SURROUND SPEAKERS: acepta altavoces de 8 ohmios a 16 ohmios PHONES (toma estéreo): acepta auriculares de 32 ohmios o más

### Sección de la platina de cassetes

Formato de pistas	4 pistas, 2 canales estéreo
Respuesta de frecuencia	50 Hz – 15000 Hz
Sistema de grabación	Polarización de CA
Cabezas	Platina 1: 1 cabeza de reproducción Platina 2: 1 cabeza de grabación/reproducción, 1 cabeza de borrado

### Ección del reproductor de discos compactos

Láser	Láser de semiconductor ( $\lambda = 780$ nm)
Convertidor D/A	1 bit doble
Relación señal a ruido	85 dB (1 kHz, 0 dB)
Distorsión armónica	0,05% (1 kHz, 0 dB)

### Generalidades

Alimentación	120 V CA, 60 Hz
Consumo	110 W
Consumo en el modo de espera	Si el modo de ahorro de energía es ECO OFF: 20 W Si el modo de ahorro de energía es ECO ON o ECO AUTO: 0,9 W
Dimensiones (An $\times$ Al $\times$ Prof)	260 $\times$ 326 $\times$ 346 mm
Peso	8,0 kg

## Sistema de altavoces SX-WNAJ53

Sistema de altavoces	3 vías, altavoz de subgraves incorporado (tipo de blindaje antimagnético)
Unidades de altavoces	Altavoz de subgraves: Tipo cónico de 160 mm Gama completa: Tipo cónico de 100 mm Altavoz para superagudos: Tipo cerámico de 20 mm
Impedancia	6 ohmios/8 ohmios
Sensibilidad	87 dB/W/m
Dimensiones (An $\times$ Al $\times$ Prof)	230 $\times$ 324 $\times$ 282 mm
Peso	4,8 kg

Las especificaciones están sujetas a cambios sin previo aviso.

### **BBE** SYSTEM

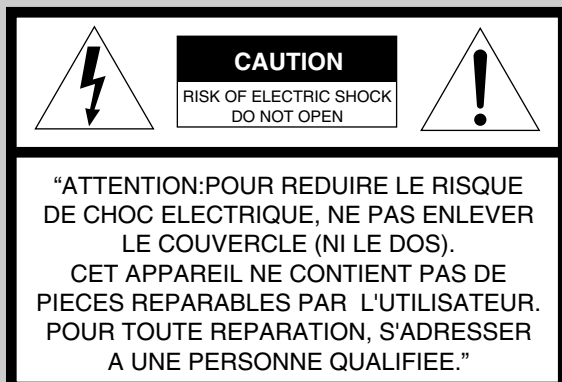
La sigla "BBE" y el símbolo "BBE" son marcas registradas de BBE Sound, Inc.  
Bajo licencia de BBE Sound, Inc.p

### COPYRIGHT (DERECHOS DE AUTOR)

Consulte las leyes del copyright, relacionadas con las grabaciones de discos, de la radio o de cintas, que se encuentran vigentes en el país en el que se utiliza la unidad.

**AVERTISSEMENT**

POUR REDUIRE LE RISQUE DE COURT-CIRCUIT OU DE CHOC ELECTRIQUE, NE PAS EXPOSER CET APPAREIL A LA PLUIE OU A L'HUMIDITE.

**Signification des symboles graphiques:**

L'éclair portant une flèche, situé dans un triangle équilatéral, sert à prévenir l'utilisateur de la présence d'une "tension dangereuse" non isolée à l'intérieur de l'appareil, assez élevée pour constituer un risque d'électrocution.




Le point d'exclamation situé dans un triangle équilatéral sert à prévenir l'utilisateur de la présence d'instructions importantes concernant l'utilisation et l'entretien (ou la réparation) de l'appareil dans le manuel qui accompagne ce dernier.

**PRECAUTIONS**

Lire le mode d'emploi attentivement et complètement avant d'utiliser l'appareil. Garder le mode d'emploi pour toute référence future. Tous les avertissements et toutes les précautions donnés dans le mode d'emploi et sur l'appareil doivent être suivis à la lettre, aussi bien que les suggestions de sécurité suivantes.

**Installation**

- 1 Eau et humidité** — Ne pas utiliser cet appareil près d'eau, comme près d'une baignoire, d'une cuvette, d'une piscine ou autre.
- 2 Chaleur** — Ne pas utiliser cet appareil près de sources de chaleur, comme sorties de chauffage, poêles ou autres appareils qui dégagent de la chaleur. L'appareil ne doit pas être soumis à des températures inférieures à 5°C ou supérieures à 35°C.
- 3 Surface d'utilisation** — Poser l'appareil sur une surface plate et lisse.
- 4 Ventilation** — L'appareil doit être positionné avec un espace suffisant autour afin d'assurer une dissipation adéquate de la chaleur. Laisser un espace de 10 cm derrière et dessus l'appareil, et un espace de 5 cm de chaque côté.
  - Ne pas mettre l'appareil sur un lit, un tapis ou sur une surface similaire qui pourrait obstruer les orifices de ventilation.
  - Ne pas mettre l'appareil dans une bibliothèque, un coffret ou un meuble complètement fermé où l'aération serait insuffisante.
- 5 Entrée d'objets et de liquide** — Faire attention à ce que aucun corps étranger ou liquide ne pénètre dans l'appareil pas les orifices de ventilation.
- 6 Chariot et support** — Si l'appareil est posé ou monté sur un support ou un chariot, déplacer ce dernier avec précaution. Les arrêts brusques, une force excessive et les surfaces inégales peuvent provoquer le renversement ou la chute de l'appareil et du chariot.
 
- 7 Condensation** — De la condensation peut se former sur la lentille du capteur du lecteur de disques compacts quand:
  - l'appareil est déplacé d'un endroit froid à un endroit chaud.
  - le chauffage vient juste d'être mis en marche.
  - l'appareil est utilisé dans une pièce très humide.
  - l'appareil est refroidi par un climatiseur.
 S'il y a de la condensation à l'intérieur de cet appareil, il risque de ne pas fonctionner correctement. Le cas échéant, laisser l'appareil pendant quelques heures, puis essayer de nouveau de l'utiliser.
- 8 Fixation à un mur ou un plafond** — L'appareil ne doit pas être fixé à un mur ou un plafond, à moins que ce ne soit spécifié dans le mode d'emploi.

**Energie électrique**

- 1 Alimentations électriques** — Brancher cet appareil uniquement aux alimentations électriques spécifiées dans le mode d'emploi, et comme indiqué sur l'appareil.
- 2 Polarisation** — Comme mesure de sécurité, certains appareils sont munis de fiches polarisées d'alimentation secteur qui ne peuvent être introduites que dans un sens dans une prise de courant. S'il est difficile ou impossible d'insérer la fiche d'alimentation secteur dans une prise, retourner la fiche et essayer de nouveau. Si l'on ne peut toujours pas insérer la fiche dans la prise, s'adresser à un électricien qualifié pour faire réparer ou changer la prise. Afin de ne pas annuler la sécurité de la fiche polarisée, ne pas insérer cette fiche en force dans une prise.

### 3 Cordon d'alimentation secteur

- Pour débrancher le cordon d'alimentation secteur, le tirer par sa fiche. Ne pas tirer sur le cordon proprement dit.
- Ne jamais tenir la fiche d'alimentation secteur avec les mains mouillées, cela pourrait se traduire par un court-circuit ou un choc électrique.
- Les cordons d'alimentation doivent être installés de manière à ne pas être pliés, pincés ou piétinés. Faire particulièrement attention au cordon allant de l'appareil à la prise de courant.
- Eviter de surcharger les prises d'alimentation et les rallonges au-delà de leur capacité, cela pourrait se traduire par un incendie ou un choc électrique.

**4 Rallonge** — Afin d'éviter tout choc électrique, ne pas utiliser une fiche polarisée d'alimentation secteur avec une rallonge ou une prise si cette fiche ne peut pas être insérée complètement de manière que ses lames ne soient pas exposées.

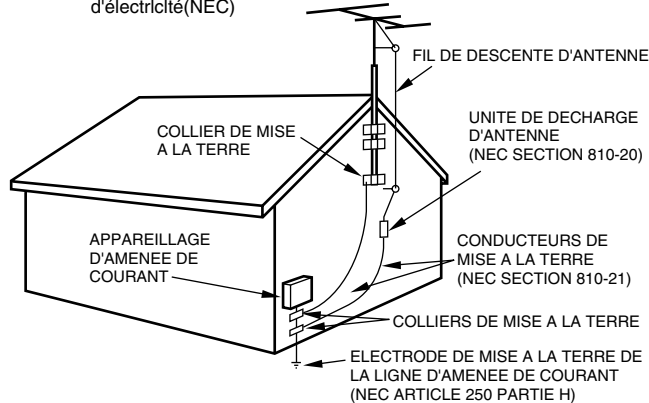
**5 Périodes de non-utilisation** — Débrancher le cordon d'alimentation secteur de la prise de courant si l'appareil ne doit pas être utilisé pendant plusieurs mois ou plus. Quand le cordon est branché, un courant de faible intensité continue de circuler dans l'appareil même si l'alimentation est coupée.

### Antenne extérieure

**1 Lignes d'amenée de courant** — Quand on branche une antenne extérieure, s'assurer qu'elle est située à l'écart de toute ligne d'amenée de courant.

**2 Mise de l'antenne extérieure à la terre** — Afin d'assurer une protection contre toute impulsion de tension et contre toute accumulation d'électricité statique, s'assurer que l'antenne est correctement mise à la terre. L'article 810 du code national d'électricité (NEC), ANSI/NFPA 70, fournit des informations au sujet de la mise à la terre du mât, de la structure de support et du conducteur arrivant à l'unité de décharge d'antenne et au sujet des dimensions des conducteurs de mise à la terre, de la connexion aux électrodes de mise à la terre et des exigences concernant ces électrodes.

Mise à la terre d'une antenne selon le code national d'électricité (NEC)



NEC: CODE NATIONAL D'ELECTRICITE

### Entretien

Nettoyer l'appareil uniquement comme recommandé dans le mode d'emploi.

### Domage nécessitant une réparation

S'adresser à un technicien qualifié pour faire réparer l'appareil si:

- Le cordon ou la fiche d'alimentation secteur de l'appareil est endommagé
  - Tout corps étranger ou liquide est entré dans l'appareil
  - L'appareil a été exposé à la pluie ou à de l'eau
  - L'appareil ne semble pas fonctionner normalement
  - L'appareil présente un changement notable de performances
  - L'appareil a subi un choc, ou son coffret a été endommagé
- N'ESSAYEZ PAS DE REPARER L'APPAREIL VOUS-MEME.**

## TABLE DES MATIERES

PRECAUTIONS ..... 2

### PREPARATIONS

CONNEXIONS ..... 4  
TELECOMMANDE ..... 6  
AVANT L'UTILISATION ..... 6  
REGLAGE DE L'HORLOGE ..... 7

### SON

REGLAGES AUDIO ..... 8  
EGALISEUR GRAPHIQUE ..... 8

### RECEPTION RADIO

ACCORD MANUEL ..... 9  
MEMORISATION DE STATIONS ..... 10

### LECTURE DE CASSETTES

OPERATIONS DE BASE ..... 11

### LECTURE DE DISQUES COMPACTS

OPERATIONS DE BASE ..... 12  
LECTURE PROGRAMMEE ..... 13

### ENREGISTREMENT

ENREGISTREMENT DE BASE ..... 14  
DUPLICATION MANUELLE D'UNE CASSETTE ..... 15  
DUPLICATION DE LA TOTALITE D'UNE CASSETTE ... 15  
ENREGISTREMENT AVEC MONTAGE ET CALCUL  
DU TEMPS ..... 16  
ENREGISTREMENT AVEC MONTAGE  
PROGRAMME ..... 17

### MINUTERIE

REGLAGE DE LA MINUTERIE D'ARRET ..... 18  
REGLAGE DE LA MINUTERIE ..... 18

### AUTRES CARACTERISTIQUES

DEMO (Démonstration) ..... 20

### AUTRES CONNEXIONS

CONNEXION D'UN APPAREIL OPTIONNEL ..... 21  
ECOUTE DE SOURCES EXTERNES ..... 21

### GENERALITES

SOINS ET ENTRETIEN ..... 22  
EN CAS DE PROBLEME ..... 22  
SPECIFICATIONS ..... 23

NOMENCLATURE ..... *Couverture du dos*

### Contrôler la chaîne et les accessoires.

#### NSX-AJ54

CX-NAJ54 Récepteur magnétocassette lecteur de disques compacts stéréo  
SX-WNAJ53 Enceintes avant

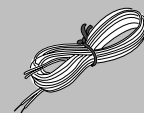
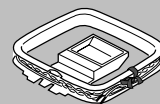
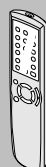
#### NSX-AJ55

CX-NAJ54 Récepteur magnétocassette lecteur de disques compacts stéréo  
SX-WNAJ53 Enceintes avant  
SX-R275 Enceintes surround

Télécommande

Antenne AM

Antenne FM





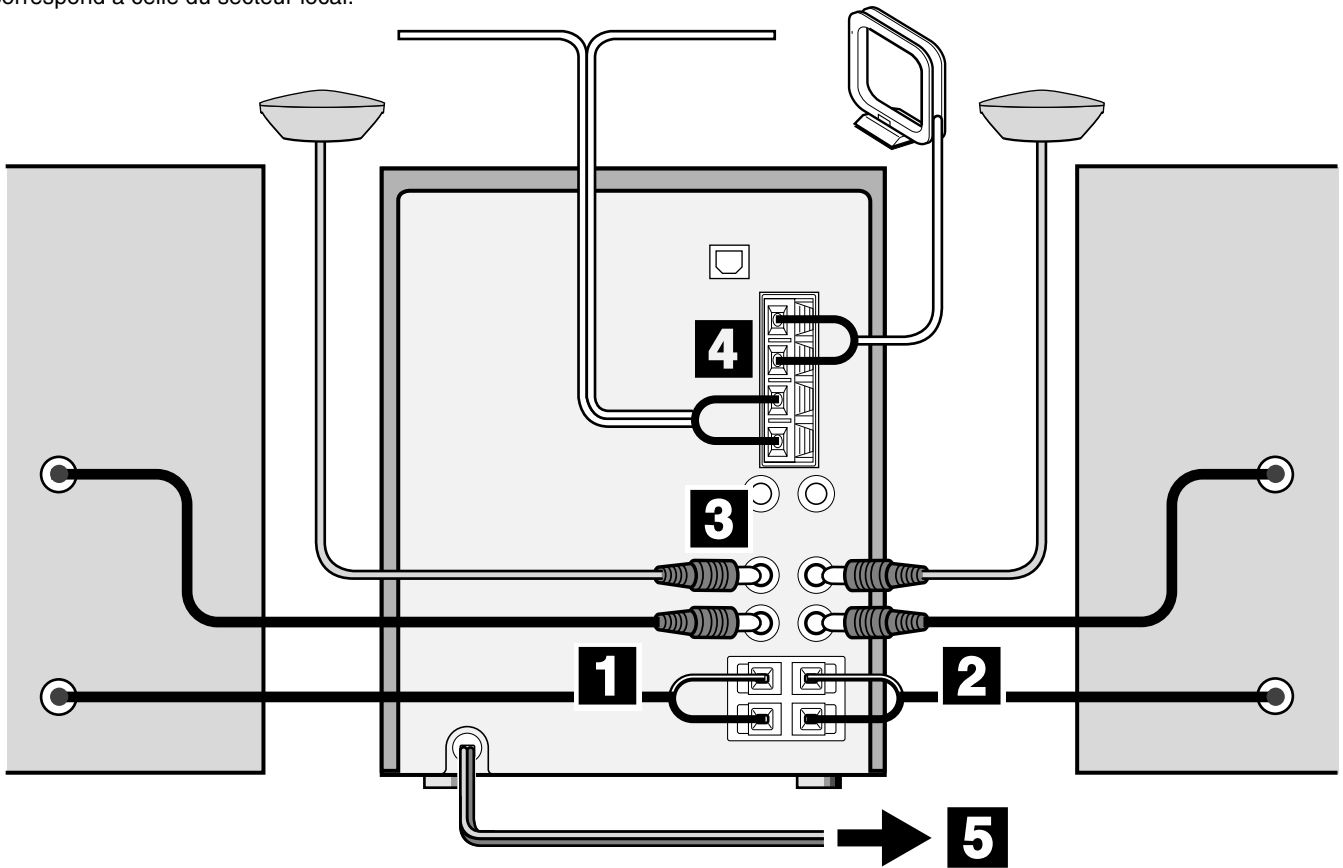
# CONNEXIONS

## Avant de brancher le cordon secteur

La tension nominale d'alimentation de l'appareil, indiquée au dos de ce dernier, est de 120 V. S'assurer que cette tension nominale correspond à celle du secteur local.

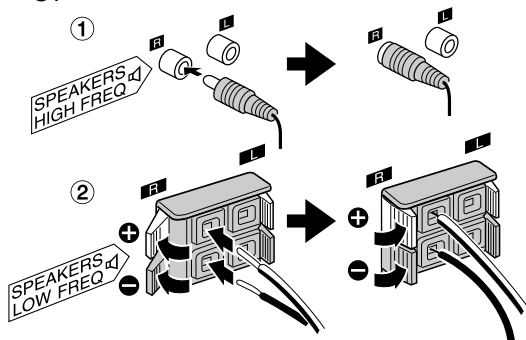
## IMPORTANT

Commencer par connecter les enceintes, les antennes et tout appareil optionnel. Brancher le cordon secteur en dernier.



### 1 Connecter l'enceinte droite à l'appareil principal.

- ① Connecter le cordon d'enceinte muni d'une fiche à la borne **SPEAKERS HIGH FREQ R**.
- ② Connecter le cordon d'enceinte rayé de blanc à la borne **SPEAKERS LOW FREQ R**  $\oplus$  et le cordon noir à la borne  $\ominus$ .

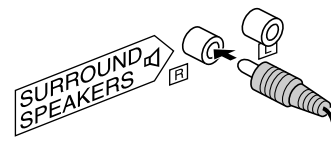


### 2 Connecter l'enceinte gauche à l'appareil principal.

Connecter le cordon d'enceinte muni d'une fiche à la borne **SPEAKERS HIGH FREQ L** et l'autre cordon d'enceinte aux bornes **SPEAKERS LOW FREQ L** de la même manière qu'à l'étape 1.

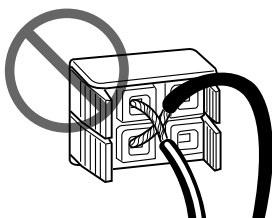
### 3 Connecter les enceintes surround à l'appareil principal. (Pour NSX-AJ55 seulement)

Connecter le cordon de chaque enceinte surround à la borne **SURROUND SPEAKERS R** ou **L**.



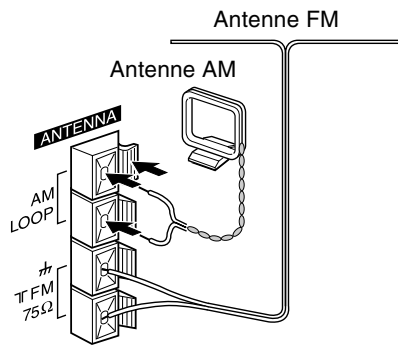
## REMARQUE

- Veiller à connecter les cordons d'enceinte correctement. Des connexions incorrectes peuvent provoquer des courts-circuits dans les bornes **SPEAKERS**.



#### 4 Connecter les antennes fournies.

Connecter l'antenne FM aux bornes **FM 75 Ω** et l'antenne AM aux bornes **AM LOOP**.



#### 5 Brancher le cordon secteur à une prise de courant.

Le mode DEMO démarre la première fois que l'on branche le cordon secteur à une prise de courant. Pour désactiver le mode DEMO, régler l'horloge.

#### REMARQUE

- Ne pas laisser d'objets produisant un champ magnétique, tels que des cartes de crédit, près des enceintes; ils pourraient être endommagés.
- Ne pas mettre l'antenne FM près d'objets métalliques ou de tringles à rideaux.
- Ne pas mettre l'antenne AM près d'un appareil optionnel, de la chaîne stéréo proprement dite, du cordon secteur ou des cordons d'enceinte; elle capterait des parasites.
- Ne pas dérouler le fil de l'antenne AM.

#### Pour positionner les antennes

##### Antenne FM intérieure:

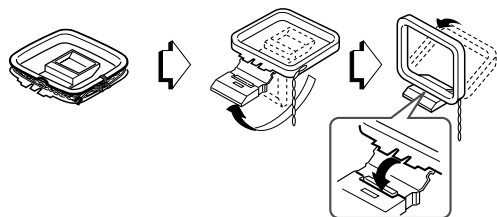
Déployer cette antenne horizontalement selon la forme d'un T et fixer ses extrémités à un mur.

##### Antenne AM:

Positionner et orienter cette antenne de manière à obtenir la meilleure réception possible.

#### Pour poser l'antenne AM sur une surface

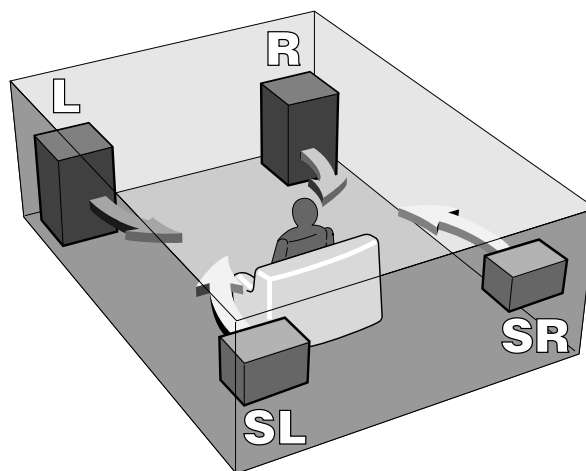
Fixer la griffe dans la rainure.



### POSITIONNEMENT DES ENCEINTES (Pour NSX-AJ55 seulement)

Positionner les enceintes pour tirer le meilleur parti de l'effet des enceintes surround.

#### Positionnement standard



**R: Enceinte avant (gauche)**

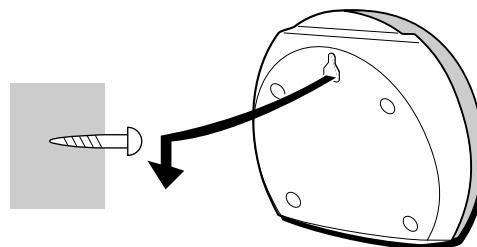
**L: Enceinte avant (droite)**

**SL & SR: Enceinte surround**

Mettez les enceintes surround derrière la zone d'écoute.

#### Pour fixer les enceintes surround à un mur

Fixer chaque enceinte à un endroit qui peut supporter son poids.

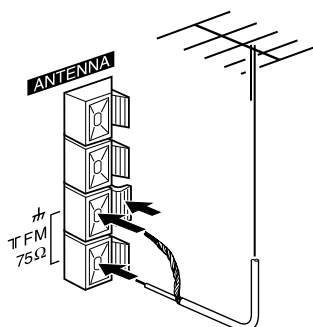


F

### CONNEXION D'UNE ANTENNE EXTERIEURE

Pour obtenir une meilleure réception FM, il est recommandé d'utiliser une antenne FM extérieure.

Connecter l'antenne extérieure aux bornes **FM 75 Ω**.

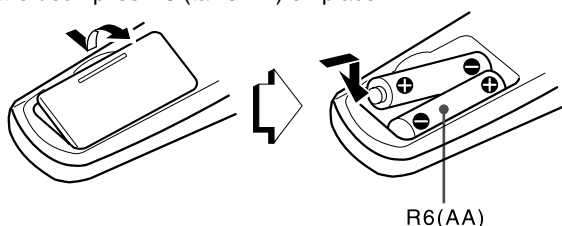


Pour connecter un autre appareil optionnel → page 21.

## TELECOMMANDE

### Mise en place des piles

Enlever le couvercle des piles du dos de la télécommande et mettre deux piles R6 (taille AA) en place.



### Quand remplacer les piles

La distance maximale de fonctionnement entre la télécommande et le capteur situé sur l'appareil principal doit être d'environ cinq mètres. Lorsque cette distance diminue, remplacer les piles par des neuves.

### Pour utiliser SHIFT de la télécommande

Les touches ① ont deux fonctions différentes. Une de ces fonctions est indiquée sur la touche, et l'autre sur la plaque se trouvant au-dessus de la touche.

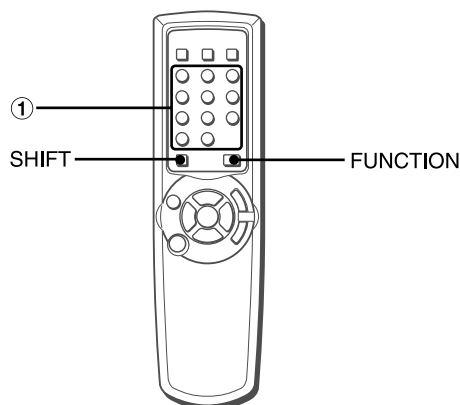
Pour utiliser la fonction indiquée sur la touche, il suffit d'appuyer sur cette dernière.

Pour utiliser la fonction indiquée sur la plaque se trouvant au-dessus de la touche, appuyer sur cette dernière tout en appuyant sur **SHIFT**.

### Pour utiliser FUNCTION de la télécommande

**FUNCTION** remplace les touches de fonction (**TAPE DECK 1/2**, **TUNER BAND**, **VIDEO/AUX**, **CD**) de l'appareil principal.

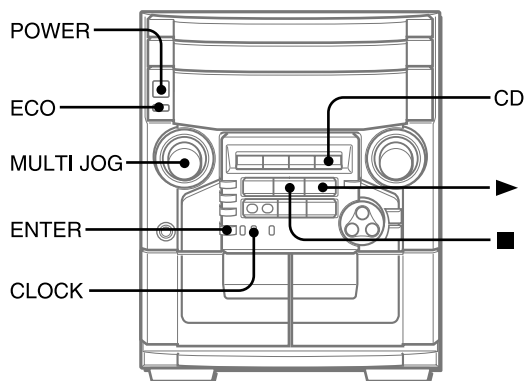
A chaque pression sur **FUNCTION**, la fonction suivante est sélectionnée de façon cyclique. Quand il y a une cassette dans chacune des deux platines, chaque platine sélectionnée avec **FUNCTION**.



### REMARQUE

- Si la télécommande ne doit pas être utilisée pendant longtemps, enlever les piles pour éviter tout risque de fuite d'électrolyte.
- La télécommande risque de ne pas fonctionner correctement quand:
  - l'espace entre la télécommande et le capteur situé sur la fenêtre d'affichage est exposé à une lumière intense, comme le soleil.
  - d'autres télécommandes (téléviseur, etc.) sont utilisées à proximité.

## AVANT L'UTILISATION



### Pour mettre sous tension

Appuyer sur une des touches de fonction (**TAPE**, **TUNER**, **VIDEO/AUX**, **CD**). La lecture du disque compact ou de la cassette en place commence, ou la station écoutée en dernier est reçue (fonction de lecture directe).

On peut aussi appuyer sur **POWER**.

### REMARQUE

Lors de la mise sous tension, le compartiment à disques peut s'ouvrir et se fermer pour réinitialiser l'appareil.

### Pour mettre hors tension

Appuyer sur **POWER**.

## DEMO (Démonstration)

La première fois que le cordon secteur est branché à une prise de courant après l'achat, le mode DEMO démarre sur l'affichage. Quand on met l'appareil sous tension, le mode DEMO s'arrête. Quand on met l'appareil hors tension, le mode DEMO redémarre. Une fois que l'horloge est réglée, le mode DEMO ne démarre pas quand l'appareil est mis hors tension.

### Pour désactiver ou activer le mode DEMO

Appuyer sur **CLOCK** et l'horloge sera affichée à la place du mode DEMO.

Appuyer sur ► pour activer.

(Pour plus de détails au sujet du mode DEMO, voir page 20.)

## MISE EN SERVICE DU MODE ECONOMIE D'ENERGIE

Quand on règle le mode économie d'énergie sur "ECO ON" ou "ECO AUTO", l'appareil diminue sa consommation électrique en effectuant les quatre opérations **ECO** décrites ci-dessous.

### ECO ON

- L'appareil (tout l'éclairage de l'affichage et des touches) s'éteint quand l'alimentation est coupée. Seul le témoin rouge s'allume.
- Si **DIMMER** (1 - 3) est sélectionné, l'éclairage de l'affichage et des touches s'allume pendant dix secondes seulement quand on appuie sur une touche ou quand on tourne **VOLUME** ou **MULTI JOG**.
- Le mode de luminosité de l'affichage est réglé sur le niveau minimal, l'éclairage des touches s'éteint et le volume est réglé sur le minimum (0) quand l'appareil se met sous tension du fait de l'enregistrement commandé par minuterie.

### ECO AUTO

- En plus des trois opérations de ECO ON, l'appareil se met automatiquement hors tension si on ne l'utilise pas et si la source sonore est muette pendant dix minutes.

### ECO OFF

Le mode économie d'énergie ne fonctionne pas.

- 1 Appuyer sur **ECO**.  
"ECO MODE" est affiché.



- 2 Appuyer sur **ENTER** dans les quatre secondes.  
Le statut courant du mode économie d'énergie est affiché.

- 3 Tourner **MULTI JOG** dans les quatre secondes pour sélectionner un des modes d'économie d'énergie.

Exemple: Quand "ECO ON" est sélectionné



- 4 Appuyer sur **ENTER** dans les quatre secondes.

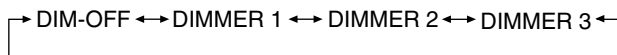
**REMARQUE**

Si l'horloge n'est pas réglée, l'appareil ne s'éteint pas. Au lieu de cela, le mode DEMO démarre quand l'alimentation est coupée.

## MODE VARIATEUR

Pour changer la luminosité de l'affichage

- 1 Appuyer sur **ECO** à plusieurs reprises jusqu'à ce que "DIM MODE" soit affiché.
- 2 Dans les quatre secondes, appuyer sur **ENTER**.
- 3 Dans les quatre secondes, tourner **MULTI JOG** pour sélectionner un des modes de luminosité changés de manière cyclique comme indiqué plus bas.
- 4 Dans les quatre secondes, appuyer sur **ENTER**.



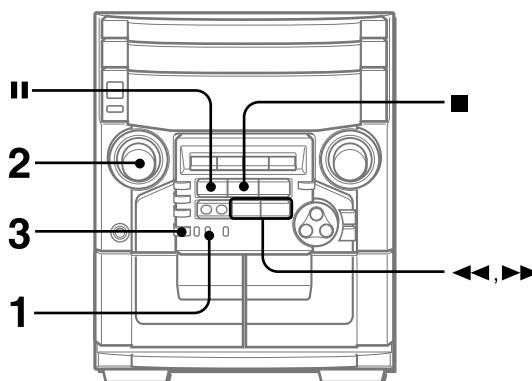
Le mode "DIM-OFF" donne la luminosité maximale et le mode "DIMMER 3" donne la luminosité minimale. En mode "DIMMER 3", l'analyseur de spectre, la fenêtre du sommet de l'appareil et l'éclairage des touches s'éteignent.

## FENETRE CLIGNOTANTE

La fenêtre située au sommet de l'appareil s'allume ou clignote quand l'appareil est sous tension.

Pour éteindre l'éclairage de la fenêtre supérieure, appuyer sur ■ tout en appuyant sur **CD**. Pour rallumer l'éclairage, répéter cette opération.

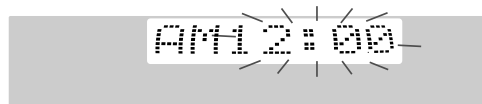
## REGLAGE DE L'HORLOGE



- 1 Appuyer sur **CLOCK**.

Quand on utilise la télécommande, appuyer sur **CLOCK** tout en appuyant sur **SHIFT**.

L'horloge est affichée. (Le signe ":" entre les heures et les minutes clignote.)



- 2 Dans les quatre secondes, tourner **MULTI JOG** pour spécifier les heures et les minutes.

La rotation de **MULTI JOG** change à la fois les heures et les minutes.

On peut aussi utiliser ◀◀ ou ▶▶ au lieu de **MULTI JOG**. Le fait de tenir ces touches enfoncées fait varier l'heure rapidement.

- 3 Appuyer sur **ENTER** ou ||.

L'horloge démarre à 00 seconde.

### Pour rétablir un réglage initial de l'horloge

Pour rétablir le réglage initial de l'horloge, appuyer sur **CLOCK** avant de terminer l'étape 3. Ceci annule tout nouveau réglage.

### Pour faire apparaître l'horloge quand un autre affichage est en service

Appuyer sur **CLOCK**. L'heure est affichée pendant quatre secondes puis l'affichage initial réapparaît. Toutefois, l'heure ne peut pas être affichée pendant l'enregistrement.

### Pour passer au format de 24 heures

Appuyer sur **CLOCK** puis appuyer sur ■ dans les quatre secondes.

Pour rétablir le format de 12 heures, procéder de la même manière.

Dans le format de 12 heures, "AM 12:00" signifie minuit et "PM 12:00" signifie midi.

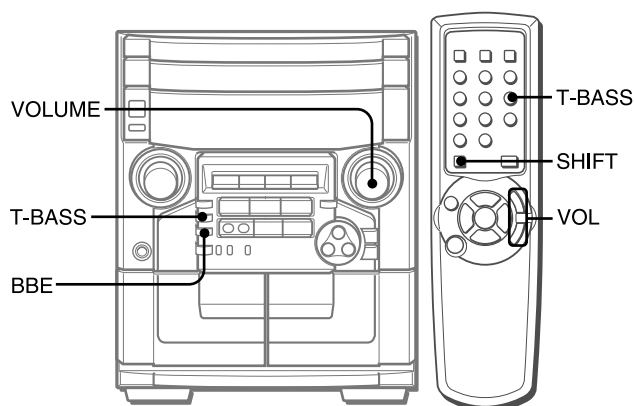
### Si l'affichage de l'horloge clignote

Si l'affichage de l'horloge clignote, cela signifie que l'horloge s'est arrêtée du fait d'une interruption d'alimentation ou du fait que le cordon secteur a été débranché. L'heure courante doit être réglée de nouveau.

**REMARQUE**

Si le mode économie d'énergie (page 6) est en service, l'appareil s'éteint quand l'alimentation est coupée. Pour faire apparaître l'horloge, appuyer sur **CLOCK**; l'heure est alors affichée pendant quatre secondes.

## REGLAGES AUDIO



### VOLUME

Tourner **VOLUME** de l'appareil principal, ou appuyer sur **VOL** de la télécommande.

Le niveau du volume est affiché sous la forme d'un numéro de 0 à MAX (31).

Quand on met l'appareil hors tension alors que le niveau du volume est réglé sur 17 ou plus, ce niveau est automatiquement réglé sur 16.

### SYSTEME BBE

Le système BBE augmente la clarté du son aux fréquences élevées.

**Appuyer sur BBE.**

A chaque pression sur cette touche, le niveau change. Sélectionner un des trois niveaux ou la position de repos, comme on préfère.



### SYSTEME SUPER T-BASS

Le système T-BASS augmente le réalisme du son aux basses fréquences.

**Appuyer sur T-BASS.**

A chaque pression sur la touche, le niveau change. Sélectionner un des trois niveaux ou la position de repos, comme on préfère.



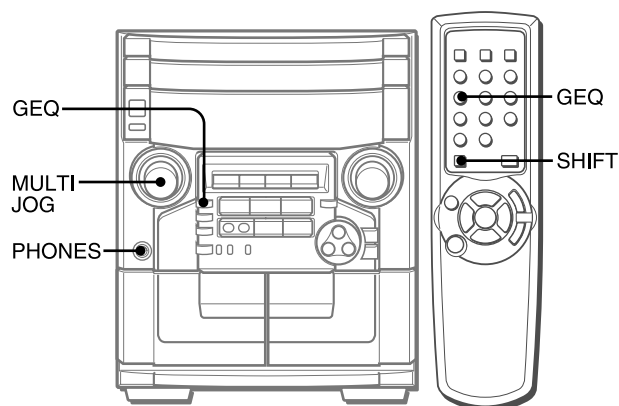
**Pour sélectionner avec la télécommande.**

Appuyer sur **T-BASS** tout en appuyant sur **SHIFT**.

#### REMARQUE

- Lors de la lecture d'une cassette enregistrée avec BBE, il est conseillé de mettre le système BBE hors service pour éviter une distorsion du son aux fréquences élevées.
- Le son aux basses fréquences risque d'être déformé quand le système T-BASS est utilisé pour un disque ou une cassette dont le son aux basses fréquences est accentué d'origine. Dans ce cas, annuler le système T-BASS.

## EGALISEUR GRAPHIQUE



Cet appareil possède les cinq courbes d'égalisation différentes suivantes.

**ROCK:** Son puissant accentuant les aigus et les graves.

**POP:** Présence accrue des parties vocales et de la gamme moyenne.

**LATIN:** Fréquences élevées accentuées pour la musique latine.

**CLASSIC:** Son enrichi par des graves puissants et des aigus fins.

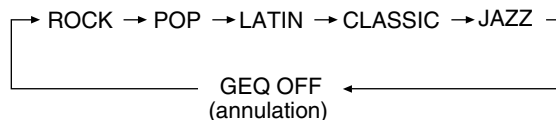
**JAZZ:** Fréquences basses accentuées pour la musique de type jazz.

**Appuyer sur GEQ à plusieurs reprises, ou appuyer une fois sur GEQ et tourner MULTI JOG dans les quatre secondes, pour sélectionner une des courbes d'égalisation.**

GRAPHIC EQUALIZER



"GRAPHIC EQUALIZER" apparaît et le mode d'égalisation graphique est affiché de manière cyclique comme suit.



\* Avec **MULTI JOG**, le mode d'égalisation graphique peut être affiché dans l'ordre inverse.

**Pour afficher le mode d'égalisation graphique courant**

Appuyer sur **GEQ**. Le mode courant est affiché pendant quatre secondes.

**Pour annuler le mode sélectionné**

Appuyer sur **GEQ** à plusieurs reprises, ou appuyer une fois sur **GEQ** et tourner **MULTI JOG** dans les quatre secondes, pour sélectionner "GEQ OFF". "GRAPHIC EQUALISER" disparaît.

**Pour sélectionner avec la télécommande**

Appuyer sur **GEQ** à plusieurs reprises tout en appuyant sur **SHIFT**. Le mode d'égalisation graphique est affiché de manière cyclique comme indiqué plus haut.

**Utilisation d'un casque**

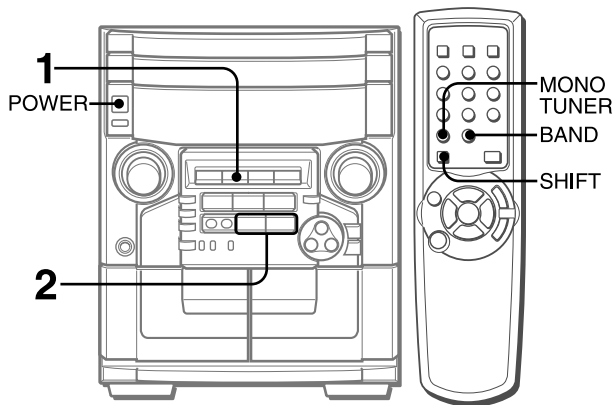
Brancher un casque muni d'une fiche stéréo standard (ø 6,3 mm) à la prise **PHONES**.

Quand un casque est branché, aucun son ne sort par les enceintes.

**Réglage du son pendant l'enregistrement**

On peut faire varier librement le volume de sortie et la tonalité (BBE exceptés) des enceintes ou du casque sans affecter l'enregistrement.

# ACCORD MANUEL



**1 Appuyer sur TUNER BAND à plusieurs reprises pour sélectionner la gamme souhaitée.**



Quand on appuie sur **TUNER BAND** alors que l'alimentation est coupée, l'appareil est mis sous tension directement.

**Pour sélectionner une gamme avec la télécommande**

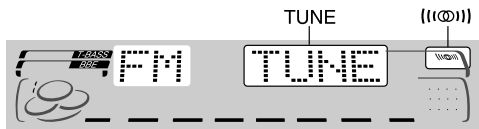
Appuyer sur **BAND** tout en appuyant sur **SHIFT**.

**2 Appuyer sur ◀◀ DOWN ou ▶▶ UP pour sélectionner une station.**

A chaque pression sur la touche, la fréquence change.

Quand une station est reçue, "TUNE" est affiché pendant deux secondes.

Pendant la réception FM stéréo, ((Ⓜ)) est affiché.



**Pour rechercher une station rapidement (Recherche automatique)**

Tenir **◀◀ DOWN** ou **▶▶ UP** enfoncée jusqu'à ce que la fréquence commence à changer rapidement. Après l'accord sur une station, la recherche s'arrête. Pour arrêter la recherche automatique manuellement, appuyer sur **◀◀ DOWN** ou **▶▶ UP**.

- La recherche automatique risque de ne pas s'arrêter aux stations dont les signaux sont très faibles.

**Quand une émission FM stéréo contient des parasites**

Appuyer sur **MONO TUNER** tout en appuyant sur **SHIFT** de la télécommande de manière que "MONO" apparaisse sur l'affichage.

Les parasites sont réduits, mais la réception est monophonique. Pour rétablir la réception stéréophonique, répéter l'opération ci-dessus de manière que "MONO" disparaisse.

**Pour changer l'intervalle d'accord AM**

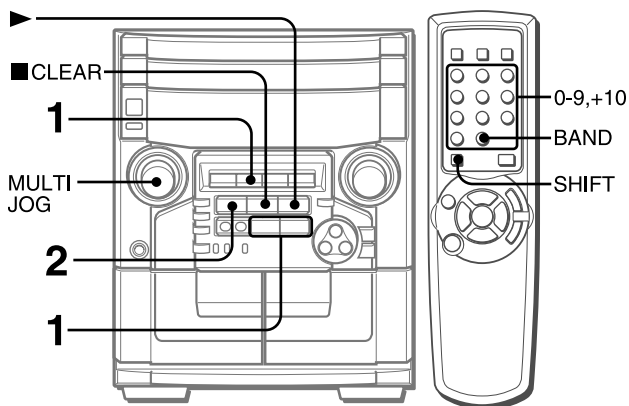
Le réglage par défaut de l'intervalle d'accord AM est de 10 kHz par pas. Si on utilise cet appareil dans une région où le système d'allocation de fréquences est de 9 kHz par pas, changer l'intervalle d'accord.

Appuyer sur **POWER** tout en appuyant sur **TUNER BAND**. Pour rétablir l'intervalle initial, procéder de la même façon.

**REMARQUE**

Quand on change l'intervalle d'accord AM, toutes les stations mémorisées sont supprimées. Une nouvelle mémorisation est alors nécessaire.

## MEMORISATION DE STATIONS

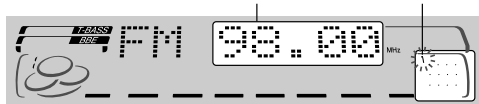


L'appareil peut mémoriser un total de 32 stations. Quand une station est mémorisée, un numéro de préréglage lui est affecté. Pour accorder directement l'appareil sur une station mémorisée, utiliser le numéro de préréglage correspondant.

**1 Appuyer sur TUNER BAND pour sélectionner une gamme, puis appuyer sur ◀◀ DOWN ou ▶▶ UP pour sélectionner une station.**

**2 Appuyer sur || SET pour mémoriser la station.**  
Un numéro de préréglage est affecté à la station, à partir de 1 dans l'ordre consécutif pour chaque gamme.

Fréquences    Numéro de préréglage



**3 Répéter les étapes 1 et 2.**

Le station suivante ne sera pas mémorisée si un total de 32 stations ont déjà été mémorisées pour toutes les gammes.

### REMARQUE

“FULL” est affiché si on tente de mémoriser plus de 32 stations.

## ACCORD PAR NUMERO DE PREREGLAGE

Utiliser la télécommande pour sélectionner le numéro de préréglage directement.

**1 Appuyer sur BAND tout en appuyant sur SHIFT pour sélectionner une gamme.**

**2 Utiliser les touches numériques 0-9 et +10 pour sélectionner un numéro de préréglage.**

Exemple:

Pour sélectionner le numéro de préréglage 20, appuyer sur +10, +10 et 0.

Pour sélectionner le numéro de préréglage 15, appuyer sur +10 et 5.

**Sélection d'un numéro de préréglage sur l'appareil principal**

Appuyer sur **TUNER BAND** pour sélectionner une gamme. Ensuite, appuyer sur ▶ à plusieurs reprises ou tourner **MULTI JOG**.

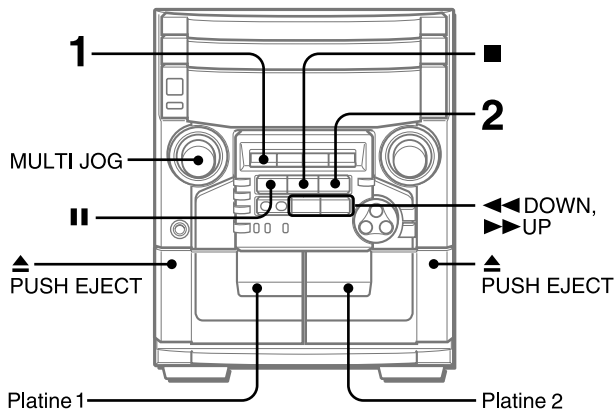
A chaque pression sur ▶, le numéro supérieur suivant est sélectionné.

**Pour supprimer une station mémorisée**

Sélectionner le numéro de préréglage de la station à supprimer. Ensuite, appuyer sur ■ **CLEAR**, puis appuyer sur || **SET** dans les quatre secondes.

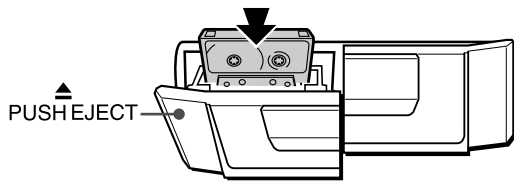
Les numéros de préréglage supérieurs de toutes les autres stations de la gamme sont diminués d'une unité.

**OPERATIONS DE BASE**



Cet appareil est conçu pour une lecture de qualité optimale de cassettes de type I (normales).

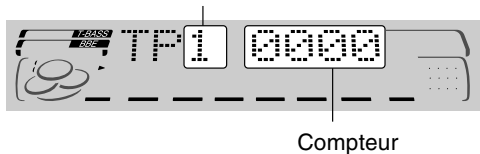
**1 Appuyer sur TAPE puis appuyer sur ▲ PUSH EJECT pour ouvrir le porte-cassette.**



Insérer une cassette avec le côté exposé du ruban magnétique en bas. Pousser le porte-cassette pour le fermer.

**2 Appuyer sur ► pour démarrer la lecture.**  
Seule la face orientée vers l'extérieur de l'appareil peut être lue.

Numéro de la platine sélectionnée



**Pour sélectionner une platine de lecture**  
Quand il y a des cassettes en place dans les deux platines, appuyer d'abord sur **TAPE** pour sélectionner une platine. Le numéro de la platine sélectionnée est affiché.

**Pour arrêter la lecture**, appuyer sur ■.  
**Pour mettre la lecture en pause (platine 2 seulement)**, appuyer sur ■■. Pour reprendre la lecture, appuyer de nouveau sur cette touche.  
**Pour obtenir une avance rapide ou un rembobinage**, appuyer sur ◀◀ ou ▶▶. Ensuite, appuyer sur ■ pour arrêter le défilement.

**Pour démarrer la lecture quand l'alimentation est coupée (fonction de lecture directe)**  
Appuyer sur **TAPE**. L'appareil est mis sous tension et la lecture de la cassette en place commence.

**Pour mettre le compteur à 0000**  
Appuyer sur ■ **CLEAR** dans le mode arrêt. Le compteur est aussi mis à 0000 quand on ouvre le porte-cassette.

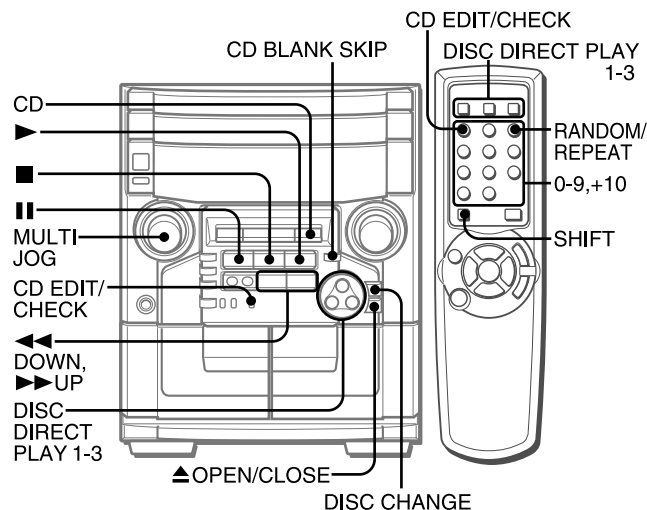
**Quand il y a des cassettes en place dans les deux platines**  
Une fois que la lecture sur la platine 1 est terminée, la lecture de la cassette en place dans la platine 2 démarre sans interruption et s'arrête à la fin de la cassette. (Lecture continue)

**REMARQUE**

Les cassettes de type II (à haute polarisation) peuvent aussi être lues dans cet appareil. Pour lire une cassette de type II, tourner **MULTI JOG** de manière que "SOFT" soit affiché. Ceci sélectionne le son de lecture optimal pour cassette de type II. Toutefois, la lecture de type "SOFT" est annulée si un mode d'égalisation graphique est sélectionné (voir page 8), si l'appareil est réglé sur une source audio différente, si on ouvre le porte-cassette, ou si l'alimentation est coupée.



## OPERATIONS DE BASE



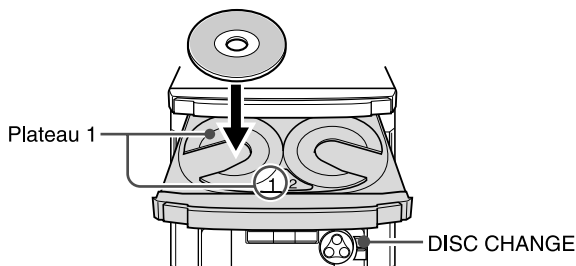
## MISE EN PLACE DE DISQUES

Appuyer sur **CD**, puis appuyer sur **▲ OPEN/CLOSE** pour ouvrir le compartiment à disques. Mettre le(s) disque(s) en place avec le côté portant l'étiquette en haut.

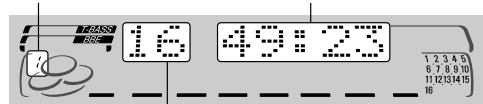
Pour lire un ou deux disques, mettre les disques sur les plateaux 1 et 2.

Pour lire trois disques, appuyer sur **DISC CHANGE** pour faire tourner les plateaux après avoir mis deux disques en place. Mettre le troisième disque sur le plateau 3.

Fermer le compartiment à disques en appuyant sur **▲ OPEN/CLOSE**.



Numéro de plateau du disque à lire      Temps de lecture total



Nombre total de plages

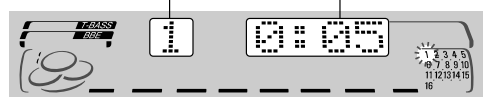
## LECTURE DE DISQUES

Mettre des disques en place.

Pour lire tous les disques situés dans le compartiment, appuyer sur **▶**.

La lecture commence par le disque du plateau 1.

Numéro de la plage en cours de lecture      Temps de lecture écoulé



Pour lire un disque seulement, appuyer sur une des touches **DISC DIRECT PLAY 1-3**.

Le disque sélectionné est lu une fois.

Pour arrêter la lecture, appuyer sur **■**.

Pour mettre la lecture en pause, appuyer sur **||**. Pour reprendre la lecture, appuyer de nouveau sur cette touche.

Pour rechercher un point particulier pendant la lecture, tenir **◀◀** ou **▶▶** enfoncée jusqu'à ce que le point souhaité soit atteint.

Pour sauter au début d'une plage pendant la lecture, appuyer sur **◀◀** ou **▶▶** à plusieurs reprises ou tourner **MULTI JOG**.

Pour enlever des disques, appuyer sur **▲ OPEN/CLOSE**.

Pour démarrer la lecture quand l'alimentation est coupée (fonction de lecture directe)

Appuyer sur **CD**. L'appareil est mis sous tension et la lecture du (des) disque(s) en place commence.

Quand on appuie sur **▲ OPEN/CLOSE**, l'appareil est aussi mis sous tension et le compartiment à disques s'ouvre.

Pour vérifier le temps restant

Pendant la lecture (excepté la lecture aléatoire ou la lecture programmée), appuyer sur **CD EDIT/CHECK**. Le temps restant jusqu'à ce que toutes les plages soient lues est affiché. Pour rétablir l'affichage du temps de lecture, procéder de la même façon.

Quand on utilise la télécommande, appuyer sur **CD EDIT/CHECK** tout en appuyant sur **SHIFT**.

Sélection d'une plage avec la télécommande

1 Appuyer sur une des touches **DISC DIRECT PLAY 1-3** pour sélectionner un disque.

2 Utiliser les touches numériques **0-9** et **+10** pour sélectionner une plage.

Exemple:

Pour sélectionner la vingt-cinquième plage, appuyer sur **+10**, **+10** et **5**.

Pour sélectionner la dixième plage, appuyer sur **+10** et **0**.

La lecture démarre à la plage sélectionnée et continue jusqu'à la fin du disque.

Changement de disques pendant la lecture

Pendant qu'un disque est en lecture, on peut remplacer les autres disques sans interrompre la lecture.

1 Appuyer sur **DISC CHANGE**.

2 Enlever les disques et les remplacer par d'autres disques.

3 Appuyer sur **▲ OPEN/CLOSE** pour fermer le compartiment à disques.

## REMARQUE

- Pour mettre un disque de 8 cm en place, le poser dans le renforcement circulaire du plateau.
- Ne pas mettre plus d'un disque compact sur un plateau.
- Ne pas incliner l'appareil avec des disques en place. Cela pourrait provoquer des pannes.
- Ne pas utiliser des disques compacts de forme irrégulière (par ex. disques en forme de cœur ou octogonaux). Cela pourrait provoquer des pannes.
- Du fait de différences de plates-formes d'enregistrement, l'appareil risque de ne pas pouvoir lire un disque CD-R/RW qui a été enregistré sur un ordinateur personnel ou sur toute autre sorte de graveur de CD-R/RW.
- Ne pas apposer d'autocollant ou d'étiquette sur les côtés (côté enregistrable et côté marqué) d'un disque CD-R/RW. Cela pourrait provoquer une panne.

## LECTURE ALEATOIRE/REPETEE

Utiliser la télécommande.

### Lecture aléatoire

Toutes les plages du disque sélectionné ou tous les disques peuvent être lus dans un ordre aléatoire.


### Lecture répétée


Un seul disque ou tous les disques peuvent être lus à plusieurs reprises.

### Appuyer sur RANDOM/REPEAT tout en appuyant sur SHIFT.


A chaque pression sur les touches, la fonction peut être sélectionnée de façon cyclique.

**Lecture aléatoire** — RANDOM s'allume sur l'affichage.

**Lecture répétée** —  s'allume sur l'affichage.


**Lecture aléatoire/répétée** — RANDOM et  s'allument sur l'affichage.

**Annulation** — RANDOM et  disparaissent de l'affichage.

**Pour lire tous les disques**, appuyer sur  pour démarrer la lecture.

**Pour lire un seul disque**, appuyer sur une des touches **DISC DIRECT PLAY 1-3** pour démarrer la lecture.

### REMARQUE

Pendant la lecture aléatoire, il est impossible de sauter à la plage précédemment lue en appuyant sur .

## LECTURE AVEC SAUT DES BLANCS

Les parties vierges se trouvant entre les plages enregistrées sur un disque compact peuvent être sautées pendant la lecture.

### 1 Appuyer sur CD BLANK SKIP.

"CD BLANK SKIP ON" est affiché et un petit point apparaît sur l'affichage.



### 2 Appuyer sur pour démarrer la lecture.

Les parties vierges se trouvant entre les plages sont sautées, et le son est lu sans interruption. Si le son d'une la plage s'affaiblit (si la plage se termine avec une diminution progressive du niveau sonore), la partie de l'affaiblissement est aussi sautée.

### Pour revenir à la lecture normale

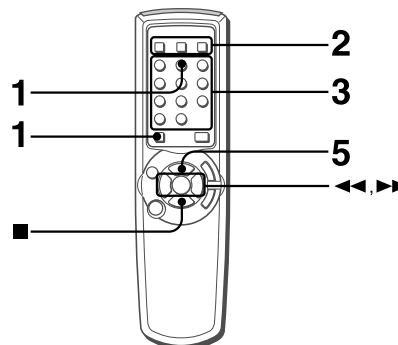
Appuyer de nouveau sur **CD BLANK SKIP**; le petit point disparaît de l'affichage.

### REMARQUE

- Il peut y avoir des cas où la lecture avec saut des blancs ne fonctionne pas correctement.
- La lecture avec saut des blancs est automatiquement annulée lors de l'ENREGISTREMENT AVEC MONTAGE ET CALCUL DU TEMPS (voir page 16), lors de l'ENREGISTREMENT AVEC MONTAGE PROGRAMMÉ (voir page 17) ou lors de l'enregistrement pendant la LECTURE PROGRAMMEE (voir page 13) ou la LECTURE ALEATOIRE (voir page 13).

## LECTURE PROGRAMMEE

On peut programmer un maximum de 30 plages de n'importe lequel des disques en place.



Utiliser la télécommande.

### 1 Appuyer sur PRGM tout en appuyant sur SHIFT en mode arrêt.

"PRG" est affiché.



### 2 Appuyer sur une des touches DISC DIRECT PLAY 1-3 pour sélectionner un disque.

Passer à l'étape suivante quand le plateau arrête de tourner.

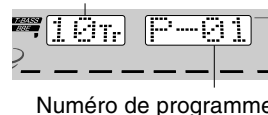
### 3 Utiliser les touches numériques 0-9 et +10 pour programmer une plage.

Exemple:

Pour sélectionner la vingt-cinquième plage, appuyer sur **+10**, **+10** et **5**.

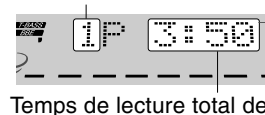
Pour sélectionner la dixième plage, appuyer sur **+10** et **0**.

Numéro de la plage sélectionnée



Numéro de programme

Nombre total de plages sélectionnées


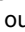


Temps de lecture total des plages sélectionnées

### 4 Répéter les étapes 2 et 3 pour programmer d'autres plages.

### 5 Appuyer sur pour démarrer la lecture.

### Pour vérifier le programme

A chaque pression sur  ou  dans le mode arrêt, un numéro de disque, un numéro de plage et un numéro de programme sont affichés.

### Pour effacer le programme

Appuyer sur  **CLEAR** en mode arrêt.


### Pour ajouter des plages au programme

Répéter les étapes 2 et 3 dans le mode arrêt. La plage sera programmée à la suite de la dernière.

### Pour changer les plages programmées

Effacer le programme puis répéter toutes les étapes.

### Pour lire les plages programmées à plusieurs reprises

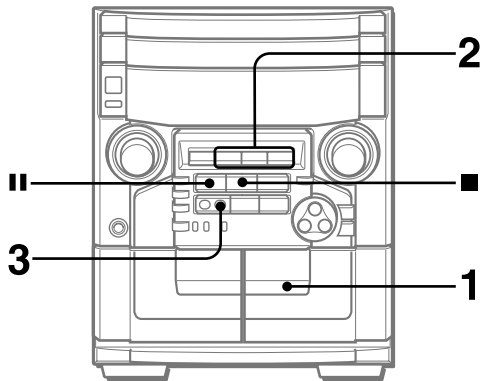
Après la programmation des plages, appuyer sur **RANDOM/REPEAT** à plusieurs reprises tout en appuyant sur **SHIFT** jusqu'à ce que  apparaisse sur l'affichage.

### REMARQUE

- Pendant la lecture programmée, on ne peut pas effectuer la lecture aléatoire, contrôler le temps restant et sélectionner un disque ou une plage. "Can't USE" est affiché si on essaie de sélectionner une plage.
- "FULL" est affiché si on tente de programmer plus de 30 plages.

## ENREGISTREMENT DE BASE

Cette partie explique comment enregistrer à partir du tuner, du lecteur de disques compacts ou d'un appareil externe.

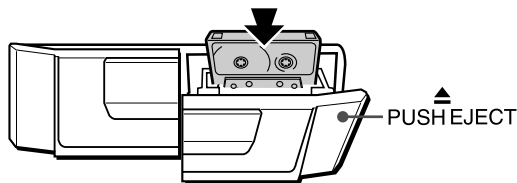


### Préparation

- Utiliser uniquement des cassettes de type I (normales).
- Bobiner la cassette jusqu'à l'endroit où on veut démarrer l'enregistrement.
- Remarquer que l'enregistrement est fait sur une seule face de la cassette.

### 1 Insérer la cassette à enregistrer dans la platine 2.

Insérer la cassette avec la face à enregistrer en premier orientée vers l'extérieur de l'appareil.



### 2 Sélectionner la fonction (CD, TUNER ou VIDEO/AUX) et préparer la source à partir de laquelle on veut enregistrer.

**Pour enregistrer à partir d'un disque compact**, appuyer sur CD et mettre le(s) disque(s) compact(s) en place.

**Pour enregistrer une émission de radio**, appuyer sur TUNER et accorder sur une station.

**Pour enregistrer à partir d'une source connectée**, appuyer sur VIDEO/AUX.

### 3 Appuyer sur ● REC/REC MUTE pour démarrer l'enregistrement.

Lors de l'enregistrement à partir d'une source connectée, mettre cette source en lecture.



Quand la fonction sélectionnée est CD, la lecture et l'enregistrement démarrent simultanément.

**Pour arrêter l'enregistrement**, appuyer sur ■.

**Pour mettre l'enregistrement en pause**, appuyer sur ||. (Applicable quand la source est TUNER ou VIDEO/AUX.) Pour reprendre l'enregistrement, appuyer de nouveau sur cette touche.

### Réglage du son pendant l'enregistrement

On peut faire varier librement le volume de sortie et la tonalité (BBE exceptés) des enceintes ou du casque sans affecter l'enregistrement.

## INSERTION D'ESPACES BLANCS

L'insertion d'espaces blancs de quatre secondes permet l'utilisation de la fonction senseur de musique. (Applicable quand la source est TUNER ou VIDEO/AUX.)

### 1 Appuyer sur ● REC/REC MUTE pendant l'enregistrement ou pendant le mode pause d'enregistrement.

**REC** clignote sur l'affichage pendant quatre secondes et un espace blanc de quatre secondes est fait. Ensuite, la platine passe au mode pause d'enregistrement.

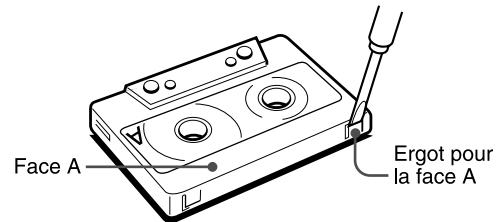
### 2 Appuyer sur || pour reprendre l'enregistrement.

**Pour insérer un espace blanc de moins de quatre secondes**, appuyer de nouveau sur ● REC/REC MUTE tandis que **REC** clignote.

**Pour insérer un espace blanc de plus de quatre secondes**, appuyer de nouveau sur ● REC/REC MUTE une fois que la platine passe au mode pause d'enregistrement. A chaque pression sur la touche, un espace blanc de quatre secondes est ajouté.

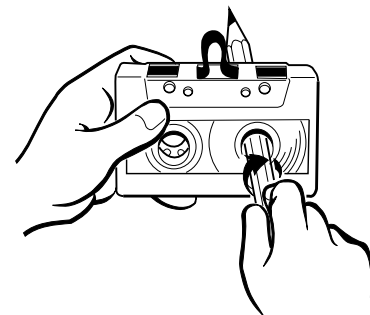
### Au sujet des cassettes

- **Pour éviter un effacement accidentel**, utiliser un tournevis ou tout autre objet effilé pour casser les ergots en plastique de la cassette après l'enregistrement.



Pour enregistrer de nouveau sur la cassette, recouvrir les cavités des ergots avec du ruban adhésif ou autre.

- **Le ruban magnétique des cassettes de 120 minutes ou plus** est extrêmement fin et se déforme et s'endommage facilement. Ces cassettes ne sont pas recommandées.
- **Tendre le ruban magnétique** avec un crayon ou un objet similaire avant d'utiliser une cassette. Un ruban magnétique détendu peut se rompre ou s'emmêler dans le mécanisme.



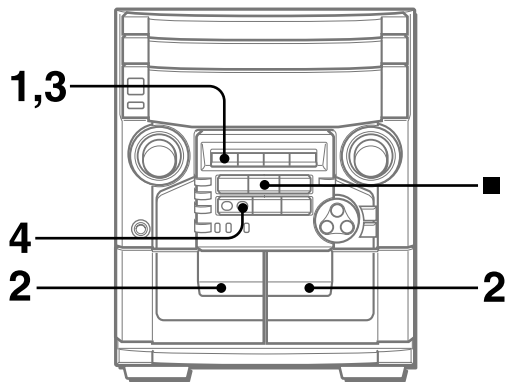
### REMARQUE

"Can't REC" est affiché si on tente d'enregistrer sur une cassette dont les ergots en plastique sont cassés.

### Pour effacer un enregistrement

- 1 Insérer la cassette à effacer dans la platine 2 et appuyer sur TAPE DECK 1/2 pour afficher "TP 2".
- 2 Bobiner la cassette jusqu'à l'endroit où on veut démarrer l'effacement.
- 3 Appuyer sur ● REC/REC MUTE pour démarrer l'effacement.

## DUPLICATION MANUELLE D'UNE CASSETTE



### REMARQUE

- Bobiner la cassette jusqu'à l'endroit où on veut démarrer l'enregistrement.
- Remarquer que l'enregistrement ne sera fait que sur une face de la cassette.

#### 1 Appuyer sur TAPE.

#### 2 Insérer la cassette originale dans la platine 1 et la cassette à enregistrer dans la platine 2.

Insérer chaque cassette avec la face à lire ou à enregistrer orientée vers l'extérieur de l'appareil.

#### 3 Appuyer sur TAPE DECK 1/2 pour sélectionner la platine 1.

"TP 1" est affiché.

#### 4 Appuyer sur ● REC/REC MUTE pour démarrer l'enregistrement.

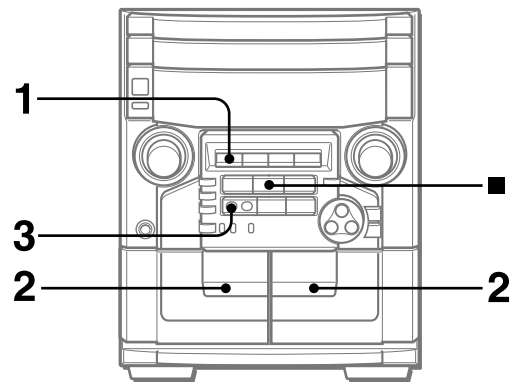
La lecture et l'enregistrement démarrent simultanément.



#### Pour arrêter la duplication

Appuyer sur ■.

## DUPLICATION DE LA TOTALITE D'UNE CASSETTE



Cette fonction permet de faire des copies exactes de la cassette originale.

### REMARQUE

- La duplication ne démarre pas à un point situé au milieu d'une face.
- Remarquer que l'enregistrement ne sera fait que sur une face de la cassette.

#### 1 Appuyer sur TAPE.

#### 2 Insérer la cassette originale dans la platine 1 et la cassette à enregistrer dans la platine 2.

Insérer chaque cassette avec la face à lire ou à enregistrer orientée vers l'extérieur de l'appareil.

#### 3 Appuyer sur SYNC DUB pour démarrer l'enregistrement.

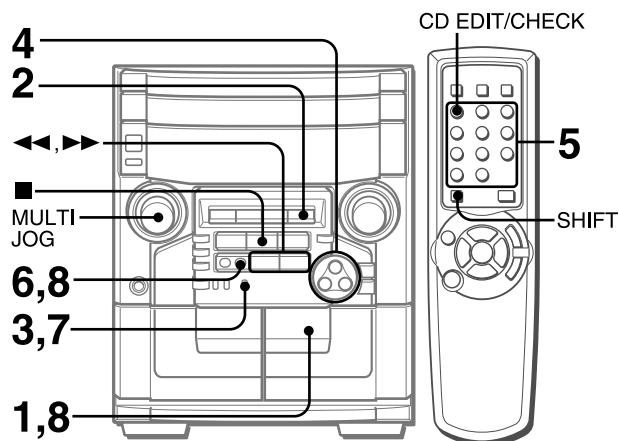


Les cassettes sont rembobinées jusqu'au début des faces avant, puis l'enregistrement démarre.

#### Pour arrêter la duplication

Appuyer sur ■.

## ENREGISTREMENT AVEC MONTAGE ET CALCUL DU TEMPS



La fonction enregistrement avec montage et calcul du temps permet d'enregistrer à partir de disques compacts sans se préoccuper de la durée de la cassette et de la durée des plages. Quand un disque compact est en place, l'appareil calcule automatiquement la durée totale des plages. Si nécessaire, l'ordre des plages est changé de manière qu'aucune plage ne soit tronquée.

(AI: Intelligence Artificielle)

### REMARQUE

L'enregistrement avec montage et calcul du temps ne démarrera pas à un point situé au milieu d'une face. La cassette doit être enregistrée à partir du début d'une de ses faces.

#### 1 Insérer la cassette dans la platine 2.

Insérer la cassette avec la face à enregistrer en premier orientée vers l'extérieur de l'appareil.

#### 2 Appuyer sur CD et mettre le(s) disque(s) en place.

#### 3 Appuyer une fois sur CD EDIT/CHECK.

Quand on utilise la télécommande, appuyer une fois sur **CD EDIT/CHECK** tout en appuyant sur **SHIFT**.

"EDIT" et "AI" sont affichés.



• Si "PRGM" est affiché, appuyer sur **CD EDIT/CHECK**.

#### 4 Appuyer sur une des touches DISC DIRECT PLAY 1-3 pour sélectionner un disque.

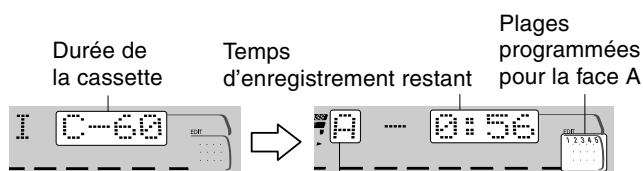
#### 5 Utiliser les touches numériques 0-9 de la télécommande pour spécifier la durée de la cassette.

On peut spécifier une durée de 10 à 99 minutes.

Exemple: Quand on utilise une cassette de 60 minutes, appuyer sur **6** et **0**.

En quelques secondes, les plages à enregistrer sur chaque face de la cassette sont déterminées.

• La durée de la cassette peut aussi être spécifiée avec **◀▶**, **▶▶** ou **MULTI JOG**.



Face de la cassette

A: Face du premier enregistrement

B: Face du deuxième enregistrement

#### 6 Appuyer sur ● REC/REC MUTE pour démarrer l'enregistrement sur la première face.

La cassette est rembobinée jusqu'au début de la première face, l'amorce est lue pendant dix secondes, puis l'enregistrement démarre. Une fois que l'enregistrement de la dernière plage programmée pour la face A est terminé, la platine 2 passe en mode arrêt d'enregistrement. Passer alors à l'étape 7.

#### 7 Appuyer sur CD EDIT/CHECK pour afficher le programme pour le deuxième enregistrement.

"B" est affiché.

#### 8 Retourner la cassette dans la platine 2 puis appuyer sur ● REC/REC MUTE pour démarrer l'enregistrement sur la deuxième face.

#### Pour arrêter l'enregistrement

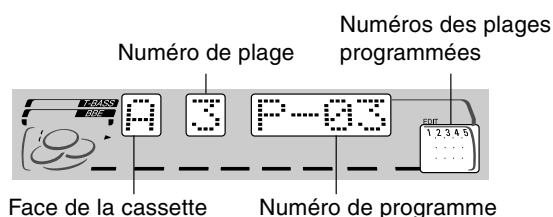
Appuyer sur **■**. L'enregistrement de la cassette et la lecture du disque compact s'arrêtent simultanément.

#### Pour effacer le programme de montage

Appuyer deux fois sur **■ CLEAR** de manière que "EDIT" disparaisse de l'affichage.

#### Pour contrôler l'ordre des numéros des plages programmées

Avant l'enregistrement, appuyer sur **CD EDIT/CHECK** pour sélectionner la face A ou B, puis appuyer sur **◀▶** ou **▶▶** à plusieurs reprises.



#### Pour ajouter des plages d'autres disques au programme de montage

S'il reste du temps sur la cassette après l'étape 5, on peut ajouter des plages des autres disques situés dans le compartiment.

1 Appuyer sur **CD EDIT/CHECK** pour sélectionner la face A ou B.

2 Appuyer sur une des touches **DISC DIRECT PLAY 1-3** pour sélectionner un disque.

3 Sélectionner les plages à l'aide des touches numériques de la télécommande. Une plage dont la durée de lecture est supérieure au temps restant ne peut pas être programmée.

4 Répéter les étapes 2 et 3 pour ajouter d'autres plages.

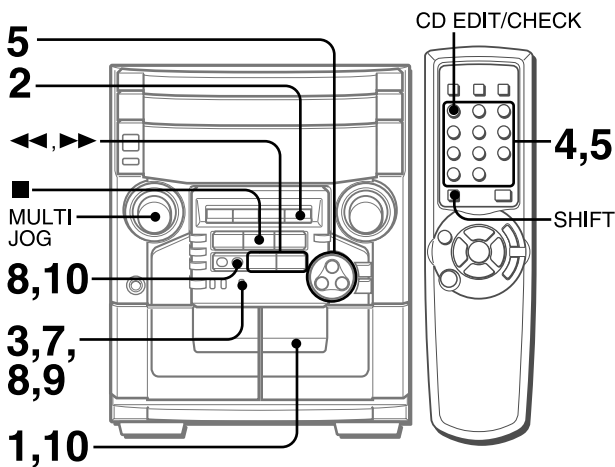
#### Durée des cassettes et temps du montage

La durée réelle d'une cassette est en général légèrement supérieure à celle indiquée sur l'étiquette. Cet appareil peut programmer des plages pour utiliser le temps en excès. Quand, après le montage, la durée totale d'enregistrement est légèrement supérieure à la durée spécifiée pour la cassette, l'affichage indique le temps en excès (sans signe moins) au lieu du temps restant de la face de la cassette (avec le signe moins).

### REMARQUE

La fonction enregistrement avec montage et calcul du temps ne peut pas être utilisée avec les disques contenant 31 plages ou plus. "TR OVER" est affiché si un tel disque est utilisé.

## ENREGISTREMENT AVEC MONTAGE PROGRAMME

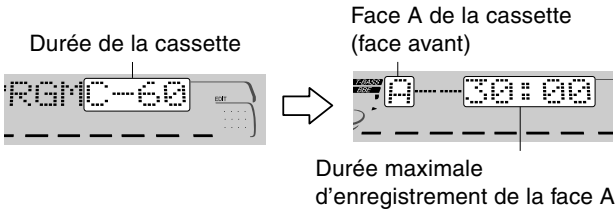


La fonction enregistrement avec montage programmé permet de programmer les plages tout en contrôlant le temps restant sur chaque face de la cassette.

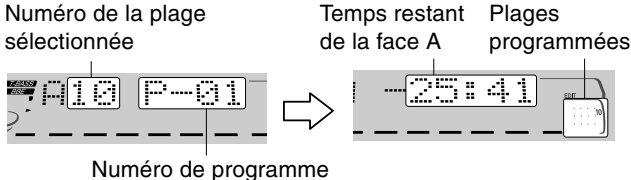
**REMARQUE**

L'enregistrement avec montage programmé ne démarrera pas à un point situé au milieu d'une face. La cassette doit être enregistrée à partir du début d'une de ses faces.

- 1 Insérer la cassette dans la platine 2.**  
Insérer la cassette avec la face à enregistrer en premier orientée vers l'extérieur de l'appareil.
- 2 Appuyer sur CD et mettre le(s) disque(s) en place.**
- 3 Appuyer deux fois sur CD EDIT/CHECK.**  
Quand on utilise la télécommande, appuyer deux fois sur **CD EDIT/CHECK** tout en appuyant sur **SHIFT**.  
"EDIT" et "PRGM" sont affichés.  
• Si "AI" est affiché, appuyer de nouveau sur **CD EDIT/CHECK**.
- 4 Utiliser les touches numériques de la télécommande pour spécifier la durée de la cassette.**  
On peut spécifier une durée de 10 à 99 minutes.  
• La durée de la cassette peut aussi être spécifiée avec ◀◀, ▶▶ ou **MULTI JOG**.



- 5 Appuyer sur une des touches DISC DIRECT PLAY 1-3 pour sélectionner un disque.**  
**Ensuite, utiliser les touches numériques 0-9 et +10 de la télécommande pour programmer une plage.**  
Exemple: Pour sélectionner la dixième plage du disque 2, appuyer sur **DISC DIRECT PLAY 2**, puis appuyer sur **+10** et **0**.



- 6 Répéter l'étape 5 pour le reste des plages de la face A.**  
Une plage dont la durée de lecture est supérieure au temps restant ne peut pas être programmée.
- 7 Appuyer sur CD EDIT/CHECK pour sélectionner la face B, puis programmer les plages pour cette face.**  
Après s'être assuré que "B" est affiché, répéter l'étape 5.

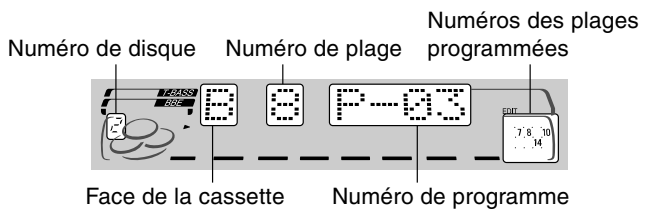
Face B de la cassette (face arrière)



- 8 Appuyer sur CD EDIT/CHECK pour sélectionner la face A puis appuyer sur ● REC/REC MUTE pour démarrer l'enregistrement.**  
La cassette est rembobinée jusqu'au début de la face avant, l'amorce est lue pendant dix secondes, puis l'enregistrement démarre. Une fois que l'enregistrement de la dernière plage programmée pour la face A est terminé, la platine 2 passe en mode arrêt d'enregistrement. Passer alors à l'étape 9.
- 9 Appuyer sur CD EDIT/CHECK pour l'enregistrement de la deuxième face.**  
"B" est affiché.
- 10 Retourner la cassette dans la platine 2 puis appuyer sur ● REC/REC MUTE pour démarrer l'enregistrement.**  
L'enregistrement démarre.

**Pour arrêter l'enregistrement**  
Appuyer sur ■. L'enregistrement de la cassette et la lecture du disque compact s'arrêtent simultanément.

**Pour contrôler l'ordre des numéros des plages programmées**  
Avant l'enregistrement, appuyer sur **CD EDIT/CHECK** pour sélectionner la face A ou B, puis appuyer sur ◀◀ ou ▶▶ à plusieurs reprises.



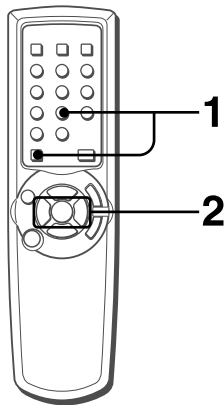
**Pour changer le programme de chaque face**  
Appuyer sur **CD EDIT/CHECK** pour sélectionner la face A ou B, puis appuyer sur ■ **CLEAR** pour effacer le programme de la face sélectionnée. Ensuite, reprogrammer des plages.

**Pour effacer le programme du montage**  
Appuyer deux fois sur ■ **CLEAR** de manière que "EDIT" disparaisse de l'affichage.

**REMARQUE**

- On peut programmer un maximum de 30 plages de n'importe lequel des disques en place.
- "FULL" est affiché si on tente de programmer plus de 30 plages.

## REGLAGE DE LA MINUTERIE D'ARRET



L'appareil peut être mis hors tension automatiquement au bout d'un temps spécifié.

Utiliser la télécommande.

### 1 Appuyer sur SLEEP tout en appuyant sur SHIFT.



### 2 Dans les quatre secondes, appuyer sur ◀◀ DOWN ou ▶▶ UP pour spécifier le temps jusqu'à la mise hors tension.

Le temps change entre 5 et 240 minutes par pas de 5 minutes. On peut aussi utiliser MULTI JOG au lieu de ◀◀ ou ▶▶.



Quand la minuterie est en marche, l'indication de l'affichage est plus sombre que d'habitude.

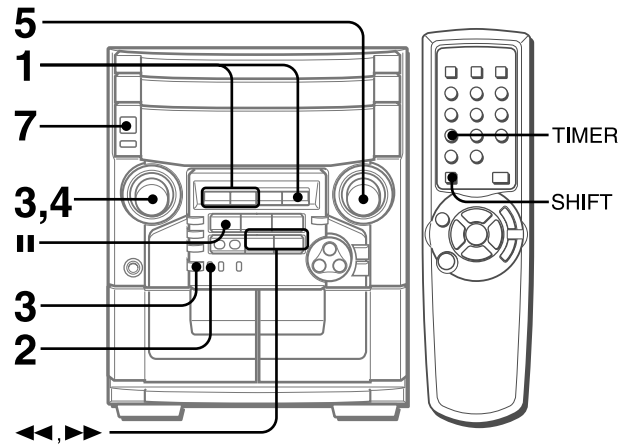
### Pour contrôler le temps restant jusqu'à la mise hors tension

Appuyer une fois sur SLEEP tout en appuyant sur SHIFT. Le temps restant est affiché pendant quatre secondes.

### Pour annuler la minuterie d'arrêt

Appuyer deux fois sur SLEEP tout en appuyant sur SHIFT de manière que "SLEEP OFF" apparaisse sur l'affichage.

## REGLAGE DE LA MINUTERIE



Avec la minuterie intégrée, l'appareil peut être mis sous tension chaque jour à l'heure spécifiée.

### Préparation

S'assurer que l'horloge est réglée correctement.

### 1 Appuyer sur une des touches de fonction pour sélectionner une source.

### 2 Appuyer sur TIMER à plusieurs reprises jusqu'à ce que ☉ apparaisse sur l'affichage.

Quand on utilise la télécommande, appuyer sur TIMER tout en appuyant sur SHIFT.

L'heure et le nom de la source audio clignotent alternativement.



### 3 Dans les six secondes, tourner MULTI JOG pour spécifier l'heure de la mise sous tension par la minuterie, puis appuyer sur ENTER ou ||.

La rotation de MULTI JOG change à la fois les heures et les minutes.

On peut aussi utiliser ◀◀ ou ▶▶ au lieu de MULTI JOG. Le fait de tenir ces touches enfoncée fait varier l'heure rapidement.



### 4 Dans les quatre secondes, tourner MULTI JOG pour sélectionner la durée de la mise sous tension par la minuterie.

La durée peut être spécifiée entre 5 et 240 minutes par pas de 5 minutes.

On peut aussi utiliser ◀◀ ou ▶▶ au lieu de MULTI JOG.



La durée est automatiquement réglée au bout de quatre secondes. Elle est aussi réglée si on appuie sur ENTER ou || dans les quatre secondes après l'étape 4.

## 5 Régler le volume.

Lors de la mise sous tension par la minuterie, le son de la source sera reproduit au niveau du volume réglé à cette étape. Toutefois, si le niveau du volume est réglé à 17 ou plus, il sera automatiquement réglé à 16 lors de la mise sous tension.

## 6 Préparer la source.

**Pour écouter un disque compact**, mettre le disque à lire en premier en place sur le plateau 1.

**Pour écouter une cassette**, l'insérer dans la platine 1 ou 2.

**Pour écouter la radio**, sélectionner la gamme et accorder sur une station.

## 7 Appuyer sur POWER pour mettre l'appareil hors tension.

Quand l'heure de la mise sous tension par la minuterie est atteinte, l'appareil est mis sous tension et la lecture commence sur la source sélectionnée.

### REMARQUE

En appuyant sur une des touches de fonction avant d'appuyer sur **ENTER** ou **II** à l'étape 3, on peut changer la source sélectionnée à l'étape 1.

### Pour contrôler le réglage de la minuterie

Appuyer sur **TIMER**.

L'heure de la mise sous tension par la minuterie, la source sélectionnée et la durée de la mise sous tension par la minuterie sont affichées pendant quatre secondes.

### Pour changer un réglage

Recommencer à partir de l'étape 1.

Toutefois, si on ne change pas l'heure de la mise sous tension par la minuterie, appuyer deux fois sur **ENTER** à l'étape 3 et continuer à partir de l'étape 4.

### Pour annuler provisoirement le mode attente de minuterie

Appuyer sur **TIMER** à plusieurs reprises de manière que ☹ disparaisse.

Pour rétablir le mode attente de minuterie, appuyer de nouveau sur la touche de manière que ☹ soit affiché.

### Utilisation de l'appareil lorsque la minuterie est réglée

On peut utiliser l'appareil normalement après avoir réglé la minuterie.

Avant de mettre l'appareil hors tension, effectuer les étapes 5 et 6.

### REMARQUE

- La lecture et l'enregistrement commandés par la minuterie ne se feront pas si l'appareil n'est pas mis hors tension.
- Un appareil connecté ne peut pas être mis sous et hors tension par la minuterie intégrée de l'appareil principal. Utiliser une minuterie externe.

## ENREGISTREMENT COMMANDE PAR MINUTERIE

L'enregistrement commandé par minuterie est applicable seulement aux sources TUNER et VIDEO/AUX (avec une minuterie externe).

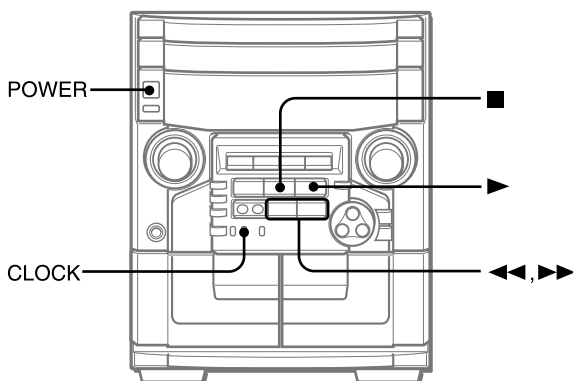
Appuyer sur **TUNER BAND** ou **VIDEO/AUX** pour sélectionner une source, puis **appuyer sur TIMER à plusieurs reprises jusqu'à ce que ☹ clignote sur l'affichage**. Dans les six secondes, effectuer les étapes de la partie "REGLAGE DE LA MINUTERIE" à partir de l'étape 3 et, après l'étape 6, insérer la cassette à enregistrer dans la platine 2.

### REMARQUE

- Si l'enregistrement commandé par minuterie est fait avec le mode économie d'énergie (page 6) réglé sur "ECO ON" ou "ECO AUTO" et si l'appareil se met hors tension, la luminosité sera réglée sur le niveau minimal et le niveau du volume sera 0 (niveau minimal) lors de la mise sous tension suivante.
- On ne peut pas utiliser la fonction minuterie pour enregistrer à partir d'un disque compact ou d'une cassette.
- On peut contrôler le réglage de la minuterie en appuyant sur **TIMER** même quand l'alimentation est coupée. Dans ce cas, si on appuie sur **ENTER** ou sur **II** dans les quatre secondes après avoir appuyé sur **TIMER**, on peut passer au mode réglage de minuterie et changer le réglage précédent.



## DEMO (Démonstration)



On peut profiter de deux sortes de modes DEMO sur cet appareil. L'une est une *démonstration*, l'autre est *un jeu*. Dans le mode démonstration, un éclairage chatoyant apparaît sur l'affichage.

Dans le mode jeu, on peut s'amuser.

**Pour passer d'un mode à l'autre**, appuyer sur **POWER** tout en appuyant sur ► quand l'alimentation est coupée.

**Pour activer la démonstration ou le jeu**, appuyer sur ► quand l'alimentation est coupée.

**Pour désactiver la démonstration ou le jeu**, appuyer sur **CLOCK**.

Pour l'utilisation du jeu, voir ci-dessous.

### Utilisation du jeu Demo

#### 1 Pour démarrer le jeu, appuyer sur ► quand l'alimentation est coupée.

Trois chiffres se déplacent sur l'affichage.

#### 2 Appuyer une fois sur ■.

Le chiffre de gauche s'arrête.

#### 3 Appuyer deux fois sur ■ pour arrêter les deux autres chiffres.

Marque:

On dispose de 20 points au démarrage du jeu.

Si les trois chiffres sont égaux, 50 points sont ajoutés au score.

Si les chiffres ne sont pas égaux, un point est soustrait.

Si le total des points atteint 9999, on a gagné.

Si le total des points tombe à 0, on a perdu.

#### Pour réinitialiser le jeu Demo

Appuyer sur **CLOCK**, puis appuyer sur ►.

#### Pour changer la probabilité d'égalisation des trois chiffres

Appuyer sur ◀◀ ou ▶▶ à plusieurs reprises pour sélectionner un des trois niveaux de probabilité lors de l'utilisation du jeu Demo. L'indicateur de numéro de plateau affiché change entre 1 et 3. La probabilité d'égalisation augmente comme le numéro de plateau augmente de 1 à 3.



### REMARQUE

- Pendant l'utilisation du jeu Demo, ■, ◀◀, ▶▶ et ► ne sont disponibles que pour ce jeu. Pour utiliser ces touches pour les fonctions telles que lecture de disque compact ou autre, mettre l'appareil sous tension.
- Pendant le jeu Demo, certains indicateurs sans rapport avec l'utilisation en cours peuvent s'allumer sur l'affichage.

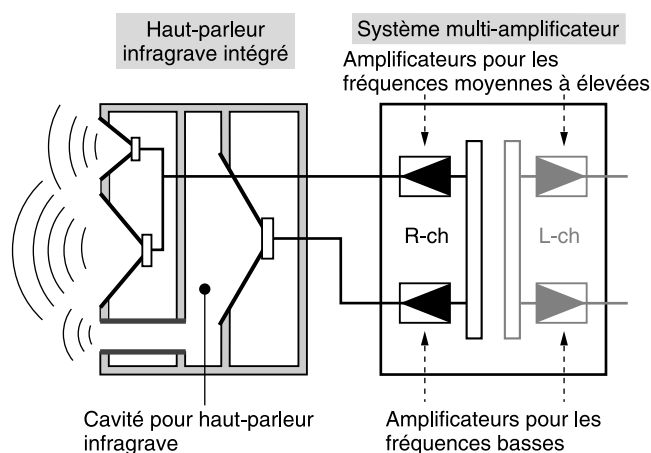
## Système multi-amplificateur à quatre canaux

Pour accentuer les fréquences basses, en plus de l'amplificateur à deux canaux gauche/droite utilisé pour reproduire les fréquences moyennes à élevées, ce système comprend un second amplificateur à deux canaux gauche/droite juste pour la reproduction des fréquences basses — ce qui donne un système à quatre amplificateurs. En utilisant des amplificateurs discrets pour les fréquences moyennes à élevées et les fréquences basses, une reproduction sonore de haute qualité qui est pratiquement exempte de distorsion peut être obtenue. Ce système multi-amplificateur, qui utilise des circuits indépendants pour les différentes gammes de fréquences, permet d'obtenir une superbe reproduction sonore exempte de distorsion.

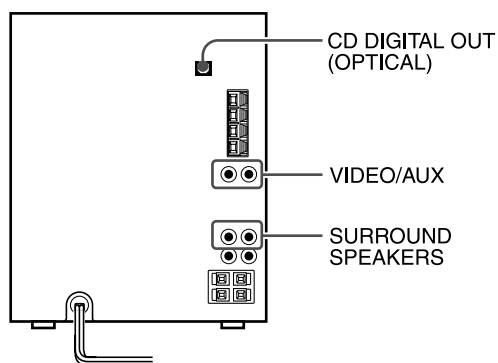
## Système à haut-parleur infragrave intégré

Le système à haut-parleur infragrave intégré possède une cavité pour haut-parleur infragrave qui fait partie de la structure du coffret de l'enceinte et qui agit comme filtre sonore pour éliminer la distorsion. (Dans le système multi-amplificateur, les signaux de très basse fréquence émis par leur propre amplificateur sont reproduits dans cette cavité.) Cette construction séparée donne une définition claire et riche à la reproduction des basses tout en permettant des signaux de fréquences moyennes à élevées clairs et nets.

Le système AIWA à haut-parleur infragrave intégré comprend un haut-parleur infragrave donnant une reproduction puissante et claire des basses avec une vraie séparation stéréo.



**CONNEXION D'UN APPAREIL OPTIONNEL**



Pour plus de détails, se reporter au mode d'emploi de l'appareil connecté.

- Les cordons de raccordement ne sont pas fournis. Se procurer les cordons nécessaires.
- Pour les appareils optionnels disponibles, consulter le distributeur Aiwa local.

**PRISES VIDEO/AUX**

Cet appareil peut recevoir des signaux sonores analogiques par ces prises.

Utiliser un câble à fiches phono RCA pour connecter un appareil audio (tourne-disque, lecteur de disque laser, lecteur de minidisque, magnéto, téléviseur, etc.).

Connecter la fiche rouge à la prise **VIDEO/AUX R** et la fiche blanche à la prise **VIDEO/AUX L**.

**Pour connecter un tourne-disque**

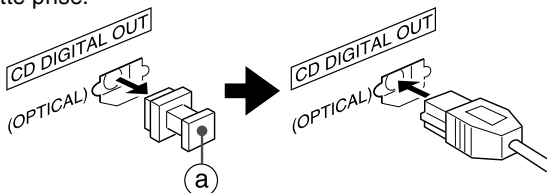
Utiliser un tourne-disque Aiwa muni d'un amplificateur à égaliseur intégré.

**PRISE CD DIGITAL OUT (OPTICAL)**

Cet appareil peut sortir les signaux sonores numériques de disque compact par cette prise.

Utiliser un câble optique pour connecter un appareil audio numérique (platine DAT, enregistreur de minidisque, etc.).

Enlever le capuchon antipoussière (a) de la prise **CD DIGITAL OUT (OPTICAL)**. Ensuite, connecter la fiche d'un câble optique à cette prise.



**Quand la prise CD DIGITAL OUT (OPTICAL) n'est pas utilisée**

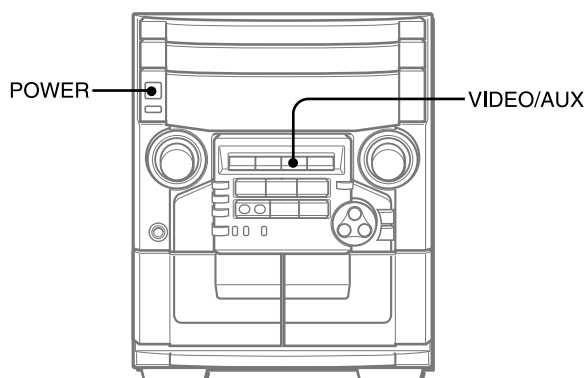
Mettre en place le capuchon antipoussière fourni.

**PRISES SURROUND SPEAKERS**

Connecter des enceintes surround optionnelles d'une impédance de 8 à 16 ohms à ces prises.

Pour obtenir un son normal, veiller à connecter des enceintes surround droite et gauche à ces prises.

**ECOUTE DE SOURCES EXTERNES**



Pour utiliser l'appareil connecté aux prises VIDEO/AUX, procéder de la manière suivante.

**1 Appuyer sur VIDEO/AUX.**

"VIDEO" apparaît sur l'affichage.

**2 Mettre l'appareil connecté en lecture.**

**Pour changer un nom de source sur l'affichage**

Quand on appuie sur **VIDEO/AUX**, "VIDEO" est affiché initialement. On peut remplacer ce nom par "VIDEO", "AUX" ou "TV".

L'appareil étant sous tension, appuyer sur **POWER** tout en appuyant sur **VIDEO/AUX**.

Répéter cette procédure pour sélectionner un des noms.

## SOINS ET ENTRETIEN

Un entretien et des soins réguliers de l'appareil et des disques et cassettes sont nécessaires pour assurer un fonctionnement optimal.

**Nettoyage du coffret**

Utiliser un chiffon doux et sec.

Si l'appareil est extrêmement sale, utiliser un chiffon doux légèrement imbibé d'une solution détergente douce. Afin de ne pas altérer le fini de l'appareil, ne pas utiliser de solvants forts, tels que de l'alcool, de la benzine ou du diluant.

**Nettoyage des têtes du magnétocassette**

Quand les têtes du magnétocassette sont sales:

- il n'y a pas de sons aigus
- le son est trop faible
- le son est déséquilibré
- l'effacement d'une cassette est impossible
- l'enregistrement d'une cassette est impossible

Toutes les dix heures d'utilisation, nettoyer les têtes du magnétocassette avec une cassette prévue à cet effet.

Pour plus de détails, se référer au mode d'emploi de la cassette de nettoyage.

**Démagnétisation des têtes du magnétocassette**

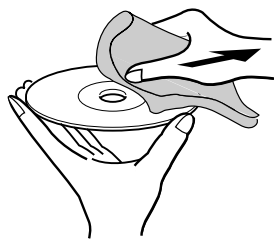
A la longue, les têtes du magnétocassette peuvent devenir magnétisées. Ceci peut restreindre la plage de sortie des cassettes enregistrées et augmenter le bruit.

A l'aide d'une cassette de démagnétisation disponible dans le commerce, démagnétiser les têtes du magnétocassette toutes les 20 à 30 heures d'utilisation.

Pour plus de détails, se référer au mode d'emploi de la cassette de démagnétisation.

**Soins des disques**

- Si un disque est sale, l'essuyer du centre vers l'extérieur avec un chiffon de nettoyage.



- Après la lecture d'un disque, le ranger dans son étui. Ne pas laisser le disque dans un endroit chaud ou humide.

**Soins des cassettes**

- Après l'utilisation, ranger les cassettes dans leurs boîtes.
- Ne pas laisser les cassettes près d'un aimant, d'un moteur électrique, d'un téléviseur ou de toute autre source de champ magnétique. Cela diminuerait la qualité sonore et provoquerait du souffle.
- Ne pas exposer les cassettes au soleil ni les laisser dans un véhicule garé au soleil.

## EN CAS DE PROBLEME

Si l'appareil ne fonctionne pas comme décrit dans ce mode d'emploi, contrôler le guide suivant.

**GENERALITES****Il n'y a pas de son.**

- Le cordon secteur est-il branché correctement?
- N'y a-t-il pas une mauvaise connexion? (→ page 4)
- Il y a peut-être un court-circuit dans les bornes d'enceinte.
  - Débrancher le cordon secteur puis corriger les connexions d'enceinte.
- Une touche de fonction incorrecte n'est-elle pas en service?

**Le son ne sort que par une seule enceinte.**

- L'autre enceinte n'est-elle pas déconnectée?

**Un affichage ou un fonctionnement erroné se produit.**

→ Réinitialiser l'appareil comme indiqué ci-dessous.

**L'appareil s'éteint quand l'alimentation est coupée.**

- Le mode économie d'énergie n'est-il pas réglé sur "ECO ON" ou "ECO AUTO"? (→ page 6)

**L'appareil n'est pas sous tension.**

→ Débrancher le cordon secteur puis le rebrancher quelques secondes après.

**PARTIE TUNER****Il y a des charges statiques constantes en forme d'onde.**

- L'antenne est-elle connectée correctement? (→ page 5)
- Le signal n'est-il pas faible?
  - Connecter une antenne extérieure.

**La réception présente des parasites ou le son présente de la distorsion.**

- Le système ne capte-t-il pas des bruits extérieurs ou des ondes réfléchies?
  - Changer l'orientation de l'antenne.
  - Eloigner l'appareil d'autres appareils électriques.

**PARTIE MAGNETOCASSETTE****La bande ne défile pas.**

- La platine 2 n'est-elle pas en mode pause? (→ page 11)

**Le son est déséquilibré ou trop faible.**

- La tête de lecture n'est-elle pas sale? (→ page 22)

**L'enregistrement est impossible.**

- Un ergot de sécurité de la cassette n'est-il pas absent? (→ page 14)
- La tête d'enregistrement n'est-elle pas sale? (→ page 22)

**L'effacement est impossible.**

- La tête d'effacement n'est-elle pas sale? (→ page 22)
- Une cassette au métal n'est-elle pas utilisée ?

**Il n'y a pas de sons aigus.**

- La tête d'enregistrement/de lecture n'est-elle pas sale? (→ page 22)

**PARTIE LECTEUR DE DISQUES COMPACTS****La lecture ne fonctionne pas.**

- Le disque est-il correctement mis en place? (→ page 12)
- Le disque n'est-il pas sale? (→ page 22)
- N'y a-t-il pas de la condensation sur la lentille?
  - Attendre environ une heure puis essayer de nouveau.

**Pour réinitialiser**

Si une anomalie apparaît sur la fenêtre d'affichage ou dans le magnétocassette, réinitialiser l'appareil de la manière suivante.

- 1 Appuyer sur **POWER** pour couper l'alimentation.
- 2 Tout en appuyant sur **CLEAR**, appuyer sur **POWER** pour remettre l'appareil sous tension. Toutes les données mémorisées après l'achat sont effacées.

Si à l'étape 1 l'alimentation ne peut pas être coupée du fait d'une anomalie, réinitialiser en débranchant le cordon secteur, puis le rebrancher. Ensuite, effectuer l'étape 2.

# SPECIFICATIONS

## Appareil principal CX-NAJ54

### Partie tuner FM

Plage d'accord	87,5 MHz à 108 MHz
Sensibilité utile (IHF)	13,2 dBf
Bornes d'antenne	75 ohms (asymétrique)

### Partie tuner AM

Plage d'accord	530 kHz à 1710 kHz (par pas de 10 kHz) 531 kHz à 1602 kHz (par pas de 9 kHz)
Sensibilité utile	350 µV/m
Antenne	Antenne cadre

### Partie amplificateur

#### Amplificateur des moyennes à hautes fréquences

Puissance de sortie	20 W + 20 W (200 Hz – 20 kHz, D.H.T. inférieure à 1%, 8 ohms)
Distorsion harmonique totale	0,1% (10 W, 1 kHz, 8 ohms, DIN AUDIO)

#### Amplificateur des basses fréquences

Puissance de sortie	60 W + 60 W (50 Hz – 200 Hz, D.H.T. inférieure à 1%, 6 ohms)
Distorsion harmonique totale	0,1% (30 W, 130 Hz, 6 ohms, DIN AUDIO)

#### Entrées

VIDEO/AUX: 500 mV

#### Sorties

SPEAKERS HIGH FREQ:  
acceptent des enceintes de 8 ohms ou plus  
SPEAKERS LOW FREQ:  
acceptent des enceintes de 6 ohms ou plus  
SURROUND SPEAKERS:  
acceptent des enceintes de 8 à 16 ohms  
PHONES (prise stéréo): accepte un casque de 32 ohms ou plus

### Partie magnétocassette

Format de piste	4 pistes, 2 canaux stéréo
Réponse en fréquence	50 Hz – 15000 Hz
Système d'enregistrement	Polarisation CA
Têtes	1 tête de lecture (platine 1) 1 tête d'enregistrement/de lecture, 1 tête d'effacement (platine 2)

### Partie lecteur de disques compacts

Laser	Laser à semi-conducteurs ( $\lambda = 780$ nm)
Convertisseur D/A	1 bit, double
Rapport signal/bruit	85 dB (1 kHz, 0 dB)
Distorsion harmonique	0,05% (1 kHz, 0 dB)

### Généralités

Alimentation électrique	Secteur 120 V, 60 Hz
Puissance absorbée	110 W
Puissance absorbée en attente	Si le mode économie d'énergie est réglé sur ECO OFF: 20 W Si le mode économie d'énergie est réglé sur ECO ON ou ECO AUTO: 0,9 W
Dimensions (L x H x P)	260 x 326 x 346 mm
Poids	8,0 kg

## Enceintes acoustiques SX-WNAJ53

Enceinte acoustique	3 voies, avec haut-parleur infragrave intégré (type à blindage antimagnétique)
Haut-parleurs	Infragrave: cône de 160 mm Large bande: cône de 100 mm Super-tweeter: céramique 20 mm
Impédance	6 ohms / 8 ohms
Sensibilité	87 dB/W/m
Dimensions (L x H x P)	230 x 324 x 282 mm
Poids	4,8 kg

Les spécifications et l'aspect extérieur peuvent être modifiés sans préavis.

### BBE SYSTEM

L'expression "BBE" et le symbole "BBE" sont des marques déposées de BBE Sound, Inc.  
Sous licence de BBE Sound, Inc.p

### DROITS D'AUTEUR

Prière de vérifier les lois sur la propriété artistique relatives à l'enregistrement de disques, de la radio ou de cassettes dans le pays d'utilisation de l'appareil.

## Free Manuals Download Website

<http://myh66.com>

<http://usermanuals.us>

<http://www.somanuals.com>

<http://www.4manuals.cc>

<http://www.manual-lib.com>

<http://www.404manual.com>

<http://www.luxmanual.com>

<http://aubethermostatmanual.com>

Golf course search by state

<http://golfingnear.com>

Email search by domain

<http://emailbydomain.com>

Auto manuals search

<http://auto.somanuals.com>

TV manuals search

<http://tv.somanuals.com>