

ALAMO[®] INDUSTRIAL BRAHMA

BOOM ARM MOWER

Rev 08-07

Part No. 02968822P

PART'S MANUAL



¡ATENCIÓN!

LEA EL INSTRUCTIVO

Si No Lee Ingles, Pida Ayuda a Alguien
Que Si Lo Lea Para Que le Traduzca las
Medidas de Seguridad.



An Operator's Manual was shipped with the equipment in the Manual Canister. This Operator's Manual is an integral part of the safe operation of this machine and must be maintained with the unit at all times. **READ, UNDERSTAND, and FOLLOW** the Safety and Operation Instructions contained in this manual before operating the equipment. If the Operator's Manual is not with the equipment, contact your dealer or Servis-Rhino (800-446-5158) to obtain a Free copy before operating the equipment.

ALAMO INDUSTRIAL

1502 E. Walnut
Seguin, Texas 78155
210-372-3551

A MEMBER OF THE
ALAMO GROUP
ALWAYS ON THE CUTTING EDGE[®]

© 2007 Alamo Group Inc.



Download from www.Somanuals.com. All Manuals Search And Download.

TO THE OWNER/OPERATOR/DEALER

All implements with moving parts are potentially hazardous. There is no substitute for a cautious, safe-minded operator who recognizes the potential hazards and follows reasonable safety practices. The manufacturer has designed this implement to be used with all its safety equipment properly attached to minimize the chance of accidents.

BEFORE YOU START!!

Read the safety messages on the implement and shown in your manual.
Observe the rules of safety and common sense!

 <h1 style="font-size: 4em; margin: 0;">DANGER</h1>			
<p>FAILING TO FOLLOW SAFETY MESSAGES AND OPERATING INSTRUCTIONS CAN CAUSE SERIOUS BODILY INJURY OR EVEN DEATH TO OPERATOR AND OTHERS IN THE AREA.</p>			
<p>1.</p> 	<p>2. NO RIDERS, NO CHILDREN OPERATORS.</p> 	<p>3. USE SAFETY SHOES, HARD HAT, SAFETY GLASSES, SEAT BELTS, & ROPS.</p> 	<p>4. BLOCK UP SECURELY BEFORE WORKING UNDER.</p> 
<p>1. Study and understand Operator's Manuals, Safety Signs, and Instructional Decals for tractor & flail mower to prevent misuse, abuse, & accidents. Practice before operating mower in a confined area or near passersby.</p> <ul style="list-style-type: none"> ● Learn how to stop engine suddenly in an emergency. Be alert for passersby and especially children. <p>2. Allow no children on or near implement of tractor. Allow no riders on tractor or implement. Falling off can cause serious injury or death from being runover by tractor or mower or contact with Flail Mower Blades.</p> <p>3. Operate only with tractor having Roll-Over Protective Structure (ROPS) and with seatbelt fastened securely and snugly to prevent injury and possible death from falling off or tractor overturn. Personal Protective Equipment such as Hard Hat, Safety Glasses, Safety Shoes, and Ear Plugs are recommended.</p> <p>4. Block up or support raised machine and all lifted components securely before putting hands or feet under or working underneath any lifted component to prevent crushing injury or death from sudden dropping or inadvertent operation of controls. Make certain that area is clear before lowering or folding.</p> <p>5. Before transporting, put Lift Lever in detent or full-lift position. Install Transport Safety Devices securely on folding implements. Slowdown when turning and on hillsides.</p> <ul style="list-style-type: none"> ● Install Restrictor in folding circuit to slow down lowering and unfolding if action is faster than is desirable. <p>6. Make certain that SMV sign, Warning Lights, and Reflectors are clearly visible. Follow local traffic codes.</p> <p>7. Never operate with Flail Mower or Folding Section raised if passersby, bystanders or traffic are in the area to reduce possibility of injury or death from objects thrown by Blades under Shields or implement structure.</p> <p>8. Before dismounting, secure flail mower in transport position or lower to ground.</p> <ul style="list-style-type: none"> ● Put tractor in park or set brake, disengage PTO, stop engine, remove key, and wait until noise of rotation has ceased to prevent entanglement in rotating parts which may cause injury or death. ● Never mount or dismount a moving vehicle. Crushing from runover may cause injury or death. 			
<p>5. TRANSPORT SAFELY, LOCK UP.</p> 	<p>6. USE SMV, LIGHTS, & REFLECTORS.</p> 	<p>7. DO NOT OPERATE WITH MOWER OR WING RAISED.</p> 	<p>8. DO NOT MOUNT OR DISMOUNT WHILE MOVING.</p> 
002369			

WARRANTY INFORMATION:

Read and understand the complete Warranty Statement found in this Manual. Fill out the Warranty Registration Form in full and return it within 30 Days. Make certain the Serial Number of the Machine is recorded on the Warranty Card and on the Warranty Form that you retain. The use of "will-fit" parts will void your warranty and can cause catastrophic failure with possible injury or death.

PARTS SECTION

PARTS ORDERING GUIDE

The following instructions are offered to help eliminate needless delay and error in processing purchase orders for the equipment in this section.

1. The Parts Section is prepared in logical sequence and grouping of parts that belong to the basic machine featured in this manual. Part Numbers and Descriptions are given to help locate the parts and quantities required.
2. The Purchase Order must include the name and address of the person or organization ordering the parts, who should be charged, and if possible, the serial number of the machine for which the parts are ordered.
3. The Purchase Order must clearly list the quantity of each part, the complete and correct part number (be sure to include all periods), and the basic name of the part.
4. The Manufacturer reserves the right to substitute parts where applicable.
5. Some parts are unlisted items which are special production items not normally stocked and are subject to special handling. Request a quotation for such parts before sending a Purchase Order.
6. The Manufacturer reserves the right to change prices without prior notice.

NOTE: Please refer to The Safety Section in the front of this Manual for the proper Part Number when ordering Replacement Safety Decals.



For maximum safety and to guarantee optimum product reliability, always use genuine Servis-Rhino Parts. The use of inferior replacement parts may cause premature or catastrophic failure which could result in serious injury or death. Direct any questions regarding parts to:

ALAMO INDUSTRIAL

ALAMO INDUSTRIAL

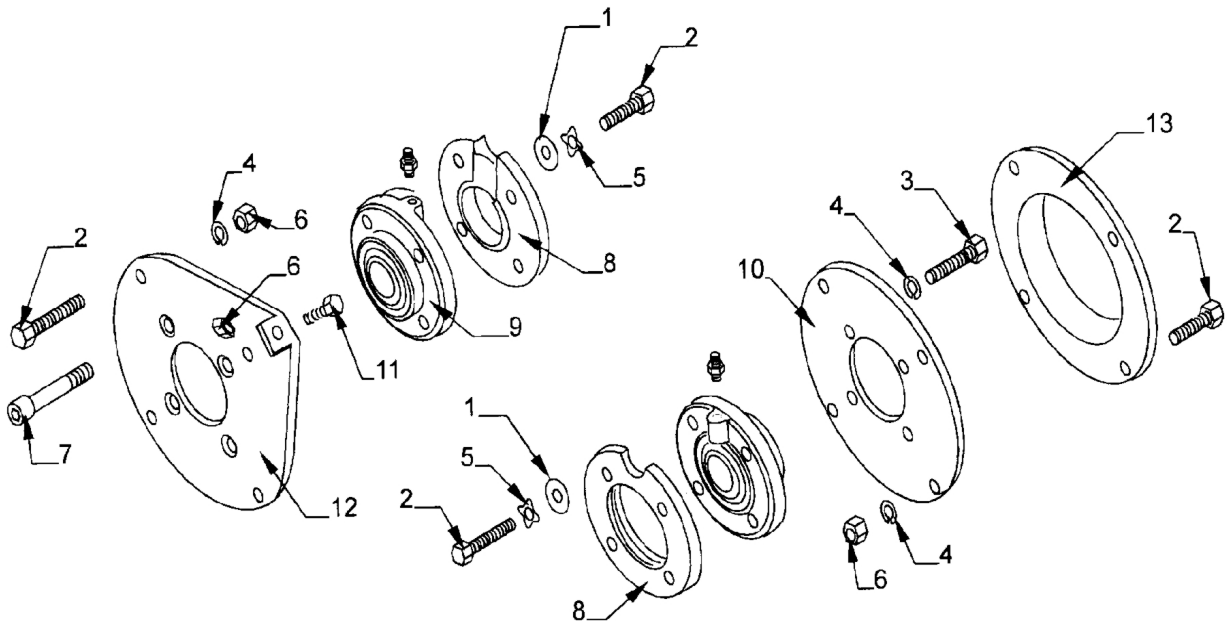
1502 E. Walnut
Seguin, Texas 78155
830-379-1480



PART NAME INDEX

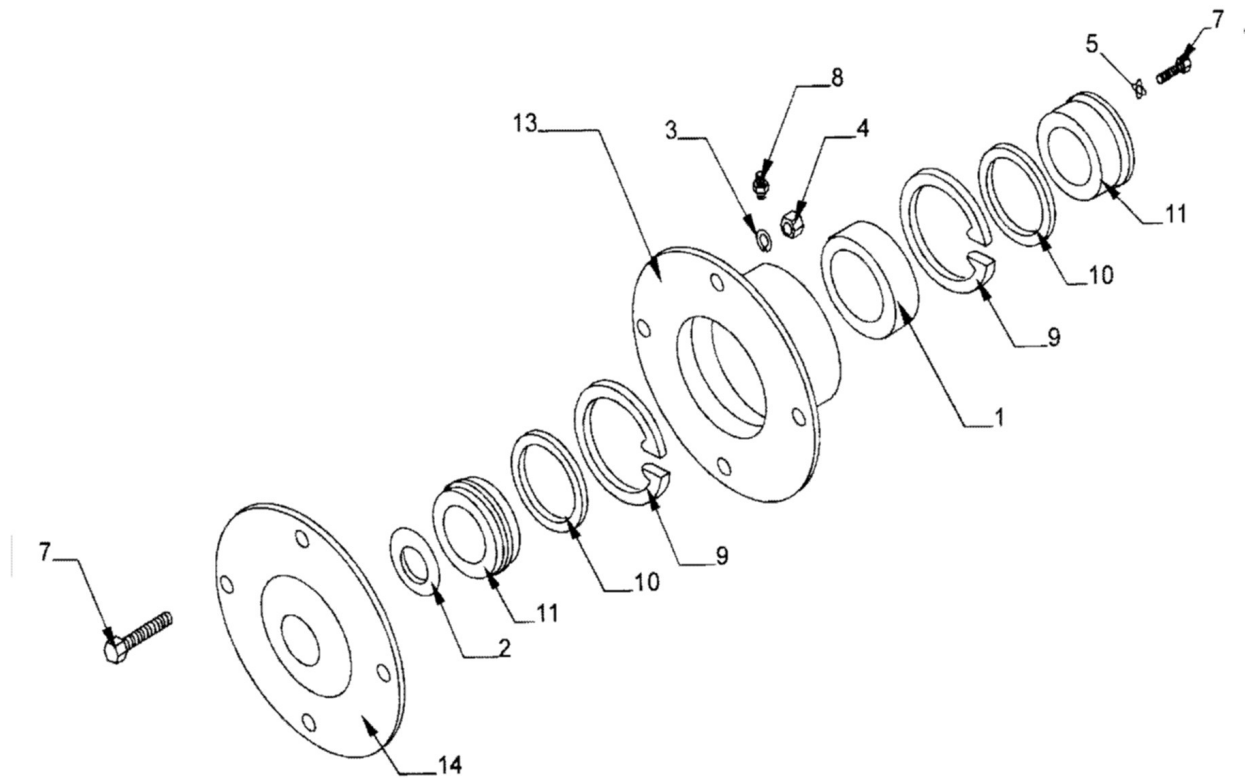
BEARING ASY - 1500 FLAIL HEAD.....	4
BEARING ASY - 2000 FLAIL HEAD.....	5
BLADE CARRIER ASY - BAR PN 02965737.....	6
BLADE CARRIER ASY - PAN PN 02964456.....	7
CHAIN GUARD ASY - FRONT (DEEP DECK) PN 02965797.....	8
COMMON BOX PARTS PN 02969093.....	10
CONTROL VALVE ASY PN 02969613 SN 01241 (05-06) & DOWN.....	12
CONTROL VALVE ASY PN 02981363 SN 01242 (06-06) & UP.....	14
CYLINDER ASY - LIFT.....	16
CYLINDER ASY - TILT.....	17
FLAIL HEAD ASY PN 02968984 - 60 INCH PART 1.....	18
FLAIL HEAD ASY PN 02968984 - 60 INCH PART 2.....	20
FLAIL HEAD SUB-ASY 1500.....	22
FLAIL HEAD SUB-ASY 2000.....	24
GAUGE WHEEL - SIDE PN 02966070 (OPTIONAL).....	26
HYDRAULIC TANK SUB-ASY PN 02981211.....	27
MOTOR & SPINDLE ASY PN 02969096.....	28
MOTOR ASY - FLAIL HEAD.....	30
MOUNTING ARM ASY PN 02979631.....	32
OIL RESERVOIR ASY PN 02968168.....	34
PULLEY ASY - FLAIL HEAD 1500 & 2000.....	36
ROLLER ASY - FLAIL HEAD 1500 & 2000.....	37
ROLLER ASY - ROTARY HEAD (OPTION).....	38
ROTARY HEAD - MOTOR ASY (PARTS) - PN 02979881 PART 1.....	40
ROTARY HEAD - MOTOR ASY (PARTS) - PN 02979881 PART 2.....	42
ROTARY HEAD ASY.....	44
ROTARY HEAD ASY (NEW STYLE).....	46
ROTARY HEAD PRE-ASY (NEW STYLE).....	48
ROTARY HEAD SUB-ASY.....	50
ROTOR SHAFT ASY - FLAIL HEAD 60 INCH.....	52
ROTOR SHAFT ASY - FLAIL HEAD 80 INCH.....	53
SERVO CONTROLLED PISTON PUMP ASY PN 02969527A PART 1.....	54
SERVO CONTROLLED PISTON PUMP ASY PN 02969527A PART 2.....	56
SPINDLE & HOUSING ASY PN 02960553B.....	58

BEARING ASY - 1500 FLAIL HEAD



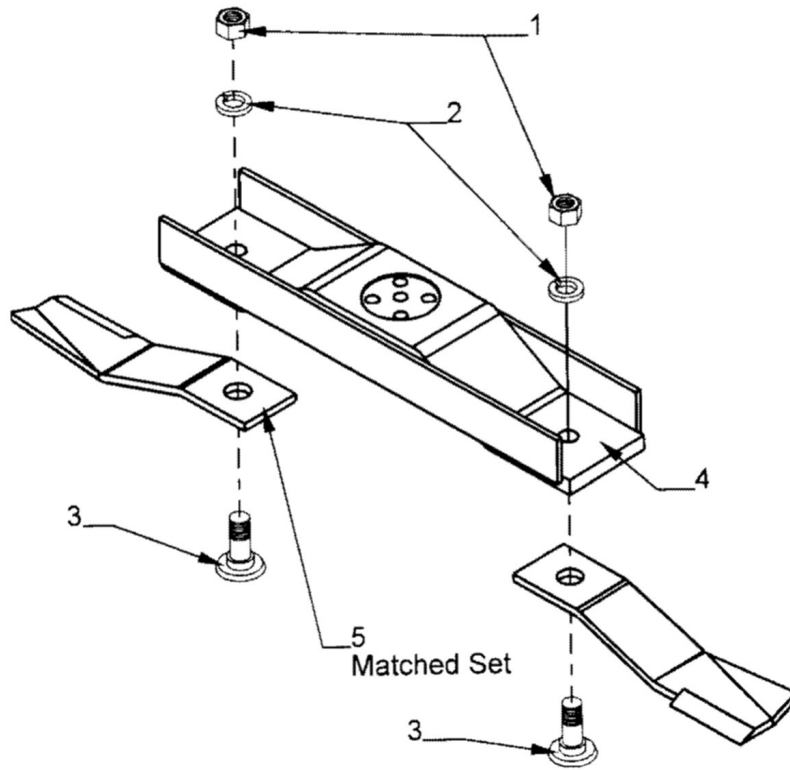
ITEM	PART NO.	QTY.	DESCRIPTION
1	02.824.01	2	WASHER
2	05.264.23	10	SETSCREW
3	05.264.25	4	SETSCREW
4	05.282.03	12	SPRING WASHER
5	05.283.03	2	SHAKEPROOF WASHER
6	05.286.03	10	NUT
7	05.345.05	4	SOCKET CSK SCREW
8	06.219.01	2	DISC-SHIELD
9	06.221.01	2	BEARING ASY. (DRIVE OR NON-DRIVE END)
10	09.584.01	1	BEARING PLATE-NON DRIVE
11	09.585.01	1	ADJUSTING-BOLT
12	09.586.01	1	BEARING PLATE-DRIVE END
13	09.588.01	1	GUARD - NON DRIVE

BEARING ASY - 2000 FLAIL HEAD



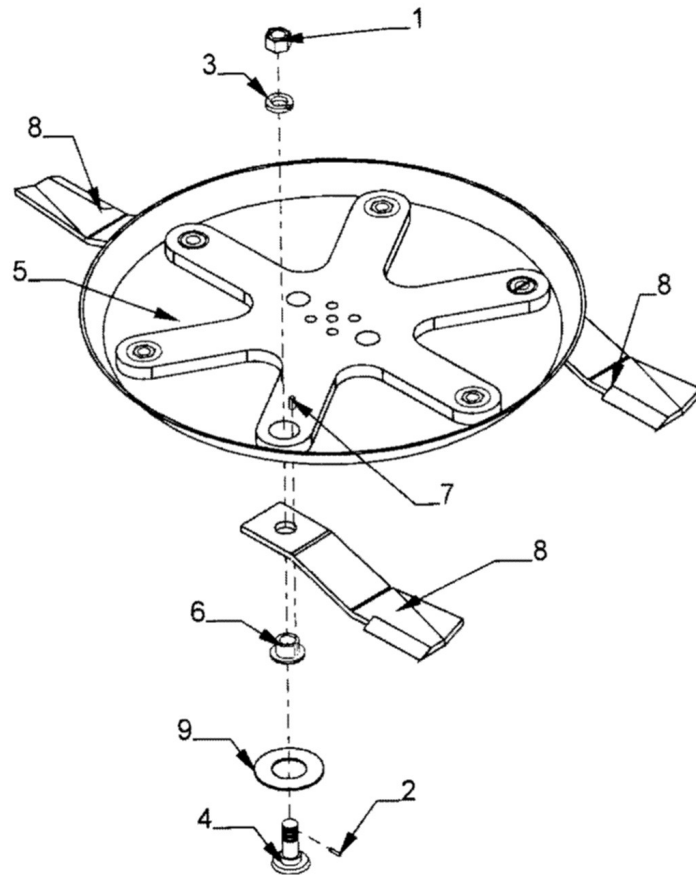
ITEM	PART NO.	QTY.	DESCRIPTION
1	04.163.04	2	BEARING
2	04.252.01	2	WASHER
3	05.282.03	8	SPRING WASHER
4	05.286.03	10	NUT
5	05.283.04	2	WASHER
6	05.264.23	4	SETSCREW
	05.264.24	4	SETSCREW
7	05.264.33	2	SETSCREW
8	05.953.03	2	GREASE NIPPLE
9	05.959.07	4	CIRCLIP
10	06.909.01	4	SEAL
11	06.910.01	4	COLLAR
12	09.585.01	1	ADJUSTING BOLT
13	41456.01	1	HOUSING
	41457.01	1	HOUSING
14	41461.01	1	GUARD

BLADE CARRIER ASY - BAR PN 02965737



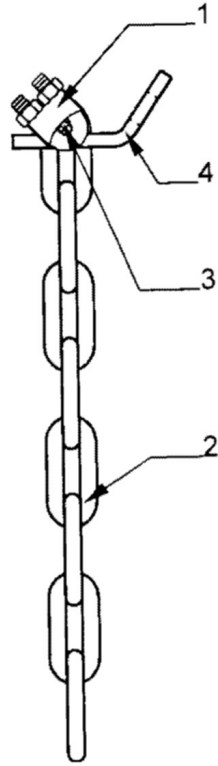
ITEM	PART NO.	QTY.	DESCRIPTION
	02965737	1	BLADE BAR ASY
1	00747900	2	HEX NUT
2	00748000	2	HEAVY LOCKWASHER
3	00752827	2	BLADE BOLT (TORQUE TO 600 FT LBS)
4	02965579	1	BLADE BAR WLD'MT
5	02966262	1	BLADES (MATCHED SET)

BLADE CARRIER ASY - PAN PN 02964456



ITEM	PART NO.	QTY.	DESCRIPTION
	02964456	1	BLADE PAN ASY. W/ BLADES
1	00020900	3	SLOTTED NUT
2	00023200	3	ROLL PIN
3	00755623	3	WASHER
4	02964330	3	KEYED BLADE BOLT (TORQUE TO 600 FT LBS)
5	02964804	1	BLADE PAN ASY. W/O BLADES
6	02964815	3	BLADE BOLT BUSHING
7	02964954	3	KEY
8	02964960	1	BLADES (MATCHED SET)
9	02965229	3	WEAR WASHER

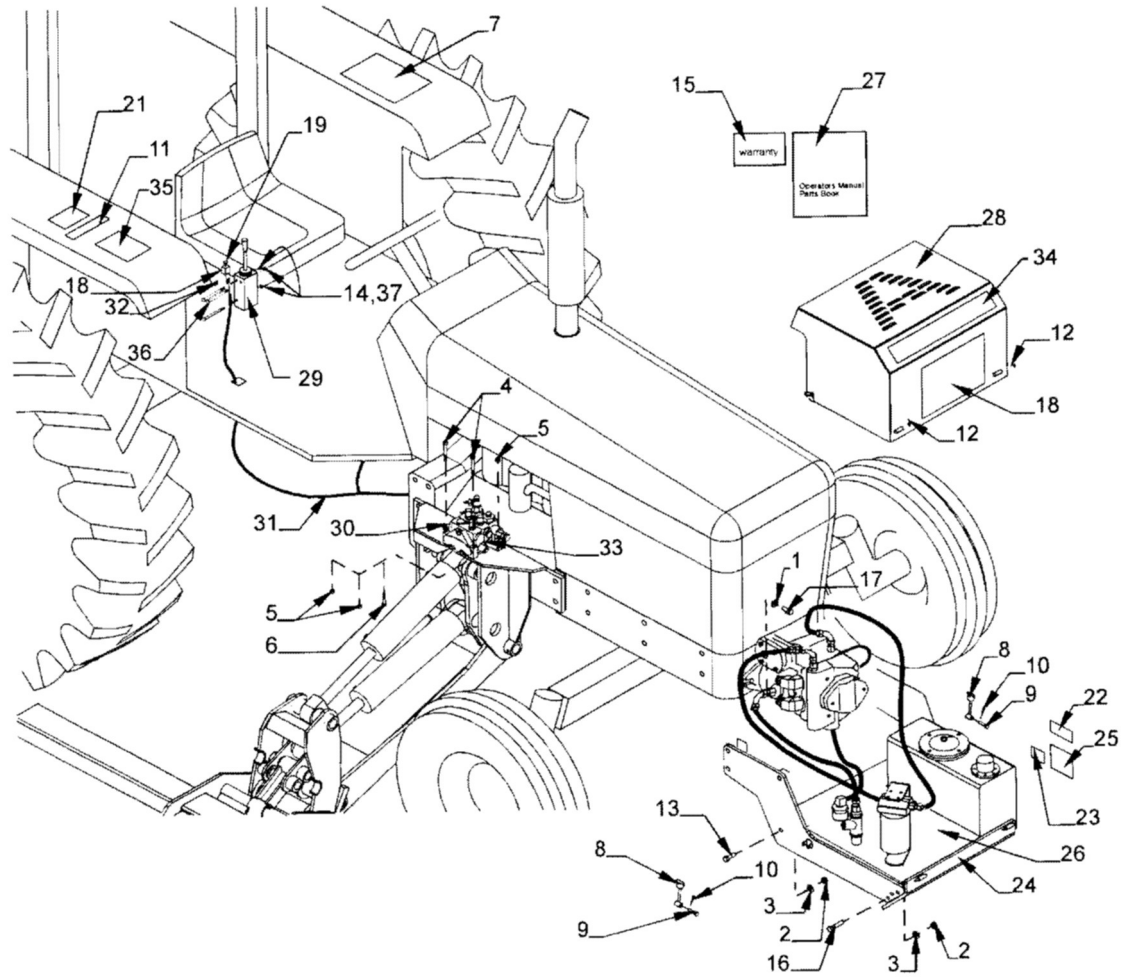
CHAIN GUARD ASY - FRONT (DEEP DECK) PN 02965797



ITEM	PART NO.	QTY.	DESCRIPTION
1	00001000	4	CABLE CLAMP
2	00751127	71	CHAIN 5/16 WLD 8 LINK ZINC PL
3	00992000	11	CABLE, 1/4 GA AIRCRAFT (7X19)
4	02979119	1	BRKT,CHAIN GUARD DEEP DECK

THIS PAGE INTENTIONAL LEFT BLANK

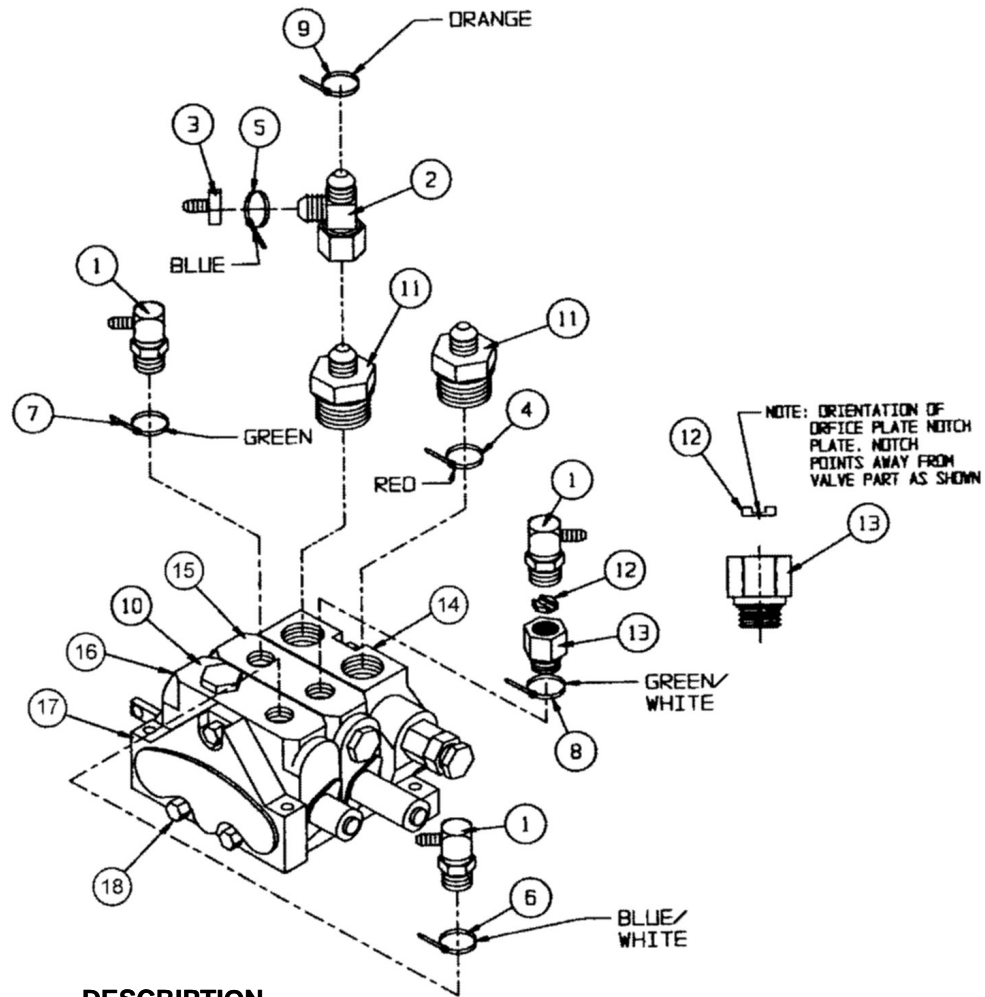
COMMON BOX PARTS PN 02969093



COMMON BOX PARTS PN 02969093

ITEM	PART NO.	QTY.	DESCRIPTION
	02969093	1	COMMON BOX, BRAHMA
1	00001300	2	LOCKWASHER
2	00001800	8	LOCKNUT
3	00002700	8	FLATWASHER
5	00750940	3	NUT
6	00016300	3	BOLT
7	002369	1	DECAL, DANGER MULTI-HAZARD - FLAIL
	02967827	1	DECAL, DANGER MULTI-HAZARD - ROTARY
8	00725336	2	STRAP
9	00725337	2	PIN
10	00725338	2	COTTER PIN
11	00725746	1	DECAL, SPANISH TRANSLATION
12	00726119	2	BRASS WASHER, SPECIAL
13	00748823	2	BOLT
14	00750940	6	LOCKNUT
15	00763504	1	ALAMO, WARRANTY CARD
16	02027400	6	BOLT
17	02776600	2	BOLT
18	02963201	1	DECAL, AG LOGO
19	02964028	1	PUSH-PULL SWITCH
20	02964063	1	SWITCH KNOB
21	02965093	1	DECAL, PROPER ENGINE RPM
22	02965262	1	DECAL, WARNING HOSE BURST
23	02979473	1	DECAL, AW ISO VG100 TRACTER HYD.FLUID
24	02966634	1	BUMPER WLD'MT
25	03200437	1	DECAL, PRESSURIZED TANK
26	02981212	1	OIL RESERVOIR ASY - BRAHMA
27	02968822	1	PARTS & OPERATORS MANUAL
28	02969032	1	TANK & PUMP COVER WLD'MT
29	02969128	1	DUAL AXIS - JOYSTICK
29A	02974119	1	BALL JOINT PIVOT - PLASTIC BALL (NOT SHOWN)
29B	02974120	1	BALL JOINT PIVOT - DIE CAST METAL (NOT SHOWN)
30	02971274	2	CABLE CONNECTION KIT
31	02970204	1	PUMP SOLENOID - WIRE HARNESS (INCLUDES ITEM 32)
32	02969741	1	FUSE (REFERENCE ONLY)
33	02981363	1	2 SPOOL VALVE ASY - BRAHMA
34	02969646	1	DECAL, NAME BRAHMA
35	02969666	1	DECAL, JOYSTICK INSTRUCTIONS
36	02733700	3	BOLT
37	00023500	9	FLATWASHER

CONTROL VALVE ASY PN 02969613 SN 01241 (05-06) & DOWN



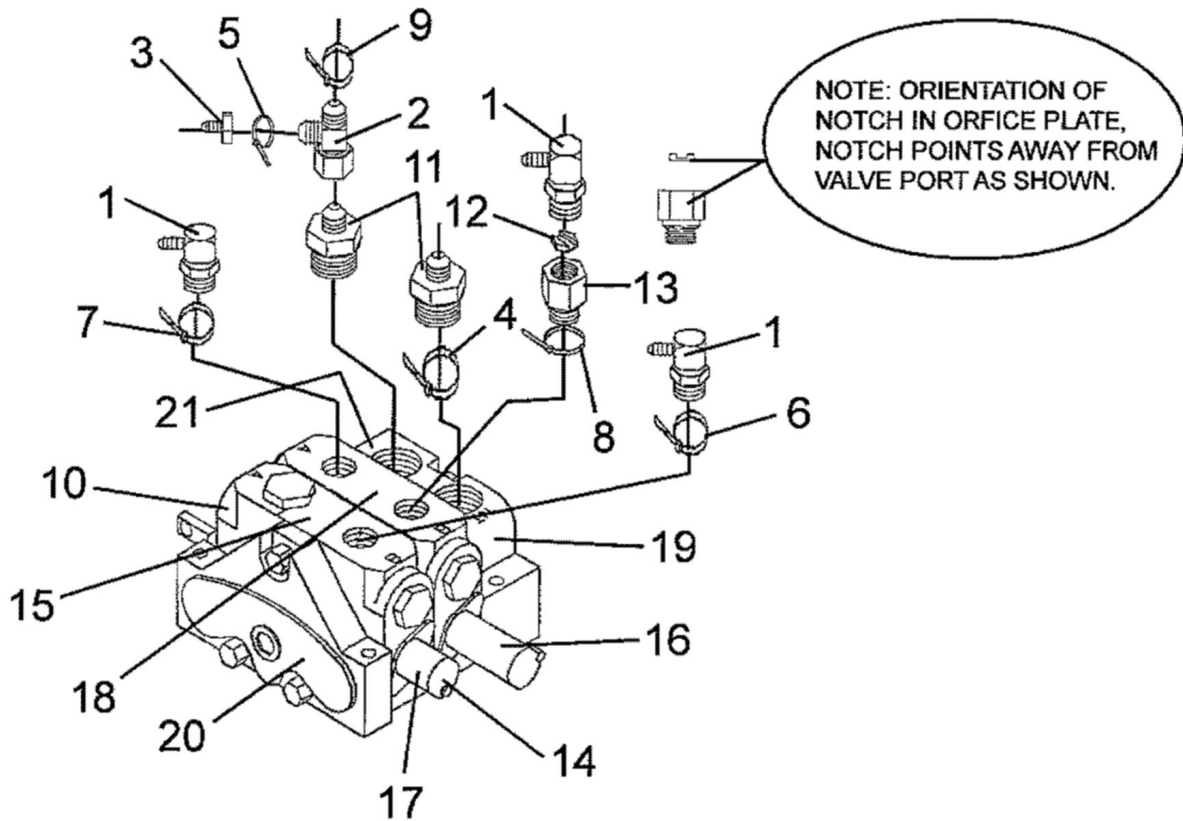
ITEM	PART NO.	QTY.	DESCRIPTION
	02981363	1	CONTROL VALVE ASY
1	02962249	3	ADAPTER, HYD ELBOW
2	02967150	1	ADAPTER, HYD TEE
3	02967151	1	ADAPTER, HYD STRAIGHT
4	02968828	1	TIE, PLASTIC 4"LG - RED
5	02968830	1	TIE, PLASTIC 4"LG - BLUE
6	02968831	1	TIE, PLASTIC 4"LG - BLUE/WHITE
7	02968832	1	TIE, PLASTIC 4"LG - GREEN
8	02968833	1	TIE, PLASTIC 4"LG - GREEN/WHITE
9	02968834	1	TIE, PLASTIC 4"LG - ORANGE
10	02969131	1	DIRECTIONAL CONTROL VALVE
11	63042700	2	ADAPTER, HYD STRAIGHT
12	02969399	1	RESTRICTOR-ORFICE, ONE WAY
13	02972159	1	ADAPTER, HYD ELBOW
14	02979336	1	INLET
15	02979337	1	DOUBLE ACTION FLOAT

CONTROL VALVE ASY PN 02969613 SN 01241 (05-06) & DOWN

Continued...

ITEM	PART NO.	QTY.	DESCRIPTION
16	02979338	1	SINGLE ACTION
17	02979339	1	OUTLET COVER
18	02979340	3	STUD ASY.

CONTROL VALVE ASY PN 02981363 SN 01242 (06-06) & UP



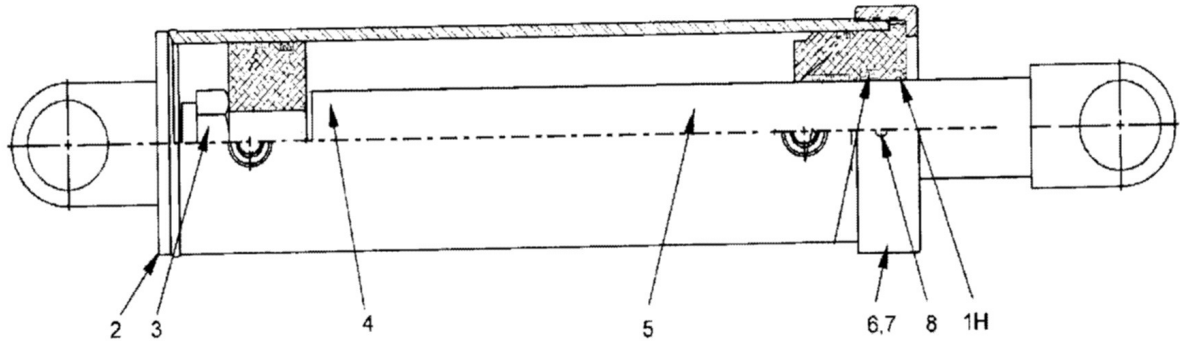
ITEM	PART NO.	QTY.	DESCRIPTION
	02981363	1	CONTROL VALVE ASY.
1	02962249	3	HYD. ADAPTER ELBOW
2	02967150	1	HYD. ADAPTER TEE
3	02967151	1	HYD. ADAPTER STRAIGHT
4	02968828	1	PLASTIC TIE 4"LG - RED
5	02968830	1	PLASTIC TIE 4"LG - BLUE
6	02968831	1	PLASTIC TIE 4"LG - BLUE/WHITE
7	02968832	1	PLASTIC TIE 4"LG - GREEN
8	02968833	1	PLASTIC TIE 4"LG - GREEN/WHITE
9	02968834	1	PLASTIC TIE 4"LG - ORANGE
10	02980906	1	DIRECTIONAL CONTROL VALVE
11	63042700	2	HYD. ADAPTER STRAIGHT
12	02969399	1	ONE WAY RESTRICTOR-ORFICE
13	02972159	1	HYD. ADAPTER ELBOW
14	02962596	1	DETENT CAP 02908600 VALVE
15	02984398	1	VALVE SECTION TILT
16	02958734	1	SPOOL POSITIONER KIT 4-POS DET
17	02750100	1	DETENT KIT

CONTROL VALVE ASY PN 02981363 SN 01242 (06-06) & UP

Continued...

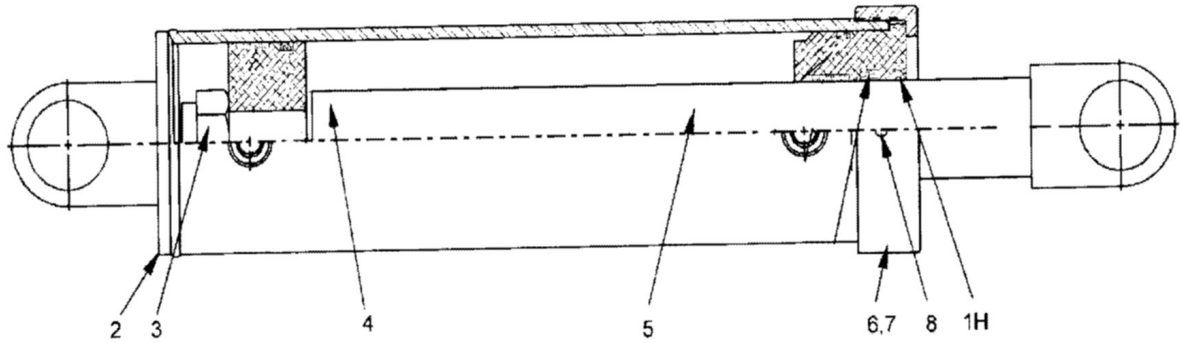
ITEM	PART NO.	QTY.	DESCRIPTION
18	02984421	1	VALVE SECTION LIFT
19	02046700	1	VALVE END PLATE
20	02884397	1	MAIN RELIEF - 3000 PSI
21	02984396	1	VALVE SECTION-INLET COVER
22	02918400	2	VALVE HANDLE FROM 02908600
23	02966875	2	VALVE HANDLE CONNECTION KIT

CYLINDER ASY - LIFT



ITEM	PART NO.	QTY.	DESCRIPTION
	02968032A	1	HYD. LIFT CYL.(10-1/2" STROKE)
1	02975531	1	SEAL KIT
2	02975464	1	TUBE WLD'MT (LIFT CYL.)
3	1917155	1	LOCKNUT
4	02975456	1	PISTON
5	02975458	1	ROD WLD'MT (LIFT CYL.)
6	02975449	1	HEAD GLAND (LIFT CYL.)
7	02968803	2	BUSHINGS

CYLINDER ASY - TILT

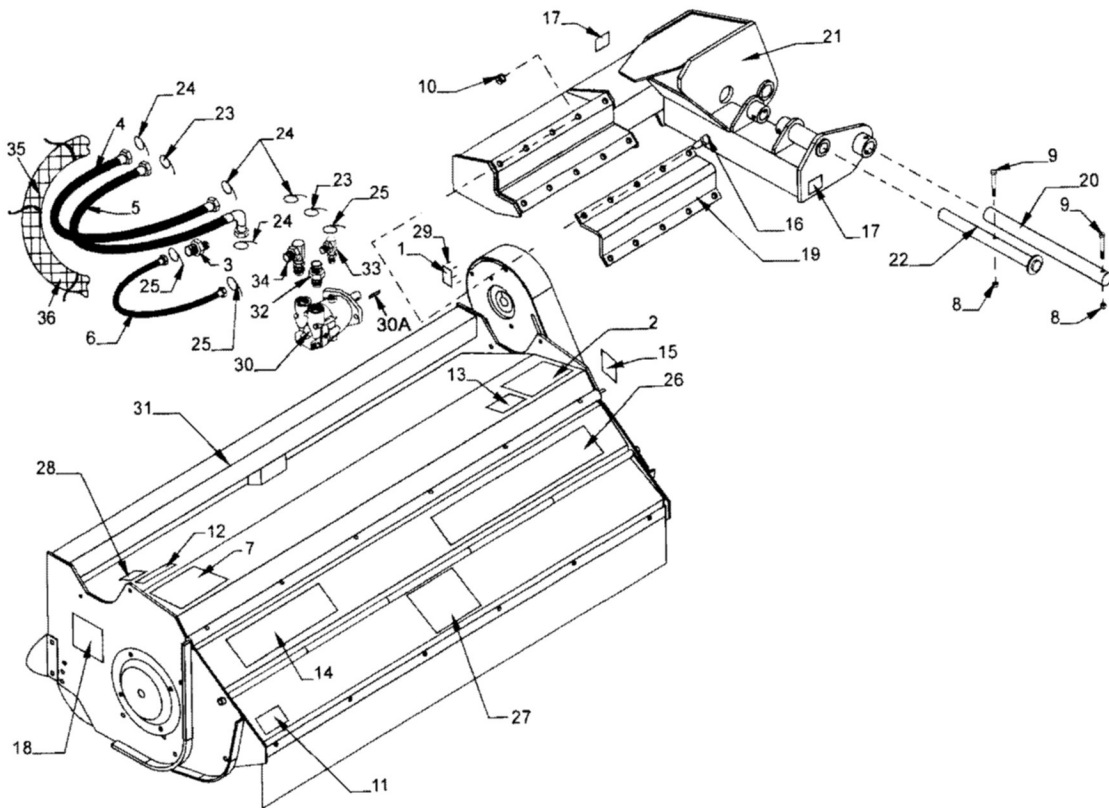


ITEM	PART NO.	QTY.	DESCRIPTION
	02968024A	1	HYD. TILT CYL. (12-13/16" STROKE)
1	02975531	1	SEAL KIT
2	02975550	1	TUBE WLD'MT (TILT CYL.)
3	1917155	1	LOCKNUT
4	02975456	1	PISTON
5	02975549	1	ROD WLD'MT (TILT CYL.)
6	02975459	1	HEAD GLAND (TILT CYL.)
7	02968803	2	BUSHINGS

FLAIL HEAD ASY PN 02968984 - 60 INCH PART 1

ITEM	PART NO.	QTY.	DESCRIPTION
	02968984	1	HEAD ASY, 60" FLAIL (1500 HEAD)
	02968985	1	HEAD ASY, 80" FLAIL (2000 HEAD)
1	NFS	1	SERIAL PLATE - BRAHMA
2	000108	1	DECAL, OPERATING INSTRUCTIONS , FLAIL
3	02969464	1	ADAPTER REDUCER
4	02979128	1	PRESSURE HOSE (RED)
5	02979127	1	RETURN HOSE, W/90 DEG ELBOW (ORANGE)
6	02970705	1	CASE DRAIN HOSE (BLUE)
7	002369	1	DECAL, MULTI-HAZARD FLAIL
8	00015800	2	LOCKNUT
9	00059900	2	BOLT
10	00695100	10	LOCKNUT
11	00725739	1	DECAL, USE REPAIR SHIELDS / GUARDS
12	00725746	1	DECAL, SPANISH, TRANSLATE SAFETY MATERIAL
13	00756059	1	DECAL, DANGER OIL LEAK
14	00757139	1	DECAL, ALAMO GROUP (5X19)
15	00758194	1	DECAL, PINCH POINT V-BELT
16	02845500	10	HEX BOLT
17	02962764	2	DECAL, PINCH POINT SCISSORS
18	02967668	1	DECAL, CUTTING BLADES / THROWN OBJECTS , FLAIL
19	02976663	1	CLAMP PLATE
20	02968274	1	MOWER HEAD MOUNT PIN
21	02976694	1	MOWER HEAD MOUNT WLD'MT
22	02968561	1	HEAD LINK PIN WLD'MT
23	02968896	3	PLASTIC TIE - ORANGE
24	02968894	3	PLASTIC TIE - RED
25	02968895	3	PLASTIC TIE - BLUE
26	02969647	1	DECAL, BRAHMA 30"
27	02969648	1	DECAL, BRAHMA PICTURE
28	03200432	1	DECAL, USE GENUINE PARTS FLAIL
29	3710151	4	METAL TACK
30	8301295	1	PISTON MOTOR - INCLUDES THE FOLLOWING :
30A	02964954	1	MOTOR KEY (REFERENCE ONLY)
31	90.162.12	1	FLAIL HEAD - INCLUDES THE FOLLOWING (5 ITEMS)
	72.736.01	1	BEARING ASY.
	72.740.02	1	ROLLER ASY. 1500
	72.753.01	1	ROTOR SHAFT ASY. 1500
	76.114.01	1	COWL ASY. 1500
	76.154.01	1	MOTOR,PULLEY & BELT ASY.
31A	90.282.12	1	FLAIL HEAD 2000 * - INCLUDES THE FOLLOWING (5 ITEMS)
	76.115.01	1	MOTOR,PULLEY & BELT ASY.
	76.117.01	1	COWL ASY 2000
	76.118.01	1	BEARING ASY

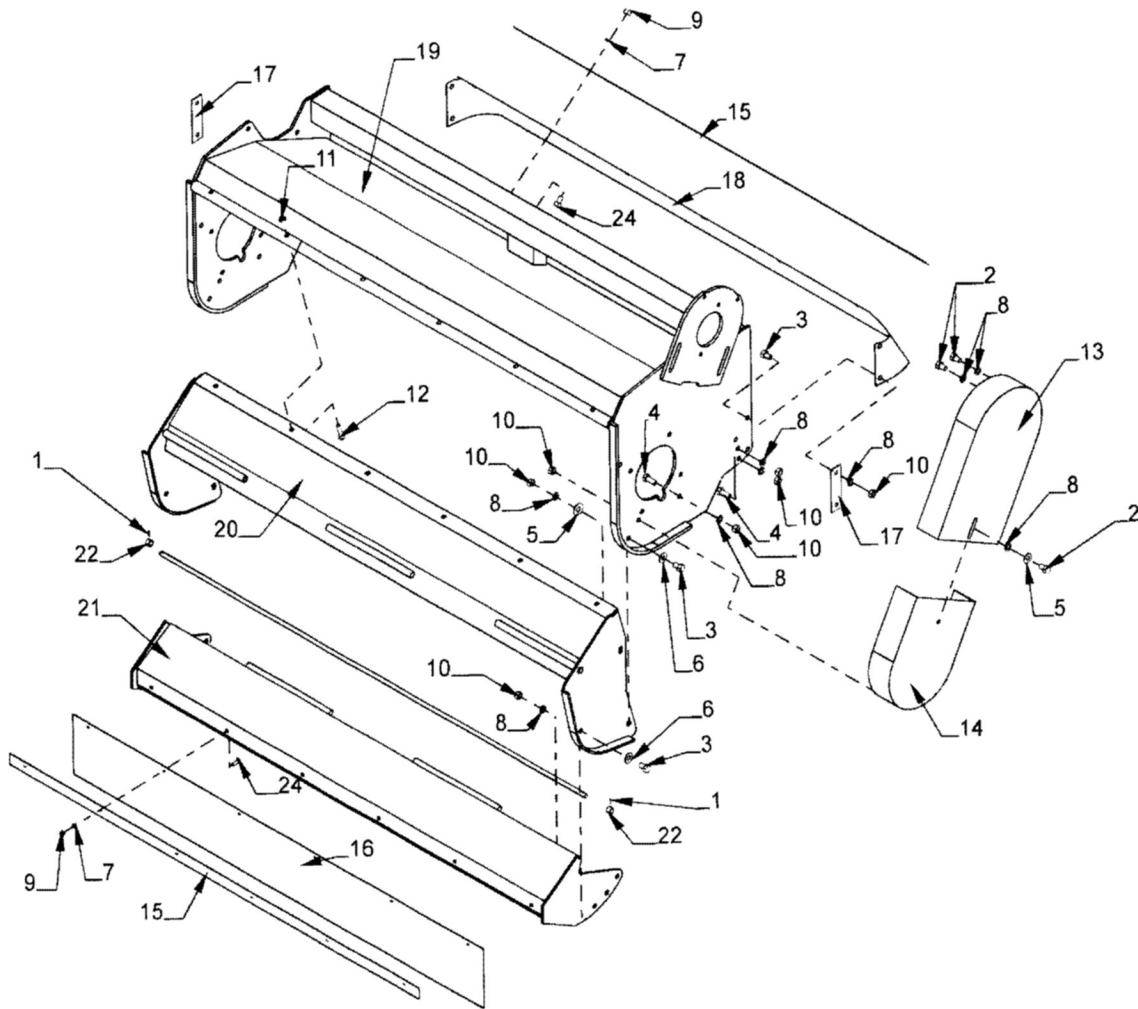
FLAIL HEAD ASY PN 02968984 - 60 INCH PART 2



FLAIL HEAD ASY PN 02968984 - 60 INCH PART 2

ITEM	PART NO.	QTY.	DESCRIPTION
	76.119.01	1	ASY,ROTOR SHAFT 4934
	76.155.01	1	ASY,ROLLER 2000 4934
32	02957622	1	ADP HYD STGHT 16MB-16MJ
33	02962213	1	ADP HYD ELBOW 8MB - 8MJ 90°
34	02090900	1	ADP HYD ELBOW 16MB-16MJ90
35	02961085	1	CORDURA SLEEVING-54 LG
36	02775500	3	PLASTIC TIE 21 LG.

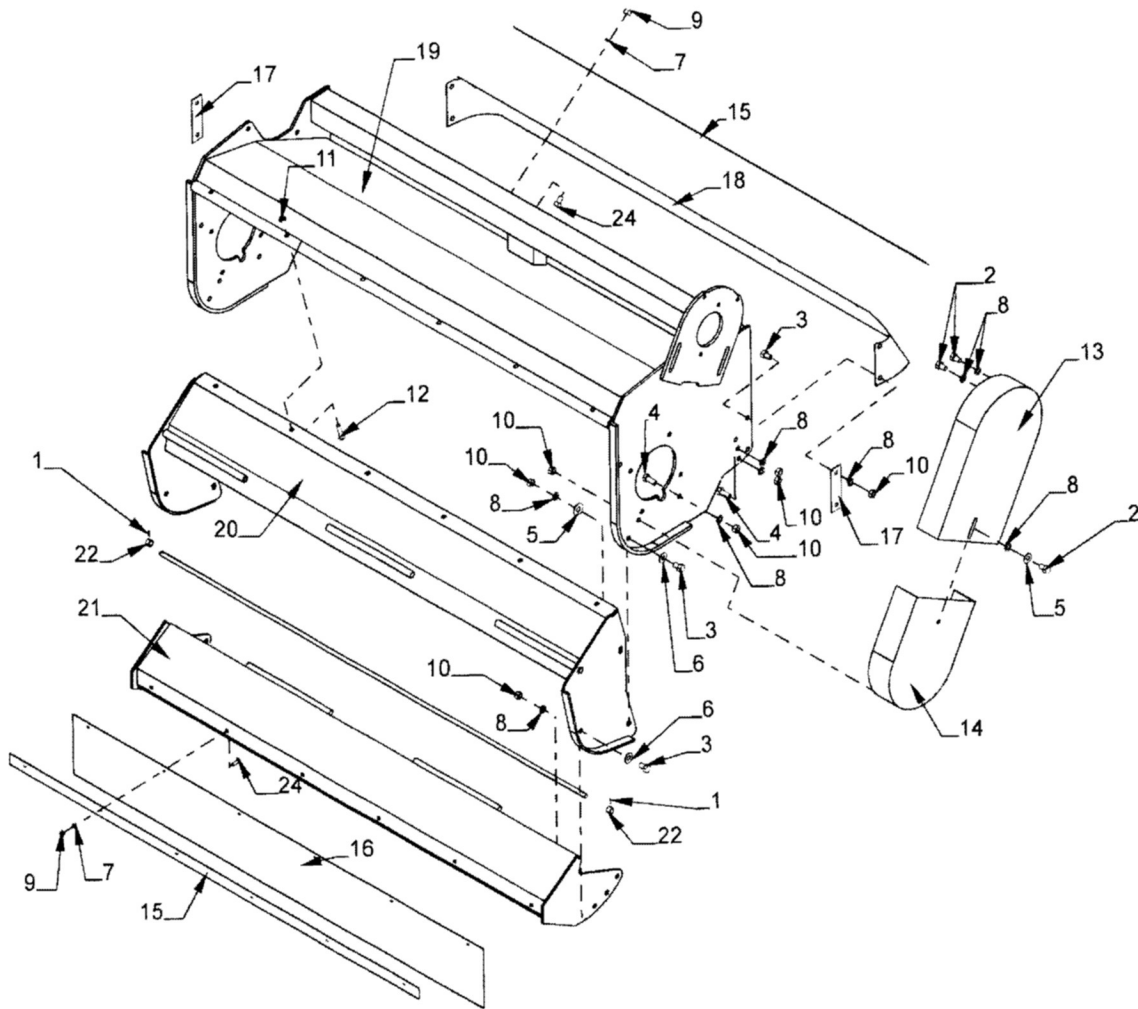
FLAIL HEAD SUB-ASY 1500



FLAIL HEAD SUB-ASY 1500

ITEM	PART NO.	QTY.	DESCRIPTION
1	05.201.17	2	TENSION PIN
2	05.264.21	3	SETSCREW
3	05.264.23	10	SETSCREW
4	05.264.24	6	SETSCREW
5	05.281.03	5	FLATWASHER - PLATED
6	05.281.04	6	FLATWASHER - PLATED
7	05.282.01	12	SPRING WASHER - PLATED
8	05.282.03	20	SPRING WASHER - PLATED
9	05.286.01	16	PLATED NUT
10	05.286.03	17	PLATED NUT
11	05.287.02	6	SELF - LOCKING NUT
12	05.839.24	6	BOLT CUP SQUARE
13	09.589.01	1	TOP DRIVE, GUARD
14	09.590.01	1	BOTTOM DRIVE, GUARD
15	09.594.02	2	BACKING STRIP - 1500
16	09.595.02	1	FLEXIBLE GUARD - 1500
17	41418.01	2	CLAMP GUARD
18	41424.01	1	FLEXIBLE GUARD - 1500
19	41425.01	1	COWL - 1500
20	41429.01	1	FRT FIXED GUARD - 1500
21	41430.01	1	FRT ADJ GUARD - 1500
22	41436.01	2	FRT GUARD - PIVOT SPACER
23	41438.01	1	FRT GUARD - PIVOT PIN
24	9293054	12	BOLT CUP SQUARE

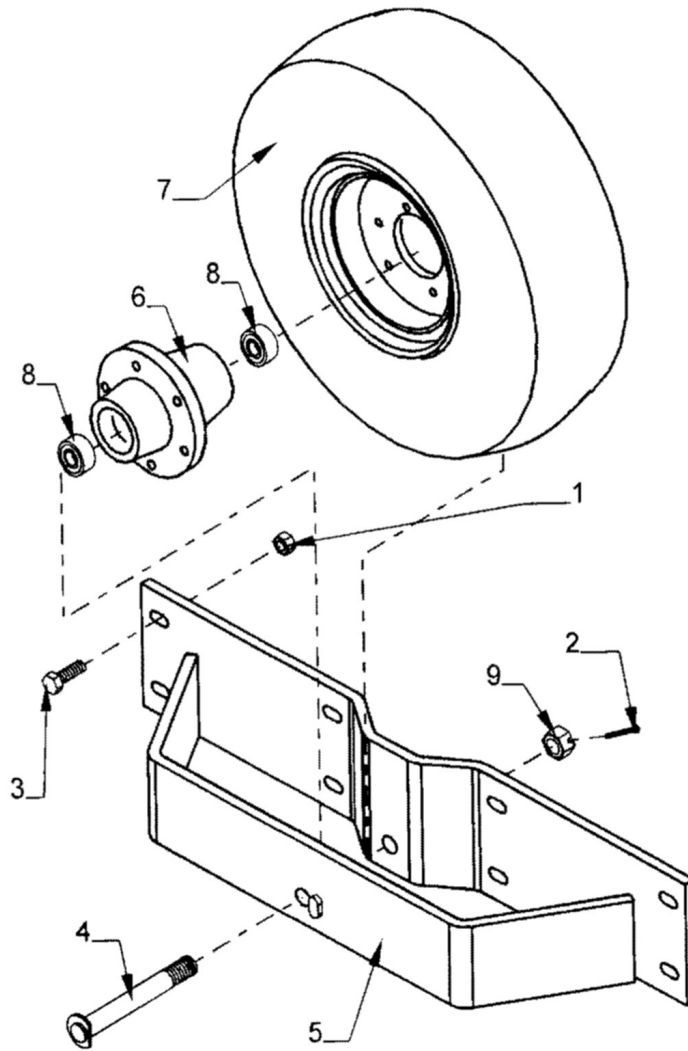
FLAIL HEAD SUB-ASY 2000



FLAIL HEAD SUB-ASY 2000

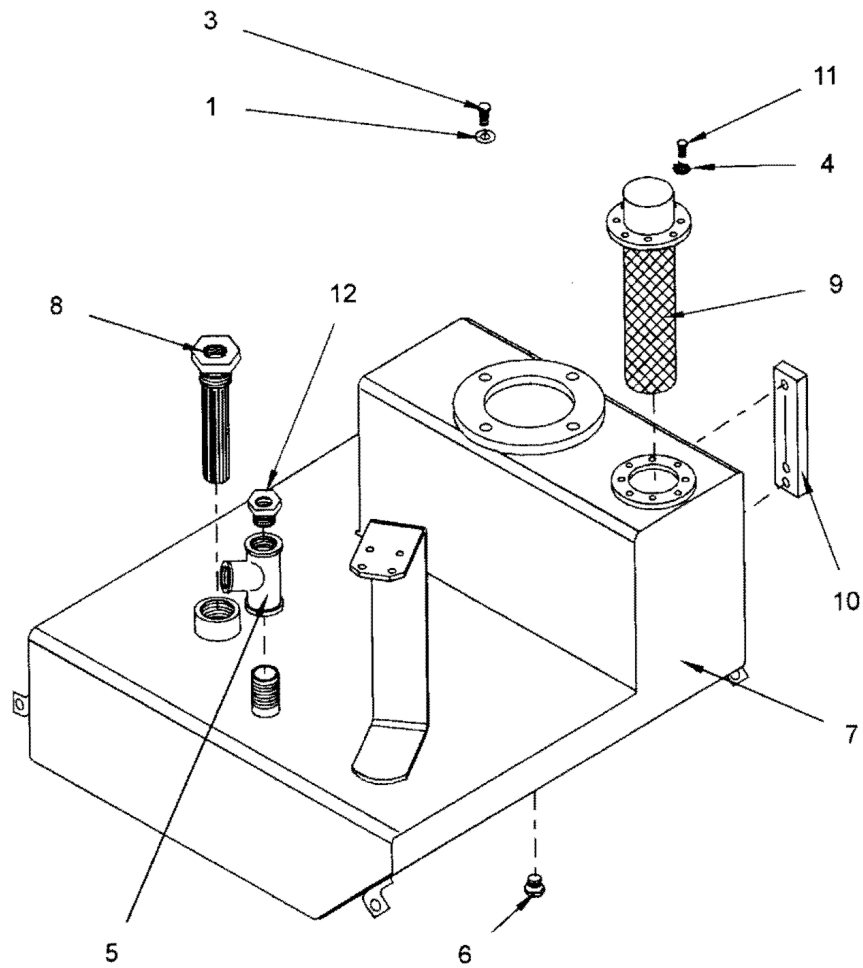
ITEM	PART NO.	QTY.	DESCRIPTION
1	05.201.17	2	TENSION PIN
2	05.264.21	3	SETSCREW
3	05.264.23	10	SETSCREW
4	05.264.24	6	SETSCREW
5	05.281.03	5	FLATWASHER - PLATED
6	05.281.04	8	FLATWASHER - PLATED
7	05.282.01	16	SPRING WASHER - PLATED
8	05.282.03	20	SPRING WASHER - PLATED
9	05.286.01	16	PLATED NUT
10	05.286.03	17	PLATED NUT
11	05.287.02	8	SELF - LOCKING NUT
12	05.839.24	8	BOLT CUP SQUARE
13	09.589.01	1	TOP DRIVE, GUARD
14	09.590.01	1	BOTTOM DRIVE, GUARD
15	41.237.01	2	BACKING STRIP - 2000
16	41.063.01	1	FLEXIBLE GUARD - 2000
17	41418.01	2	CLAMP GUARD
18	41452.01	1	FLEXIBLE GUARD - 2000
19	41445.01	1	COWL - 2000
20	41453.01	1	FRT FIXED GUARD - 2000
21	41454.01	1	FRT ADJ GUARD - 2000
22	41436.01	2	FRT GUARD - PIVOT SPACER
23	41444.01	1	FRT GUARD - PIVOT PIN
24	9293054	16	BOLT CUP SQUARE

GAUGE WHEEL - SIDE PN 02966070 (OPTIONAL)



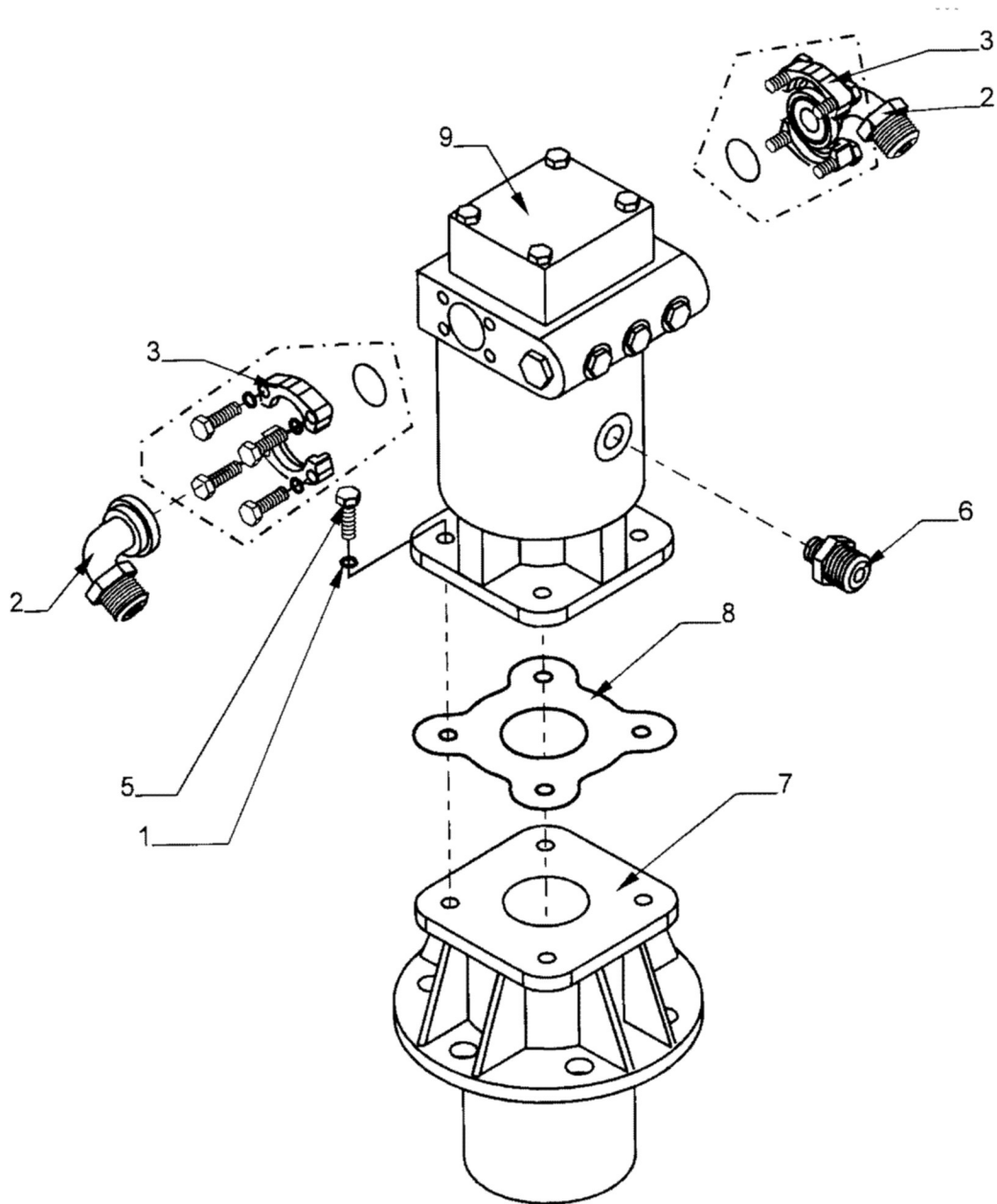
ITEM	PART NO.	QTY.	DESCRIPTION
	02966070	1	GAUGE WHEEL, SIDE MOUNT, DEEP DECK
1	00001800	8	LOCKNUT
2	00606000	1	COTTERPIN
3	02892000	8	BOLT, HEX HEAD
4	02965675	1	PIN WLEDMENT
5	02966238	1	WHEEL MOUNTING WLEDMENT
6	373024D	1	HUB ASY.
7	373024H	1	WHEEL & TIRE ASY.
8	37302C2C	2	BUSHING
9	5DR12160	1	NUT, SLOTTED

HYDRAULIC TANK SUB-ASY PN 02981211



ITEM	PART NO.	QTY.	DESCRIPTION
	02981211	1	HYDRAULIC TANK SUB-ASY.
1	00001300	4	LOCKWASHER
3	00011800	4	BOLT
4	00751984	6	STARWASHER
5	02275700	1	PIPE TEE
6	02963659	1	MAGNETIC PLUG
7	02977040	1	TANK WLD'MT
8	02968166	1	SUCTION STRAINER
9	02968879	1	FILLER/BREATHER CAP ASY.
10	02968880	1	GAUGE, SIGHT & TEMP.
11	02969377	6	MACHINE SCREW, SLOTTED HEX
12	63081000	1	REDUCER BUSHING
13	00011700	2	LOCKWASHER
14	10119000	2	LOCKWASHER
15	00023500	4	FLATWASHER
16	00750940	2	LOCKNUT

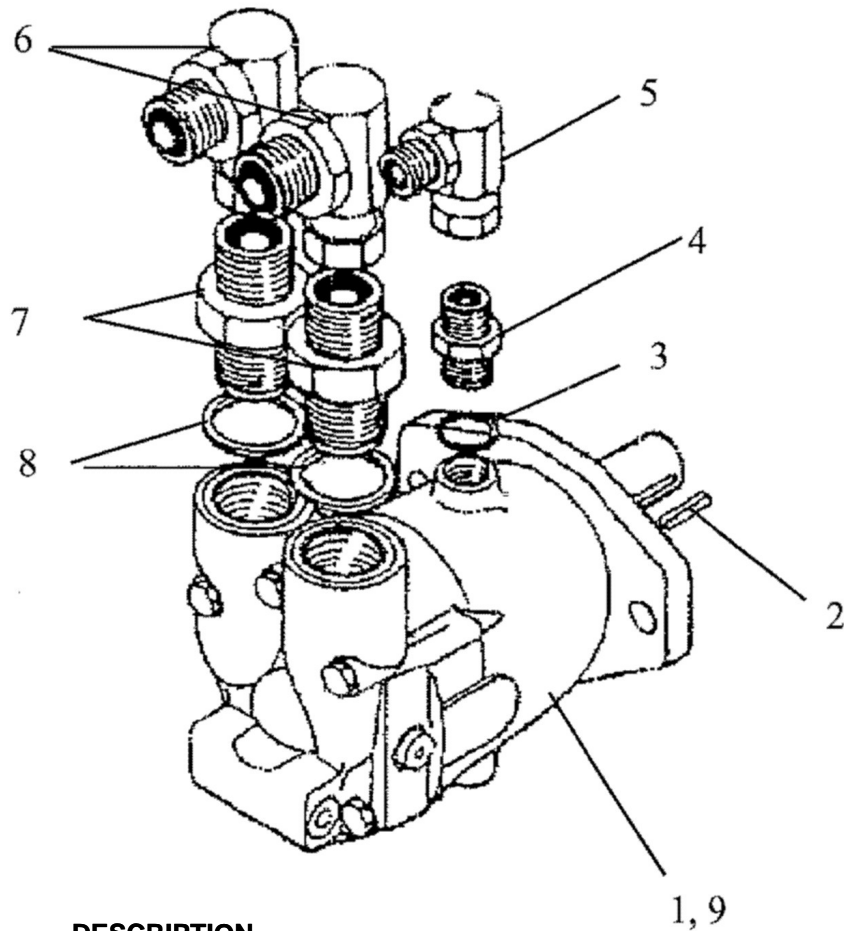
MOTOR & SPINDLE ASY PN 02969096



MOTOR & SPINDLE ASY PN 02969096

ITEM	PART NO.	QTY.	DESCRIPTION
	02969096	1	MOTOR & SPINDLE ASY.
1	00019600	4	LOCKWASHER
2	00750316	2	HYD. ADAPTER ELBOW
3	00750317	2	SPLIT FLANGE KIT
4	-----	1	GREASE NLGI "000" (NOT SHOWN , SEE MAINTENCE SECTION) (REFERENCE ONLY)
5	02776600	4	BOLT
6	02958782	1	HYD. ADAPTER STRAIGHT
7	02960553B	1	SPINDLE HOUSING - SPINDLE ASY.(SEE SPINDLE HOUSING & SPINDLE ASY.)
8	02961038	1	SPINDLE / MOTOR - GASKET
9	02967193B	1	PISTON MOTOR ASY
	02967193RB	1	PISTON MOTOR ASY (REBUILT UNIT) (REFERENCE ONLY)
	02972094	1	SEAL KIT, VALVE BLOCK TO MOTOR
	02971574	1	RELIEF CARTRIDGE, 4000 PSI
	02981685	1	O-RING (F/ 02971574)
	02981686	1	O-RING (F/ 02971574)
	02981687	1	O-RING (F/ 02971574)
	02981688	2	BACK-UP RING (F/ 02971574)

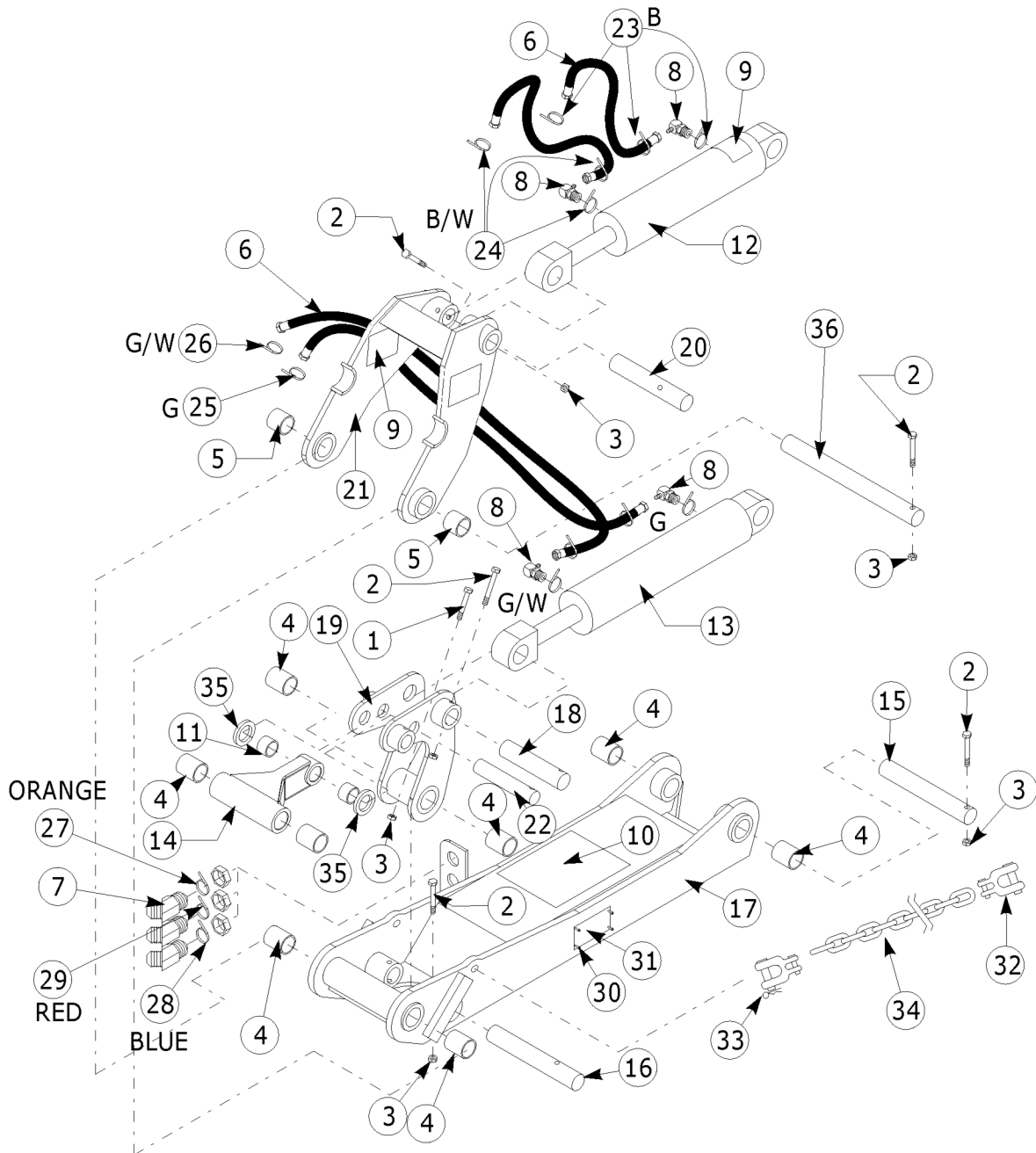
MOTOR ASY - FLAIL HEAD



ITEM	PART NO.	QTY.	DESCRIPTION
1	8301295	1	PISTON MOTOR, 2.48 CU.IN./REV W/O FITTINGS
2	05.960.16	1	KEY
3	8600908	1	O-RING GASKET
4	03.198.01	1	HYD. ADAPTER
5	8581338	1	HYD. ADAPTER
6	05.835.02	2	HYD. ADAPTER
7	08.955.25	2	HYD. ADAPTER
8	8600916	2	O-RING GASKET
9	8699238	1	SEAL KIT (FOR P/N 8301295 MOTOR)

THIS PAGE INTENTIONAL LEFT BLANK

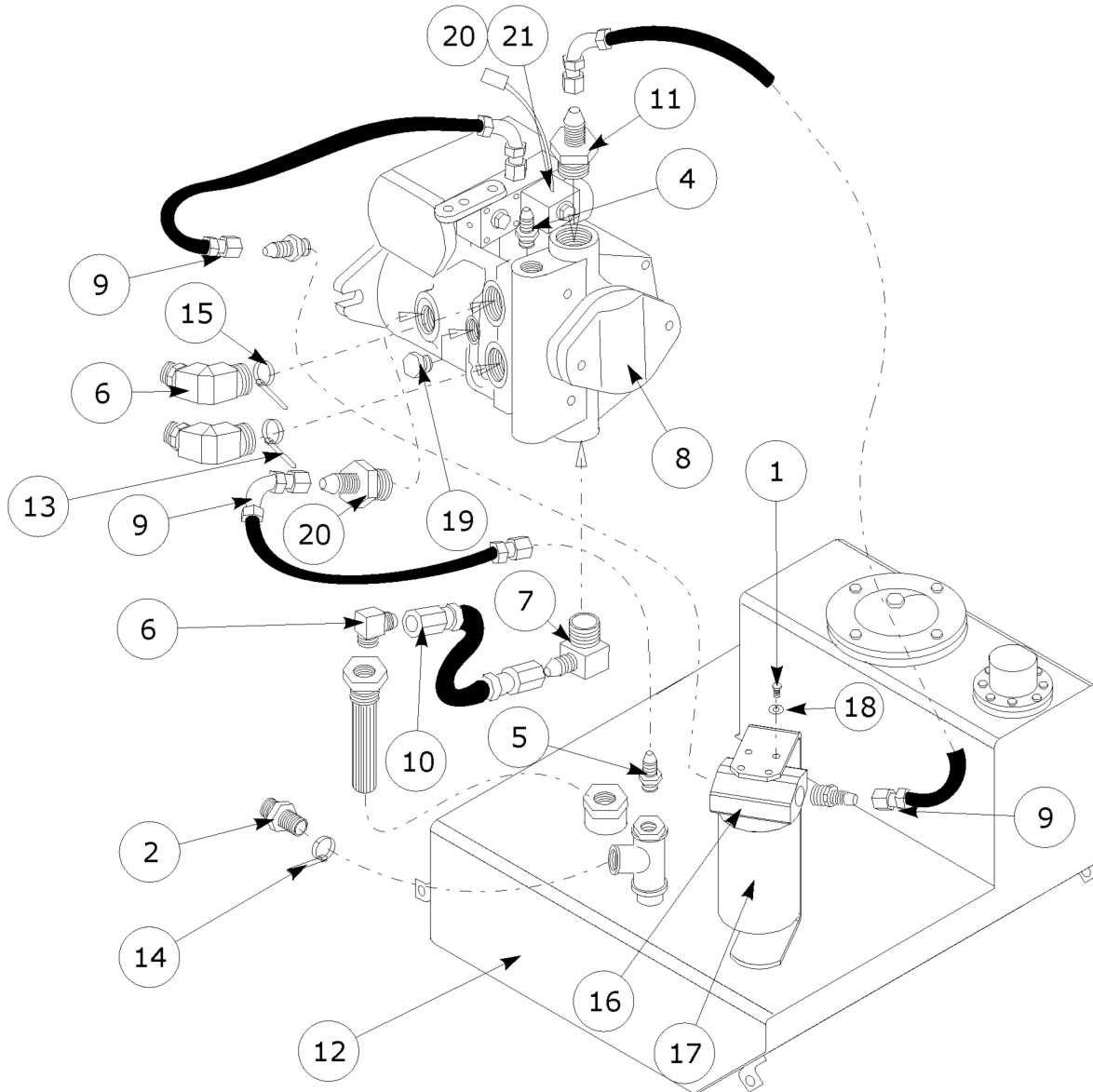
MOUNTING ARM ASY PN 02979631



MOUNTING ARM ASY PN 02979631

ITEM	PART NO.	QTY.	DESCRIPTION
	02979631	1	MOUNTING ARM ASY, BRAHMA
1	00013900	1	BOLT
2	00059900	5	BOLT
3	00015800	5	LOCKNUT
4	02968803	8	TEFLON BEARING
5	00764656	2	TEFLON BEARING
6	02890900	4	HOSE - 47"LG
7	02919400	3	BULKHEAD FITTING - 45 DEG
8	02960018	4	FITTING - 90 DEG
9	02962764	3	DECAL, PINCH POINTS
10	02965262	1	DECAL, HOSE BURST
11	02966791	2	TEFLON BEARING IMPREG
12	02968023A	1	HYD. TILT CYL.(SEE LIFT &TILT CYL.)
13	02968024A	1	HYD. LIFT CYL.(SEE LIFT &TILT CYL.)
14	02985235	1	WLDMT, HEAD PIVOT
15	02968101	1	ARM BASE PIN
16	02968103	1	LINK BASE CYLINDER PIN
17	02979612	1	MACHINED ARM , BRAHMA
18	02979628	1	CYLINDER ROD PIN
19	02979620	1	MACHINED , CYLINDER LINK
20	02968197	1	CYLINDER ROD PIN
21	02979614	1	MACHINED , CYLINDER LINK
22	02979627	1	CYLINDER BASE PIN
23	02968830	3	PLASTIC TIE - BLUE
24	02968831	3	PLASTIC TIE - BLUE/WHITE
25	02968832	3	PLASTIC TIE - GREEN
26	02968833	3	PLASTIC TIE - GREEN/WHITE
27	02968896	1	PLASTIC TIE - ORANGE
28	02968895	1	PLASTIC TIE - BLUE
29	02968894	1	PLASTIC TIE - RED
30	3710151	4	METAL TACK
31	02960692	1	SERIAL PLATE - BRAHMA ARM
32	02275800	2	DOUBLE CLEVIS
33	00751685	1	HAIRPIN
34	02973792	1	CHAIN
35	15C2000	2	HARDENED WASHER 1-1/4"
36	02968274	1	PIN- MOWER HEAD MT.

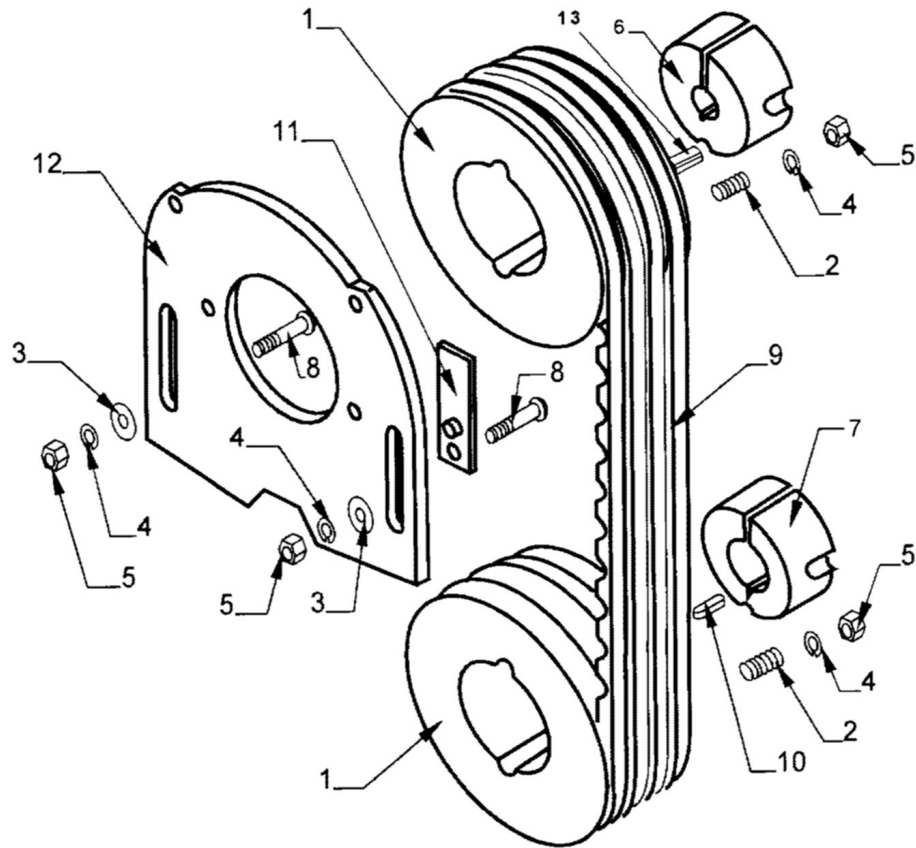
OIL RESERVOIR ASY PN 02968168



OIL RESERVOIR ASY PN 02968168

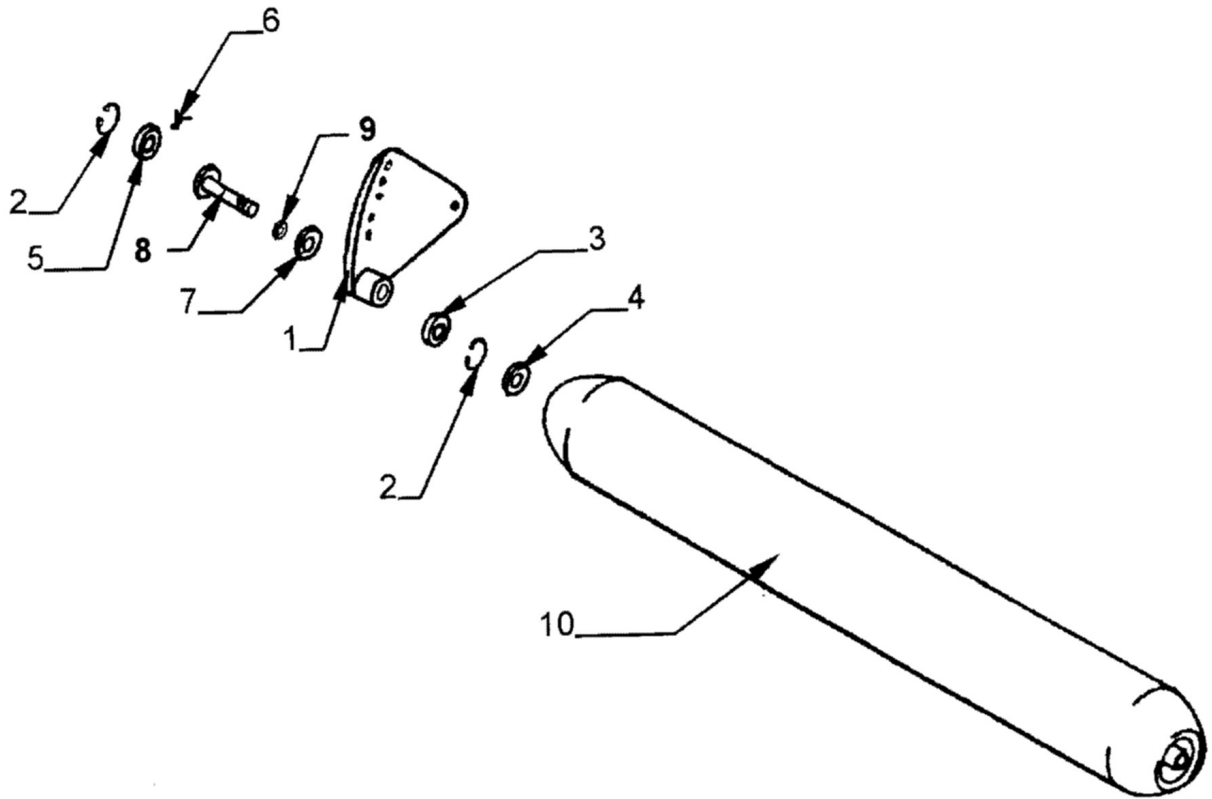
ITEM	PART NO.	QTY.	DESCRIPTION
	02968168	1	OIL RESERVOIR ASY.
1	00002000	4	BOLT
2	00752067	1	STRAIGHT ADAPTER
3	02041800	1	ELBOW - 90DEG
4	02042300	1	STRAIGHT ADAPTER
5	02042400	1	STRAIGHT ADAPTER
6	02043600	2	ADAPTER - 45DEG
7	02822700	1	ELBOW - 90DEG
8	02969527	1	PUMP, FRONT-SERVO (INCLUDES 02970206 SOLENOID SERVO CONTROL)
	02969527RB	1	PUMP, FRONT-SERVO REBUILT (REFERENCE ONLY)
9	02968164	3	HOSE
10	02968165	1	HOSE
11	02968167	1	STRAIGHT ADAPTER
12	02968169	1	TANK SUB-ASY.
13	02968896	1	PLASTIC TIE - 11"LG (ORANGE)
14	02968895	1	PLASTIC TIE - 11"LG (BLUE)
15	02968894	1	PLASTIC TIE - 11"LG (RED)
16	02968922	1	PRESSURE FILTER HEAD ASY.
17	02968923	1	PRESS FILTER ASY.
	03101646	4	LOCKWASHER
18	03200587	1	PLUG
19	63042700	3	ADAPTER
20	02972836	1	COIL ASSY.
21	02972835	1	ASSY, CARTRIDGE VALVE W/O COIL

PULLEY ASY - FLAIL HEAD 1500 & 2000



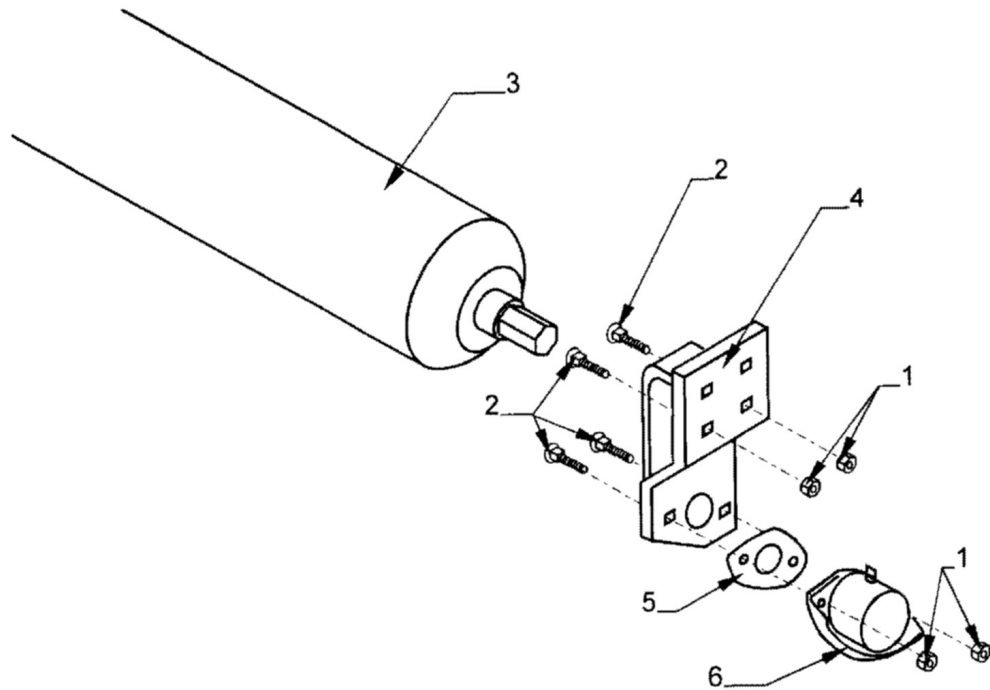
ITEM	PART NO.	QTY.	DESCRIPTION
	76.154.01	1	PULLEY ASY. F/ 60" (1500) HEAD
	76.115.01	1	PULLEY ASY. F/ 80" (2000) HEAD
1	03.795.02	2	PULLEY
2	04.282.17	2	STUD
3	05.281.03	2	WASHER
4	05.282.03	4	SPRING WASHER
5	05.286.03	4	NUT
6	05.424.02	1	TAPERLOCK
7	05.424.18	1	TAPERLOCK F/ 60" (1500) HEAD
	05.424.17	1	TAPERLOCK F/ 80" (2000) HEAD
8	05.625.12	2	SCREW
9	05.960.16	1	BELT
10	05.960.16	1	KEY
11	09.587.01	1	COVER PLATE
12	41342.01	1	PLATE
13	02964954	1	MOTOR KEY (REFERENCE ONLY)

ROLLER ASY - FLAIL HEAD 1500 & 2000



ITEM	PART NO.	QTY.	DESCRIPTION
1	09.898.01	1	LEFT BRKT (NOT SHOWN)
	09.898.02	1	RIGHT BRKT
2	05.959.05	4	CIRCLIP
3	03.007.02	2	BEARING (CAN USE BRG P/N 42954.01)
	09.714.01	1	BEARING KIT COMPLETE (BOTH SIDES), ITEMS 3,4,5,6,7,8 & 9 (AS REQUIRED)
4	04.164.04	2	SEAL
5	41851.01	2	CAP
6	05.953.01	4	GREASE NIPPLE
7	05.234.01	2	WASHER
8	05.625.10	2	SOCKET HEAD BOLT
9	05.282.03	2	SPRING WASHER
10	42955.05	1	ROLLER - 60" (1500) HEAD
	42955.07	1	ROLLER - 80" (2000) HEAD

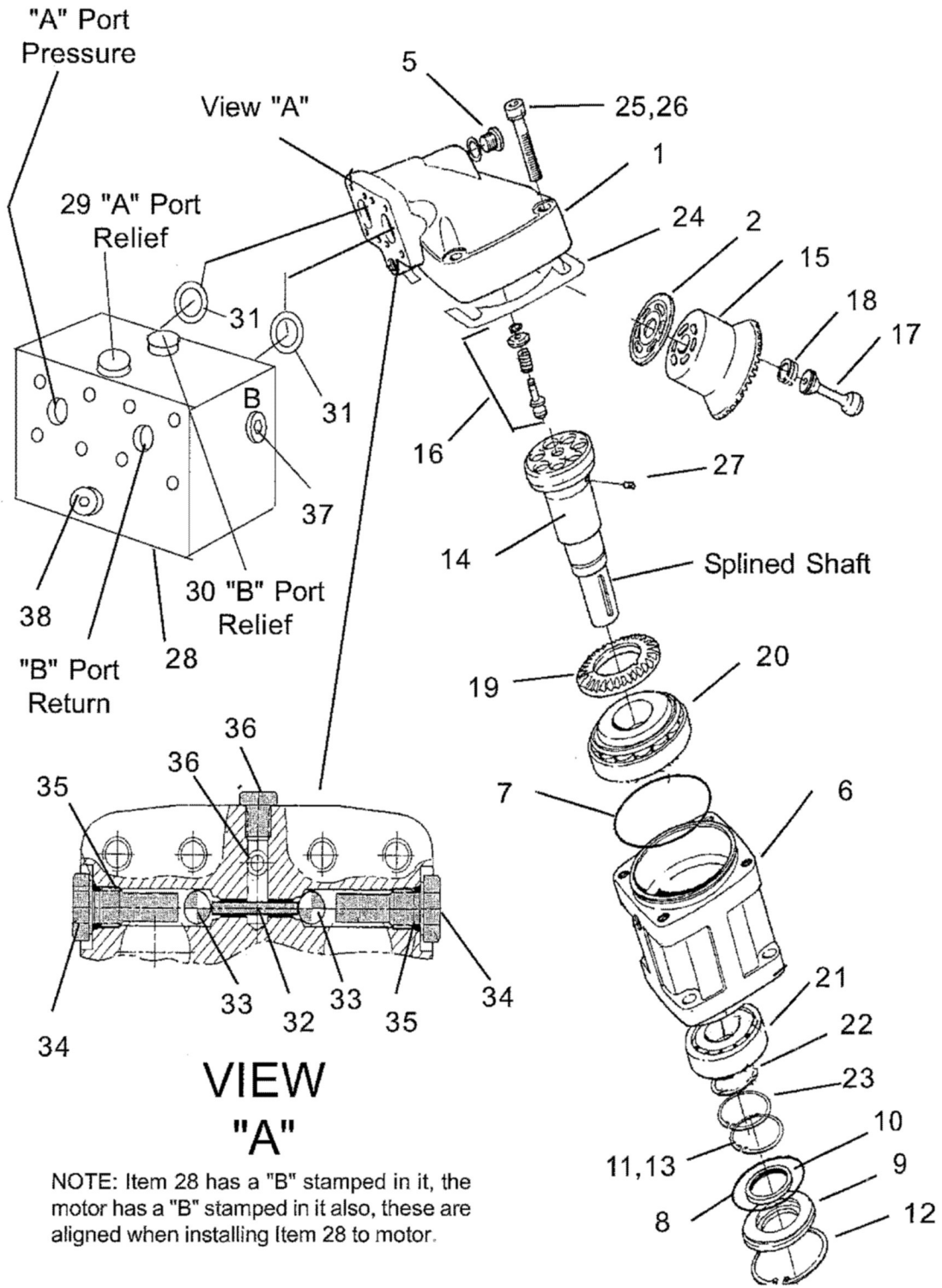
ROLLER ASY - ROTARY HEAD (OPTION)



ITEM	PART NO.	QTY.	DESCRIPTION
	703262	1	ROLLER KIT, 62"
1	00001800	8	LOCKNUT
2	000516	8	CARRIAGE BOLT
3	107784	1	ROLLER
4	107380	1	RIGHT ROLLER MOUNT - WLD'MT
	107182	1	LEFT ROLLER MOUNT - WLD'MT
5	002037	2	SEAL
6	703976	2	BEARING

THIS PAGE INTENTIONAL LEFT BLANK

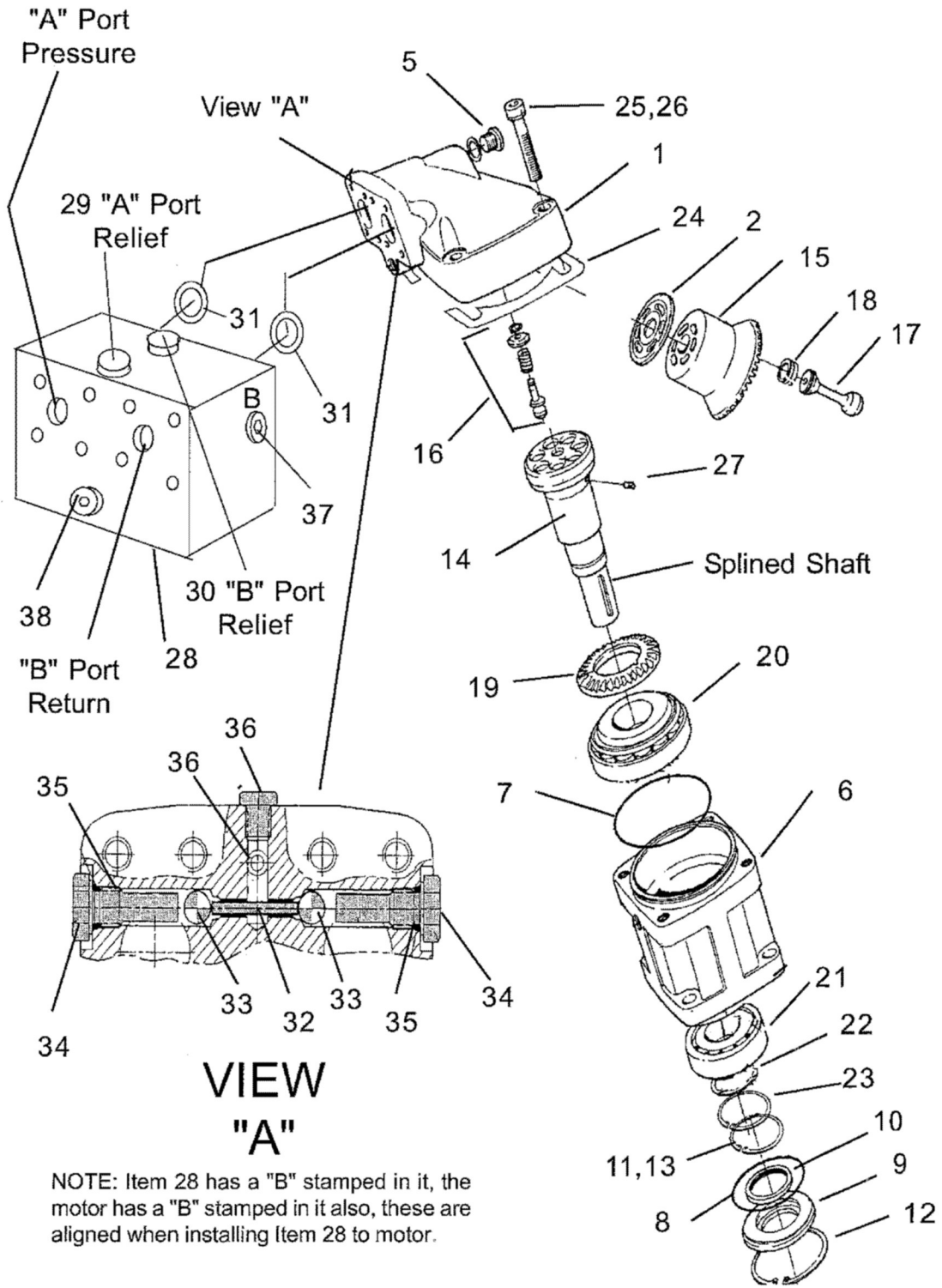
ROTARY HEAD - MOTOR ASY (PARTS) - PN 02979881 PART 1



ROTARY HEAD - MOTOR ASY (PARTS) - PN 02979881 PART 1

ITEM	PART NO.	QTY.	DESCRIPTION
	02979881	1	MOTOR ASY, PISTON TYPE 4.91 CID
1	02980529	1	BARREL HOUSING ASY
2	02980530	1	VALVE PLATE
4	02980536	1	NOZZLE, 2.5
5	02980537	1	PLUG ASY, 7/8" HEXAGON
6	02980538	1	BEARING HOUSING
7	02980539	1	O-RING, 132 X 3
8	02980540	1	O-RING, 104.5 X 3
9	02980541	1	SEAL CARRIER
10	02980542	1	SHAFT SEAL
11	02980543	1	SPACER WASHER
12	02980544	1	RETAINING RING
13	02980545	1	RETAINING RING
14	02980546	1	SHAFT ASY, TYPE U
15	02980548	1	CYLINDER BARREL
16	02980549	1	BARREL SUPPORT
17	02980550	7	PISTON ASY
18	02980551	21	PISTON RING
19	02980552	1	RING GEAR
20	02980553	1	TAP ROL BEARING
21	02980554	1	BEARING, TAPERED ROLLER
22	02980555	1	SPACER WASHER (AS REQUIRED)
23	02980556	1	RETAINING RING
24	02980557	1	SHIM, 0.5 (AS REQUIRED)
	02980558	1	SHIM, 0.2 (AS REQUIRED)
	02980559	1	SHIM, 0.4 (AS REQUIRED)
	02980560	1	SHIM, 0.6 (AS REQUIRED)
	02980561	1	SHIM, 0.8 (AS REQUIRED)
	02980562	1	SHIM, 1.0 (AS REQUIRED)
	02980563	1	SHIM, 0.7 (AS REQUIRED)
25	02980564	4	BOLT, SOCKET HEAD M12 X 50 10.9
26	02980565	1	LOCKWASHER, M13 X 19.5
27	02980547	1	GUIDE PIN
28	02980571	1	RELIEF MANIFOLD
	02980570	1	RELIEF VALVE, SEAL KIT (AS REQUIRED)
29	02980568	1	RELIEF VALVE, 280 BAR
30	02980569	1	RELIEF VALVE, 330 BAR
31	02980237	2	O-RING
32	02980531	1	KEY, FLAT
33	02980532	2	STEEL BALL
34	02980533	2	PLUG, HEXAGON

ROTARY HEAD - MOTOR ASY (PARTS) - PN 02979881 PART 2

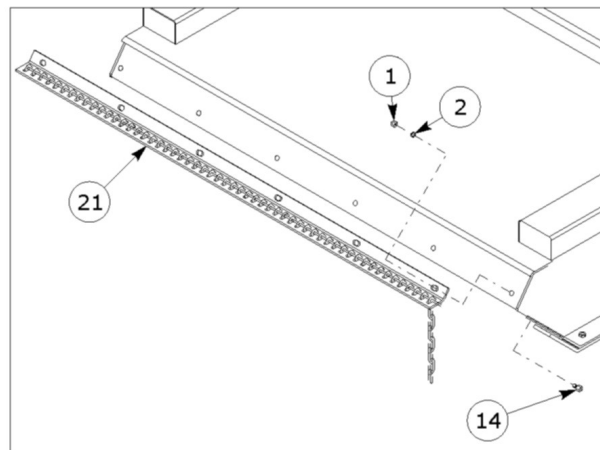
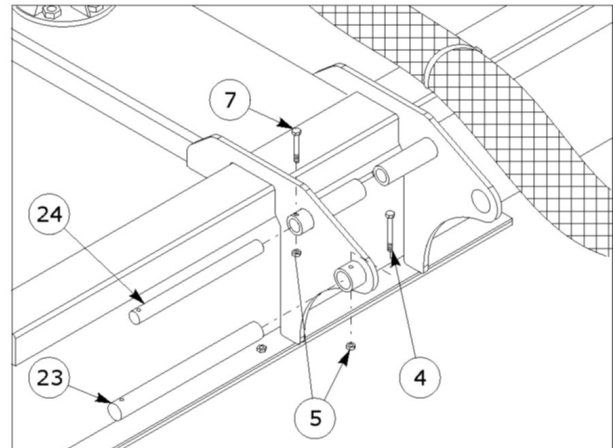
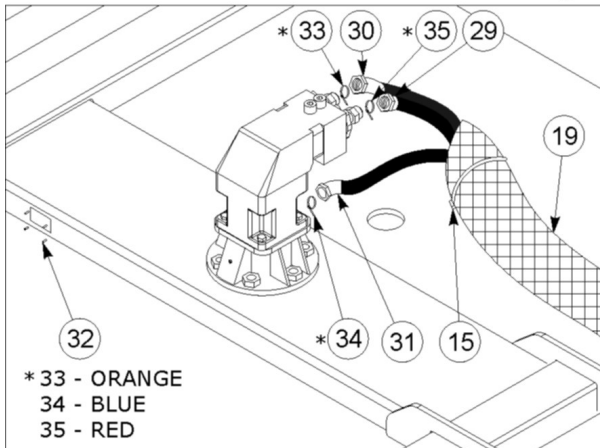
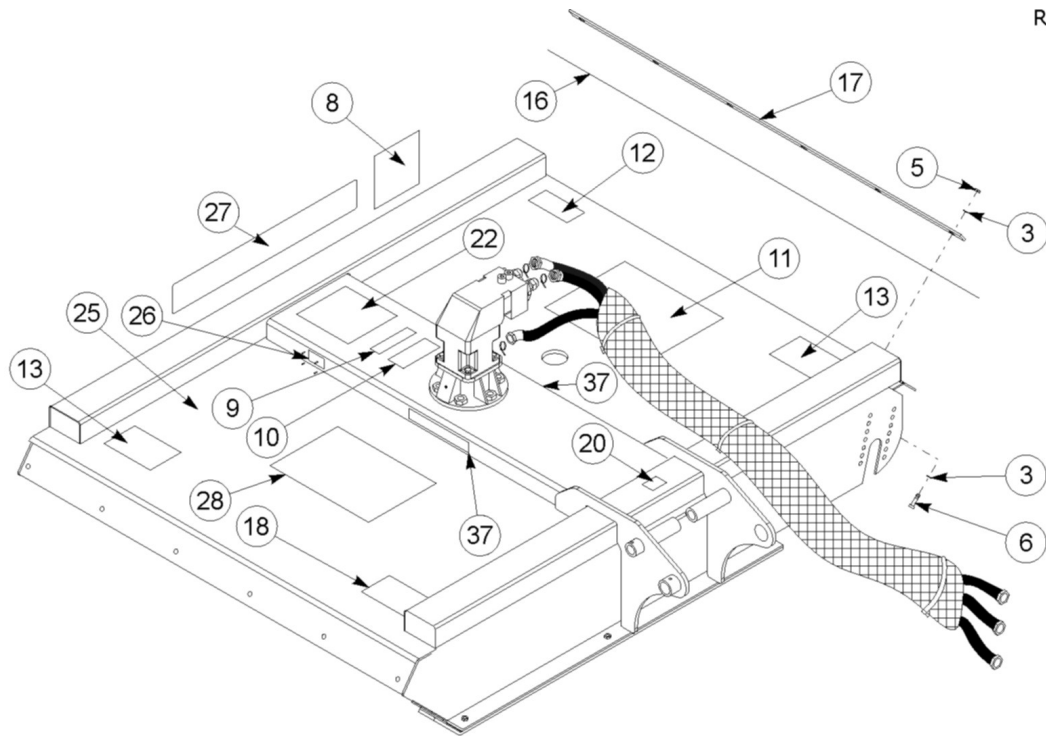


ROTARY HEAD - MOTOR ASY (PARTS) - PN 02979881 PART 2

ITEM	PART NO.	QTY.	DESCRIPTION
35	02980534	2	O-RING
36	02980535	2	PLUG ASY, HEX SOCKET
37	02980572	2	PLUG ASY
38	02980573	1	PLUG ASY
39	02980566	1	REBUILD KIT
40	02980567	1	SEAL KIT FOR 02979881 MTR

ROTARY HEAD ASY

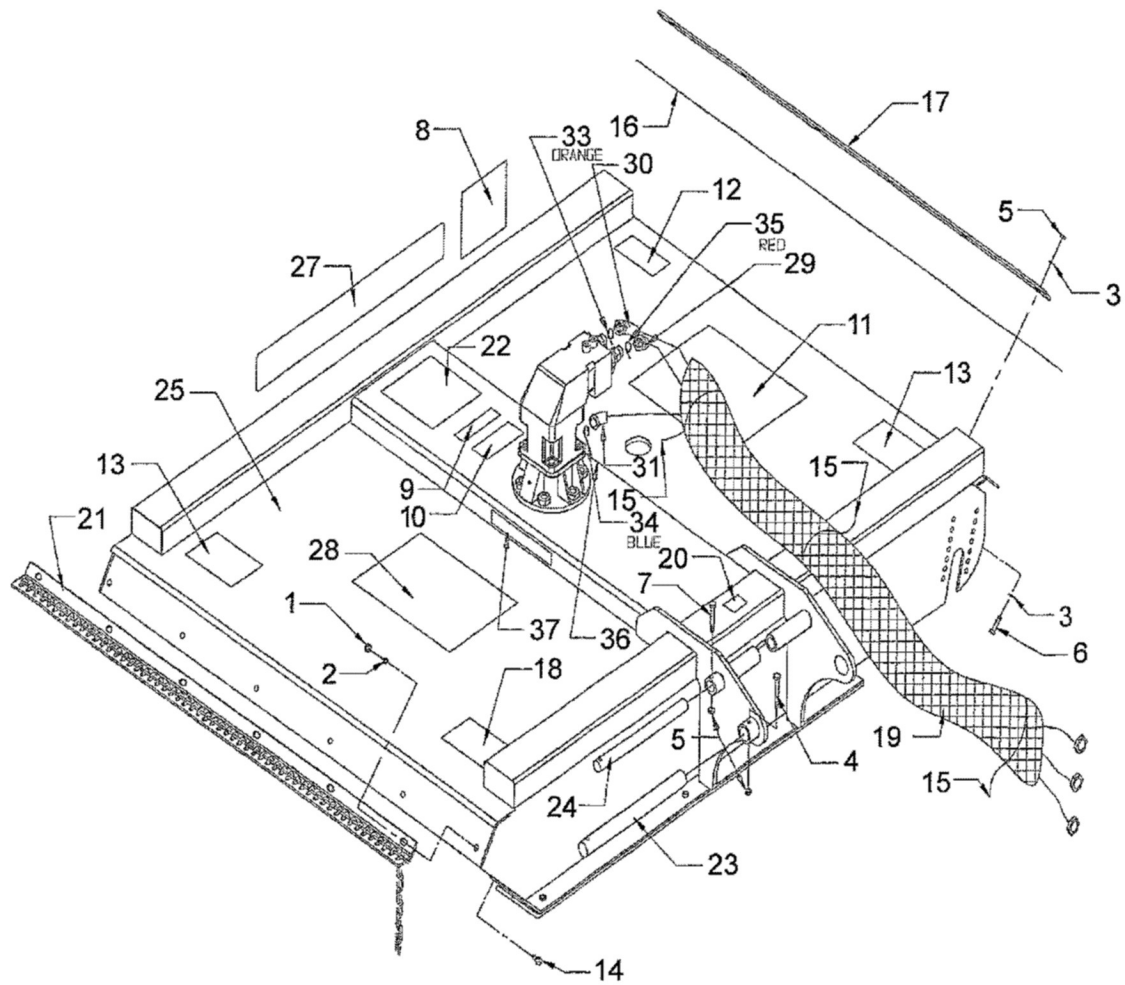
Rev 05-07



ROTARY HEAD ASY

ITEM	PART NO.	QTY.	DESCRIPTION
	02969091	1	HEAD, ASY, 60 PAN DEP DEK
	02969090	1	HEAD, ASY, BAR DEP DEK
1	00001800	6	LOCKNUT TLM 1/2 NC PLB
2	00002700	6	FLATWASHER 1/2 PL STD
3	00011100	22	FLATWASHER STD 3/8
4	00013900	1	HHCS 3/8 NC 2-1/2 PL5
5	00015800	13	LOCKNUT TLM 3/8-NC PLC
6	00023100	11	HHCS 3/8 -16UNC 1-1/2 PL5
7	00059900	1	HEXB 3/8 NC 3 PL5
8	001650	1	DECAL-ALAMO IND. LOGO
9	00725746	1	DECAL, PELIGRO
10	00756059	1	DECAL-WARNING OIL LEAK
11	00757140	1	DECAL,ALAMO INDUSTRIAL LOGO
12	00769736	1	DECAL,USE/REPAIR GUARDS
13	00769737	2	DECAL-BLADES THROWN OBJECTS
14	02030700	6	HHCS 1/2-13UNC 1-1/4 PL5
15	02753400	3	PLASTIC TIE-ON 15 LG
16	02885700	1	REAR FLAP 10 X 63 X 3/8 THK
17	02885800	1	REAR CLAMP BAR
18	02925100	1	DECAL-REPLACEMENT PARTS
19	02961085	1	CORDURA SLEEVING-54 LG
20	02962764	1	DECAL - PINCH POINTS
21	02965797	1	ASY,FRT CNGD 60VM DP DK
22	02967827	1	DECAL-MULTI HAZ
23	02968274	1	PIN- MOWER HEAD MT.
24	02984760	1	PIN 1-1/4
25	02969094	1	PRE-ASSEMBLY-60ROTARY /BAR
	02969095	1	PRE-ASSEMBLY-60ROTARY /PAN
26	02969645	1	PLATE,S/N - BRAHMA ROTARY
27	02969647	1	DECAL,NAME--BRAHMA 30(BLACK)
28	02969648	1	DECAL,PICTURE - BRAHMA (BLACK)
29	02969677	1	HOSE #16-16FJX -16FJX - 68LG
30	02969678	1	HOSE #16-16FJX -16FJX45- 74LG
31	02969679	1	HOSE #16-16FJX -16FJX45- 69LG
32	3710151	4	METAL TACK
33	02968896	1	PLASTIC TIE 11LG
34	02968895	1	PLASTIC TIE 11LG
35	02968894	1	PLASTIC TIE 11LG
36	1458392	1	DECAL,RED REFLECTOR
37	1458393	1	DECAL,YELLOW REFLECTOR

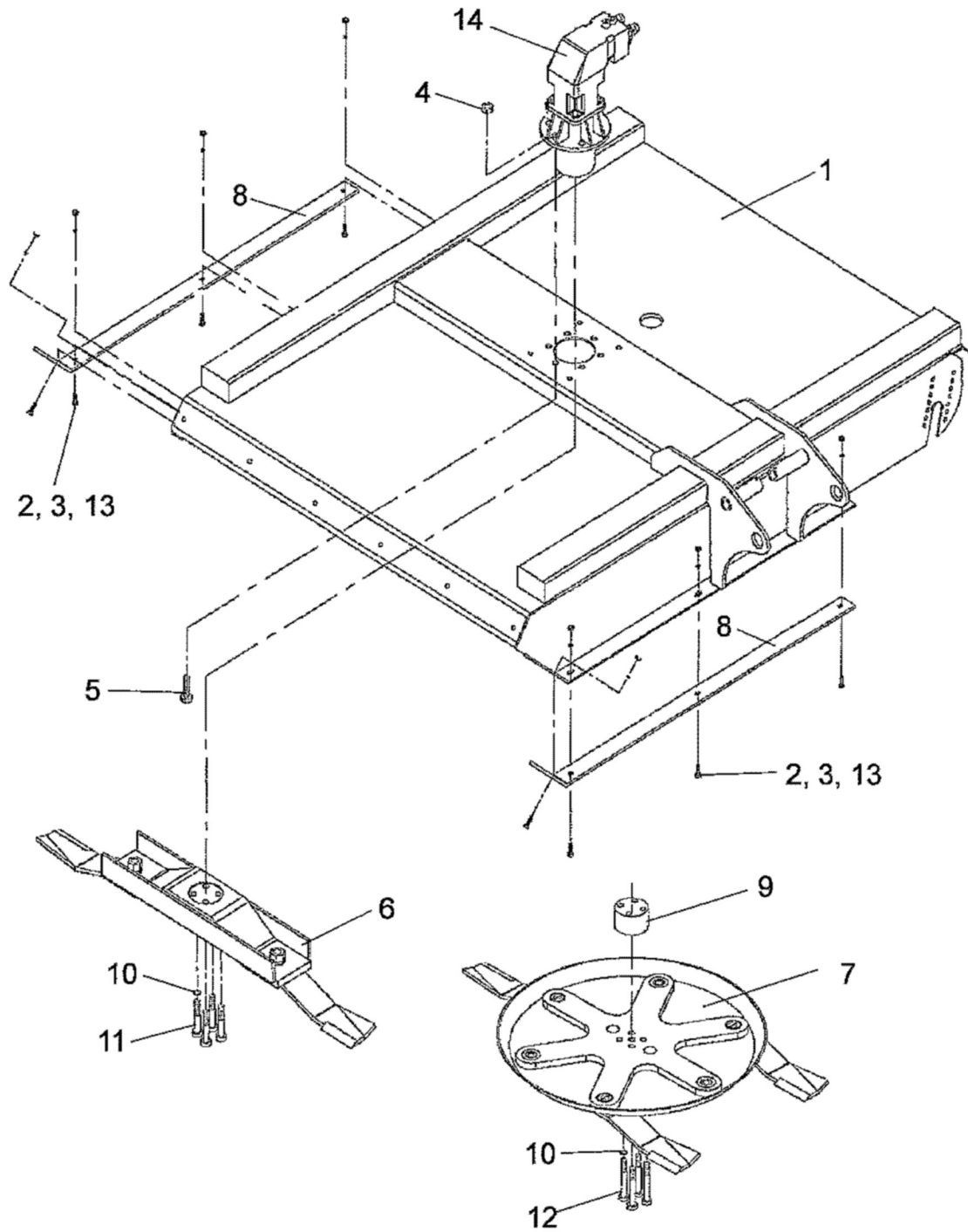
ROTARY HEAD ASY (NEW STYLE)



ROTARY HEAD ASY (NEW STYLE)

ITEM	PART NO.	QTY.	DESCRIPTION
	02969091	1	HEAD, ASY, 60" PAN DEEP DECK
	02969090	1	HEAD, ASY, 60" BAR DEEP DECK
1	00001800	6	LOCKNUT, 1/2" NC PLB
2	00002700	6	FLATWASHER, 1/2" PL STD
3	00011100	22	FLATWASHER, 3/8" NC STD
4	00013900	1	HHCS 3/8" NC 2-1/2" PL5
5	00015800	13	LOCKNUT, 3/8"-NC PLC
6	00023100	11	HHCS 3/8" -16UNC 1-1/2" PL5
7	00059900	1	HEXB 3/8" NC 3" PL5
8	001650	1	DECAL, ALAMO IND. LOGO
9	00725746	1	DECAL, PELIGRO
10	00756059	1	DECAL, WARNING OIL LEAK
11	00757140	1	DECAL, ALAMO INDUSTRIAL LOGO
12	00769736	1	DECAL, USE/REPAIR GUARDS
13	00769737	2	DECAL, BLADES THROWN OBJECTS
14	02030700	6	HHCS 1/2"-13UNC 1-1/4" PL5
15	02753400	3	PLASTIC TIE, 15" LG
16	02885700	1	REAR FLAP, 10" X 63" X 3/8" THK
17	02885800	1	REAR CLAMP BAR
18	02925100	1	DECAL, REPLACEMENT PARTS
19	02961085	1	CORDURA SLEEVING, 54" LG
20	02962764	1	DECAL, PINCH POINTS
21	02965797	1	ASY,FRT CNGD 60VM DP DK
22	02967827	1	DECAL, MULTI HAZ
23	02968274	1	PIN, MOWER HEAD MT
24	02984760	1	PIN, 1-1/4" X 15-3/4"LG CHR PLT
25	02969094	1	PRE-ASSEMBLY - 60" ROTARY /BAR
	02969095	1	PRE-ASSEMBLY - 60" ROTARY /PAN
27	02969647	1	DECAL, NAME--BRAHMA 30(BLACK)
28	02969648	1	DECAL, PICTURE - BRAHMA (BLACK)
29	02969677	1	HOSE #16-16FJX -16FJX - 68" LG
30	02969678	1	HOSE #16-16FJX -16FJX45 - 74" LG
31	02969679	1	HOSE #16-16FJX -16FJX45 - 69" LG
33	02968896	1	PLASTIC TIE, 11" LG
34	02968895	1	PLASTIC TIE, 11" LG
35	02968894	1	PLASTIC TIE, 11" LG
36	1458392	1	DECAL, RED REFLECTOR
37	1458393	1	DECAL, YELLOW REFLECTOR

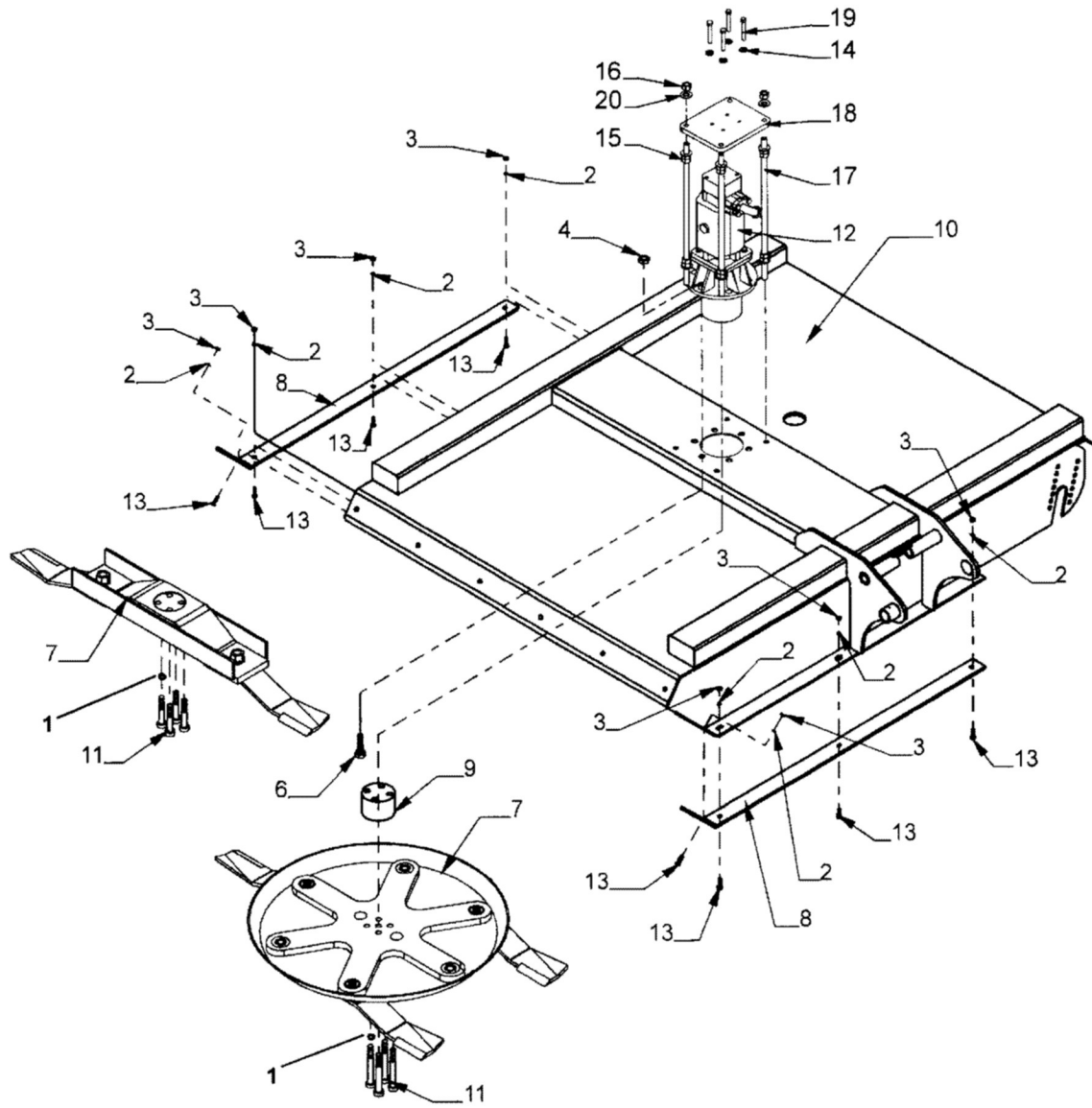
ROTARY HEAD PRE-ASY (NEW STYLE)



ROTARY HEAD PRE-ASY (NEW STYLE)

ITEM	PART NO.	QTY.	DESCRIPTION
	02969094	1	PRE-ASSEMBLY - 60 ROTARY / BAR
	02969095	1	PRE-ASSEMBLY - 60 ROTARY / PAN
1	02966618	1	WLDMT.-MOWER DP. DK. BRAHMA
2	00011100	8	FLATWASHER, STD 3/8"
3	00015800	8	LOCKNUT, 3/8" NC PLC
4	00037200	6	LOCKNUT, 3/4" NC GRC PL
5	02960521	6	HEX HEAD BOLT, 3/4" NC 2-3/4" PL8
6	02965737	1	BLADE BAR ASY (OPTIONAL)
7	02964456	1	PAN ASSEMBLY, 60 V/M STUMP (OPTIONAL)
8	02965751	2	SKID SHOE ROTARY
9	02965808	1	SPACER, 3-1/8" BLADE BAR
10	00003901	4	LOCKWASHER, 3/4" PL HEAVY
11	02708700	4	SOCKET HEAD BOLT, 3/4" NC 2" PL8
12	02967089	4	SOCKET HEAD BOLT, 3/4" NC 6" PL8
13	2A361612	8	PLOW BOLT, 3/8" X 1 1/2"
14	02969096	1	MOTOR ASY, W/ SPINDLE

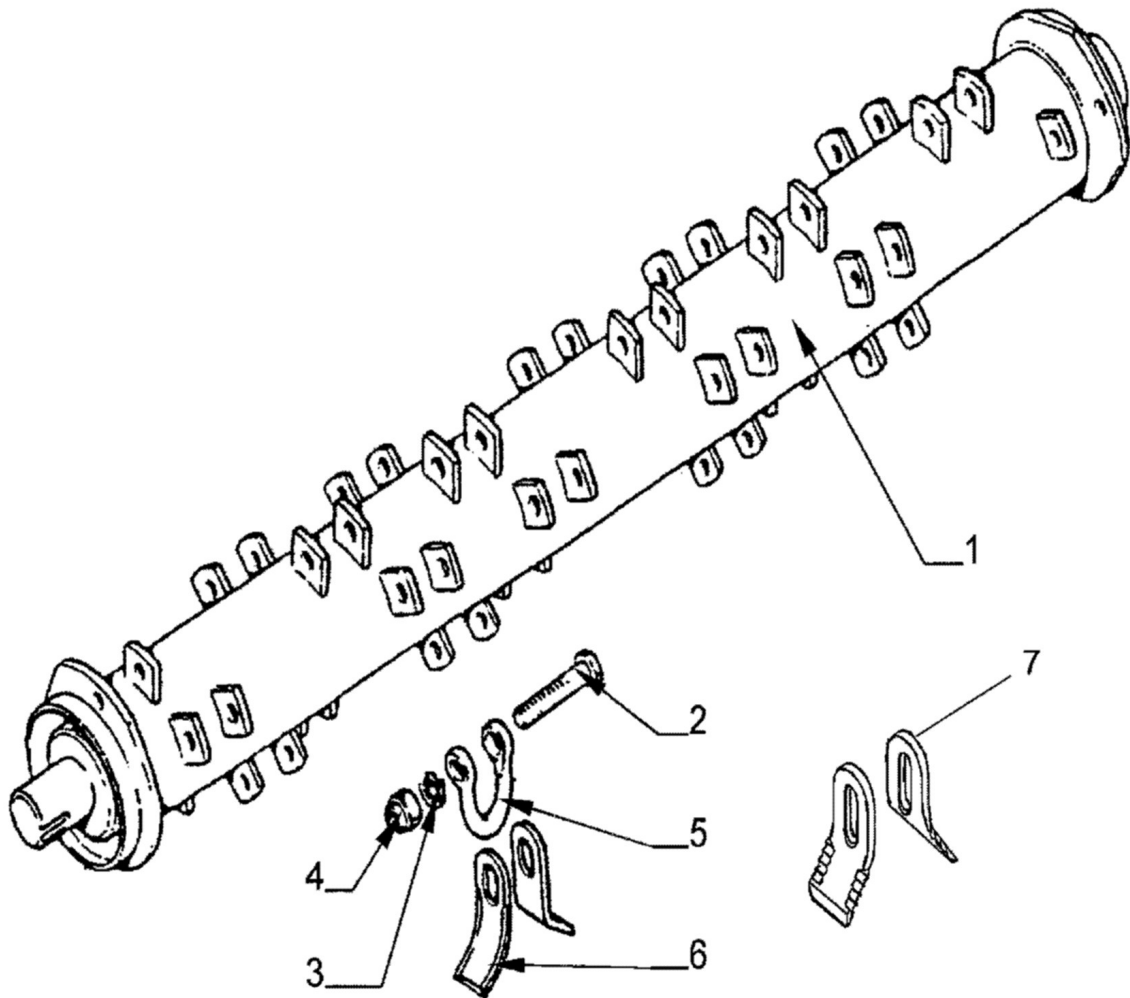
ROTARY HEAD SUB-ASY



ROTARY HEAD SUB-ASY

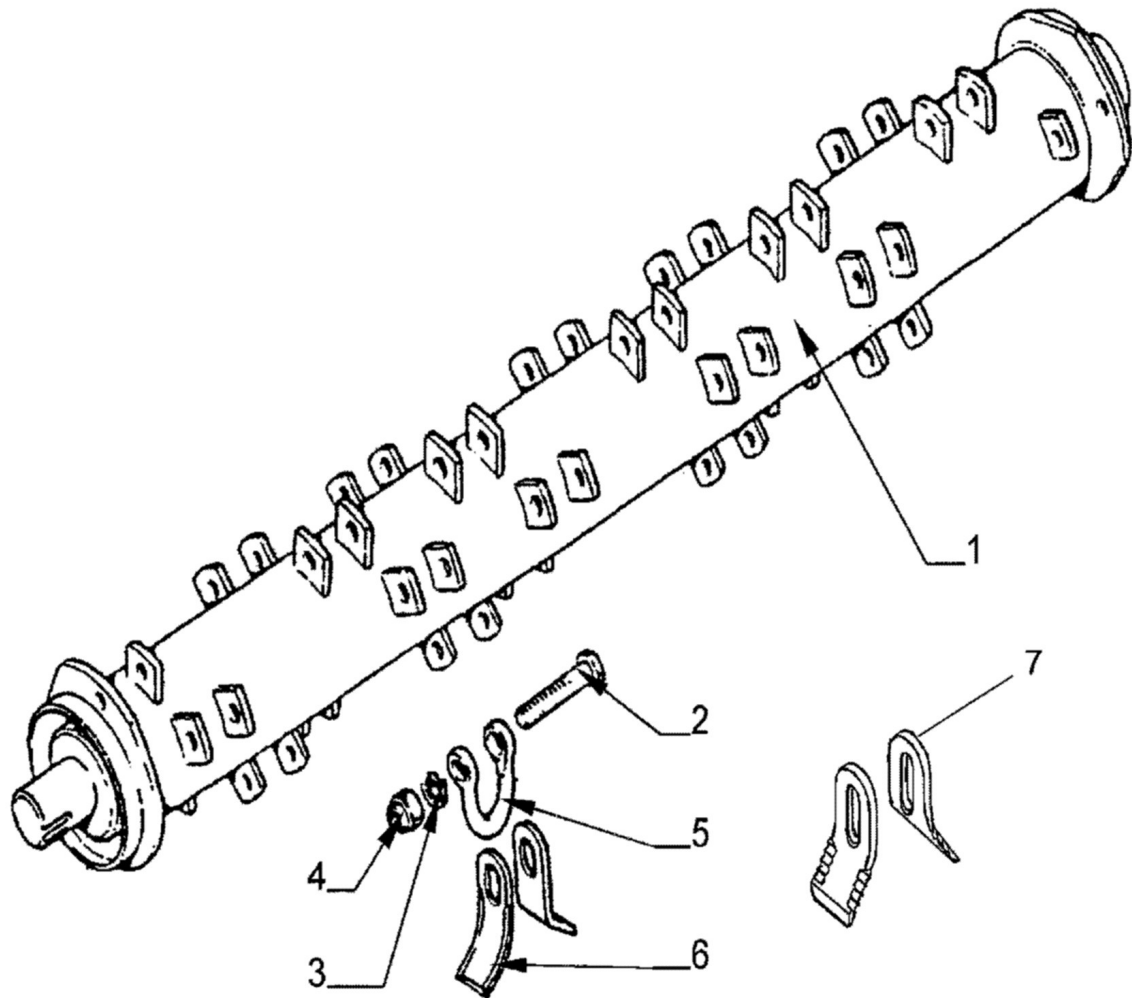
ITEM	PART NO.	QTY.	DESCRIPTION
	02969094	1	ROTARY HEAD SUB-ASY, 60" W/BAR CARRIER
	02969095	1	ROTARY HEAD SUB-ASY, 60" W/PAN CARRIER
1	00003901	4	LOCKWASHER
2	00011100	8	FLATWASHER
3	00015800	8	LOCKNUT
4	00037200	6	LOCKNUT
5	00900265	1	TEXAS YELLOW PAINT (REFERENCE ONLY)
6	02960521	6	BOLT
7	02964456	1	BLADE PAN ASY. 60" STUMP JUMPER
	02965737	1	BLADE BAR ASY.
8	02965751	2	SKID SHOE
9	02965808	1	SPACER, 3-1/8 F/ BLADE PAN ONLY
10	02966618	1	DECK WLD'MT - DP. DK. BRAHMA
11	02967007	4	BOLT, SOCKET HEAD USE W/ PAN ONLY (TORQUE TO 400 FT. LBS.)
	02708700	4	BOLT, SOCKET HEAD USE W/ BAR ONLY (TORQUE TO 400 FT. LBS.)
12	02969096	1	MOTOR ASY. - W/ SPINDLE
13	2A361612	8	PLOW BOLT
14	00012101	4	LOCKWASHER
15	00036300	16	NUT
16	00749136	8	LOCKNUT
17	02970752	4	TIE ROD
18	02970753	1	MOTOR SUPPORT PLATE
19	02970755	4	BOLT
20	W67	16	HARDENED WASHER

ROTOR SHAFT ASY - FLAIL HEAD 60 INCH



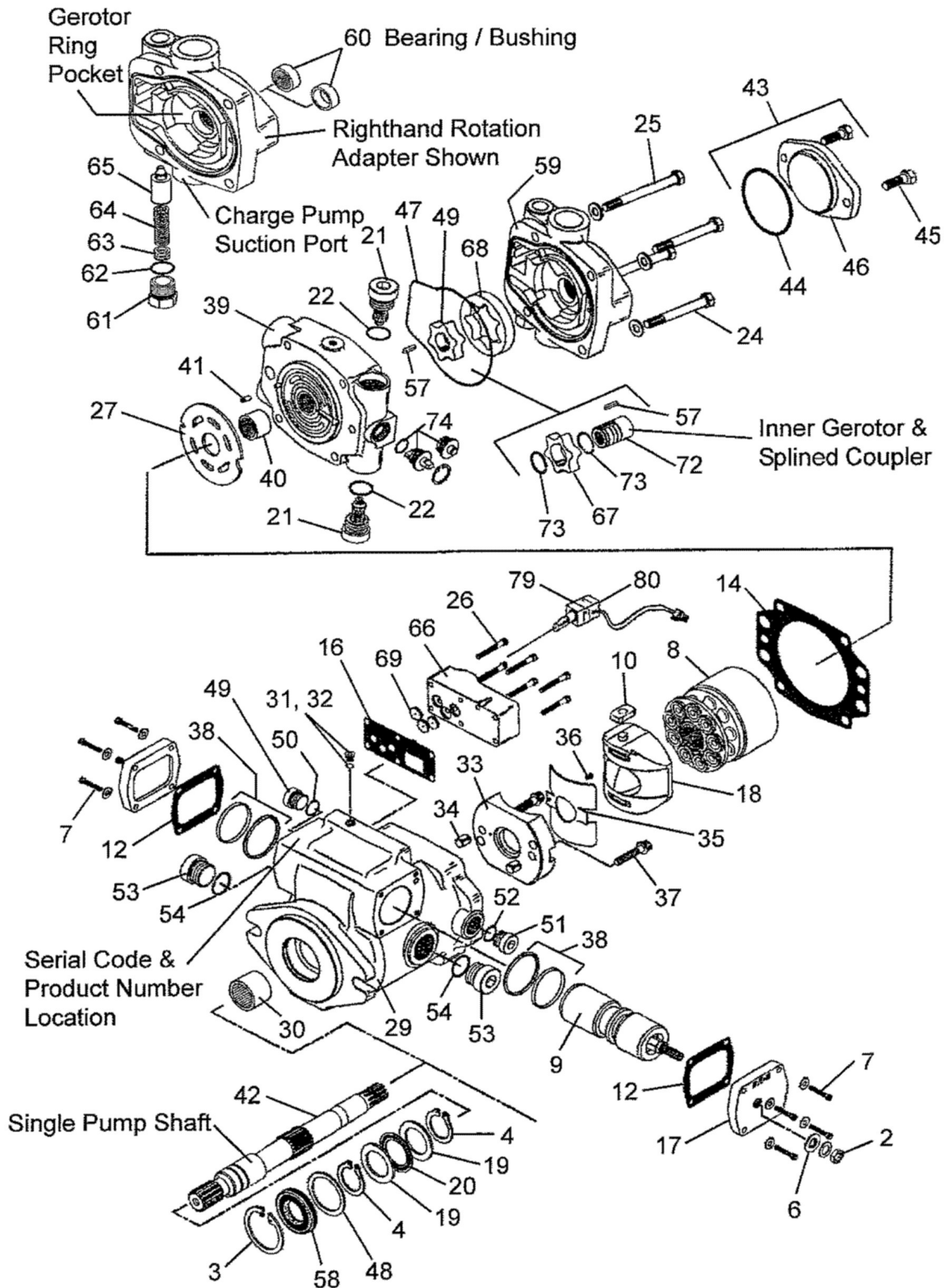
ITEM	PART NO.	QTY.	DESCRIPTION
	09.666.01	1	ROTOR SHAFTASY, 60"(1500 MM)
1	09.597.01	1	ROTOR SHAFT WLD'MT, 60" (1500 MM)
2	05.775.10	40	BOLT
3	05.282.08	40	SPRING WASHER
4	05.968.06	40	LOCKNUT
5	09.517.01	40	D-RING SHACKLE
6	09.528.01	80	FLAIL KNIFE, (STANDARD)
7	02975613	80	FLAIL KNIFE, SERRATED (OPTIONAL)

ROTOR SHAFT ASY - FLAIL HEAD 80 INCH



ITEM	PART NO.	QTY.	DESCRIPTION
	41458.01	1	ROTOR SHAFT ASY, 80"(2000 MM)
1	41.299.01	1	ROTOR SHAFT WLD'MT, 80" (2000 MM)
2	05.775.10	54	BOLT
3	05.282.08	54	SPRING WASHER
4	05.968.06	54	LOCKNUT
5	09.517.01	54	D-RING SHACKLE
6	09.528.01	108	FLAIL KNIFE, (STANDARD)
7	02975613	108	FLAIL KNIFE, SERRATED (OPTIONAL)

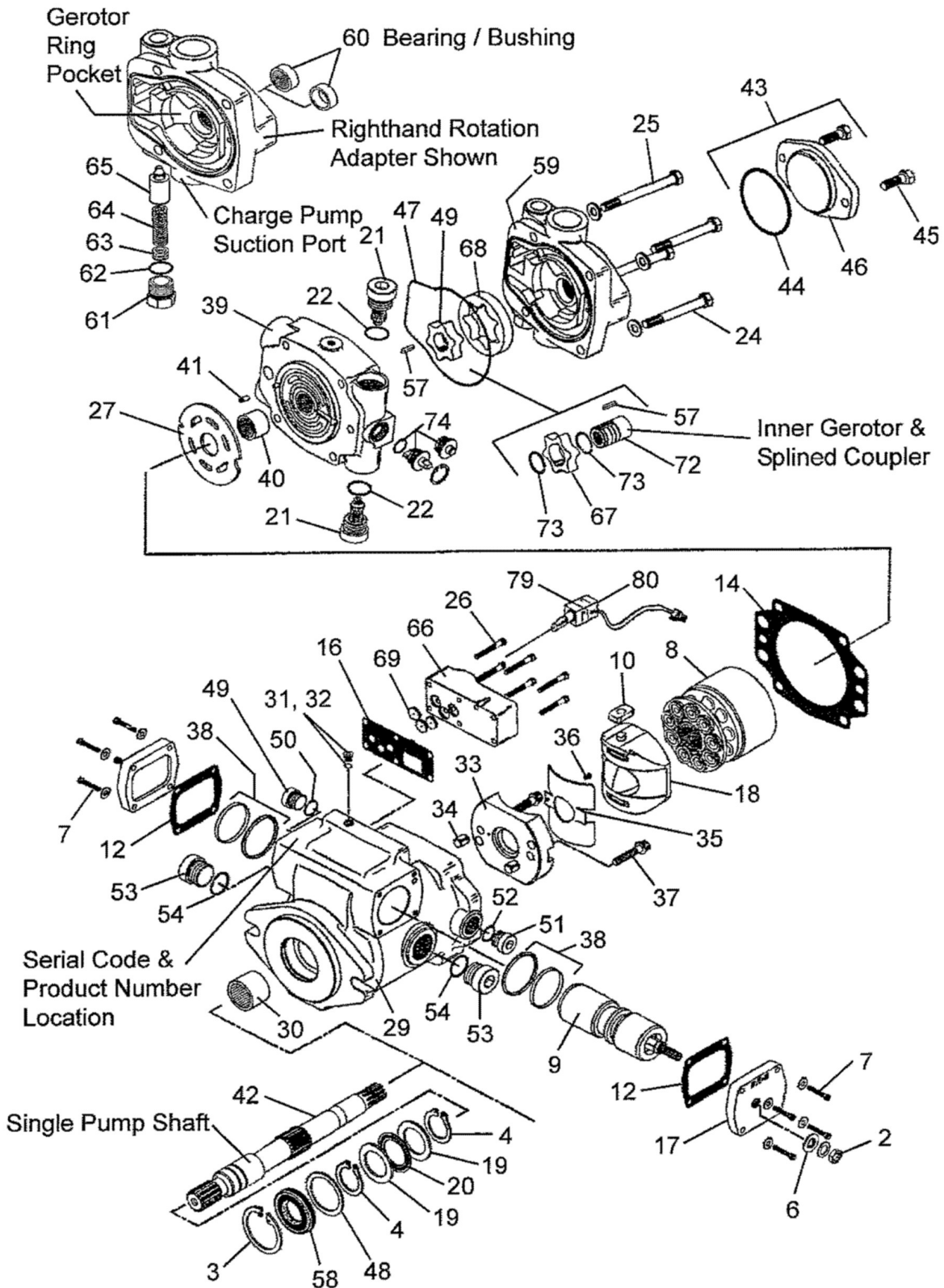
SERVO CONTROLLED PISTON PUMP ASY PN 02969527A PART 1



SERVO CONTROLLED PISTON PUMP ASY PN 02969527A PART 1

ITEM	PART NO.	QTY.	DESCRIPTION
	02969527A	1	PISTON PUMP - SOLENOID CONTROL
2	02977418	1	JAM NUT
3	02977419	1	RETAINING RING
4	02977420	2	RETAINING RING
6	02977421	1	SEAL WASHER
7	02977422	8	CAP SCREW
8	02977423	1	ROTATING KIT, SUB-ASY
9	02977424	1	SERVO PISTON SUB-ASY
10	02977425	1	FOLLOWER, SERVO PISTON
11	02977426	1	PLATE, COVER
12	02977427	2	GASKET, COVER PLATE
14	02977428	1	GASKET, HOUSING
16	02970209	1	GASKET, CONTROL HOUSING
17	02977430	1	PLATE, COVER
18	02977431	1	CAMPLATE, SUB-ASY
19	02977432	2	RACE, THRUST
20	02977433	1	BEARING, THRUST
21	02977434	2	RELIEF VALVE SUB-ASY
22	02977525	2	O-RING
24	02977436	2	BOLT
25	02977437	2	BOLT
26	02970208	6	SOCKET HEAD BOLT
27	02977439	1	VALVE PLATE
28	02977440	1	HOUSING SUB-ASY.
29	02977526	1	HOUSING
30	02977527	1	BEARING (PRESS FIT)
31	02977528	1	PLUG SUB-ASY.
32	02977529	1	O-RING
33	02977530	1	CRADLE SUB-ASY.
34	02977531	2	BUSHING, DOWEL
35	02977532	1	BUSHING
36	02977533	1	BUTTON HEAD BOLT
37	02977534	2	BOLT
38	02977535	2	SEAL SUB-ASY.
39	02977441	1	BACKPLATE SUB-ASY.
40	02977536	1	BEARING, PRESS FIT
41	02977537	1	ROLL PIN
42	02977325	1	SHAFT, PISTON PUMP
43	02977551	1	COVER PLATE KIT
44	02977442	1	O-RING
45	02977444	2	BOLT
46	02977449	1	PLATE, COVER
47	02977443	1	MOLDED O-RING

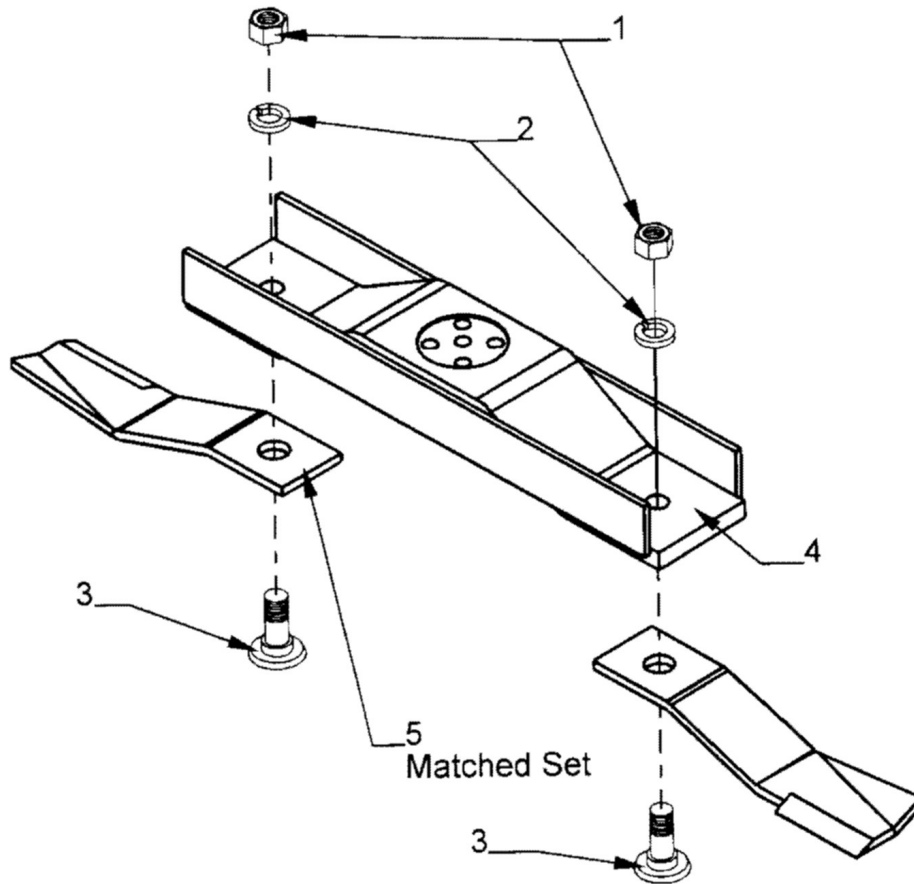
SERVO CONTROLLED PISTON PUMP ASY PN 02969527A PART 2



SERVO CONTROLLED PISTON PUMP ASY PN 02969527A PART 2

ITEM	PART NO.	QTY.	DESCRIPTION
48	02977445	1	WASHER
49	02977446	1	PLUG, SUBASSY
50	02977538	1	O-RING .087 DIA X .644INSIDE
51	02977540	1	USE 02977446
52	02977541	1	USE 02977538
53	02977447	2	PLUG, SUBASSY
54	02977539	2	O-RING .116 DIA X .924INSIDE
58	02977199	1	SEAL PUMP SHAFT
59	02977450	1	CHARGE PUMP ASSEMBLY
60	02977543	1	BUSHING, PRESS FIT W/11 TOOTH
61	02977544	1	PLUG
62	02977545	1	O-RING
63	02977546	1	SHIM (1)NOTE: MAY REQUIRE MORE
64	02977547	1	SPRING
65	02977548	1	POPPET
66	02970207	1	ASY,SOLENOID SERVO CONTROL
67	02977451	1	GEROTOR, INNER RING
68	02977452	1	GEROTOR, OUTER RING
69	02977453	3	ORIFICE, CONTROL VALVE
72	02977456	1	COUPLER
73	02977457	2	RING, RETAINING
74	02977458	1	PLUG SUBASSY
75	02977459	1	WASHER
76	02977460	8	WASHER
77	02977461	4	WASHER
78	02977462	1	RING LOCK
79	02972835	1	ASY CARTRIDGE VALVE W/O COIL
80	02972836	1	ASY COIL

SPINDLE & HOUSING ASY PN 02960553B



ITEM	PART NO.	QTY.	DESCRIPTION
	02960553B	1	SPINDLE & HOUSING ASY, SPLINED
1	00999612	1	GREASE, NLGI 000 EP (AS REQUIRED)
2	02963815	1	HOUSING, MACHINED SPINDLE
3	02960561	1	SPINDLE -SPLINED
4	02960558	1	BEARING RING
5	02960559	1	SEAL
6	00754627	1	SNAP RING
7	02960557	1	BEARING CUP & CONE ASY.
8	00755628	1	BEARING CUP & CONE ASY, (USE 00769938)
9	02964269	1	LOCKWASHER, MODIFIED
10	02962030	1	LOCKNUT, SPINDLE BEARING
11	02959018	1	GREASE RELIEF FITTING

ALAMO INDUSTRIAL

Limited Warranty

1. LIMITED WARRANTIES

- 1.01. Alamo Industrial warrants for one year from the purchase date to the original non-commercial, governmental, or municipal purchaser ("Purchaser") and warrants for six months to the original commercial or industrial purchaser ("Purchaser") that the goods purchased are free from defects in material or workmanship.
- 1.02. Manufacturer will replace for the Purchaser any part or parts found, upon examination at one of its factories, to be defective under normal use and service due to defects in material or workmanship.
- 1.03. This limited warranty does not apply to any part of the goods which has been subjected to improper or abnormal use, negligence, alteration, modification, or accident, damaged due to lack of maintenance or use of wrong fuel, oil, or lubricants, or which has served its normal life. This limited warranty does not apply to any part of any internal combustion engine, or expendable items such as blades, shields, guards, or pneumatic tires except as specifically found in your Operator's Manual.
- 1.04. Except as provided herein, no employee, agent, Dealer, or other person is authorized to give any warranties of any nature on behalf of Manufacturer.

2. REMEDIES AND PROCEDURES.

- 2.01. This limited warranty is not effective unless the Purchaser returns the Registration and Warranty Form to Manufacturer within 30 days of purchase.
- 2.02. Purchaser claims must be made in writing to the Authorized Dealer ("Dealer") from whom Purchaser purchased the goods or an approved Authorized Dealer ("Dealer") within 30 days after Purchaser learns of the facts on which the claim is based.
- 2.03. Purchaser is responsible for returning the goods in question to the Dealer.
- 2.04. If after examining the goods and/or parts in question, Manufacturer finds them to be defective under normal use and service due to defects in material or workmanship, Manufacturer will:
 - (a) Repair or replace the defective goods or part(s) or
 - (b) Reimburse Purchaser for the cost of the part(s) and reasonable labor charges (as determined by Manufacturer) if Purchaser paid for the repair and/or replacement prior to the final determination of applicability of the warranty by Manufacturer.The choice of remedy shall belong to Manufacturer.
- 2.05. Purchaser is responsible for any labor charges exceeding a reasonable amount as determined by Manufacturer and for returning the goods to the Dealer, whether or not the claim is approved. Purchaser is responsible for the transportation cost for the goods or part(s) from the Dealer to the designated factory.

3. LIMITATION OF LIABILITY.

- 3.01. MANUFACTURER DISCLAIMS ANY EXPRESS (EXCEPT AS SET FORTH HEREIN) AND IMPLIED WARRANTIES WITH RESPECT TO THE GOODS INCLUDING, BUT NOT LIMITED TO, MERCHANTABILITY AND FITNESS FOR A PARTICULAR PURPOSE.
- 3.02. MANUFACTURER MAKES NO WARRANTY AS TO THE DESIGN, CAPABILITY, CAPACITY, OR SUITABILITY FOR USE OF THE GOODS.
- 3.03. EXCEPT AS PROVIDED HEREIN, MANUFACTURER SHALL HAVE NO LIABILITY OR RESPONSIBILITY TO PURCHASER OR ANY OTHER PERSON OR ENTITY WITH RESPECT TO ANY LIABILITY, LOSS, OR DAMAGE CAUSED OR ALLEGED TO BE CAUSED DIRECTLY OR INDIRECTLY BY THE GOODS INCLUDING, BUT NOT LIMITED TO, ANY INDIRECT, SPECIAL, CONSEQUENTIAL, OR INCIDENTAL DAMAGES RESULTING FROM THE USE OR OPERATION OF THE GOODS OR ANY BREACH OF THIS WARRANTY. NOT WITHSTANDING THE ABOVE LIMITATIONS AND WARRANTIES, MANUFACTURER'S LIABILITY HEREUNDER FOR DAMAGES INCURRED BY PURCHASER OR OTHERS SHALL NOT EXCEED THE PRICE OF THE GOODS.
- 3.04. NO ACTION ARISING OUT OF ANY CLAIMED BREACH OF THIS WARRANTY OR TRANSACTIONS UNDER THIS WARRANTY MAY BE BROUGHT MORE THAN TWO (2) YEARS AFTER THE CAUSE OF ACTION HAS OCCURRED.

4. MISCELLANEOUS.

- 4.01. Proper Venue for any lawsuits arising from or related to this limited warranty shall be only in Guadalupe County, Texas.
- 4.02. Manufacturer may waive compliance with any of the terms of this limited warranty, but no waiver of any terms shall be deemed to be a waiver of any other term.
- 4.03. If any provision of this limited warranty shall violate any applicable law and is held to be unenforceable, then the invalidity of such provision shall not invalidate any other provisions herein.
- 4.04. Applicable law may provide rights and benefits to purchaser in addition to those provided herein.

KEEP FOR YOUR RECORDS

ATTENTION: Purchaser should fill in the blanks below for his reference when buying repair parts and/or for proper machine identification when applying for warranty.

Alamo Industrial Implement Model _____ Serial Number _____
Date Purchased _____ Dealer _____

ATTENTION:
READ YOUR OPERATOR'S MANUAL

ALAMO INDUSTRIAL

1502 E. Walnut
Seguin, Texas 78155
830-379-1480





TO THE OWNER/OPERATOR/DEALER

To keep your implement running efficiently and safely, read your manual thoroughly and follow these directions and the Safety Messages in this Manual. The Table of Contents clearly identifies each section where you can easily find the information you need.

The OCCUPATIONAL SAFETY AND HEALTH ACT (1928.51 Subpart C) makes these minimum safety requirements of tractor operators:

REQUIRED OF THE OWNER:

1. Provide a Roll-Over-Protective Structure that meets the requirements of this Standard; and
2. Provide Seatbelts that meet the requirements of this paragraph of this Standard and SAE J4C; and
3. Ensure that each employee uses such Seatbelt while the tractor is moving; and
4. Ensure that each employee tightens the Seatbelt sufficiently to confine the employee to the protected area provided by the ROPS.

REQUIRED OF THE OPERATOR

1. Securely fasten seatbelt if the tractor has a ROPS.
2. Where possible, avoid operating the tractor near ditches, embankments, and holes.
3. Reduce speed when turning, crossing slopes, and on rough, slick, or muddy surfaces.
4. Stay off slopes too steep for safe operation.
5. Watch where you are going - especially at row ends, on roads, and around trees.
6. Do not permit others to ride.
7. Operate the tractor smoothly - no jerky turns, starts, or stops.
8. Hitch only to the drawbar and hitch points recommended by the tractor manufacturer.
9. When the tractor is stopped, set brakes securely and use park lock, if available.



Keep children away from danger all day, every day...



Equip tractors with rollover protection (ROPS) and keep all machinery guards in place...



Please work, drive, play and live each day with care and concern for your safety and that of your family and fellow citizens.



Brahma Mower Pub 04-04

P/N 02968822P

Printed U.S.A

Download from [Www.Somanuals.com](http://www.Somanuals.com). All Manuals Search And Download.

Free Manuals Download Website

<http://myh66.com>

<http://usermanuals.us>

<http://www.somanuals.com>

<http://www.4manuals.cc>

<http://www.manual-lib.com>

<http://www.404manual.com>

<http://www.luxmanual.com>

<http://aubethermostatmanual.com>

Golf course search by state

<http://golfingnear.com>

Email search by domain

<http://emailbydomain.com>

Auto manuals search

<http://auto.somanuals.com>

TV manuals search

<http://tv.somanuals.com>