

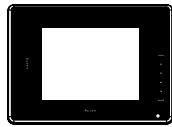
ALITY

Pixxa

Quick Start Guide

- 1 Install
- 2 Setup
- 3 Enjoy

What's in the box:



Pixxa digital photo frame



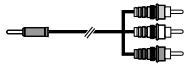
Cradle



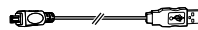
Remote control



Power adaptor



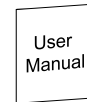
AV cable



USB cable*

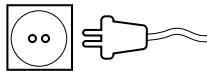


Quick start guide

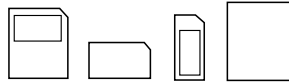


User manual

You also need:



Power outlet



Memory card (CF, SD, MMC or MS) with photos, videos or music

or

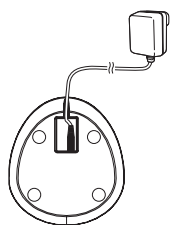


Computer with photos, videos or music

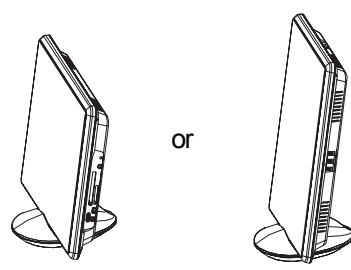
* Only for version with internal memory.



1 Install

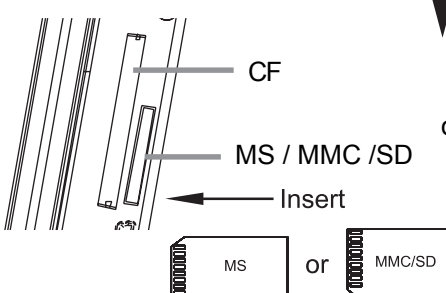


Connect the power adaptor to the cradle and a power outlet.



Install the digital photo frame to the cradle. You may either put it in landscape or portrait position.

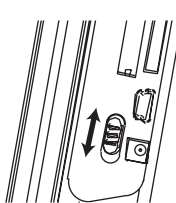
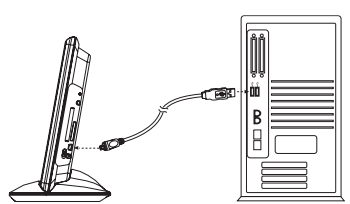
Insert memory card to card slot.



CF
MS / MMC / SD
Insert
MS or MMC/SD

or

Connect the USB cable* (ensure to switch off the unit first) to the computer and transfer files to the digital photo frame.



Turn on the unit.

* Only for version with internal memory.

2 Setup



Clock and Alarm

Use the navigation keys (▲ ▼ ◀ ▶) and **ENTER** on the remote control to perform the followings:

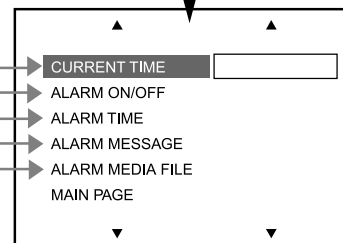
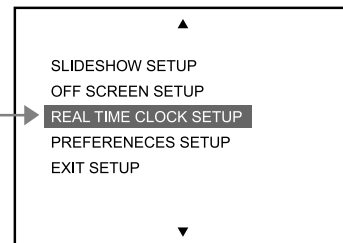
Set the clock as below:

1. Press **SETUP** key on the remote control.
2. Select "Real Time Clock setup".
3. Select "Current time".
4. Set date and time in the setting menu.
5. Select "OK" and then press **ENTER**.

To display the clock, press **CLOCK** on the remote control.

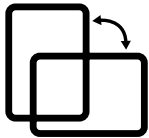
Set the alarm as below:

1. Press **SETUP** key on the remote control.
2. Select "Real Time Clock setup".
3. Select "Alarm Time" to set the alarm date and time.
4. Select "Alarm Message" to create reminder message when the alarm activates.
5. Select "Alarm Media File" to select a file for playback as the alarm.
6. Select "Alarm On/Off" to turn on or off the alarm function.





3 Enjoy

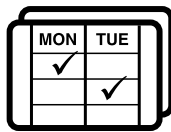


Auto Tilting

This photo frame is equipped with Auto Tilting function, your photos will be displayed according to their orientation (portrait or landscape).

Start a photo slideshow

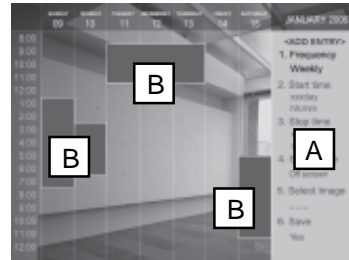
1. Press **PICTURE** on the remote control to enter picture mode.
2. Select a photo from the photo thumbnails with keys on the remote control and then press **ENTER** to start the slideshow.



Scheduler

You can also preset time and date for playback of a selected file.

1. Press **SCHEDULE** on the remote control.
2. Press **FUNCTION** to show a row of icons at the screen bottom, press to select “√☐” and then press **ENTER** to show the Add Entry menu on the right of the screen.
3. There are 6 steps to create a schedule (select frequency, set start time, set end time, select media type, select playback file and saving). Use keys and **ENTER** to go through these steps.
 - When selecting start and end time of a new schedule, a highlight box will be created as you press keys. The highlighted time slots on the calendar refer to your created schedules.



Add Entry menu Created schedules

✓ This quick start guide only introduces some of the great features of the Pixxa digital photo frame, for further details of the operations please refer to the user manual.

Free Manuals Download Website

<http://myh66.com>

<http://usermanuals.us>

<http://www.somanuals.com>

<http://www.4manuals.cc>

<http://www.manual-lib.com>

<http://www.404manual.com>

<http://www.luxmanual.com>

<http://aubethermostatmanual.com>

Golf course search by state

<http://golfingnear.com>

Email search by domain

<http://emailbydomain.com>

Auto manuals search

<http://auto.somanuals.com>

TV manuals search

<http://tv.somanuals.com>