

AR 2000 and AR 4000 Dual Purpose Air Rhino Units

Filter Replacement Directions

Warning: Before opening unit for any reason unplug the unit

The Pre-filter (part #AWFP2424)

- Should be changed daily in an industrial application and as needed in a light applicati
 - Unsnap the door latches and open the door.
 - Remove the used pre-filter and replace with a new pre-filter
 - Close the door and relatch the snaps
- See diagram on reverse**

The Dust Filter (part #AWFD2424)

- Should be changed every 2 to 3 days in an industrial application and as needed in a ligh application
 - Unsnap the door latches and open the door.
 - Remove the used Dust filter and replace with a new pre-filter
 - Close the door and relatch the snaps
- See diagram on reverse**

The HEPA Filter (part #AWHF0411)

- Note:** May be equipped with AWCF0314 carbon filter.
- Should be changed when the gauge reads: and above 1.7 or when the light comes on depending on how unit is equipped.
 - Unsnap the door latches and open the door.
 - Remove the prefilter, wire-frame filter and carbon filter if supplied.
 - Loosen wing nuts and remove the HEPA filter
 - Reverse the above procedure to replace the HEPA filter
 - Dispose of used filters according to local environmental regulations
- See diagram on reverse**

The Carbon Filter (part #AWCF0500) Canister Only

- Should be changed as required - Life of the carbon depends on what and how much product it is adsorbing. The only way to know carbon has reached its capacity is when it starts to off gas. Record the first time it starts to off gas and schedule to change the carbon one or two months before. You have created your schedule.
- Unsnap the door latches and open the door.
- Remove the pre-filter and the wire-frame filter
- Loosen wing nuts and remove the HEPA filter
- Reverse the above procedure to replace the HEPA filter
- Dispose of used filters according to local environmental regulations

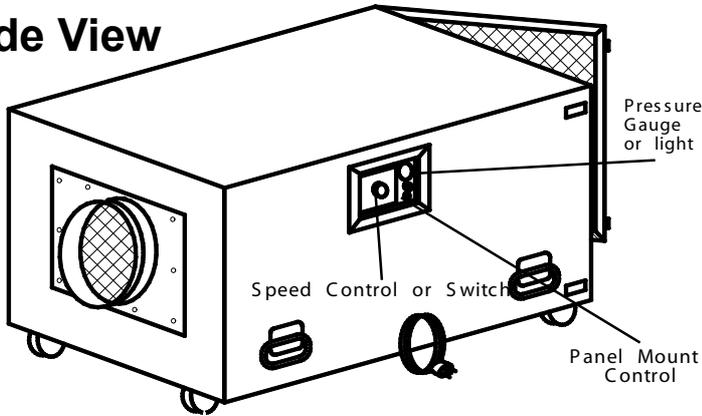
For maximum performance it is very important to change filters as specified in these directions

Trouble Shooting Guide

Symptoms	Possible Cause	Suggested Solution
Unit will not start	<ul style="list-style-type: none"> ▪ Faulty power supply ▪ Return or supply grill blocked ▪ Blown fuse ▪ Unit not plugged in 	<ul style="list-style-type: none"> ▪ Check breaker box ▪ Remove obstruction ▪ Replace fuse ▪ Plug in unit
Insufficient air flow	<ul style="list-style-type: none"> ▪ Obstruction in system ▪ Clogged filters 	<ul style="list-style-type: none"> ▪ Remove obstruction ▪ Replace filters
Excessive airflow	<ul style="list-style-type: none"> ▪ Filters not in place 	<ul style="list-style-type: none"> ▪ Install filters

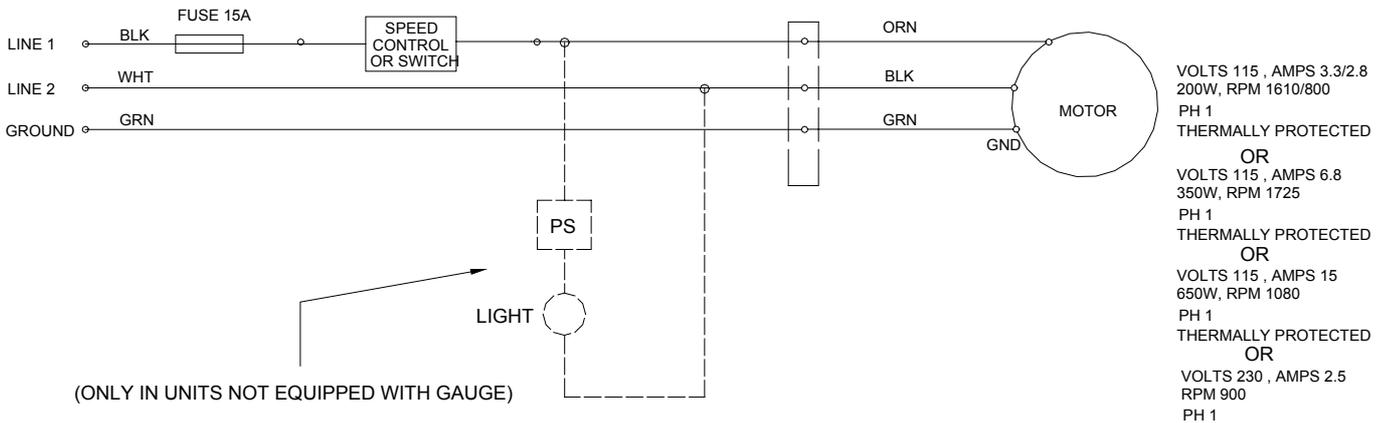
AR 2000 and AR 4000 Dual Purpose Air Rhino Units

Side View

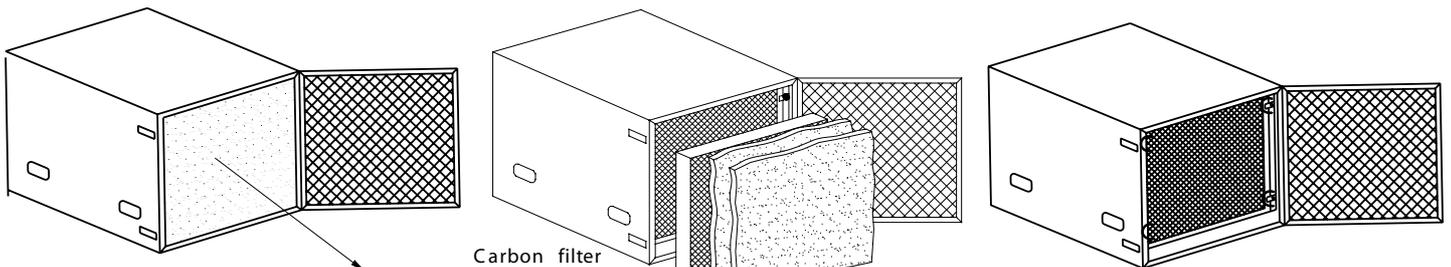


If your unit is equipped with a pressure gauge and a HEPA Filter, please follow these instructions:
On the AirRhino 2000, The HEPA filter should be changed when the gauge reads and above 1.7 inches W.C.
On the AirRhino 4000, with a new HEPA and clean prefilters the gauge reads 1.6" W.C. The HEPA should be changed when the gauge reads 2.3" to 2.4".

Electrical diagram

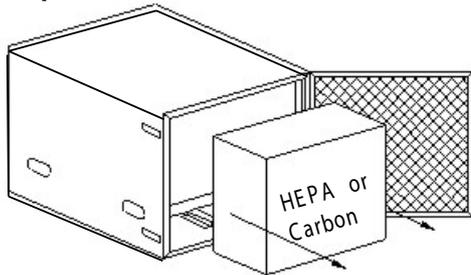


Filter change diagram

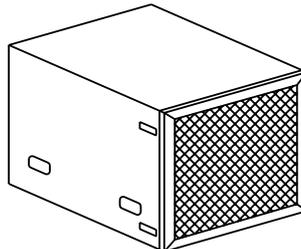


1) Open the door and pull out the pre-filters

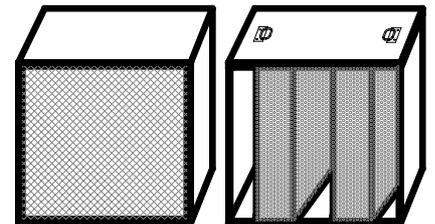
2) Untight the 4 wing-nuts



3) Pull out the HEPA or Carbon filter as supplied



4) Close the door



HEPA (AWFH0411) or Carbon Filter(AWCF0500) -100 lbs as supplied

Free Manuals Download Website

<http://myh66.com>

<http://usermanuals.us>

<http://www.somanuals.com>

<http://www.4manuals.cc>

<http://www.manual-lib.com>

<http://www.404manual.com>

<http://www.luxmanual.com>

<http://aubethermostatmanual.com>

Golf course search by state

<http://golfingnear.com>

Email search by domain

<http://emailbydomain.com>

Auto manuals search

<http://auto.somanuals.com>

TV manuals search

<http://tv.somanuals.com>