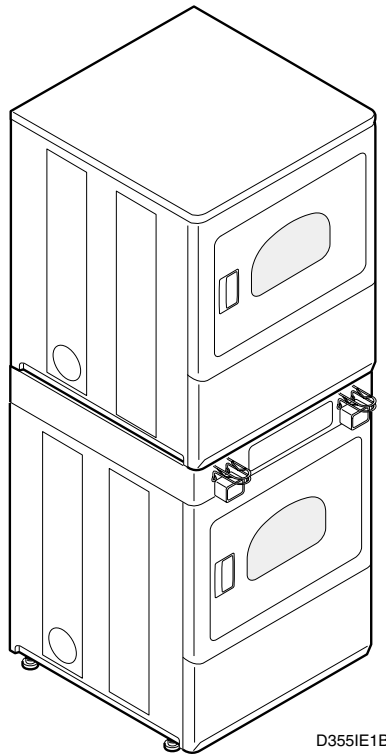


# Stacked Dryer

Metered and Nonmetered  
Electric and Gas Models



Installation and Operation

**NOTA:** El manual en español aparece después del manual en inglés.



Part No. 504524R3  
June 1998



KEEP THESE INSTRUCTIONS FOR FUTURE REFERENCE. (If the dryer changes ownership, be sure this manual accompanies the dryer.)



## WARNING

**FOR YOUR SAFETY, the information in this manual must be followed to minimize the risk of fire or explosion or to prevent property damage, personal injury or death.**<sup>W033</sup>

- Do not store or use gasoline or other flammable vapors and liquids in the vicinity of this or any other appliance.
- **WHAT TO DO IF YOU SMELL GAS:**
  - Do not try to light any appliance.
  - Do not touch any electrical switch; do not use any phone in your building.
  - Clear the room, building or area of all occupants.
  - Immediately call your gas supplier from a neighbor's phone. Follow the gas supplier's instructions.
  - If you cannot reach your gas supplier, call the fire department.
- Installation and service must be performed by a qualified installer, service agency or the gas supplier.

W052

**IMPORTANT: Purchaser must consult the local gas supplier for suggested instructions to be followed if the dryer user smells gas. The gas utility instructions plus the SAFETY and WARNING note directly above must be posted in a prominent location near the dryer for customer use.**

## FOR YOUR SAFETY

**Do not store or use gasoline or other flammable vapors and liquids in the vicinity of this or any other appliance.**

W053

# Table of Contents

Replacement Parts .....	2
Important Safety Instructions.....	3
Roughing In Dimensions .....	5
Additional Security .....	7
Slide Extension .....	7
Timer Cams .....	7
Lower Front Panel Security .....	7
Coin Slide Guards .....	8
Before You Start .....	9
<b>Installing the Dryer</b>	
STEP 1 – Position and Level the Dryer Unit.....	10
STEP 2 – Connect Dryer Exhaust System .....	10
STEP 3 – Connect Gas Supply Pipe.....	11
STEP 4 – Connect Electrical Plug.....	12
STEP 5 – Wipe Out Inside of Each Dryer.....	13
STEP 6 – Plug in the Dryer Unit.....	13
STEP 7 – Check Installation.....	13
<b>Heat Source Check .....</b>	<b>14</b>
<b>Reversing Door Procedure .....</b>	<b>15</b>
<b>Electrical Requirements (Electric Dryers) .....</b>	<b>16</b>
<b>Electrical Connection .....</b>	<b>17</b>
Three-wire Power Cord .....	17
Four-Wire Power Cord .....	19
<b>Electrical Requirements (Gas Dryers) .....</b>	<b>21</b>
<b>Gas Requirements .....</b>	<b>23</b>
<b>Location Requirements .....</b>	<b>24</b>
<b>Dryer Exhaust Requirements .....</b>	<b>25</b>
<b>Multi-Dryer Installation Exhaust Requirements .....</b>	<b>28</b>
<b>Lint Filter .....</b>	<b>31</b>
<b>Motor Overload Protector.....</b>	<b>31</b>
<b>User-Maintenance Instructions .....</b>	<b>32</b>
<b>For Energy Conservation .....</b>	<b>32</b>
<b>Before Your Call for Service.....</b>	<b>33</b>
<b>Operation Instructions For Electromechanical Dryers .....</b>	<b>34</b>
<b>Operation Instructions for Electronic Control Dryers.....</b>	<b>36</b>
<b>Information for Handy Reference .....</b>	<b>39</b>
<b>Installer Check .....</b>	<b>Back Cover</b>

## Replacement Parts . . .

If replacement parts are required, contact the source where you purchased your dryer, or contact

**Alliance Laundry Systems LLC**  
**Shepard Street**  
**P.O. Box 990**  
**Ripon, WI 54971-0990**  
**Phone:**  
**(920) 748-3950**

for the name and address of the nearest authorized parts distributor.

© Copyright 1998, Alliance Laundry Systems LLC

All rights reserved. No part of the contents of this book may be reproduced or transmitted in any form or by any means without the written permission of the publisher.

# IMPORTANT SAFETY INSTRUCTIONS

## (SAVE THESE INSTRUCTIONS)



### WARNING

To reduce the risk of fire, electric shock, or injury to persons when using your dryer, follow these basic precautions:

W034

1. Read all instructions before using the dryer.
2. Refer to the **GROUNDING INSTRUCTIONS** in the **INSTALLATION** manual for the proper grounding of the dryer.
3. Do not dry articles that have been previously cleaned in, washed in, soaked in, or spotted with gasoline, dry-cleaning solvents, other flammable or explosive substances as they give off vapors that could ignite or explode.
4. Do not allow children to play on or in the dryer. Close supervision of children is necessary when the dryer is used near children. This is a safety rule for all appliances.
5. Before the dryer is removed from service or discarded, remove the door to the drying compartment.
6. Do not reach into the dryer if the cylinder is revolving.
7. Do not install or store the dryer where it will be exposed to water and/or weather.
8. Do not tamper with the controls.
9. Do not repair or replace any part of the dryer, or attempt any servicing unless specifically recommended in the user-maintenance instructions or in published user-repair instructions that you understand and have the skills to carry out.
10. Do not use fabric softeners or products to eliminate static unless recommended by the manufacturer of the fabric softener or product.
11. To reduce the risk of fire, **DO NOT DRY** plastics or articles containing foam rubber or similarly textured rubberlike materials.
12. **ALWAYS** clean the lint filter after every load. A layer of lint in the filter reduces drying efficiency and prolongs drying time.
13. Keep area around the exhaust opening and adjacent surrounding area free from the accumulation of lint, dust and dirt.
14. The interior of the dryer and the exhaust duct should be cleaned periodically by qualified service personnel.
15. If not installed, operated and maintained in accordance with the manufacturer's instructions or if there is damage to or mishandling of this product's components, use of this product could expose you to substances in the fuel or from fuel combustion which can cause death or serious illness and which are known to the State of California to cause cancer, birth defects or other reproductive harm.
16. Dryer will not operate with the loading door open. **DO NOT** by-pass the door safety switch by permitting the dryer to operate with the door open. The dryer will stop tumbling when the door is opened. Do not use the dryer if it does not stop tumbling when the door is opened or starts tumbling without pressing the **START** mechanism. Remove the dryer from use and call the service person.
17. Do not put articles soiled with vegetable or cooking oil in the dryer, as these oils may not be removed during washing. Due to the remaining oil, the fabric may catch on fire by itself.
18. To reduce the risk of fire, **DO NOT** put clothes which have traces of any flammable substances such as machine oil, flammable chemicals, thinner, etc., or anything containing wax or chemicals such as in mops and cleaning cloths, or anything dry-cleaned at home with a dry-cleaning solvent in the dryer.
19. Use the dryer only for its intended purpose, drying clothes.
20. Always disconnect the electrical power to the dryer before attempting service. Disconnect the power cord by grasping the plug, not the cord.
21. Replace worn power cords and/or loose plugs.
22. Install this dryer according to the **INSTALLATION INSTRUCTIONS**. All connections for electrical power, grounding and gas supply must comply with local codes and be made by licensed personnel when required. Do not do it yourself unless you know how!
23. Remove laundry immediately after the dryer stops.

24. Always read and follow manufacturer's instructions on packages of laundry and cleaning aids. Heed all warnings or precautions. To reduce the risk of poisoning or chemical burns, keep them out of reach of children at all times (preferably in a locked cabinet).
25. Do not tumble fiber glass curtains and draperies unless the label says it can be done. If they are dried, wipe out the cylinder with a damp cloth to remove particles of fiber glass.
26. ALWAYS follow the fabric care instructions supplied by the garment manufacturer.
27. Never operate the dryer with any guards and/or panels removed.
28. DO NOT operate the dryer with missing or broken parts.
29. DO NOT by-pass any safety devices.
30. Failure to install, maintain, and/or operate this machine according to the manufacturer's instructions may result in conditions which can produce bodily injury and/or property damage.

**IMPORTANT:** Solvent vapors from dry-cleaning machines create acids when drawn through the heater of the drying unit. These acids are corrosive to the dryer as well as to the laundry load being dried. Be sure make-up air is free of solvent vapors.

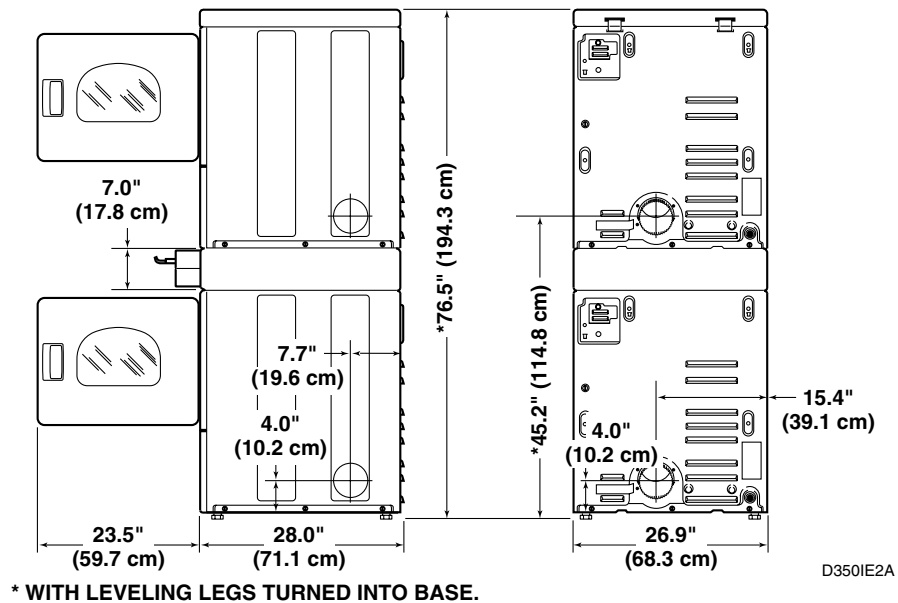
**IMPORTANT:** Have your dryer installed properly. Don't do it yourself unless you know how!

**NOTE:** The WARNING and IMPORTANT SAFETY INSTRUCTIONS appearing in this manual are not meant to cover all possible conditions and situations that may occur. Common sense, caution and care must be exercised when installing, maintaining, or operating the dryer.

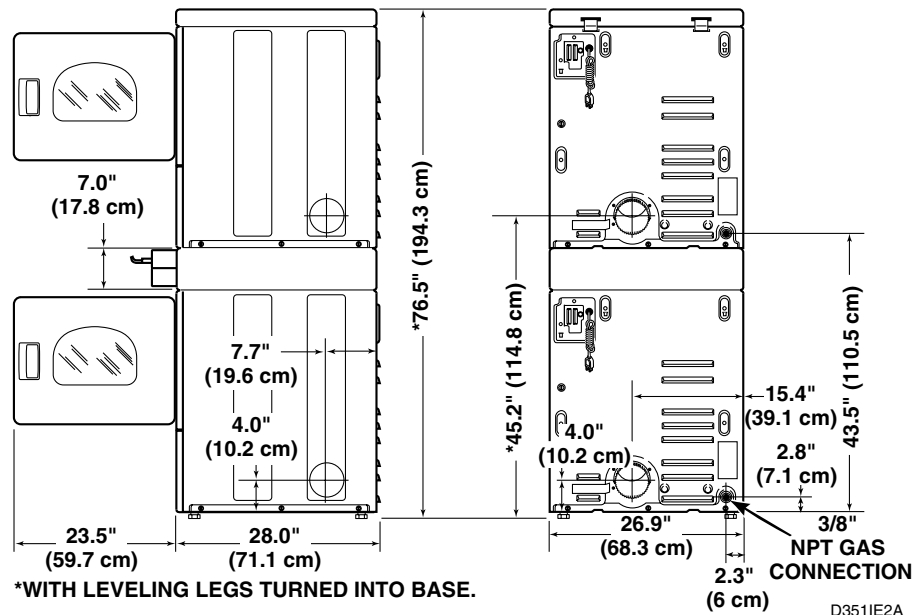
Always contact your dealer, distributor, service agent or the manufacturer about any problems or conditions you do not understand.

# Roughing In Dimensions . . .

## (Metered Models)



### ELECTRIC MODELS



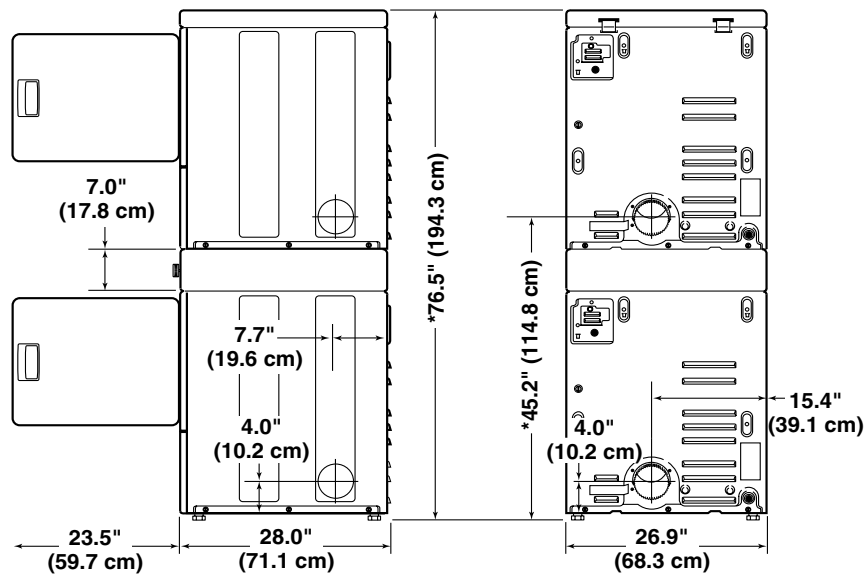
### GAS MODELS

**NOTE:** Side, rear and bottom exhaust openings are four inch (10.2 cm) ducting. Gas models cannot be vented out left side of cabinet because of burner housing.

**IMPORTANT:** The dryer should have sufficient clearance around it for needed ventilation and for the ease of installation and servicing. For maximum drying performance, we recommend that more clearance be allowed around the dryer than the clearances that are listed throughout this manual.

# Roughing In Dimensions . . .

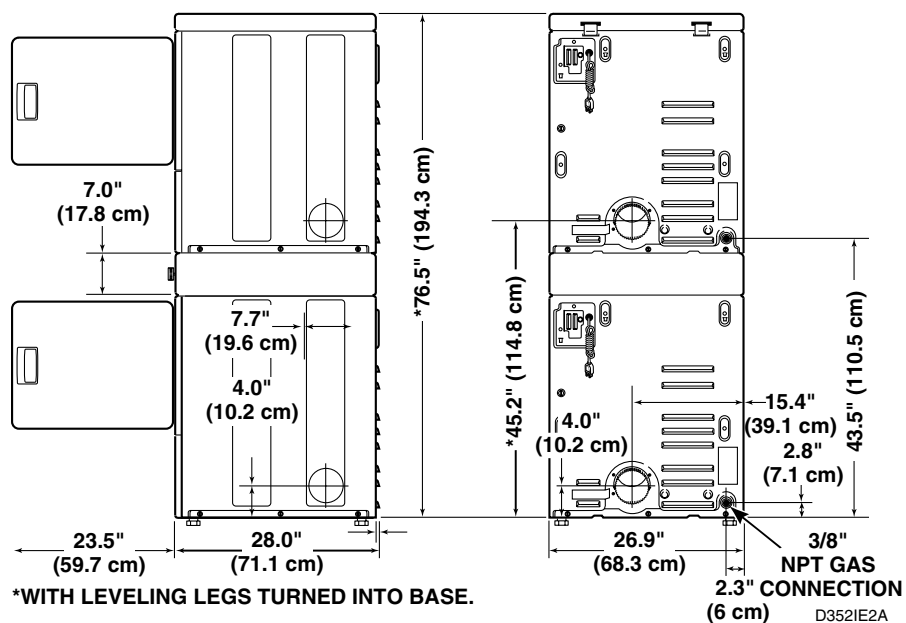
## (Nonmetered Models)



\*WITH LEVELING LEGS TURNED INTO BASE.

D353IE2A

### ELECTRIC MODELS



\*WITH LEVELING LEGS TURNED INTO BASE.

3/8" NPT GAS  
2.3" CONNECTION  
(6 cm)

D352IE2A

### GAS MODELS

**NOTE:** Side, rear and bottom exhaust openings are four inch (10.2 cm) ducting. Gas models cannot be vented out left side of cabinet because of burner housing.

**IMPORTANT:** The dryer should have sufficient clearance around it for needed ventilation and for the ease of installation and servicing. For maximum drying performance, we recommend that more clearance be allowed around the dryer than the clearances that are listed throughout this manual.



# Additional Security . . .

Torx security screws are available (as optional equipment at extra cost) for securing both lower access panels to each dryer base. Order part number 62853.

A Torx bit, part number 282P4, is available (as optional equipment at extra cost) for installing the Torx security screws.

A Torx bit holder, part number 24161, is available (as optional equipment at extra cost) to be used with the Torx bit.

## Slide Extension . . . (Metered Models)

Remove two slide extensions, four screws and lockwashers from the accessories bag (located in lower cylinder) and install the extension on the top of the coin slide.

**IMPORTANT:** Slide extension must be attached to top side of the coin slides to make them long enough to activate the accumulator.

**NOTE:** This dryer unit, as shipped from the factory, does not include the coin slides, coin drawers, lock or keys. These coin slide kits (or parts) must be ordered, at extra cost, according to the purchaser's requirements direct from the coin kit manufacturer of your choice.

## Timer Cams . . . (Metered Models)

The dryer timers are factory equipped with a 45 minute timing cam. If this drying time is not suitable to your installation, the following cams can be found in the accessories bag (located in lower cylinder).

**ELECTRIC DRYERS**  
2-53242 Cams (30 Minutes)

2-53240 Cams (60 Minutes)

**GAS DRYERS**  
2-53242 Cams (30 Minutes)

A 60 minute timing cam, Part No. 53240, is available for the gas dryers as optional equipment at extra cost.

## Lower Front Panel Security . . . (Optional) (Metered Models)

For added security, remove the two screws (with lockwashers) from accessories bag (located in lower cylinder). Install screws as follows:

1. Unlock control panel.
2. Lift up on control panel and swing bottom of panel out, then pull down and away from control cabinet.

3. Install the two screws down through holes in lower flange of control cabinet and into top flange of lower front panel.

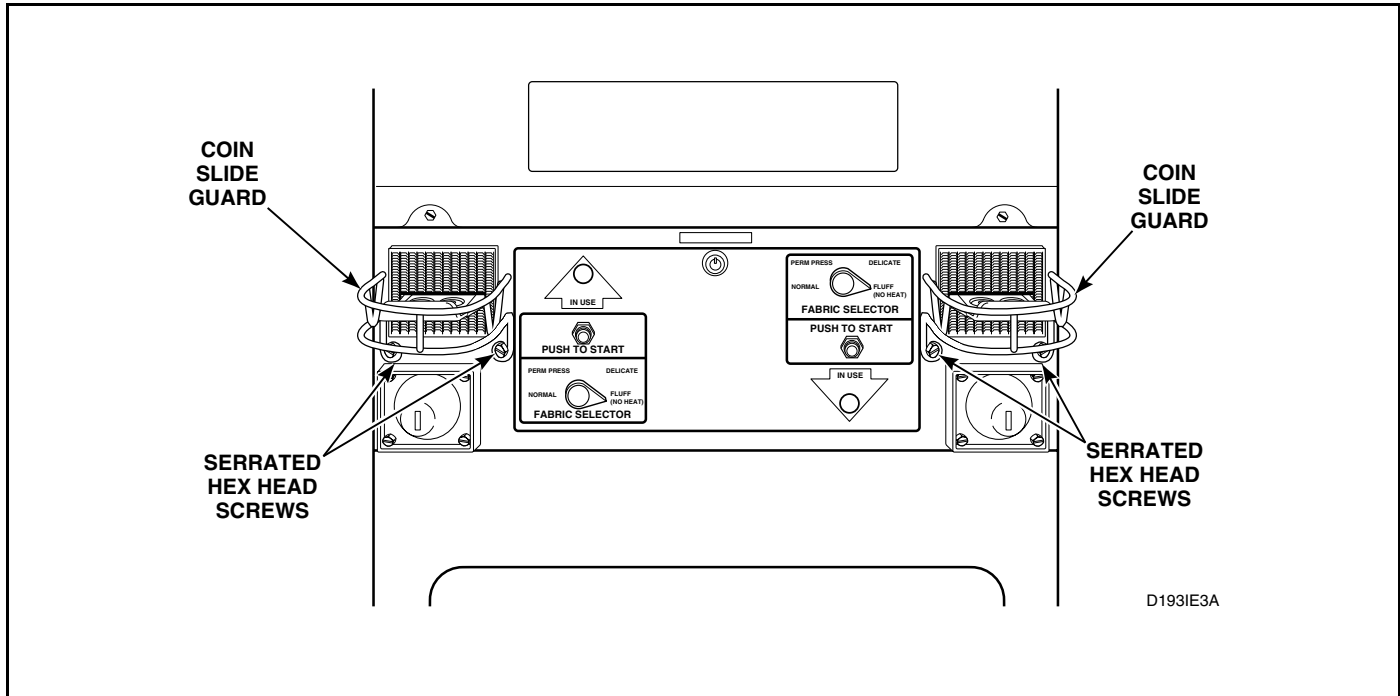
# Coin Slide Guards . . .

## (Metered Models)

Using serrated hex head screws from accessories bag (located in lower cylinder), install coin slide guards (located in accessories bag in lower cylinder), to front of dryer's control cabinet. See illustration below.

A special security screw kit is available (as optional equipment at extra cost) for securing the two coin slide

guards and both front panels to front of dryer unit. Order Security Kit No. 298P3. A special driver, part number 56217, is available (as optional equipment at extra cost) for installing the special security screws.

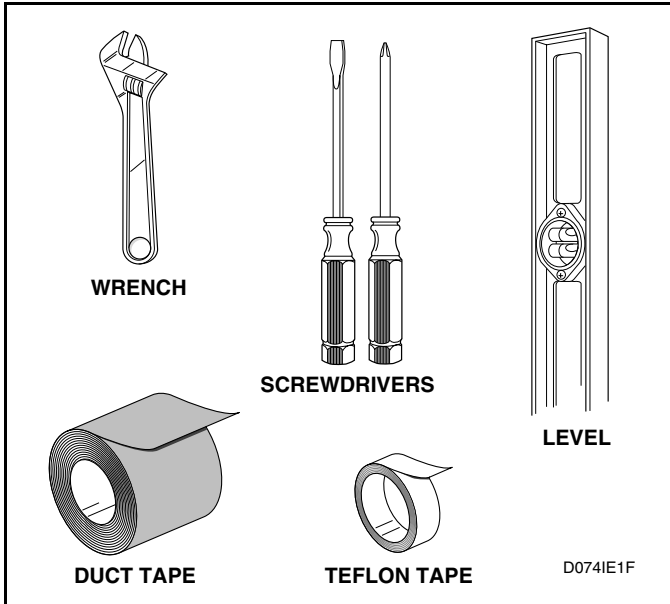


**NOTE:** Coin slides and coin drawers are shown for illustration only. You must obtain them locally.

# Before You Start . . .

## Tools

For most installations, the basic tools you will need are:



## Electrical

- **ELECTRIC DRYER** Dryer needs a 3 or 4 wire 120/240 or 120/208 Volt, 60 Hertz, AC single Phase electrical supply.
- **GAS DRYER** Dryer needs a 120 Volt, 60 Hertz, polarized 3-slot effectively grounded receptacle.

**NOTE:** For more detailed information, refer to Section on *Electrical Requirements*.

## Gas

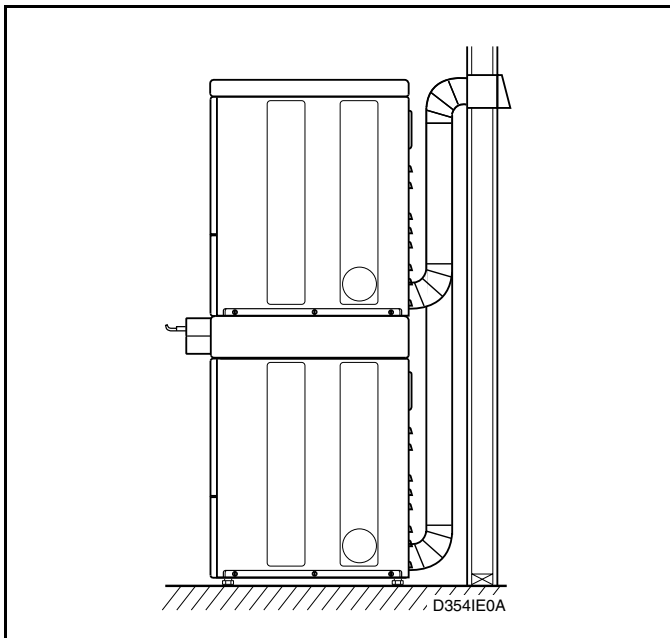
Dryer is equipped for Natural Gas with a 3/8" NPT gas supply connection. For more detailed information, refer to Section on *Gas Requirements*.

## Location

Place the dryer on a solid floor with an adequate air supply. For more detailed information, refer to Section on *Location Requirements*.

## Exhaust

Use rigid metal duct and exhaust the dryer to the outside by the shortest route possible.



**NOTE:** For more detailed information, refer to Section on *Dryer Exhaust Requirements*.

# Installing the Dryer . . .

## STEP 1:

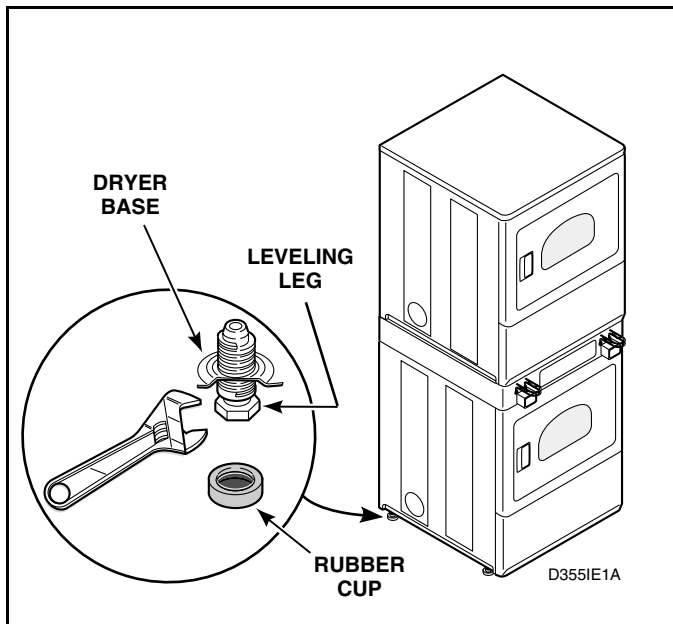
### Position and Level the Dryer Unit

For further assistance refer to Section on *Location Requirements*.

Install dryer before washer. This allows room for attaching exhaust duct.

Install the four rubber cups found in the accessory bag.

Place the dryer in position, and adjust the legs until the dryer is level.



## STEP 2:

### Connect Dryer Unit Exhaust System

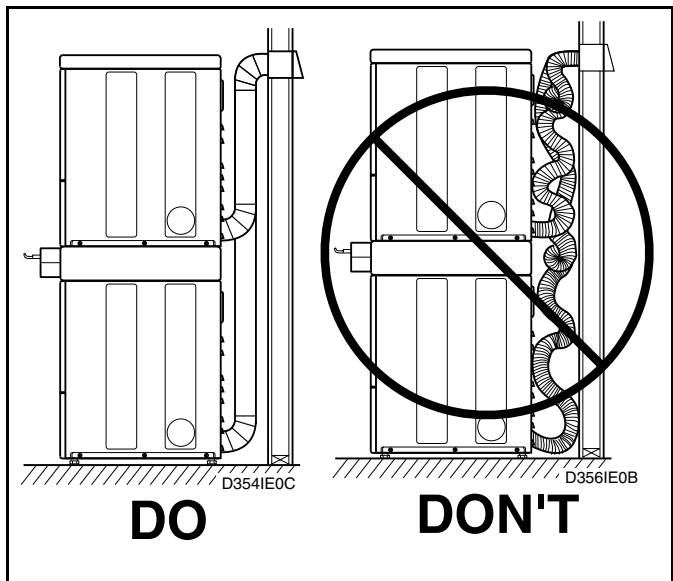
For further assistance refer to Sections on *Location Requirements* and *Dryer Exhaust Requirements*.



## WARNING

**A clothes dryer produces combustible lint. To reduce the risk of fire and combustion gas accumulation the dryer MUST be exhausted to the outdoors.**

- DO NOT use plastic or thin foil flexible ducting.
- Locate dryer so exhaust duct is as short as possible.
- Be certain old ducts are cleaned before installing your new dryer.
- Use 4" (10.2 cm) diameter rigid or flexible metal duct.
- Use as few elbows as possible.
- Use duct tape on all joints.
- **Failure to exhaust dryer properly will void warranty.**



**NOTE: Venting materials are not supplied with the dryer (obtain locally).**

**(continued)**

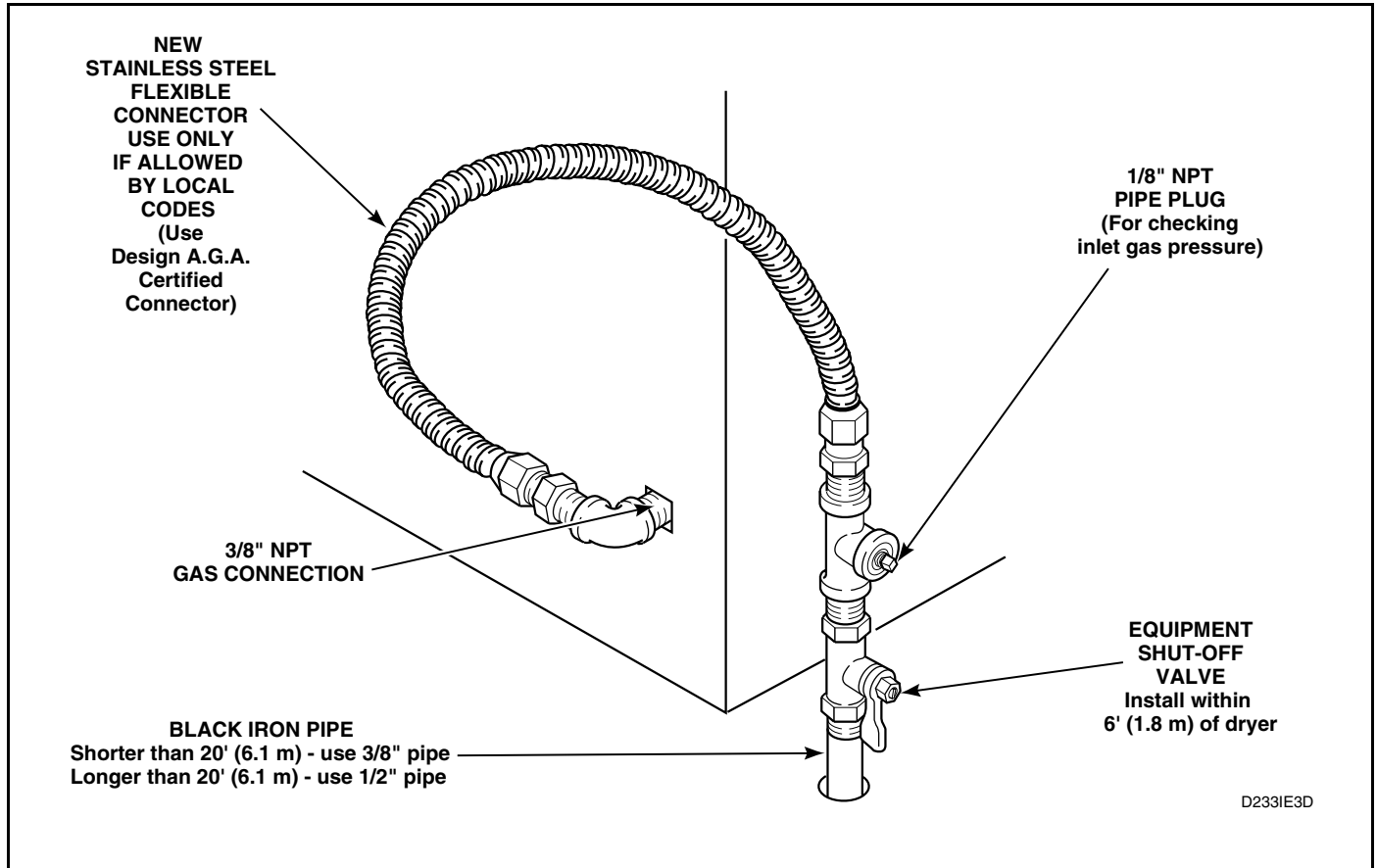
## STEP 3: (Gas Dryer ONLY)

### Connect Gas Supply Pipe

For further assistance, refer to Section on *Gas Requirements*.

1. Make certain dryer is equipped for use with the type of gas in laundry room. Dryer is equipped at the factory for Natural Gas with a 3/8" NPT gas connection.
2. Remove the shipping cap from the gas connection at the rear of the dryer. Make sure you do not damage the pipe threads when removing the cap.

3. Connect to gas supply pipe.
4. Tighten all connections securely. Turn on gas and check all pipe connections (internal & external) for gas leaks with a non-corrosive leak detection fluid.
5. For L.P. (propane) gas connection, refer to Section on *Gas Requirements*.

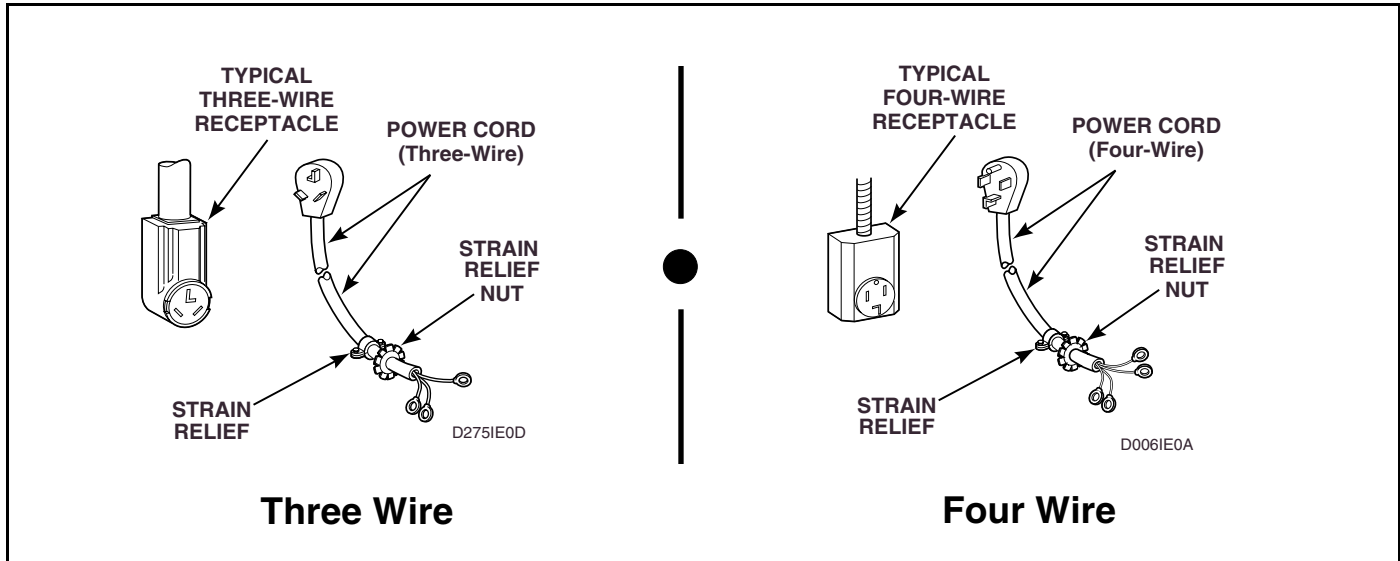


## STEP 4: (ELECTRIC DRYER ONLY)

### Connect Electrical Plug

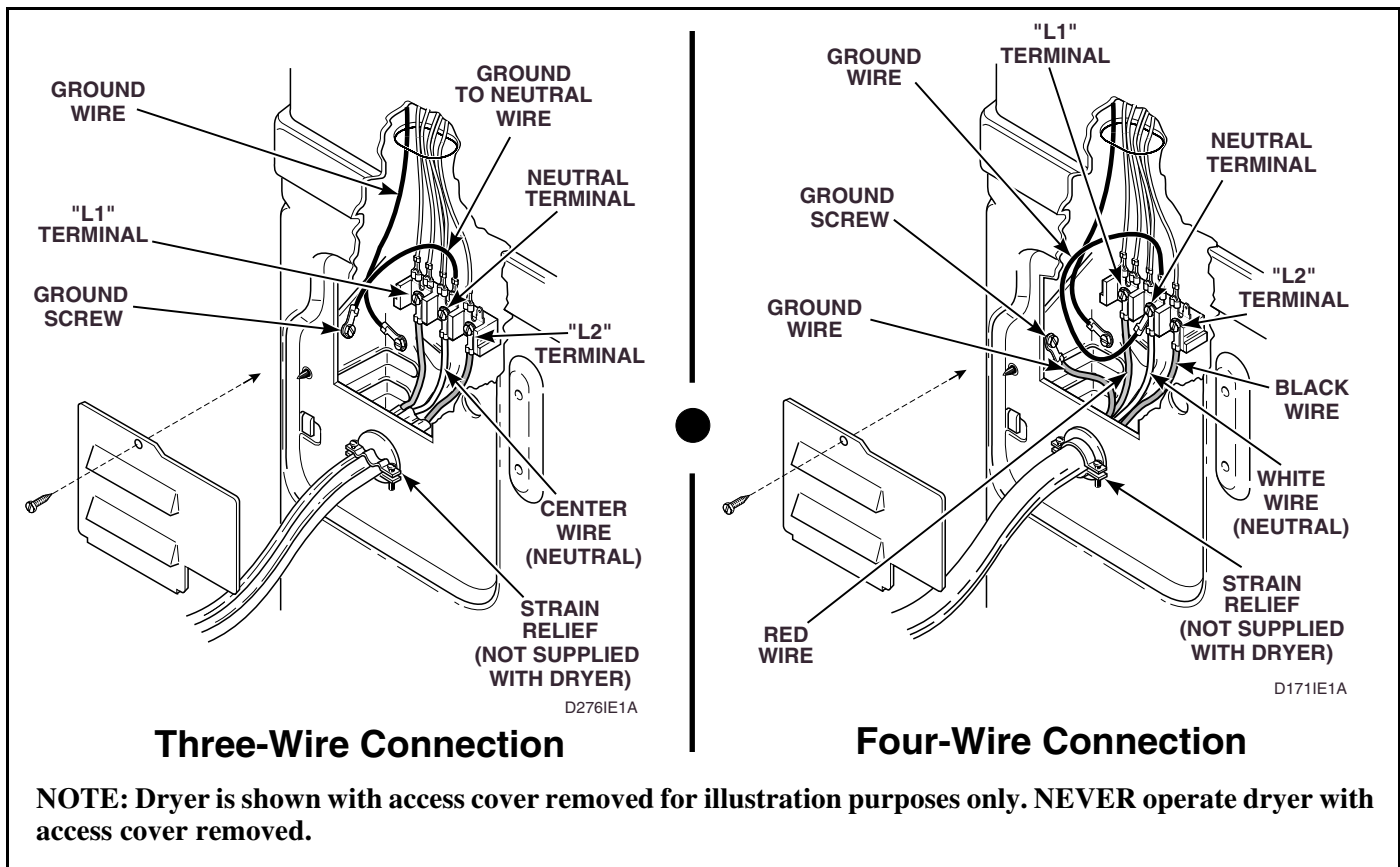
For further assistance, refer to Section on *Electrical Requirements*.

**IMPORTANT:** Use only a new U.L. listed No. 10 (copper wire only) three conductor power supply cord kit rated 240 Volts (minimum) 30 Amperes and labeled as suitable for use in a clothes dryer.



**NOTE:** For more detailed information on connecting three-wire or four-wire plugs, refer to Section on *Electrical Plug Connection*.

**NOTE:** Four-wire cord is required for mobile homes or where codes do not permit grounding through neutral.

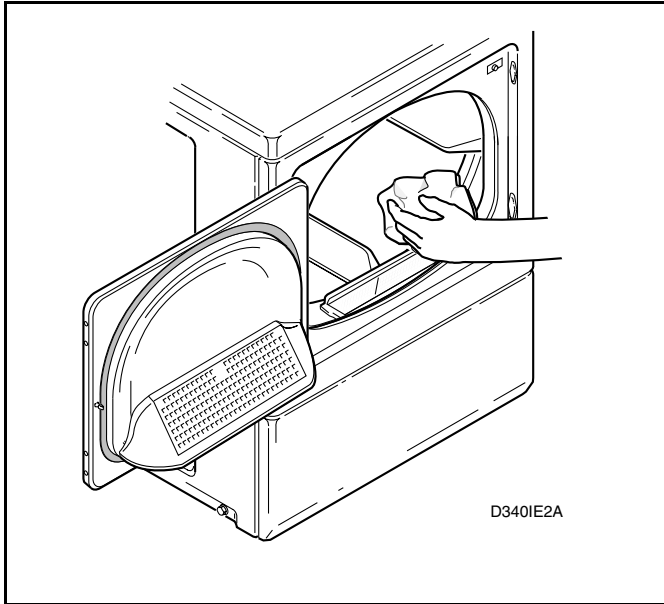


**NOTE:** Dryer is shown with access cover removed for illustration purposes only. **NEVER** operate dryer with access cover removed.

## STEP 5:

### Wipe Out Inside Of Each Dryer

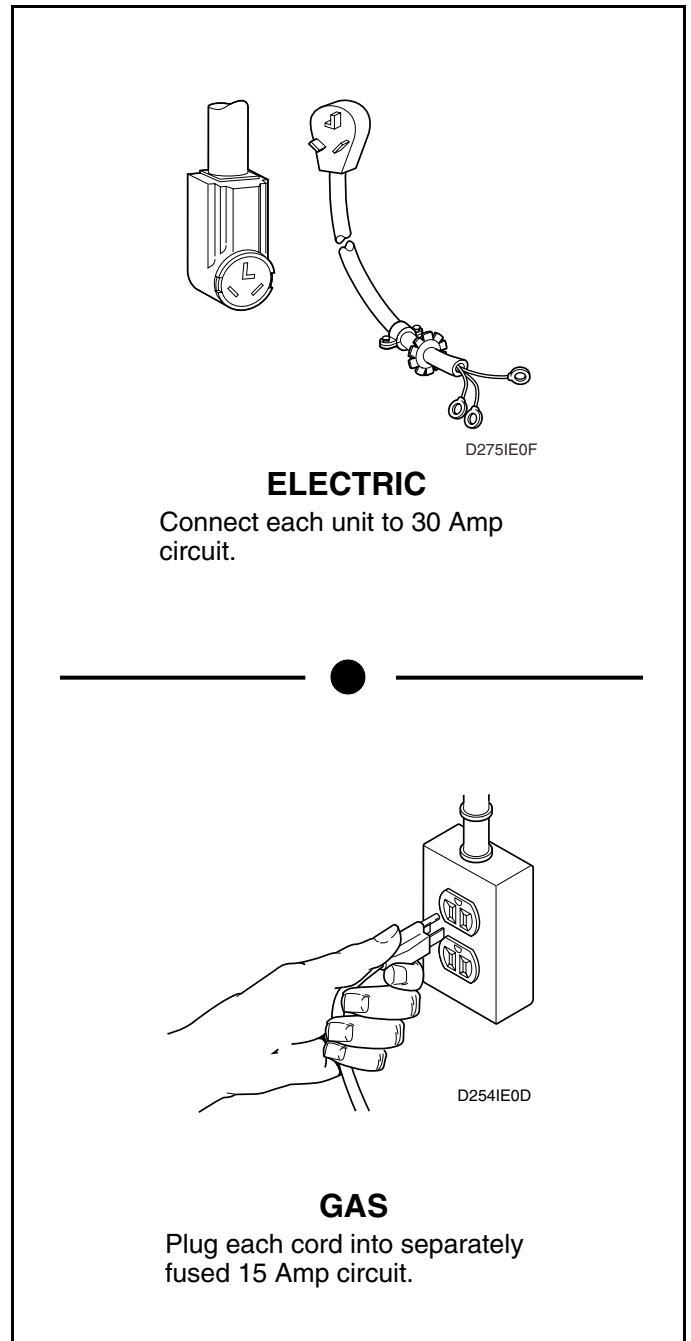
Before using dryer for the first time, use an all-purpose cleaner, or a detergent and water solution, and a damp cloth to remove shipping dust from inside dryer drum.



## STEP 6:

### Plug in the Dryer Unit

Refer to Section on *Electrical Requirements*, and connect the dryer to an electrical power source.



## STEP 7:

### Check Installation

Refer to *Installer Check* on the back cover of this manual and make sure that dryer is installed correctly.

# Heat Source Check . . .

## (Electric Dryers)

### Metered Models

Set the proper FABRIC SELECTOR switch at NORMAL. Place coins in the slide and carefully push slide in as far as possible. **IN USE** light will come on indicating the dryer is ready to operate. Close the loading door and press the PUSH-TO-START button firmly to start the dryer. After either dryer has operated for three minutes, the exhaust air or exhaust pipe should be warm.

### Nonmetered Models

Set FABRIC SELECTOR switch at NORMAL and turn timer knob to 50. Close the loading door and press the PUSH-TO-START button. **IN USE** light will come on indicating start of cycle. After either dryer has operated for three minutes, the exhaust air or exhaust pipe should be warm.

## (Gas Dryers)

During the gas heat check, observe the burner flame. The flame can be viewed by removing the lower front panel of the dryer.

### Metered Models

Set FABRIC SELECTOR switch at NORMAL. Place coins in the slide and carefully push slide in as far as possible. **IN USE** light will come on indicating the dryer is ready to operate. Close the loading door and press the PUSH-TO-START button firmly. The dryer will start, the igniter will glow red and the main burner will ignite.

### Nonmetered Models


Set FABRIC SELECTOR switch at NORMAL and turn timer knob to 50. Close the loading door and press the PUSH-TO-START button. **IN USE** light will come on indicating start of cycle, igniter will glow red and main burner will ignite.

**IMPORTANT:** If all air is not purged out of the gas line, the gas igniter may go off before the gas is ignited. If this happens, after approximately two minutes the igniter will again attempt gas ignition.

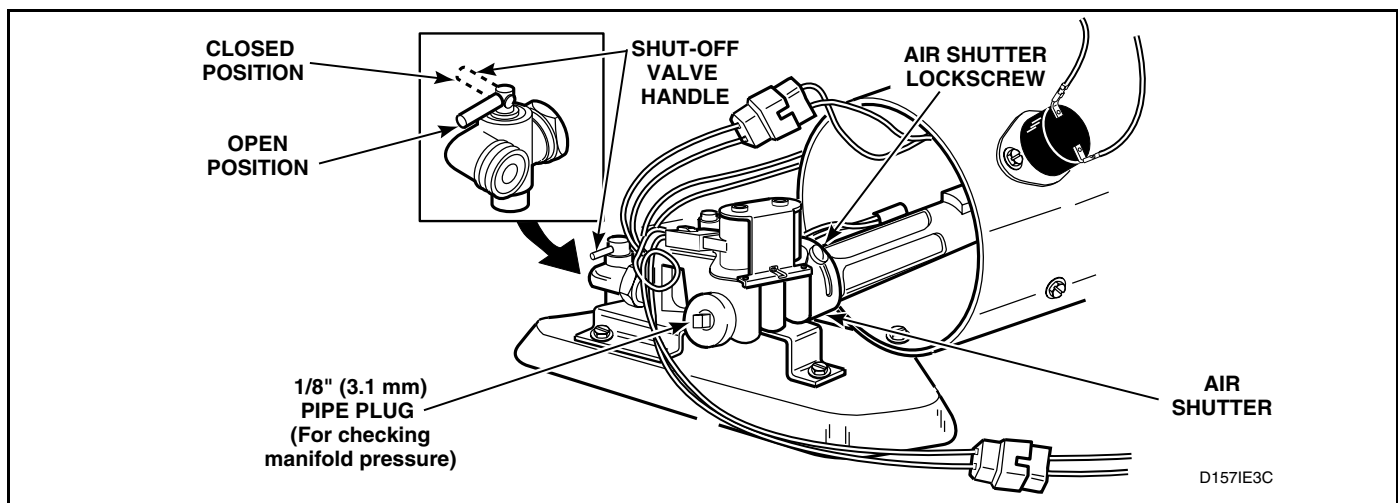
### All Models

After either dryer has operated for approximately five minutes, observe burner flame. Adjust the air shutter to obtain a soft, uniform blue flame. (A lazy, yellow tipped flame indicates lack of air. A harsh, roaring, very blue flame indicates too much air.) Adjust the air shutter as follows:

1. Loosen the air shutter lock screw.
2. Turn the air shutter to the left to get a luminous yellow tipped flame, then turn it back slowly to the right to obtain a steady soft blue flame.
3. After the air shutter is adjusted for proper flame, tighten the air shutter lock screw securely.
4. Reinstall the lower front panel.

	<b>WARNING</b>
<b>For personal safety, lower front panel must be in place during normal operation.</b>	
W046	

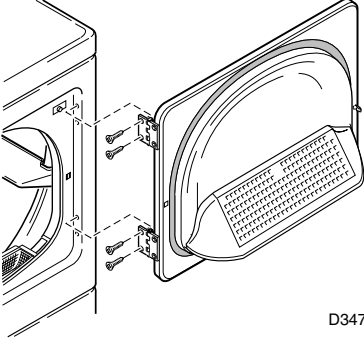
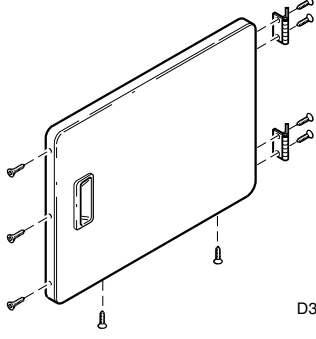
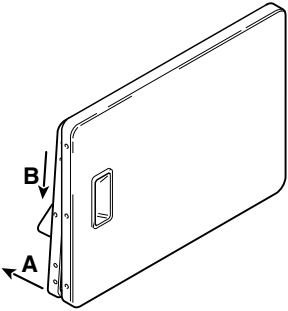
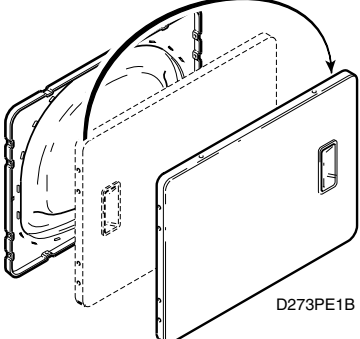
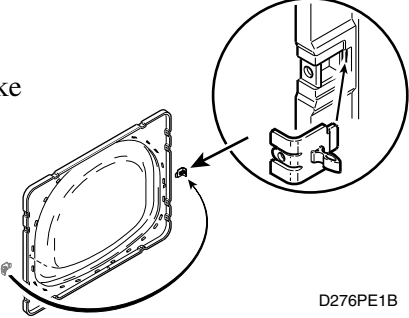
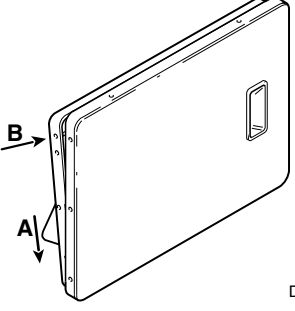
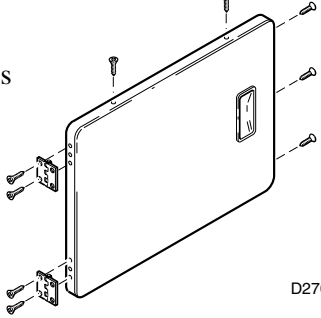
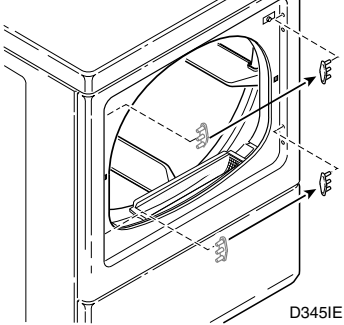
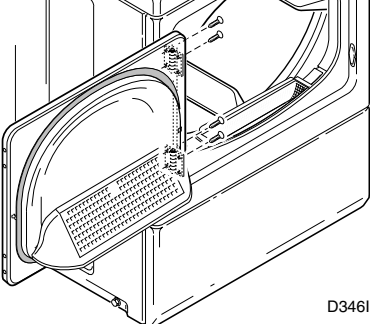
After either dryer has operated for approximately three minutes, the exhaust air or exhaust pipe should be warm.





# Reversing Door Procedure . . .

The door on this dryer is completely reversible. To reverse door proceed as follows:

<p><b>1</b></p> <p>Remove four hinge attaching screws.</p>  <p>D347IE1A</p>	<p><b>2</b></p> <p>Remove all nine screws.</p>  <p>D348IE1C</p>
<p><b>3</b></p> <p>Pull bottom of door liner out, then pull down, removing door liner from door panel.</p>  <p>D268PE1C</p>	<p><b>4</b></p> <p>Rotate door panel 180 degrees as shown.</p>  <p>D273PE1B</p>
<p><b>5</b></p> <p>Remove door strike from door liner and reinstall on opposite side.</p>  <p>D276PE1B</p>	<p><b>6</b></p> <p>Insert liner under flange on bottom of door, then push top of door liner into place.</p>  <p>D269PE1D</p>
<p><b>7</b></p> <p>Reinstall nine screws removed in Step 2.</p>  <p>D270PE1B</p>	<p><b>8</b></p> <p>Using a screwdriver, remove two door plugs, and reinstall on opposite side of door opening.</p>  <p>D345IE1B</p>
<p><b>9</b></p> <p>Reinstall four hinge attaching screws removed in Step 1.</p>  <p>D346IE1A</p>	

# Electrical Requirements . . .

## (Electric Dryers)

**(120/240 Volt, 60 Hertz, 3-Wire Installation)**

**(120/208 Volt, 60 Hertz, 3-Wire Installation)**

**NOTE:** The wiring diagram is located behind the control panel, inside the control cabinet.



### WARNING

To reduce the risk of fire, electric shock or personal injury, all wiring and grounding **MUST** conform with the latest edition of the National Electrical Code ANSI/NFPA 70 or the Canadian Electrical Code, CSA C22.1, and such local regulations as might apply. It is the customer's responsibility to have the wiring and fuses checked by a qualified electrician to make sure the laundry room has adequate electrical power to operate the dryer.

W035

## Grounding And Wiring Instructions

- Each dryer must be connected to a grounded metal, permanent wiring system; or an equipment-grounding conductor must be run with the circuit conductors and connected to the equipment-grounding terminal or lead on each dryer.
- Each dryer has its own terminal block that must be connected to a separate branch, 60 Hertz, single phase

circuit, AC (alternating current) circuit, **fused at 30 Amperes** (the circuit must be fused on both sides of the line). **ELECTRICAL SERVICE FOR THE DRYER UNIT SHOULD BE OF MAXIMUM RATED VOLTAGE LISTED ON THE NAMEPLATE. DO NOT CONNECT DRYER TO 110, 115, OR 120 VOLT CIRCUIT.** Heating elements are available for field installation in dryer units which are to be connected to electrical service of different voltage than that listed on nameplate, such as 208 Volt.

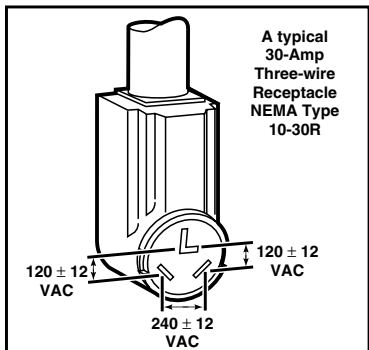
- If branch circuit to dryer unit is fifteen feet (4.5 m) or less in length, use U.L. (Underwriters Laboratories) listed No. 10 A.W.G. wire (copper wire only), or as required by local codes. If over fifteen feet (4.5 m), use U.L. (Underwriters Laboratories) listed No. 8 A.W.G. wire (copper wire only), or as required by local codes. Allow sufficient slack in wiring so dryer can be moved from its normal location when necessary.
- The power cord (pigtail) connection between wall receptacle and dryer unit terminal block **IS NOT supplied with dryer unit.** Type of pigtail and gauge of wire must conform to local codes and with instructions mentioned on the following pages.

The method of wiring the dryer unit is optional and subject to local code requirements. See examples below.

**NOTE:** The power cord (pigtail) is **NOT** supplied with the electric dryer. Type of pigtail and gauge of wire must conform to local codes and instructions.

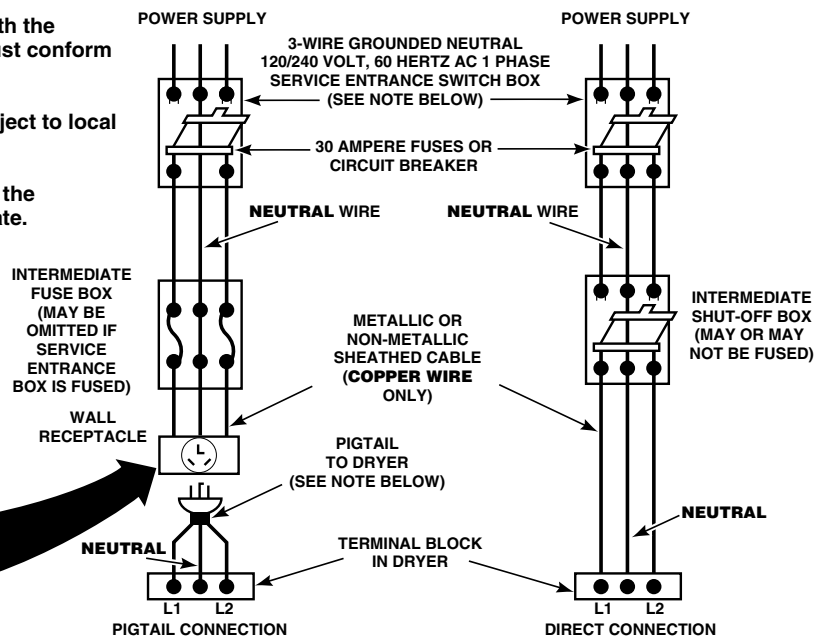
The method of wiring the dryer is optional and subject to local code requirements.

**NOTE:** Connect the dryer to the power supply with the **MAXIMUM RATED VOLTAGE** listed on the nameplate.



A typical 30-Amp Three-wire Receptacle NEMA Type 10-30R

**NOTE:** Use **COPPER WIRE** only.  
Shorter than 15' (4.5 m) use 10 A.W.G.  
Longer than 15' (4.5 m) use 8 A.W.G.



D003IE3A

# Electrical Connection . . .

## (Three-Wire Power Cord)



### WARNING

The dryer unit is grounded to neutral conductor at the terminal block. If local codes do not permit grounding through the neutral, proceed as shown on *Four Wire Connection* instructions.

W148

To reduce the risk of electric shock, disconnect the electrical service to the dryer unit before proceeding.

W149

1. Remove the screw and terminal block access cover from the rear of the dryer unit cabinet.
2. Insert ends of direct wire through power supply hole (containing proper strain relief) in rear of dryer unit cabinet. See following page. Connect the power cord, or direct wiring, to the appropriate terminal block terminals using the **three wire-binding (10-32x3/8") screws from the accessories pack in the envelope shipped inside the dryer unit**

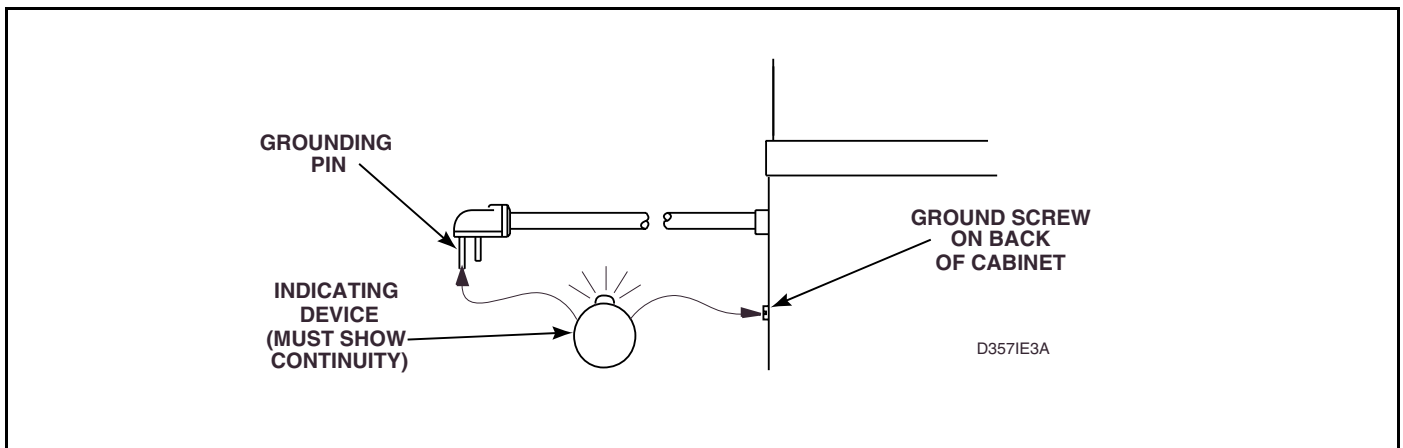
cylinder. If the dryer unit had previously been connected with a four-wire power cord, remove the four-wire power cord by reversing procedures under *Four-Wire Power Cord* instructions.

**IMPORTANT:** Use only a U.L. listed No. 10 AWG (copper wire only) three conductor power supply cord kit rated 240 Volts (minimum) 30 Amperes and labeled as suitable for use in a clothes dryer unit.

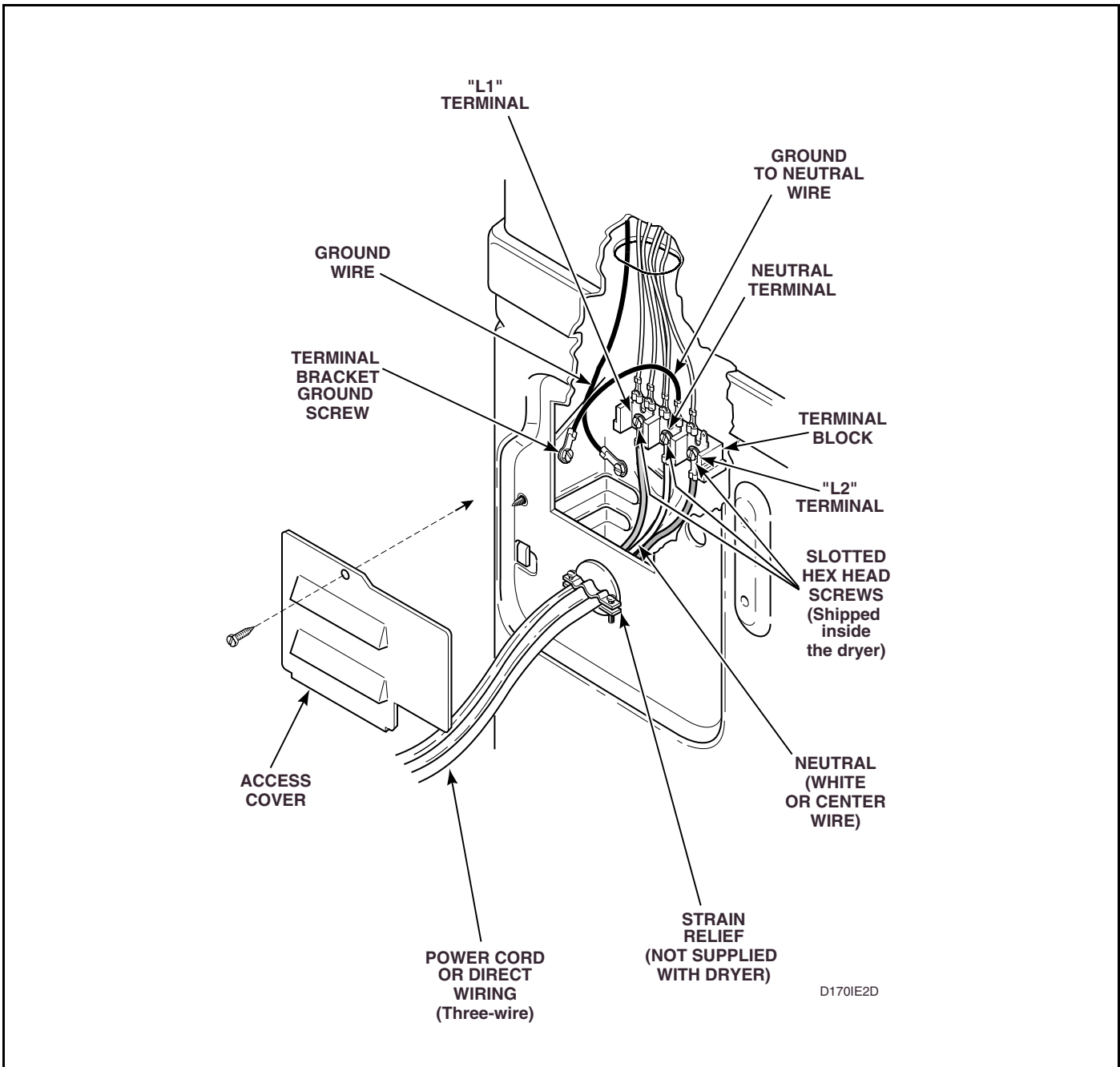
3. Tighten these wire-binding screws firmly.

**IMPORTANT:** Failure to tighten these screws firmly may result in wire failure at the terminal block.

4. Secure the strain relief to the power cord, or wires, where they enter the dryer unit cabinet.
5. Check the continuity of the ground connection before plugging the cord into an outlet. Use an acceptable indicating device connected to the center grounding pin of the plug and the green screw on the back of the cabinet.
6. Reinstall access cover and screw.



## Three Wire Connection



### WARNING

Dryer unit is shown with the access cover removed for illustration purposes only. To reduce the risk of an electric shock, **NEVER** operate the dryer unit with the access cover removed.

W150

## (Four-Wire Power Cord)

**IMPORTANT:** Use only a U.L. listed No. 10 AWG (copper wire only) four conductor power supply cord kit rated 240 Volts (minimum) 30 Amperes and labeled as suitable for use in a clothes dryer unit.

**NOTE:** The power cord is not supplied with the dryer unit when the dryer unit is shipped from the factory, therefore, disregard steps 2 and 3 below when connecting a four-wire power cord to a new dryer unit.

If the dryer unit has a three-wire cord attached, then complete steps 1 through 12.



### WARNING

To reduce the risk of electrical shock, disconnect the electrical power to the dryer unit before proceeding.

W151

1. Remove the screw holding the access plate to the rear of the dryer unit cabinet.
2. Remove the three screws holding the three wires to the terminal block terminals. **Save these screws.**
3. Loosen the strain relief screw and pull the cord or wires out through the rear of the dryer unit.
4. Remove the terminal bracket ground screw holding the ground wire to the terminal block mounting bracket. **Save the screw.**

**NOTE:** ON NEW DRYER UNITS, this is the ground wire that goes from the neutral (center) terminal on the terminal block to the mounting bracket.

### Install four-wire power cord

5. Route the end of the four-wire power cord through the strain relief. **DO NOT** tighten the strain relief screws at this time.
6. Insert the end of power cord and strain relief through the hole in the rear of the dryer unit cabinet. Install the strain relief nut from the inside of the cabinet and tighten firmly.
7. Attach the green ground wire (from the four-wire power cord) to the terminal block mounting bracket using the hex head screw removed in Step 4. Tighten the screw firmly.

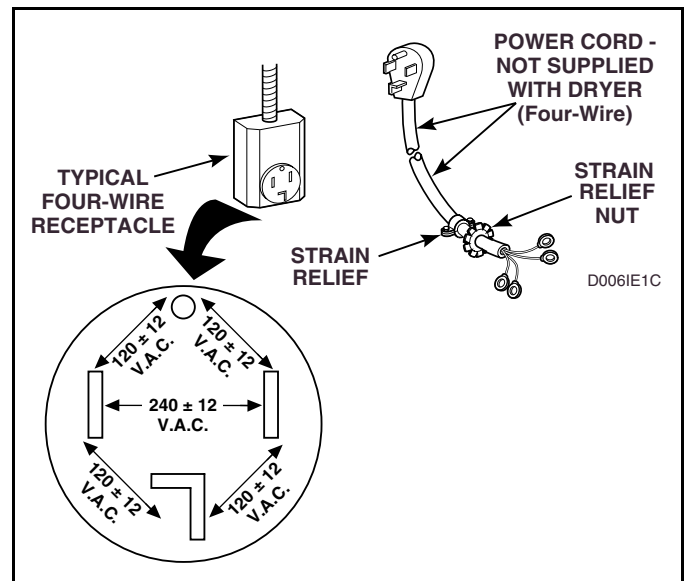
8. Using the **three wire-binding** (10-32x3/8") screws from the accessories envelope located inside the cylinder (unless the screws were previously removed in Step 2), attach the power cord wires to the terminal block terminals as follows:

- a. Red to Red
- b. Black to Black
- c. White to White (see NOTE below)

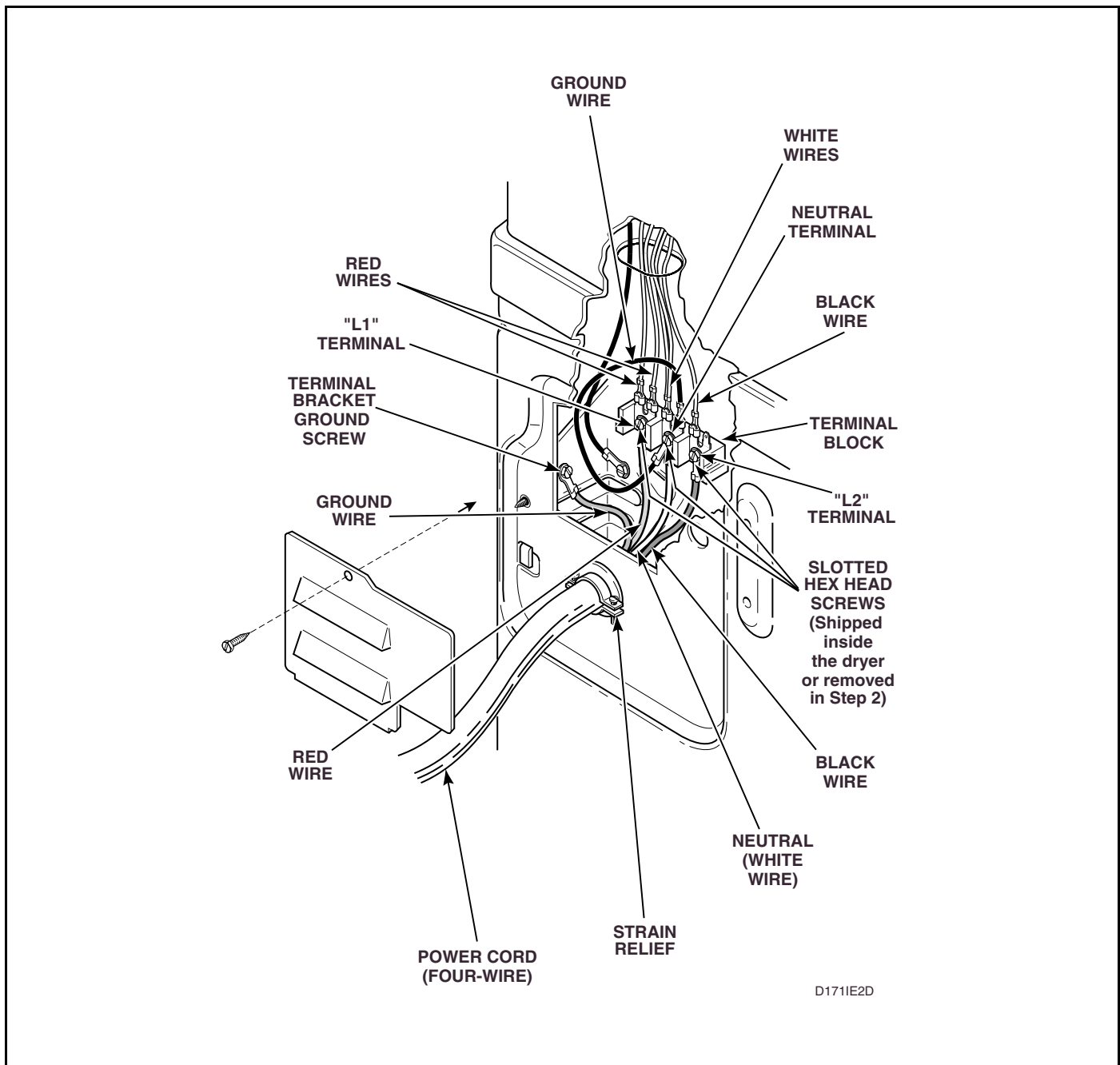
**NOTE:** When installing the white wire, loop the free eyelet end of the ground wire (from Step 4) and place it together with the white wire and attach both wires to the neutral (center) terminal on the terminal block. See following page.

**IMPORTANT:** Failure to tighten the nuts firmly on the terminal block may result in power cord wire failure.

9. Tighten the two strain relief screws to secure the power cord.
10. Recheck all screws to be sure they are tight.
11. Check the continuity of the ground connection before plugging the cord into an outlet. Use an acceptable indicating device connected to the center grounding pin of the plug and the green screw on the back of the cabinet. See illustration on following page.
12. Reinstall the access plate and screw to the rear of the dryer unit cabinet.



## Four Wire Connection



### WARNING

Dryer unit is shown with the access cover removed for illustration purposes only. To reduce the risk of an electric shock, NEVER operate the dryer unit with the access cover removed.

W150


# Electrical Requirements . . .

## (Gas Dryers)

**(120 Volt, 60 Hertz, With 3-Prong Grounding Plug)**

**NOTE:** The wiring diagram is located behind the control panel, inside the control cabinet.

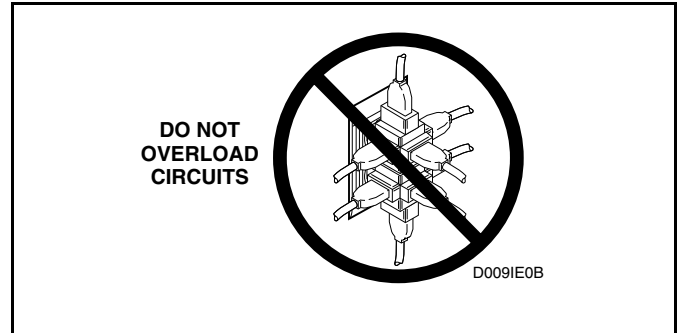
See illustration below.


 **WARNING**

To reduce the risk of fire, electric shock or personal injury, all wiring and grounding **MUST** conform with the latest edition of the National Electrical Code ANSI/NFPA 70 or the Canadian Electrical Code, CSA C22.1, and such local regulations as might apply. It is the customer's responsibility to have the wiring and fuses checked by a qualified electrician to make sure the laundry room has adequate electrical power to operate the dryer.

W035


- Each dryer is designed to be operated on a separate branch, polarized, three-wire, effectively grounded, 120 Volt, 60 Hertz, AC (alternating current) circuit protected by a **15 ampere fuse**, equivalent fuse-tron or circuit breaker.
- The three-prong grounding plug on the power cord should be plugged directly into a polarized three-slot effectively grounded receptacle rated 120 Volts AC (alternating current) 15 Amps. See illustration below for determining correct polarity of the wall receptacle.



 **WARNING**

To reduce the risk of an electric shock or fire, **DO NOT** use an extension cord or an adapter to connect the dryer unit to the electrical power source.

W152

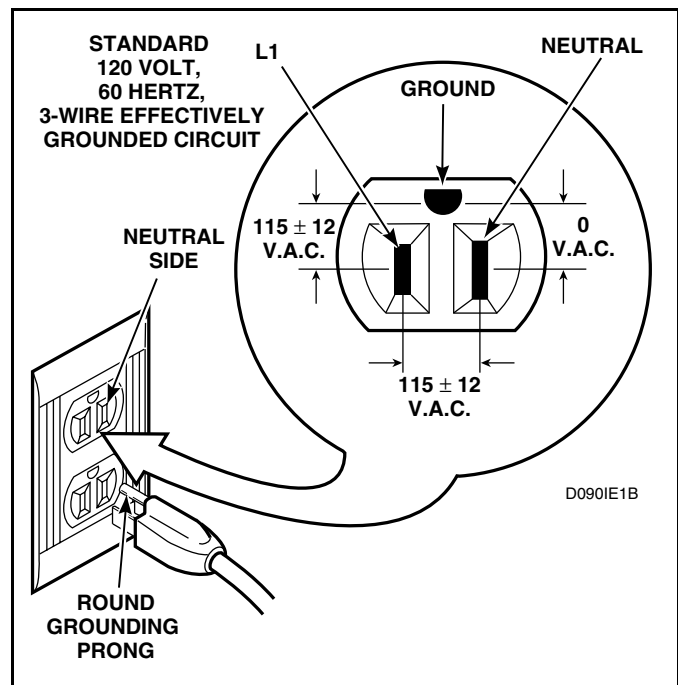
 **WARNING**

This dryer is equipped with a three-prong (grounding) plug for your protection against shock hazard and should be plugged directly into a properly grounded three-prong receptacle. Do not cut or remove the grounding prong from this plug.

W036

**NOTE:** A qualified electrician should check the polarity of the wall receptacles. If a voltage reading is measured other than that illustrated, the qualified electrician should correct the problem.

- **DO NOT OPERATE OTHER APPLIANCES ON THE SAME CIRCUIT WHEN THIS APPLIANCE IS OPERATING. DO NOT OVERLOAD CIRCUITS!**



## Grounding Instructions

- The dryer unit must be grounded. In the event of malfunction or breakdown, grounding will reduce the risk of electric shock by providing a path of least resistance for electric current. The dryer unit is equipped with a cord having an equipment-grounding conductor and a three prong grounding plug. The plug must be plugged into an appropriate outlet that is properly installed and grounded in accordance with all local codes and ordinances.

- **DO NOT** modify the plug provided with the dryer unit—if it will not fit the outlet, have a proper outlet installed by a qualified electrician.
- If the laundry room's electrical supply does not meet the above specifications and/or if you are not sure the laundry room has an effective ground, have a qualified electrician or your local electrical utility company check it and correct any problems.



### WARNING

**Improper connection of the equipment-grounding conductor can result in a risk of electric shock. Check with a qualified electrician or service person if you are in doubt as to whether the dryer unit is properly grounded.**

W153



# Gas Requirements . . .

## (Gas Dryers)

**NOTE:** The gas service to a gas dryer unit must conform with the local codes and ordinances, or in the absence of local codes and ordinances, with the latest edition of the National Fuel Gas Code ANSI Z223.1/ NFPA 54 or the CAN/CGA-B149, National Gas Installation Code.

Natural Gas, 1,000 Btu/ft<sup>3</sup> (37.3 MJ/m<sup>3</sup>), service must be supplied at 6.5 ± 1.5 inch water column pressure.

For proper operation at altitudes above 2,000 feet (610 m) the natural gas valve spud orifice size must be reduced to ensure complete combustion. See table at right.

L.P. (propane) Gas, 2,500 Btu/ft<sup>3</sup> (97.1 MJ/m<sup>3</sup>), service must be supplied at 10 ± 1.5 inch water column pressure.

**NOTE:** DO NOT connect the dryer unit to L.P. (propane) Gas Service without converting the gas valve. A 458P3 L.P. (propane) Gas Conversion Kit must be installed by the Manufacturer's Authorized Dealers, Distributors, or local service personnel.

**NOTE:** The dryer unit and its individual shut-off valve must be disconnected from the gas supply piping system during any pressure testing of that system at test pressures in excess of 1/2 psi (3.45 kPa).

The dryer unit must be isolated from the gas supply piping system by closing its individual manual shut-off valve during any pressure testing of the gas supply piping system at test pressures equal to or less than 1/2 psi (3.45 kPa)

**NOTE:** When connecting to a gas line, an equipment shutoff valve must be installed within 6' (1.8 m) of the dryer. An 1/8" N.P.T. pipe plug must be installed as shown. See illustration.



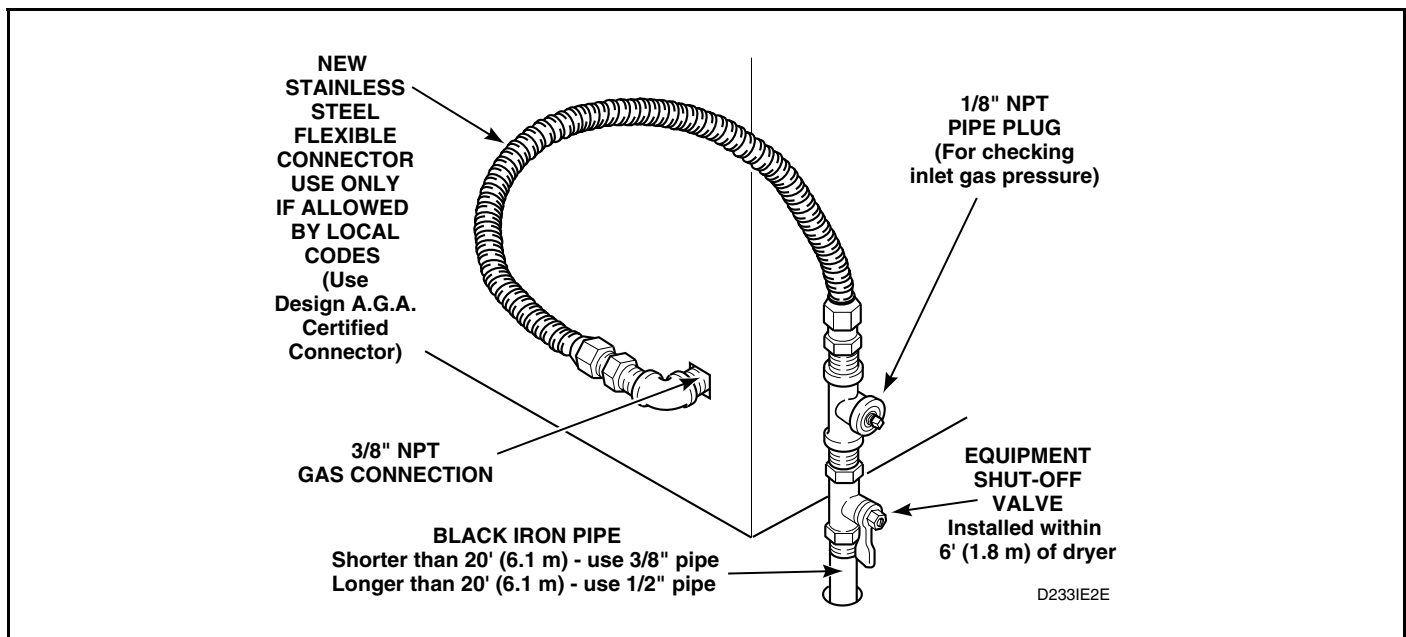
### WARNING

To reduce the risk of gas leaks, fire or explosion:

- The dryer unit must be connected to the type of gas as shown on nameplate located in the door recess.
- Use a new flexible stainless steel connector.
- Use pipe joint compound insoluble in LP (propane) Gas, or Teflon tape, on all pipe threads.
- Purge air and sediment from gas supply line before connecting it to the dryer unit. Before tightening the connection, purge remaining air from gas line to dryer unit until odor of gas is detected. This step is required to prevent gas valve contamination.
- Do not use an open flame to check for gas leaks. Use a non-corrosive leak detection fluid.

W154R2

Altitude		Orifice Size			Part Number
ft	m	#	Inches	mm	
2000	610	41	0.0960	2.44	503776
3000	915	42	0.0935	2.37	503777
5500	1680	43	0.0890	2.26	503778
7000	2135	44	0.0860	2.18	58719
9000	2745	45	0.0820	2.08	503779
10500	3200	46	0.0810	2.06	503780



# Location Requirements . . .

Select a location with a solid floor.

No other fuel burning appliance should be installed in the same closet with the dryer unit.

The dryer unit must not be installed or stored in an area where it will be exposed to water and/or weather.

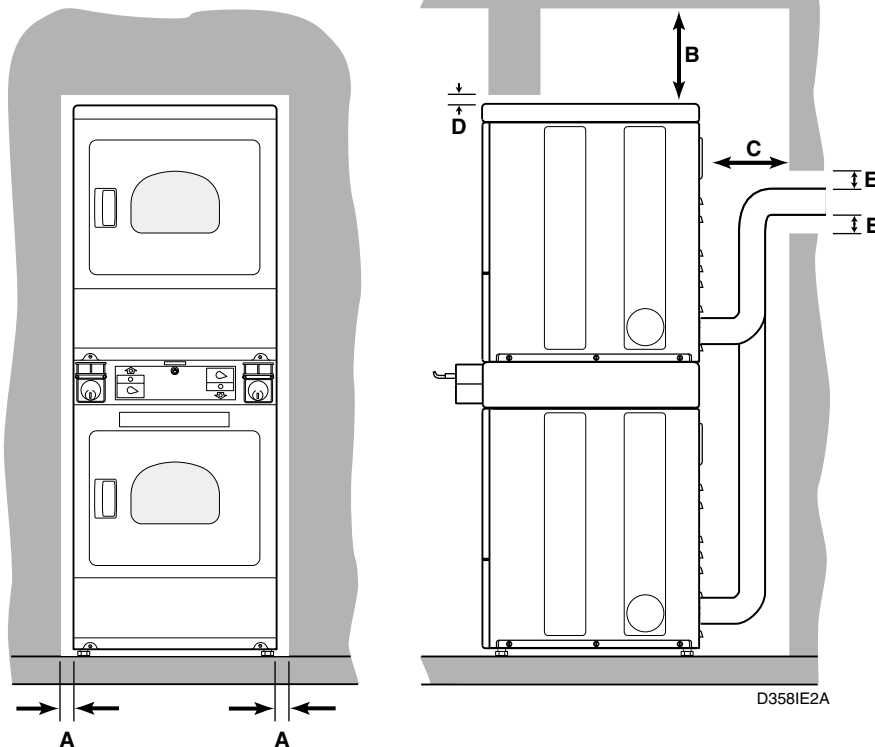
Leveling legs can be adjusted from inside the dryer unit with a 1/4" driver. All four legs must rest firmly on the floor so the weight of the dryer is evenly distributed. The dryer unit must not rock.

**IMPORTANT: Unless completely assembled, DO NOT slide the dryer unit across the floor. DO NOT slide the unit once the leveling legs have been extended, as the legs and the base could become damaged.**


The dryer unit needs sufficient clearance and an adequate air supply for proper operation and ventilation, and for easier installation and servicing. (Minimum clearances are shown below.)

Dryer And Exhaust Duct Clearances		
Area	Description	Minimum Clearance
A	Dryer Sides	0" (0 cm)
B	Dryer Top (Rear 24")	2" (5.1 cm)
C	Dryer Rear	4" (10.2 cm)
D	Dryer Top (Front 4")	0" (0 cm)
E	Exhaust Duct from Combustible Construction	2" (5.1 cm)

**NOTE: Shaded areas indicate adjacent structure.**



# Dryer Exhaust Requirements . . .

 <b>WARNING</b>
<p>A clothes dryer produces combustible lint. To reduce the risk of fire and combustion gas accumulation the dryer <b>MUST</b> be exhausted to the outdoors.</p> <p style="text-align: right;">W116</p>
<p>This gas appliance contains or produces a chemical or chemicals which can cause death or serious illness and which are known to the State of California to cause cancer, birth defects, or other reproductive harm. To reduce the risk from substances in the fuel or from fuel combustion, make sure this appliance is installed, operated, and maintained according to the instructions in this manual.</p> <p style="text-align: right;">W115</p>
<p>To reduce the risk of fire and the accumulation of combustion gases, <b>DO NOT</b> exhaust dryer air into a window well, gas vent, chimney or enclosed, unventilated area, such as an attic, wall, ceiling, crawl space under a building or concealed space of a building.</p> <p style="text-align: right;">W045</p>
<p>To reduce the risk of fire, <b>DO NOT</b> use plastic pipe or flexible plastic pipe to exhaust the dryer.</p> <p style="text-align: right;">W041</p>

Never install flexible duct in concealed spaces, such as a wall or ceiling.

## Exhaust System Materials

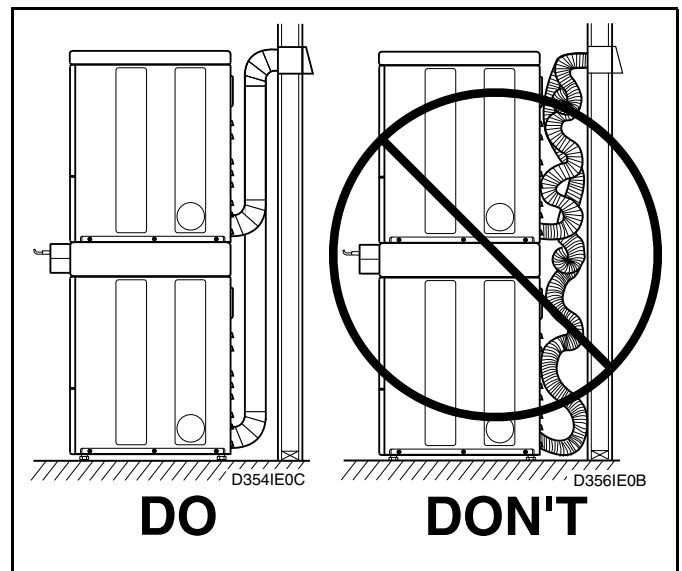
Exhaust system materials are not supplied with the dryer unit.

Exhaust duct must be four inches (10.2 cm) in diameter having no obstructions. Rigid metal duct is recommended. Non-combustible semi-rigid flexible metal duct is acceptable. **Do not use** plastic pipe or flexible plastic pipe, because it contributes to poor drying performance and collects lint, which can lead to a fire hazard.

**DO NOT** use sheet metal screws on exhaust pipe joints or other fastening means which extend into the duct that could catch lint and reduce the efficiency of the exhaust system. Secure all joints with duct tape.

**NOTE:** Kits described above are optional exhaust system materials available at extra cost.

DESCRIPTION	KIT P/N	MAY BE OBTAINED LOCALLY
Exhaust Duct (4" Dia.)	Not Available	Yes
Flexible Metal Duct (4" Dia)	521P3	Yes
Weather Hoods, with hinged dampers (4")	Not Available	Yes
Directional Exhaust Kit	528P3	No
Tape	Not Available	Yes



## Make-Up Air Requirements

A dryer unit exhausts 214 cfm (measured at back of dryer unit) and sufficient make-up air must be supplied to replace air exhausted by each dryer unit.

An unobstructed opening of at least 40 square inches (260 cm<sup>2</sup>) of outdoor make-up air **MUST** be provided for **each** dryer unit. Protective louvers in the opening to the outdoors can reduce air movement approximately 35 to 40 percent. Be sure the opening is large enough to compensate for any louvers.

If it is necessary to duct make-up air to the dryer unit, increase the area of the ductwork by 25 percent to compensate for any reduction in air movement. In addition, the make-up air duct should extend down to within approximately two feet from the floor, directly behind the dryer unit.

# Exhaust System

**IMPORTANT:** Keep exhaust duct as short as possible.

**NOTE:** Be certain old ducts are cleaned before installing your new dryer unit.

For best drying results, recommended maximum length of exhaust system is shown below.

To prevent backdraft when dryer unit is not in operation, outer end of exhaust pipe must have a weather hood with hinged dampers (obtain locally).

**NOTE:** Weather hood should be installed at least 12 inches (30.5 cm) above the ground. Larger clearances may be necessary in areas where heavy snowfall can occur.

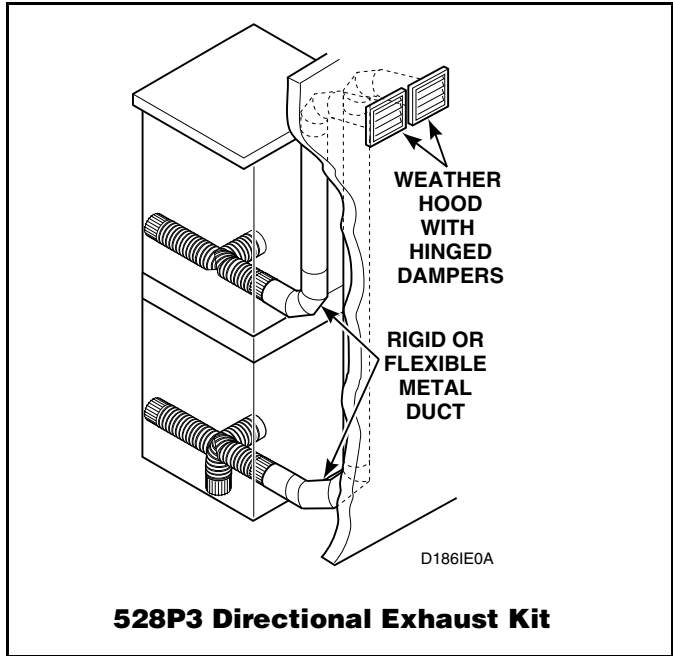
## Exhaust Direction

The dryer unit can be exhausted to the outdoors through the back, left, right or bottom of the dryer unit.

**EXCEPTION:** Gas dryers cannot be vented out the left side because of the burner housing.

Dryer unit is shipped from factory ready for rear exhaust; **no kits required.**

Exhausting the dryer through sides or bottom (lower dryer only) can be accomplished by installing a Directional Exhaust Kit 528P3 available as optional equipment at extra cost.



Number of 90° Elbows	Weather Hood Type	
	Recommended	Use only for short run installations
	<p>4" (10.16 cm) D011IE2D</p>	<p>2-1/2" (6.35 cm) D011IE2E</p>
	<b>Maximum length of 4" (10.2 cm) diameter rigid metal duct.</b>	
0	44 feet (13.4 m)	34 feet (10.4 m)
1	34 feet (10.4 m)	26 feet (7.9 m)
2	26 feet (7.9 m)	20 feet (6.1 m)
3	20 feet (6.1 m)	14 feet (4.3 m)
	<b>Maximum length of 4" (10.2 cm) diameter flexible metal duct.</b>	
0	24 feet (7.3 m)	20 feet (6.1 m)
1	20 feet (6.1 m)	16 feet (4.9 m)
2	16 feet (4.9 m)	12 feet (3.7 m)
3	12 feet (3.7 m)	8 feet (2.4 m)

**NOTE:** Deduct 6 feet (1.8 m) for each additional elbow.

**(continued)**

## Exhaust System Maintenance

The dryer unit interior and the complete exhaust system should be inspected after one year of use and cleaned if necessary. Inspect and clean exhaust duct every one to two years as required thereafter. The weather hood should be checked frequently to make sure the dampers move freely, dampers are not pushed in and that nothing has been set against them. This maintenance work should be done by a qualified service person.



### WARNING

To reduce the risk of electric shock, disconnect the electrical service to the dryer before cleaning.

W043

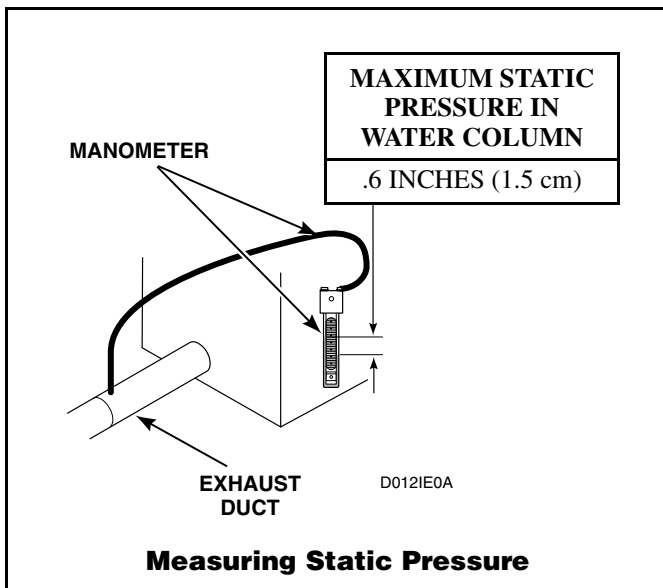
Exhausting the dryer unit in hard-to-reach locations can be accomplished by installing the 521P3 Flexible Metal Vent Kit, available as optional equipment at extra cost. The kit comes in two halves that can be separately attached to the dryer unit, the wall outlet and to each other. Once attached, the dryer can be slid back into position.

## Dryer Airflow

Efficient dryer unit operation requires proper dryer airflow. Proper dryer unit airflow can be evaluated by measuring the static pressure.

Static pressure in the dryer unit's exhaust duct should be no greater than that shown in the chart below. (Check with dryer unit running and no load.)

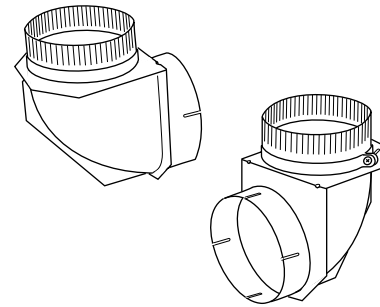
**NOTE:** This can be measured with a manometer placed on the exhaust duct approximately two feet (61 cm) from the dryer unit, see illustration below.



**IMPORTANT: DO NOT** block the airflow at the bottom of the dryer unit's front panel with laundry, rugs, etc. Blockage will decrease airflow through the dryer unit, thus reducing the efficiency of the dryer unit.

## Reduced Clearance Elbow

Installing the dryer unit in shallow closets can be accomplished by using an Elbow, Part No. 62688, which is one inch narrower than a standard venting elbow.

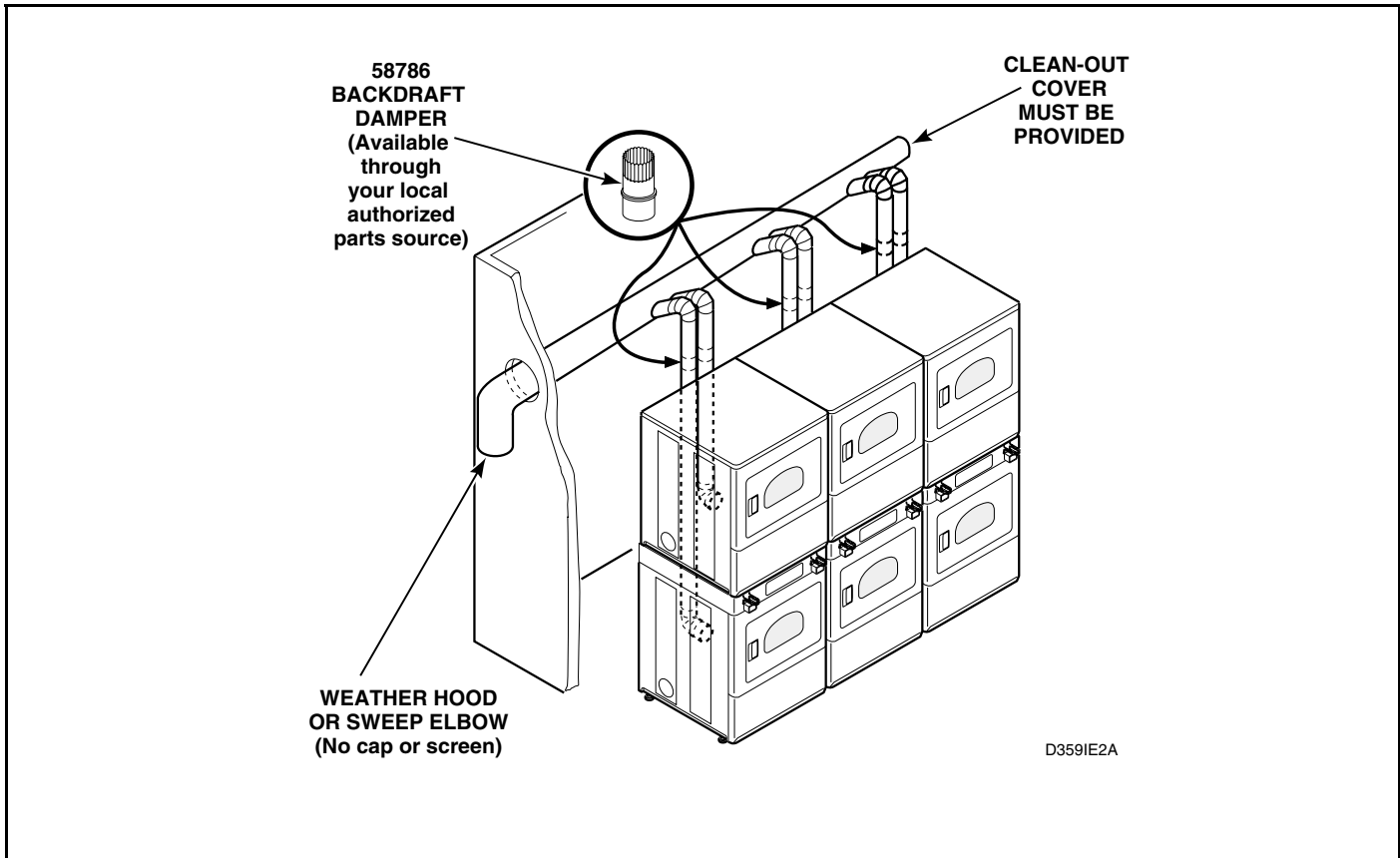


D319IE0A

**Reduced Clearance Elbow**

# Multi-dryer Installation Exhaust Requirements . . .

- The illustration below shows a typical example of a multiple dryer installation. Note how each dryer has its own exhaust system vented to the central exhaust duct.



**IMPORTANT:** Static pressure in each dryer's exhaust duct should be no greater than that shown in the chart on Page 28. This can be measured with a manometer placed on the exhaust duct approximately two feet (61 cm) from the dryer. See Page 28. All dryers connected to the main collector duct should be in operation when pressure is checked.

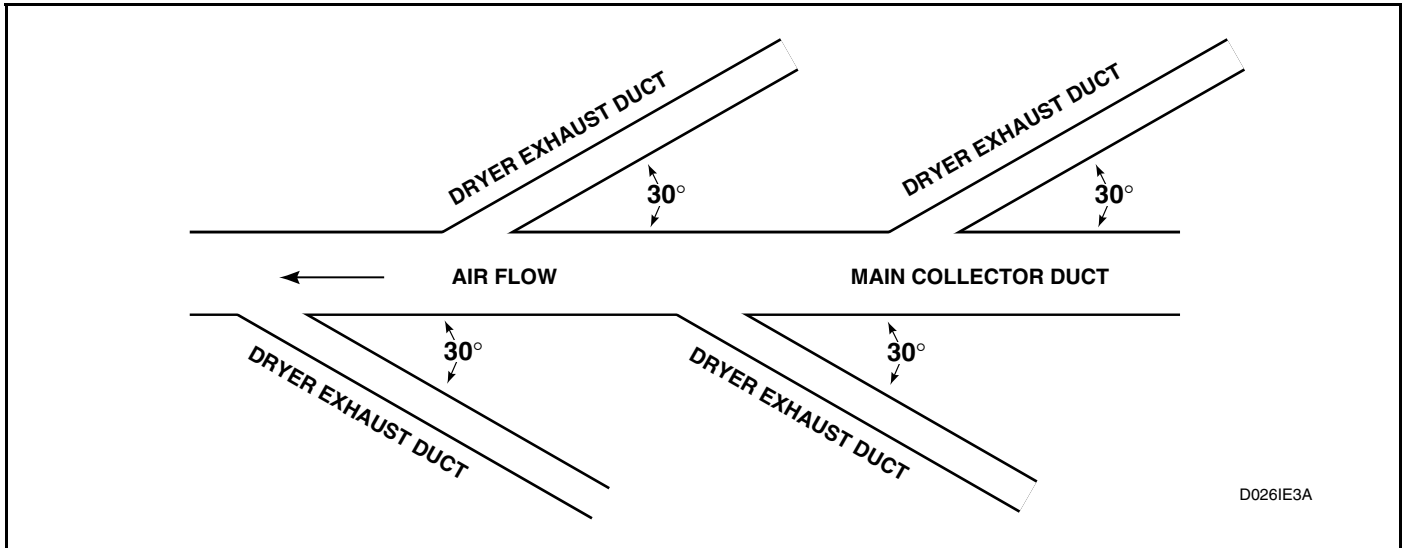
Installing an exhaust system does not eliminate the necessity of cleaning the dryer lint filter before each load. The dryer interior and the complete exhaust system should be cleaned periodically by a qualified service person to remove any lint build-up.

	<b>WARNING</b>
<b>To reduce the risk of electric shock, disconnect the electrical service to the dryer before cleaning.</b>	
W043	

**IMPORTANT: DO NOT** block the airflow at the bottom of the dryer's front panel with laundry, rugs, etc. Blockage will decrease airflow through the dryer, thus reducing the efficiency of the dryer.

**(continued)**

- Dryer unit exhaust duct should enter the main duct at an angle of no more than 30° pointing in the direction of the air flow. Ducts entering the main duct from opposite sides should be staggered so as not to oppose each other. See illustration below.
- Provisions should be made for periodic lint removal and cleaning of the main collector duct.



- The outside end of the main duct should have a weather hood (with hinged dampers) installed to prevent passage of weather elements, insects, dust, and dirt into the dryer units.
- If a weather hood cannot be used, the outside end of the main duct should have a sweep elbow installed, and be directed downward as shown on the following page. If the main duct travels vertically through a roof rather than through a wall, install 180° sweep elbow on the end of the duct with outlet at least 24 inches (61 cm) above the highest part of the building.

- Sufficient make-up air must be supplied to replace air exhausted from dryer units.

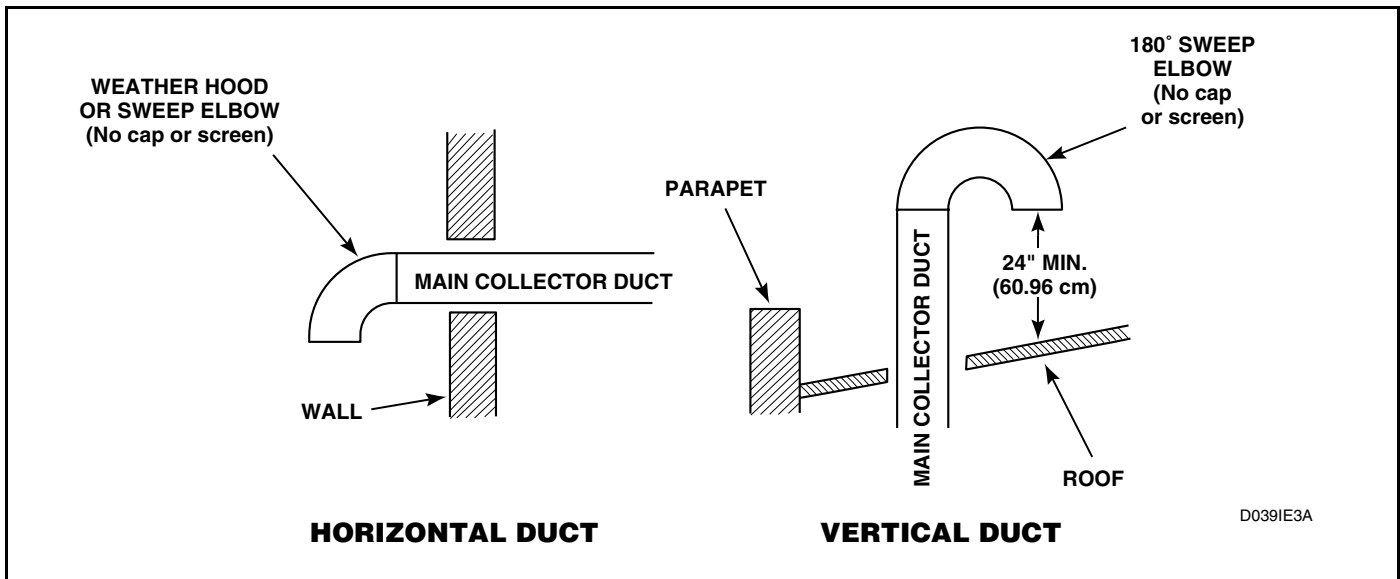
**NOTE: Where the exhaust duct pierces the wall or ceiling, an opening having a diameter of 4 inches (10.2 cm) larger than the diameter of the exhaust duct shall be provided, and the exhaust duct centered within the opening.**

- Damper, Part No. 58786, should be installed in each dryer's exhaust system. This will prevent a backdraft when dryer unit is not in use, and will keep the exhaust air in balance within the central exhaust system.

**IMPORTANT: Provisions must be made for make-up air.**

**IMPORTANT: If several dryer units are exhausted into a main collector duct, it is essential that ductwork be adequate in size and properly constructed for efficient operation.**

	<b>WARNING</b>
<p><b>To reduce the risk of fire and the accumulation of combustion gases, DO NOT exhaust dryer air into a window well, gas vent, chimney or enclosed, unventilated area, such as an attic, wall, ceiling, crawl space under a building or concealed space of a building.</b></p>	
W045	



- Main collector duct should be sized according to specifications shown below.

Number of Dryers	Minimum Diameter of Horizontal Collector Duct	Minimum Diameter of Vertical Collector Duct
1 stack	7 inch (17.8 cm)	8 inch (20.3 cm)
1 stack	8 inch (20.3 cm)	9 inch (22.9 cm)
2 stacks	9 inch (22.9 cm)	10 inch (25.4 cm)
2 stacks	10 inch (25.4 cm)	11 inch (27.9 cm)
3 stacks	11 inch (27.9 cm)	12 inch (30.5 cm)
3 stacks	12 inch (30.5 cm)	13 inch (32.6 cm)
4 stacks	12 inch (30.5 cm)	14 inch (35.6 cm)
4 stacks	13 inch (32.6 cm)	15 inch (38.1 cm)
5 stacks	14 inch (35.6 cm)	15 inch (38.1 cm)
5 stacks	14 inch (35.6 cm)	16 inch (40.6 cm)

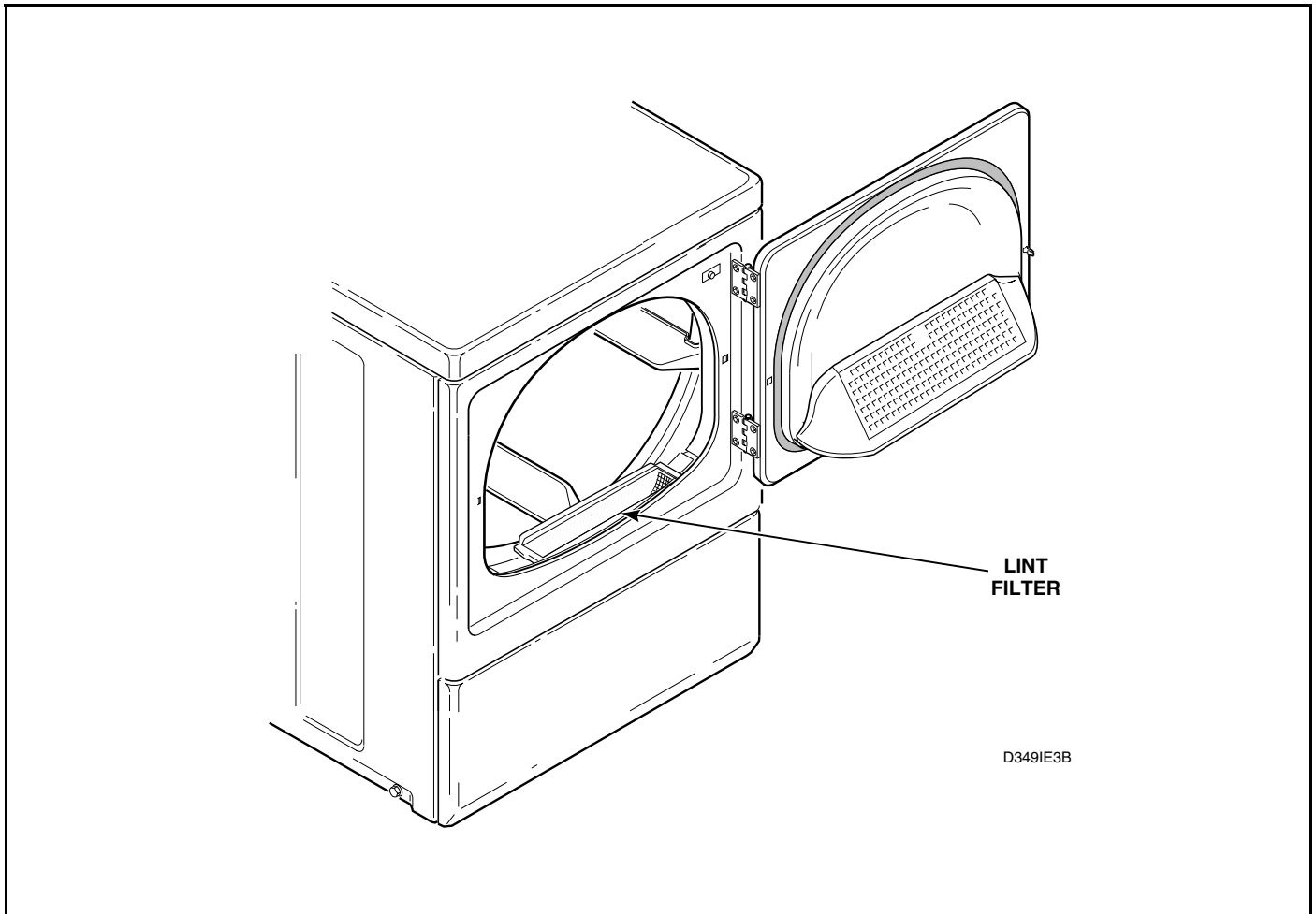
**NOTE:** Main collector duct should be equipped with an auxiliary fan that can maintain the duct airflow at a minimum of 1200 feet (366 m) per minute. If you do not have a fan, clean the main collector duct at least twice a year.



# Lint Filter . . .

CLEAN THE LINT FILTER BEFORE DRYING EACH LOAD. (Refer to illustration below for lint filter location.) Cleaning the lint filter is important because a layer or pad of lint on the filter will block the flow of air

through the dryer, thus reducing the efficiency of the dryer. The clothes will take longer to dry and energy will be wasted.



# Motor Overload Protector . . .

The motor overload protector stops the motor and shuts the heat off automatically in the event of an overload. After cooling, the overload protector will reset itself. The dryer can be restarted by pressing the PUSH-TO-START

button. If the overload protector cycles again, remove the dryer from use and call the service person to correct the problem.

# User-Maintenance Instructions . . .

## Lubrication

All moving parts are sealed in a permanent supply of lubricant or are equipped with oilless bearings. Additional lubrication will not be necessary.

## Care of Your Dryer

Clean the lint filter before drying each load. The lint filter may be washed if needed. Occasionally remove lint filter and vacuum the area under it.

Ordinarily, the dryer cylinder will need no care.

Wipe each dryer cabinet as needed. If detergent, bleach or other washing products have been spilled on the dryer unit, wipe immediately. Some products will cause permanent damage if spilled on the cabinet.

Do not allow sharp or rough objects to lean against the dryer unit. The finish could be damaged.

Use only a damp or sudsy cloth for cleaning the control panel. Some spray prewash products may harm the finish on the control panel.

**NOTE:** The wiring diagram is located inside the control panel.



## CAUTION

**Label all wires prior to disconnection when servicing controls. Wiring errors can cause improper and dangerous operation.**

W049

## Exhaust System

The exhaust duct should be inspected after one year of use and cleaned if necessary by a qualified service person to remove any lint build-up. Inspect and clean exhaust duct every one to two years as required thereafter.

The weather hood should be checked frequently to make sure the dampers move freely, dampers are not pushed in and that nothing has been set against them.

Keep dryer area clear and free from combustible materials, gasoline and other flammable vapors and liquids.

Do not obstruct the flow of combustion and ventilation air.

**NOTE:** Verify proper operation after servicing.

# For Energy Conservation . . .

- Make sure the lint filter is always clean.
- Do not overload dryer unit.
- Do not overdry clothes.
- Remove items to be ironed while still damp.
- Large loads of similar fabrics dry the most efficiently. However, dry permanent press in smaller loads to prevent wrinkling.

- Use the correct temperature FABRIC SELECTOR setting for the type of fabric being dried.
- Locate your dryer so the exhaust duct is as short and straight as possible.
- Do not open the door during the drying cycle.
- Plan to do your laundry on low humidity days; your clothes will dry faster.

Should you plan to dry several loads, do them one after another, then you do not have to reheat the dryer unit's interior parts each time.

# Before You Call For Service . . .

**You may save time and money by checking the following:**

**•If Your Dryer:**

Does Not Start	Does Not Heat	Does not Dry Clothes Satisfactorily	Possible Reason — Do This To Correct
•			Metered models—Insert coin(s) or card.
•	•		Nonmetered models—Turn the timer knob further into the cycle.
•			Be sure the cord is plugged all the way into the electrical outlet.
•			Close the loading door.
	•		Make sure the controls are in a HEAT setting.
•	•		Metered models—Activate time accumulator. Push the coin slide all the way in.
•			Press the PUSH-TO-START button.
•	•		Has the laundry room fuse blown or become loosened, or is a circuit breaker OFF? <b>The dryer unit itself does NOT have an electrical fuse.</b>
•			Has the motor overload protector cycled? Wait 10 minutes and try again.
	•		Gas Dryers Only—Check to see if the gas valve in the dryer (behind the lower front panel) and the main gas line valve are turned on.
		•	Clean the lint filter.
	•	•	Check the exhaust duct to the outside to see if it is kinked, blocked or needs cleaning.
	•	•	Check the weather hood to make sure the flappers move freely, are not pushed in or have not been blocked.
		•	Is the load too small? Small loads may not tumble properly or dry evenly.

# Operation Instructions for Electromechanical Dryers . . .

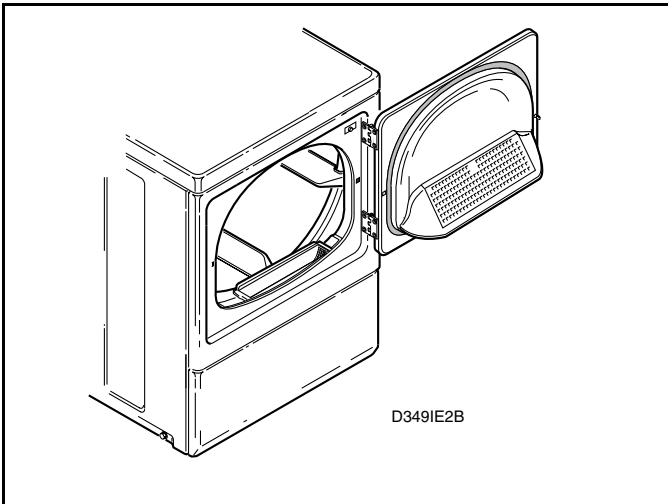
## (Metered and Nonmetered Models)

**IMPORTANT:** Before using dryer unit for the first time, use an all-purpose cleaner, or a detergent and water solution, and a damp cloth to remove shipping dust from inside of each dryer drum.

### STEP 1:

#### Clean Lint Filter

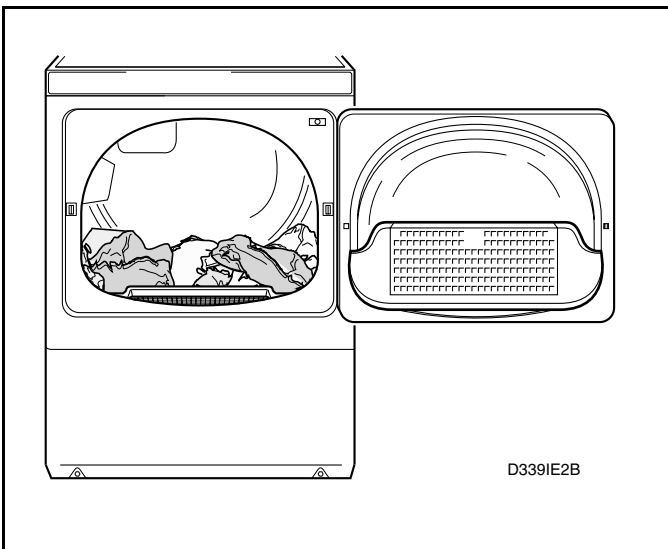
Clean lint filter before each use.



### STEP 2:

#### Load Laundry

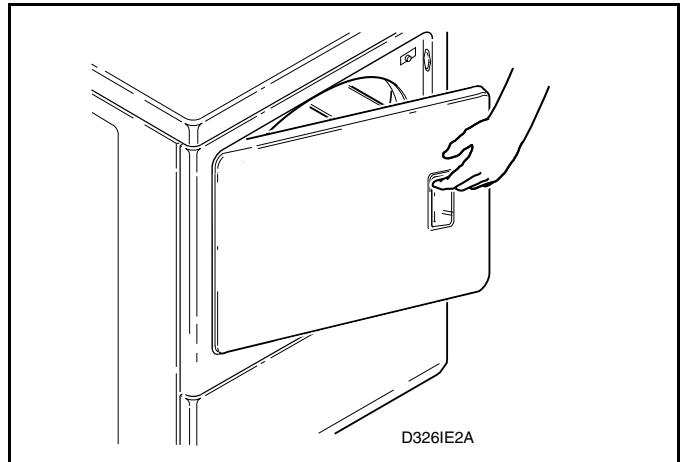
Load clothes loosely into dryer drum. Add fabric softener sheet if desired.



### STEP 3:

#### Close Loading Door

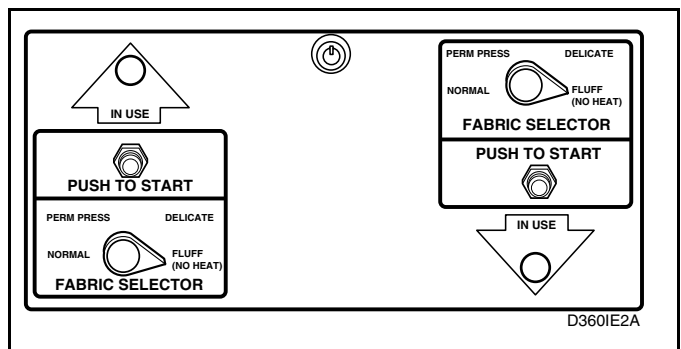
Close loading door. Dryer will not operate with the door open.



### STEP 4:

#### Determine Proper Dryer

The direction of the arrow indicates which dryer is being used.

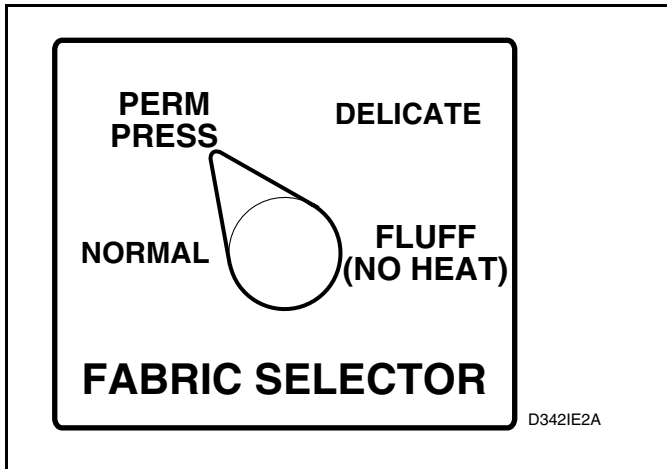


## STEP 5:

### Set Fabric Selector

Select **NORMAL** for cottons, **PERM PRESS** for permanent press, **DELICATE** for sensitive items or **FLUFF (NO HEAT)** for items that require no heat.

Always follow **Manufacturer's Care Label** instructions.

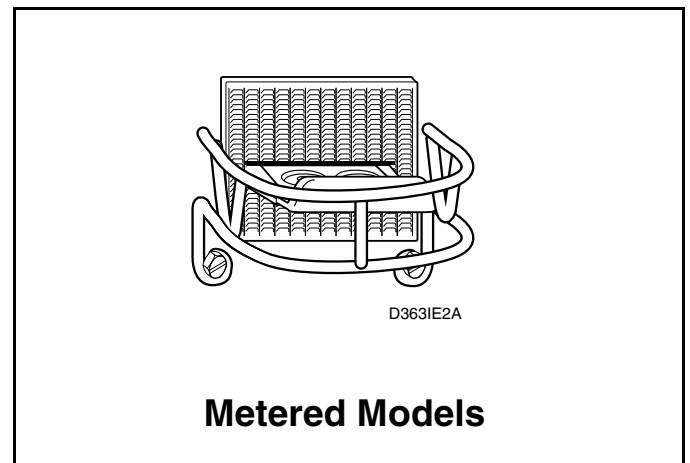


## STEP 6:

### Start Dryer

#### METERED MODELS:

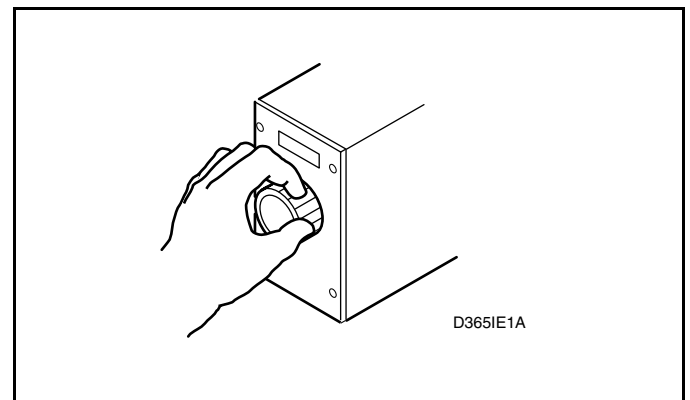
Place coin(s) in slide and carefully push in as far as possible and then pull slide out as far as possible. After **IN USE** light comes on (indicating start of cycle), press the **PUSH-TO-START** button.



#### Metered Models

#### NONMETERED MODELS:

Rotate timer knob to desired time setting (up to 60 minutes). After **IN USE** light comes on (indicating start of cycle), press the **PUSH-TO-START** button.



Remove knits when slightly damp because overdrying may cause shrinkage. Do not tumble dry knit woolsens.

Should dryer stop before cycle is completed, the motor overload protector may have cycled. See page 32.

# Operation Instructions for Electronic Control Dryers . . .

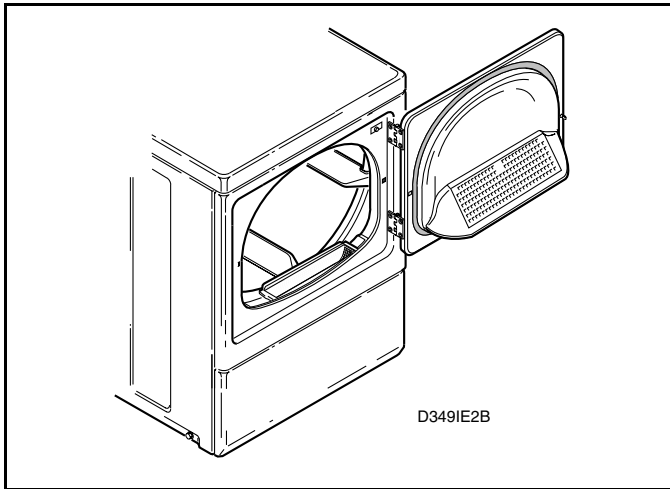
## (Metered and Nonmetered Models)

**IMPORTANT:** Before using dryer unit for the first time, use an all-purpose cleaner, or a detergent and water solution, and a damp cloth to remove shipping dust from inside of each dryer drum.

### STEP 1:

#### Clean Lint Filter

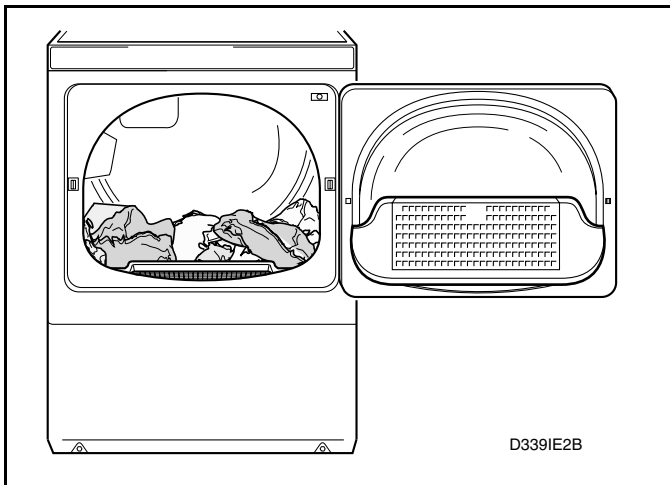
Clean lint filter before each use.



### STEP 2:

#### Load Laundry

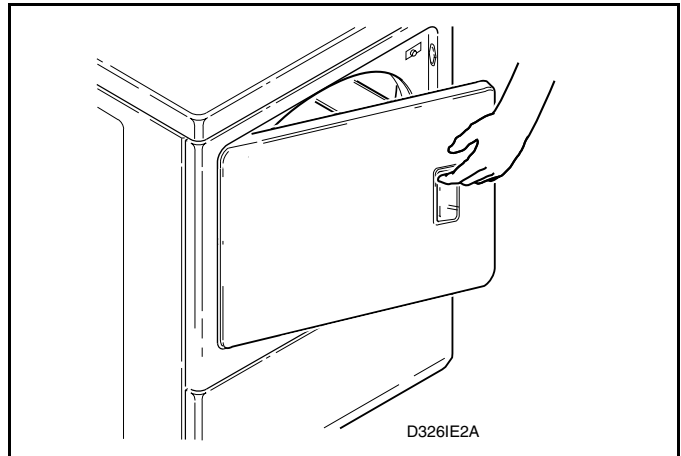
Load clothes loosely into dryer drum. Add fabric softener sheet if desired.



### STEP 3:

#### Close Loading Door

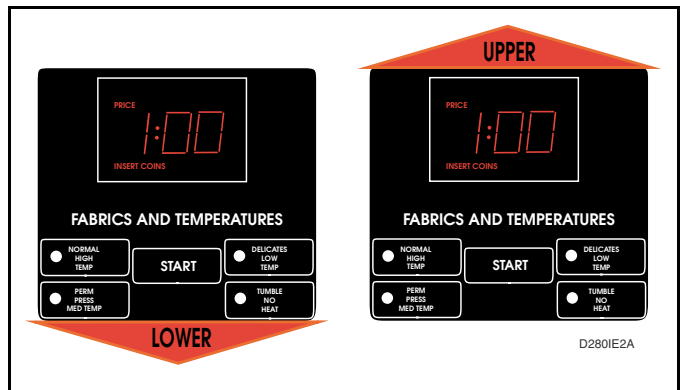
Close loading door. Dryer will not operate with the door open.



### STEP 4:

#### Determine Proper Dryer

The direction of the arrow indicates which dryer is being used.

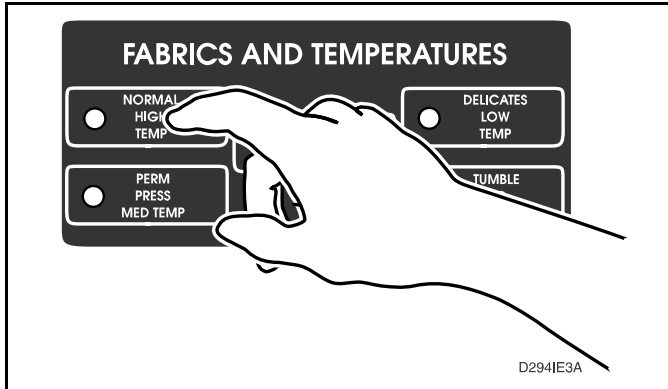


## STEP 5:

### Set Fabric Selector

Select **NORMAL** (High Temp), **PERM PRESS** (Med Temp), **DELICATES** (Low Temp) or **TUMBLE** (No Heat) by pushing touchpad.

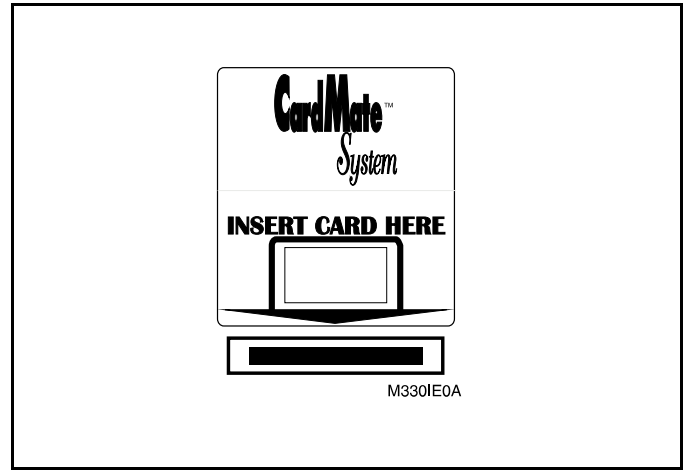
Always follow **Manufacturer's Care Label instructions.**



### To Insert Card:

Insert card into opening. Follow directions on display. **DO NOT REMOVE THE CARD UNTIL DISPLAY READS "Remove Card."**

Remove knits when slightly damp because overdrying may cause shrinkage. Do not tumble dry knit woolens.



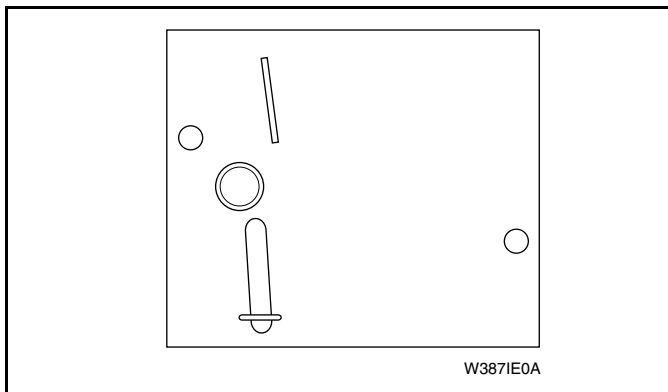
## STEP 6:

### Insert Coin(s) or Card

#### To Insert Money.

Insert coin(s) in coin slot. Check pricing as seen on digital display.

If Additional Time Feature is turned on, additional dryer time may be purchased at cycle start or while dryer is running.



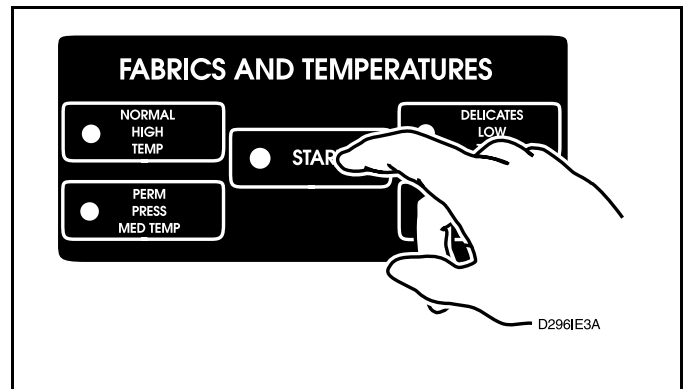
## STEP 7:

### Start Dryer

To start dryer, push **START** pad.

To stop dryer at any time, open the door. To restart the dryer, close door and push **START** pad.

Cycle is completed when time remaining reaches 00 minutes.



## Indicator Lights

### **INSERT COINS**

*INSERT COINS* is lit to prompt the user to insert coins to satisfy the vend price for the chosen cycle. When *INSERT COINS* is lit, the three digits and decimal point will display the vend price remaining to be satisfied.

### **PUSH START**

*PUSH START* is lit whenever the dryer is not in a cycle, the full vend price has been satisfied and the dryer door is closed. When the *START* pad is pressed, the cycle will begin or resume. The *PUSH START* status word flashes at one-second intervals when activated.

### **DRYING**

*DRYING* is lit to indicate that one of the heated cycles (HIGH TEMP, MED TEMP, LOW TEMP) is currently in operation. The status word *DRYING* goes off at the end of a heated cycle or when the *COOL DOWN* cycle begins.

### **DOOR OPEN**

*DOOR OPEN* is lit and flashes at one-second intervals whenever the dryer door is open.

### **COOL DOWN**

*COOL DOWN* is lit whenever the *COOL DOWN* portion of a heated cycle is active. It is also lit when the *NO HEAT* cycle is in operation.

### **PRICE**

*PRICE* is lit to indicate that the value displayed is the vend pricing remaining to be satisfied. Once the vend price is satisfied, the word *PRICE* will go off.

### **TIME REMAINING**

*TIME REMAINING* is lit to indicate that the time displayed by two digits and the colon is the time remaining (in minutes) in the active cycle. The colon flashes at one-second intervals and time continually counts down in an active cycle.

Should dryer stop before cycle is completed, the motor overload protector may have cycled. See page 32.



# Information for Handy Reference . . .

Alliance Laundry Systems LLC  
Shepard Street  
P.O. Box 990  
Ripon, WI 54971-0990

Date Purchased \_\_\_\_\_

Model Number \_\_\_\_\_ Serial Number \_\_\_\_\_

Dealer's Name \_\_\_\_\_

Dealer's Address \_\_\_\_\_ Phone Number \_\_\_\_\_

Service Agency \_\_\_\_\_

Service Agency Address \_\_\_\_\_ Phone Number \_\_\_\_\_

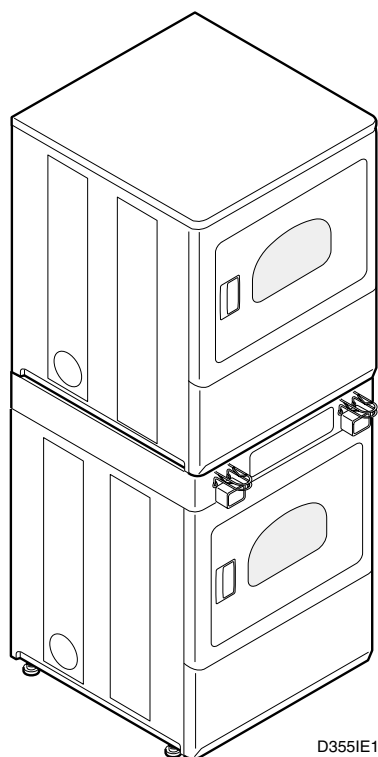
**NOTE: Record the above information and keep your sales slip. Model and serial numbers are located on the nameplate.**



# Secadoras de montaje vertical

con contador de monedas  
y sin él

Modelos eléctricos y a gas



D355IE1B

— **Instalación y operación** —



No. de pieza 504524R3  
Junio 1998

GUARDE ESTAS INSTRUCCIONES PARA CONSULTARLAS EN EL FUTURO. (Si vende esta secadora, asegúrese de entregarle este manual al nuevo propietario.)



## ADVERTENCIA

**POR SU PROPIA SEGURIDAD, la información que aparece en este manual debe tomarse en cuenta para mantener a un mínimo el riesgo de incendio o explosión y para evitar daños a la propiedad, lesiones personales o la muerte.**

W033S

- No almacene ni use gasolina u otros vapores o líquidos inflamables cerca de éste ni en cualquier otro aparato electrodoméstico.
- **QUÉ DEBE HACER SI DETECTA OLOR A GAS:**
  - No trate de usar ningún aparato electrodoméstico.
  - No toque ningún interruptor eléctrico; no use ningún teléfono en el edificio.
  - Asegúrese de que todas las personas salgan de la habitación, edificio o área.
  - Llame de inmediato a su proveedor de gas desde el teléfono de algún vecino. Siga las instrucciones que le dé el proveedor de gas.
  - Si no puede ponerse en contacto con su proveedor de gas, llame a los bomberos.
- Un instalador calificado, una agencia de servicio o el proveedor de gas debe hacer la instalación y proporcionar el servicio.

W052S

**IMPORTANTE:** El comprador debe consultar al proveedor de gas para obtener instrucciones acerca de los pasos a seguir en caso de que el usuario detecte olor a gas. Las instrucciones del proveedor de gas y las notas de **SEGURIDAD** y **ADVERTENCIA** directamente arriba deben ser colocadas en algún lugar visible cerca de la secadora, para que las vea fácilmente la persona que use la secadora.

## POR SU PROPIA SEGURIDAD

**No almacene ni use gasolina ni vapores o líquidos inflamables cerca de esta secadora ni de cualquier otro aparato electrodoméstico.**

W05S3

# Contenido

Piezas de repuesto .....	43
Importantes instrucciones de seguridad .....	44
Dimensiones para la preparación de instalación .....	46
Seguridad adicional .....	48
Extensión para deslizador .....	48
Levas de regulación de tiempo.....	48
Seguridad para el panel delantero inferior .....	48
Protectores para los deslizadores para monedas .....	49
Antes de comenzar .....	50
<b>Instalación de la unidad de secadoras</b>	
PASO 1: Coloque la unidad de secadoras en su lugar y nivélela....	51
PASO 2: Conecte el sistema de escape de la unidad de secadoras .	51
PASO 3: Conecte las tuberías de suministro de gas.....	52
PASO 4: Conecte las clavijas eléctricas .....	53
PASO 5: Limpie el interior de cada una de las secadoras.....	54
PASO 6: Conecte cada una de las secadoras.....	54
PASO 7: Revise la instalación.....	54
<b>Revisión de la fuente de calor .....</b>	<b>55</b>
<b>Procedimiento para invertir la posición de cada puerta .....</b>	<b>57</b>
<b>Requisitos eléctricos (Secadoras eléctricas) .....</b>	<b>58</b>
<b>Conexión eléctrica .....</b>	<b>59</b>
Cable de corriente de tres conductores .....	59
Cable de corriente de cuatro conductores .....	61
<b>Requisitos eléctricos (Secadoras a gas).....</b>	<b>63</b>
<b>Requisitos de gas.....</b>	<b>65</b>
<b>Requisitos de ubicación.....</b>	<b>66</b>
<b>Requisitos para el escape de las secadoras .....</b>	<b>67</b>
<b>Requisitos para el escape de instalaciones múltiples de secadoras .</b>	<b>70</b>
<b>Filtro de pelusa.....</b>	<b>73</b>
<b>Protector de sobrecarga del motor.....</b>	<b>73</b>
<b>Instrucciones de mantenimiento para el usuario.....</b>	<b>74</b>
<b>Para conservar energía.....</b>	<b>74</b>
<b>Antes de llamar para solicitar servicio de reparación.....</b>	<b>75</b>
<b>Instrucciones de uso para secadoras electromecánicas.....</b>	<b>76</b>
<b>Instrucciones de uso para secadoras con controles electrónicos .....</b>	<b>78</b>
<b>Información de referencia.....</b>	<b>81</b>
<b>Revisión de la instalación.....</b>	<b>Cubierta posterior</b>

## Piezas de repuesto . . .

Si necesita piezas de repuesto, llame al distribuidor donde haya comprado su unidad de secadoras o póngase en contacto con:

**Alliance Laundry Systems LLC**  
**Shepard Street**  
**P.O. Box 990**  
**Ripon, WI 54971-0990 U.S.A.**

**Teléfono: (920) 748-3950**

para obtener el nombre y la dirección de su distribuidor autorizado más cercano.

©Derechos de autor 1998, Alliance Laundry Systems LLC

Todos los derechos reservados. No se permite reproducir o transmitir parte del contenido de este manual de ninguna forma ni por ningún medio sin el permiso por escrito del editor.

# IMPORTANTES INSTRUCCIONES DE SEGURIDAD

## (GUARDE ESTAS INSTRUCCIONES)



### ADVERTENCIA

Para reducir el riesgo de ocasionar un incendio, de sufrir una descarga o sacudida eléctrica, lesiones personales serias o la muerte, cumpla con estas precauciones básicas:

W034S

1. Lea las instrucciones antes de usar la secadora.
2. Consulte las INSTRUCCIONES PARA CONECTAR A TIERRA, en el manual de INSTALACIÓN, para conectar correctamente la secadora a tierra.
3. No seque prendas que haya limpiado, lavado, remojado o a las que haya aplicado gasolina, solventes para lavar en seco o sustancias inflamables o explosivas, ya que estas sustancias dejan escapar vapores que pueden causar un incendio o una explosión.
4. No permita que los niños jueguen sobre o dentro de alguna secadora. Es necesario supervisar de cerca a los niños en la cercanía a la secadora. Ésta es una regla de seguridad para todos los aparatos electrodomésticos.
5. Antes de que ponga la secadora fuera de servicio o de que la deseche, quite la puerta del compartimiento de secado.
6. No meta la mano en la secadora si el tambor de secado está girando.
7. No instale ni almacene la secadora donde pudiera quedar expuesta a la intemperie o al agua.
8. No altere los controles.
9. No repare ni reemplace ninguna pieza de la secadora, ni trate de darle servicio, a menos de que se recomiende en las instrucciones de mantenimiento para los usuarios o en instrucciones publicadas para los usuarios, que usted pueda comprender y si tiene la habilidad para hacerlo.
10. No use suavizadores de ropa ni productos para eliminar la estática, a menos de que lo recomiende el fabricante del suavizador de ropa o del producto para eliminar la estática.
11. Para reducir el riesgo de causar un incendio, NO SEQUE plásticos ni artículos que contengan hule, caucho, o materiales similares con textura de caucho.
12. SIEMPRE limpie el filtro de pelusa después de cada carga de secado. Las capas de pelusa en el filtro reducen la eficiencia de secado y aumentan el tiempo necesario para secar.
13. Mantenga el área alrededor de la abertura del escape de aire caliente y el área adyacente libres de acumulación de pelusa, polvo o tierra.
14. Un técnico calificado debe limpiar periódicamente el interior de la secadora y el conducto de escape.
15. Si este aparato no está instalado, no se usa o no recibe el mantenimiento de acuerdo a las instrucciones del fabricante, o si los componentes de este aparato están dañados o maltratados, su uso puede exponerlo a usted a sustancias del combustible o de los productos de combustión que pueden causar la muerte o enfermedades serias y que el Estado de California tiene conocimiento de que pueden causar cáncer, defectos en los recién nacidos y otros problemas reproductivos.
16. La secadora no debe funcionar cuando la puerta del tambor de secado esté abierta. NO altere el interruptor de seguridad de la puerta, de tal forma que la secadora pueda funcionar con la puerta abierta. La secadora debe dejar de funcionar al abrir la puerta. No use la secadora si ésta no deja de funcionar cuando se abre la puerta, o si comienza a funcionar sin oprimir o girar el mecanismo de ARRANQUE (START). No use la secadora y llame al técnico de servicio.
17. No coloque en la secadora artículos que se hayan ensuciado con aceite vegetal o de cocina, ya que es posible que estos aceites no se eliminen completamente durante el lavado. Debido a este aceite sobrante, la tela puede incendiarse por sí misma.
18. Para reducir el riesgo de causar un incendio, NO coloque en la secadora ropa que tenga cualquier cantidad de alguna sustancia inflamable como aceite de maquinaria, sustancias químicas inflamables, diluyentes, etc. o cualquier cosa que contenga cera o sustancias químicas, como trapeadores y trapos para limpiar, o cualquier prenda limpiada en seco en la casa con solventes para limpiar en seco.
19. Use la secadora sólo para el propósito con el que fue fabricada, que es secar ropa.
20. Siempre desconecte la corriente eléctrica a la secadora antes de intentar darle servicio. Desconecte la corriente eléctrica tirando de la clavija, no del cable.

21. Reemplace los cables dañados y/o las clavijas sueltas.
22. Instale la secadora de acuerdo a las **INSTRUCCIONES DE INSTALACIÓN**. Todas las conexiones de energía eléctrica, conexión a tierra y alimentación de gas deben cumplir con los códigos locales y, cuando sea necesario, debe hacerlas un técnico calificado. ¡No lo haga usted mismo, a menos de que sepa cómo hacerlo!
23. Saque la ropa seca de la secadora inmediatamente después de que la secadora detenga su funcionamiento.
24. Siempre lea y siga las instrucciones del fabricante que aparecen en los envases de detergentes para ropa y de productos para ayudar en la limpieza de la ropa. Preste atención a todos los avisos de advertencia o precaución. Para reducir el riesgo de sufrir envenenamiento o quemaduras por sustancias químicas, en todo momento mantenga estos productos fuera del alcance de los niños (de preferencia guárdelos en algún gabinete cerrado).
25. No seque en la secadora cortinas de fibra de vidrio, a menos de que la etiqueta indique que se puede hacer. Si las seca en la secadora, limpie el tambor de secado con un trapo húmedo para eliminar todas las partículas de fibra de vidrio.
26. SIEMPRE siga las instrucciones de cuidados a la ropa indicados por el fabricante de las prendas.
27. Nunca haga funcionar la secadora si le falta alguna guarda o panel de protección.
28. NO haga funcionar la secadora si le faltan piezas o si tiene piezas dañadas.
29. NO evite ningún equipo de seguridad.
30. Si no instala, da mantenimiento y/o hace funcionar este aparato de acuerdo a las instrucciones del fabricante, pueden ocasionarse lesiones personales y/o daños a la propiedad.

**IMPORTANTE:** Los vapores solventes de las máquinas de limpieza en seco crean ácidos cuando pasan por el calentador de la unidad de secado. Estos ácidos corroen la secadora así como el resto de la ropa en la carga. Asegúrese de que el aire de reemplazo no contenga vapores solventes.

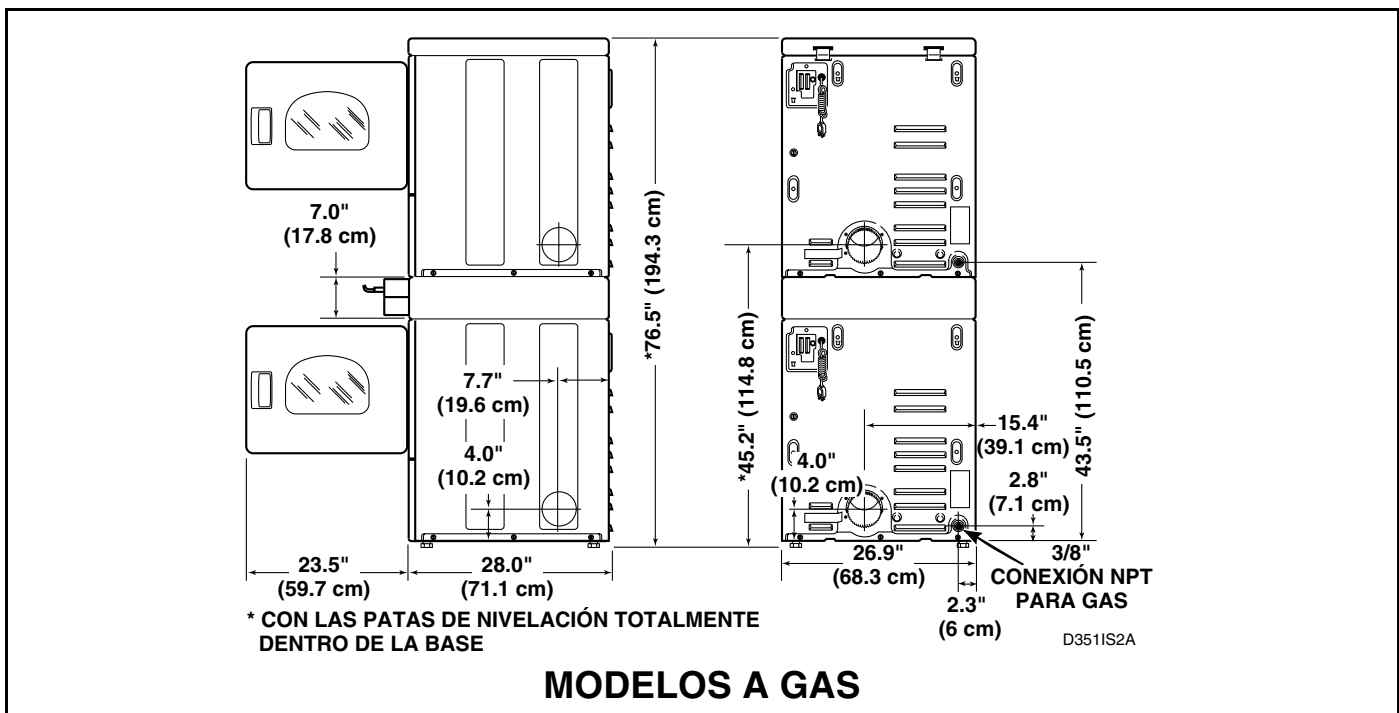
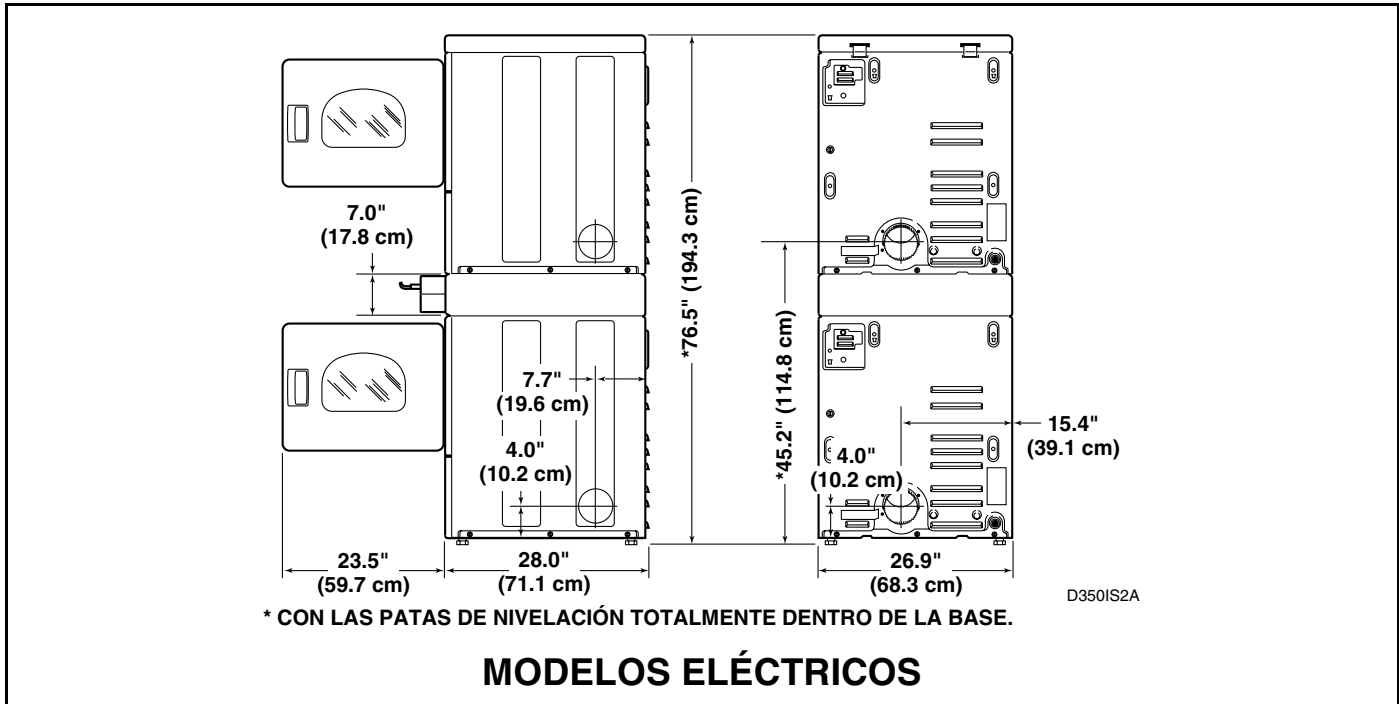
**IMPORTANTE:** Asegúrese de que su secadora quede instalada correctamente. ¡No la instale a menos de que sepa cómo hacerlo!

**NOTA:** Las instrucciones de los avisos de **ADVERTENCIA** y los que indican **IMPORTANTE**, que aparecen en este manual, no intentan cubrir todas las posibles condiciones y situaciones que pudieran llegar a presentarse. Se debe usar sentido común, precaución y cuidados al instalar, dar mantenimiento o usar la secadora.

Siempre póngase en contacto con su distribuidor, concesionario, técnico de servicio o el fabricante, para consultar cualquier problema o condición que no comprenda.

# Dimensiones para la preparación de instalación . . .

## (Modelos para operar con monedas)



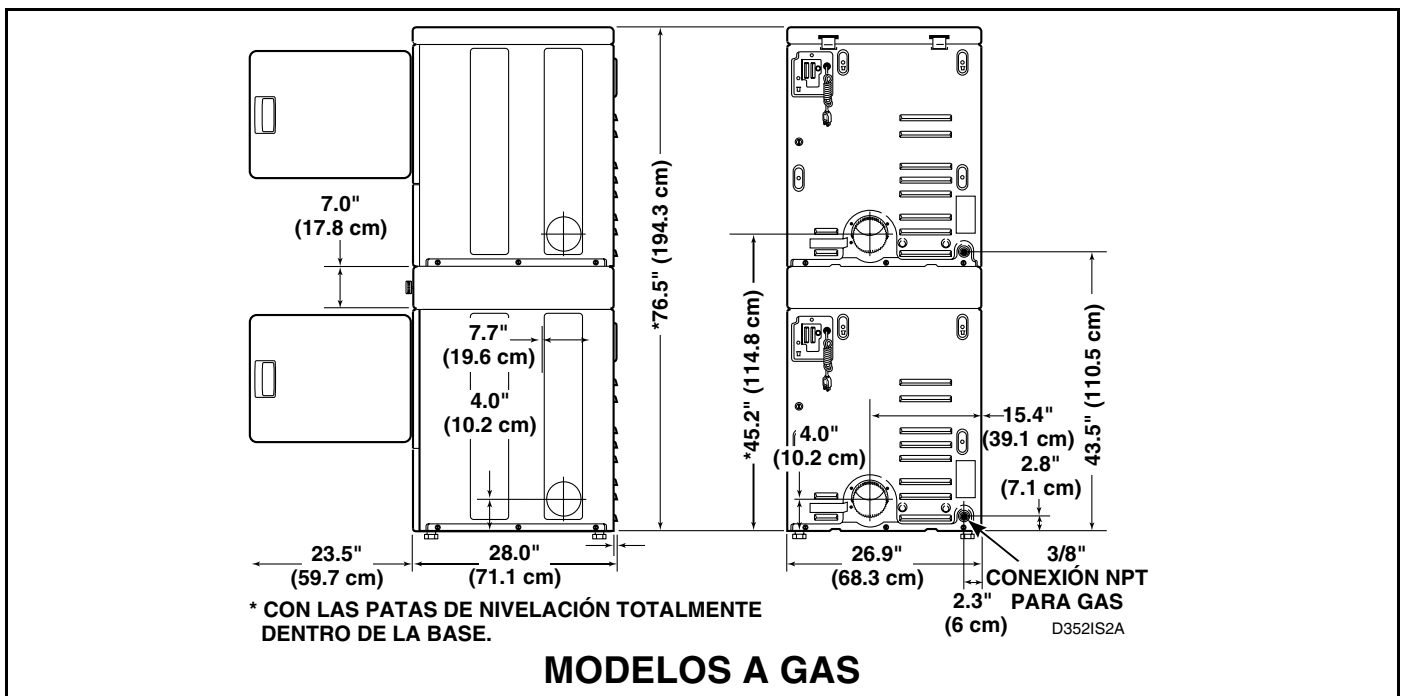
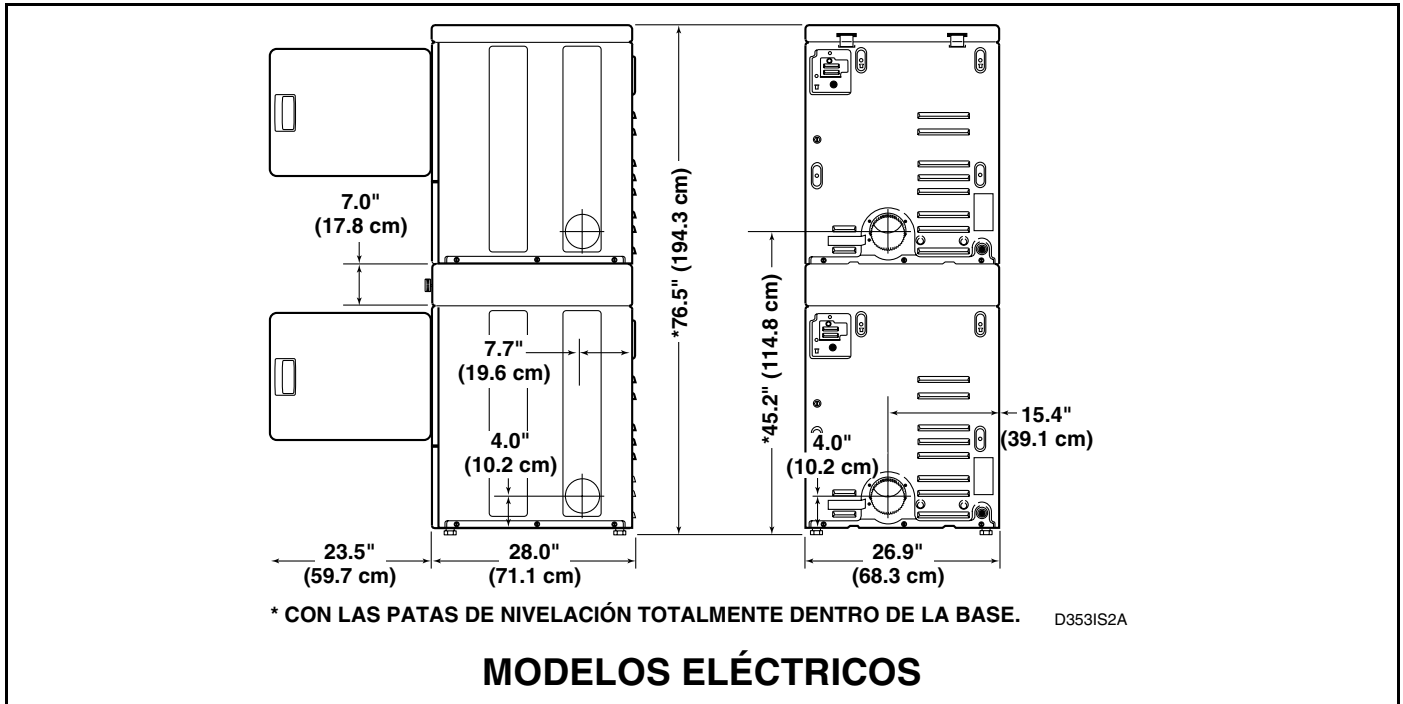
**NOTA:** Las entradas lateral, posterior e inferior del escape son para conductos de 10.2 cm (4 pulgadas). Los modelos a gas no pueden tener el escape al exterior del lado izquierdo del gabinete, debido a que ahí se encuentra la caja del quemador.

**IMPORTANTE:** La unidad de secadoras debe tener suficiente espacio libre alrededor para que tenga suficiente ventilación y para facilitar su instalación y el servicio. Para obtener el rendimiento máximo de su unidad de secadoras, le recomendamos que deje más espacio libre alrededor de la unidad de secadoras que el que se especifica en este manual.



# Dimensiones para la preparación de instalación . . .

## (Modelos para operar sin monedas)



**NOTA:** Las entradas lateral, posterior e inferior del escape son para conductos de 10.2 cm (4 pulgadas). Los modelos a gas no pueden tener el escape al exterior del lado izquierdo del gabinete, debido a que ahí se encuentra la caja del quemador.

**IMPORTANTE:** La unidad de secadoras debe tener suficiente espacio libre alrededor para que tenga suficiente ventilación y para facilitar su instalación y el servicio. Para obtener el rendimiento máximo de su unidad de secadoras, le recomendamos que deje más espacio libre alrededor de la unidad de secadoras que el que se especifica en este manual.

# Seguridad adicional . . .

Tenemos disponibles tornillos de seguridad Torx (como equipo opcional a un costo adicional) para fijar ambos paneles de acceso inferior a cada una de las bases de las secadoras. Pida la pieza número 62853.

La punta Torx, pieza número 282P4, está disponible (como

equipo opcional a un costo adicional) para instalar los tornillos de seguridad Torx.

Un soporte de puntas Torx, pieza número 24161, está disponible (como equipo opcional a un costo adicional) para usarse con las puntas Torx.

## Extensión para deslizador . . . (Modelos para operar con monedas)

Saque dos extensiones para deslizador, cuatro tornillos y arandelas de seguridad de la bolsa de accesorios (en el tambor inferior) e instale una extensión en la parte superior de cada deslizador de monedas.

**IMPORTANTE:** La extensión para deslizador debe quedar fija a la parte superior del deslizador para monedas para hacerlo lo suficientemente largo para que las monedas activen el acumulador.

**NOTA:** Esta unidad de secadoras, cuando se envía de la fábrica, no incluye deslizadores para monedas, compartimentos para monedas, cerrojos o llaves. Estos juegos de deslizadores para monedas (o piezas) deben ser pedidos, a un costo adicional de acuerdo a las necesidades del comprador, al fabricante de juegos para monedas de su elección.

## Levas de regulación de tiempo . . . (Modelos para operar con monedas)

Los reguladores de tiempo de las secadoras están equipados con levas de 45 minutos. Si este tiempo de secado no es adecuado a sus necesidades, puede encontrar las siguientes levas en la bolsa de accesorios (en el tambor inferior).

### SECADORAS ELÉCTRICAS

Levas 2-53242 (30 minutos)

Levas 2-53240 (60 minutos)

### SECADORAS A GAS

Levas 2-53242 (30 minutos)

Existe una leva de 60 minutos, pieza No. 53240 disponible para las secadoras a gas como equipo opcional a un costo adicional.

## Seguridad para el panel delantero inferior . . . (Opcional)

### (Modelos para operar con monedas)

Para aumentar la seguridad, saque los dos tornillos (con sus arandelas de seguridad) de la bolsa de accesorios (en el tambor inferior). Instale los tornillos como se indica a continuación:

1. Abra el cerrojo del tablero de control.
2. Levante el tablero de control y tire hacia adelante de la parte inferior del tablero, luego tire de él hacia abajo y sepárelo del gabinete de control.
3. Instale los dos tornillos hacia abajo en los orificios en la pestaña inferior del gabinete de control y dentro de la pestaña superior del panel delantero inferior.

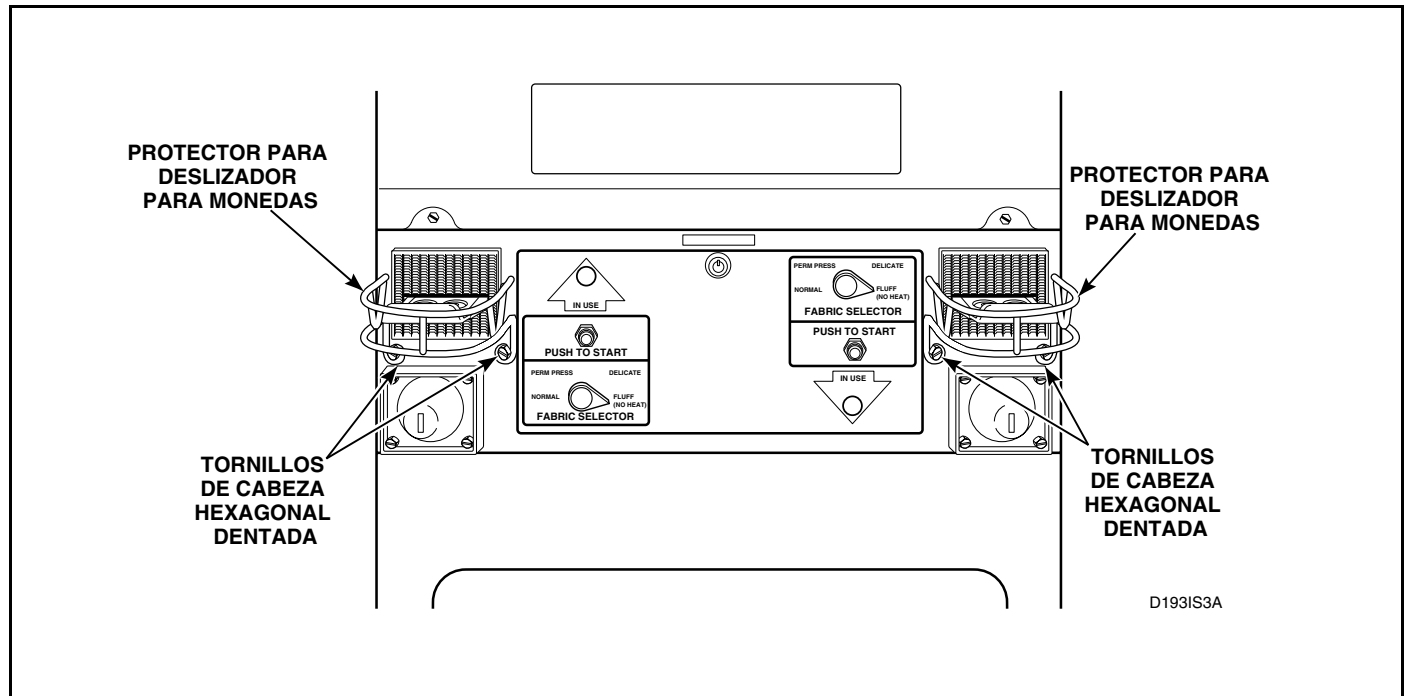
# Protectores para los deslizadores para monedas . . .

## (Modelos para operar con monedas)

Instale los protectores de los deslizadores para monedas (en la bolsa de accesorios en el tambor inferior) con los tornillos de cabeza hexagonal dentada que están en la bolsa de accesorios (en el tambor inferior), en la parte delantera del gabinete de control de las secadoras. Vea la siguiente ilustración.

Un juego especial de tornillos de seguridad está disponible (como equipo opcional a costo adicional) para fijar los dos

protectores de los deslizadores para monedas y ambos paneles delanteros al frente de la unidad de secadoras. Pida el juego de seguridad No. 298P3. Un destornillador especial, pieza No. 56217, está disponible (como equipo opcional a costo adicional) para instalar los tornillos especiales de seguridad.

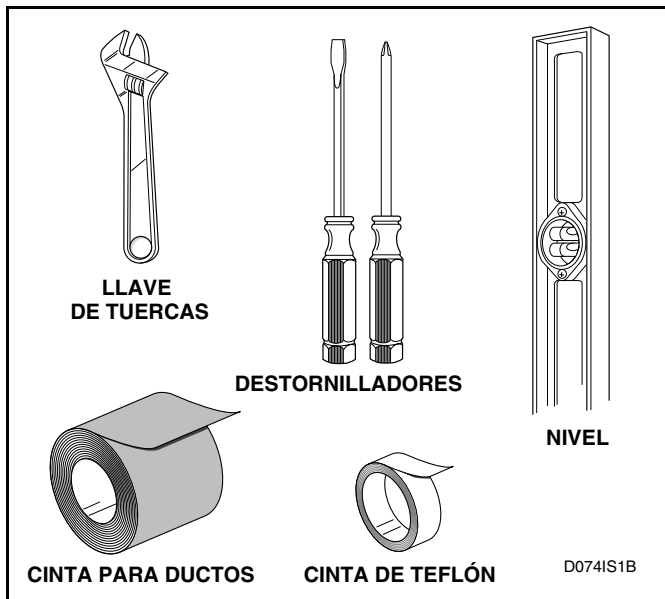


**NOTA:** Los deslizadores y los compartimientos para monedas se muestran sólo con propósitos ilustrativos. Usted debe obtenerlos localmente.

# Antes de comenzar . . .

## Herramientas

Para la mayoría de las instalaciones, necesita las siguientes herramientas básicas:



## Servicio eléctrico

- **SECADORAS ELÉCTRICAS** - Las secadoras requieren una alimentación de corriente eléctrica monofásica de corriente alterna (CA) en 3 ó 4 conductores de 120/240 ó 120/208 Voltios y 60 Hertzios.
- **SECADORAS A GAS** - Cada secadora requiere un tomacorriente con conexión a tierra polarizado de 3 ranuras, 120 Voltios y 60 Hertzios.

**NOTA:** Para obtener información más detallada, consulte la sección acerca de *Requisitos eléctricos*.

## Gas

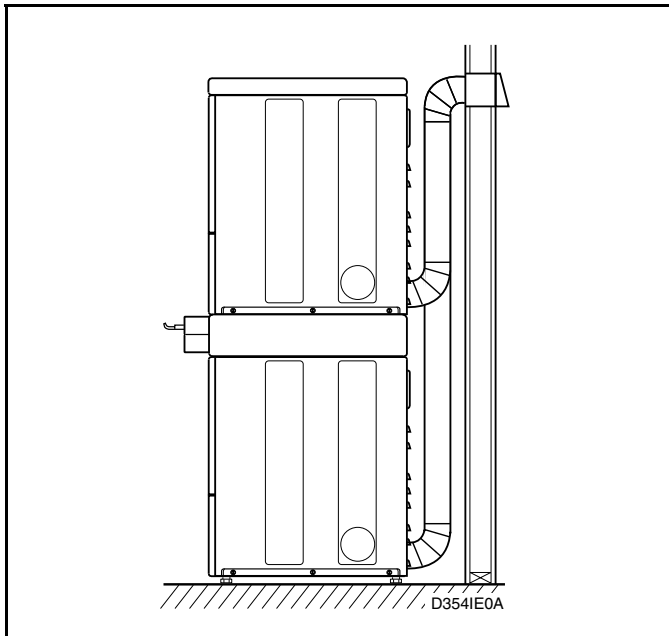
Las secadoras están equipadas para gas natural con una conexión NTP para alimentación de gas de 3/8 plg. Para obtener información más detallada, consulte la sección *Requisitos de gas*.

## Ubicación

Coloque la unidad de secadoras sobre un piso sólido con un adecuado suministro de aire. Para obtener información más detallada, consulte la sección *Requisitos de ubicación*.

## Escape

Use un conducto rígido de metal para los conductos de escape de las secadoras usando la ruta más corta posible.



**NOTA:** Para obtener información más detallada, consulte la *Sección Requisitos para el escape de las secadoras*.

# Instalación de la unidad de secadoras . . .

## PASO 1:

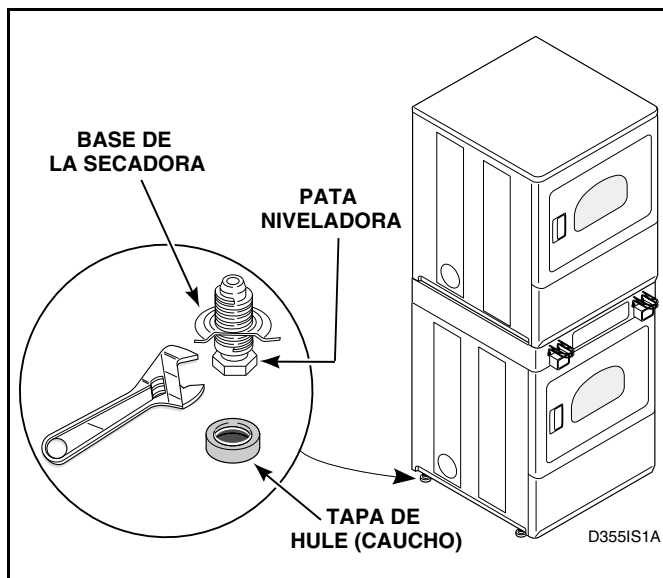
**Coloque la unidad de secadoras en su lugar y nivélela.**

Para obtener mayor información consulte la sección *Requisitos de ubicación*.

Instale la unidad de secadoras antes de instalar la lavadora. Así tendrá más espacio para instalar el conducto de escape.

Instale las cuatro tapas de hule (caucho) que están en la bolsa de accesorios.

Coloque la unidad de secadoras en su lugar y ajuste las patas hasta que la unidad quede nivelada.



## PASO 2:

**Conecte el sistema de escape de la unidad de secadoras.**

Para obtener mayor información consulte las secciones *Requisitos de ubicación* y *Requisitos para el escape de la unidad de secadoras*.

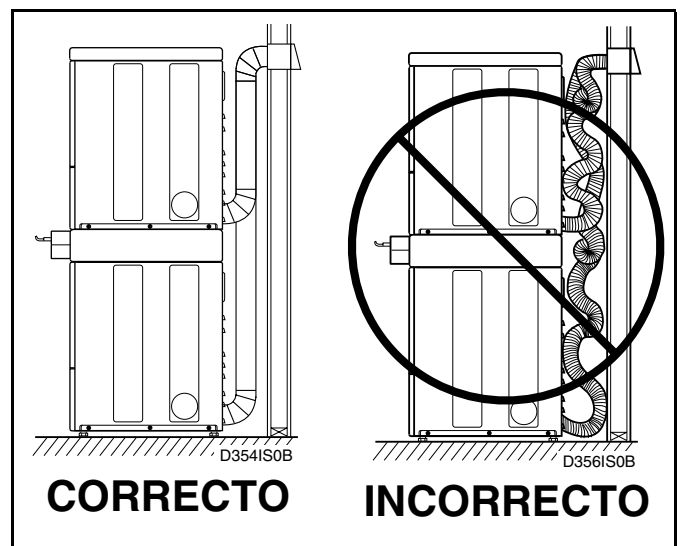


## ADVERTENCIA

**Las secadoras de ropa producen pelusa combustible. Para reducir el riesgo de causar un incendio y la acumulación de gases, las secadoras DEBEN tener una salida de escape al exterior.**

W116S

- NO use conductos de plástico o de aluminio flexible delgado.
- Coloque la unidad de secadoras de tal forma que sus conductos de escape sean lo más cortos posible.
- Asegúrese de limpiar los conductos que ya hayan estado en uso anteriormente antes de instalar la nueva unidad de secadoras.
- Use conducto flexible o rígido de metal con diámetro de 10.2 cm (4 pulgadas).
- Use el menor número de codos que sea posible.
- Use cinta adhesiva para conductos en todas las uniones.
- **Si no se proporciona una vía de escape adecuada al aire y/o gases de combustión se anula la garantía.**



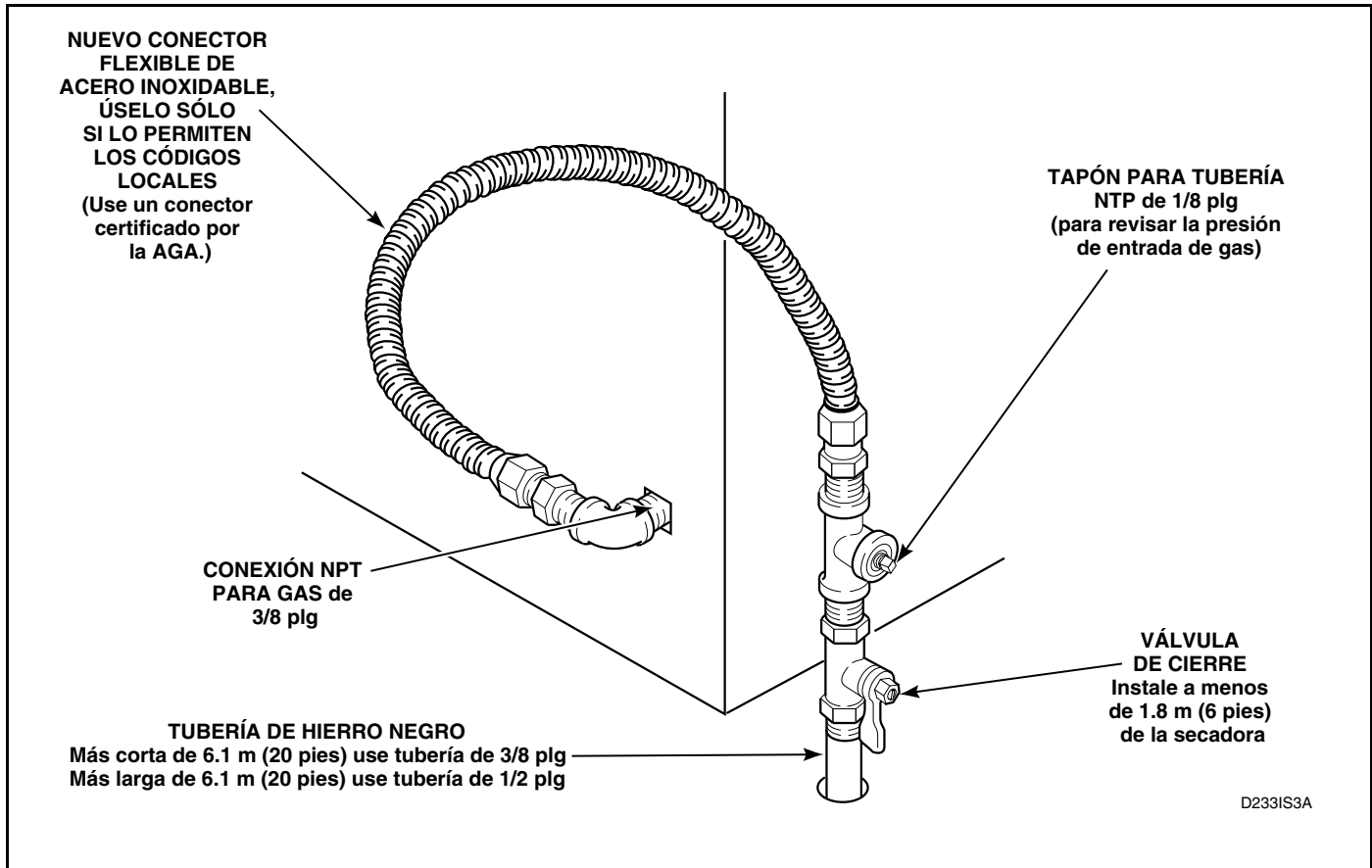
**NOTA:** Los materiales para el sistema de conductos de escape no se incluyen con la unidad de secadoras (obtégalos localmente).

## PASO 3: (Sólo para secadoras a gas)

### Conecte las tuberías de suministro de gas.

Para obtener mayor información consulte la sección *Requisitos de gas*.

1. Asegúrese de que la unidad de secadoras esté equipada para usarse con el tipo de gas que tenga disponible en la lavandería. La unidad de secadoras está equipada de fábrica para utilizarse con gas natural con una conexión NPT de 3/8 plg.
2. Quite la tapa instalada para el envío en cada una de las conexiones de gas en la parte posterior de cada una de las secadoras. Asegúrese de no causar daños a las cuerdas de las tuberías al quitar estas tapas.
3. Conecte cada línea de suministro de gas.
4. Apriete con firmeza todas las conexiones. Abra el suministro de gas y revise todas las conexiones (internas y externas) con algún fluido no corrosivo para detección de fugas, para determinar que no haya fugas de gas.
5. Para la conexión de gas propano líquido, consulte la sección de *Requisitos del suministro de gas*.

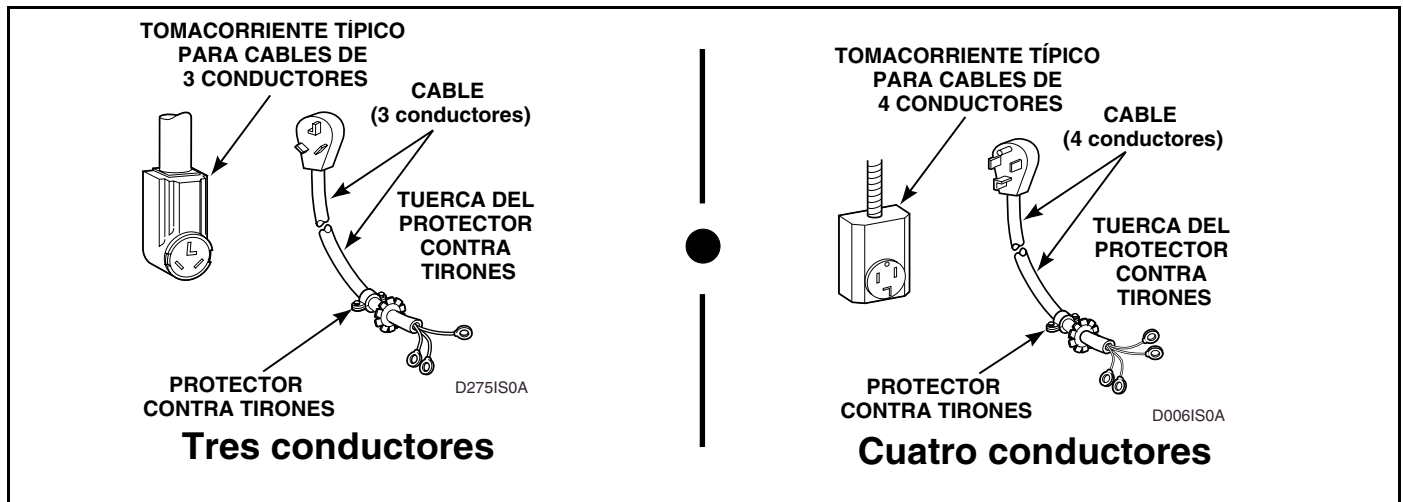


## PASO 4: (SÓLO PARA SECADORAS ELÉCTRICAS)

### Conecte las clavijas eléctricas.

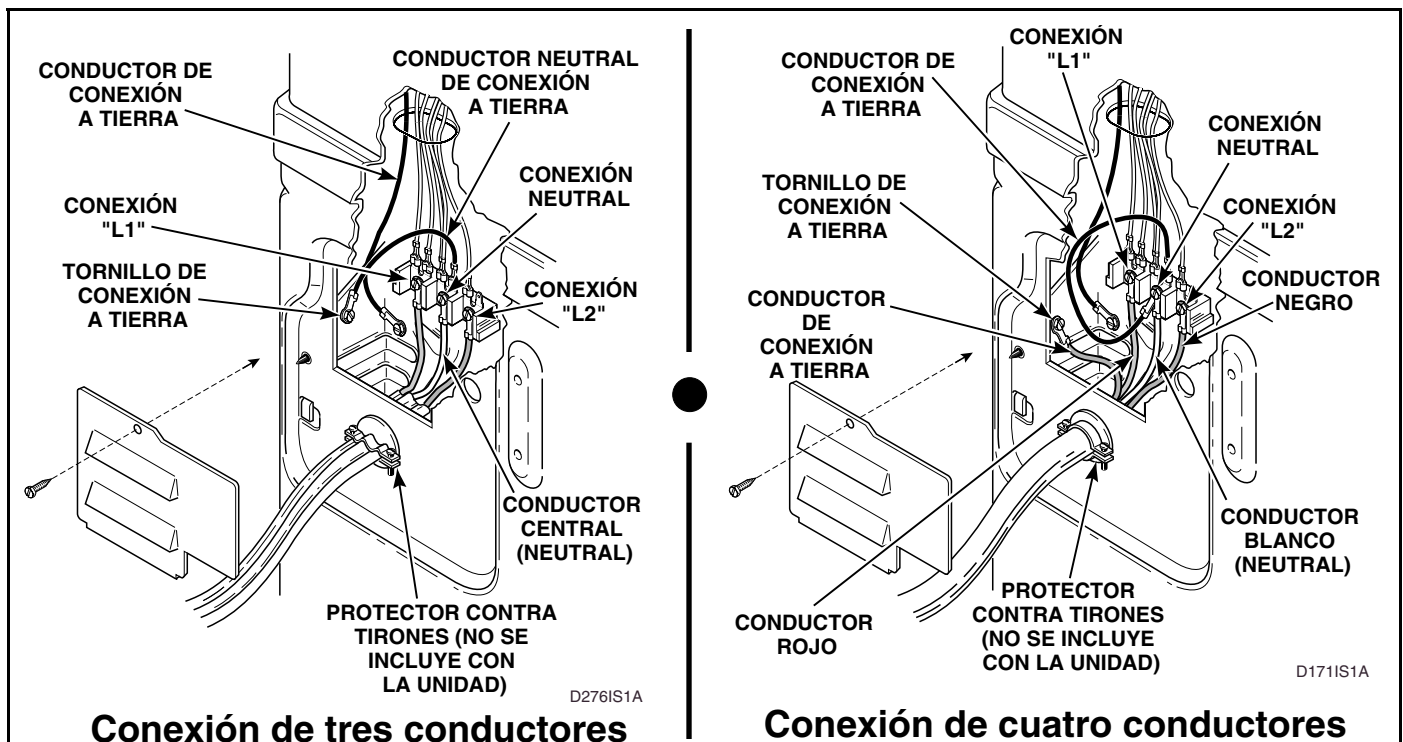
Para obtener mayor información, consulte la sección *Requisitos eléctricos*.

**IMPORTANTE:** Para cada una de las secadoras, use solamente un juego de cable con 3 conductores (sólo alambre de cobre) No. 10 aprobado por los Laboratorios Underwriter (UL) para 240 Voltios (como mínimo), 30 Amperios y que esté certificado para uso en secadoras de ropa.



**NOTA:** Para obtener información más detallada acerca de los cables de 3 ó 4 conductores, consulte la sección *Conexión eléctrica*.

**NOTA:** En las casas móviles o donde los códigos no permitan conectar a tierra a través de un conductor neutral, es necesario usar un cable de 4 conductores.

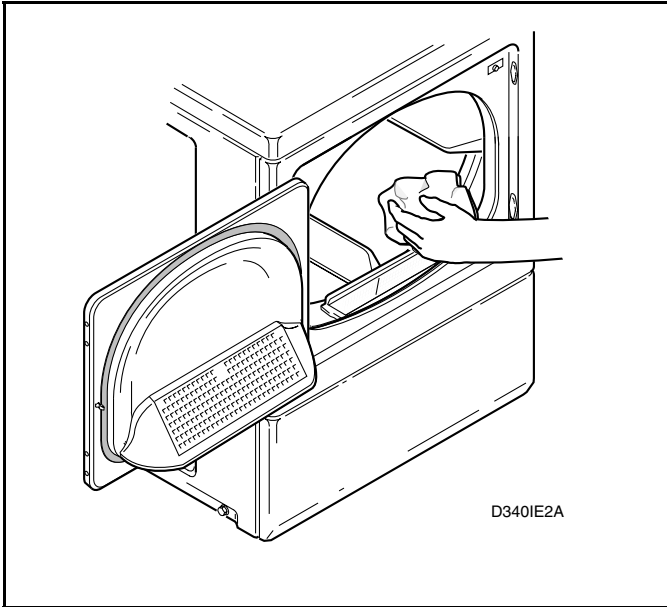


**NOTA:** Se muestra la secadora sin la cubierta de acceso sólo con propósitos de ilustración. NUNCA use una secadora que no tenga instalada la cubierta de acceso.

## PASO 5:

### Limpié el interior de cada una de las secadoras.

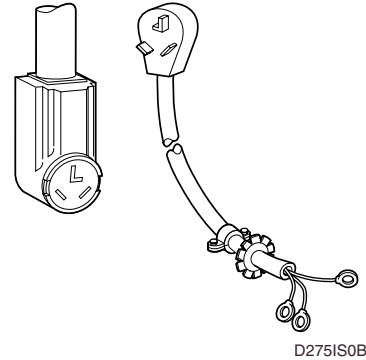
Antes de usar una secadora por primera vez, use un limpiador para propósitos generales o una solución de detergente y agua y una tela húmeda para eliminar el polvo que se acumula durante el envío en el interior del tambor de cada una de las secadoras.



## PASO 6:

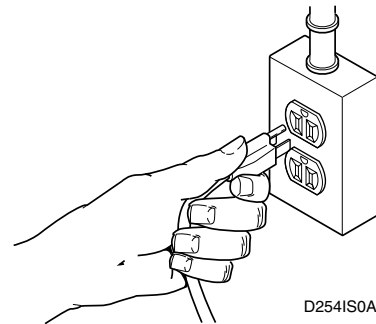
### Conecte cada una de las secadoras.

Consulte la sección *Requisitos eléctricos*, y conecte cada secadora a una fuente de energía eléctrica.



### ELÉCTRICA

Conecte la unidad de secadoras a un circuito de 30 Amperios.



### A GAS

Conecte cada uno de los cables de corriente a un circuito independiente de 15 Amperios.

## PASO 7:

### Revise la instalación.

Consulte la sección *Revisión de la instalación* en la cubierta posterior de este manual y asegúrese de que la unidad de secadoras esté correctamente instalada.



# Revisión de la fuente de calor . . .

## (Secadoras eléctricas)

### Modelos para operar con monedas

Coloque el SELECTOR DE TELA (FABRIC SELECTOR) en la posición NORMAL. Coloque monedas en el deslizador y empuje con cuidado el deslizador lo más posible. La luz indicadora de que la secadora está en uso (**IN USE**) se ilumina indicando que la secadora está lista para comenzar a funcionar. Cierre la puerta del tambor de secado y oprima con firmeza el botón OPRIMIR PARA ARRANCAR (PUSH-TO-START) para que arranque la secadora. Una vez que cualquiera de las secadoras haya funcionado durante tres minutos, el aire de escape y/o su conducto de escape deben estar tibios.

### Modelos para operar sin monedas

Coloque el SELECTOR DE TELA (FABRIC SELECTOR) en la posición NORMAL y gire la perilla selectora de tiempo hasta el 50. Cierre la puerta del tambor de secado y oprima con firmeza el botón OPRIMIR PARA ARRANCAR (PUSH-TO-START) para que arranque la secadora. La luz indicadora de que la secadora está en uso (**IN USE**) se ilumina indicando el inicio del ciclo de secado. Una vez que cualquiera de las secadoras haya funcionado durante tres minutos, el aire de escape y/o su conducto de escape deben estar tibios.

**(continúa)**

## (Secadoras a gas)

Durante la revisión de la secadora a gas, observe la llama del quemador. La llama se puede observar quitando el panel delantero inferior de cada secadora.

### Modelos para operar con monedas

Coloque el SELECTOR DE TELA (FABRIC SELECTOR) en la posición NORMAL. Coloque monedas en el deslizador y empuje con cuidado el deslizador lo más posible. La luz indicadora de que la secadora está en uso (IN USE) se ilumina indicando que la secadora está lista para comenzar a funcionar. Cierre la puerta del tambor de secado y oprima con firmeza el botón OPRIMIR PARA ARRANCAR (PUSH-TO-START) para que arranque la secadora. La secadora comienza a funcionar, el dispositivo de encendido se pone al rojo y se enciende el quemador principal.

### Modelos para operar sin monedas


Coloque el SELECTOR DE TELA (FABRIC SELECTOR) en la posición NORMAL y gire la perilla selectora de tiempo hasta el 50. Cierre la puerta del tambor de secado y oprima con firmeza el botón OPRIMIR PARA ARRANCAR (PUSH-TO-START) para que arranque la secadora. La luz indicadora de que la secadora está en uso (IN USE) se ilumina indicando el inicio del ciclo de secado, el dispositivo de encendido se pone al rojo y se enciende el quemador principal.

**IMPORTANTE:** Si no se purga todo el aire de la línea de gas, es posible que el dispositivo de encendido se apague antes de que el gas se haya encendido. Si esto sucede, después de aproximadamente dos minutos, el dispositivo de encendido intenta una vez más encender el gas.

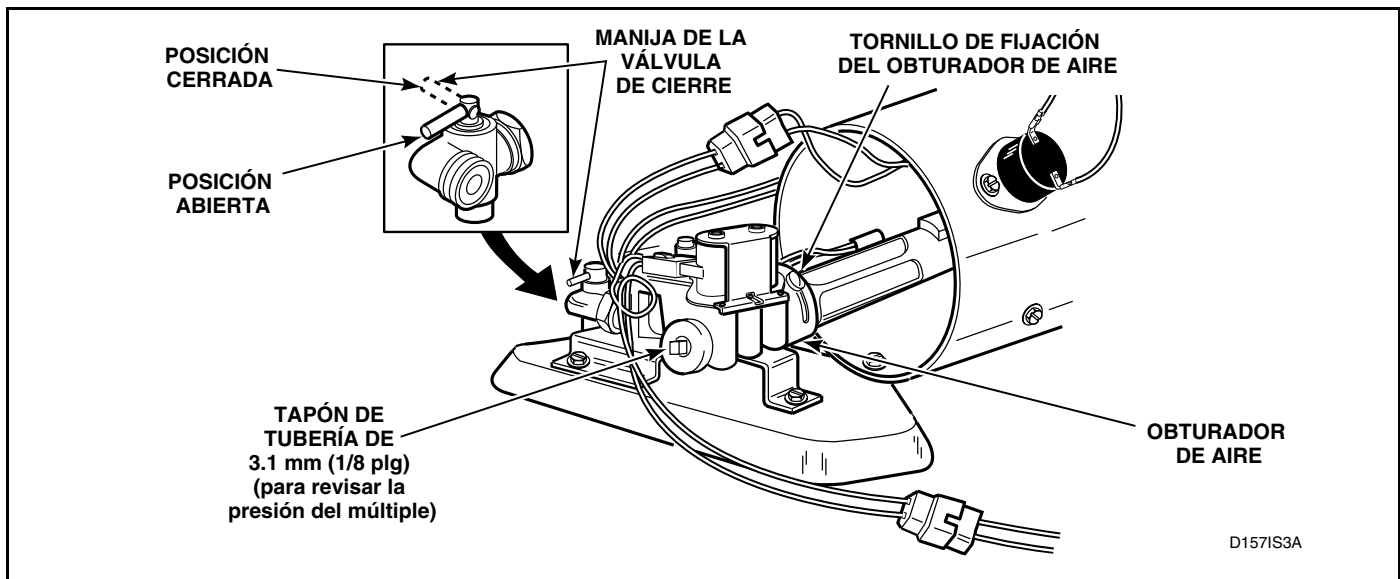
### Todos los modelos

Una vez que cualquiera de las secadoras haya funcionado durante aproximadamente cinco minutos, observe la llama del quemador. Ajuste el obturador de aire hasta que obtenga una llama suave, uniforme y azul. (Una llama sin fuerza, con la punta amarilla indica que falta aire, mientras que una llama muy azul, grande y excitada indica que está entrando demasiado aire.) Ajuste el obturador de aire como se indica a continuación:

1. Afloje el tornillo de fijación del obturador de aire.
2. Gire el obturador de aire hacia la izquierda hasta que obtenga una punta amarilla luminosa en la llama, luego gírelo hacia la derecha lentamente hasta que obtenga una llama azul constante y suave.
3. Después de que el obturador de aire haya quedado ajustado a producir una llama adecuada, apriete con firmeza el tornillo de fijación.
4. Vuelva a instalar el panel delantero inferior.

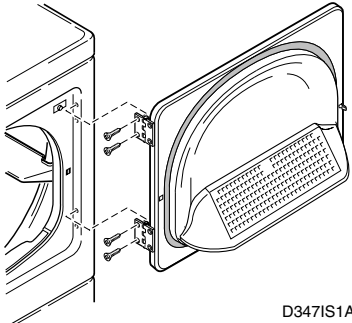
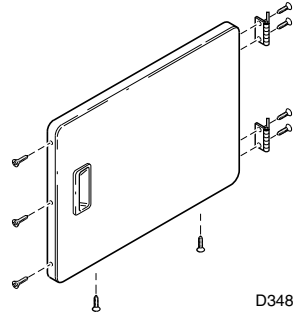
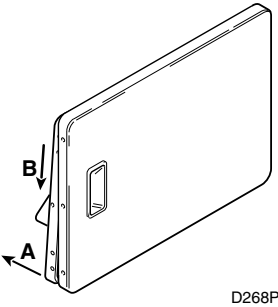
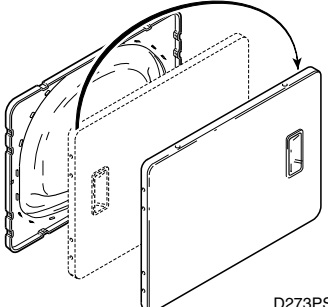
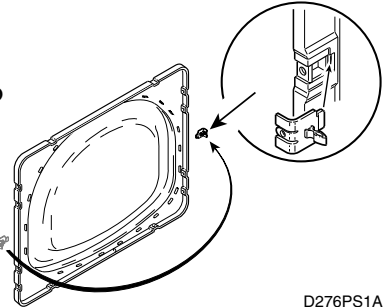
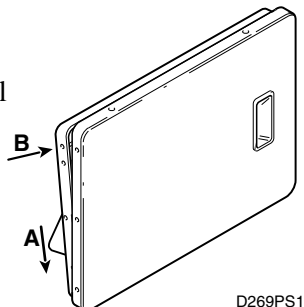
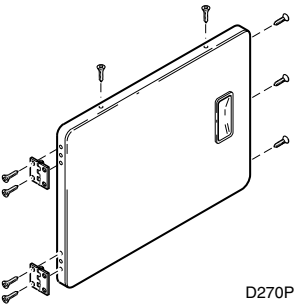
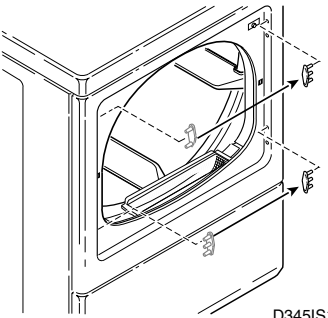
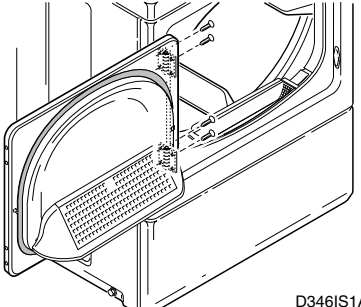
	<b>ADVERTENCIA</b>
<b>Por su seguridad personal, el panel delantero inferior de cada una de las secadoras debe estar en su lugar durante el uso normal.</b>	
W046S	

Una vez que cualquiera de las secadoras haya funcionado durante aproximadamente tres minutos, el aire de escape o su conducto de escape deben estar tibios.



# Procedimiento para invertir la posición de cada puerta . . .

La puerta de cada una de estas secadoras es completamente reversible. Para invertir su posición haga lo siguiente:

<p><b>1</b></p> <p>Saque los cuatro tornillos que sostienen las bisagras.</p>  <p>D347IS1A</p>	<p><b>2</b></p> <p>Saque los nueve tornillos.</p>  <p>D348IS1A</p>
<p><b>3</b></p> <p>Tire hacia fuera de la parte inferior del panel interior de la puerta, y luego tire hacia abajo, separando el panel interior del panel exterior de la puerta.</p>  <p>D268PS1A</p>	<p><b>4</b></p> <p>Quite el dispositivo de cerradura del panel interior de la puerta y vuelva a instalarlo en el lado opuesto.</p>  <p>D273PS1A</p>
<p><b>5</b></p> <p>Quite el dispositivo de cerradura del panel interior de la puerta y vuelva a instalarlo en el lado opuesto.</p>  <p>D276PS1A</p>	<p><b>6</b></p> <p>Inserte el forro debajo del reborde en la parte inferior de la puerta y seguidamente empuje la parte superior de la puerta hasta que quede en su lugar.</p>  <p>D269PS1C</p>
<p><b>7</b></p> <p>Vuelva a meter los nueve tornillos que sacó en el paso 2.</p>  <p>D270PS1A</p>	<p><b>8</b></p> <p>Con un destornillador, saque los dos tapones de la puerta y vuelva a colocarlos en el lado opuesto de la abertura de la puerta.</p>  <p>D345IS1B</p>
<p><b>9</b></p> <p>Vuelva a instalar los cuatro tornillos en las bisagras que sacó en el paso 1.</p>  <p>D346IS1A</p>	

# Requisitos eléctricos . . .

## (Secadoras eléctricas)

**(Instalación de 120/240 Voltios, 60 Hertzios, de 3 conductores)**  
**(Instalación de 120/208 Voltios, 60 Hertzios, de 3 conductores)**

NOTA: El diagrama de cableado está ubicado detrás del tablero de control, dentro del gabinete de control.



### ADVERTENCIA

Para reducir el riesgo de causar un incendio, una descarga eléctrica o de sufrir lesiones personales, todo el cableado y las conexiones a tierra **DEBEN** cumplir con la última edición del Código eléctrico de los EE. UU. ANSI/NFPA 70 ó con el Código Eléctrico Canadiense, CSA C22.1, y los reglamentos locales que se apliquen. Es responsabilidad del consumidor hacer que un electricista revise el cableado y los fusibles para asegurarse de que la lavandería cuenta con la energía eléctrica adecuada para que funcionen la secadora.

W035S

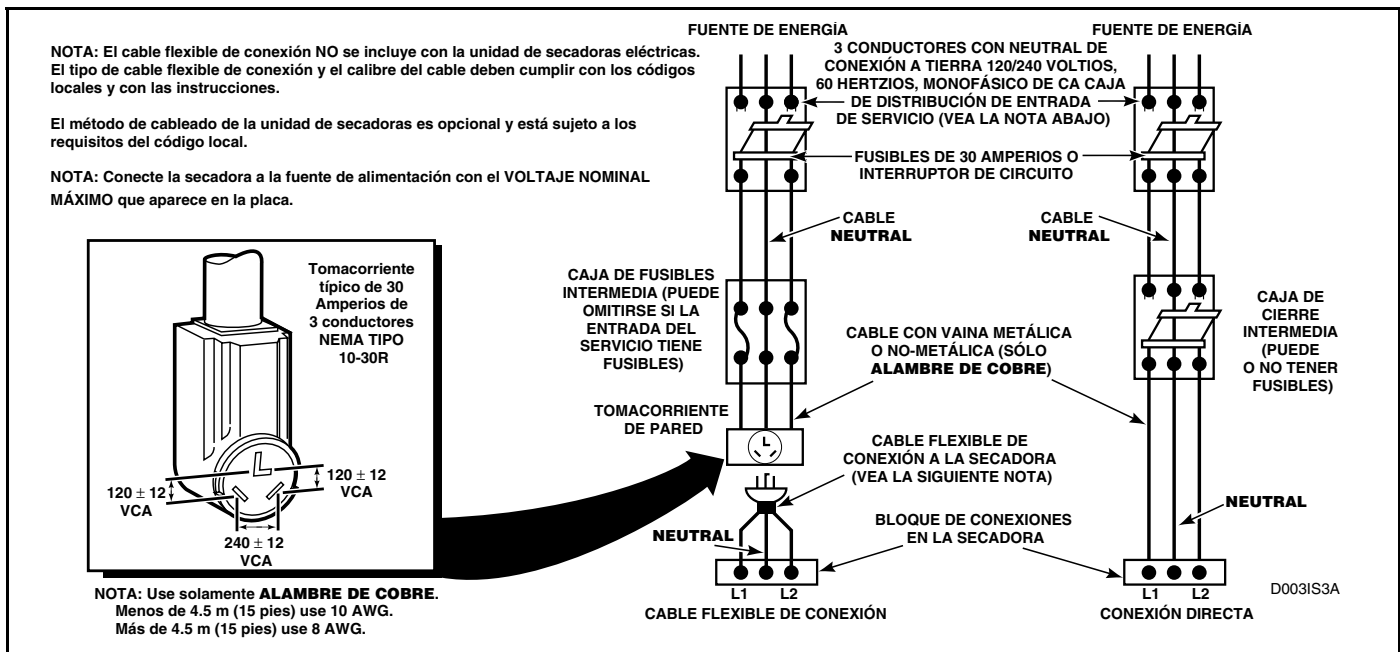
### Instrucciones de cableado y de conexión a tierra

- Cada secadora debe estar conectada a alguna pieza de metal que proporcione conexión a tierra o a un sistema permanente de cableado, o será necesario instalar un conductor de conexión a tierra para equipo en los conductores de circuito conectado a la conexión a tierra del equipo en cada una de las secadoras.
- Cada secadora tiene su propio bloque de conexiones que debe ser conectado a una ramal independiente de un circuito de 60 Hertzios, monofásico, de corriente alterna

(CA), con fusibles para 30 Amperios (el circuito debe tener fusibles a ambos lados de la línea). **EL SERVICIO ELÉCTRICO A LA UNIDAD DE SECADORAS DEBE SER APROBADO PARA EL VOLTAJE MÁXIMO QUE APARECE EN LA PLACA. NO CONECTE LAS SECADORAS A UN CIRCUITO DE 110, 115 Ó 120 VOLTIOS.** Hay elementos de calentamiento disponibles para instalación en sus instalaciones para las unidades de secadoras que deben ser conectadas en un servicio eléctrico de distinto voltaje que el indicado en la placa, tal como uno de 208 Voltios.

- Si la ramal del circuito a cada una de las secadoras mide 4.5 m (15 pies) o menos, use cable No. 10 A.W.G. (sólo de cobre) aprobado por los Laboratorios Underwriter (UL). Si mide más de 4.5 m (15 pies) use cable No. 8 A.W.G. (sólo de cobre) aprobado por los Laboratorios Underwriter (UL), o el especificado por los códigos locales. Permita que el cable tenga suficiente longitud, de tal forma que pueda mover la unidad de secadoras cuando sea necesario.
- El cable flexible de conexión entre el tomacorriente de pared y el bloque de conexiones de cada secadora **NO se incluye con la unidad de secadoras.** El tipo de cable flexible de conexión y el calibre del cable deben cumplir con los códigos locales y con las instrucciones que aparecen en las siguientes páginas.

El método de cableado de la unidad de secadoras es opcional y está sujeto a las normas del código local. Vea los ejemplos a continuación.



# Conexión eléctrica . . .

## (Cable de corriente de tres conductores)



### ADVERTENCIA

Cada secadora está conectada a tierra al conductor neutral en un bloque de conexiones. Si los códigos locales no permiten conectar a tierra a través del conductor neutral, proceda como se indica en las instrucciones para *Conexión con cuatro conductores*.

W148S

Para reducir el riesgo de recibir una descarga eléctrica, desconecte el servicio eléctrico a la unidad de secadoras antes de seguir adelante.

W149S

1. Saque el tornillo y quite la cubierta de acceso del bloque de conexiones de la parte posterior del gabinete de cada una de las secadoras.
2. Meta los extremos del cable directo a través del orificio de la fuente de energía (que contiene el protector contra tirones adecuado) en la parte posterior del gabinete de cada una de las secadoras. Vea la siguiente página. Conecte el cable de corriente eléctrica, o el cableado directo, a la conexión apropiada de cada bloque de conexiones utilizando los tornillos de sujeción de los tres conductores (10-32 x 3/8 plg) del paquete de accesorios en el sobre que enviamos dentro del tambor de la secadora inferior. Si la unidad de

secadoras ha sido conectada previamente con cables de corriente eléctrica de cuatro conductores, desconecte los cables de cuatro conductores invirtiendo los procedimientos que aparecen en las instrucciones *Cable de corriente eléctrica de cuatro conductores*.

**IMPORTANTE:** En cada una de las secadoras use solamente juegos de cables de 3 conductores aprobados por los Laboratorios Underwriter (UL) No. 10 AWG (sólo alambre de cobre) especificados para 240 Voltios (mínimo), 30 Amperios y adecuados para usarse en secadoras de ropa.

3. Apriete estos tornillos de sujeción con firmeza.

**IMPORTANTE:** Si no se aprietan estos tornillos con firmeza, los conductores pueden zafarse en el bloque de conexiones.

4. Fije el protector contra tirones al cable de corriente eléctrica, o conductores donde entran al gabinete de cada una de las secadoras.
5. Revise la continuidad de la conexión a tierra antes de conectar cada cable de corriente en un tomacorriente. Use un dispositivo indicador adecuado conectado a la patilla de conexión central de la clavija y al tornillo verde en la parte posterior del gabinete.
6. Vuelva a instalar cada una de las cubiertas de acceso con sus tornillos.

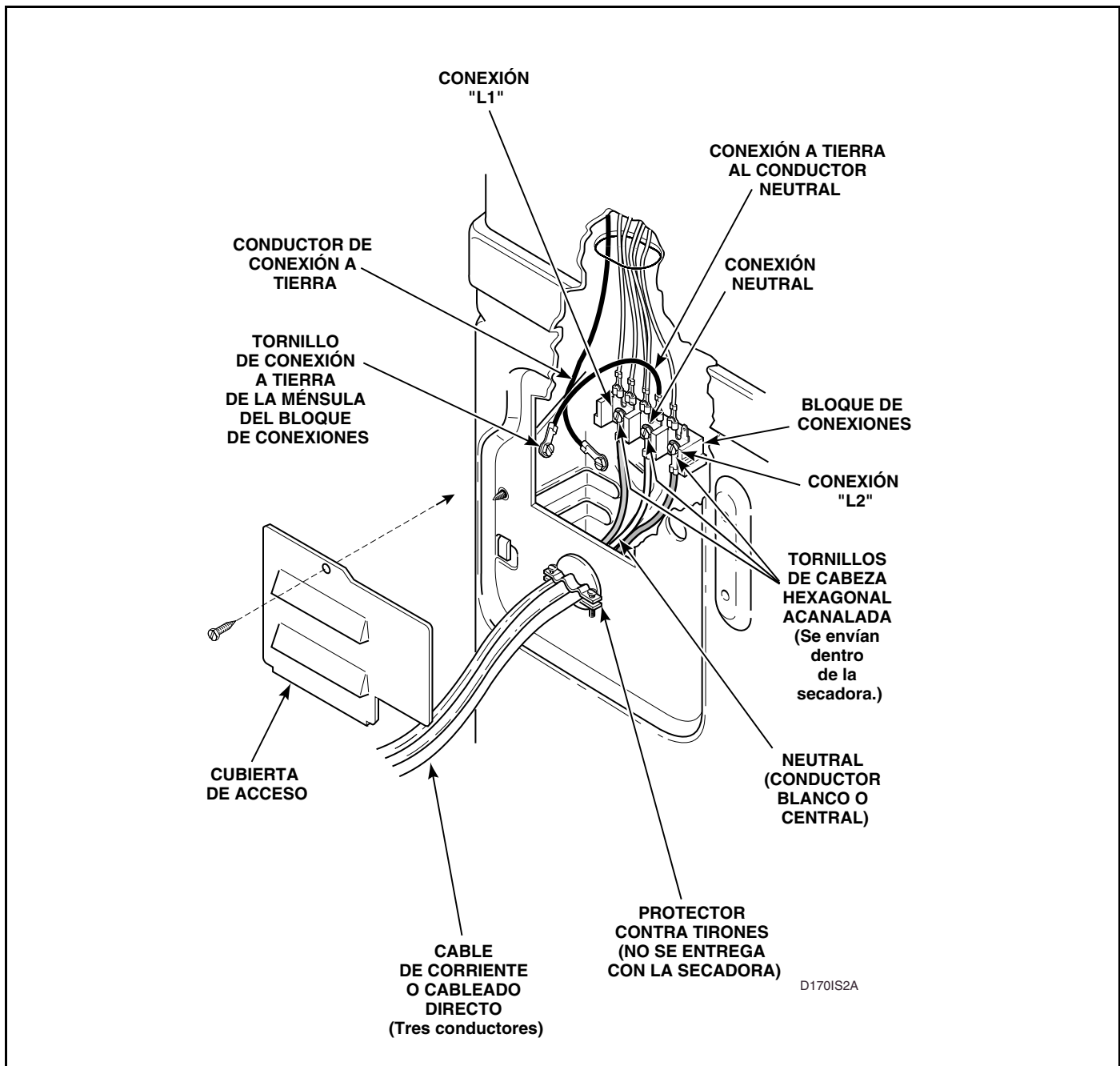
PATILLA REDONDA DE CONEXIÓN A TIERRA

DISPOSITIVO INDICADOR (DEBE MOSTRAR CONTINUIDAD)

TORNILLO VERDE EN LA PARTE POSTERIOR DEL GABINETE

D3571S3A

## Conexión de tres conductores



## ADVERTENCIA

Se muestra una secadora sin la cubierta de acceso sólo con propósitos de ilustración. Para reducir el riesgo de sufrir una descarga eléctrica, **NUNCA** use la unidad de secadoras sin las cubiertas de acceso.


W150S

## (Cable de corriente de cuatro conductores)

**IMPORTANTE:** En cada una de las secadoras use solamente un juego de cable de corriente eléctrica de cuatro conductores aprobado por los Laboratorios Underwriter (UL) No. 10 AWG (sólo alambre de cobre) especificado para 240 Voltios (mínimo), 30 Amperios y adecuado para usarse en una unidad de secadoras de ropa.

**NOTA:** Los cables de corriente eléctrica no se incluyen con la unidad de secadoras cuando ésta se envía desde la fábrica; por lo tanto, no ponga atención a los pasos 2 y 3 siguientes al conectar cables de corriente eléctrica de cuatro conductores a una unidad de secadoras nueva.

Si la unidad de secadoras tiene conectado cable de tres conductores, complete los pasos del 1 al 12.

	<h3>ADVERTENCIA</h3>
<p>Para reducir el riesgo de recibir una descarga eléctrica, desconecte el servicio eléctrico a la unidad de secadoras antes de seguir adelante.</p>	
<small>W151S</small>	

1. Saque el tornillo que sostiene la cubierta de acceso en la parte posterior del gabinete de cada una de las secadoras.
2. Saque los tres tornillos que sostienen los tres conductores a las terminales de cada bloque de conexiones. Guarde estos tornillos.
3. Afloje el tornillo del protector contra tirones y tire del cable de corriente o de los conductores hacia fuera a través de la parte posterior de cada una de las secadoras.
4. Saque el tornillo de conexión a tierra de la ménsula de conexiones que sostiene el cable de corriente a la ménsula de montaje del bloque de conexiones. Guarde el tornillo.

**NOTA:** EN LAS SECADORAS NUEVAS, éste es el conductor de conexión a tierra de la conexión neutral (central) en el bloque de conexiones a la ménsula de montaje.

### Instalación del cable de corriente de cuatro conductores

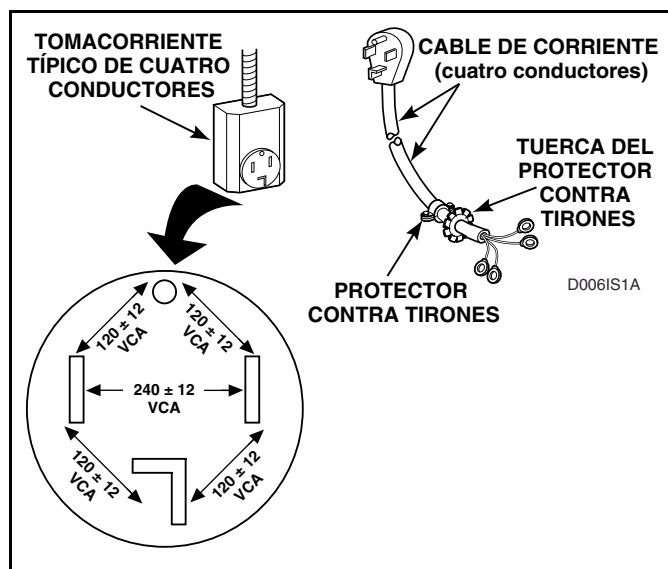
5. Pase el extremo del cable de corriente de cuatro conductores a través del protector contra tirones. **NO** apriete los tornillos del protector contra tirones en este momento.
6. Introduzca el extremo del cable de corriente y el protector contra tirones a través del orificio en la parte posterior del gabinete de la unidad de secadoras. Instale la tuerca del protector contra tirones desde el interior del gabinete y apriete con firmeza.

7. Una el cable verde de conexión a tierra (del cable de corriente de 4 conductores) a la ménsula de montaje del bloque de conexiones utilizando el tornillo de cabeza hexagonal que sacó en el paso 4. Apriete el tornillo con firmeza.
8. Utilizando los tornillos de sujeción de los tres conductores (10-32 x 3/8 plg) del sobre de accesorios dentro del tambor de la secadora inferior ( a menos que los haya sacado anteriormente en el paso 2), una los conductores del cable de corriente a las terminales del bloque de conexiones como se indica a continuación:
  - a. rojo con rojo
  - b. negro con negro
  - c. blanco con blanco (Vea la siguiente NOTA.)

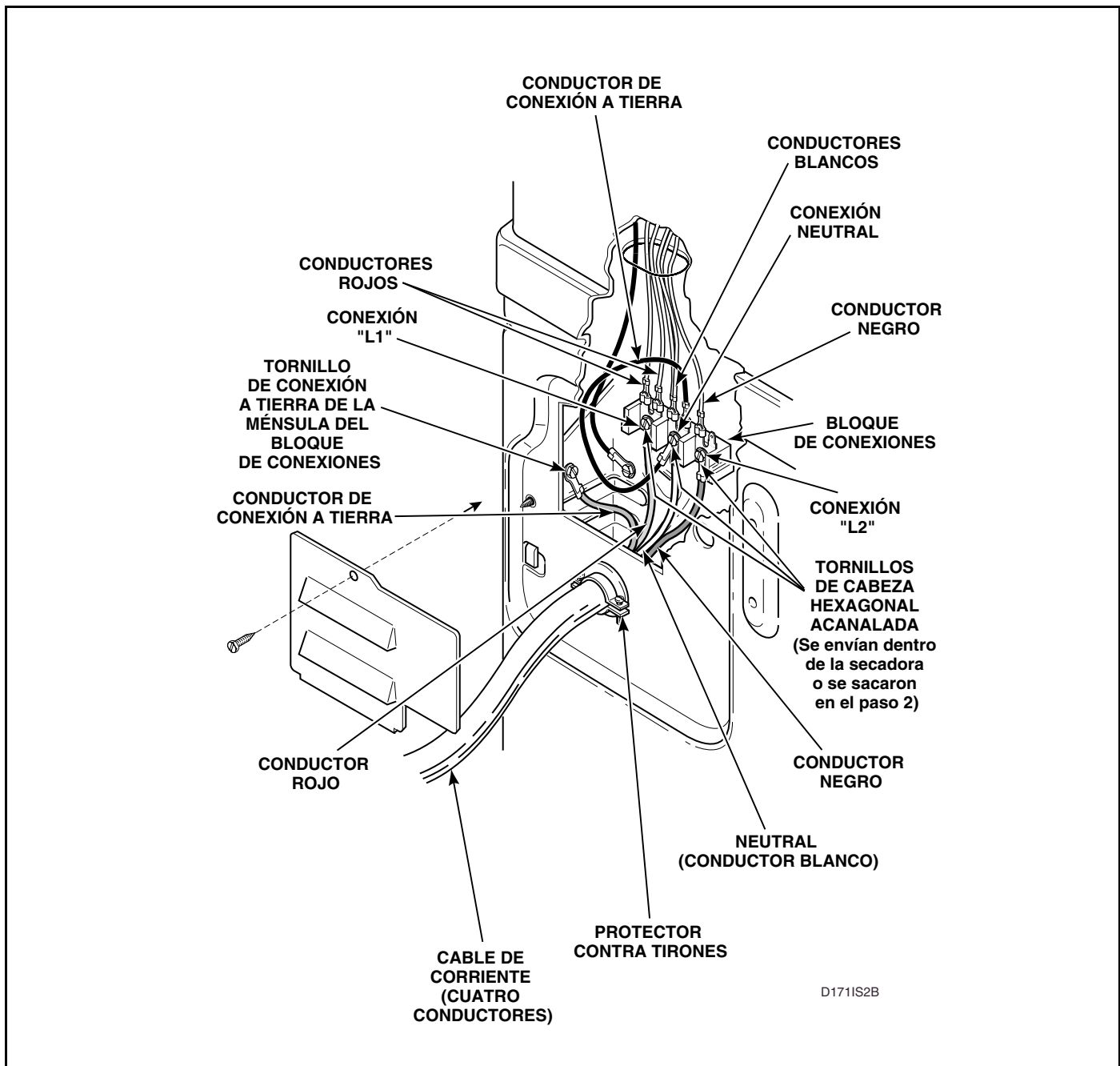
**NOTA:** Cuando instale el conductor blanco, tome el extremo del ojal libre del conductor de conexión a tierra (del paso 4) y colóquelo junto con el conductor blanco y una ambos conductores a la conexión neutral (central) en el bloque de conexiones. Vea la siguiente página.

**IMPORTANTE:** Si no se aprietan las tuercas con firmeza en el bloque de conexiones el cable de corriente puede fallar.

9. Apriete los dos tornillos del protector contra tirones para fijar el cable de corriente.
10. Vuelva a revisar todos los tornillos para asegurarse de que estén bien apretados.
11. Revise la continuidad de la conexión a tierra antes de conectar el cable de corriente en un tomacorriente. Use un indicador adecuado en la patilla central de conexión a tierra de la clavija y en el tornillo verde en la parte posterior del gabinete. Vea la ilustración en la siguiente página.
12. Vuelva a instalar la placa de acceso y atorníllela a la parte posterior de la secadora.



## Conexión de cuatro conductores



### ADVERTENCIA

Se muestra una secadora sin la cubierta de acceso sólo con propósitos de ilustración. Para reducir el riesgo de sufrir una descarga eléctrica, **NUNCA** use la unidad de secadoras sin las cubiertas de acceso.

W150S




# Requisitos eléctricos . . .

## (Secadoras a gas)

**(Clavija de conexión a tierra de 3 patillas de 120 Voltios, 60 Hertzios)**

NOTA: El diagrama de cableado está atrás del tablero de control, dentro del gabinete de control.




### ADVERTENCIA

Para reducir el riesgo de causar un incendio, una descarga eléctrica o de sufrir lesiones personales, todo el cableado y las conexiones a tierra **DEBEN** cumplir con la última edición del Código eléctrico de los EE. UU. ANSI/NFPA 70 ó con el Código Eléctrico Canadiense, CSA C22.1, y los reglamentos locales que se apliquen. Es responsabilidad del consumidor hacer que un electricista revise el cableado y los fusibles para asegurarse de que la lavandería cuenta con la energía eléctrica adecuada para que funcionen la secadora.

W035S

- Cada una de las secadoras está diseñada para ser conectada en una ramal independiente, polarizada, de tres conductores, conectada a tierra, de 120 Voltios, 60 Hertzios, circuito de corriente alterna (CA), protegido por un **fusible de 15 Amperios**, Fusetrón (fusible de acción lenta) o interruptor de circuito.
- La clavija de conexión a tierra de tres patillas en el cable de corriente debe ser conectada directamente en un tomacorriente con conexión a tierra de tres ranuras de 120 Voltios de CA (corriente alterna) de 15 Amperios. Vea la siguiente ilustración para determinar la polaridad correcta del tomacorriente de la pared.



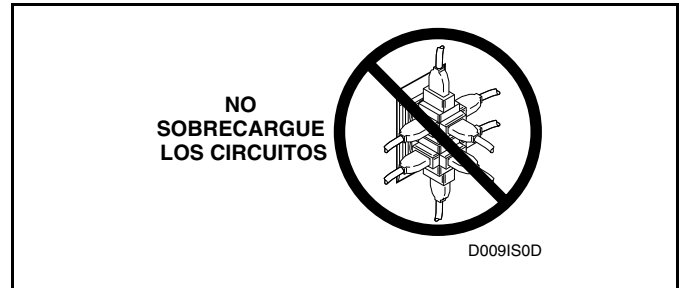
### ADVERTENCIA


Estas secadoras están equipadas con clavijas de tres patillas (con conexión a tierra) para su protección contra descargas eléctricas y deben ser conectadas directamente en tomacorrientes con conexión a tierra de tres orificios. **No corte ni quite las patillas de conexión a tierra de estas clavijas.**

W036S

NOTA: Un electricista calificado debe revisar la polaridad de los tomacorrientes de pared. Si la lectura de voltaje es distinta de la ilustrada, el electricista calificado debe corregir el problema.

- **NO USE OTROS APARATOS ELÉCTRICOS MIENTRAS ESTE APARATO ESTÉ FUNCIONANDO.** ¡NO SOBRECARGUE LOS CIRCUITOS! Vea la siguiente ilustración.

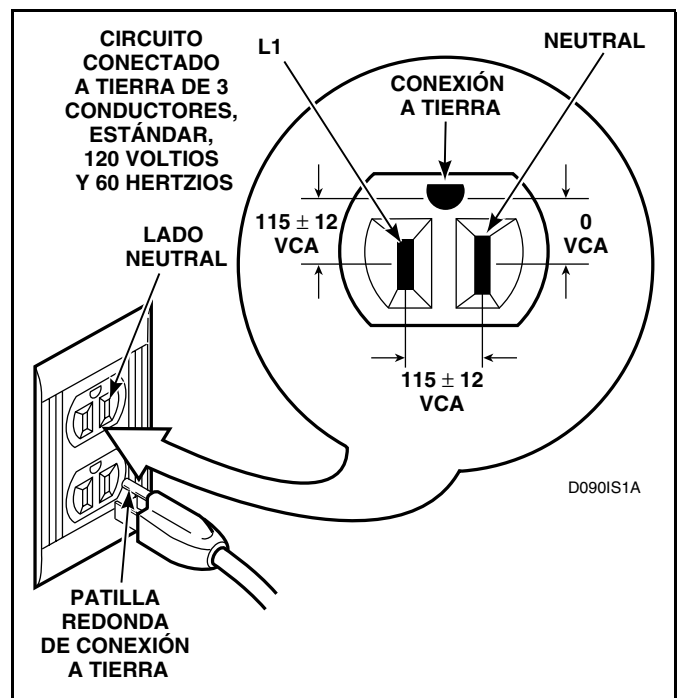




### ADVERTENCIA

Para reducir el riesgo de sufrir una descarga eléctrica o incendio, **NO** use una extensión de cable de corriente ni un adaptador para conectar alguna secadora a la fuente de energía eléctrica.

W152S



## Instrucciones para conectar a tierra

- La unidad de secadoras debe estar conectada a tierra correctamente. En caso de que se presente alguna avería o descompostura, la conexión a tierra reduce el riesgo de recibir una descarga eléctrica al ofrecer una ruta de menor resistencia al paso de la corriente eléctrica. Cada una de las secadoras está equipada con un cable de corriente que cuenta con un conductor de conexión a tierra y una clavija de tres patillas. Es necesario que cada clavija esté conectada en el tomacorriente apropiado que debe estar correctamente instalado y conectado a tierra, de acuerdo a las normas y los reglamentos locales.

- **NO** modifique las clavijas que se entregan con la unidad de secadoras—si no las puede conectar en tomacorrientes, haga que un electricista calificado instale tomacorrientes adecuados.
- Si el servicio eléctrico en la lavandería no cumple con las especificaciones y/o si no está seguro de que la lavandería tiene una buena conexión a tierra, haga que un electricista calificado o su compañía de electricidad local hagan una revisión y corrijan cualquier problema.



### ADVERTENCIA

**Si se conecta incorrectamente el conductor de conexión a tierra del equipo puede ocasionarse el riesgo de sufrir una descarga eléctrica. Consulte con un electricista calificado o con un técnico de servicio si tiene dudas acerca de la conexión a tierra de la unidad de secadoras.**

W153S

# Requisitos de gas . . .

## (Secadoras a gas)

**NOTA:** El servicio de gas a una secadora a gas debe cumplir con los códigos y los reglamentos locales, o de no existir estos, debe cumplir con la última edición del Código de combustible a gas de EE. UU. ANSI Z223.1/ NFPA 54 ó el Código de instalación de gas de EE. UU., CAN/CGA-B149.

**Gas natural**, 1,000 Btu/pie<sup>3</sup> (37.3 MJ/m<sup>3</sup>) – El servicio de gas deberá suministrarse a una presión de columna de agua de 6.5 ± 1.5 pulgadas.

Para obtener un funcionamiento adecuado a altitudes mayores de 610 m (2,000 pies) el tamaño de orificio del mechero de la válvula de gas debe ser reducido para asegurar una combustión completa. Consulte la tabla de la derecha.

**Gas propano líquido**, 2,500 Btu/pie<sup>3</sup> (93.1 MJ/m<sup>3</sup>) – El servicio de gas deberá suministrarse a una presión de columna de agua de 10 ± 1.5 pulgadas.

**NOTA:** NO conecte la secadora al servicio de gas propano líquido sin la previa conversión de la válvula de gas. Deberá hacer que el concesionario o distribuidor autorizado por el fabricante, o personal de servicio local, instale un conjunto de conversión a gas propano líquido (Nº 458P3).

**NOTA:** La unidad de secadoras y sus válvulas de cierre individuales deben ser desconectadas del sistema de tuberías de suministro de gas durante cualquier prueba de presión de ese sistema a presiones de prueba mayores a 3.45 kPa (1/2 psi).

La unidad de secadoras debe ser aislada del sistema de tuberías de suministro de gas cerrando sus válvulas manuales de cierre individual durante cualquier prueba de presión de las tuberías de suministro de gas a presiones de prueba iguales o menores a 3.45 kPa (1/2 psi).

**NOTA:** Al conectar a una línea de gas, es necesario instalar una válvula de cierre al equipo a menos de 1.8 m (6 pies) de cada secadora. Es necesario instalar un tapón de tubería NPT de 3.1 mm (1/8 plg) como se indica. Consulte la ilustración.



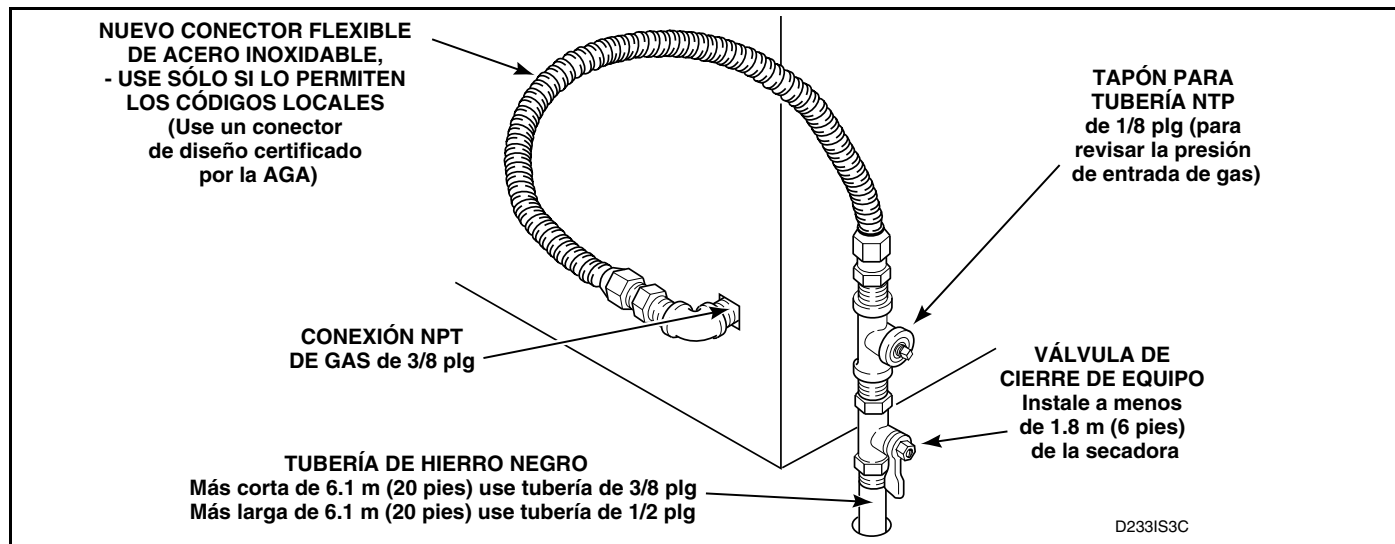
### ADVERTENCIA

Para reducir el riesgo de que ocurran fugas de gas, incendio o explosión:

- Cada una de las secadoras debe estar conectada al tipo de gas indicado en la placa que está en la abertura para la puerta.
- Utilice un conector flexible nuevo de acero inoxidable.
- Utilice compuesto para uniones de tubería que sea insoluble en gas propano líquido o, en su defecto, cinta de teflón, en todas las roscas de unión de tubería.
- Purgue el aire y el sedimento de la línea de suministro de gas antes de conectarla a la unidad de secadoras. Antes de apretar la conexión, purgue el resto del aire de la línea de gas a la unidad de secadoras hasta que detecte un olor a gas. Este paso es necesario para evitar la contaminación en la válvula de gas.
- No use una llama para revisar si hay fugas de gas. Use algún líquido no corrosivo de detección de fugas.

W154SR1

Altitud		Tamaño del orificio			Número de pieza
pies	metros	No.	Pulgadas	mm	
2000	610	41	0.0960	2.44	503776
3000	915	42	0.0935	2.37	503777
5500	1680	43	0.0890	2.26	503778
7000	2135	44	0.0860	2.18	58719
9000	2745	45	0.0820	2.08	503779
10500	3200	46	0.0810	2.06	503780



# Requisitos de ubicación . . .

Elija una ubicación con un piso firme.

No se debe instalar ningún otro aparato electrodoméstico en el mismo closet (armario) donde instale la unidad de secadoras.

La unidad de secadoras no debe ser instalada o almacenada en un área en la que quede expuesta al agua o a la intemperie.

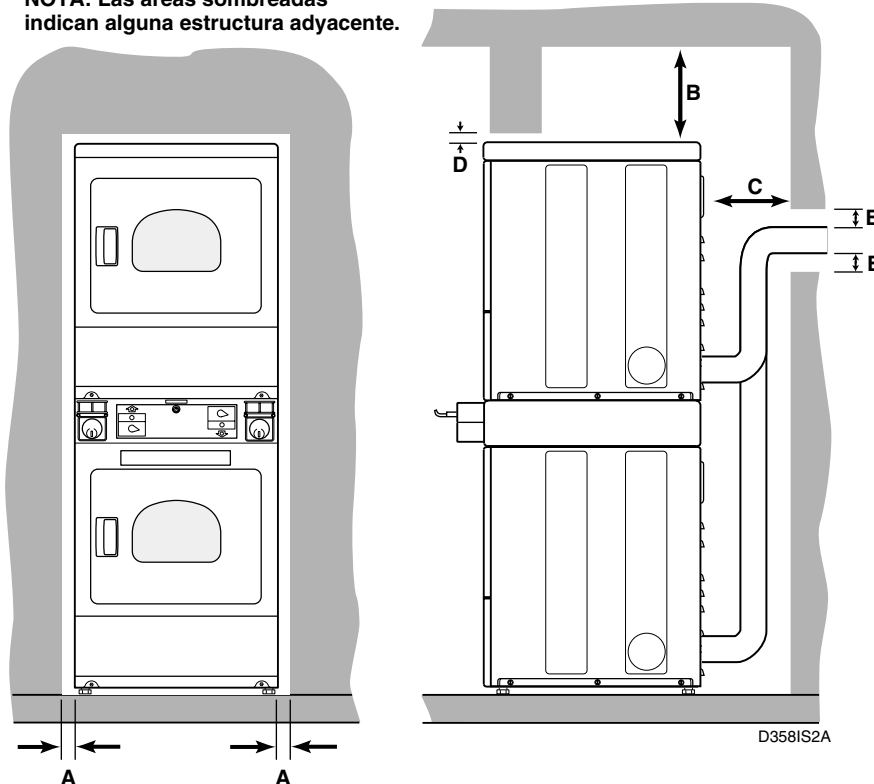
Las patas niveladoras pueden ser ajustadas desde adentro de la unidad de secadoras con un destornillador de 1/4 plg. Las cuatro patas deben descansar sólidamente en el piso, de tal forma que el peso de la unidad quede distribuido uniformemente. La unidad de secadoras no debe quedar desbalanceada.

**IMPORTANTE:** A menos de que esté completamente ensamblada, **NO** deslice la unidad de secadoras sobre el piso. **NO** deslice la unidad una vez que haya sacado las patas niveladoras, ya que estas patas y la base podrían dañarse.


La unidad de secadoras necesita tener suficiente espacio y un adecuado suministro de aire para que funcione correctamente y tenga una buena ventilación, y para facilitar el servicio y la instalación. (Los espacios mínimos se indican a continuación.)

Espacio libre para las secadoras y los conductos para los gases de escape		
Area	Descripción	Espacio libre mínimo
A	Lados de la secadora	0 cm (0 plg)
B	Arriba de la secadora (atrás 24 plg)	5.1 cm (2 plg)
C	Parte posterior de la secadora	10.2 cm (4 plg)
D	Arriba de la secadora (adelante 4 plg)	0 cm (0 plg)
E	Conducto de gases de escape de material combustible	5.1 cm (2 plg)

**NOTA:** Las áreas sombreadas indican alguna estructura adyacente.



# Requisitos para el escape de las secadoras . . .

	<b>ADVERTENCIA</b>
<p>Las secadoras de ropa producen pelusa combustible. Para reducir el riesgo de causar un incendio y la acumulación de gases, las secadoras <b>DEBEN</b> tener una salida de escape al exterior.</p> <p style="text-align: right;">W116S</p> <p>Este aparato electrodoméstico a gas contiene o produce sustancias químicas que pueden causar la muerte o enfermedades serias y que el Estado de California tiene conocimiento de que pueden causar cáncer, defectos de nacimiento u otros problemas reproductivos. Para reducir el riesgo que presentan las sustancias del combustible o las sustancias que resultan de la combustión, asegúrese de que este aparato electrodoméstico esté instalado, funcione y reciba mantenimiento de acuerdo a las instrucciones de este folleto.</p> <p style="text-align: right;">W115S</p> <p>Para reducir el riesgo de ocasionar un incendio y la acumulación de gases, <b>NO</b> deje escapar el aire de la secadora hacia un pozo de ventana, un conducto de ventilación de gas, una chimenea, o un área cerrada, mal ventilada, tal como un desván, una pared, el techo, el sótano bajo el edificio o algún lugar cerrado de un edificio.</p> <p style="text-align: right;">W045S</p> <p>Para reducir el riesgo de incendio <b>NO</b> use tubería de plástico como línea de escape de los gases de combustión de la secadora.</p> <p style="text-align: right;">W041S</p>	

Nunca instale conductos flexibles en espacios cerrados, tales como dentro de paredes o en techos.

## Materiales para el sistema de escape

Los materiales para el sistema de escape no se incluyen con la unidad de secadoras.

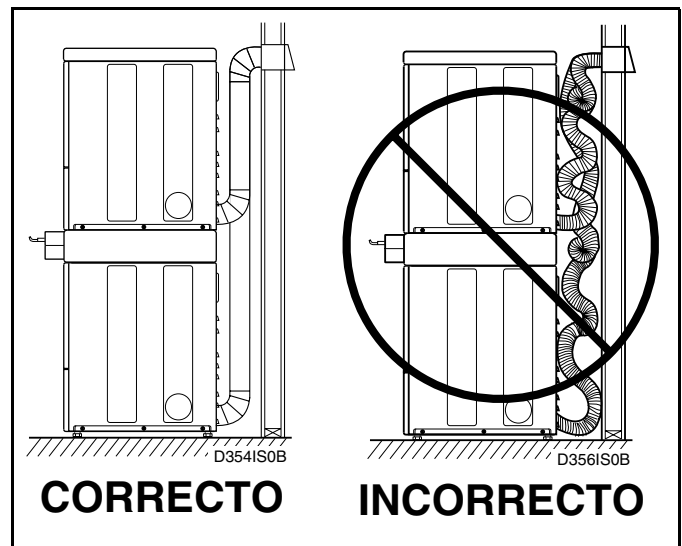
El conducto de escape de cada una de las secadoras debe tener un diámetro de 10.2 cm (4 plg) sin obstrucciones. Se recomienda usar conductos rígidos de metal. Los conductos no combustibles, semi-rígidos son aceptables. **No use** tubería de plástico ni tubería flexible de plástico, ya que contribuyen a un mal rendimiento de secado y a la acumulación de pelusa, lo que puede ocasionar incendios.

**NO** use tornillos para lámina metálica en las uniones de las tuberías de escape, ni cualquier otro medio de unión que entre dentro del conducto y donde se pudiera acumular pelusa que pudiera reducir la eficiencia del sistema de escape. Asegure todas las uniones con cinta adhesiva para conductos.

504524 (SP)

DESCRIPCIÓN	JUEGO P/N	PUEDE OBTENERSE LOCALMENTE
Conducto de escape (4 plg de diámetro)	No disponible	Sí
Conducto flexible de metal (4 plg de diámetro)	521P3	Sí
Campanas para la intemperie con reguladores de tiro en bisagras (4 plg)	No disponible	Sí
Juego de escape direccional	528P3	No
Cinta adhesiva	No disponible	Sí

**NOTA:** Los juegos descritos anteriormente son materiales opcionales para el sistema de escape, disponibles a un costo adicional.



## Requisitos de aire de reemplazo

Cada una de las secadoras deja escapar 214 pies cúbicos por minuto (medidos en la parte posterior de la secadora) y es necesario proporcionar suficiente aire de reemplazo para reemplazar el aire de escape de cada una de las secadoras.

Se **DEBE** contar con una abertura sin obstrucciones de por lo menos 260 cm<sup>2</sup> (40 pulgadas cuadradas) de aire de reemplazo proveniente del exterior a **cada** una de las secadoras. Los reguladores de tiro (persianas) de protección en cada abertura al exterior pueden reducir la circulación de aire en aproximadamente un 35 a 40 por ciento. Asegúrese de que cada abertura sea lo suficientemente grande para compensar el efecto de los reguladores de tiro (persianas).

Si fuera necesario enviar por tubería el aire de reemplazo a la unidad de secadoras, aumente el área de los conductos en un 25% para compensar por la disminución en circulación de aire. Además, el conducto de aire de reemplazo debe extenderse hacia abajo a aproximadamente menos de dos pies del piso, directamente atrás de la unidad de secadoras.

## Sistema de escape

**IMPORTANTE:** Mantenga cada conducto de escape lo más corto que sea posible.

**NOTA:** Asegúrese de limpiar los conductos viejos antes de instalar su unidad de secadoras.

La longitud máxima recomendada del sistema de escape para obtener los mejores resultados de secado es la que se indica a continuación.

Para evitar que se produzca un tiro invertido cuando las secadoras no están funcionando, el extremo exterior de cada tubería de escape debe tener una campana de protección contra la intemperie con reguladores de tiro (persianas) en bisagras (obtenga esta pieza localmente).

**NOTA:** Las campanas de protección contra la intemperie deben ser instaladas por lo menos 30.5 cm (12 pulgadas) sobre el nivel del suelo. En instalaciones donde puedan ocurrir fuertes nevadas, esta distancia debe ser mayor.

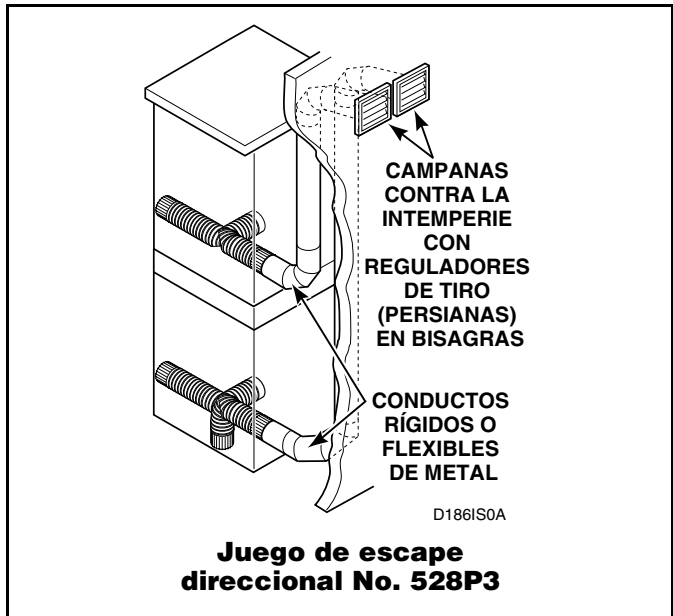
## Dirección del escape

El escape de cada una de las secadoras puede dirigirse al exterior por la parte posterior, izquierda, derecha o inferior

de las secadoras. **EXCEPCIÓN:** El escape de las secadoras a gas no puede ser enviado hacia la izquierda debido a la ubicación de la caja del quemador.

La unidad de secadoras se envía desde la fábrica lista para descargar el escape hacia atrás; **no es necesario utilizar ningún juego adicional de piezas.**

El escape de las secadoras por los lados o la parte inferior (sólo la secadora inferior) se puede lograr instalando un Juego Direccional del Escape No. 528P3, disponible como equipo opcional a un costo adicional.




Número de codos de 90°	Tipo de campanas contra la intemperie	
	Recomendados	Use sólo para instalaciones cortas
	<p>10.2 cm (4 plg) D011IS2B</p>	<p>6.35 cm (2-1/2 plg) D011IS2C</p>
<b>Longitud máxima de un conducto rígido de metal con diámetro de 10.2 cm (4 plg)</b>		
0	13.4 m (44 feet)	10.4 m (34 feet)
1	10.4 m (34 feet)	7.9 m (26 feet)
2	7.9 m (26 feet)	6.1 m (20 feet)
3	6.1 m (20 feet)	4.3 m (14 feet)
<b>Longitud máxima de un conducto flexible de metal con diámetro de 10.2 cm (4 plg)</b>		
0	7.3 m (24 feet)	6.1 m (20 feet)
1	6.1 m (20 feet)	4.9 m (16 feet)
2	4.9 m (16 feet)	3.7 m (12 feet)
3	3.7 m (12 feet)	2.4 m (8 feet)

**NOTA:** Reste 1.8 m (6 pies) por cada codo adicional.

## Mantenimiento del sistema de escape

El interior y todo el sistema de escape de la unidad de secadoras debe ser revisado después de un año de uso y limpiado de ser necesario. Revise y limpie el conducto de escape cada uno o dos años según se requiera de ahí en adelante. Las campanas de protección contra la intemperie deben ser revisadas con frecuencia para asegurarse de que los reguladores de tiro (persianas) se muevan sin restricciones, de que los reguladores de tiro no estén empujados hacia dentro y de que no se haya colocado nada contra ellos. Este trabajo de mantenimiento debe ser realizado por técnicos de servicio calificados.

	<b>ADVERTENCIA</b>
<b>Para reducir el riesgo de recibir una descarga eléctrica, desconecte la corriente eléctrica antes de limpiar las secadoras.</b>	
W043S	

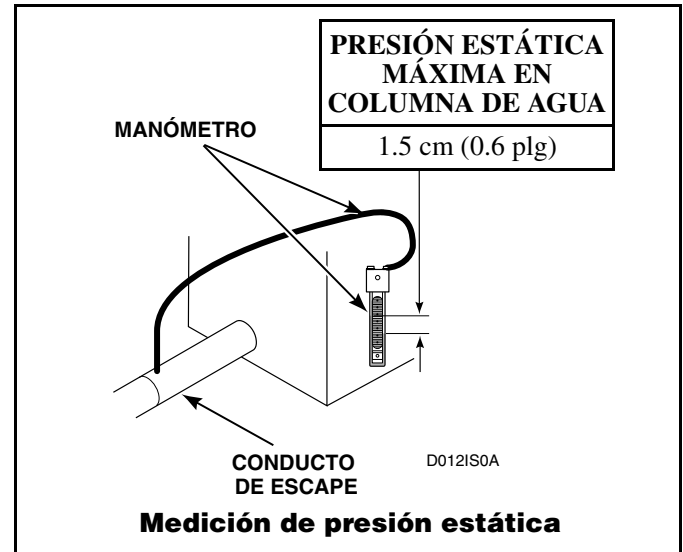
Se puede dirigir el escape de las secadoras en lugares inaccesibles por medio del Juego de Ventilación Flexible de Metal No. 521P3, disponible como equipo opcional a un costo adicional. El juego viene en dos partes que se pueden instalar por separado a la unidad de secadoras, la salida en la pared y entre sí. Una vez que el juego está colocado, la unidad de secadoras puede empujarse de nuevo a su lugar.

## Flujo de aire de la secadora

El funcionamiento eficiente de la unidad de secadoras requiere de una circulación adecuada de aire a las secadoras. El flujo adecuado de aire a la unidad de secadoras puede ser evaluado midiendo la presión estática.

La presión estática en los conductos de escape de la unidad de secadoras no debe ser mayor que la que se indica en la siguiente tabla. (Revise cuando las secadoras estén funcionando y no tengan carga de ropa.)

**NOTA:** Esto puede medirse con un manómetro colocado en cada conducto de escape aproximadamente a 61 cm (2 pies) de la unidad de secadoras, vea la siguiente ilustración.



**IMPORTANTE:** NO bloquee el flujo de aire en la parte inferior del panel delantero de las secadoras con ropa, alfombras, etc. Estos artículos pueden disminuir el flujo de aire en las secadoras reduciendo así la eficiencia de las mismas.

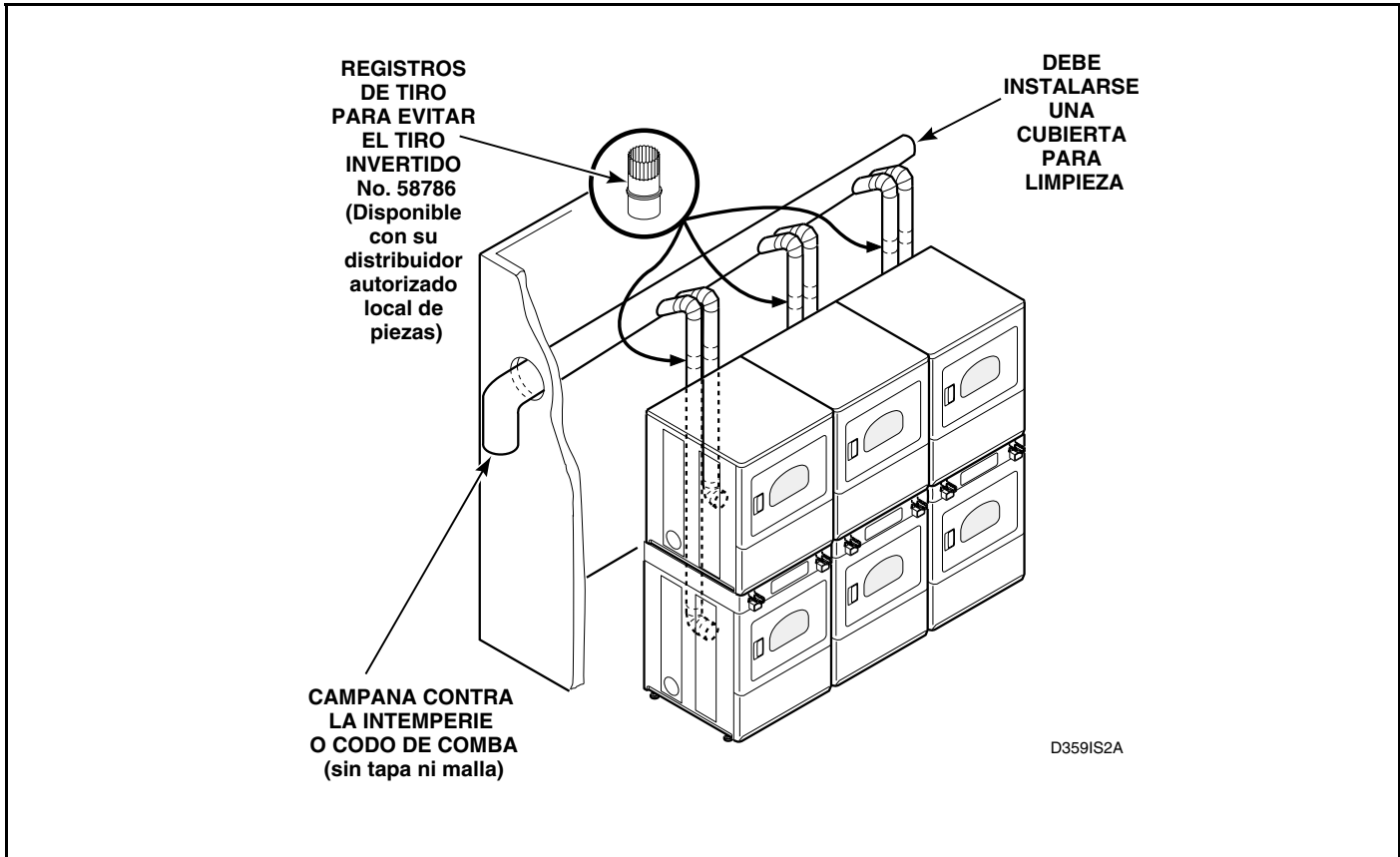
## Codo para lugares restringidos

Se puede instalar la unidad de secadoras en lugares angostos utilizando codos, pieza No. 62688, que son 2.54 cm (1 pulgada) más angostos que los codos normales de ventilación.



# Requisitos para el escape de instalaciones múltiples de secadoras . . .

- La siguiente ilustración muestra un ejemplo típico de una instalación múltiple de unidad de secadoras. Fíjese cómo cada una de las secadoras cuenta con su propio sistema de escape con salida al conducto central de escape.



**IMPORTANTE:** La presión estática en el conducto de escape de cada una de las secadoras no debe ser mayor que la que se indica en la tabla de la página 68. Ésta puede medirse con un manómetro colocado en el conducto de escape aproximadamente a 61 cm (2 pies) de la secadora. Vea la página 68. Todas las secadoras conectadas al conducto colector principal deben estar funcionando al medir la presión.

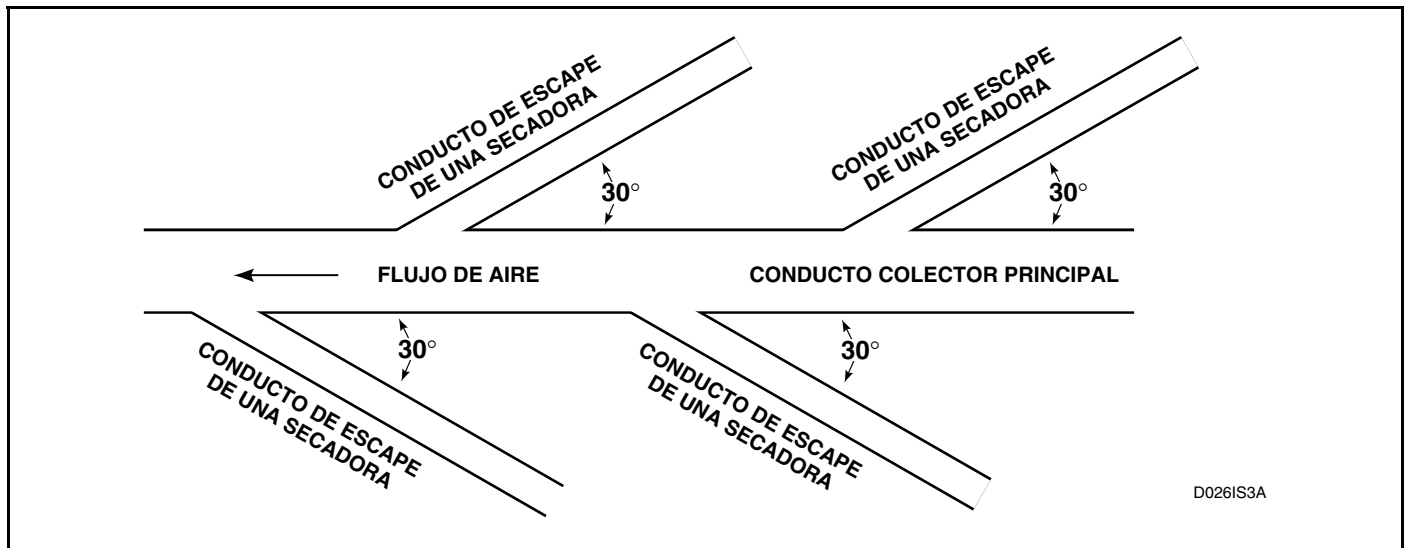
Al instalar el sistema de escape no se elimina la necesidad de limpiar el filtro de pelusa de las secadoras antes de poner cada carga en ellas. El interior de las secadoras y todo el sistema de escape debe ser limpiado periódicamente por un técnico de servicio para eliminar cualquier acumulación de pelusa.

	<h2>ADVERTENCIA</h2> <p>Para reducir el riesgo de recibir una descarga eléctrica, desconecte la corriente eléctrica antes de limpiar las secadoras.</p> <p>W043S</p>
--	--

**IMPORTANTE:** NO bloquee el flujo de aire en la parte inferior del panel delantero de las secadoras con ropa, alfombras, etc. Estos artículos pueden disminuir el flujo de aire en las secadoras reduciendo así su eficiencia.



- El conducto de escape de cada una de las secadoras debe entrar al conducto principal a un ángulo no mayor de 30° apuntando en la dirección del flujo de aire. Los conductos que entran al conducto principal en lados opuestos deben estar escalonados, de tal forma que no se opongan entre sí. Vea la siguiente ilustración.
- Se deben tomar medidas para eliminar periódicamente la acumulación de pelusa y para limpiar el conducto colector principal.




- El extremo exterior del conducto principal debe tener una campana contra la intemperie (con reguladores de tiro en bisagras) instalada para evitar el paso de elementos, insectos, polvo y desperdicios a las unidades de secadoras.
- Si no se puede usar una campana contra la intemperie, el extremo exterior del conducto principal debe tener instalado un codo de comba, dirigido hacia abajo como se muestra en la siguiente página. Si el conducto principal pasa verticalmente a través de un techo, en vez de a través de una pared, instale un codo de comba de 180° en el extremo del conducto con salida por lo menos 61 cm (2 pies) sobre la parte más alta de la construcción.
- Debe permitirse la entrada de suficiente aire de reemplazo para reemplazar el aire consumido por la combustión de las secadoras.

**NOTA: El lugar en que el conducto de escape entra en la pared o el techo debe hacerse un orificio 10.2 cm (4 plg) más grande que el conducto de escape, y este conducto de escape debe quedar centrado dentro de la abertura.**

- Debe instalarse un registro de tiro, pieza No. 58786, en el sistema de escape de cada una de las secadoras. Esto evita que se produzca un tiro invertido cuando las secadoras no estén siendo usadas, y mantendrá el aire de escape balanceado con el sistema de escape central.

**IMPORTANTE: Se deben tomar medidas para contar con aire de reemplazo.**

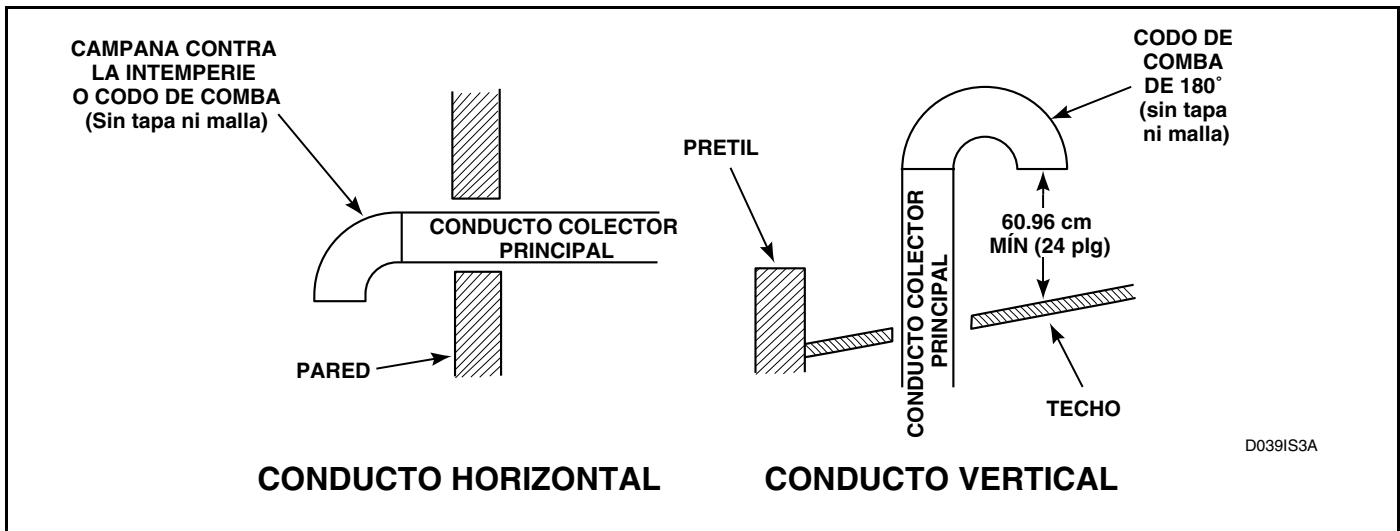
**IMPORTANTE: Si varias secadoras tienen su escape hacia un conducto colector principal, es necesario que los conductos sean del tamaño adecuado y construidos para permitir un funcionamiento eficiente.**



## ADVERTENCIA

**Para reducir el riesgo de ocasionar un incendio y la acumulación de gases, NO deje escapar el aire de la secadora hacia un pozo de ventana, un conducto de ventilación de gas, una chimenea, o un área cerrada, mal ventilada, tal como un desván, una pared, el techo, el sótano bajo el edificio o algún lugar cerrado de un edificio.**

W045S



- El conducto colector principal debe ser dimensionado de acuerdo a las siguientes especificaciones.

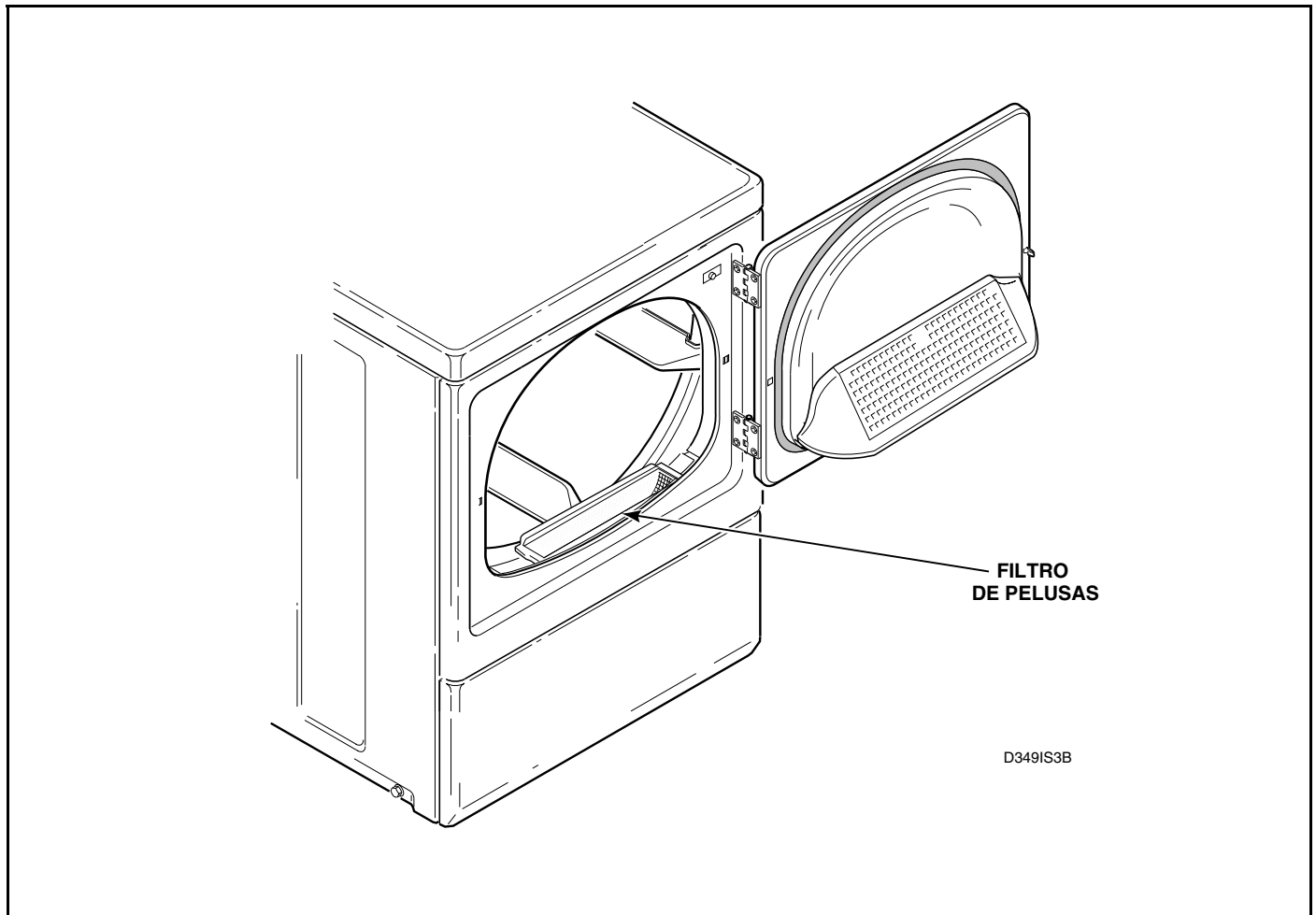
Número de secadoras	Diámetro mínimo de un conducto colector horizontal	Diámetro mínimo de un conducto colector vertical
1 conjunto apilado	17.8 cm (7 plg)	20.3 cm (8 plg)
1 conjunto apilado	20.3 cm (8 plg)	22.9 cm (9 plg)
2 conjuntos apilados	22.9 cm (9 plg)	25.4 cm (10 plg)
2 conjuntos apilados	25.4 cm (10 plg)	27.9 cm (11 plg)
3 conjuntos apilados	27.9 cm (11 plg)	30.5 cm (12 plg)
3 conjuntos apilados	30.5 cm (12 plg)	32.6 cm (13 plg)
4 conjuntos apilados	30.5 cm (12 plg)	35.6 cm (14 plg)
4 conjuntos apilados	32.6 cm (13 plg)	38.1 cm (15 plg)
5 conjuntos apilados	35.6 cm (14 plg)	38.1 cm (15 plg)
5 conjuntos apilados	35.6 cm (14 plg)	40.6 cm (16 plg)

**NOTA:** El conducto colector principal debe estar equipado con un ventilador auxiliar que pueda mantener el flujo de aire en el conducto a un mínimo de 366 m (1200 pies) por minuto. Si no cuenta con un ventilador, limpie el conducto colector principal por lo menos dos veces al año.

## Filtro de pelusa . . .

LIMPIE EL FILTRO DE PELUSA ANTES DE SECAR CADA CARGA. (Consulte la siguiente ilustración para ver dónde está el filtro de pelusa.) Es importante limpiar el filtro de pelusa ya que cualquier acumulación de pelusa en el filtro puede bloquear el flujo de aire a través de las

secadoras, reduciendo así la eficacia de las mismas. La ropa se tarda más en secar y se desperdicia mucha energía.



## Protector de sobrecarga del motor . . .

El protector de sobrecarga del motor detiene el funcionamiento del motor y cierra la fuente de calor automáticamente en caso de una sobrecarga. Después de que se enfría, el protector de sobrecarga se restablece a sí mismo. La secadora puede volverse a arrancar oprimiendo

el botón OPRIMIR PARA ARRANCAR (PUSH-TO-START). Si el protector de sobrecarga vuelve a activarse, no vuelva a usar la secadora y llame al técnico de servicio para corregir el problema.

# Instrucciones de mantenimiento para el usuario . . .

## Lubricación

Todas las partes móviles están selladas en un suministro permanente de lubricante o están equipadas con rodamientos que no requieren aceite. No es necesario lubricar más.

## Cuidados a sus secadoras

Limpie el filtro de pelusa antes de secar cada carga de ropa. Puede lavar este filtro de pelusa si llegara a ser necesario. Saque ocasionalmente el filtro de pelusa y limpie el área que está abajo con una aspiradora.

Normalmente, el tambor de la secadora no necesita cuidados especiales.

Limpie el gabinete de cada secadora según sea necesario. Si se ha derramado detergente, blanqueador o cualquier otro producto de limpieza sobre la unidad de secadoras, limpie de inmediato. Algunos productos pueden causar daños permanentes si se derraman sobre el gabinete.

No apoye objetos afilados o ásperos contra la unidad de secadoras. El terminado puede dañarse.

Use solamente una tela húmeda o remojada en solución para limpiar el tablero de control. Ciertos productos para rociar la ropa antes de lavarla pueden dañar el terminado del tablero de control.

**NOTA: El diagrama de cableado está ubicado dentro del tablero de control.**



## PRECAUCIÓN

**Marque todos los cables antes de desconectarlos al dar servicio a los controles. Los errores de cableado pueden causar un funcionamiento incorrecto y peligroso.**

W049S

## Sistema de escape

Es necesario que un técnico de servicio revise los conductos de escape después de un año de uso y que los limpie de ser necesario para eliminar cualquier acumulación de pelusa. Revise y limpie los conductos de escape cada uno o dos años según se requiera de ahí en adelante.

Las campanas contra la intemperie deben ser revisadas con frecuencia para asegurarse de que los reguladores de tiro (persianas) se muevan sin restricciones, de que los reguladores de tiro no estén empujados hacia dentro y de que no se haya colocado nada contra ellos.

Mantenga limpia el área de las secadoras y sin materiales combustibles, gasolina u otros vapores y líquidos inflamables.

No obstruya el flujo de aire de combustión y de ventilación.

**NOTA: Verifique que la secadora funcione correctamente después de darle servicio.**

## Para conservar energía . . .

- Asegúrese de que el filtro de pelusa de cada secadora siempre esté limpio.
- No sobrecargue ninguna de las secadoras.
- No seque demasiado la ropa.
- Saque las prendas que deban ser planchadas cuando todavía estén húmedas.
- Cargas grandes de tela del mismo tipo se secan más eficientemente. Sin embargo, seque tela del tipo de planchado permanente en cargas más pequeñas para evitar que se arrugue.
- Use la temperatura correcta en el SELECTOR DE TELAS (FABRIC SELECTOR) para el tipo de tela que esté siendo secada.
- Coloque su unidad de secadoras de tal forma que los conductos de escape sean lo más cortos y rectos que sea posible.
- No abra la puerta durante el ciclo de secado.
- Planee secar su ropa en días de baja humedad; su ropa se secará más rápidamente.
- Si planea secar varias cargas de ropa, séquelas una tras otra. Así no deberá volver a calentar el interior de la secadora cada vez.

# Antes de llamar para solicitar servicio de reparación . . .

**Puede ahorrar tiempo y dinero revisando lo siguiente:**

**•Si su secadora:**

No arranca	No calienta	No seca la ropa satisfactoriamente	Posible razón — Haga esto para corregir el problema
•			Modelos para operar con monedas — Deposite monedas o introduzca una tarjeta.
•	•		Modelos para operar sin monedas — Gire la perilla del regulador de tiempo para aumentar el tiempo de secado.
•			Asegúrese de que el cable de corriente esté bien conectado en el tomacorriente.
•			Cierre la puerta del tambor de secado.
	•		Asegúrese de que los controles estén en la posición de CALOR (HEAT).
•	•		Modelos para operar con monedas — Active el acumulador de tiempo. Empuje el deslizador de monedas totalmente hacia dentro.
•			Oprima el botón OPRIMIR PARA ARRANCAR (PUSH-TO-START).
•	•		¿Se ha quemado o aflojado algún fusible, o está apagado el interruptor de circuito? <b>La unidad de secadoras en sí NO cuenta con un fusible eléctrico.</b>
•			¿Se ha activado el protector de sobrecarga del motor? Espere 10 minutos y vuelva a intentar.
	•		Sólo para secadoras a gas — Revise para ver si la válvula de gas en las secadoras (detrás del panel delantero inferior) y la válvula principal de las líneas de gas están abiertas.
		•	Limpie el filtro de pelusa de cada una de las secadoras.
	•	•	Revise los conductos de escape al exterior para ver si están bloqueados, retorcidos, o si necesitan limpieza.
	•	•	Revise las campanas contra la intemperie para asegurarse de que los reguladores de tiro (persianas) se muevan sin restricciones, no estén empujados hacia dentro y de que no estén bloqueados.
		•	¿Es la carga de prendas muy pequeña? Las cargas pequeñas no dan tumbos correctamente y no se secan de manera uniforme.

# Instrucciones de uso para secadoras electromecánicas . . .

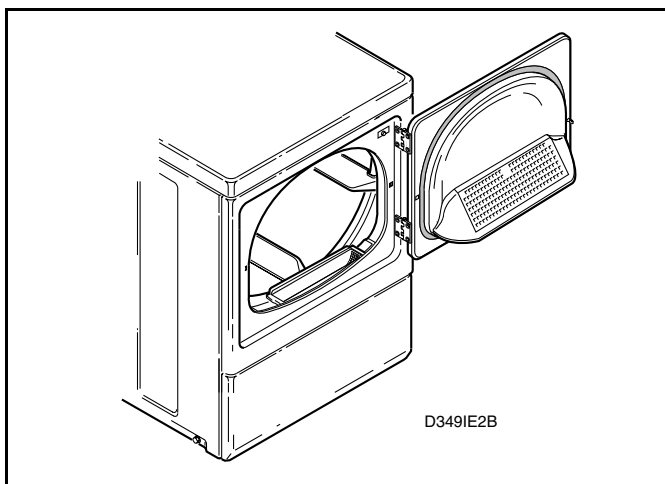
(Modelos para operar con monedas y  
modelos para operar sin monedas)

**IMPORTANTE:** Antes de usar la unidad de secadoras por primera vez, use un limpiador para propósitos generales o una solución de detergente y agua y una tela húmeda para eliminar el polvo que se acumula durante el envío en el interior del tambor de cada una de las secadoras.

## PASO 1:

### Limpié el filtro de pelusa.

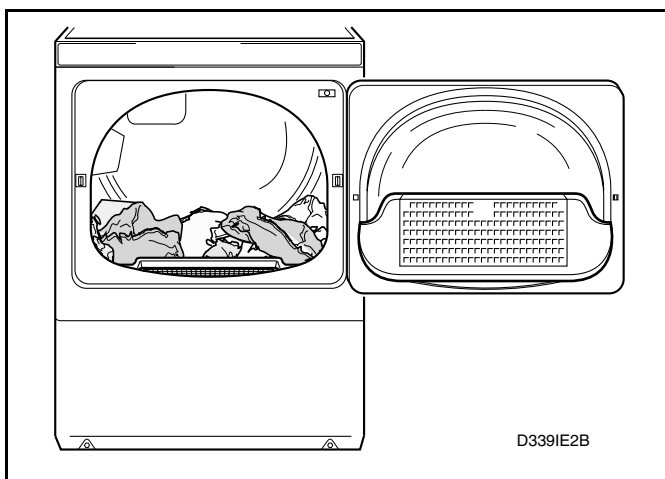
Limpié el filtro de pelusa antes de cada uso.



## PASO 2:

### Meta la ropa.

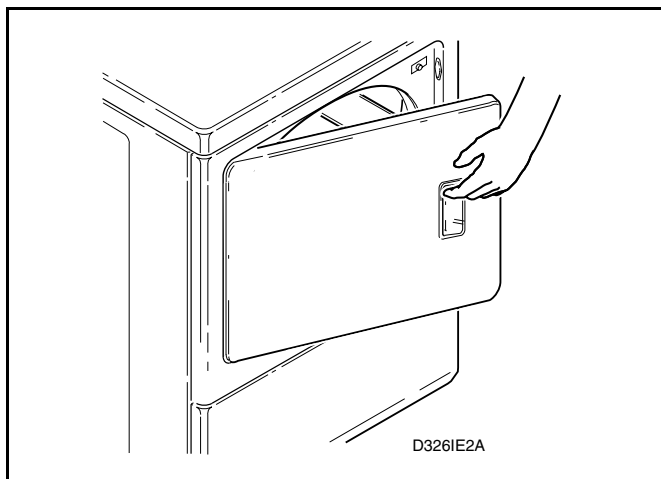
Meta la ropa en el tambor de la secadora. Meta también una hoja de suavizador, si así lo desea.



## PASO 3:

### Cierre la puerta del tambor.

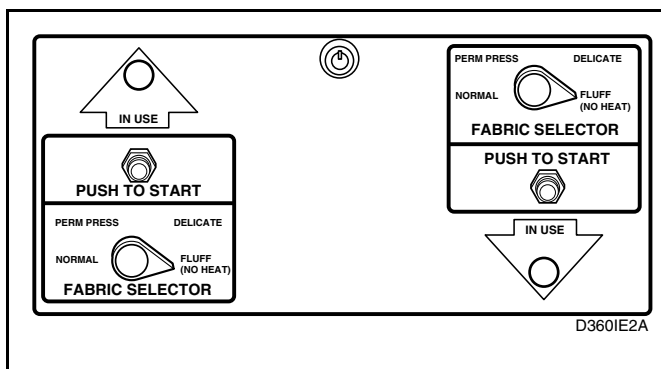
Cierre la puerta del tambor. La secadora no funciona con la puerta abierta.



## PASO 4:

### Seleccione la secadora.

La dirección de la flecha indica qué secadora está siendo usada.

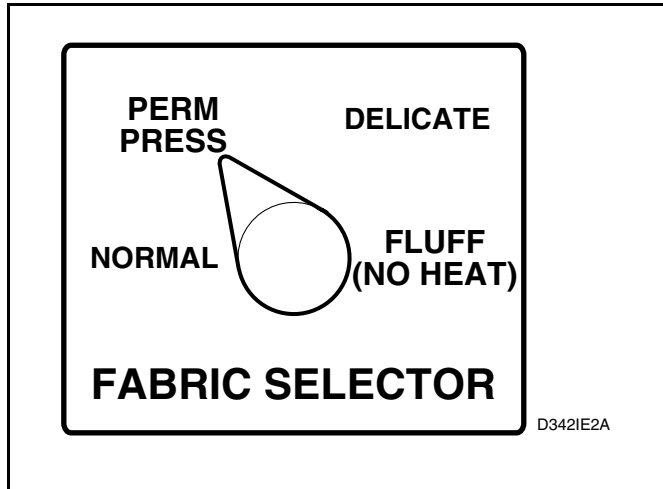


## PASO 5:

### Ajuste el selector de tela.

Seleccione **NORMAL** para algodones, **PERMANENT PRESS (PLANCHADO PERMANENTE)** para ropa con planchado permanente, **DELICATE (PRENDAS DELICADAS)** para prendas delicadas o **FLUFF (NO HEAT) (EN FRÍO)** para artículos que no requieren calor.

**Siempre siga las indicaciones de cuidado de los fabricantes que aparecen en las etiquetas de las prendas.**

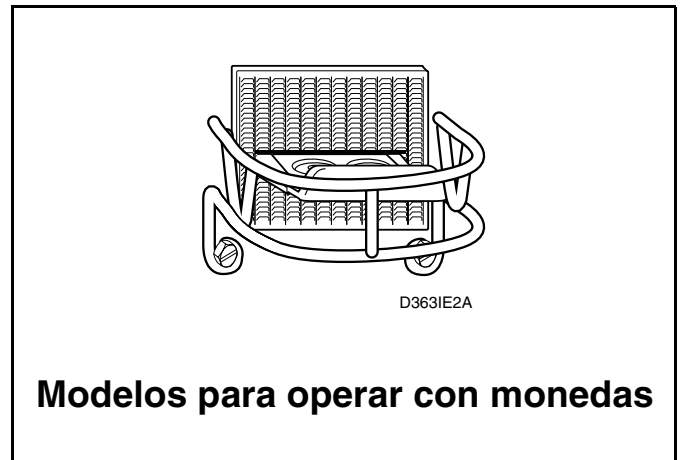


## PASO 6:

### Arranque la secadora.

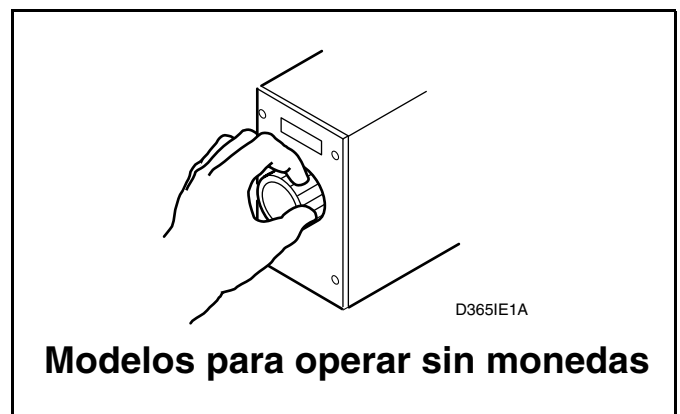
#### MODELOS PARA OPERAR CON MONEDAS:

Coloque las monedas en el deslizador, empujelo con cuidado lo más posible y luego tire de él hacia fuera lo más posible. Una vez que la luz indicadora de funcionamiento (**IN USE**) se ilumina (lo que indica del ciclo), oprima el botón de **OPRIMIR PARA ARRANCAR (PUSH-TO-START)**.



#### MODELOS PARA OPERAR SIN MONEDAS:

Gire la perilla de tiempo al ajuste de tiempo deseado (hasta 60 minutos). Una vez que la luz indicadora de funcionamiento (**IN USE**) se ilumine (lo que indica el inicio de ciclo), oprima el botón de **OPRIMIR PARA ARRANCAR (PUSH-TO-START)**.



Saque las prendas tejidas cuando estén ligeramente húmedas, ya que si se secan demasiado pueden encogerse. No meta en la secadora prendas de tejidos de lana.

Si la secadora llegara a detenerse antes de que se termine un ciclo, es posible que se deba a que el protector de sobrecarga se haya activado. Vea la página 72.

# Instrucciones de uso para secadoras con controles electrónicos . . .

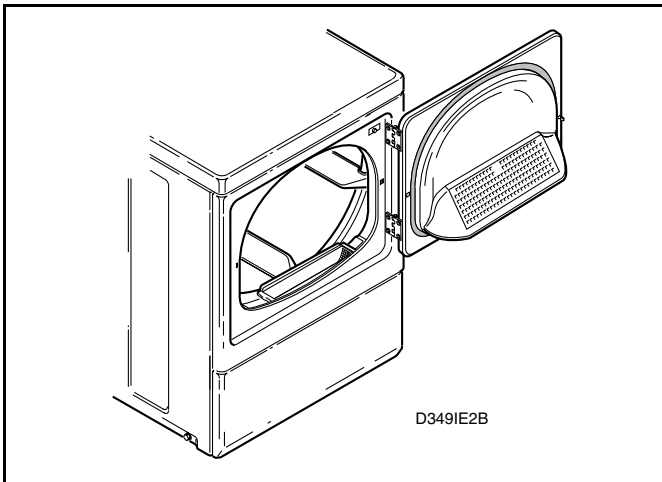
(Modelos para operar con monedas y modelos para operar sin monedas)

**IMPORTANTE:** Antes de usar la unidad de secadoras por primera vez, use un limpiador para propósitos generales o una solución de detergente y agua y una tela húmeda para eliminar el polvo que se acumula durante el envío en el interior del tambor de cada una de las secadoras.

## PASO 1:

**Limpié el filtro de pelusa.**

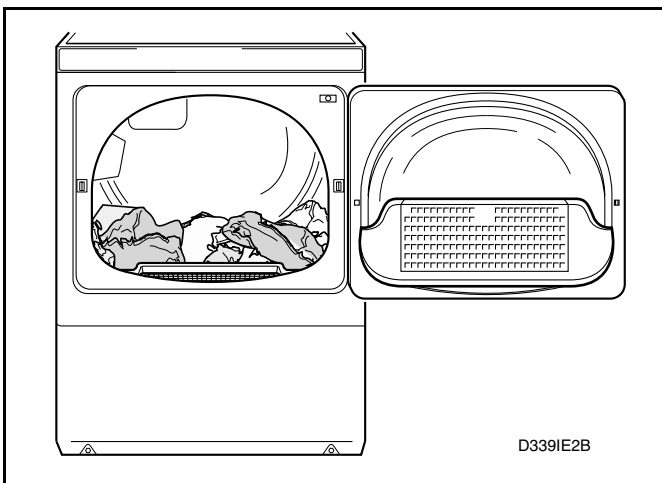
Limpié el filtro de pelusa antes de cada uso.



## PASO 2:

**Meta la ropa.**

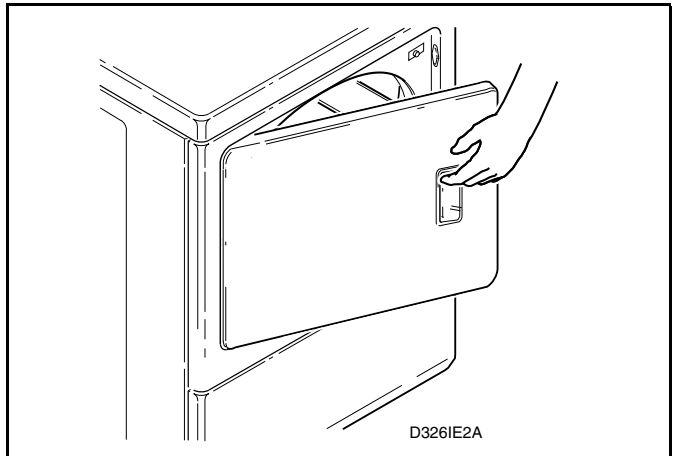
Meta la ropa en el tambor de la secadora. Meta también una hoja de suavizador, si así lo desea.



## PASO 3:

**Cierre la puerta del tambor.**

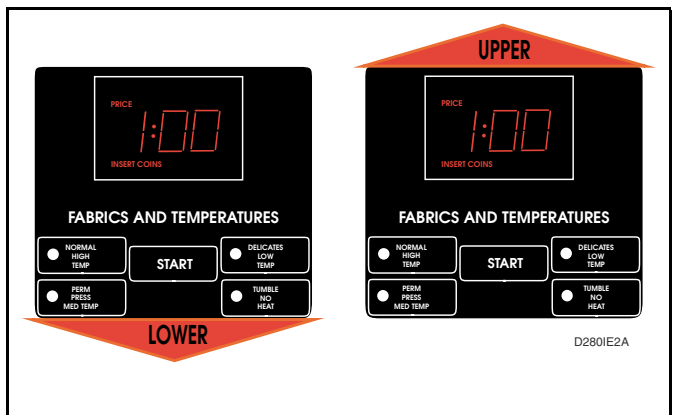
Cierre la puerta del tambor. La secadora no funciona con la puerta abierta.



## PASO 4:

**Seleccione la secadora.**

La dirección de la flecha indica qué secadora está siendo usada.



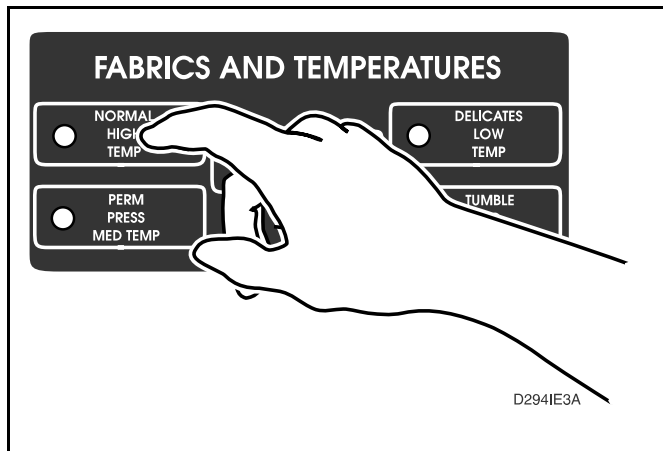


## PASO 5:

### Ajuste el selector de tela.

Seleccione, tocando el teclado táctil, **NORMAL HIGH TEMP (NORMAL ALTA TEMPERATURA)** para algodones, **PERM PRESS MED TEMP (PLANCHADO PERMANENTE TEMPERATURA MEDIA)** para ropa con planchado permanente, **DELICATES LOW TEMP (PRENDAS DELICADAS BAJA TEMPERATURA)** para prendas delicadas, o **TUMBLE NO HEAT (TUMBOS EN FRÍO)** para artículos que no requieren calor.

Siempre siga las indicaciones de cuidado de los fabricantes que aparecen en las etiquetas de las prendas.



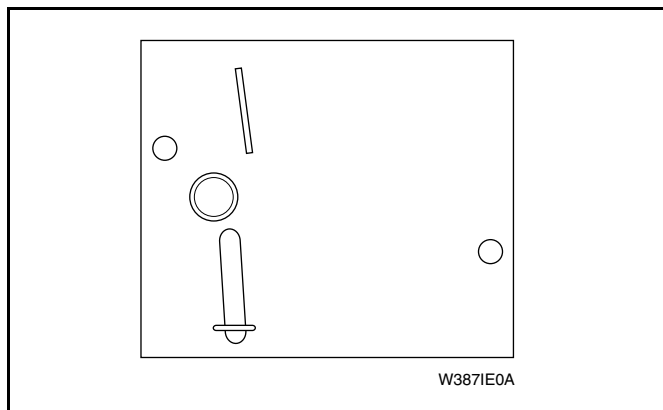
## PASO 6:

### Deposite las monedas o introduzca la tarjeta.

#### Para depositar monedas:

Deposite monedas en la ranura para monedas. Revise el precio en el indicador digital.

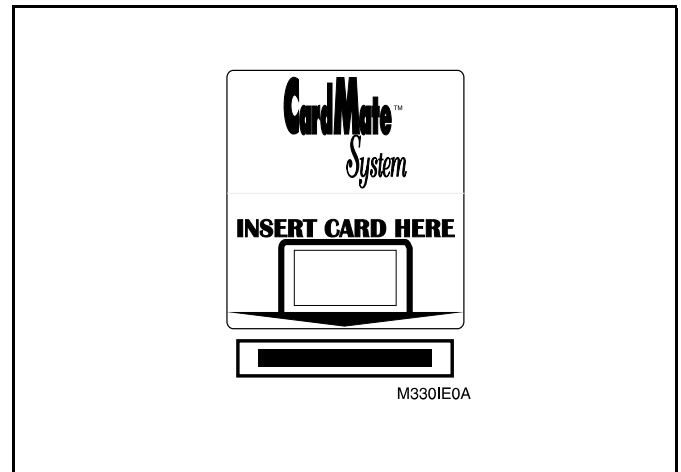
Si la característica de tiempo adicional está activada, es posible adquirir tiempo adicional de secado al principio del ciclo o durante el periodo de secado.



### Para introducir la tarjeta:

Introduzca la tarjeta en la ranura. Siga las instrucciones en el indicador. **NO SAQUE LA TARJETA HASTA QUE EN EL INDICADOR APAREZCA: "Remove card"** ("Saque la tarjeta").

Saque las prendas tejidas cuando estén ligeramente húmedas ya que si se secan demasiado pueden encogerse. No meta en la secadora prendas de tejidos de lana.



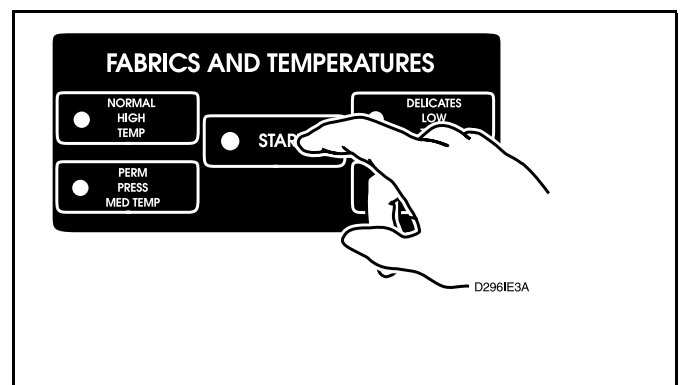
## PASO 7:

### Arranque la secadora.

Para arrancar la secadora, toque el botón de START (ARRANCAR).

Para parar la secadora en cualquier momento, abra la puerta. Para volverla a arrancar, cierre la puerta y toque el botón de START (ARRANCAR).

El ciclo termina cuando el tiempo restante llega a 00 minutos.



## Luces indicadoras

### **INSERT COINS (DEPOSITE MONEDAS)**

Esta luz se ilumina para indicar al usuario que debe depositar monedas para satisfacer el precio del ciclo seleccionado. Cuando se ilumine este indicador *INSERT COINS (DEPOSITE MONEDAS)* los tres números y el punto decimal indican el dinero que falta introducir.

### **PUSH START (OPRIMA PARA ARRANCAR)**

Esta luz se ilumina siempre que la secadora no se encuentre en un ciclo, cuando se haya introducido el dinero necesario y la puerta de la secadora esté cerrada. Al tocar el botón **START (ARRANCAR)**, el ciclo comienza o vuelve a arrancar. Las palabras *PUSH START (OPRIMA PARA ARRANCAR)* se enciende y se apaga en intervalos de un segundo al activarse.

### **DRYING (SECANDO)**

Esta luz se ilumina para indicar que alguno de los ciclos de temperatura (**HIGH TEMP [ALTA TEMPERATURA]**, **MED TEMP [TEMPERATURA MEDIA]**, **LOW TEMP [BAJA TEMPERATURA]**) está funcionando. La luz de estado *DRYING (SECANDO)* se apaga al final del ciclo de calentamiento o cuando comienza el ciclo de **COOL DOWN (ENFRIAMIENTO)**.

### **DOOR OPEN (PUERTA ABIERTA)**

Esta luz se ilumina y se enciende y se apaga a intervalos de 1 segundo siempre que la puerta está abierta.

### **COOL DOWN (ENFRIAMIENTO)**

Esta luz se ilumina siempre que se activa la parte de enfriamiento del ciclo de secado. También se ilumina cuando está funcionando el ciclo **EN FRÍO (NO HEAT)**.

### **PRICE (PRECIO)**

Esta luz se ilumina para indicar que falta introducir el valor indicado. Una vez que se haya depositado todo el precio indicado, se apaga la palabra *PRICE (PRECIO)*.

### **TIME REMAINING (TIEMPO RESTANTE)**

Esta luz se ilumina para indicar que el tiempo indicado con dos números y dos puntos es el tiempo que sobra (en minutos) del ciclo de secado activo. Los dos puntos se encienden y se apagan intermitentemente a intervalos de un segundo y el tiempo continuamente disminuye en el ciclo activo.

Si la secadora llegara a apagarse antes de que el ciclo hubiera terminado, es posible que se haya activado el protector de sobrecarga del motor. Consulte la página 72.

# Información de referencia . . .

Alliance Laundry Systems LLC  
Shepard Street  
P.O. Box 990  
Ripon, WI 54971-0990 U.S.A.

Fecha de compra \_\_\_\_\_

Número de modelo \_\_\_\_\_ Número de serie \_\_\_\_\_

Nombre del distribuidor \_\_\_\_\_

Dirección del distribuidor \_\_\_\_\_ Teléfono \_\_\_\_\_

Agencia de servicio \_\_\_\_\_

Dirección de la agencia de servicio \_\_\_\_\_ Teléfono \_\_\_\_\_

**NOTA: Registre la información anterior y guarde su recibo de compra. Los números de modelo y de serie aparecen en la placa.**









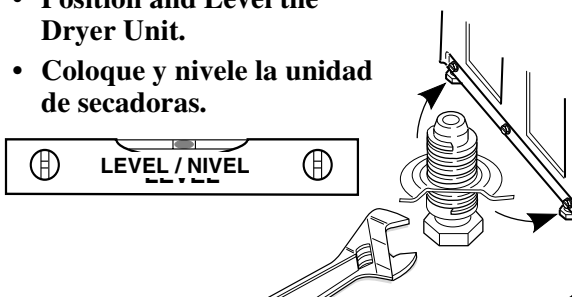
# Installer Check . . . Revisión de la instalación . . .

## Fast Track for Installing the Dryer Instalación rápida de la secadora

(Refer to the manual for more detailed information)  
(Consulte el manual para obtener información detallada.)

**1**

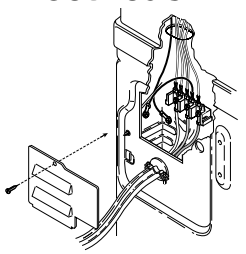
- Position and Level the Dryer Unit.
- Coloque y nivele la unidad de secadoras.



CHECK  
REVISADO

**4** - Electric Only  
Sólo Secadoras Eléctricas

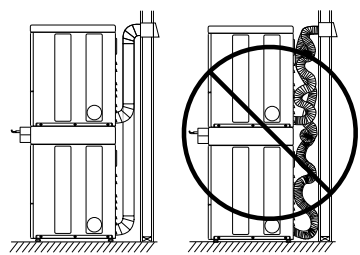
- Connect Electrical Cords.
- Conecte el cable de corriente eléctrica a cada una de las secadoras.



CHECK  
REVISADO

**2**

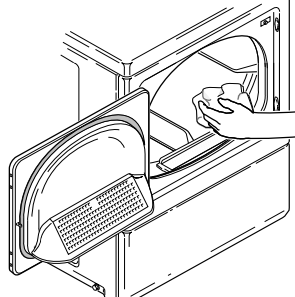
- Connect Each Dryer Exhaust System.
- Conecte el sistema de escape de cada una de las secadoras.



CHECK  
REVISADO

**5**

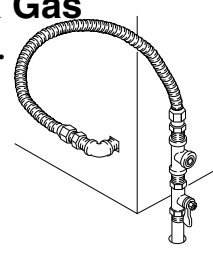
- Wipe Out Inside of Each Dryer.
- Limpie el interior de cada una de las secadoras.



CHECK  
REVISADO

**3** - Gas Only  
Sólo Secadoras a Gas

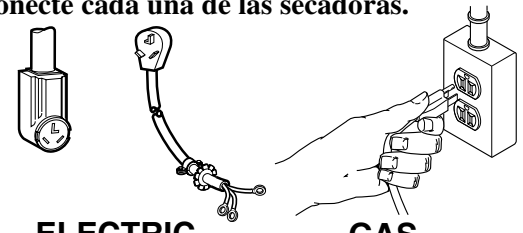
- Connect Gas Supply Pipe.
- Check for Gas Leaks.
- Conecte la línea de suministro de gas a cada una de las secadoras.
- Revise que no haya fugas de gas.



CHECK  
REVISADO

**6**

- Plug in Each Dryer.
- Conecte cada una de las secadoras.



CHECK  
REVISADO



## Free Manuals Download Website

<http://myh66.com>

<http://usermanuals.us>

<http://www.somanuals.com>

<http://www.4manuals.cc>

<http://www.manual-lib.com>

<http://www.404manual.com>

<http://www.luxmanual.com>

<http://aubethermostatmanual.com>

Golf course search by state

<http://golfingnear.com>

Email search by domain

<http://emailbydomain.com>

Auto manuals search

<http://auto.somanuals.com>

TV manuals search

<http://tv.somanuals.com>