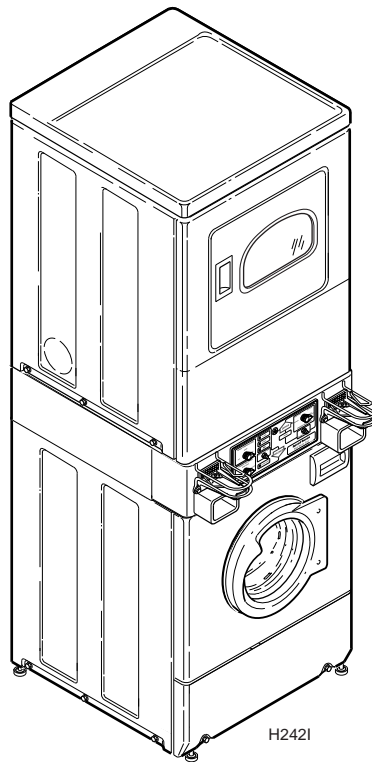


# Stacked Washer and Dryer

Metered  
Electric and Gas Models



**NOTA: El manual en español aparece después del manual en inglés.**



Part No. 504509R7  
October 1999



KEEP THESE INSTRUCTIONS FOR FUTURE REFERENCE. (If the unit changes ownership, be sure this manual accompanies the unit.)



## WARNING

**FOR YOUR SAFETY, the information in this manual must be followed to minimize the risk of fire or explosion or to prevent property damage, personal injury or death.** W033

- Do not store or use gasoline or other flammable vapors and liquids in the vicinity of this or any other appliance.
- **WHAT TO DO IF YOU SMELL GAS:**
  - Do not try to light any appliance.
  - Do not touch any electrical switch; do not use any phone in your building.
  - Clear the room, building or area of all occupants.
  - Immediately call your gas supplier from a neighbor's phone. Follow the gas supplier's instructions.
  - If you cannot reach your gas supplier, call the fire department.
- Installation and service must be performed by a qualified installer, service agency or the gas supplier. W052

**IMPORTANT: Purchaser must consult the local gas supplier for suggested instructions to be followed if the unit user smells gas. The gas utility instructions plus the SAFETY and WARNING note directly above must be posted in a prominent location near the unit for customer use.**

## FOR YOUR SAFETY

**Do not store or use gasoline or other flammable vapors and liquids in the vicinity of this or any other appliance.** W053

# Table of Contents

Replacement Parts .....	2
Important Safety Instructions.....	3
Roughing In Dimensions .....	5
Additional Security .....	6
Washer Slide Extension .....	6
Dryer Slide Extension .....	7
Timer Cams .....	7
Coin Slide Guards .....	7
Before You Start .....	8
<b>Installing the Unit</b>	
Step 1: Position Unit Near Installation Area .....	9
Step 2: Connect Water Inlet Hoses .....	9
Step 3: Connect Drain Hose to Drain Receptacle .....	10
Step 4: Connect Gas Supply Pipe.....	11
Step 5: Connect Electrical Plug.....	12
Step 6: Connect Dryer Exhaust System.....	13
Step 7: Remove the Shock Sleeves and Shipping Brace .....	13
Step 8: Position and Level the Unit .....	14
Step 9: Wipe Out Inside of Washer Drum and Dryer Drum.....	15
Step 10: Plug In the Washer and Dryer .....	15
Step 11: Check Installation.....	15
<b>Moving Unit to a New Location</b> .....	16
<b>Heat Source Check</b> .....	17
<b>Water Supply Requirements</b> .....	18
<b>Washer Electrical Requirements</b> .....	19
<b>Electric Dryer Electrical Requirements</b> .....	20
<b>Gas Dryer Electrical Requirements</b> .....	25
<b>Gas Requirements</b> .....	27
<b>Location Requirements</b> .....	28
<b>Dryer Exhaust Requirements</b> .....	29
<b>Multi-Dryer Installation Exhaust Requirements</b> .....	32
<b>Lint Filter</b> .....	35
<b>Dryer Motor Overload Protector</b> .....	35
<b>Operation Instructions for Electromechanical Washers</b> .....	36
<b>Operation Instructions for Electromechanical Dryers</b> .....	39
<b>Operation Instructions for Electronic Control Washers</b> .....	41
<b>Operation Instructions for Electronic Control Dryers</b> .....	45
<b>User-Maintenance Instructions</b> .....	49
<b>For Energy Conservation</b> .....	50
<b>Before You Call for Service</b> .....	51
<b>Information for Handy Reference</b> .....	53
<b>Installer Check</b> .....	Back Cover

## Replacement Parts . . .

If replacement parts are required, contact the source where you purchased your dryer, or contact

**Alliance Laundry Systems LLC**  
**Shepard Street**  
**P.O. Box 990**  
**Ripon, WI 54971-0990**  
**Phone:**  
**(920) 748-3950**

for the name and address of the nearest authorized parts distributor.

© Copyright 1999, Alliance Laundry Systems LLC

All rights reserved. No part of the contents of this book may be reproduced or transmitted in any form or by any means without the expressed written consent of the publisher.

# IMPORTANT SAFETY INSTRUCTIONS

## (SAVE THESE INSTRUCTIONS)



### WARNING

To reduce the risk of fire, electric shock, or injury to persons when using your dryer, follow these basic precautions:

W034

1. Read all instructions before using the unit.
2. Refer to the **GROUNDING INSTRUCTIONS** in the **INSTALLATION** manual for the proper grounding of the unit.
3. Do not wash or dry articles that have been previously cleaned in, washed in, soaked in, or spotted with gasoline, dry-cleaning solvents, or other flammable or explosive substances as they give off vapors that could ignite or explode.
4. Under certain conditions, hydrogen gas may be produced in a hot water system that has not been used for two weeks or more. **HYDROGEN GAS IS EXPLOSIVE.** If the hot water system has not been used for such a period, before using a washing machine or combination washer-dryer, turn on all hot water faucets and let the water flow from each for several minutes. This will release any accumulated hydrogen gas. The gas is flammable, do not smoke or use an open flame during this time.
5. Do not allow children to play on or in the unit. Close supervision of children is necessary when the unit is used near children. This is a safety rule for all appliances.
6. Before the unit is removed from service or discarded, remove the doors to the washing and drying compartments.
7. Do not reach into the washer or dryer if the cylinders are revolving.
8. Do not install or store the unit where it will be exposed to water and/or weather.
9. Do not tamper with the controls.
10. Do not repair or replace any part of the unit, or attempt any servicing unless specifically recommended in the User-Maintenance instructions or in published user-repair instructions that you understand and have the skills to carry out.
11. Do not add gasoline, dry-cleaning solvents, or other flammable or explosive substances to the wash water. These substances give off vapors that could ignite or explode.
12. Do not use fabric softeners or products to eliminate static unless recommended by the manufacturer of the fabric softener or product.
13. To reduce the risk of an electric shock or fire, **DO NOT** use an adapter to connect the unit to the electrical power source.
14. To reduce the risk of fire, **DO NOT DRY** plastics or articles containing foam rubber or similarly textured rubberlike materials.
15. **ALWAYS** clean the lint filter after every load. A layer of lint in the filter reduces drying efficiency and prolongs drying time.
16. Keep area around the exhaust opening and adjacent surrounding area free from the accumulation of lint, dust and dirt.
17. The interior of the dryer and the exhaust duct should be cleaned periodically by qualified service personnel.
18. If not installed, operated and maintained in accordance with the manufacturer's instructions or if there is damage to or mishandling of this product's components, use of this product could expose you to substances in the fuel or from fuel combustion which can cause death or serious illness and which are known to the State of California to cause cancer, birth defects or other reproductive harm.
19. Washer and dryer will not operate with the loading door open. **DO NOT** by-pass the door safety switches by permitting the washer or dryer to operate with the doors open. The washer and dryer will stop tumbling when the doors are opened. Do not use the washer or dryer if they do not stop tumbling when the doors are opened or start tumbling without pressing the **START** mechanisms. Remove the unit from use and call the service person.
20. Do not put articles soiled with vegetable or cooking oil in the washer or dryer. Due to the oil, the fabric may catch on fire by itself.
21. To reduce the risk of fire, **DO NOT** put clothes which have traces of any flammable substances such as machine oil, flammable chemicals, thinner, etc., or anything containing wax or chemicals such as in mops and cleaning cloths, or anything dry-cleaned at home with a dry-cleaning solvent in the dryer.

22. Use your washer only for its intended purpose, washing clothes.
23. Use the dryer only for its intended purpose, drying clothes.
24. Always disconnect the electrical power to the washer and dryer before attempting service to either unit. Disconnect the power cords by grasping the plug, not the cord.
25. If the supply cord is damaged, it must be replaced by a special cord or assembly available from the manufacturer or its service agent.
26. Install this unit according to the **INSTALLATION INSTRUCTIONS**. All connections for electrical power, grounding and gas supply must comply with local codes and be made by licensed personnel when required. Do not do it yourself unless you know how!
27. Keep your unit in good condition. Bumping or dropping the unit can damage safety features. If this occurs, have your unit checked by a qualified service person.
28. Remove laundry immediately after the dryer stops.
29. Always read and follow manufacturer's instructions on packages of laundry and cleaning aids. Heed all warnings or precautions. To reduce the risk of poisoning or chemical burns, keep them out of reach of children at all times (preferably in a locked cabinet).
30. Do not tumble fiber glass curtains and draperies unless the label says it can be done. If they are dried, wipe out the cylinder with a damp cloth to remove particles of fiber glass.
31. Be sure water connections have a shut-off valve and that fill hose connections are tight. **CLOSE** the shut-off valves at the end of each wash day.
32. **ALWAYS** follow the fabric care instructions supplied by the garment manufacturer.
33. Never operate the unit with any guards and/or panels removed.
34. **DO NOT** operate the unit with missing or broken parts.
35. **DO NOT** by-pass any safety devices.
36. Failure to install, maintain, and/or operate this machine according to the manufacturer's instructions may result in conditions which can produce bodily injury and/or property damage.
37. Do not operate washer and dryer if the units have been separated.

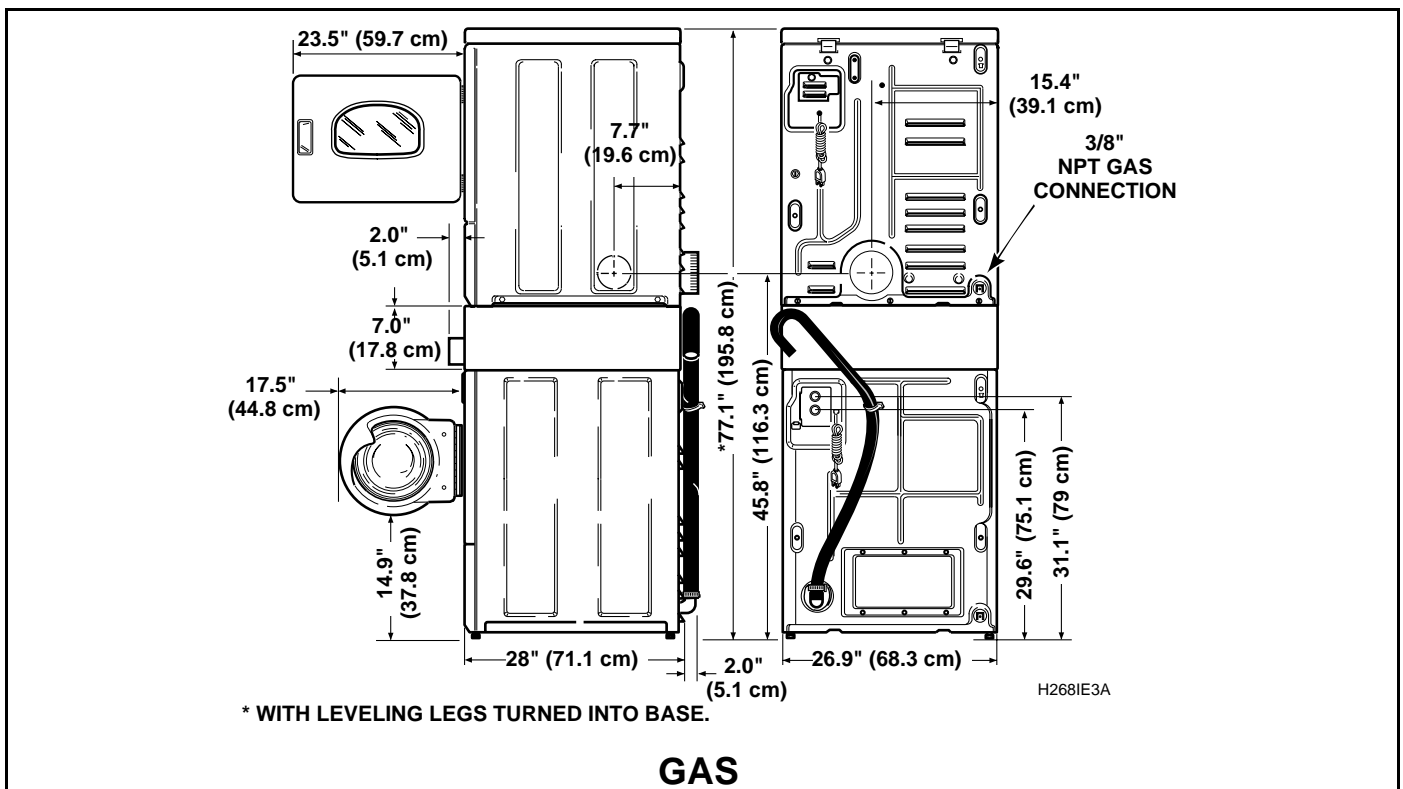
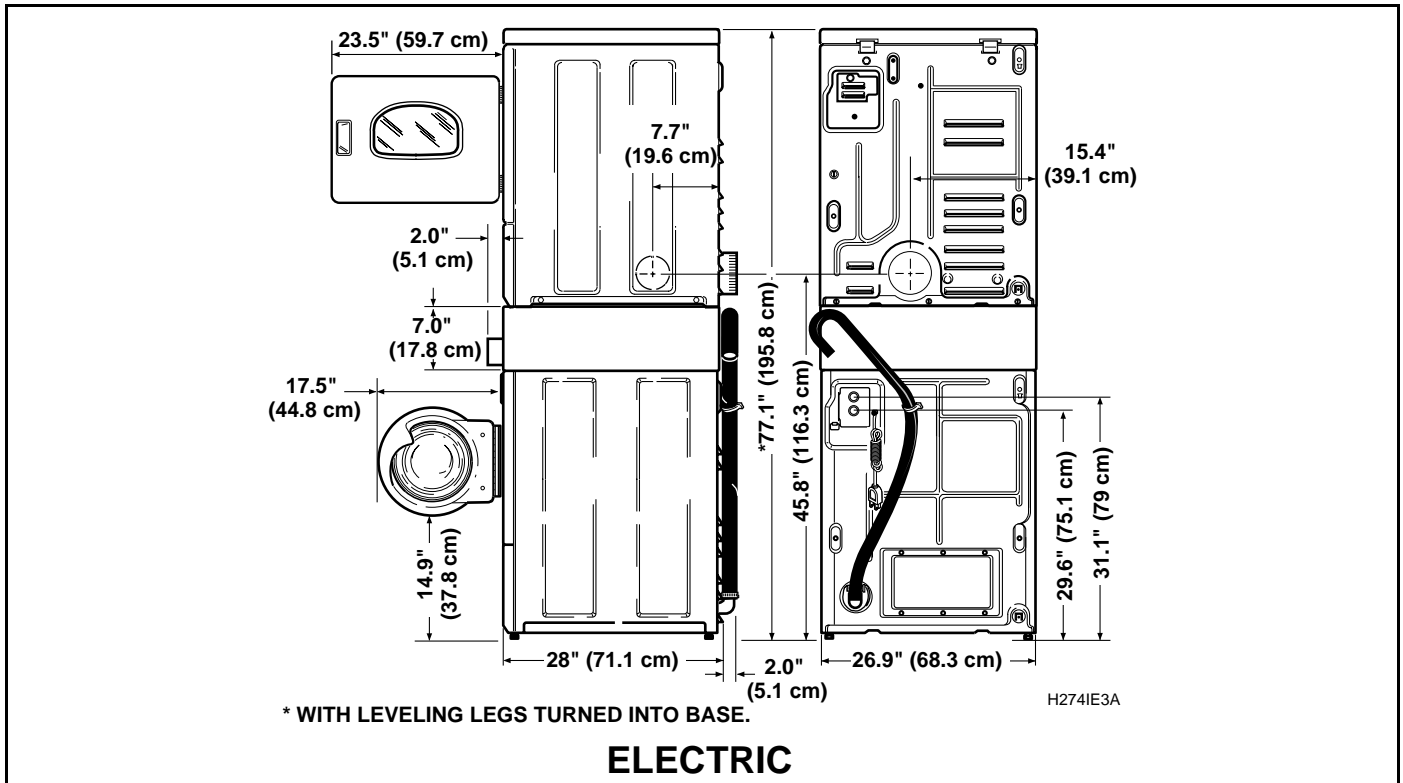
**IMPORTANT:** Solvent vapors from dry-cleaning machines create acids when drawn through the heater of the drying unit. These acids are corrosive to the dryer as well as to the laundry load being dried. Be sure make-up air is free of solvent vapors.

**IMPORTANT:** Have your unit installed properly. Don't do it yourself unless you know how!

**NOTE:** The **WARNING** and **IMPORTANT SAFETY INSTRUCTIONS** appearing in this manual are not meant to cover all possible conditions and situations that may occur. Common sense, caution and care must be exercised when installing, maintaining, or operating the dryer.

Always contact your dealer, distributor, service agent or the manufacturer about any problems or conditions you do not understand.

# Roughing In Dimensions . . .



**NOTE:** Side and rear exhaust openings are four inch (10.2 cm) ducting. Gas models cannot be vented out left side of cabinet because of burner housing.

**IMPORTANT:** The dryer should have sufficient clearance around it for needed ventilation and for the ease of installation and servicing. For maximum drying performance, we recommend that more clearance be allowed around the dryer than the clearances that are listed throughout this manual.

# Additional Security . . .

Torx security screws are available (as optional equipment at extra cost) for securing both lower access panels to washer and dryer bases. Order part number 62853.

A Torx bit, part number 282P4, is available (as optional equipment at extra cost) for installing the Torx security screws.

A Torx bit holder, part number 24161, is available (as optional equipment at extra cost) to be used with the Torx bit.

## Washer Slide Extension . . . (Coin Slide Models Only)



### WARNING

To reduce the risk of electric shock, fire, explosion, serious injury or death:

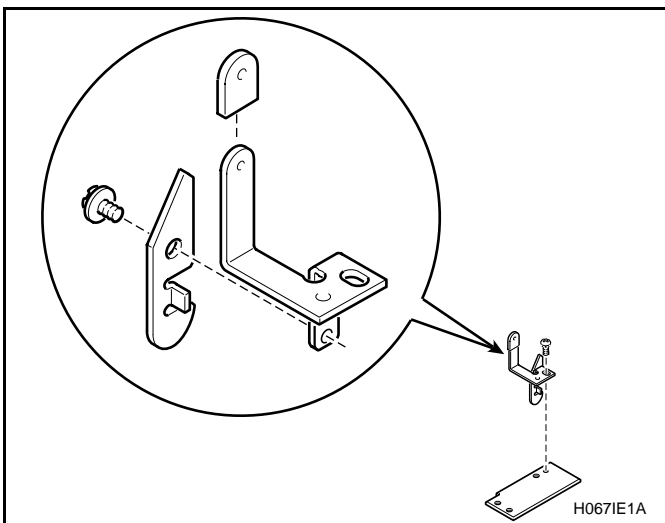
- Disconnect electric power to the washer and dryer before servicing.
- Never start the washer and dryer with any guards/panels removed.
- Whenever ground wires are removed during servicing, these ground wires must be reconnected to ensure that the washer and dryer are properly grounded.

W251

Remove slide extension, shoulder screw, plastic boot, actuator, actuator support, screws and lockwashers from the accessories bag. Install slide extension as follows:

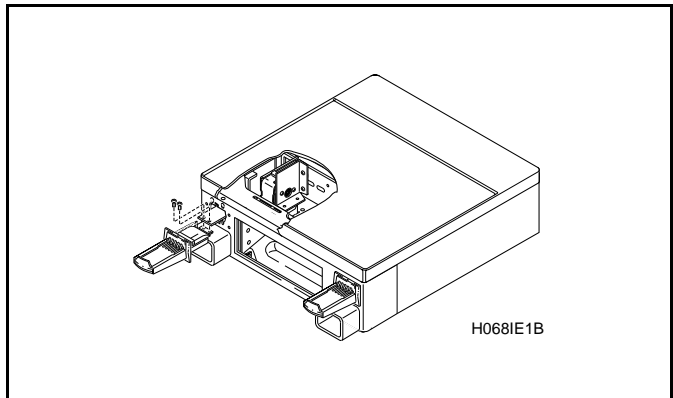
1. Unlock and open service door. Remove locking rod holding coin slide to front of security cabinet.

**NOTE: Refer to following illustration for steps 2 through 4.**



2. Assemble plastic boot (No. 36165) onto actuator support (No. 685592).
3. Assemble actuator (No. 36164) to actuator support (No. 685592) using shoulder screw (No. 36166).

4. Place actuator and support assembly onto slide extension, and install screw and lockwasher (No. 03950).
5. Install assembled slide extension through coin slide opening of security cabinet by reaching through service door opening.
6. Assemble slide extension (No. 685593) to top side of coin slide using two screws and lockwashers (No. 03950), and tighten firmly. See illustration below.



7. Reinstall assembled coin slide in security cabinet. Close and lock service door.

After slide extension has been installed, check washer operation as follows:

1. Connect electrical power to washer.

**NOTE: To determine if slide functions properly, allow washer to complete its cycle, and for timer to stop, before starting evaluation process.**

2. Place required number of coins in slide. Push slide in slowly and listen for coins to drop into coin drawer.
3. Push slide in a little farther and observe through service door opening that actuator drops beyond timer clutch. Continue pushing slide all the way in and pull back. Confirm that the actuator will rotate timer clutch and wash cycle starts.

**NOTE: You must press Push-to-Start button to initiate cycle after activation of slide.**



# Dryer Slide Extension . . .

## (Coin Slide Models Only)

Remove two slide extensions, four screws and lockwashers from the accessories bag and install the extension on the top of the coin slide.

**IMPORTANT:** Slide extension must be attached to top side of the coin slides to make them long enough to activate the accumulator (dryer) or timer (washer).

**NOTE:** This unit, as shipped from the factory, does not include the coin slides, coin drawers, lock or keys. These coin slide kits (or parts) must be ordered, at extra cost, according to the purchaser's requirements direct from the coin kit manufacturer of your choice.

# Timer Cams . . .

The dryer timers are factory equipped with a 45 minute timing cam. If this drying time is not suitable to your installation, the following cams can be found in the accessories bag.

## ELECTRIC DRYERS

1-53242 Cams (30 Minutes)

1-53240 Cams (60 Minutes)

## GAS DRYERS

1-53242 Cams (30 Minutes)

A 60 minute timing cam, Part No. 53240, is available for the gas dryers as optional equipment at extra cost.

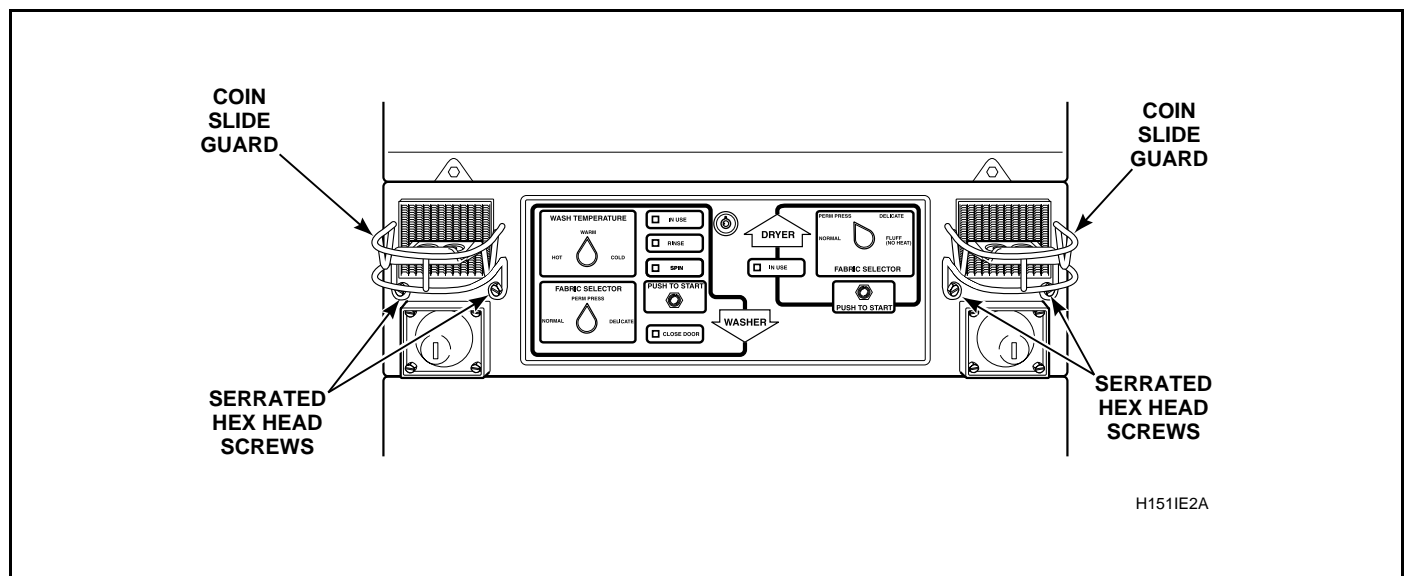
# Coin Slide Guards . . .

## (Coin Slide Models Only)

Using serrated hex head screws from accessories bag, install coin slide guards (located in accessories bag), to front of control cabinet. See illustration.

A special security screw kit is available (as optional equipment at extra cost) for securing the two coin slide

guards and both front access panels to front of unit. Order Security Kit No. 298P3. A special driver, part number 56217, is available (as optional equipment at extra cost) for installing the special security screws.

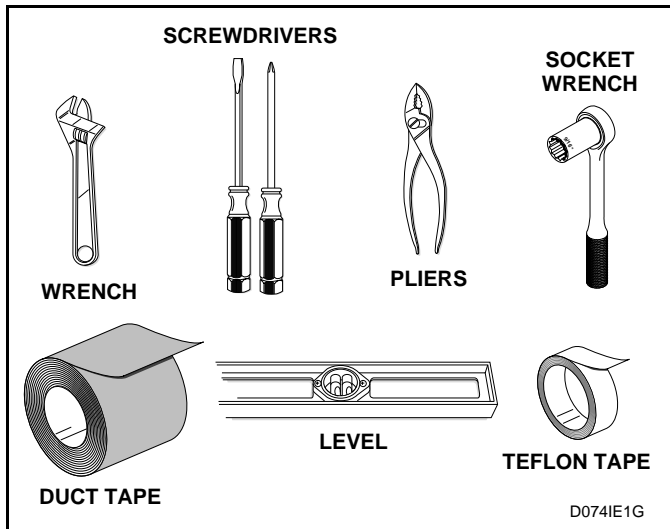


**NOTE:** Coin slides and coin drawers are shown for illustration only. You must obtain them locally.

# Before You Start . . .

## Tools

For most installations, the basic tools you will need are:

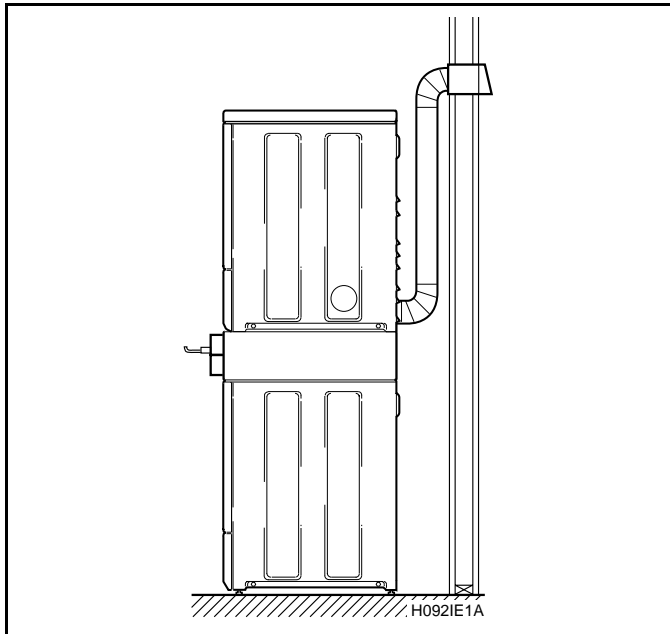


## Water

Washer needs two standard 3/4 inch (19.1 mm) water supply faucets with a pressure between 20-120 pounds per square inch (138 to 827 kPa). For more detailed information, refer to Section on *Water Supply Requirements*.

## Exhaust

Use rigid metal duct and exhaust the dryer to the outside by the shortest route possible.



**NOTE:** For more detailed information, refer to Section on *Dryer Exhaust Requirements*.

## Electrical

- **WASHER**  
Refer to Serial plate for specific electrical requirements. For more detailed information, refer to Section on *Washer Electrical Requirements*.
- **ELECTRIC DRYER**  
Dryer needs a 3 or 4 wire 120/240 or 120/208 Volt, 60 Hertz, AC single Phase electrical supply. For more detailed information, refer to Section on *Electric Dryer Electrical Requirements*.
- **GAS DRYER**  
Dryer needs a 120 Volt, 60 Hertz, polarized 3-slot effectively grounded receptacle. For more detailed information, refer to Section on *Gas Dryer Electrical Requirements*.

**NOTE:** 208 Volt heating element is available (as optional equipment at extra cost).

## Gas

Dryer is equipped for Natural Gas with a 3/8" NPT gas supply connection. For more detailed information, refer to Section on *Gas Requirements*.

## Location

Place the dryer on a solid floor with an adequate air supply. For more detailed information, refer to Section on *Location Requirements*.

# Installing the Unit . . .

## Step 1:

### Position Unit Near Installation Area

Move unit so that it is within four feet of the desired area of installation.



## CAUTION

Washer and dryer are not designed to be operated as separated, side-by-side units.

W187



H2431

## Step 2:

### Connect Water Inlet Hoses

**NOTE:** Refer to Section on *Water Supply Requirements* before connecting water inlet hoses.

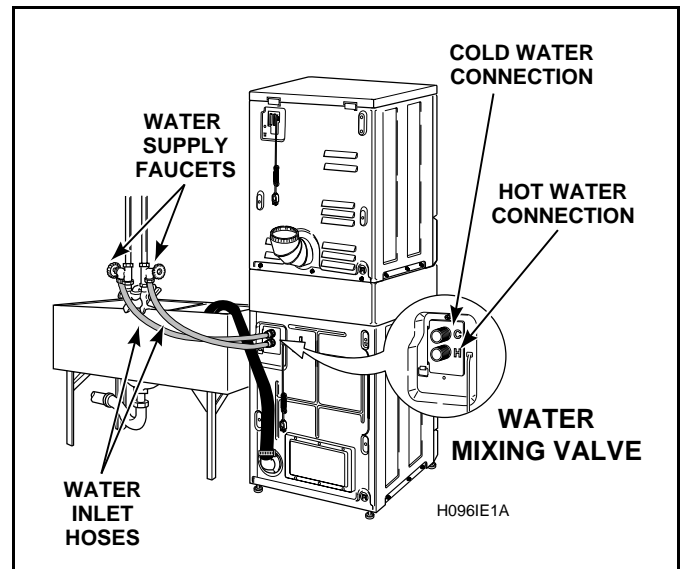
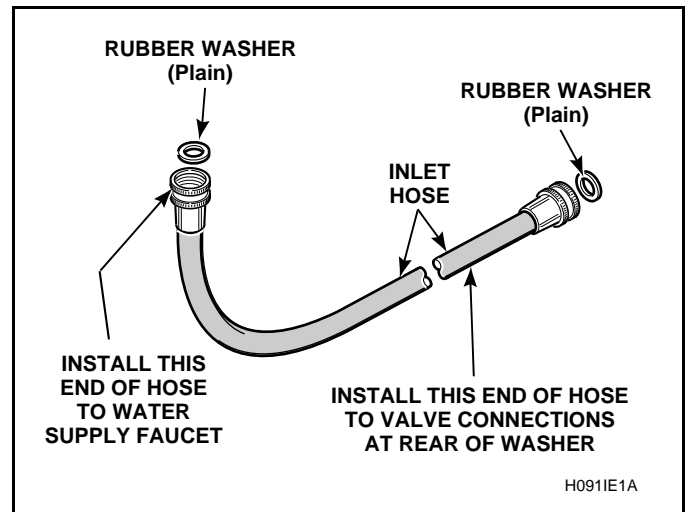
Remove the four plain rubber washers from accessories bag, and install them according to the illustration.

Turn on the water supply faucets and flush the lines for approximately two minutes to remove any foreign materials that could clog the screens in the water mixing valve.

**NOTE:** When installing in newly constructed or renovated building, it is very important to flush the lines since build-up may have occurred during construction.

**IMPORTANT:** Thread hose couplings onto valve connections finger-tight, then approximately 1/4 turn with pliers. **DO NOT** cross thread or overtighten couplings.

Turn water on and check for leaks. If leaks are found, retighten the hose couplings. Continue tightening and rechecking until no leaks are found.

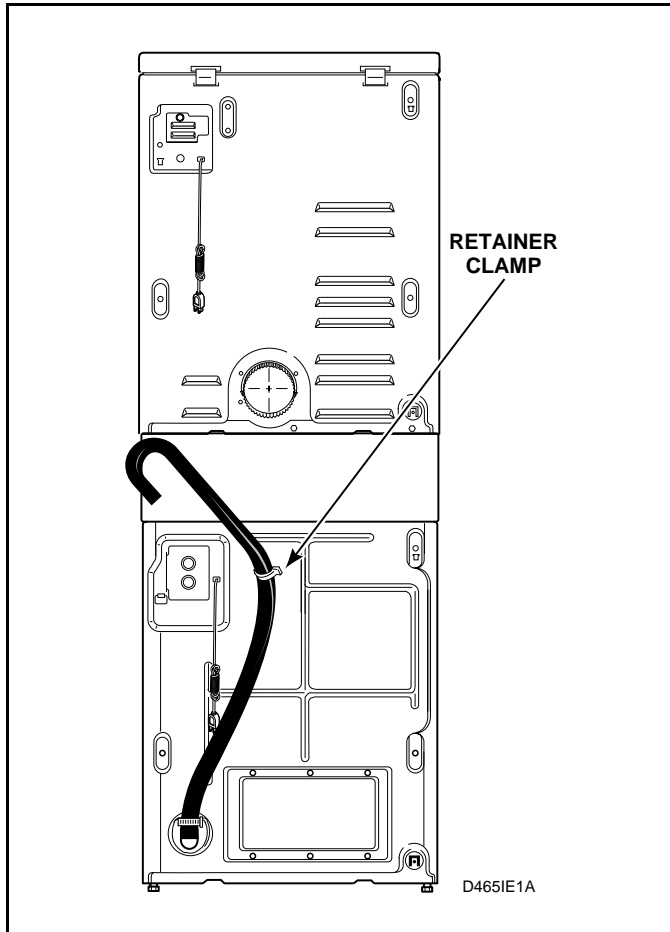


### Step 3:

## Connect Drain Hose to Drain Receptacle

Remove the drain hose from its shipping position on the rear of the washer by unhooking the hose from the retainer clamp.

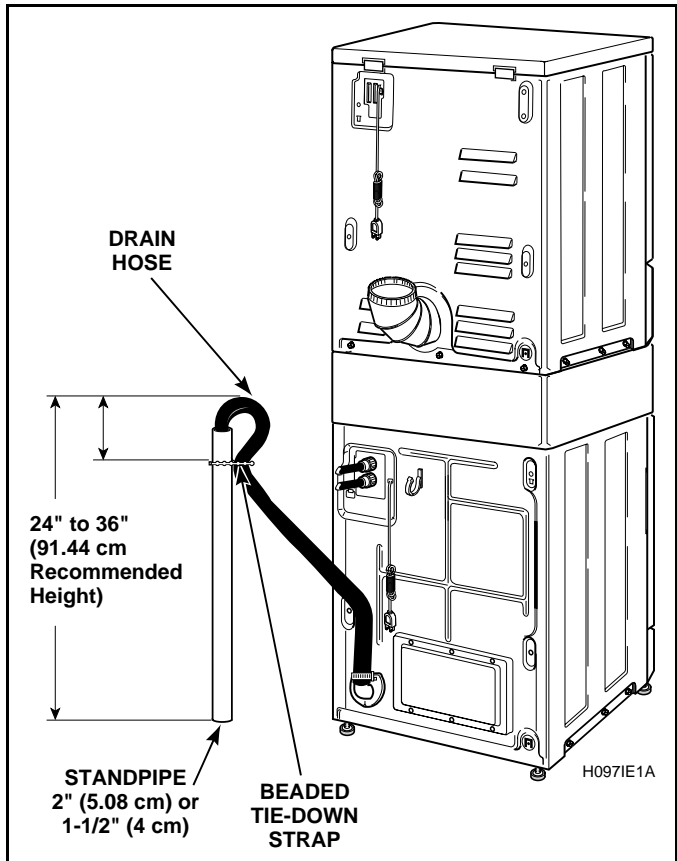
**IMPORTANT: Drain receptacle must be capable of handling a minimum of 1-1/4 inch (32 cm) outside diameter drain hose.**



### Standpipe Installation:

Place the drain hose into the standpipe.

Remove the beaded tie-down strap from accessories bag and place around standpipe and drain hose and tighten strap to hold hose to standpipe. This will prevent the drain hose from dislodging from drain receptacle during use.

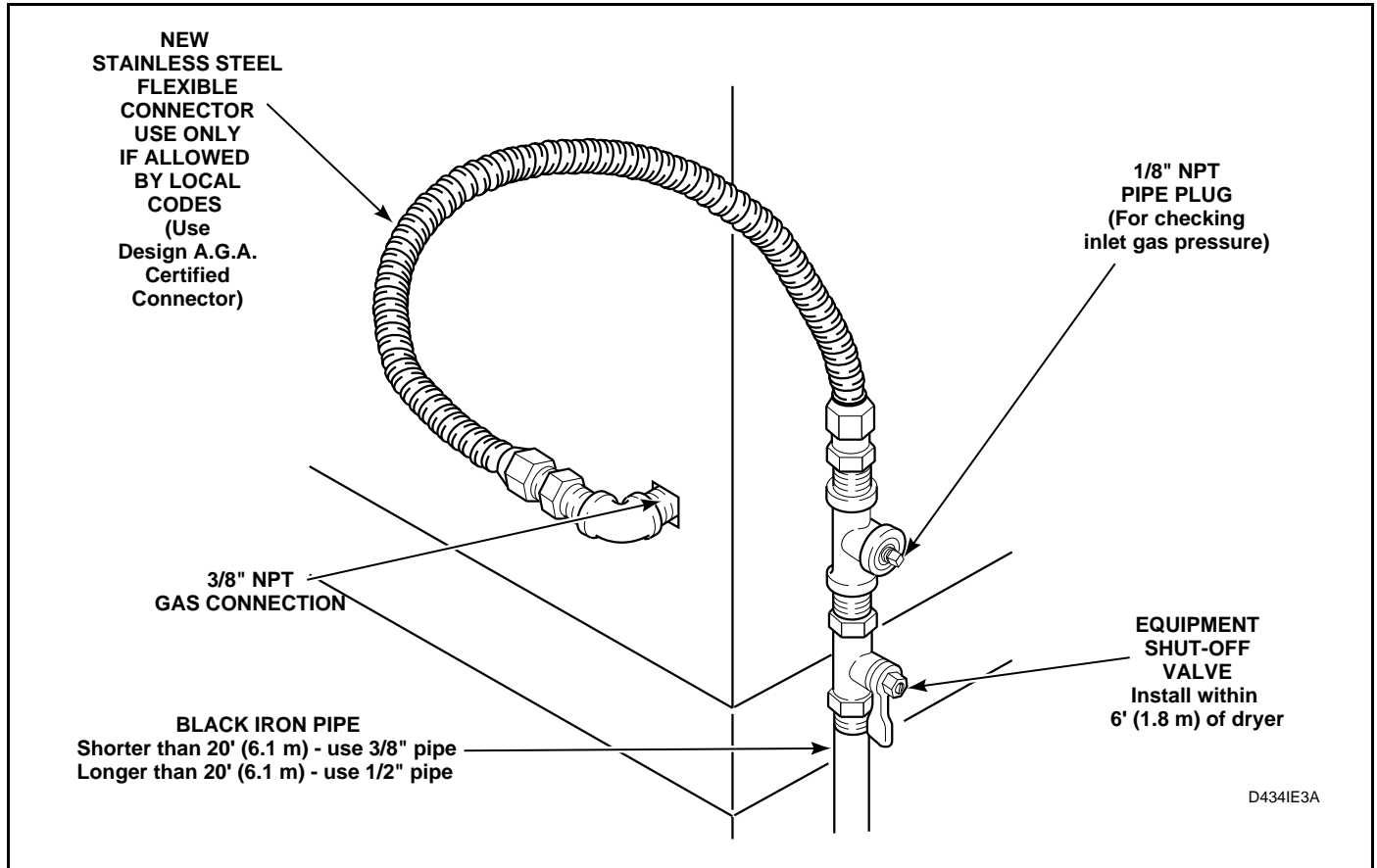


## Step 4: (Gas Dryer ONLY)

### Connect Gas Supply Pipe

For further assistance, refer to Section on *Gas Requirements*.

1. Make certain dryer is equipped for use with the type of gas in laundry room. Dryer is equipped at the factory for Natural Gas with a 3/8" NPT gas connection.
2. Remove the shipping cap from the gas connection at the rear of the dryer. Make sure you do not damage the pipe threads when removing the cap.
3. Connect to gas supply pipe using a new flexible stainless steel connector.
4. Tighten all connections securely. Turn on gas and check all pipe connections (internal & external) for gas leaks with a non-corrosive leak detection fluid.
5. For L.P. (Propane) gas connection, refer to Section on *Gas Requirements*.

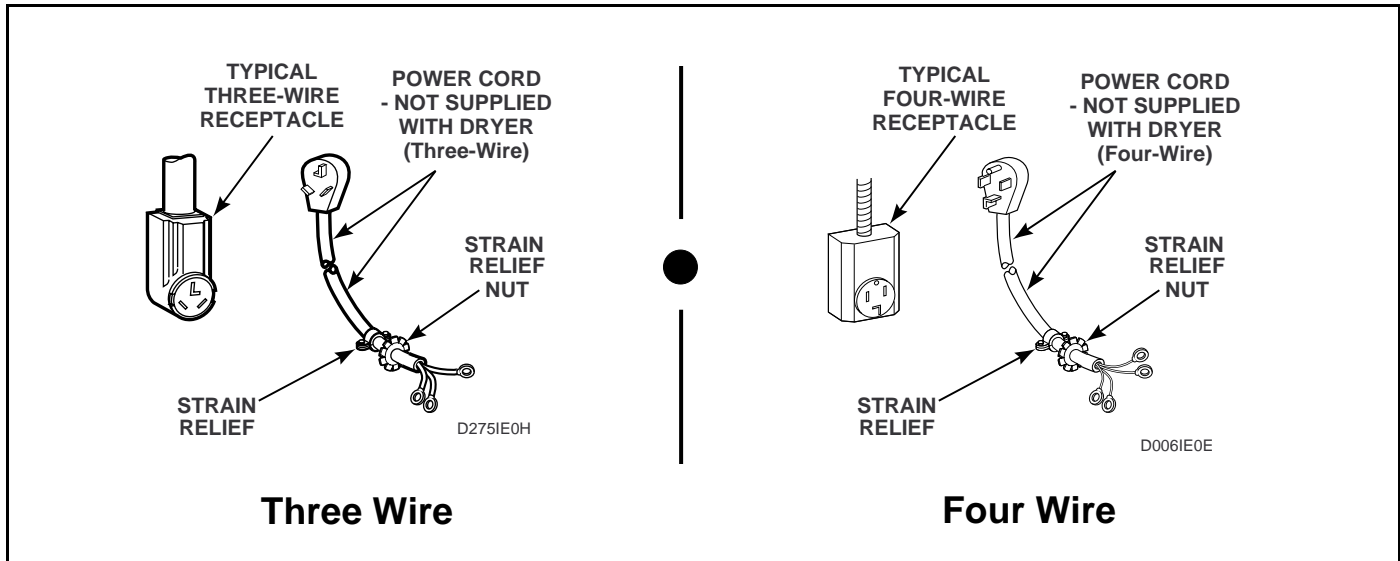


## Step 5: (Electric Dryer ONLY)

### Connect Electrical Plug

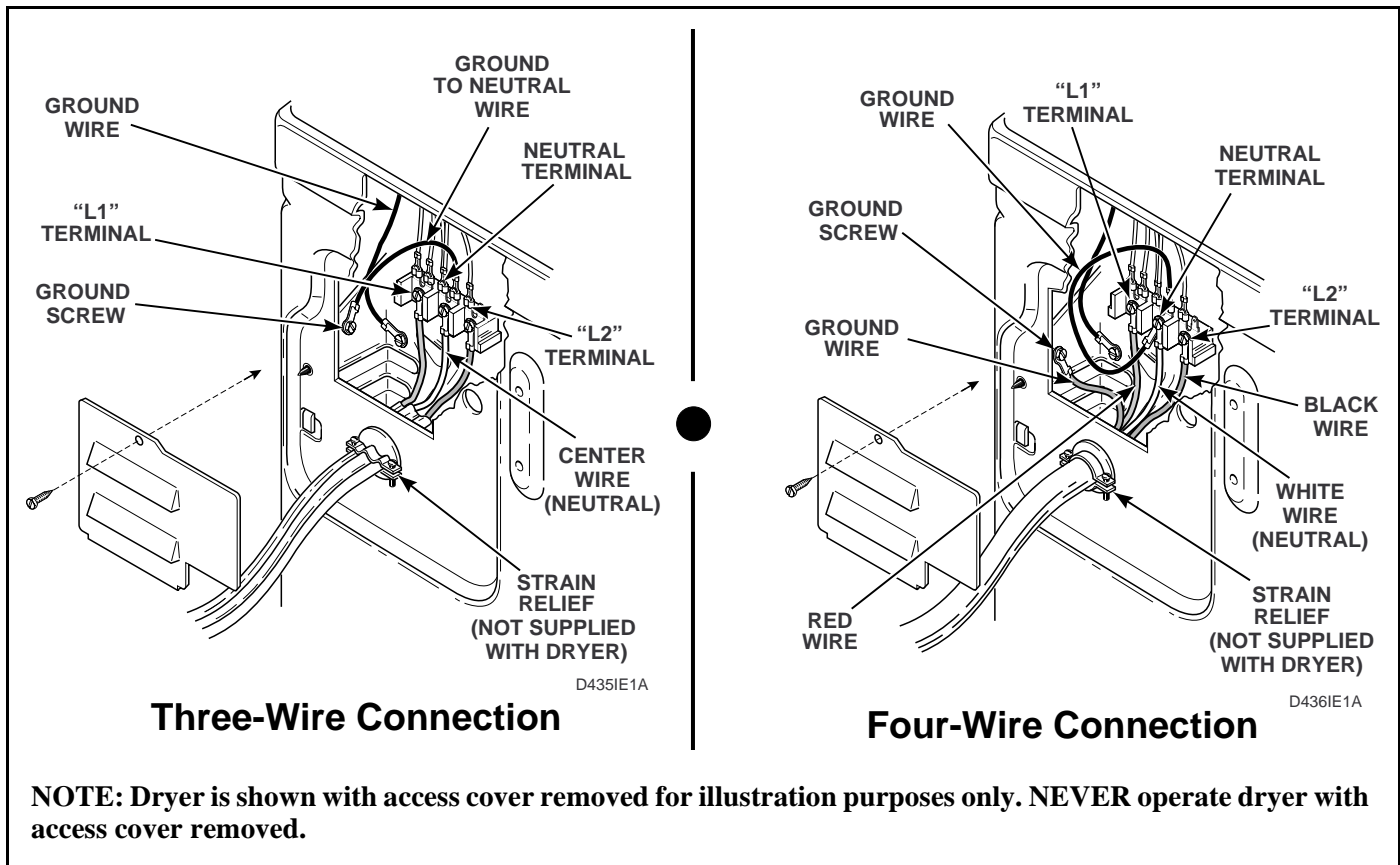
For further assistance, refer to Section on *Electrical Requirements*.

**IMPORTANT:** Use only a new U.L. listed No. 10 (copper wire only) three conductor power supply cord kit rated 240 Volts (minimum) 30 Amperes and labeled as suitable for use in a clothes dryer.



**NOTE:** For more detailed information on connecting three-wire or four-wire plugs, refer to Section on *Electric Dryer Electrical Requirements*.

**NOTE:** Four-wire cord is required for mobile homes or where codes do not permit grounding through neutral.




**NOTE:** Dryer is shown with access cover removed for illustration purposes only. NEVER operate dryer with access cover removed.

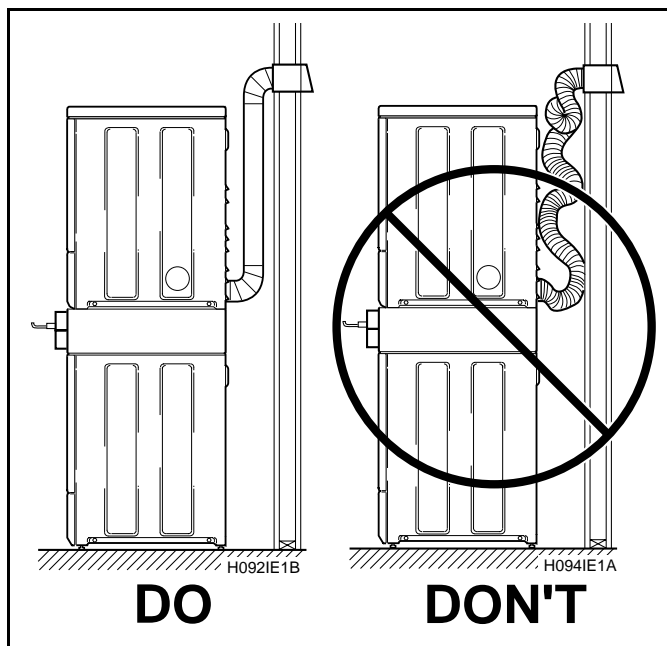
## Step 6:

### Connect Dryer Exhaust System

For further assistance refer to Sections on *Location Requirements* and *Dryer Exhaust Requirements*.

	<b>WARNING</b>
<p><b>A clothes dryer produces combustible lint. To reduce the risk of fire and combustion gas accumulation the dryer <b>MUST</b> be exhausted to the outdoors.</b></p>	
<small>W116</small>	

- DO NOT use plastic or thin foil flexible ducting.
- Locate unit so exhaust duct is as short as possible.
- Be certain old ducts are cleaned before installing your new dryer.
- Use 4" (10.2 cm) diameter rigid or flexible metal duct.
- Use as few elbows as possible.
- Use duct tape on all joints.
- **Failure to exhaust dryer properly will void warranty.**



**NOTE:** Venting materials are not supplied with the unit (obtain locally).

## Step 7:

### Remove the Shock Sleeves and Shipping Brace (Washer Only)

Remove front access panel by removing the two screws.

Remove bolts and washers from shipping brace with 9/16" wrench and remove brace. Remove shock sleeves by pulling on the yellow rope.

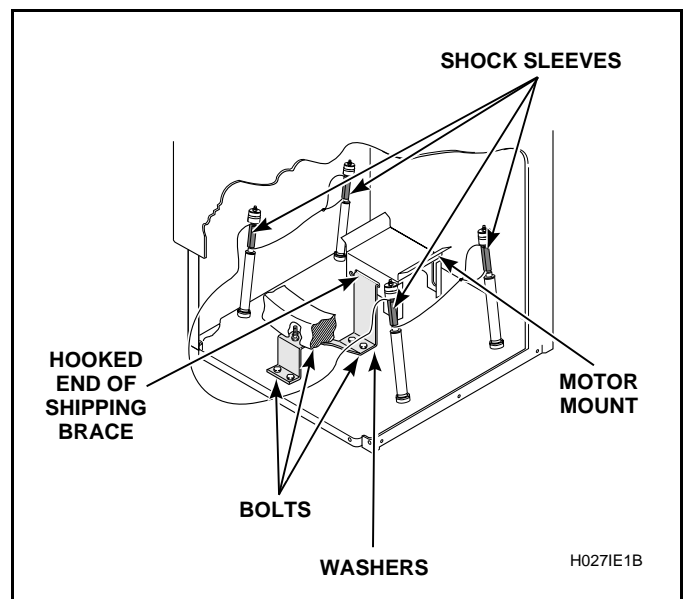
Remove label from front side of front access panel and place on backside of front access panel.

**NOTE:** The shipping brace, bolts, washers and shock sleeves should be saved and **MUST** be reinstalled whenever the washer is moved more than four feet. Do not lift or transport washer from front or without shipping materials installed.

Store the shipping materials in the bag provided in the Accessories Bag. Save materials for use whenever the washer is moved.

**NOTE:** The shipping materials **MUST** be reinstalled whenever the unit is moved. Refer to *Moving Unit to a New Location* section for proper instructions on reinstalling the shipping materials.

Reinstall front access panel.



## Step 8:

### Position and Level the Unit

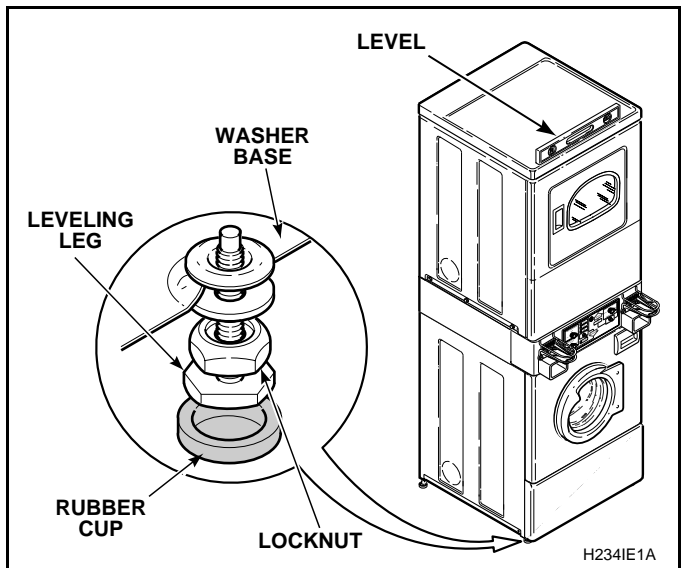
Place unit in position on a clean, firm and reasonably level floor. Installing the unit on any type of carpeting is not recommended.

Loosen 9/16" locknuts and adjust the leveling legs until the unit does not rock and is level from side-to-side and front-to-back. Hand tighten locknuts against unit base and then securely tighten locknuts with 9/16" deep well socket wrench. If the locknuts are not tight, the unit will move out of position during operation.

**NOTE: Level must rest on raise portion of top panel. See illustration.**

Remove rubber feet from accessories bag and place on all four leveling legs.

**NOTE: For further assistance, refer to Section on Location Requirements.**



### CAUTION

**DO NOT slide unit more than four feet across floor if the leveling legs have been extended, as legs and base could become damaged.**

W184



### CAUTION

**Use of the dispenser drawer or washer or dryer doors as handles in the transportation of the unit may cause damage to the dispenser or doors.**

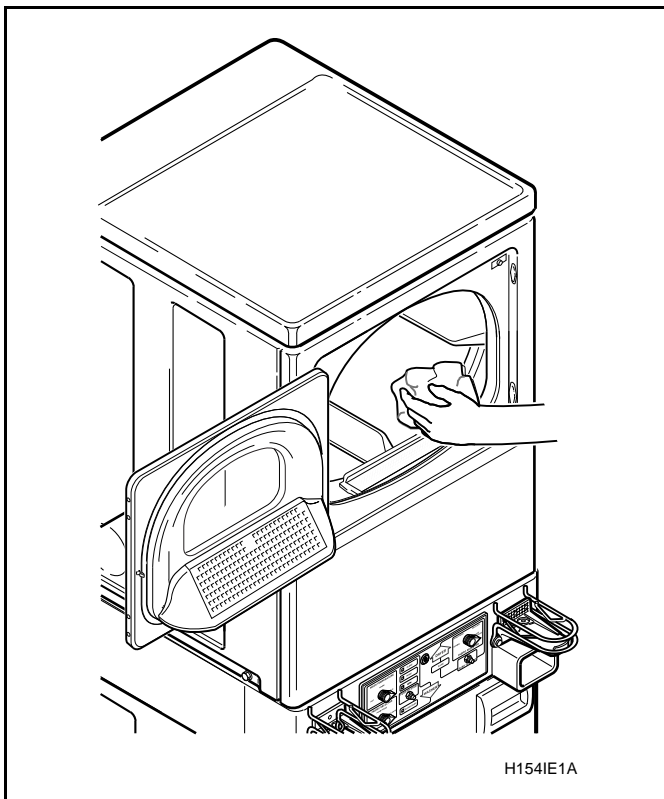
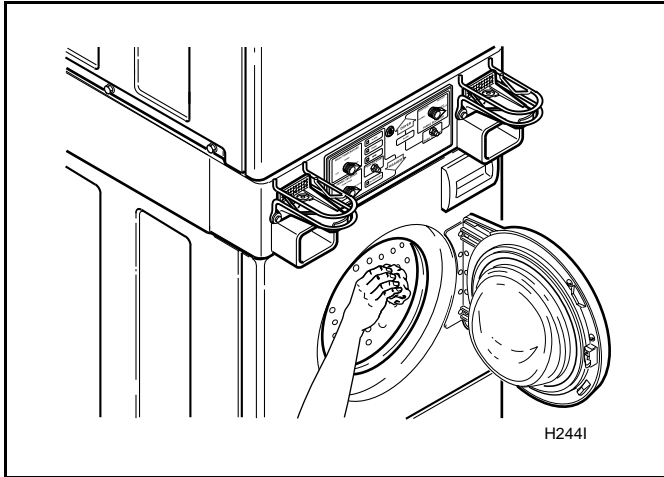
W185



## Step 9:

### Wipe Out Inside of Washer Drum and Dryer Drum

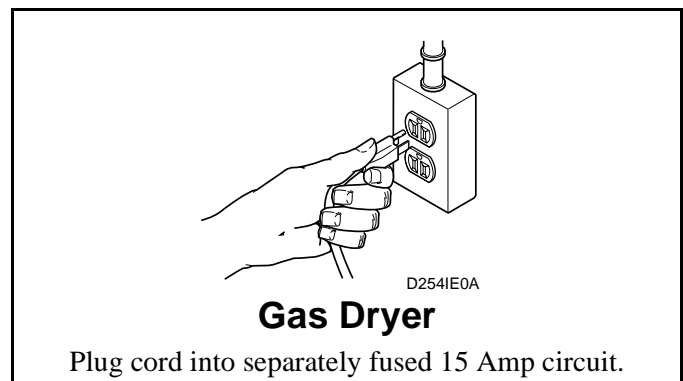
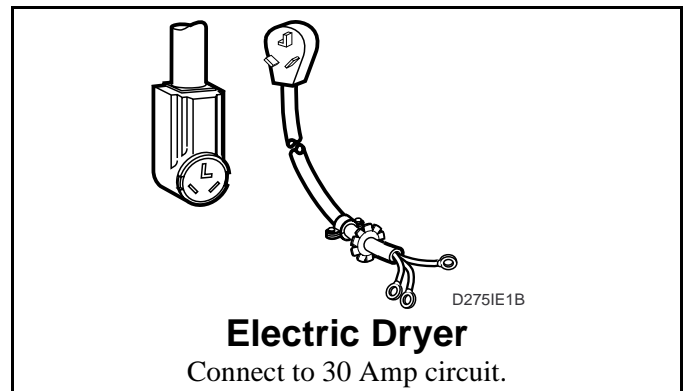
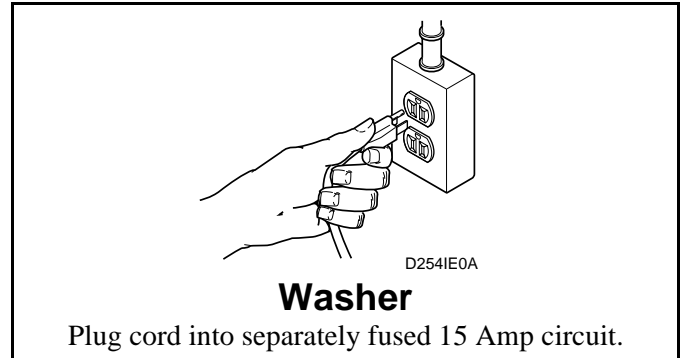
Before using the washer and dryer for the first time, use an all-purpose cleaner, or a detergent and water solution, and a damp cloth to remove shipping dust from inside the drums.



## Step 10:

### Plug In the Washer and Dryer

Refer to Sections on *Electrical Requirements* and connect the washer and dryer to an electrical power source.



## Step 11:

### Check Installation

Refer to *Installer Check* on the back cover of this manual and make sure that unit is installed correctly.

# Moving Unit to a New Location . . .

To prevent damage while moving the washer, the shipping materials **MUST BE** reinstalled.

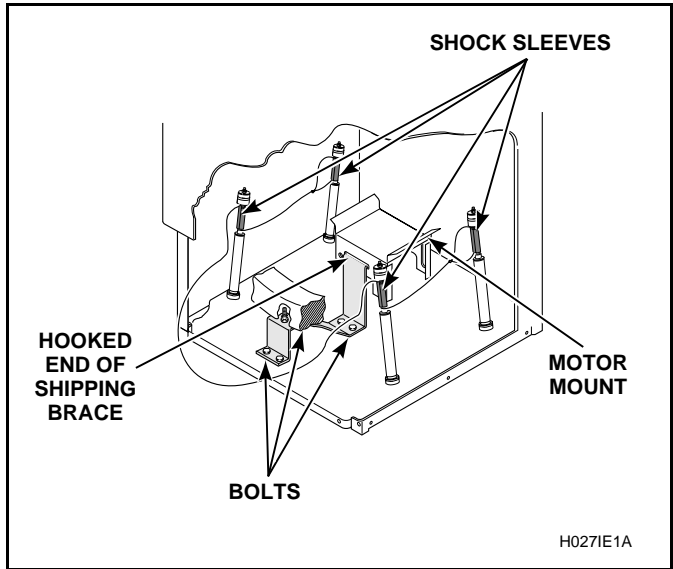
## Reinstallation of Shipping Materials

Remove front access panel by removing two screws.

Place the shock sleeves on all four shock absorbers. See illustration.

Insert hooked end of shipping brace into the open slot of the motor mount. Attach with bolts and washers. See illustration.

Reinstall front access panel.



Refer to the *Installing the Unit* for proper procedures whenever the washer is moved.

# Heat Source Check . . .

## (Electric Dryers)

### Metered Models

Set the proper FABRIC SELECTOR switch at NORMAL. Place coins in the slide and carefully push slide in as far as possible. **IN USE** light will come on

indicating the dryer is ready to operate. Close the loading door and press the **PUSH-TO-START** button firmly to start the dryer. After dryer has operated for three minutes, the exhaust air or exhaust pipe should be warm.

### (Gas Dryers)

During the gas heat check, observe the burner flame. The flame can be viewed by removing the lower front panel of the dryer.

### Metered Models


Set FABRIC SELECTOR switch at NORMAL. Place coins in the slide and carefully push slide in as far as possible. **IN USE** light will come on indicating the dryer is ready to operate. Close the loading door and press the **PUSH-TO-START** button firmly. The dryer will start, the igniter will glow red and the main burner will ignite.

**IMPORTANT: If all air is not purged out of the gas line, the gas igniter may go off before the gas is ignited. If this happens, after approximately two minutes the igniter will again attempt gas ignition.**

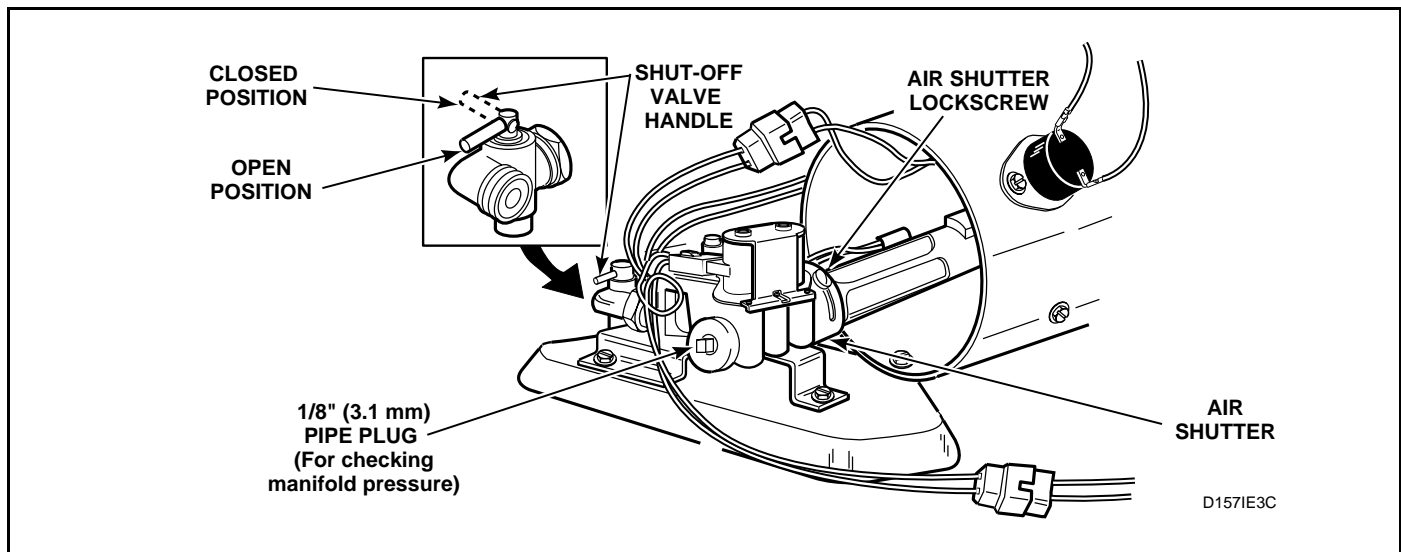
After dryer has operated for approximately five minutes, observe burner flame. Adjust the air shutter to obtain a soft, uniform blue flame. (A lazy, yellow tipped flame

indicates lack of air. A harsh, roaring, very blue flame indicates too much air.) Adjust the air shutter as follows:

1. Loosen the air shutter lock screw.
2. Turn the air shutter to the left to get a luminous yellow tipped flame, then turn it back slowly to the right to obtain a steady soft blue flame.
3. After the air shutter is adjusted for proper flame, tighten the air shutter lock screw securely.
4. Reinstall the lower front panel.

	<b>WARNING</b>
<b>For personal safety, lower front panel must be in place during normal operation.</b>	
<small>W046</small>	

After dryer has operated for approximately three minutes, the exhaust air or exhaust pipe should be warm.



# Water Supply Requirements . . .



## WARNING

Under certain conditions, hydrogen gas may be produced in a hot water system that has not been used for two weeks or more. **HYDROGEN GAS IS EXPLOSIVE.** If the hot water system has not been used for such a period and before using the washer, turn on all hot water faucets and let the water flow from each for several minutes. This will release any accumulated hydrogen gas. The gas is flammable, do not smoke or use an open flame during this time.

W029

**NOTE:** Water supply faucets must fit standard 3/4 inch (19.1 mm) female garden hose couplings. **DO NOT USE SLIP-ON OR CLAMP-ON CONNECTIONS.**

**NOTE:** Water supply faucets should be readily accessible to permit turning them off when washer is not being used.

## Water Temperature

### Cold:

Recommended cold water temperature is 60° to 80° Fahrenheit, 16° to 27° Celsius.

### Hot:

Recommended hot water temperature is 120° to 140° Fahrenheit, 49° to 60° Celsius.

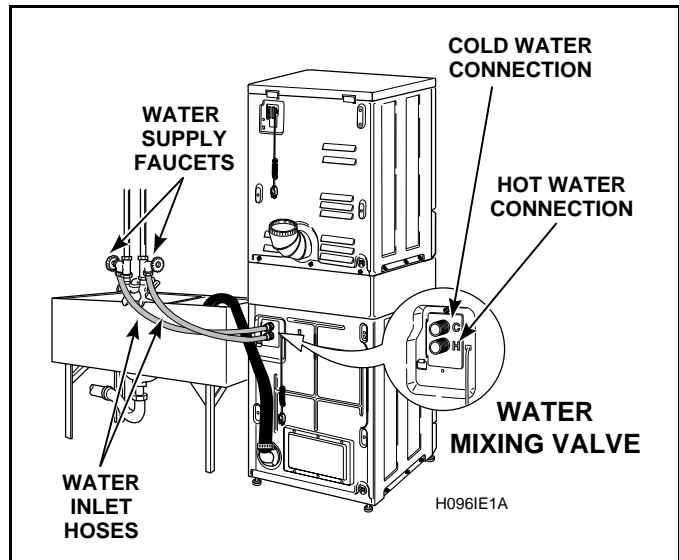
### Warm:

Mixture of hot and cold water. (Warm water temperature is dependent upon the water temperature and the pressure of both the hot and cold water supply lines.)

**IMPORTANT:** Turn off water supply faucets after check-out and demonstration. Owner should turn off water supply whenever there will be an extended period of non-use.

**NOTE:** Longer inlet hoses are available (as optional equipment at extra cost) if the hoses (supplied with the washer) are not long enough for the installation. Order hoses as follows:

- No. 20617 Inlet Hose (8 foot) (2.44m)
- No. 20618 Inlet Hose (10 foot) (3.05m)



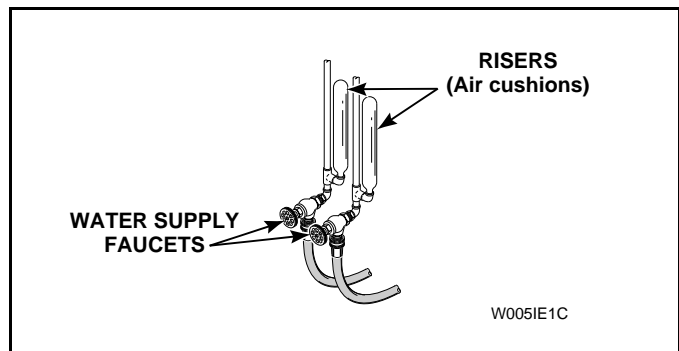
## Water Pressure

Pressure must be a minimum of 20 to a maximum of 120 pounds per square inch (138 to 827 kPa) static pressure measured at the faucet.

**NOTE:** Water pressure under 20 pounds per square inch (138 kPa) will cause an extended fill time in the washer and may not properly flush out the detergent dispenser.

## Risers

Risers (or air cushions) may have to be installed if the pipes knock or pound when flow of water stops. The risers are more efficient when installed as close as possible to the water supply faucets (see illustration below).




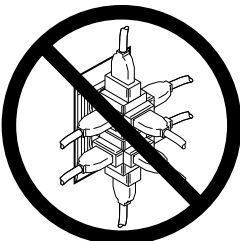
# Washer

## Electrical Requirements . . .

### (120 Volt, 60 Hertz with 3-Prong Grounding Plug)


**NOTE:** The wiring diagram is located behind the control panel, inside the control cabinet.

	<b>WARNING</b>
<p>To reduce the risk of fire, electric shock, serious injury or death, all wiring and grounding <b>MUST</b> conform with the latest edition of the National Electrical Code, ANSI/NFPA No. 70, and such local regulations as might apply. It is the customer's responsibility to have the wiring and fuses checked by a qualified electrician to make sure the laundry room has adequate electrical power to operate the washer.</p>	
W227	


<p><b>DO NOT OVERLOAD CIRCUITS</b>  <b>DO NOT USE ADAPTER</b>  <b>DO NOT USE AN EXTENSION CORD</b></p>
D0091E1A

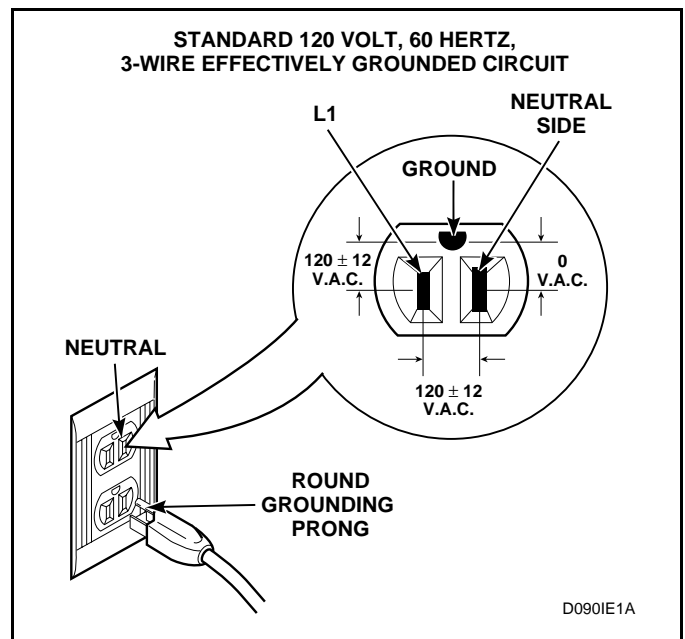
### Grounding Instructions

The washer must be grounded. In the event of malfunction or breakdown, grounding will reduce the risk of electric shock by providing a path of least resistance for electric current. The washer is equipped with a cord having an equipment-grounding conductor and a 3-prong grounding plug. The plug must be plugged into an appropriate outlet that is properly installed and grounded in accordance with all local codes and ordinances.

	<b>WARNING</b>
<p>Improper connection of the equipment-grounding conductor can result in a risk of electric shock. Check with a qualified electrician or serviceman if you are in doubt as to whether the washer is properly grounded.</p>	
W032	


Do not modify the plug provided with the washer—if it will not fit the outlet, have a proper outlet installed by a qualified electrician.

**NOTE:** Have a qualified electrician check the polarity of the wall receptacle. If a voltage reading is measured other than that illustrated, the qualified electrician should correct the problem.



Do not operate other appliances on the same circuit when this appliance is operating.

Do not operate both a washer and gas dryer on the same circuit. Use separately fused 15 Amp circuits.

	<b>WARNING</b>
<p>To reduce the risk of electric shock or fire, <b>DO NOT</b> use an extension cord or an adapter to connect the washer to the electrical power source.</p>	
W031	

# Electric Dryer Electrical Requirements . . .

**(120/240 Volt, 60 Hertz, 3-Wire Installation)  
(120/208 Volt, 60 Hertz, 3-Wire Installation)\***

**\*Alternative Heating Element Required**

**NOTE:** The wiring diagram is located behind the control panel, inside the control cabinet.

## WARNING

To reduce the risk of fire, electric shock or personal injury, all wiring and grounding **MUST** conform with the latest edition of the National Electrical Code ANSI/NFPA 70 or the Canadian Electrical Code, CSA C22.1, and such local regulations as might apply. It is the customer's responsibility to have the wiring and fuses checked by a qualified electrician to make sure the laundry room has adequate electrical power to operate the dryer.

W035

## Grounding and Wiring Instructions

- The dryer must be connected to a grounded metal, permanent wiring system; or an equipment-grounding conductor must be run with the circuit conductors and connected to the equipment-grounding terminal or lead on the dryer.
- The dryer has its own terminal block that must be connected to a separate branch, 60 Hertz, single phase

circuit, AC (alternating current) circuit, **fused at 30 Amperes** (the circuit must be fused on both sides of the line). **ELECTRICAL SERVICE FOR THE DRYER SHOULD BE OF MAXIMUM RATED VOLTAGE LISTED ON THE NAMEPLATE. DO NOT CONNECT DRYER TO 110, 115, OR 120 VOLT CIRCUIT.** Heating elements are available for field installation in dryers which are to be connected to electrical service of different voltage than that listed on nameplate, such as 208 Volt.

- If branch circuit to dryer is fifteen feet (4.50 m) or less in length, use U.L. (Underwriters Laboratories) listed No. 10 A.W.G. wire (copper wire only), or as required by local codes. If over fifteen feet (4.50 m), use U.L. (Underwriters Laboratories) listed No. 8 A.W.G. wire (copper wire only), or as required by local codes. Allow sufficient slack in wiring so dryer can be moved from its normal location when necessary.
- The power cord (pigtail) connection between wall receptacle and dryer terminal block **IS NOT supplied with dryer.** Type of pigtail and gauge of wire must conform to local codes and with instructions mentioned on the following pages.

The method of wiring the dryer is optional and subject to local code requirements. See examples below.

**NOTE:** The power cord (pigtail) is **NOT** supplied with the electric dryer. Type of pigtail and gauge of wire must conform to local codes and instructions.

The method of wiring the dryer is optional and subject to local code requirements.

**NOTE:** Connect the dryer to the power supply with the **MAXIMUM RATED VOLTAGE** listed on the nameplate.

A typical 30-Amp Three-wire Receptacle NEMA Type 10-30R

**NOTE:** Use **COPPER WIRE** only.  
Shorter than 15' (4.5 m) use 10 A.W.G.  
Longer than 15' (4.5 m) use 8 A.W.G.

D003IE3A

## (Three-Wire Power Cord)



### WARNING

The dryer is grounded to neutral conductor at the terminal block. If local codes do not permit grounding through the neutral, proceed as shown on *Four Wire Connection* instructions.

W174

To reduce the risk of electric shock, disconnect the electrical service to the dryer before proceeding.

W135

1. Remove the screw and terminal block access cover from the rear of the dryer cabinet.
2. Insert ends of direct wire through power supply hole (containing proper strain relief) in rear of dryer cabinet. See following page. Connect the power cord, or direct wiring, to the appropriate terminal block terminals using the **three wire-binding screws from the accessories pack in the envelope shipped inside the dryer cylinder**. If the dryer had previously

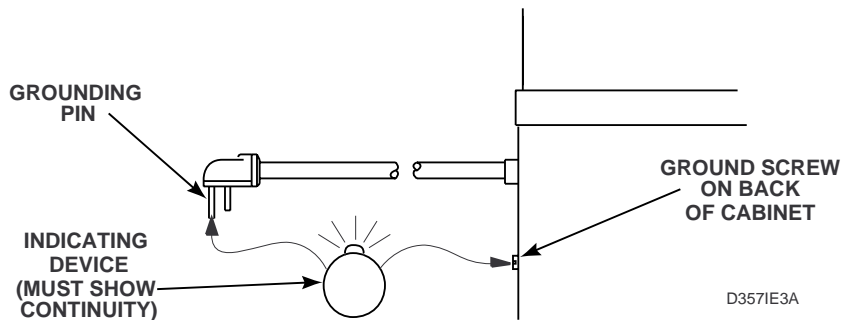
been connected with a four-wire power cord, remove the four-wire power cord by reversing procedures under *Four-Wire Power Cord* instructions.

**IMPORTANT:** Use only a U.L. listed No. 10 AWG (copper wire only) three conductor power supply cord kit rated 240 Volts (minimum) 30 Amperes and labeled as suitable for use in a clothes dryer.

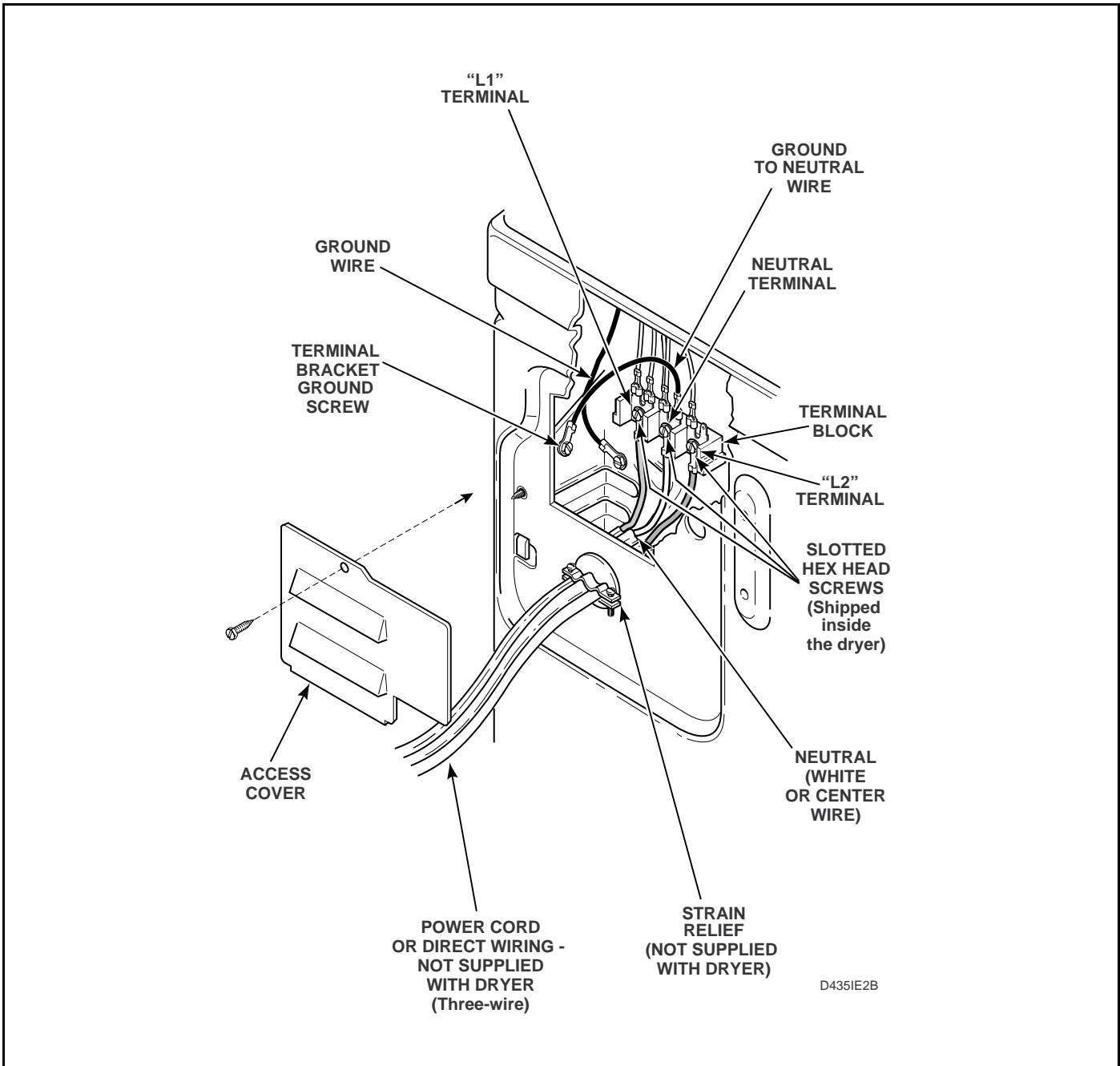
3. Tighten these wire-binding screws firmly.

**IMPORTANT:** Failure to tighten these screws firmly may result in wire failure at the terminal block.

4. Secure the strain relief to the power cord, or wires, where they enter the dryer cabinet.
5. Check the continuity of the ground connection before plugging the cord into an outlet. Use an acceptable indicating device connected to the center grounding pin of the plug and the ground screw on the back of the cabinet.
6. Reinstall access cover and screw.



## Three-Wire Connection



### WARNING

Dryer unit is shown with the access cover removed for illustration purposes only. To reduce the risk of an electric shock, **NEVER** operate the dryer unit with the access cover removed.

W150



## (Four-Wire Power Cord)

**IMPORTANT:** Use only a U.L. listed No. 10 AWG (copper wire only) four conductor power supply cord kit rated 240 Volts (minimum) 30 Amperes and labeled as suitable for use in a clothes dryer.

**NOTE:** The power cord is not supplied with the dryer when the dryer is shipped from the factory, therefore, disregard steps 2 and 3 below when connecting a four-wire power cord to a new dryer.

If the dryer has a three-wire cord attached, then complete steps 1 through 12.



### WARNING

To reduce the risk of electrical shock, disconnect the electrical power to the dryer before proceeding.

W137

1. Remove the screw holding the access plate to the rear of the dryer cabinet.
2. Remove the three screws holding the three wires to the terminal block terminals. **Save these screws.**
3. Loosen the strain relief screw and pull the cord or wires out through the rear of the dryer.
4. Remove the terminal bracket ground screw holding the ground wire to the terminal block mounting bracket. **Save the screw.**

**NOTE: ON NEW DRYERS, this is the ground wire that goes from the neutral (center) terminal on the terminal block to the mounting bracket.**

5. Route the end of the four-wire power cord through the strain relief. **DO NOT** tighten the strain relief screws at this time.
6. Insert the end of power cord and strain relief through the hole in the rear of the dryer cabinet. Install the strain relief nut from the inside of the cabinet and tighten firmly.
7. Attach the green ground wire (from the four-wire power cord) to the terminal block mounting bracket using the hex head screw removed in step 4. Tighten the screw firmly.

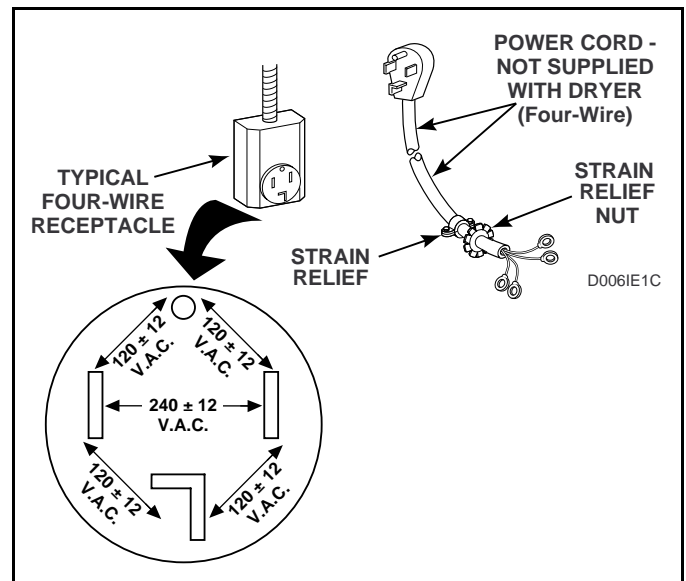
8. Using the **three wire-binding** (10-32x3/8") screws from the accessories envelope located inside the cylinder (unless the screws were previously removed in step 2), attach the power cord wires to the terminal block terminals as follows:

- a. Red to Red
- b. Black to Black
- c. White to White (see NOTE below)

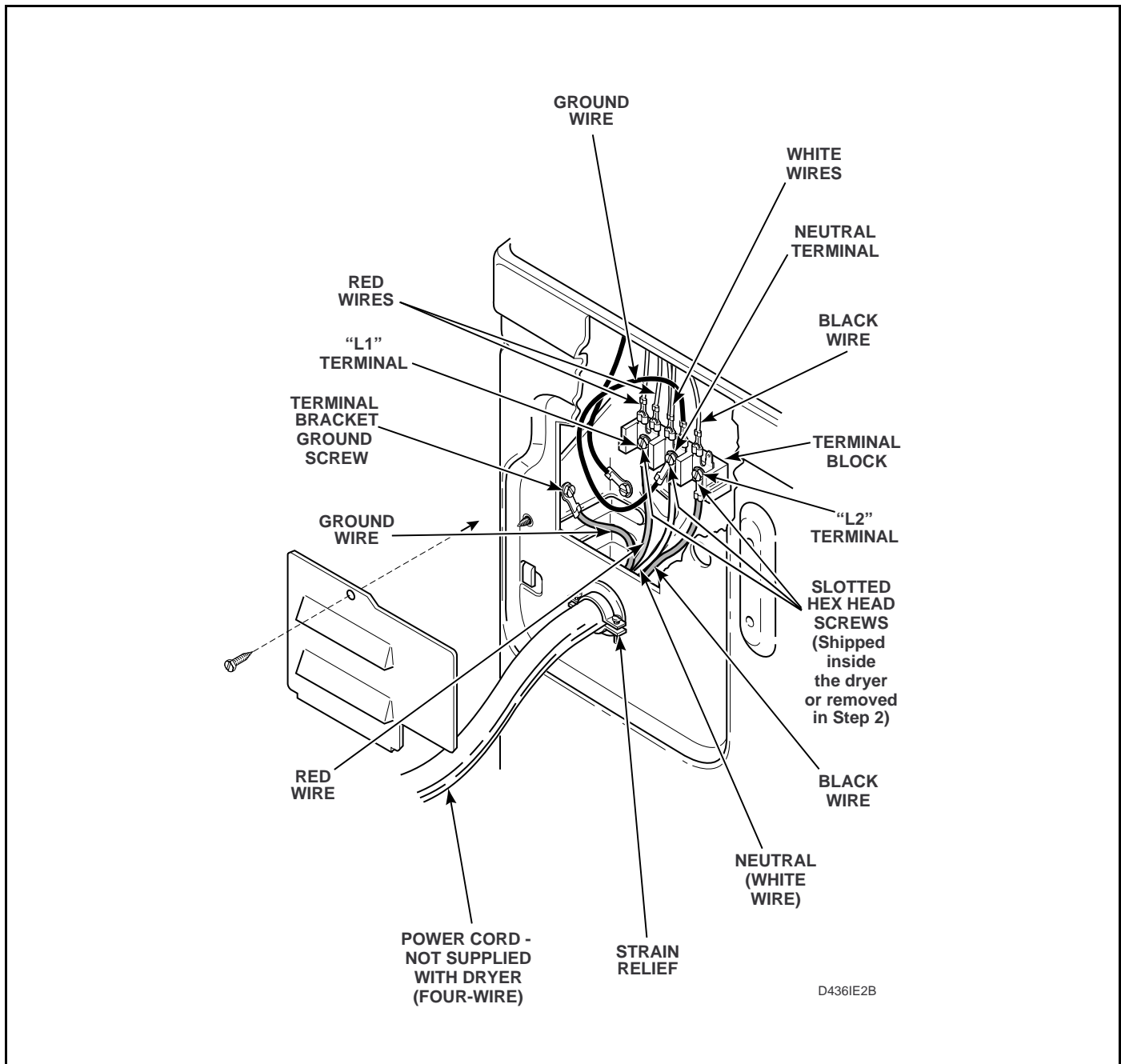
**NOTE:** When installing the white wire, loop the free eyelet end of the ground wire (from step 4) and place it together with the white wire and attach both wires to the neutral (center) terminal on the terminal block. See following page.

**IMPORTANT:** Failure to tighten the nuts firmly on the terminal block may result in power cord wire failure.

9. Tighten the two strain relief screws to secure the power cord.
10. Recheck all screws to be sure they are tight.
11. Check the continuity of the ground connection before plugging the cord into an outlet. Use an acceptable indicating device connected to the center grounding pin of the plug and the green screw on the back of the cabinet. See illustration on following page.
12. Reinstall the access plate and screw to the rear of the dryer cabinet.



## Four-Wire Connection




### WARNING

Dryer unit is shown with the access cover removed for illustration purposes only. To reduce the risk of an electric shock, **NEVER** operate the dryer unit with the access cover removed.

W150

# Gas Dryer Electrical Requirements . . . (120 Volt, 60 Hertz, With 3-Prong Grounding Plug)

NOTE: The wiring diagram is located behind the control panel, inside the control cabinet.




## WARNING

To reduce the risk of fire, electric shock or personal injury, all wiring and grounding **MUST** conform with the latest edition of the National Electrical Code ANSI/NFPA 70 or the Canadian Electrical Code, CSA C22.1, and such local regulations as might apply. It is the customer's responsibility to have the wiring and fuses checked by a qualified electrician to make sure the laundry room has adequate electrical power to operate the dryer.

W035

- The dryer is designed to be operated on a separate branch, polarized, three-wire, effectively grounded, 120 Volt, 60 Hertz, AC (alternating current) circuit protected by a **15 ampere fuse**, equivalent fusetrone or circuit breaker.
- The three-prong grounding plug on the power cord should be plugged directly into a polarized three-slot effectively grounded receptacle rated 120 Volts AC (alternating current) 15 Amps. See illustration below for determining correct polarity of the wall receptacle.




## WARNING

This dryer is equipped with a three-prong (grounding) plug for your protection against shock hazard and should be plugged directly into a properly grounded three-prong receptacle. Do not cut or remove the grounding prong from this plug.

W036

NOTE: A qualified electrician should check the polarity of the wall receptacles. If a voltage reading is measured other than that illustrated, the qualified electrician should correct the problem.

- DO NOT OPERATE OTHER APPLIANCES ON THE SAME CIRCUIT WHEN THIS APPLIANCE IS OPERATING. DO NOT OVERLOAD CIRCUITS!
- DO NOT operate both a washer and gas dryer on the same circuit. Use separately fused 15 Amp circuits.

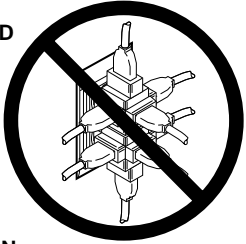


## WARNING

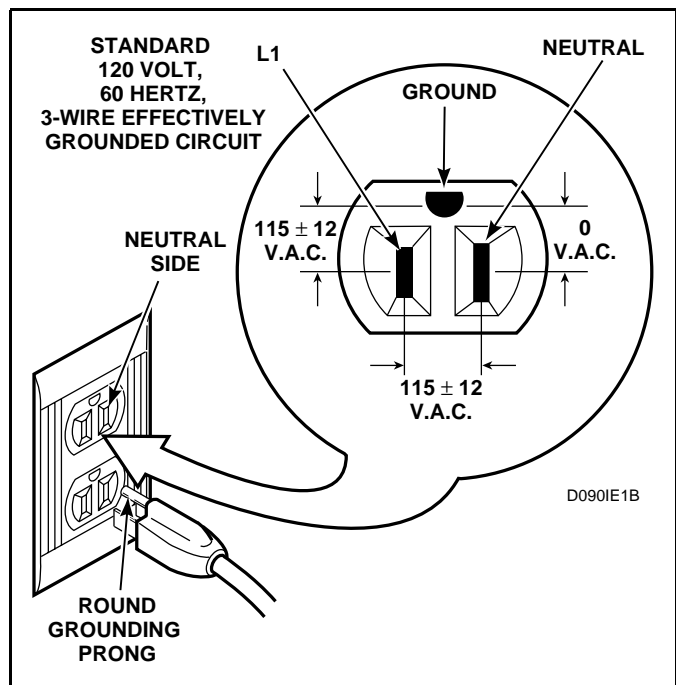
To reduce the risk of an electric shock or fire, **DO NOT** use an extension cord or an adapter to connect the dryer to the electrical power source.

W037

- DO NOT OVERLOAD CIRCUITS
- DO NOT USE AN ADAPTER
- DO NOT USE AN EXTENSION CORD



D0091E0C



## Grounding Instructions

- The dryer must be grounded. In the event of malfunction or breakdown, grounding will reduce the risk of electric shock by providing a path of least resistance for electric current. The dryer is equipped with a cord having an equipment-grounding conductor and a three prong grounding plug. The plug must be plugged into an appropriate outlet that is properly installed and grounded in accordance with all local codes and ordinances.

- **DO NOT** modify the plug provided with the dryer unit—if it will not fit the outlet, have a proper outlet installed by a qualified electrician.
- If the laundry room's electrical supply does not meet the above specifications and/or if you are not sure the laundry room has an effective ground, have a qualified electrician or your local electrical utility company check it and correct any problems.



### WARNING

**Improper connection of the equipment-grounding conductor can result in a risk of electric shock. Check with a qualified electrician or service person if you are in doubt as to whether the dryer is properly grounded.**

W038

# Gas Requirements . . .

## (Gas Dryers)

**NOTE:** The gas service to a gas dryer must conform with the local codes and ordinances, or in the absence of local codes and ordinances, with the latest edition of the National Fuel Gas Code ANSI Z223.1/NFPA 54 or the CAN/CGA-B149, National Gas Installation Code.

Natural Gas, 1,000 Btu/ft<sup>3</sup> (37.3 MJ/m<sup>3</sup>), service must be supplied at 6.5 ± 1.5 inch water column pressure.

For proper operation at altitudes above 2,000 feet (610 m) the natural gas valve spud orifice size must be reduced to ensure complete combustion. See table at right.

L.P. (Propane) Gas, 2,500 Btu/ft<sup>3</sup> (93.1 MJ/m<sup>3</sup>), service must be supplied at 10 ± 1.5 inch water column pressure.

**NOTE:** DO NOT connect the dryer to L.P. (Propane) Gas Service without converting the gas valve. A 458P3 L.P. (Propane) Gas Conversion Kit must be installed by the Manufacturer's Authorized Dealers, Distributors, or local service personnel.

**NOTE:** The dryer and its individual shut-off valve must be disconnected from the gas supply piping system during any pressure testing of that system at test pressures in excess of 1/2 psi (3.45 kPa).

The dryer must be isolated from the gas supply piping system by closing its individual manual shut-off valve during any pressure testing of the gas supply piping system at test pressures equal to or less than 1/2 psi (3.45 kPa)

**NOTE:** When connecting to a gas line, an equipment shutoff valve must be installed within 6' (1.8 m) of the dryer. An 1/8" N.P.T. pipe plug must be installed as shown. See illustration.



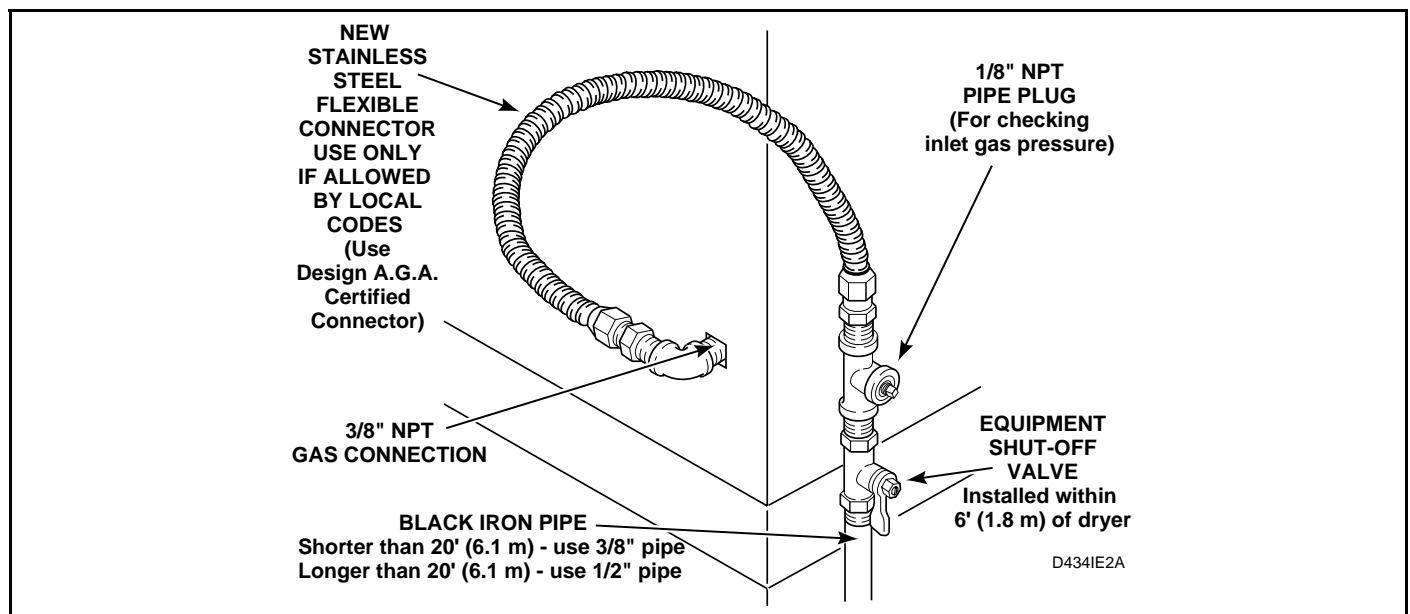
### WARNING

To reduce the risk of gas leaks, fire or explosion:

- The dryer must be connected to the type of gas as shown on nameplate located in the door recess.
- Use a new flexible stainless steel connector.
- Use pipe joint compound insoluble in LP (propane) Gas, or Teflon tape, on all pipe threads.
- Purge air and sediment from gas supply line before connecting it to the dryer. Before tightening the connection, purge remaining air from gas line to dryer until odor of gas is detected. This step is required to prevent gas valve contamination.
- Do not use an open flame to check for gas leaks. Use a non-corrosive leak detection fluid.

W114R1

Altitude		Orifice Size			Part Number
ft	m	#	Inches	mm	
2000	610	41	0.0960	2.44	503776
3000	915	42	0.0935	2.37	503777
5500	1680	43	0.0890	2.26	503778
7000	2135	44	0.0860	2.18	58719
9000	2745	45	0.0820	2.08	503779
10500	3200	46	0.0810	2.06	503780



# Location Requirements . . .

Select a location with a solid floor.

The unit must not be installed or stored in an area where it will be exposed to water and/or weather.

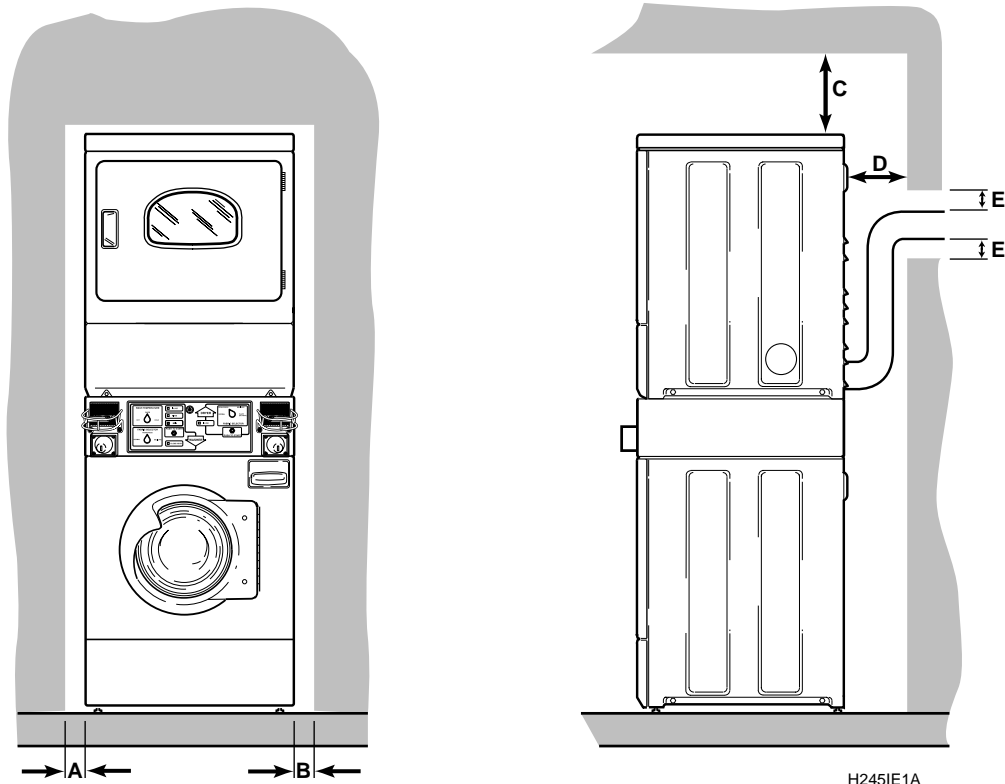
Leveling legs can be adjusted from inside the unit with a 9/16" deep well socket. All four legs must rest firmly on the floor so the weight of the unit is evenly distributed. The unit must not rock and must be level from side-to-side and front-to-back.

**IMPORTANT: Unless completely assembled, DO NOT slide the unit across the floor. DO NOT slide the unit more than four feet once the leveling legs have been extended, as the legs and the base could become damaged.**


The unit needs sufficient clearance and an adequate air supply for proper operation and ventilation, and for easier installation and servicing. (Minimum clearances are shown below.)

Dryer And Exhaust Duct Clearances		
Area	Description	Minimum Clearance
A	Left Dryer Side	0" (0 cm)
B	Right Dryer Side	1" (2.54 cm)
C	Dryer Top	6" (15.24 cm)
D	Dryer Rear	2" (5.1 cm)
E	Exhaust Duct Clearance to Combustible Materials	2" (5.1 cm)

**NOTE:** Shaded areas indicate adjacent structure.



# Dryer Exhaust Requirements . . .

	<b>WARNING</b>
<p>A clothes dryer produces combustible lint. To reduce the risk of fire and combustion gas accumulation the dryer <b>MUST</b> be exhausted to the outdoors.</p> <p style="text-align: right;">W116</p>	
<p>This gas appliance contains or produces a chemical or chemicals which can cause death or serious illness and which are known to the State of California to cause cancer, birth defects, or other reproductive harm. To reduce the risk from substances in the fuel or from fuel combustion, make sure this appliance is installed, operated, and maintained according to the instructions in this manual.</p> <p style="text-align: right;">W115</p>	
<p>To reduce the risk of fire and the accumulation of combustion gases, <b>DO NOT</b> exhaust dryer air into a window well, gas vent, chimney or enclosed, unventilated area, such as an attic, wall, ceiling, crawl space under a building or concealed space of a building.</p> <p style="text-align: right;">W045</p>	
<p>To reduce the risk of fire, <b>DO NOT</b> use plastic pipe or flexible plastic pipe to exhaust the dryer.</p> <p style="text-align: right;">W041</p>	

Never install flexible duct in concealed spaces, such as a wall or ceiling.

## Exhaust System Materials

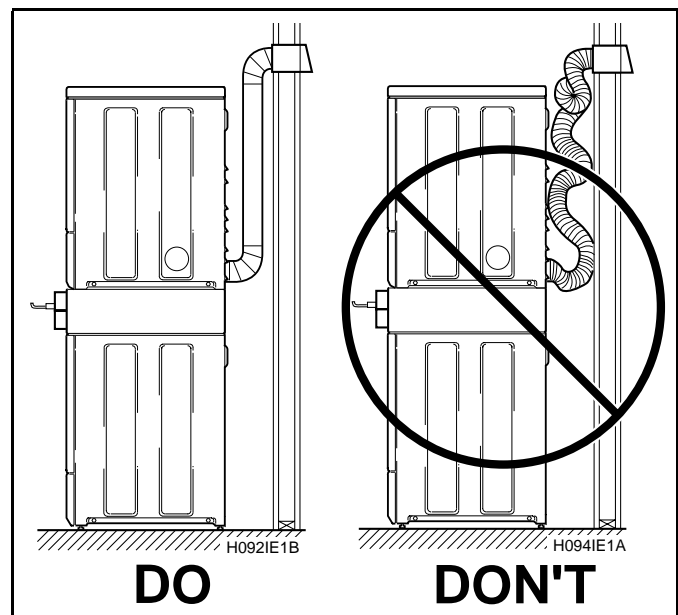
Exhaust system materials are not supplied with the unit.

Exhaust duct must be four inches (10.2 cm) in diameter having no obstructions. Rigid metal duct is recommended. Non-combustible semi-rigid flexible metal duct is acceptable. **Do not use** plastic pipe or flexible plastic pipe, because it contributes to poor drying performance and collects lint, which can lead to a fire hazard.

**DO NOT** use sheet metal screws on exhaust pipe joints or other fastening means which extend into the duct that could catch lint and reduce the efficiency of the exhaust system. Secure all joints with duct tape.

DESCRIPTION	KIT P/N	MAY BE OBTAINED LOCALLY
Exhaust Duct (4" Dia.)	Not Available	Yes
Flexible Metal Duct (4" Dia.)	521P3	Yes
Weather Hoods, with hinged dampers (4")	Not Available	Yes
Directional Exhaust Kit	528P3	No
Tape	Not Available	Yes

**NOTE:** Kits described above are optional exhaust system materials available at extra cost.



## Make-Up Air Requirements

A dryer exhausts 214 cfm (measured at back of dryer) and sufficient make-up air must be supplied to replace air exhausted by dryer.

An unobstructed opening of at least 40 square inches (260 cm<sup>2</sup>) of outdoor make-up air **MUST** be provided for dryer. Protective louvers in the opening to the outdoors can reduce air movement approximately 35 to 40 percent. Be sure the opening is large enough to compensate for any louvers.

If it is necessary to duct make-up air to the dryer, increase the area of the ductwork by 25 percent to compensate for any reduction in air movement. In addition, the make-up air duct should extend down to within approximately two feet from the floor, directly behind the dryer.

## Exhaust System

**IMPORTANT:** Keep exhaust duct as short as possible.

**NOTE:** Be certain old ducts are cleaned before installing your new unit.

For best drying results, recommended maximum length of exhaust system is shown below.

To prevent backdraft when dryer is not in operation, outer end of exhaust pipe must have a weather hood with hinged dampers (obtain locally).

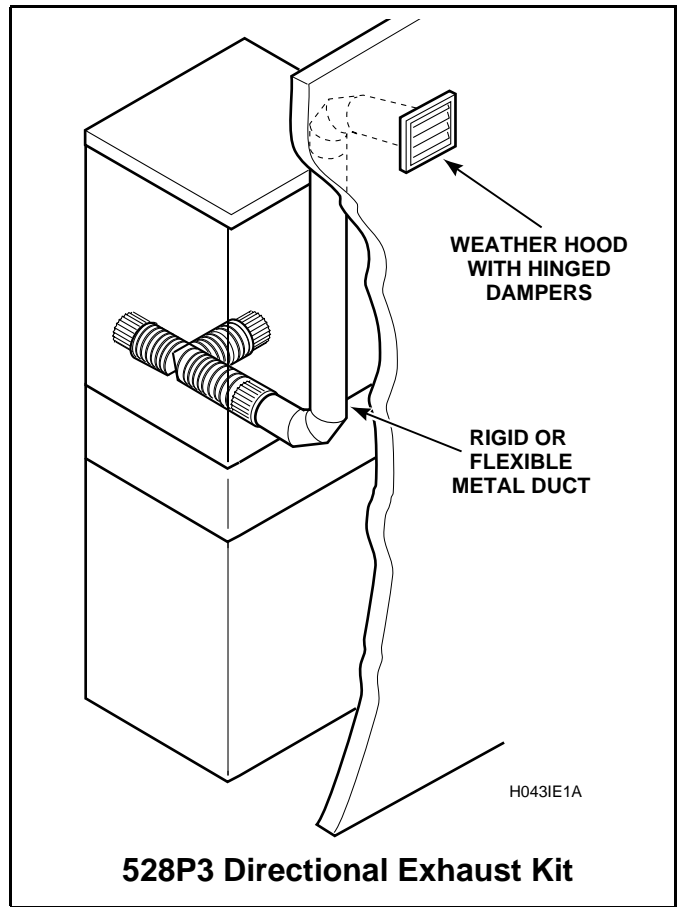
**NOTE:** Weather hood should be installed at least 12 inches (30.5 cm) above the ground. Larger clearances may be necessary for installations where heavy snowfall can occur.

## Exhaust Direction

The dryer can be exhausted to the outdoors through the back, left or right of the dryer. **EXCEPTION:** Gas dryers cannot be vented out the left side because of the burner housing.

Unit is shipped from factory ready for rear exhaust; **no kits required.**

Exhausting the dryer through sides can be accomplished by installing a Directional Exhaust Kit 528P3 available as optional equipment at extra cost.



Number of 90° Elbows	Weather Hood Type	
	Recommended	Use only for short run installations
	<p style="text-align: center;">D011IE2D</p>	<p style="text-align: center;">D011IE2E</p>
	<b>Maximum length of 4" (10.2 cm) diameter rigid metal duct.</b>	
0	44 feet (13.4 m)	34 feet (10.4 m)
1	34 feet (10.4 m)	26 feet (7.9 m)
2	26 feet (7.9 m)	20 feet (6.1 m)
3	20 feet (6.1 m)	14 feet (4.3 m)
	<b>Maximum length of 4" (10.2 cm) diameter flexible metal duct.</b>	
0	24 feet (7.3 m)	20 feet (6.1 m)
1	20 feet (6.1 m)	16 feet (4.9 m)
2	16 feet (4.9 m)	12 feet (3.7 m)
3	12 feet (3.7 m)	8 feet (2.4 m)

**NOTE:** Deduct 6 feet (1.8 m) for each additional elbow.



## Exhaust System Maintenance

The dryer interior and the complete exhaust system should be inspected after one year of use and cleaned if necessary. Inspect and clean exhaust duct every one to two years as required thereafter. The weather hood should be checked frequently to make sure the dampers move freely, dampers are not pushed in and that nothing has been set against them. This maintenance work should be done by a qualified service person.

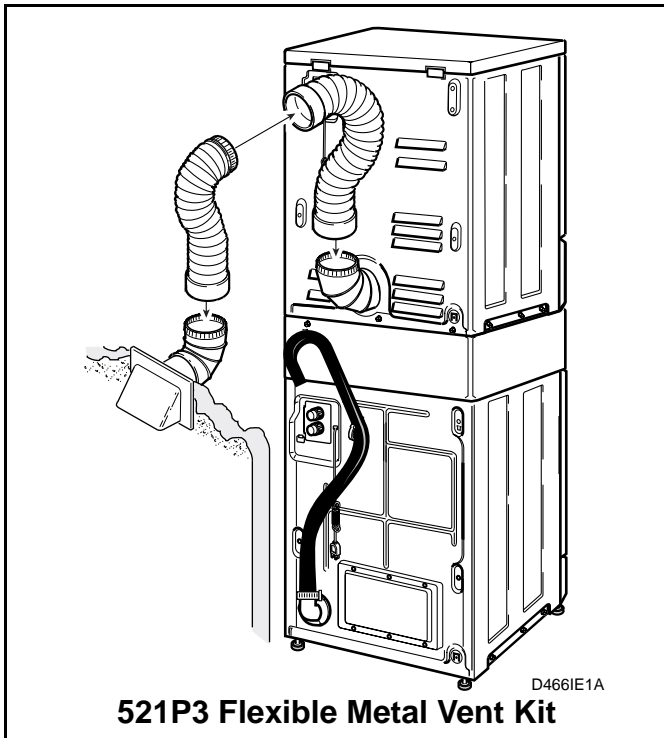


### WARNING

To reduce the risk of electric shock, disconnect the electrical service to the dryer before cleaning.

W043

Exhausting the dryer in hard-to-reach locations can be accomplished by installing the 521P3 Flexible Metal Vent Kit, available as optional equipment at extra cost. The kit comes in two halves that can be separately attached to the dryer and wall outlet. Once attached, the unit can be slid back into position.

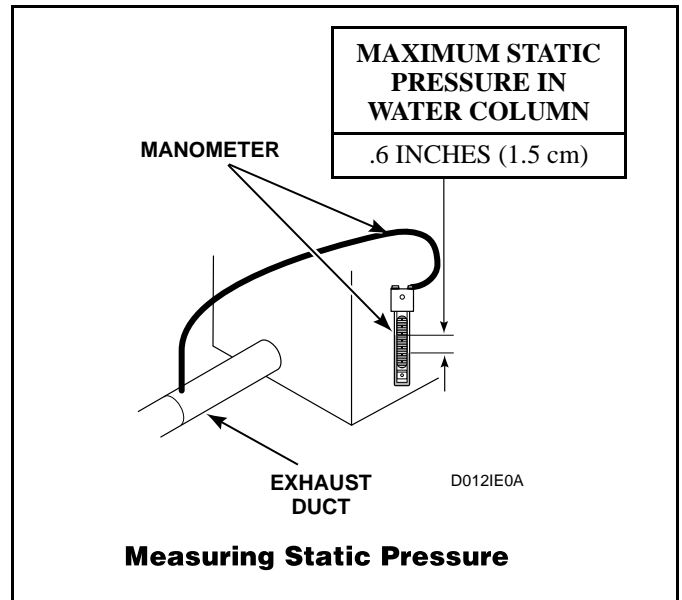


## Dryer Airflow

Efficient dryer operation requires proper dryer airflow. Proper dryer airflow can be evaluated by measuring the static pressure.

Static pressure in the dryer's exhaust duct should be no greater than that shown in the chart below. (Check with dryer running and no load.)

**NOTE:** This can be measured with a manometer placed on the exhaust duct approximately two feet (61 cm) from the dryer, see illustration below.



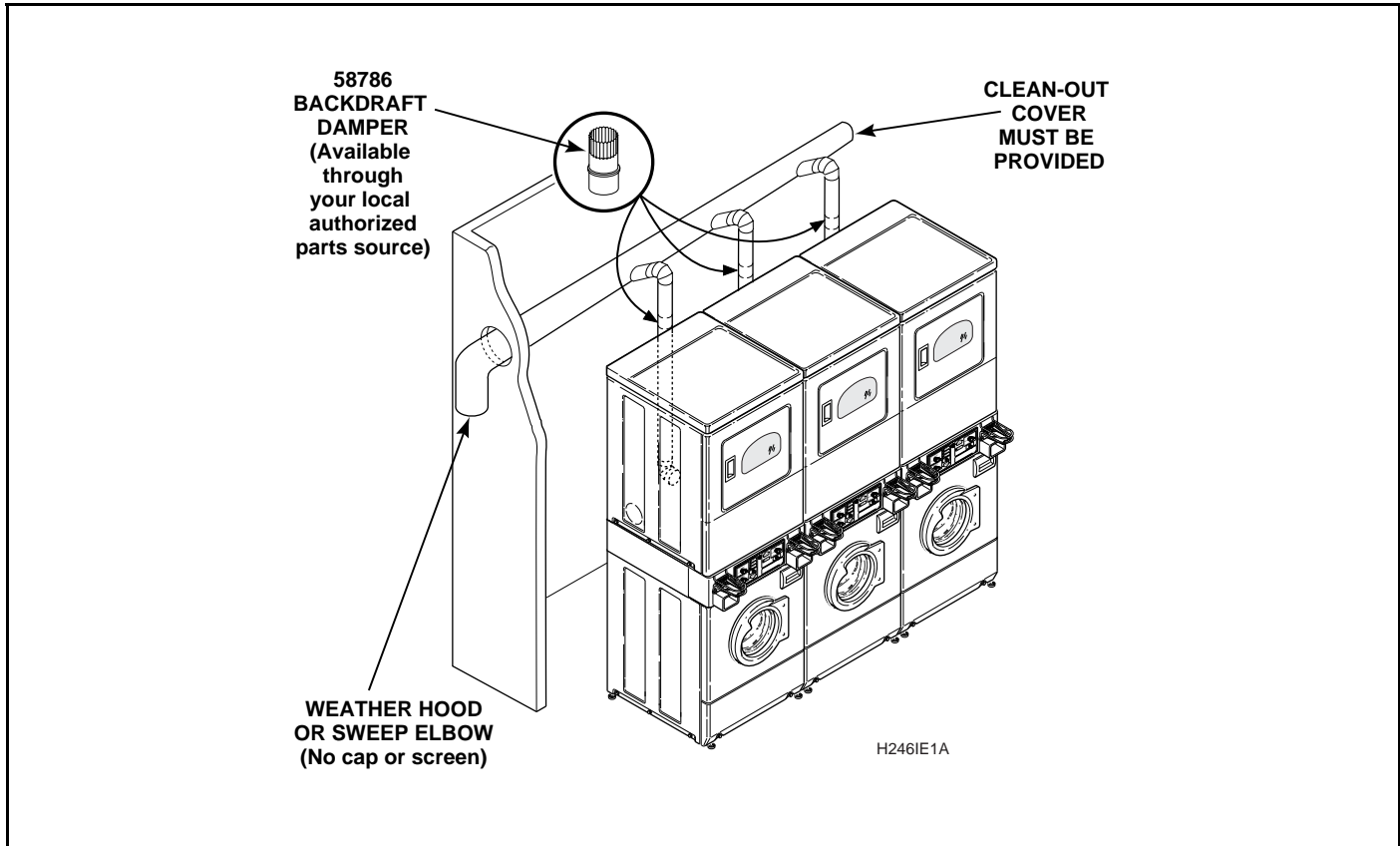
## Reduced Clearance Elbow

Installing the dryer in shallow closets can be accomplished by using an Elbow, Part No. 62688, which is one inch narrower than a standard venting elbow.



# Multi-Dryer Installation Exhaust Requirements . . .

- The illustration below shows a typical example of a multiple dryer installation. Note how each dryer has its own exhaust system vented to the central exhaust duct.

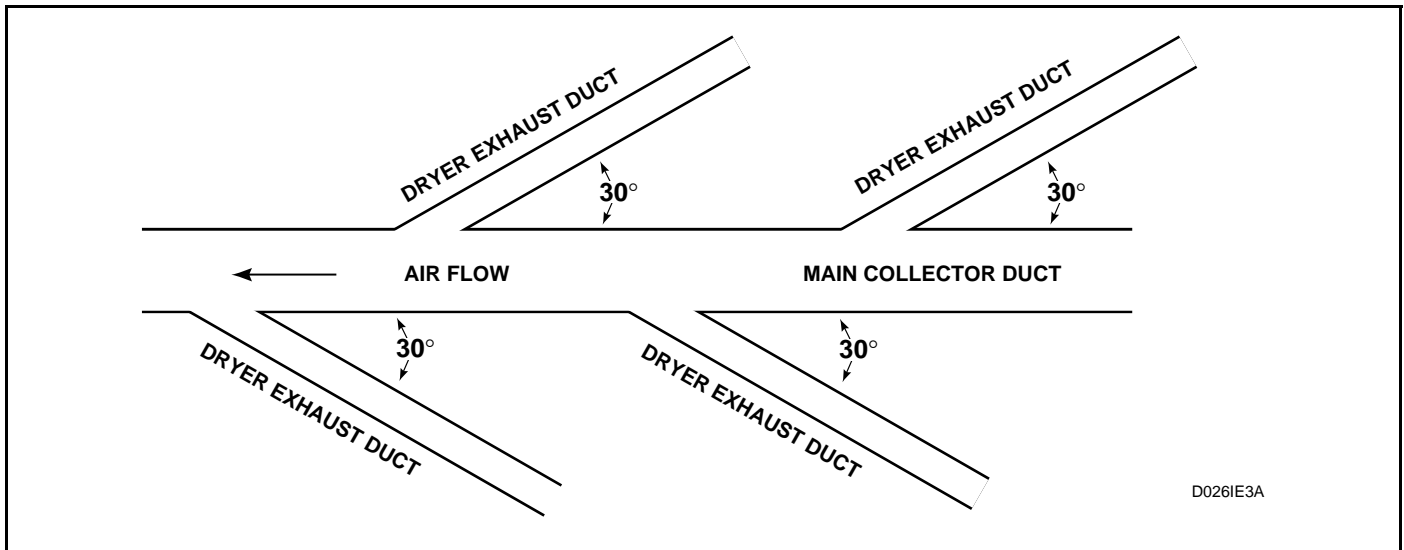


**IMPORTANT:** Static pressure in dryer's exhaust duct should be no greater than that shown in the chart on Page 31. This can be measured with a manometer placed on the exhaust duct approximately two feet (61 cm) from the dryer. See Page 31. All dryers connected to the main collector duct should be in operation when pressure is checked.

Installing an exhaust system does not eliminate the necessity of cleaning the dryer lint filter before each load. The dryer interior and the complete exhaust system should be cleaned periodically by a qualified service person to remove any lint build-up.

	<b>WARNING</b>
To reduce the risk of electric shock, disconnect the electrical service to the dryer before cleaning.	
W043	

- Dryer exhaust duct should enter the main duct at an angle of no more than 30° pointing in the direction of the air flow. Ducts entering the main duct from opposite sides should be staggered so as not to oppose each other. See illustration below.



- Provisions should be made for periodic lint removal and cleaning of the main collector duct.
- The outside end of the main duct should have a weather hood (with hinged dampers) installed to prevent passage of weather elements, insects, dust, and dirt into the dryer.
- If a weather hood cannot be used, the outside end of the main duct should have a sweep elbow installed, and be directed downward as shown on the following page. If the main duct travels vertically through a roof rather than through a wall, install 180° sweep elbow on the end of the duct with outlet at least 24 inches (61 cm) above the highest part of the building.

- Sufficient make-up air must be supplied to replace air exhausted from dryer.

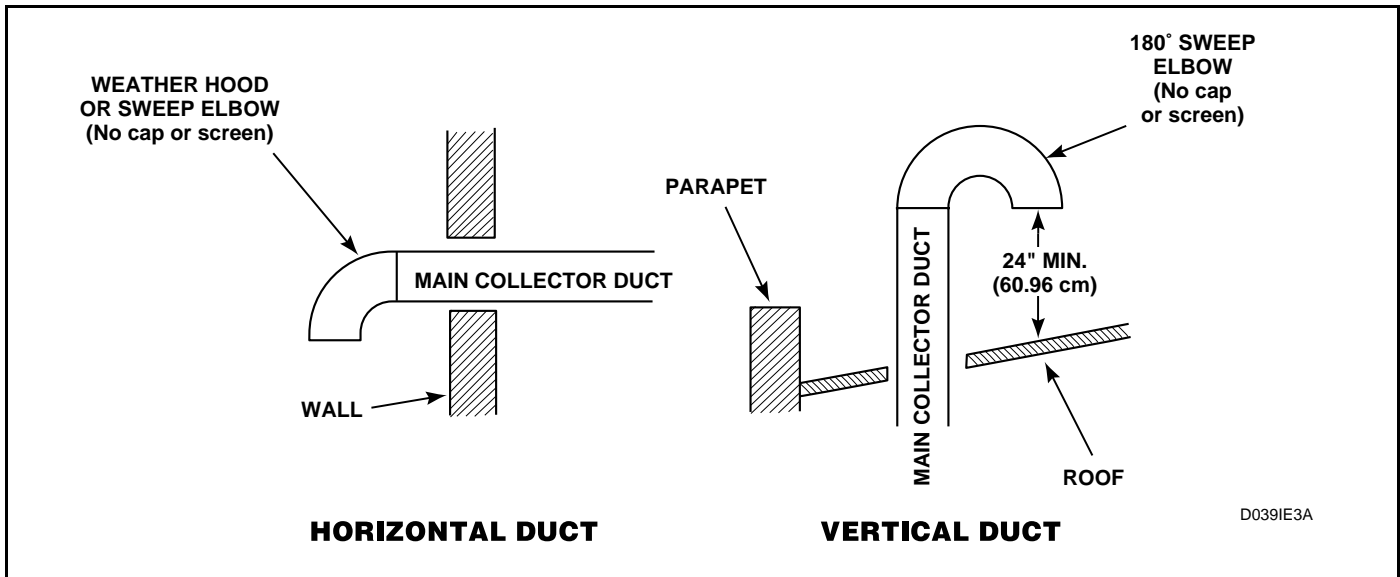
**NOTE: Where the exhaust duct pierces the wall or ceiling, an opening having a diameter of 4 inches (10.2 cm) larger than the diameter of the exhaust duct shall be provided, and the exhaust duct centered within the opening.**

- Damper, Part No. 58786, should be installed in dryer's exhaust system. This will prevent a backdraft when dryer is not in use, and will keep the exhaust air in balance within the central exhaust system.

**IMPORTANT: Provisions must be made for make-up air.**

**IMPORTANT: If several dryers are exhausted into a main collector duct, it is essential that ductwork be adequate in size and properly constructed for efficient operation.**

	<b>WARNING</b>
<p><b>To reduce the risk of fire and the accumulation of combustion gases, DO NOT exhaust dryer air into a window well, gas vent, chimney or enclosed, unventilated area, such as an attic, wall, ceiling, crawl space under a building or concealed space of a building.</b></p>	
W045	



D039IE3A

- Main collector duct should be sized according to specifications shown below.

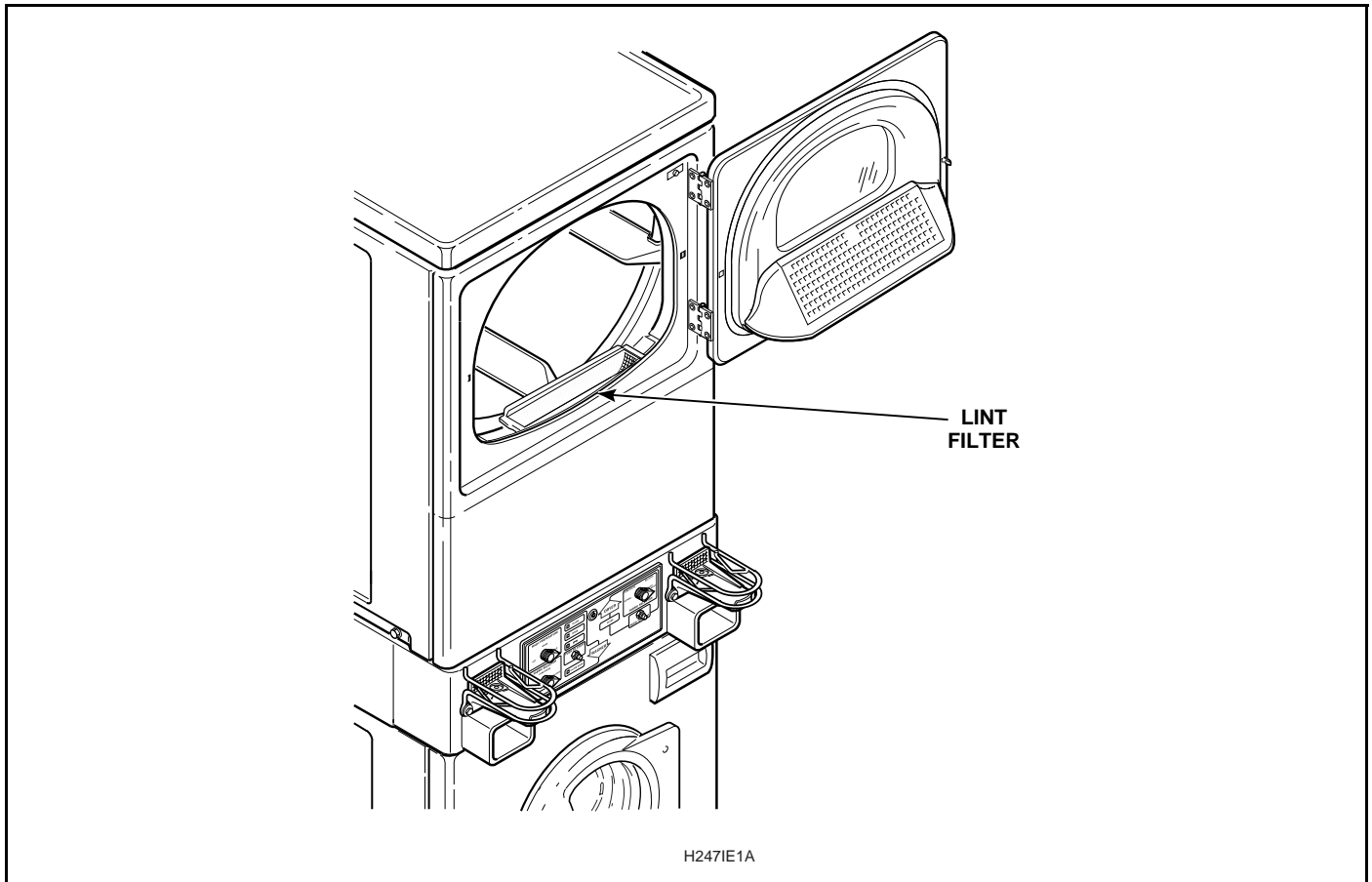
Number of Dryers	Minimum Diameter of Horizontal Collector Duct	Minimum Diameter of Vertical Collector Duct
2	7 inch (17.8 cm)	8 inch (20.3 cm)
3	8 inch (20.3 cm)	9 inch (22.9 cm)
4	9 inch (22.9 cm)	10 inch (25.4 cm)
5	10 inch (25.4 cm)	11 inch (27.9 cm)
6	11 inch (27.9 cm)	12 inch (30.5 cm)
7	12 inch (30.5 cm)	13 inch (32.6 cm)
8	12 inch (30.5 cm)	14 inch (35.6 cm)
9	13 inch (32.6 cm)	15 inch (38.1 cm)
10	14 inch (35.6 cm)	15 inch (38.1 cm)
11	14 inch (35.6 cm)	16 inch (40.6 cm)

**NOTE: Main collector duct should be equipped with an auxiliary fan that can maintain the duct airflow at a minimum of 1200 feet (366 m) per minute. If you do not have a fan, clean the main collector duct at least twice a year.**

# Lint Filter . . .

CLEAN THE LINT FILTER BEFORE DRYING EACH LOAD. (Refer to illustration below for lint filter location.) Cleaning the lint filter is important because a layer or pad of lint on the filter will block the flow of air

through the dryer, thus reducing the efficiency of the dryer. The clothes will take longer to dry and energy will be wasted.



# Dryer Motor Overload Protector . . .

The motor overload protector stops the motor in the event of an overload. After cooling, the overload protector will reset itself. The dryer can be restarted by pressing the

PUSH-TO-START button. If the overload protector cycles again, remove the unit from use and call the service person to correct the problem.

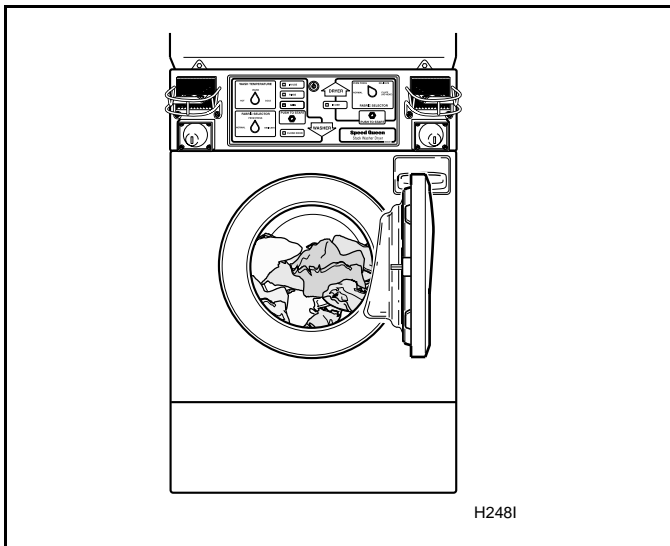
# Operation Instructions for Electromechanical Washers . . .

**IMPORTANT:** Prior to first wash, use an all-purpose cleaner, or a detergent and water solution, and a damp cloth to remove shipping dust from inside of washer drum.

## Step 1:

### Load Laundry

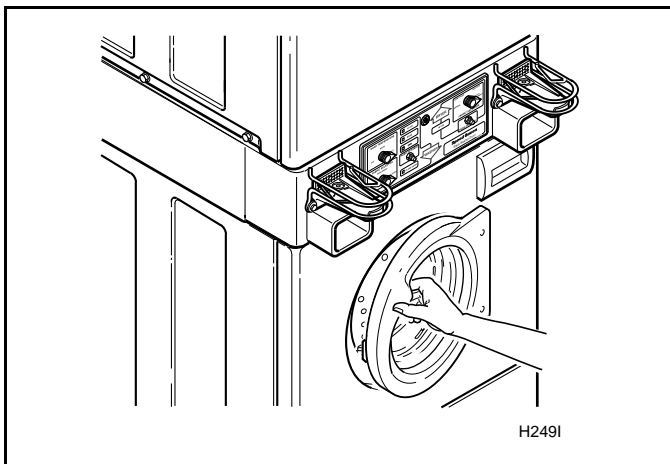
Load items loosely into wash drum.



## Step 2:

### Close Loading Door

Close loading door tightly. The washer will not operate with the loading door open.

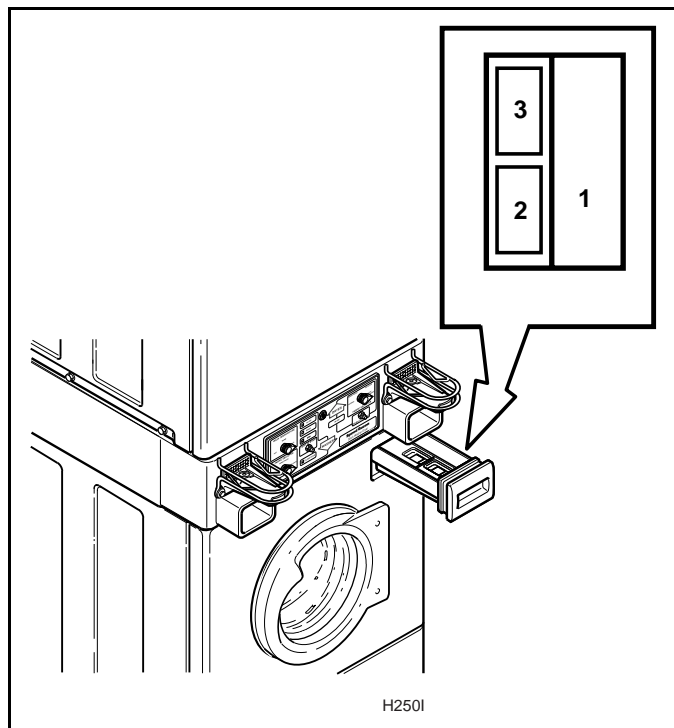
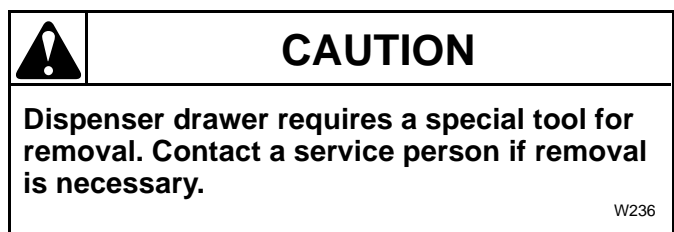


## Step 3:

### Add Laundry Supplies

Open dispenser drawer. Measure and add low sudsing detergent (1), bleach (2) and fabric softener (3) to the dispenser drawer (see illustration). Close dispenser drawer.

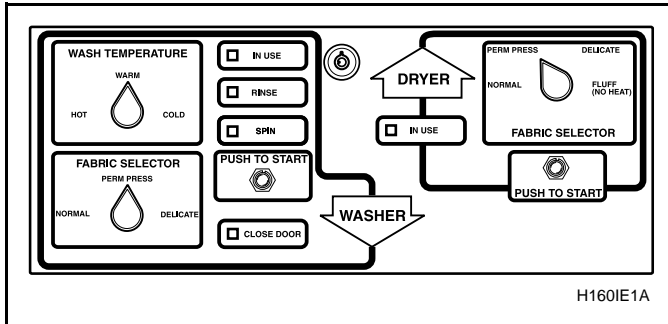
**IMPORTANT:** If using detergents made for topload washers, avoid oversudsing by using 1/2 of the recommended amount.



## Step 4:

### Determine Proper Controls for Washer

The direction of the arrow indicates which controls are for the washer.

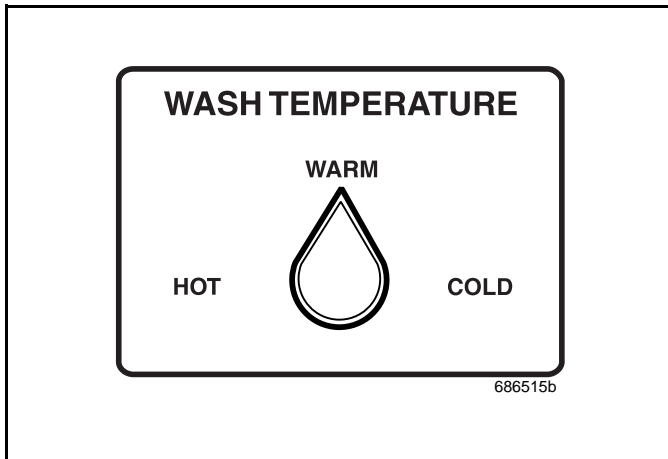


## Step 5:

### Set WASH/RINSE Temperatures

Set at **HOT** (COLD rinse), **WARM** (COLD rinse) or **COLD** (COLD rinse).

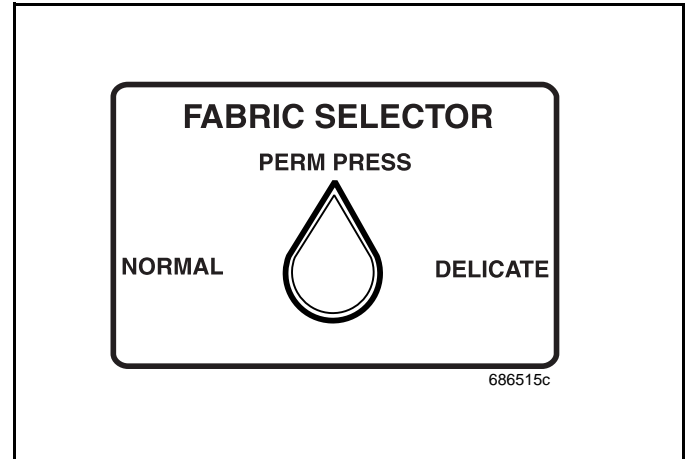
**NOTE: Always follow Manufacturer's care labels.**



## Step 6:

### Select Fabric Selector

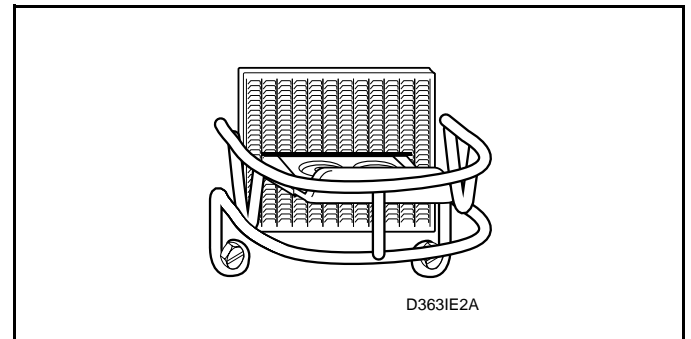
Set regular loads at **NORMAL** or **PERM PRESS**. Set delicate loads at **DELICATE**.



## Step 7:

### Insert Money

Place coin(s) in slide and carefully push in as far as possible and then pull slide out as far as possible. After **IN USE** light comes on (indicating start of cycle), press the **PUSH-TO-START** button.



## Indicator Lights

### IN USE Light:

This light will remain on while washer is in use.


### DOOR LOCKED Light:

This light will come on after the start button has been pushed and the washer door has locked. It will remain on until the wash cycle has ended.

### FINAL SPIN AND TUMBLE Light:

This light will come on at the start of the final spin and remain on until the wash cycle has ended.

**IMPORTANT: If washer fails to operate properly after installation, make sure electrical service and water supply faucets are turned on. Are all the controls properly set? Have a qualified serviceman refer to the wiring diagram (located inside of control cabinet), check for broken, loose or incorrect wiring.**

	<b>WARNING</b>
<b>To reduce the risk of bodily injury, do not remove laundry from washer until all lights are out, and all moving parts have stopped.</b>	
<small>W092</small>	

The washer will stop (pause) shortly before first spin and final spin.



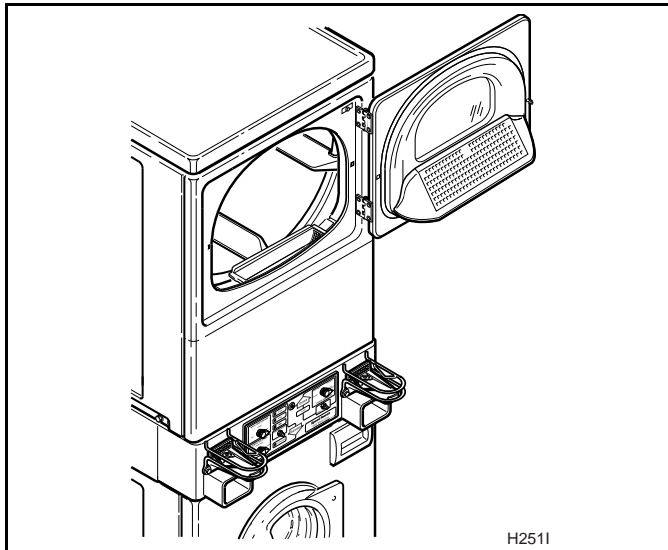
# Operation Instructions for Electromechanical Dryers . . .

**IMPORTANT:** Before using dryer for the first time, use an all-purpose cleaner, or a detergent and water solution, and a damp cloth to remove shipping dust from inside of dryer drum.

## Step 1:

### Clean Lint Filter

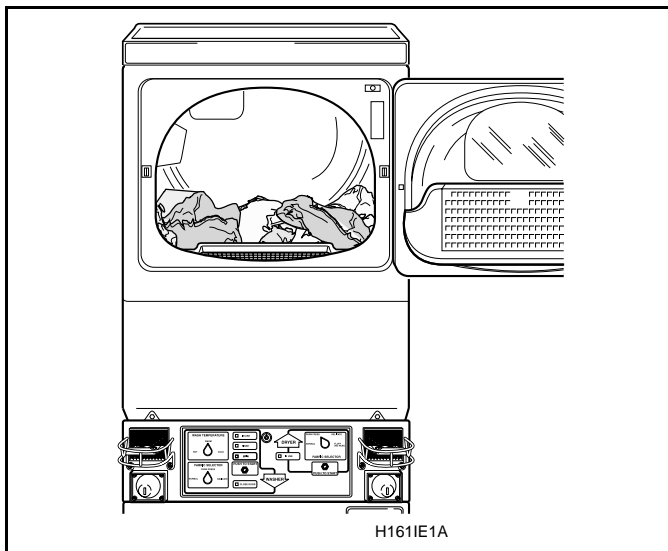
Clean lint filter before each use.



## Step 2:

### Load Laundry

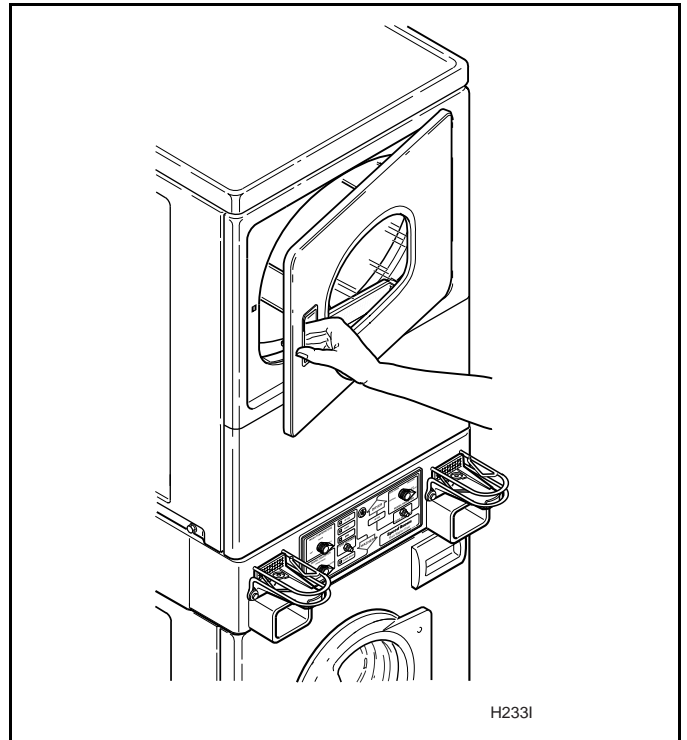
Load clothes loosely into dryer drum. Add fabric softener sheet if desired.



## Step 3:

### Close Loading Door

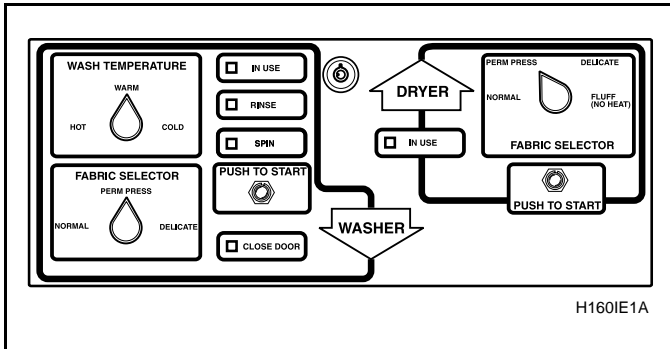
Close loading door. Dryer will not operate with the door open.



## Step 4:

### Determine Proper Controls for Dryer

The direction of the arrow indicates which controls are for the dryer.

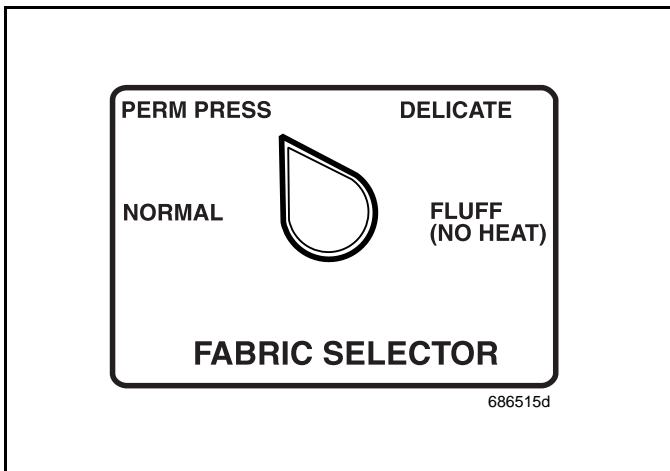


## Step 5:

### Set Fabric Selector

Select **NORMAL** for cottons, **PERM PRESS** for permanent press, **DELICATE** for sensitive items or **FLUFF (NO HEAT)** for items that require no heat.

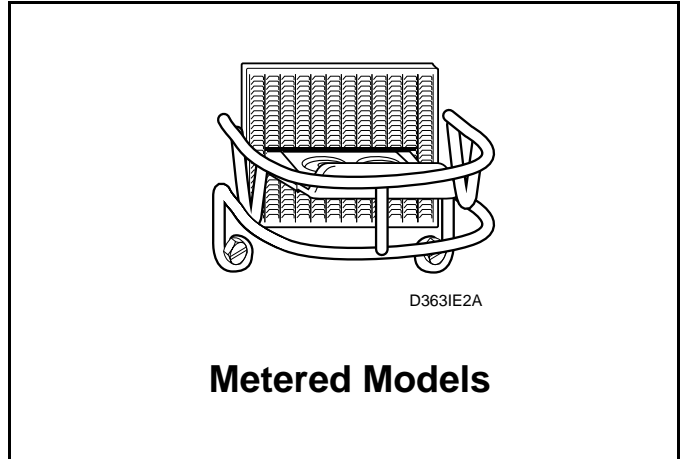
Always follow **Manufacturer's Care Label** instructions.



## Step 6:

### Start Dryer

Place coin(s) in slide and carefully push in as far as possible and then pull slide out as far as possible. After **IN USE** light comes on (indicating start of cycle), press the **PUSH-TO-START** button.



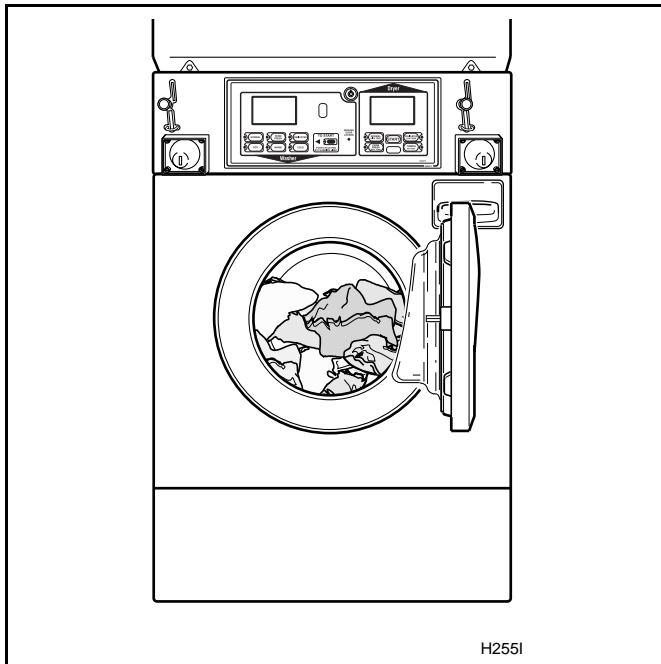
# Operation Instructions for Electronic Control Washers . . .

**IMPORTANT:** Prior to first wash, use an all-purpose cleaner, or a detergent and water solution, and a damp cloth to remove shipping dust from inside of wash drum.

## Step 1:

### Load Laundry

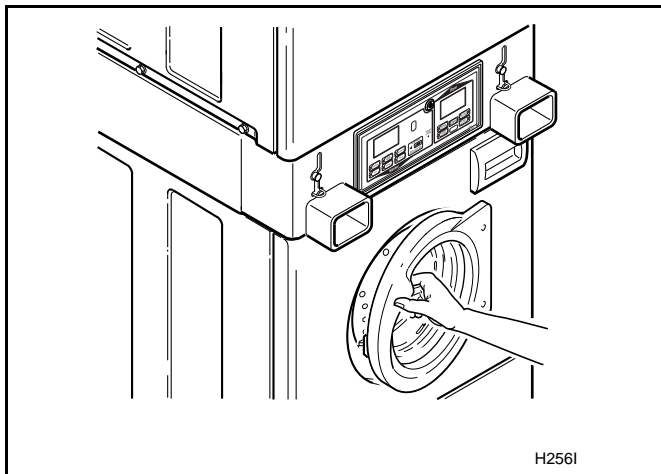
Load items loosely into wash drum.



## Step 2:

### Close Loading Door

Close loading door tightly. The washer will not operate with the loading door open.



## Step 3:

### Add Laundry Supplies

Open dispenser drawer. Measure and add low sudsing detergent (1), bleach (2) and fabric softener (3) to the dispenser drawer (see illustration). Close dispenser drawer.

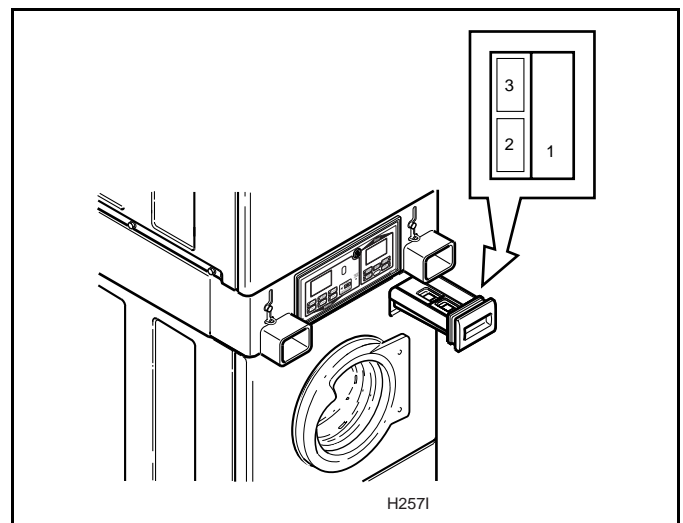
**IMPORTANT:** If using detergents made for topload washers, avoid oversudsing by using 1/2 of the recommended amount.



## CAUTION

Dispenser drawer requires a special tool for removal. Contact a service person if removal is necessary.

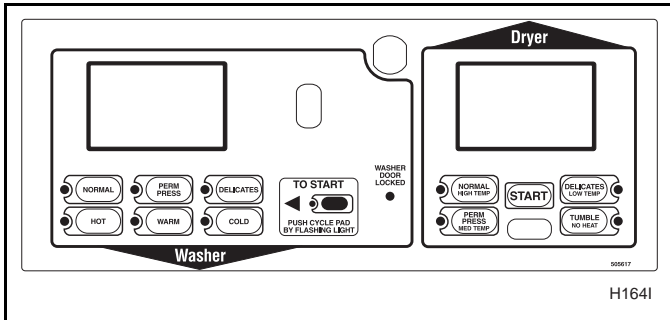
W236



## Step 4:

### Determine Proper Controls for Washer

The direction of the arrow indicates which controls are for the washer.

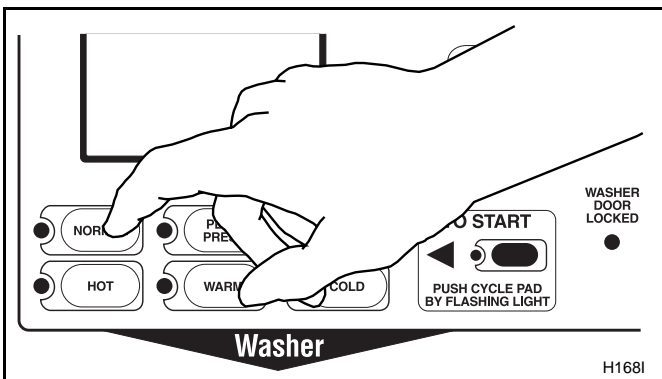


## Step 5:

### Set Fabric Selector:

Push touchpad for **NORMAL**, **PERM PRESS** or **DELICATE** cycles. Light indicates selection.

**NOTE: Changes can be made to Fabric Selector setting up until the first fill is complete.**

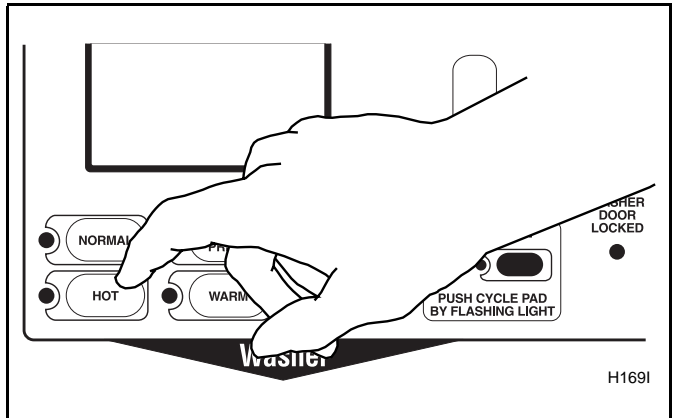


## Step 6:

### Set Wash Temperature

Push touchpad for **HOT**, **WARM** or **COLD**. Light indicates selection.

**NOTE: Always follow Manufacturer's care labels.**

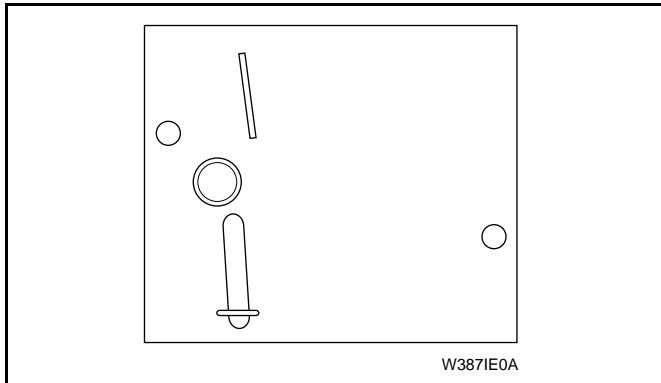


## Step 7:

### Insert Coin(s) or Card

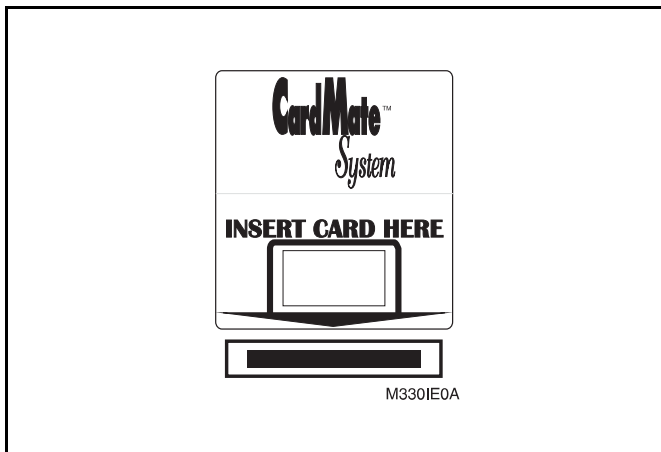
#### To Insert Money:

Check pricing as seen on digital display.



#### To Insert Card:

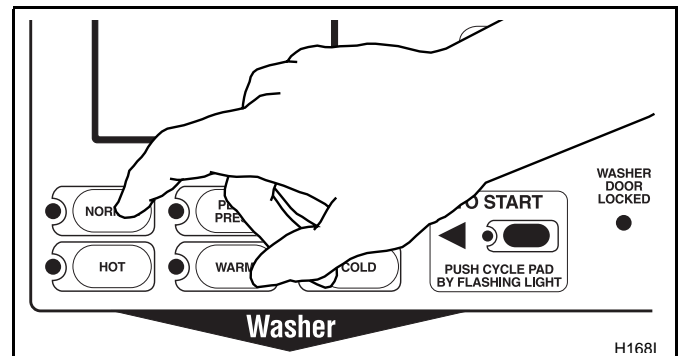
Insert card into opening. Follow directions on display. DO NOT REMOVE THE CARD UNTIL DISPLAY READS "Remove Card."



## Step 8:

### Start Washer

After vend price has been satisfied, the selected cycle pad will flash. Push flashing cycle pad to start washer. DOOR MUST BE CLOSED TO START WASHER.



## Indicator Lights

### **WASH:**

*WASH* is lit at the beginning of a Wash cycle and will remain lit until the wash cycle is complete.

### **RINSE:**

*RINSE* is lit at the beginning of the Rinse or Extra Rinse cycle and will remain lit until the cycle is complete.

### **SOAK:**

*SOAK* is lit at the beginning of the Wash Pause cycle and the display will light "WASH SOAK."

### **SPIN:**

*SPIN* is lit for all Spin cycles. During a Wash Spin cycle, the display will light "WASH SPIN." During a Rinse or Extra Rinse Spin Cycle, the display will light "RINSE SPIN." At the beginning of Final Spin, the display will light "SPIN."

### **PRICE:**

*PRICE* is lit to indicate that value displayed is the vend price remaining to be satisfied. Once the vend price is satisfied, the word "PRICE" will go off.

### **TIME REMAINING:**

*TIME REMAINING* is lit to indicate that the number displayed by two digits and the colon is the time remaining in the current cycle. It will light at the start of the cycle and remain lit until the cycle is completed.

### **WASHER DOOR LOCKED:**

*WASHER DOOR LOCKED* is lit whenever the door is locked. The door cannot be opened when this light is on.


### **INSERT COINS:**

*INSERT COINS* is lit to prompt the user to insert coins or card to satisfy the vend price. When *INSERT COINS* is lit, the three digits and decimal point show the vend price remaining to be satisfied.

### **UNBALANCE:**

*UNBALANCE* is lit and will flash after the cycle is complete when the washer fails to spin due to an unbalanced load.

**IMPORTANT: If washer fails to operate properly after installation, make sure electrical service and water supply faucets are turned on. Are all the controls properly set? Have a qualified serviceman refer to the wiring diagram (located inside of washer control hood), check for broken, loose or incorrect wiring.**

	<b>WARNING</b>
<b>To reduce the risk of bodily injury, do not remove laundry from washer until all lights are out, and all moving parts have stopped.</b>	
<small>W092</small>	

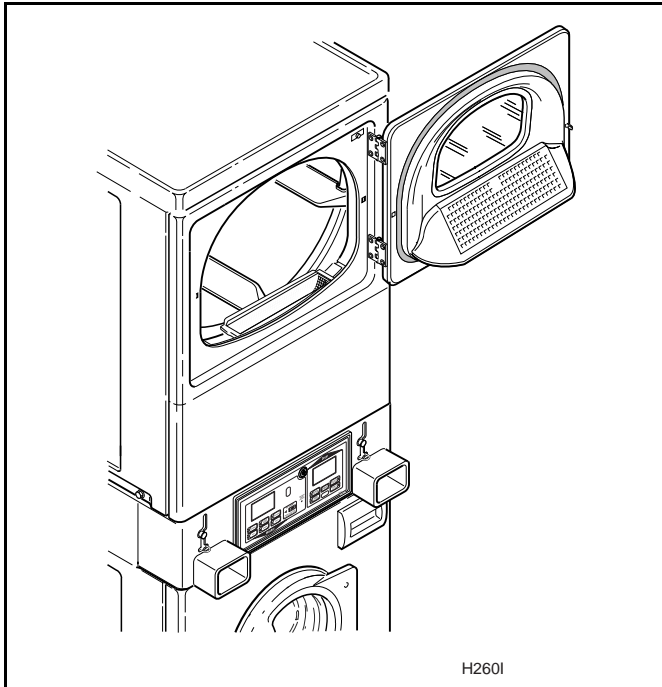
# Operation Instructions for Electronic Control Dryers . . .

**IMPORTANT:** Before using dryer for the first time, use an all-purpose cleaner, or a detergent and water solution, and a damp cloth to remove shipping dust from inside of dryer drum.

## Step 1:

### Clean Lint Filter

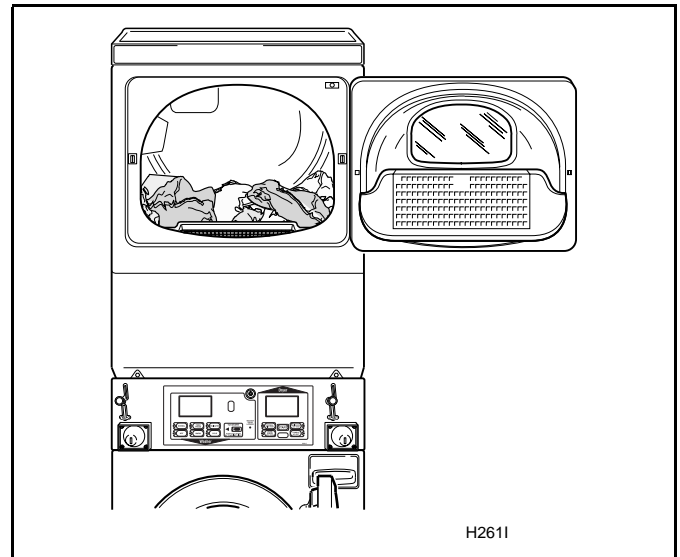
Clean lint filter before each use.



## Step 2:

### Load Laundry

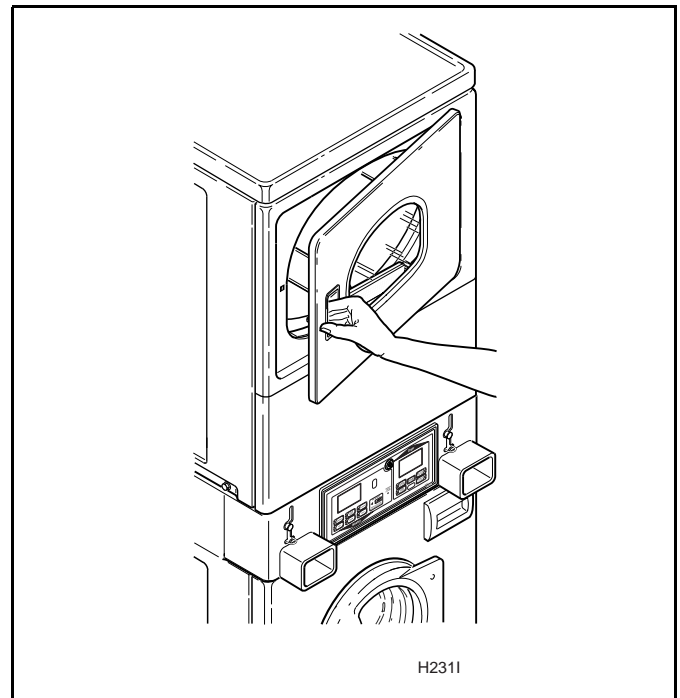
Load clothes loosely into dryer drum. Add fabric softener sheet if desired.



## Step 3:

### Close Loading Door

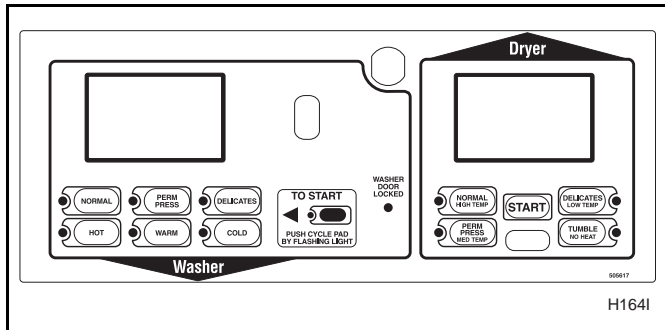
Close loading door. Dryer will not operate with the door open.



## Step 4:

### Determine Proper Controls for Dryer

The direction of the arrow indicates which controls are for the dryer.

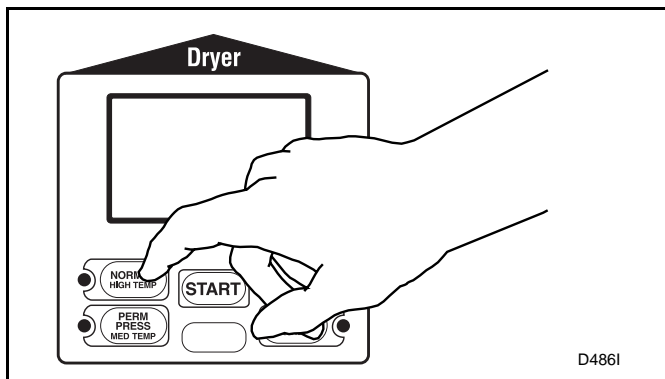


## Step 5:

### Set Fabric Selector

Select **NORMAL** (High Temp), **PERM PRESS** (Med Temp), **DELICATES** (Low Temp) or **TUMBLE** (No Heat) by pushing touchpad. Light indicates selection.

Always follow Manufacturer's care label instructions.

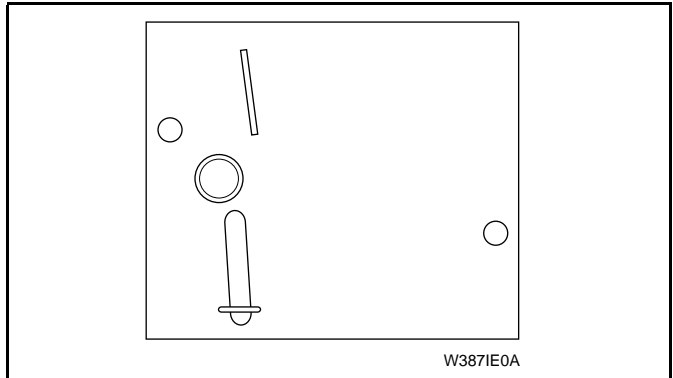


## Step 6:

### Insert Coin(s) or Card

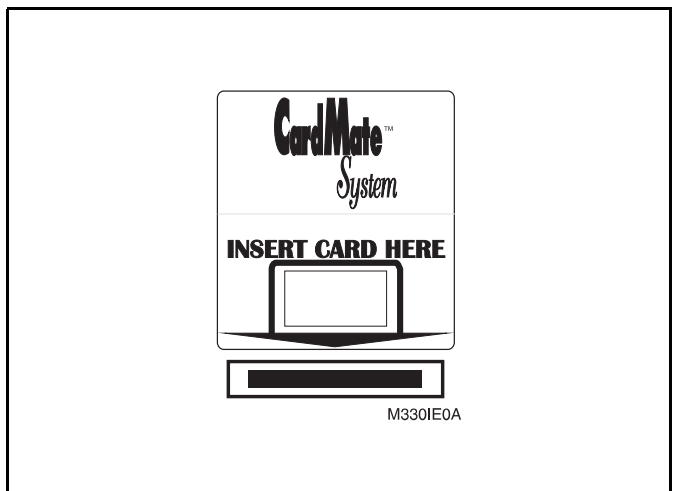
#### To Insert Money:

Insert coin(s) in coin slot. Check pricing as seen on digital display.



#### To Insert Card:

Insert card into opening. Follow directions on display. **DO NOT REMOVE THE CARD UNTIL DISPLAY READS "Remove Card."**



If Additional Time Feature is turned on, additional dryer time may be purchased at cycle start or while dryer is running.

Remove knits when slightly damp because overdrying may cause shrinkage. Do not tumble dry knit wools.



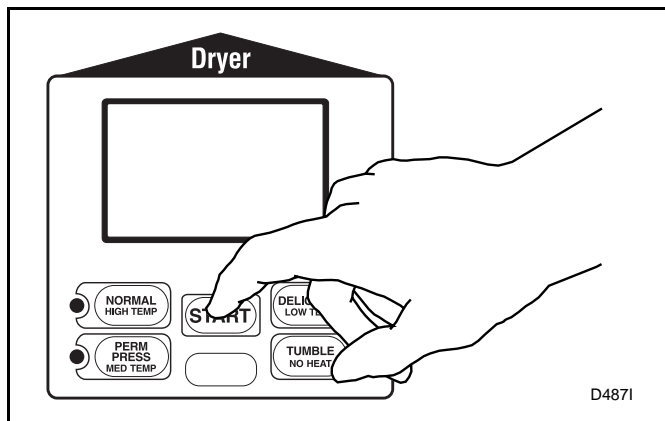
## Step 7:

### Start Dryer

To start dryer, push START pad.

To stop dryer at any time, open the door. To restart the dryer, close door and push START pad.

Cycle is completed when time remaining reaches 00 minutes.



## Indicator Lights

### **INSERT COINS**

*INSERT COINS* is lit to prompt the user to insert coins or card to satisfy the vend price for the chosen cycle. When *INSERT COINS* is lit, the three digits and decimal point will display the vend price remaining to be satisfied.

### **PUSH START**

*PUSH START* is lit whenever the dryer is not in a cycle, the full vend price has been satisfied and the dryer door is closed. When the *START* pad is pressed, the cycle will begin or resume. The *PUSH START* status word flashes at one-second intervals when activated.

### **DRYING**

*DRYING* is lit to indicate that one of the heated cycles (*HIGH TEMP*, *MED TEMP*, *LOW TEMP*) is currently in operation. The status word *DRYING* goes off at the end of a heated cycle or when the *COOL DOWN* cycle begins.

### **DOOR OPEN**

*DOOR OPEN* is lit and flashes at one-second intervals whenever the dryer door is open.

### **COOL DOWN**

*COOL DOWN* is lit whenever the *COOL DOWN* portion of a heated cycle is active. It is also lit when the *NO HEAT* cycle is in operation.

### **PRICE**

*PRICE* is lit to indicate that the value displayed is the vend pricing remaining to be satisfied. Once the vend price is satisfied, the word *PRICE* will go off.

### **TIME REMAINING**

*TIME REMAINING* is lit to indicate that the time displayed by two digits and the colon is the time remaining (in minutes) in the active cycle. The colon flashes at one-second intervals and time continually counts down in an active cycle.

Should dryer stop before cycle is completed, the motor overload protector may have cycled. See page 35.

# User-Maintenance Instructions . . .

## Lubrication

All moving parts are sealed in a permanent supply of lubricant or are equipped with oilless bearings. Additional lubrication will not be necessary.

## Cold Weather Care

If the washer is delivered on a cold day (below freezing), or is stored in an unheated room or area during the cold months, do not attempt to operate it until the washer has had a chance to warm up.

## Vacations and Extended Non-Use

**IMPORTANT:** To avoid possible property damage due to flooding, turn off the water supply to the washer whenever there will be an extended period of non-use.

## Care of Your Washer

Use only a damp or sudsy cloth for cleaning the control panel. Some cleaning product sprays may harm the finish on the control panel or damage the interior of the hood.

Wipe the washer cabinet as needed. If detergent, bleach or other washing products are spilled on the cabinet, wipe immediately. Some products will cause permanent damage if spilled on the cabinet.

Do not use scouring pads or abrasive cleansers.

Do not lay sharp or rough objects on or against the washer. The finish could be damaged.

The wash drum and window will need no particular care although they may need rinsing or wiping after an unusual load has been washed. Outside of window can be cleaned with household window cleaner.

## Care of Your Dryer

Clean the lint filter before drying each load. The lint filter may be washed if needed. Occasionally remove lint filter and vacuum the area under it.


Ordinarily, the dryer cylinder will need no care.

Wipe each dryer cabinet as needed. If detergent, bleach or other washing products have been spilled on the dryer unit, wipe immediately. Some products will cause permanent damage if spilled on the cabinet.

Do not allow sharp or rough objects to lean against the dryer unit. The finish could be damaged.

Use only a damp or sudsy cloth for cleaning the control panel. Some spray prewash products may harm the finish on the control panel.

**NOTE:** The wiring diagram is located inside the control panel.

	<b>CAUTION</b>
<b>Label all wires prior to disconnection when servicing controls. Wiring errors can cause improper and dangerous operation.</b>	
<small>W049</small>	

## Exhaust System

The exhaust duct should be inspected after one year of use and cleaned if necessary by a qualified service person to remove any lint build-up. Inspect and clean exhaust duct every one to two years as required thereafter.

The weather hood should be checked frequently to make sure the dampers move freely, dampers are not pushed in and that nothing has been set against them.

Keep dryer area clear and free from combustible materials, gasoline and other flammable vapors and liquids.

Do not obstruct the flow of combustion and ventilation air.

**NOTE:** Verify proper operation after servicing.

# For Energy Conservation . . .

- Make sure the lint filter is always clean.
- Do not overload dryer.
- Do not overdry clothes.
- Remove items to be ironed while still damp.
- Large loads of similar fabrics dry the most efficiently. However, dry permanent press in smaller loads to prevent wrinkling.
- Use the correct temperature FABRIC SELECTOR setting for the type of fabric being dried.
- Locate your dryer so the exhaust duct is as short and straight as possible.
- Do not open the door during the drying cycle.
- Plan to do your laundry on low humidity days; your clothes will dry faster.
- Should you plan to dry several loads, do them one after another, then you do not have to reheat the dryer unit's interior parts each time.

# Before You Call for Service . . .

You may save time and money by checking the following:

## If the Washer:

Won't Fill	Won't Start	Won't Tumble	Won't Spin	Won't Drain	Possible Reason — Do This to Correct
	•				Be sure power cord is plugged all the way into the electrical outlet.
•	•	•	•		Close the loading door tightly.
•	•	•	•		Check the laundry room fuse or circuit breaker.
•					Turn on the hot and cold water faucets.
•					Clean the screens in the water mixing valve.
		•	•		Are controls properly set?
		•	•		Broken drive belt. Call the service person.
			•	•	Foreign object trap clogged. Call service person.

## If the Dryer:

Does Not Start	Does Not Heat	Does Not Dry Clothes Satisfactorily	Possible Reason — Do This to Correct
•			Insert coin(s).
•			Be sure the cord is plugged all the way into the electrical outlet.
•			Close the loading door.
	•		Make sure the controls are in a HEAT setting.
•	•		Activate time accumulator. Push the coin slide all the way in.
•			Press the PUSH-TO-START button.
•	•		Has the laundry room fuse blown or become loosened, or is a circuit breaker OFF? <b>The dryer itself does NOT have an electrical fuse.</b>
•			Has the motor overload protector cycled? Wait 10 minutes and try again.
	•		Gas Dryers Only—Check to see if the gas valve in the dryer (behind the lower front panel) and the main gas line valve are turned on.
		•	Clean the lint filter.
	•	•	Check the exhaust duct to the outside to see if it is kinked, blocked or needs cleaning.
	•	•	Check the weather hood to make sure the flappers move freely, are not pushed in or have not been blocked.
		•	Is the load too small? Small loads may not tumble properly or dry evenly.



# Information for Handy Reference . . .

Alliance Laundry Systems LLC  
Shepard Street  
P.O. Box 990  
Ripon, WI 54971-0990

Date Purchased \_\_\_\_\_

Model Number \_\_\_\_\_ Serial Number \_\_\_\_\_

Dealer's Name \_\_\_\_\_

Dealer's Address \_\_\_\_\_ Phone Number \_\_\_\_\_

Service Agency \_\_\_\_\_

Service Agency Address \_\_\_\_\_ Phone Number \_\_\_\_\_

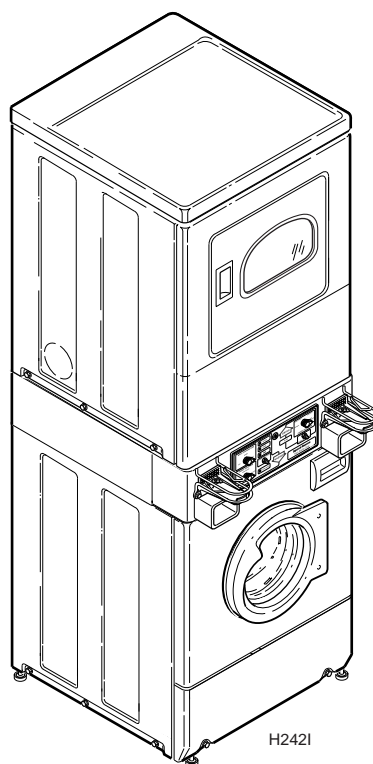
**NOTE: Record the above information and keep your sales slip. Model and serial numbers are located on the nameplate.**





# Lavadora y secadora de montaje vertical

con contador de monedas  
Modelos eléctricos y a gas



— **Instalación y operación** —

**Alliance**  
Laundry Systems

No. de pieza 504509R7  
Octubre 1999

GUARDE ESTAS INSTRUCCIONES PARA REFERENCIA EN EL FUTURO. (Si la unidad cambia de dueño, asegúrese de que este manual vaya con la misma).



## ADVERTENCIA

**PARA SU SEGURIDAD, deberá seguir la información contenida en este manual a fin de minimizar el riesgo de incendio y explosión, y prevenir daños a la propiedad y lesiones personales, incluso letales.**

W033

- No almacene o utilice gasolina u otro vapor o líquido inflamable cerca de esta ni de cualquier otra máquina.
- ¿QUÉ HACER SI HUELE A GAS?
  - No intente encender ninguna máquina.
  - No toque ningún interruptor eléctrico; no utilice ningún teléfono del edificio.
  - Evacue los ocupantes de la sala, el edificio o el área.
  - Llame inmediatamente a la compañía de gas desde el teléfono de un vecino. Siga las instrucciones que le dé la compañía de gas.
  - Si no puede ponerse en contacto con la compañía de gas, llame a los bomberos.
- La instalación y el mantenimiento deberán ser realizados por un instalador calificado, una empresa de servicio o la compañía de gas.

W052

**IMPORTANTE:** El comprador debe consultar a la compañía local de gas acerca de los pasos a seguir en caso de que el usuario detecte olor a gas. Coloque las instrucciones proporcionadas por la compañía de gas junto con la nota de **SEGURIDAD** y **ADVERTENCIA** que se encuentra en el recuadro de arriba en un lugar visible cerca de la unidad para que pueda ser leída por el usuario.

## PARA SU SEGURIDAD

**No almacene o utilice gasolina u otro vapor o líquido inflamable cerca de esta o de cualquier otra máquina.**

# Contenido

Piezas de repuesto .....	57
Instrucciones de seguridad importantes .....	58
Dimensiones aproximadas .....	60
Seguridad adicional .....	61
Extensión del tragamonedas de la lavadora .....	62
Extensión del tragamonedas de la secadora .....	63
Levas del temporizador .....	63
Protectores de tragamonedas .....	63
Antes de comenzar .....	64
<b>Instalación de la unidad</b>	
Paso 1: Coloque la unidad cerca del área de instalación .....	65
Paso 2: Conecte las mangueras de suministro de agua .....	65
Paso 3: Conecte la manguera de desagüe en el receptáculo de desagüe .....	66
Paso 4: Conecte el tubo de suministro de gas .....	67
Paso 5: Conecte el enchufe de suministro de energía eléctrica .....	68
Paso 6: Conecte el sistema de escape de la secadora .....	69
Paso 7: Saque los manguitos de amortiguador y el tirante sujetador (en la lavadora solamente) .....	69
Paso 8: Coloque la unidad en su lugar y nivélela .....	70
Paso 9: Limpie el interior de los tambores de la lavadora y la secadora .....	71
Paso 10: Enchufe la lavadora y la secadora .....	71
Paso 11: Revise la instalación .....	71
<b>Desplazamiento de la unidad a un nuevo sitio</b> .....	72
<b>Revisión de la fuente de calor</b> .....	73
<b>Requisitos de suministro de agua</b> .....	74
<b>Requisitos eléctricos de la lavadora</b> .....	75
<b>Requisitos de energía eléctrica para secadoras eléctricas</b> .....	76
<b>Requisitos eléctricos para secadoras a gas</b> .....	81
<b>Requisitos de la fuente de suministro de gas</b> .....	83
<b>Requisitos del lugar</b> .....	84
<b>Requisitos del sistema de escape de la secadora</b> .....	85
<b>Instalación de múltiples secadoras requisitos de escape</b> .....	88
<b>Filtro de pelusas</b> .....	91
<b>Protector de sobrecarga del motor</b> .....	91
<b>Instrucciones de operación de lavadoras electromecánicas</b> .....	92
<b>Instrucciones de operación de secadoras electromecánicas</b> .....	95
<b>Instrucciones para la operación de lavadoras con control electrónico</b> .....	97
<b>Instrucciones para la operación de secadoras con control electrónico</b> .....	101
<b>Instrucciones de mantenimiento para el usuario</b> .....	105
<b>Consejos para ahorrar electricidad</b> .....	106
<b>Antes de llamar al centro de servicio</b> .....	107
<b>Información para una referencia a la mano</b> .....	109
<b>Lista de comprobación del instalador</b> .....	Contraportada

## Piezas de repuesto . . .

Si requiere piezas de repuesto, póngase en contacto con el establecimiento donde adquirió la máquina o con

**Alliance Laundry Systems LLC**  
**Shepard Street**  
**P.O. Box 990**  
**Ripon, WI 54971-0990**  
**Teléfono:**  
**(920) 748-3950**


para obtener el nombre y la dirección del distribuidor autorizado de piezas de repuesto más cercano.

© Copyright 1999, Alliance Laundry Systems LLC

Reservados todos los derechos. Ninguna sección del presente manual puede ser reproducida o transmitida en forma alguna o a través de ningún medio sin el expreso consentimiento por escrito del editor.

# INSTRUCCIONES DE SEGURIDAD IMPORTANTES

## (GUARDE ESTAS INSTRUCCIONES)

	<b>ADVERTENCIA</b>
Para reducir el riesgo de incendio, descarga eléctrica y lesiones personales al utilizar la unidad, observe las siguientes medidas de precaución básicas:	
W034	

1. Lea todas las instrucciones antes de utilizar la unidad.
2. Remítase a la sección de INSTRUCCIONES DE CONEXIÓN A TIERRA del manual de INSTALACIÓN para una correcta conexión a tierra de la unidad.
3. No lave o seque artículos que se hayan limpiado, lavado, sumergido o tratado con gasolina, solventes para lavar al seco u otras sustancias inflamables o explosivas. Estas sustancias despiden gases que pueden encenderse o explotar.
4. En ciertos casos, cuando no se utiliza el sistema de agua caliente durante dos semanas o más, puede almacenarse gas hidrógeno en dicho sistema. **EL GAS HIDRÓGENO ES EXPLOSIVO.** Si no ha utilizado el sistema de agua caliente durante dos semanas o más, antes de usar la lavadora o la combinación de lavadora secadora, abra todos los grifos del agua caliente y deje que el agua fluya por ellos durante un tiempo. De esta manera, se liberará todo el gas hidrógeno acumulado. Este gas es inflamable. No fume ni utilice llama abierta durante este lapso de tiempo.
5. No permita a los niños jugar sobre o dentro de la unidad. Los niños deberán ser supervisados cuidadosamente cuando se utiliza la unidad cerca de ellos. Esta es una medida de seguridad para todos los aparatos eléctricos.
6. Antes de sacar de servicio o desechar la unidad, saque las puertas de los compartimientos de lavado y secado.
7. No introduzca la mano en la lavadora o la secadora si los cilindros están en movimiento.
8. No instale ni coloque la unidad en un lugar donde esté expuesta al agua o a la intemperie.
9. No manipule indebidamente los controles.
10. No repare o cambie ninguna pieza de la unidad, ni trate de hacerle mantenimiento, salvo que las instrucciones de mantenimiento para el usuario lo recomienden de manera expresa o lo indiquen las instrucciones de reparación del usuario que usted está en capacidad de entender y llevar a cabo.
11. No agregue gasolina, solventes para lavado al seco u otras sustancias inflamables o explosivas al agua de lavado. Estas sustancias despiden vapores que podrían encenderse o causar una explosión.
12. No utilice suavizadores de ropa o productos para eliminar la estática, a menos que lo recomiende el fabricante del suavizador o del producto.
13. Para reducir el riesgo de descarga eléctrica o incendio, **NO UTILICE** extensiones ni adaptadores para conectar la unidad al tomacorriente.
14. Para reducir el riesgo de incendio, **NO** seque en la secadora prendas de plástico, artículos que contengan goma esponjosa u otro material con una textura parecida a la de la goma.
15. **SIEMPRE** limpie el filtro de pelusas después de secar cada carga. Una capa de pelusas en el filtro reduce la eficacia del secado y prolonga el tiempo del mismo.
16. Mantenga el área donde se encuentra la abertura del escape y áreas adyacentes libres de pelusas, polvo o suciedad.
17. Personal de mantenimiento calificado debe limpiar periódicamente la parte interior de la secadora y el ducto del escape.
18. Si esta unidad no se instala, opera y mantiene según las instrucciones del fabricante, o si sus componentes se dañan o utilizan indebidamente, es posible que al usarla se exponga a sustancias presentes en el combustible o productos de su combustión que podrían ser letales o causar enfermedades graves y que, según las autoridades del Estado de California, degeneran en cáncer, deformaciones congénitas y otros efectos dañinos sobre la reproducción.

19. La lavadora y la secadora no funcionan con la compuerta de carga abierta. **NO ANULE** los interruptores de seguridad de las compuertas, permitiendo así que la lavadora o la secadora funcione con la compuerta abierta. La lavadora y la secadora se detienen cuando las compuertas se abren. No utilice la lavadora o la secadora si no deja de funcionar cuando la compuerta está abierta o comienza a girar sin que usted haya activado los mecanismos de encendido (START). Deje de utilizar la unidad y llame al personal encargado del mantenimiento.
20. No introduzca en la lavadora o la secadora artículos que tengan manchas de aceite vegetal o de cocina. Las prendas podrían incendiarse debido a los rastros de aceite que contienen.
21. Para reducir el riesgo de incendio, **NO** introduzca prendas con rastros de sustancias inflamables, como por ejemplo, aceite para máquinas, productos químicos inflamables, diluyentes de pintura y otros, o prendas que contengan cera u otros productos químicos, tales como mopas y paños de limpiar, o prendas impregnadas de solvente para lavar al seco en el hogar.
22. Utilice la lavadora sólo con la finalidad para la que fue diseñada, es decir, lavar ropa.
23. Utilice la secadora sólo con la finalidad para la que fue diseñada, es decir, secar ropa.
24. Desconecte siempre el cable de suministro de electricidad de la lavadora y la secadora antes de tratar de hacerle mantenimiento a cualquiera de ellas. Saque los cables de alimentación eléctrica sujetando los enchufes, en lugar de tirar de los cables.
25. Si el cordón de alimentación eléctrica está dañado, deberá ser reemplazado por un cordón o conjunto especial, que puede adquirirse a través del fabricante o de su agente de servicio.
26. Instale la unidad según las **INSTRUCCIONES DE INSTALACIÓN**. Todas las conexiones de suministro de electricidad, conexión a tierra y suministro de gas deberán satisfacer los códigos locales y ser realizadas por un personal autorizado, cuando el caso lo amerite. No lo haga usted mismo, a menos que sepa cómo hacerlo.
27. Conserve su unidad en buen estado. Golpearla o dejarla caer puede dañar los dispositivos de seguridad. Si esto ocurre, haga revisar la unidad con personal de mantenimiento calificado.
28. Una vez que la secadora se detenga, saque la ropa inmediatamente.
29. Lea y siga siempre las instrucciones del fabricante que aparecen en los paquetes de productos para lavado y limpieza. Observe todas las advertencias y precauciones. Para reducir el peligro de envenenamiento o quemaduras con productos químicos, mantenga estos productos fuera del alcance de los niños en todo momento (guárdelos preferiblemente en un gabinete con llave).
30. No seque en secadora accesorios para cortinas o cortinas de fibra de vidrio, a menos que la etiqueta indique que puede hacerse. Si los seca en la secadora, limpie el cilindro con un paño húmedo al terminar para eliminar los restos de fibra de vidrio.
31. Asegúrese de que las conexiones de agua tengan una válvula de corte y que las conexiones de las mangueras de llenado estén bien apretadas. **CIERRE** las válvulas de corte cuando termine la jornada diaria.
32. Siga **SIEMPRE** las instrucciones para el cuidado de la ropa suministradas por el fabricante de la prenda.
33. Nunca ponga a funcionar la unidad sin los protectores o paneles correspondientes.
34. **NO** utilice la unidad si le faltan piezas o tiene piezas dañadas.
35. **NO** anule ningún dispositivo de seguridad.
36. El incumplimiento de las instrucciones del fabricante para la instalación, mantenimiento u operación de la máquina podría derivar en situaciones causantes de lesiones personales o daños a la propiedad.
37. No haga funcionar la lavadora ni la secadora si las unidades se han separado.

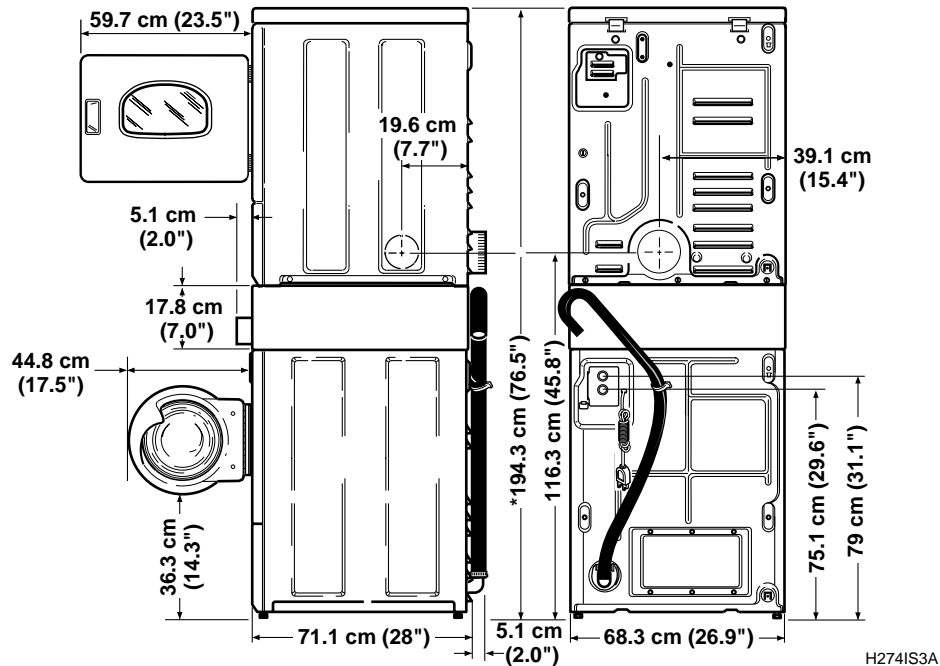
**IMPORTANTE:** Los vapores de solventes de máquinas de lavado al seco generan ácidos al pasar por la unidad calentadora de la secadora. Estos ácidos son corrosivos tanto para la secadora como para los artículos a secar. Asegúrese de que el aire de reposición no contiene vapores de solventes.

**IMPORTANTE:** Haga instalar la unidad correctamente. No lo haga usted mismo a menos que sepa cómo hacerlo.

**NOTA:** Las **INSTRUCCIONES DE SEGURIDAD IMPORTANTES** y **ADVERTENCIAS** que se suministran en este manual no pretenden contemplar todas las posibles situaciones y condiciones que pueden presentarse. La instalación, mantenimiento y operación de la unidad deben hacerse con sentido común, precaución y cuidado.

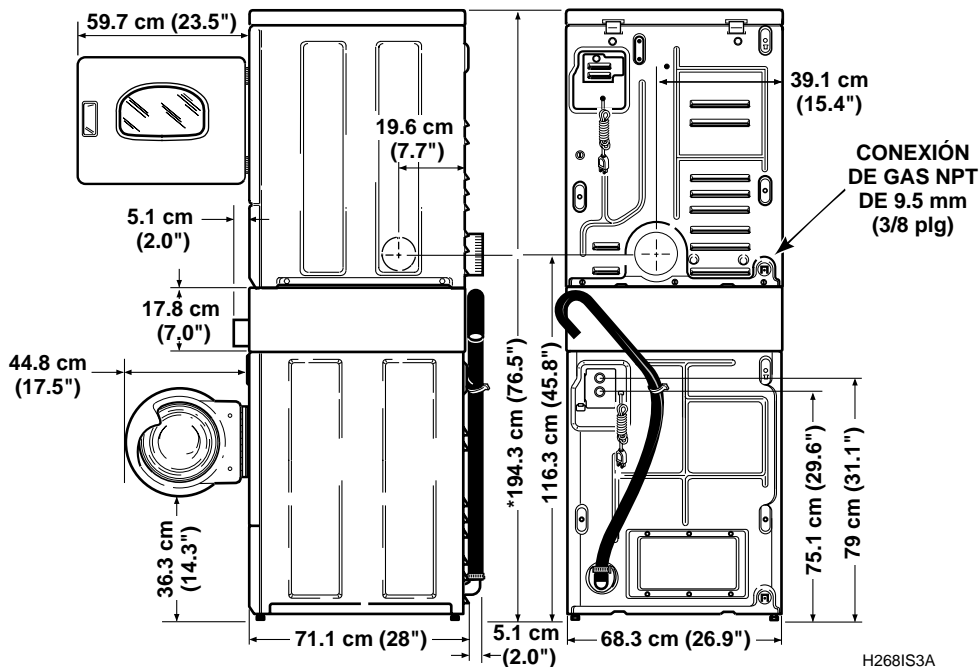
Comuníquese siempre con el vendedor, distribuidor, agente de servicios o fabricante cuando tenga problemas o se encuentre en una situación que no comprenda.

# Dimensiones aproximadas . . .



\* CON LAS PATAS DE NIVELACIÓN ENROSCADAS EN LA BASE.

## SECADORAS ELÉCTRICAS



\* CON LAS PATAS DE NIVELACIÓN ENROSCADAS EN LA BASE.

## SECADORAS A GAS

**NOTA:** Las aberturas ubicadas por las partes lateral y trasera son para ductos de 10.2 cm (4"). Los modelos a gas no pueden ventilarse por el lado izquierdo del gabinete porque allí se encuentra el alojamiento del quemador.

**IMPORTANTE:** La secadora necesita tener suficiente espacio libre a su alrededor para una ventilación adecuada y para una instalación y mantenimiento más fáciles. Para maximizar el rendimiento de la secadora, recomendamos dejar un espacio libre mayor que los indicados en este manual.

# Seguridad adicional . . .

Como equipo opcional (a un costo adicional) se ofrecen tornillos de seguridad Torx para asegurar los paneles de acceso inferior a las bases de la lavadora y la secadora. Su número de pieza es 62853.

También se ofrece una broca Torx, número de pieza 282P4 (como equipo opcional a un costo adicional) para instalar los tornillos de seguridad Torx.

Adicionalmente, está disponible un portabrocas Torx, número de pieza 24161 (como equipo opcional a un costo adicional) para utilizarse con la broca Torx.

# Extensión del tragamonedas de la lavadora . . .

(Solamente modelos con tragamonedas)



## ADVERTENCIA

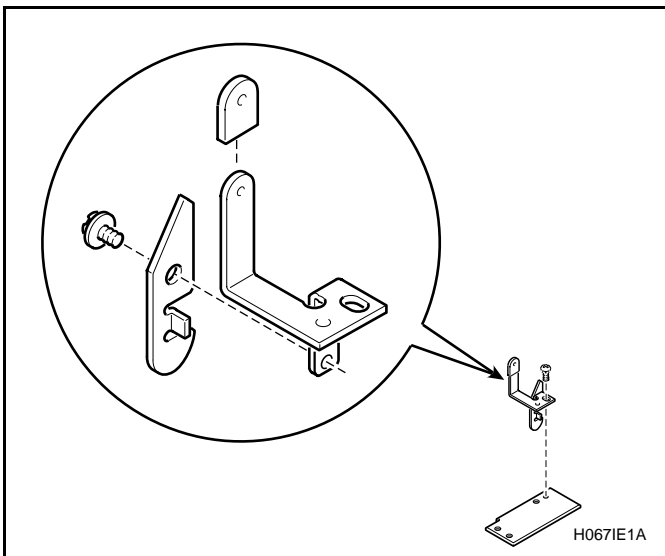
Para reducir el riesgo de descarga eléctrica, incendio, explosión, lesiones graves o letales:

- Desconecte la alimentación eléctrica de la lavadora y secadora antes de hacerle mantenimiento.
- Nunca arranque la lavadora o la secadora sin que tenga instalados los paneles y protectores.
- Cuando se desconecten los conductores de tierra durante el mantenimiento, los mismos deberán volver a conectarse para asegurar que la lavadora quede debidamente conectada a tierra.

Saque la extensión del tragamonedas, tornillos con reborde, bota plástica, actuador, soporte del actuador, tornillos y arandelas de seguridad de la bolsa de accesorios. Instale la extensión del tragamonedas como se describe a continuación:

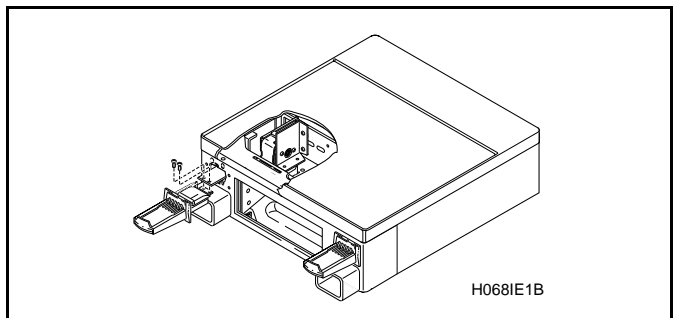
1. Desbloquee y abra la puerta de servicio. Saque la barra bloqueadora que sujeta el tragamonedas a la parte delantera del gabinete de seguridad.

**NOTA:** Para ejecutar los pasos 2 al 4 consulte la ilustración siguiente.



2. Monte la bota plástica (N° 36165) en el soporte del actuador (N° 685592).
3. Monte el actuador (N° 36164) en el soporte del actuador (N° 685592) utilizando los tornillos con reborde (N° 36166).

4. Coloque el actuador y el montaje de soporte sobre la extensión del tragamonedas e instale el tornillo y la arandela de seguridad (N° 03950).
5. Instale la extensión del tragamonedas armada a través de la abertura del tragamonedas del gabinete de seguridad introduciendo la mano a través de la abertura de la puerta de servicio.
6. Monte la extensión del tragamonedas (N° 685593) en el lado superior del tragamonedas utilizando dos tornillos y arandelas de seguridad (N° 03950) y apriete firmemente los tornillos. Vea la siguiente ilustración.



7. Reinstale el tragamonedas armado en el gabinete de seguridad. Cierre y bloquee la puerta de servicio.

Una vez instalada la extensión del tragamonedas, compruebe el funcionamiento de la lavadora de la forma siguiente:

1. Conecte la energía eléctrica a la lavadora.

**NOTA:** Para comprobar que el tragamonedas funciona correctamente, espere a que la lavadora complete el ciclo y el temporizador se detenga antes de iniciar el proceso de evaluación.

2. Introduzca la cantidad apropiada de monedas en el tragamonedas. Empuje lentamente el tragamonedas hacia dentro y escuche la caída de las monedas en la caja colectora.
3. Empuje el tragamonedas un poco más hacia dentro y, observando a través de la puerta de servicio, compruebe que el actuador caiga más allá del embrague del temporizador. Continúe empujando el tragamonedas hasta el final de su recorrido y tire del él hacia fuera. Confirme que el actuador haga girar el embrague del temporizador y que comience el ciclo de lavado.

**NOTA:** Deberá oprimir el botón Push-to-Start (oprima para arrancar) después de activar el tragamonedas.



# Extensión del tragamonedas de la secadora . . .

(Solamente modelos con tragamonedas)

Saque las dos extensiones del tragamonedas, cuatro tornillos y arandelas de seguridad de la bolsa de accesorios e instale la extensión en la parte superior del tragamonedas.

**IMPORTANTE:** La extensión del tragamonedas deberá acoplarse al lado superior del tragamonedas a fin de hacerlo lo suficientemente largo para que pueda activar el acumulador (secadora) o el temporizador (lavadora).

**NOTA:** Esta unidad, tal como sale de fábrica, no incluye el tragamonedas, el depósito de monedas, la cerradura ni las llaves. El conjunto del tragamonedas (o sus piezas) deberá pedirse, a un costo adicional, directamente al fabricante de sistemas de tragamonedas de su preferencia, según los requisitos específicos del propietario de la máquina.

## Levas del temporizador . . .

Los temporizadores de la secadora vienen equipados de fábrica con una leva de 45 minutos. Si este tiempo de secado no es adecuado para su instalación, puede utilizar las siguientes levas que se incluyen en la bolsa de accesorios.

### SECADORAS ELÉCTRICAS

Levas 1-53242 (30 minutos)

Levas 1-53240 (60 minutos)

### SECADORAS A GAS

Levas 1-53242 (30 minutos)

También se ofrece como equipo opcional (a un costo adicional) una leva de 60 minutos, número de pieza 53240.

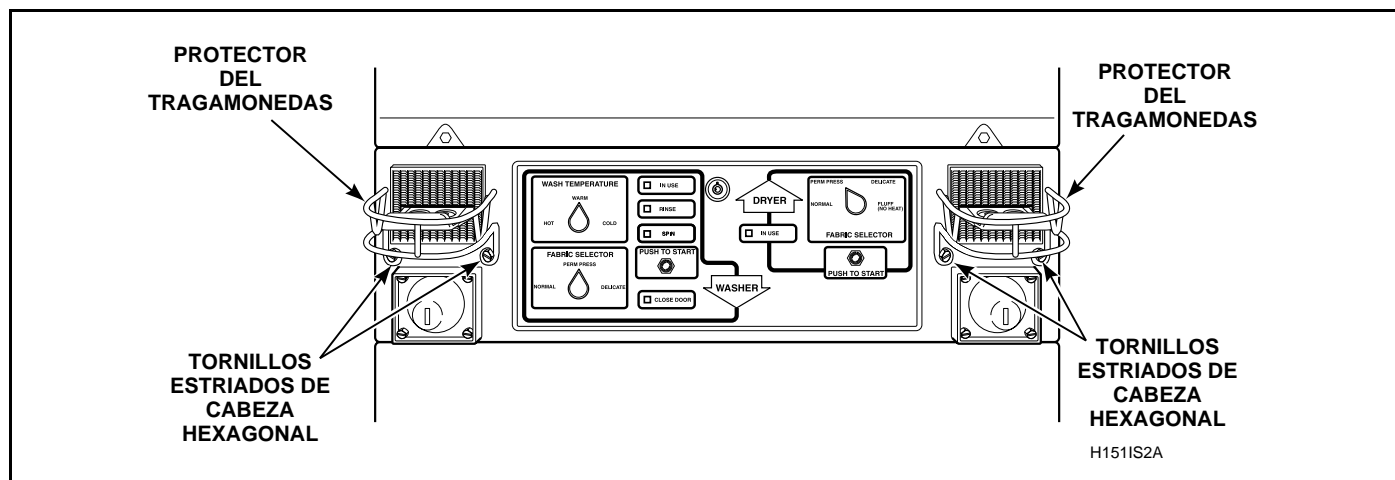
## Protectores de tragamonedas . . .

(Solamente modelos con tragamonedas)

Utilizando los tornillos estriados de cabeza hexagonal incluidos en la bolsa de accesorios, instale los protectores de tragamonedas en la parte delantera del gabinete de control. Vea la ilustración.

Se ofrece un juego especial de seguridad (como equipo opcional a un costo adicional) para fijar los protectores de tragamonedas y ambos paneles frontales a la parte

delantera de la unidad. El número de pieza del juego de seguridad es 298P3. También se ofrece un destornillador especial (como equipo opcional a un costo adicional), número de pieza 56217, para instalar los tornillos especiales de seguridad.

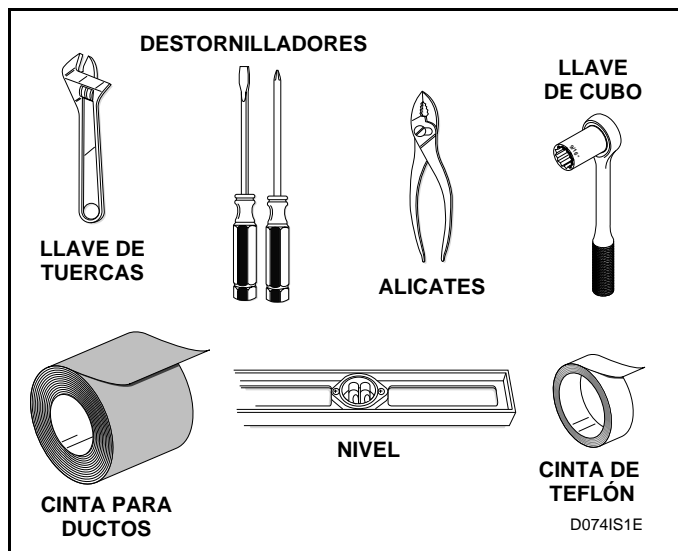


**NOTA:** Los tragamonedas y depósitos de monedas se muestran para fines de orientación únicamente. Los mismos deberán adquirirse localmente.

# Antes de comenzar . . .

## Herramientas

Éstas son las principales herramientas que necesitará en la mayoría de las instalaciones:

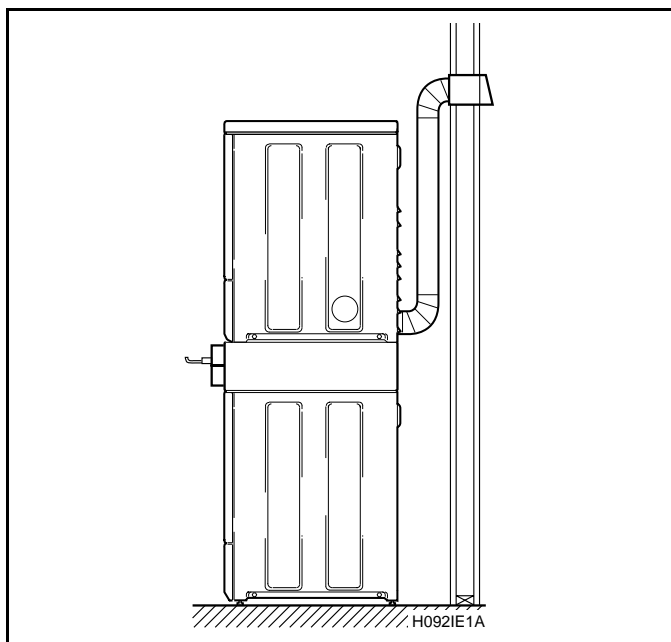


## Agua

La lavadora trabaja con dos grifos estándar de 19.1 mm (3/4 plg) para el suministro de agua con una presión que oscile entre 20 y 120 libras por pulgada cuadrada (138 a 827 kPa). Para obtener más detalles, consulte la sección de *Requisitos de suministro de agua*.

## Ducto de escape

Emplee un ducto metálico rígido y use la ruta más corta posible para el escape de la secadora.



**NOTA:** Para obtener más detalles consulte la sección de *Requisitos de escape de la secadora*.

## Requisitos eléctricos

- **LAVADORA**  
Consulte la placa de identificación para determinar los requisitos eléctricos específicos. Para obtener más detalles, consulte la sección de *Requisitos eléctricos de la lavadora*.
- **SECADORA ELÉCTRICA**  
La secadora necesita una fuente de suministro de energía eléctrica monofásica de 3 ó 4 terminales, de 120/240 ó 120/208 VCA, 60 Hz. Para obtener más detalles, consulte la sección de *Requisitos de energía eléctrica para secadoras eléctricas*.
- **SECADORA A GAS**  
Necesita un receptáculo de 3 ranuras polarizado, debidamente conectado a tierra, de 120 voltios, 60 Hz. Para obtener más detalles, consulte la sección de *Requisitos eléctricos para secadoras a gas*.

**NOTA:** Está disponible un elemento calentador para 208 voltios (como equipo opcional a un costo adicional).

## Gas

La secadora viene equipada con un tubo de conexión de gas NPT de 9.5 mm (3/8 pulgadas) para trabajar con gas natural. Véase la sección de *Requisitos de la fuente de suministro de gas* para obtener más información.

## Ubicación

Coloque la secadora sobre un piso firme, y en un lugar con ventilación adecuada. Remítase a la sección de *Requisitos del lugar* para obtener más información.

# Instalación de la unidad . . .

## Paso 1:

### Coloque la unidad cerca del área de instalación

Mueva la unidad hasta una distancia no mayor de 1.2 metros (4 pies) del área de instalación deseada.



## PRECAUCIÓN

La lavadora y la secadora no están diseñadas para funcionar como unidades individuales, una al lado de la otra.



H2431

## Paso 2:

### Conecte las mangueras de suministro de agua

**NOTA:** Consulte la sección de *Requisitos de suministro de agua* antes de conectar las mangueras de suministro de agua.

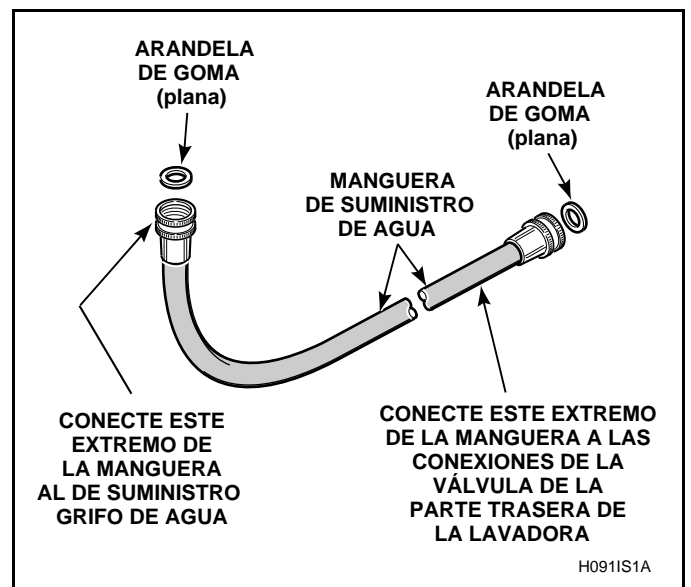
Saque las cuatro arandelas de goma planas de la bolsa de accesorios e instálelas como se indica en la ilustración.

Abra los grifos de suministro de agua y limpie las tuberías dejando que el agua fluya por aproximadamente dos minutos para eliminar cualquier material extraño que pueda obstruir las mallas de la válvula para mezclar el agua.

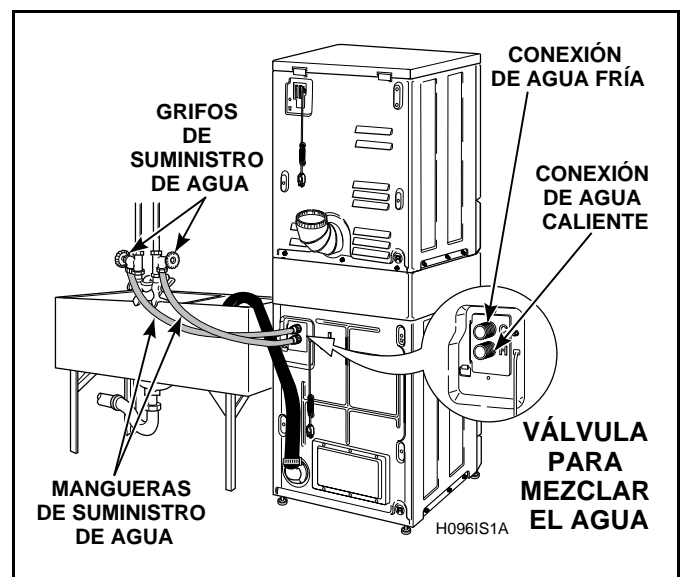
**NOTA:** Cuando instale la unidad en un local recién construido o remodelado es esencial limpiar las tuberías dejando que el agua fluya, ya que pudo haberse acumulado material en las mismas durante la construcción.

**IMPORTANTE:** Enrosque a mano las uniones en las conexiones de válvula y seguidamente gire aproximadamente un 1/4 de vuelta con la ayuda de un alicate. Asegúrese de enroscar correctamente las uniones y de **NO** apretarlas excesivamente.

Abra el grifo de agua y determine si hay fugas. Si detecta alguna fuga, reajuste las uniones de la manguera. Siga apretando y revise hasta eliminar las fugas.



H091IS1A



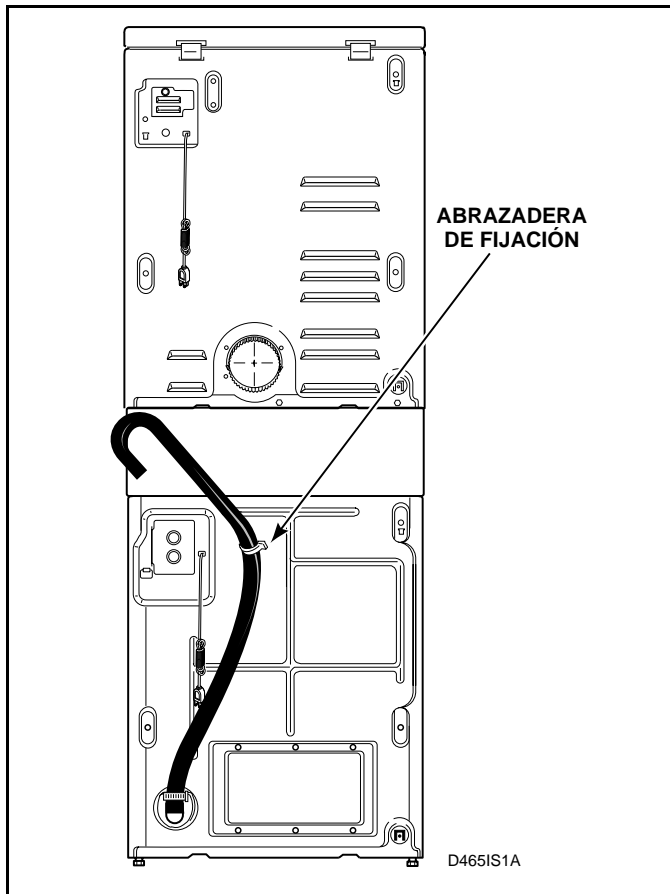
H096IS1A

### Paso 3:

## Conecte la manguera de desagüe en el receptáculo de desagüe

Saque la manguera del lugar de embarque en la parte trasera de la lavadora, desenganchando la manguera de la abrazadera de fijación.

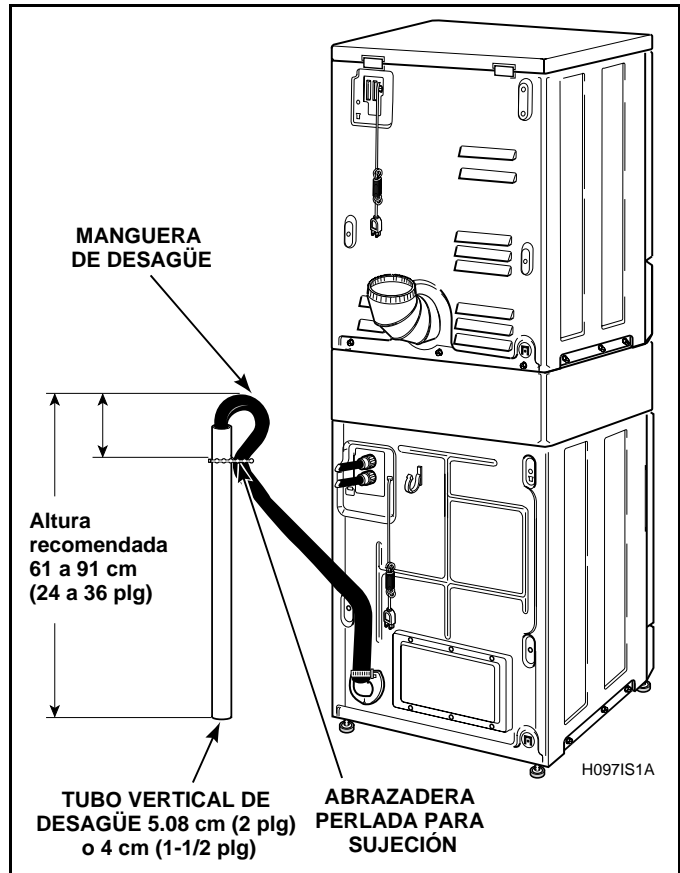
**IMPORTANTE:** El receptáculo de desagüe debe ser el apropiado para una manguera de desagüe con un diámetro exterior de 32 cm (1-1/4 plg) como mínimo.



### Instalación del tubo vertical de desagüe:

Coloque la manguera de desagüe dentro del tubo vertical de desagüe.

Saque la abrazadera perlada de la bolsa de accesorios, colóquela alrededor del tubo vertical de desagüe y la manguera de desagüe, y apriete la correa para sujetar la manguera al tubo vertical de desagüe. Así se evita que se salga la manguera del receptáculo de desagüe cuando se esté utilizando.

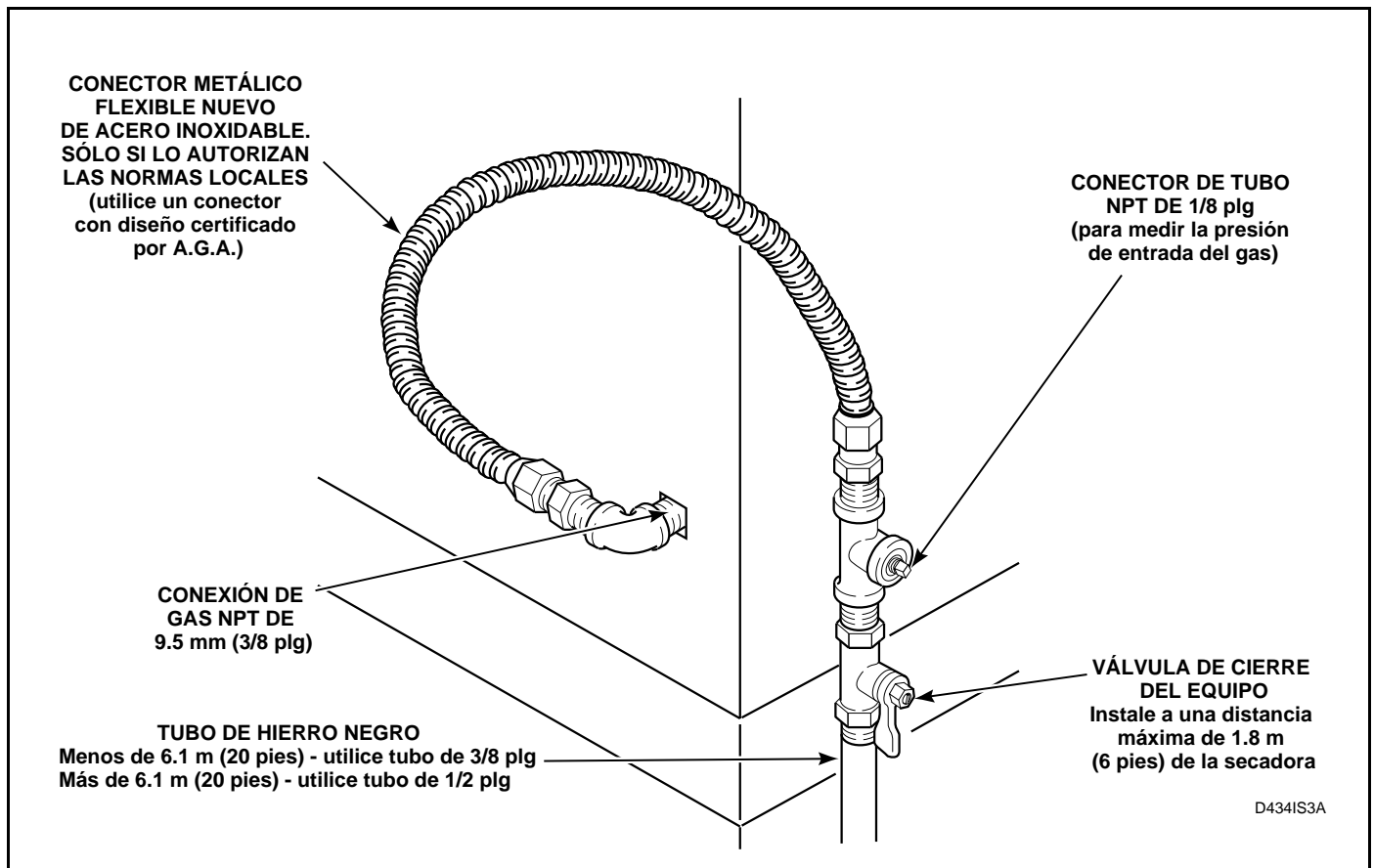


## Paso 4: (SÓLO para secadoras a gas)

### Conecte el tubo de suministro de gas

Remítase a la sección de *Requisitos de la fuente de suministro de gas* para obtener más información.

1. Asegúrese de que la secadora esté equipada para trabajar con el tipo de gas utilizado en el área de lavandería. La secadora viene equipada de fábrica con una conexión de gas NPT de 9.5 mm (3/8 pulgadas) para trabajar con gas natural.
2. Retire la tapa utilizada para fines de embarque de la conexión de gas que se encuentra en la parte trasera de la secadora. Tenga cuidado de no dañar la rosca del tubo cuando saque la tapa.
3. Conecte el tubo de suministro de gas mediante el nuevo conector flexible de acero inoxidable.
4. Apriete bien todas las conexiones. Abra la llave del gas y revise todas las conexiones del tubo (internas y externas) para ver si hay fuga de gas, utilizando un líquido no corrosivo para detectar fugas.
5. Para la conexión de gas propano líquido, consulte la sección de *Requisitos de la fuente de suministro de gas*.

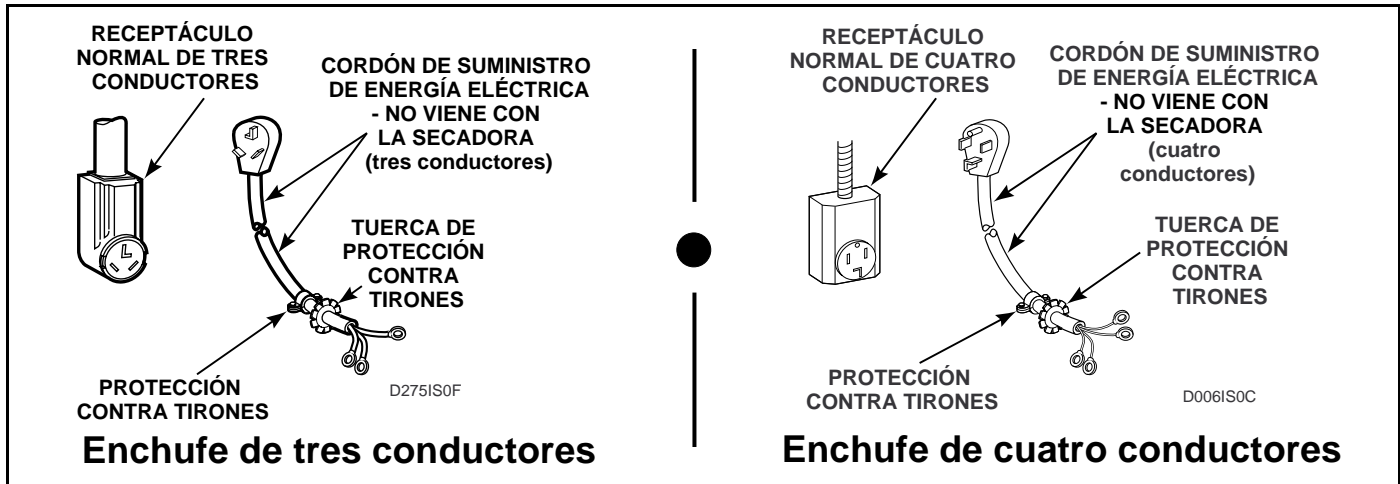


## Paso 5: (SÓLO para secadoras eléctricas)

### Conecte el enchufe de suministro de energía eléctrica

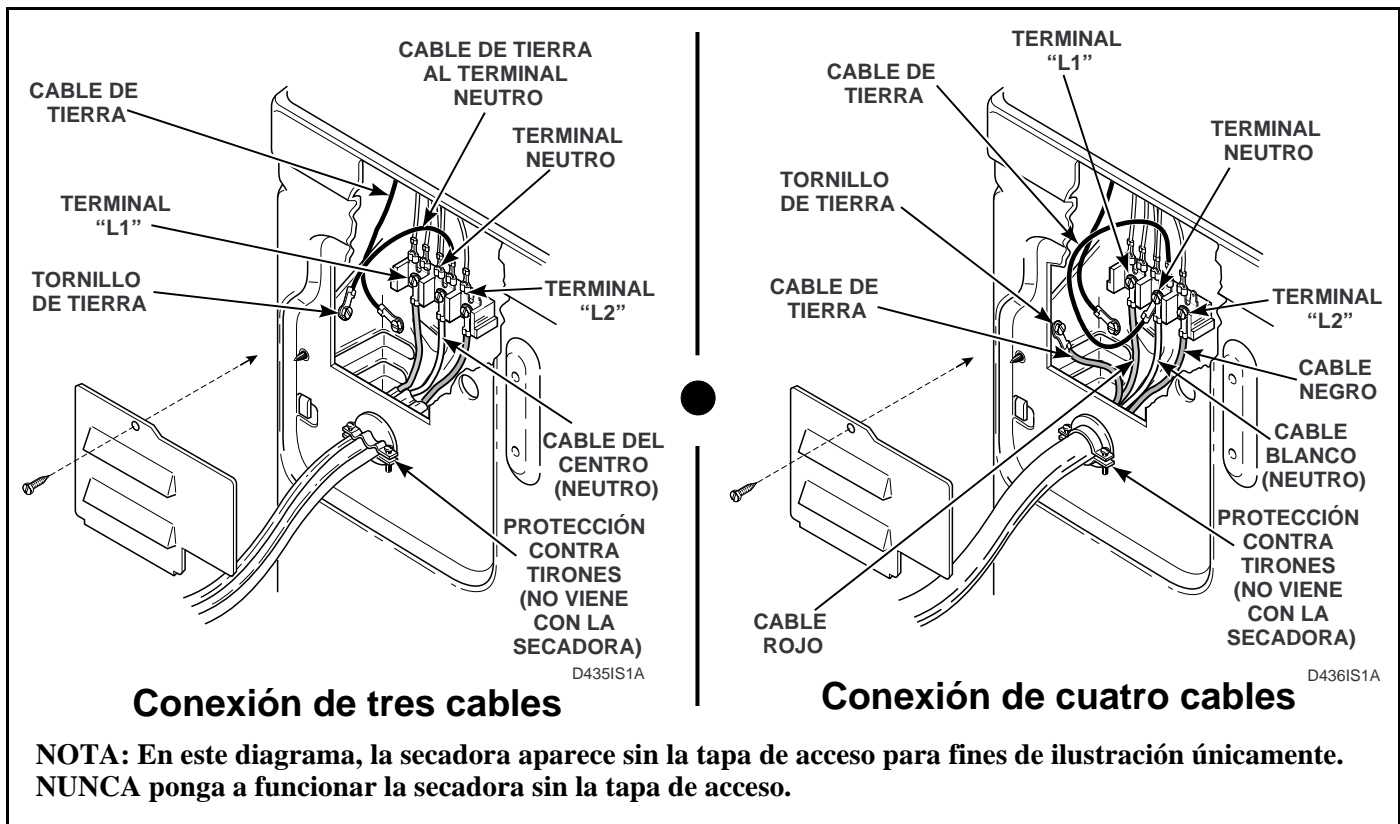
Remítase a la sección de *Requisitos eléctricos* para obtener más información.

**IMPORTANTE:** Utilice solamente un cordón de suministro de energía eléctrica nuevo, en lista de U.L., de tres conductores calibre 10 (alambre de cobre únicamente) con capacidad para 240 voltios (como mínimo) 30 amperios, que indique que es apropiado para secadoras de ropa.



**NOTA:** Para obtener más detalles sobre la conexión de los enchufes de 3 y 4 terminales, consulte la sección de *Requisitos de energía eléctrica para secadoras eléctricas*.

**NOTA:** El cable de cuatro conductores debe utilizarse para instalaciones en viviendas móviles, o en áreas en las que los códigos no permitan una conexión a tierra a través del cable neutro.




**NOTA:** En este diagrama, la secadora aparece sin la tapa de acceso para fines de ilustración únicamente. **NUNCA** ponga a funcionar la secadora sin la tapa de acceso.

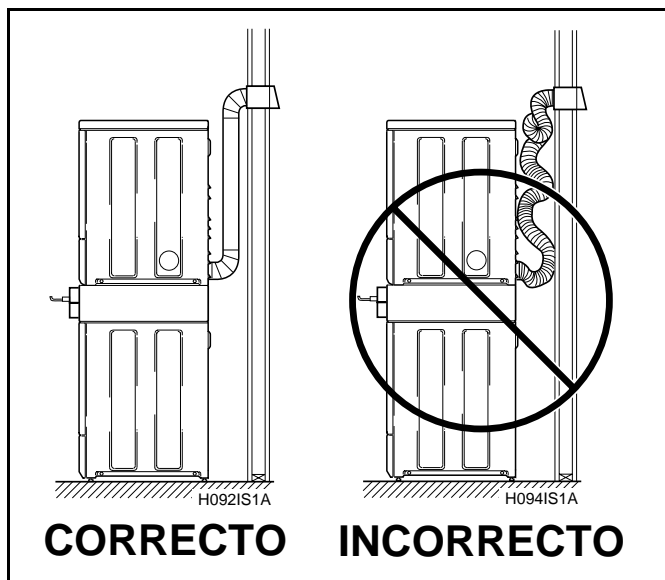
## Paso 6:

### Conecte el sistema de escape de la secadora

Remítase a la sección de *Requisitos del lugar* y *Requisitos de escape de la secadora* para obtener una mayor orientación.

	<b>ADVERTENCIA</b>
<b>Las secadoras de ropa producen pelusas combustibles. Para reducir el riesgo de incendio y acumulación de gases de combustión, la secadora DEBERÁ contar con una tubería de escape al exterior.</b>	

- NO UTILICE tubos plásticos ni tubos flexibles de lámina metálica delgada.
- Ubique la unidad de tal manera que el ducto de escape tenga la menor longitud posible.
- Asegúrese de que los tubos viejos estén bien limpios antes de instalar su secadora nueva.
- Utilice un tubo metálico flexible o rígido de 10.2 cm (4 plg).
- Use la menor cantidad de codos posibles.
- Utilice cinta aislante para ductos en todas las conexiones o empalmes.
- **La garantía queda sin efecto en caso de una instalación inapropiada del sistema de escape de la secadora.**



**NOTA:** Los materiales del sistema de ventilación no vienen con la unidad (pueden adquirirse localmente).

## Paso 7:

### Saque los manguitos de amortiguador y el tirante sujetador (en la lavadora solamente)

Desmonte el panel de acceso frontal sacando los dos tornillos.

Saque los pernos y arandelas del tirante sujetador con una llave de tuercas de 9/16 plg y saque el tirante sujetador. Desmonte los manguitos de amortiguador tirando de la cuerda amarilla.

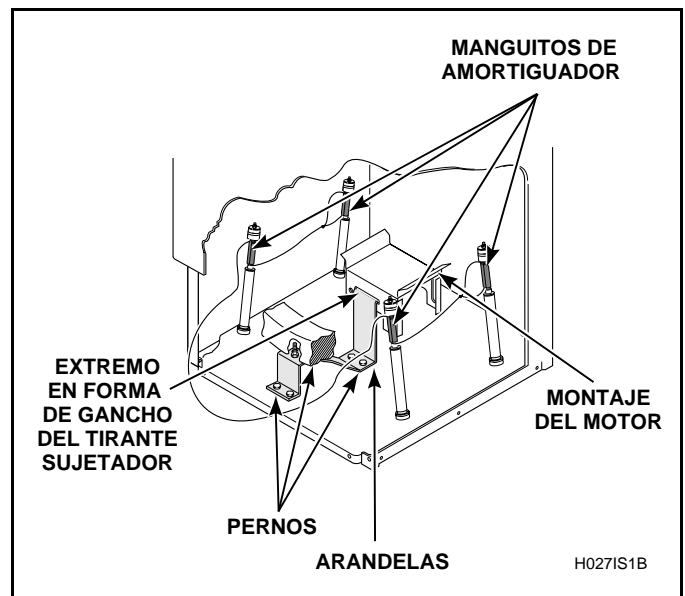
Quite la etiqueta de la parte lateral delantera del panel de acceso frontal y colóquela en la parte posterior de dicho panel.

**NOTA:** El tirante sujetador, así como los pernos, arandelas y manguitos de amortiguador deben conservarse y VOLVER A INSTALARSE si fuera necesario desplazar la lavadora una distancia mayor de 1.2 metros (4 pies). No levante o transporte la lavadora por el frente o sin haber instalado previamente los materiales de transporte.

Guarde los materiales de transporte en la bolsa provista dentro de la bolsa de accesorios. Conserve los materiales para usarlos cuando haya que desplazar la lavadora.

**NOTA:** Los materiales de transporte DEBERÁN reinstalarse al mover la unidad de un lugar a otro. Las instrucciones para reinstalar estos materiales se encuentran en la sección *Desplazamiento de la unidad a un nuevo sitio*.

Vuelva a instalar el panel de acceso delantero.



## Paso 8:

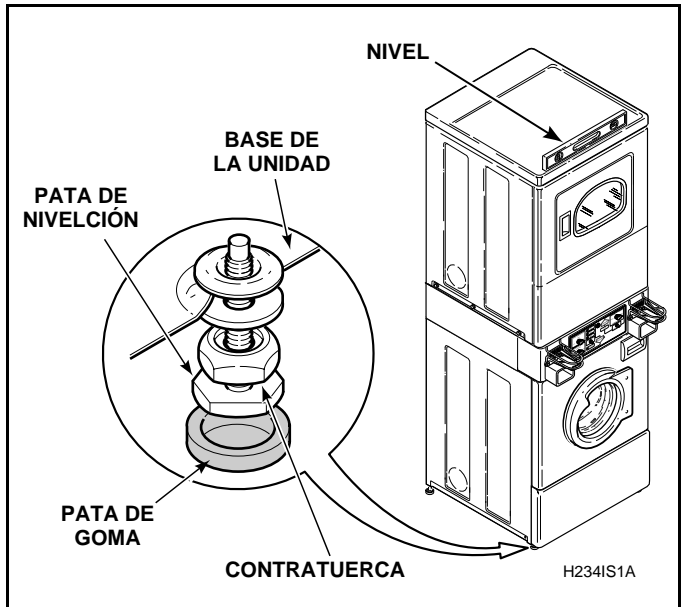
### Coloque la unidad en su lugar y nivélela

Coloque la unidad en posición en un área limpia, seca y con un piso razonablemente firme. No se recomienda instalar la unidad sobre ningún tipo de alfombra.

Afloje las contratuercas de 9/16 plg y ajuste las patas de nivelación hasta que la unidad deje de cojear y quede nivelada, no solo en sentido lateral sino también de atrás hacia adelante. Apriete las contratuercas con la mano contra la base y seguidamente apriételas firmemente con una llave de cubo profundo de 9/16 plg. Si no se aprietan las contratuercas, la unidad se moverá de su posición cuando esté funcionando.

**NOTA: El nivel deberá apoyarse sobre la parte elevada del panel superior. Vea la ilustración.**

Saque las patas de goma que vienen en la bolsa de accesorios y colóquelas en las patas de nivelación.



### PRECAUCIÓN

**NO deslice la unidad sobre el piso una distancia mayor de 1.2 metros (4 pies) con las patas extendidas, ya que tanto las patas como la base podrían dañarse.**



### PRECAUCIÓN

**El uso del alojamiento del surtidor, o de las compuertas de la lavadora o la secadora como puntos de apoyo para levantar la unidad durante el transporte puede ocasionar daños en el surtidor o en las puertas.**

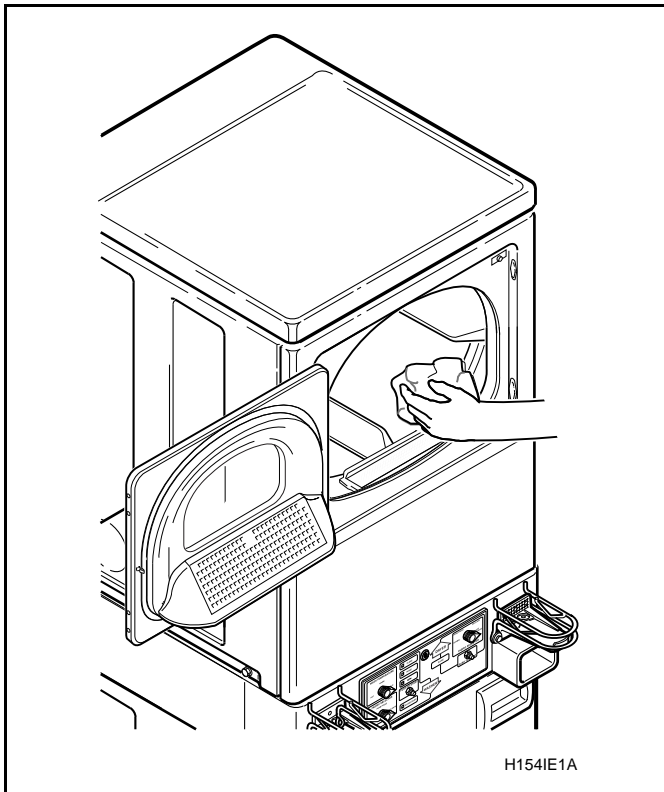
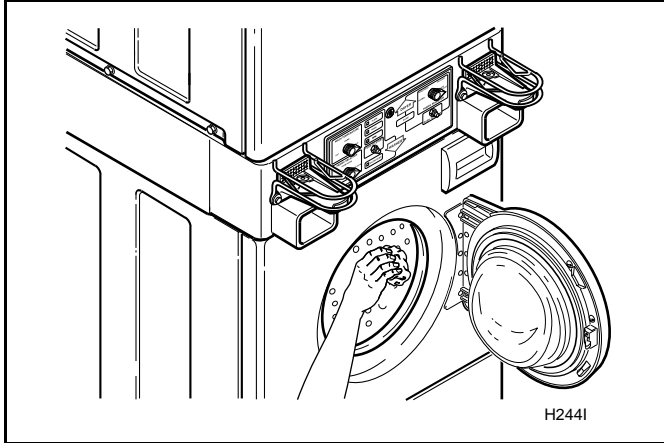
**NOTA: Si necesita más asistencia, consulte la sección *Requisitos del lugar*.**



## Paso 9:

### Limpie el interior de los tambores de la lavadora y la secadora

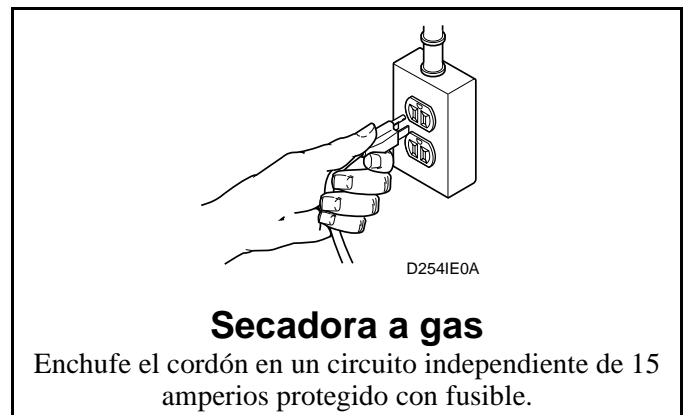
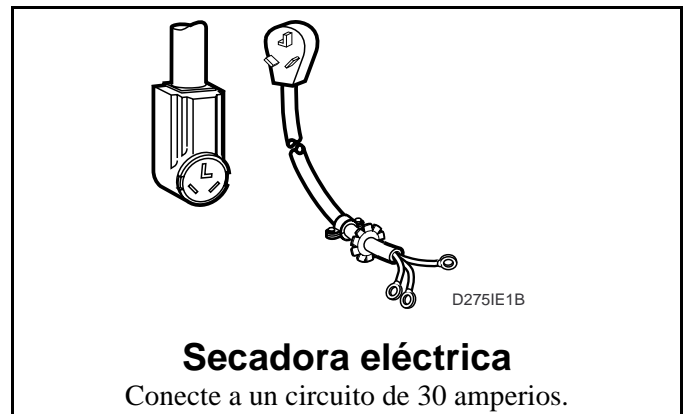
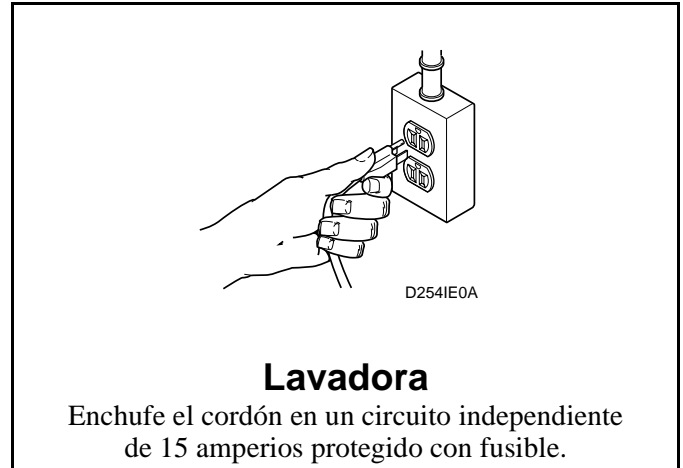
Antes de utilizar la lavadora y la secadora por primera vez, aplique un limpiador para todo uso o una solución de agua y detergente con un paño húmedo a fin de eliminar el polvo que pueda haber caído en los tambores durante el transporte.



## Paso 10:

### Enchufe la lavadora y la secadora

Véase la sección de *Requisitos eléctricos* y conecte la lavadora y la secadora a un receptáculo de pared.



## Paso 11:

### Revise la instalación

Remítase a la *Lista de comprobación del instalador* que aparece en la contraportada de este manual y asegúrese de que la unidad esté correctamente instalada.

# Desplazamiento de la unidad a un nuevo sitio . . .

Para prevenir daños durante el desplazamiento de la unidad, DEBERÁ volver a instalar los materiales de transporte.

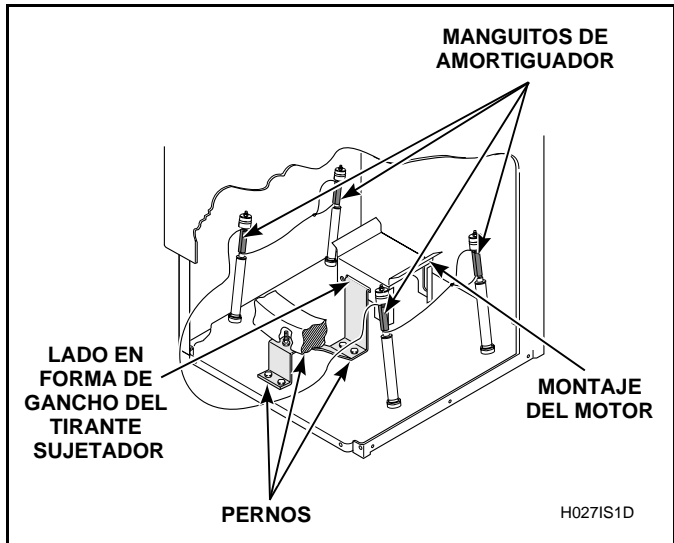
## Reinstalación de los materiales de transporte

Saque el panel de acceso frontal retirando dos tornillos.

Coloque los manguitos de amortiguador sobre los cuatro amortiguadores. Vea la ilustración.

Inserte el lado en forma de gancho del tirante sujetador de embarque dentro de la ranura del montaje del motor. Asegure con pernos y arandelas. Vea la ilustración.

Reinstale el panel de acceso frontal.



Para consultar los procedimientos adecuados al momento de desplazar la unidad, remítase a la sección *Instalación de la unidad*.

# Revisión de la fuente de calor . . .

## (Secadoras eléctricas)

### Modelos con contador de monedas

Coloque el selector de tela (FABRIC SELECTOR) correspondiente en la posición NORMAL. Introduzca las monedas en el tragamonedas y empújelo cuidadosamente lo más adentro que pueda. Se encenderá la luz IN USE

(en uso) indicando que la secadora está lista para funcionar. Cierre la compuerta de carga y oprima firmemente el botón rotulado PUSH-TO-START (oprime para arrancar). Después de que la secadora haya estado funcionando durante tres minutos, el tubo de escape o de expulsión de aire debe estar caliente.

### (Secadoras a gas)

Durante la comprobación del calentador de gas, observe la llama del quemador retirando el panel delantero inferior de la secadora.

débil con las puntas amarillas es indicio de falta de aire. Una llama azul ruidosa y muy fuerte revela que hay demasiado aire). Ajuste el obturador de aire de la manera siguiente:


### Modelos con contador de monedas

Coloque el selector de tela (FABRIC SELECTOR) en la posición NORMAL. Introduzca las monedas en el tragamonedas y empújelo cuidadosamente lo más adentro que pueda. Se encenderá la luz IN USE (en uso) indicando que la secadora está lista para funcionar. Cierre la compuerta de carga y oprima firmemente el botón rotulado PUSH-TO-START (oprime para arrancar). La secadora comenzará a funcionar, el dispositivo de encendido se pondrá incandescente y el quemador principal se encenderá.

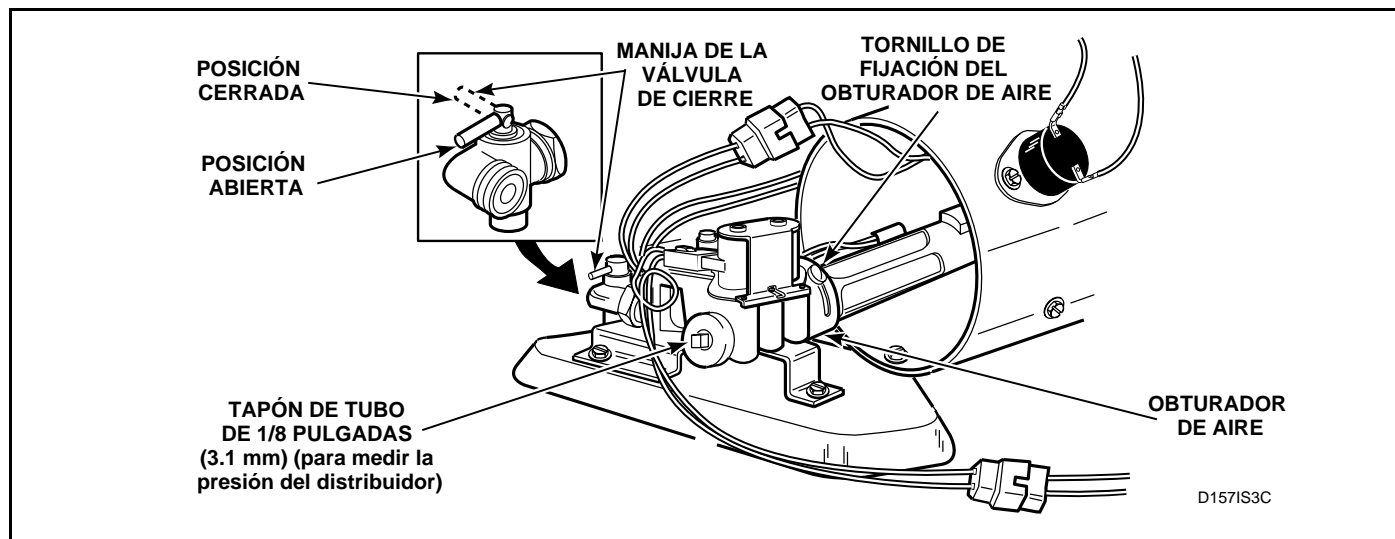
1. Afloje el tornillo de fijación del obturador de aire.
2. Gire el obturador de aire hacia la izquierda para lograr una llama luminosa con las puntas amarillas. A continuación, gire lentamente el obturador hacia la derecha hasta tener una llama azul suave y estable.
3. Después de ajustar el obturador de aire para lograr una llama adecuada, apriete el tornillo de fijación hasta que quede bien asegurado.
4. Coloque nuevamente el panel delantero inferior.

**IMPORTANTE:** Si no se purga todo el aire de la tubería de gas, el dispositivo de encendido podría apagarse antes de que el gas se encienda. Si esto sucede, después de dos minutos aproximadamente, el dispositivo de encendido intentará encender el gas nuevamente.


Después de que la secadora haya estado funcionando durante aproximadamente cinco minutos, observe la llama del quemador. Ajuste el obturador de aire para obtener una llama azul, suave y uniforme. (Una llama

	<b>ADVERTENCIA</b>
<b>Por razones de seguridad personal, el panel delantero inferior deberá permanecer en su posición durante la operación normal.</b>	

Después de que la secadora haya funcionado durante tres minutos aproximadamente, el tubo de escape o de expulsión de aire debe estar tibio.



# Requisitos de suministro de agua . . .

	<b>ADVERTENCIA</b>
<p>En ciertos casos, puede acumularse gas hidrógeno en el sistema de agua caliente si el agua no ha sido utilizada durante dos semanas o más. <b>EL GAS HIDRÓGENO ES VOLÁTIL.</b> Si no se ha utilizado el sistema de agua caliente durante este lapso de tiempo, antes de usar la lavadora abra los grifos de agua caliente y deje que el agua fluya durante varios minutos. De esta manera se liberará el gas de hidrógeno acumulado. Este gas es inflamable. No fume o use una llama abierta durante este procedimiento.</p>	

**NOTA:** Los grifos de suministro de agua deben entrar en uniones hembra estándar de 19.1 mm (3/4 plg) para mangueras de jardín. **NO USE CONEXIONES DE GANCHO O DE DESLIZAMIENTO.**

**NOTA:** Debe tenerse un fácil acceso a los grifos de suministro de agua para poder cerrarlos cuando no se esté utilizando la lavadora.

## Temperatura del agua

### Fría

Se recomienda una temperatura para el agua fría entre 16° y 27° centígrados (60° y 80° Fahrenheit).

### Caliente

Se recomienda una temperatura para el agua caliente entre 49° y 60° centígrados (120° y 140° Fahrenheit).

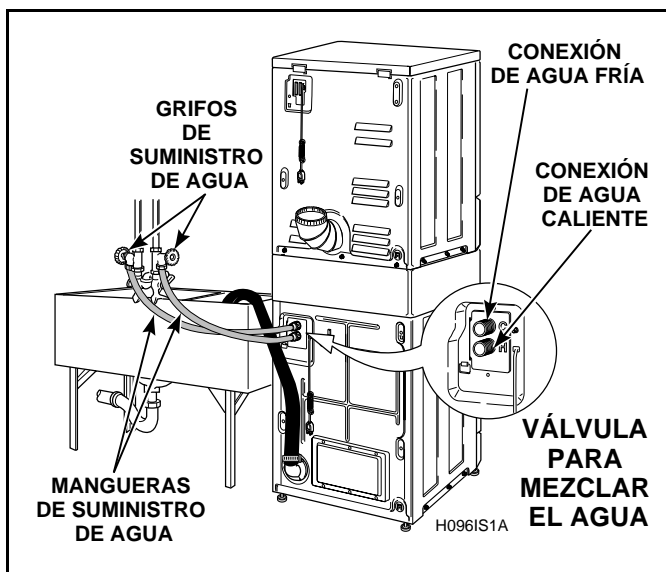
### Tibia

Es una mezcla de agua caliente y agua fría. (La temperatura del agua tibia depende de la temperatura del agua y de la presión de las tuberías de agua caliente y agua fría).

**IMPORTANTE:** Cierre los grifos de suministro de agua después de la revisión y demostración. El dueño de la unidad debe cerrar los grifos de suministro de agua siempre que no vaya a utilizarla por un período de tiempo prolongado.

**NOTA:** Pueden adquirirse mangueras de suministro de agua más largas (como equipo opcional con un costo adicional), si las mangueras (que vienen con la lavadora) no son lo suficientemente largas para la instalación. Pida sus mangueras de la manera siguiente:

- Manguera de suministro N° 20617 (2.44 m) (8 pies)
- Manguera de suministro N° 20618 (3.05 m) (10 pies)



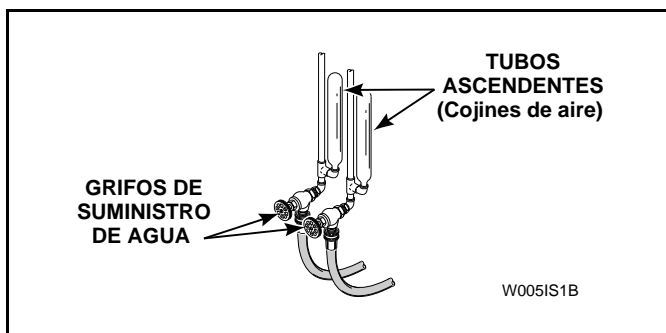
## Presión del agua

La presión estática del agua medida en el grifo deberá estar entre 20 libras por pulgada cuadrada la mínima y 120 libras por pulgada cuadrada la máxima (138 a 827 kPa).

**NOTA:** Una presión del agua menor a las 20 libras por pulgada cuadrada (138 kPa) causa un aumento del tiempo de llenado de la lavadora y es posible que no accione adecuadamente el surtidor de detergente.

## Tubos ascendentes


Quizá sea necesario instalar tubos ascendentes (o cojines de aire), si entra aire en los tubos y los mismos emiten un golpeteo cuando cesa el suministro de agua. Los tubos ascendentes son más eficaces cuando se instalan lo más cerca posible de los grifos de suministro de agua (véase la ilustración).



# Requisitos eléctricos de la lavadora . . .

(Enchufe de tres terminales de 120 voltios,  
60 Hertz, con conexión a tierra)

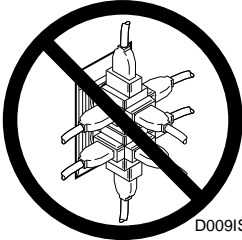
NOTA: El diagrama de cableado se encuentra detrás del panel de control, dentro del gabinete de control.



## ADVERTENCIA

Para reducir el riesgo de incendio, descarga eléctrica o lesiones personales, todo el cableado y las conexiones a tierra **DEBERÁN** cumplir con las estipulaciones de la última edición de las Normas para instalaciones eléctricas de los Estados Unidos (National Electrical Code), ANSI/NFPA 70 y las regulaciones locales pertinentes, según el caso. Es responsabilidad del cliente hacer revisar el cableado, los fusibles y los cortacircuitos con un electricista calificado, a fin de asegurarse de que su vivienda cuenta con la capacidad de energía eléctrica necesaria para el funcionamiento de la lavadora.


- NO SOBRECARGUE LOS CIRCUITOS
- NO UTILICE ADAPTADOR
- NO UTILICE CORDÓN DE EXTENSIÓN



D0091S1C

## Instrucciones para la conexión a tierra

La lavadora debe conectarse a tierra. La conexión a tierra reduce los riesgos de descarga eléctrica en el caso de mal funcionamiento o averías eléctricas, creando una ruta de menor resistencia para la corriente eléctrica. La lavadora tiene un cordón con un conductor de tierra del equipo y un enchufe de tierra de tres terminales. Dicho enchufe debe conectarse directamente a un receptáculo apropiado que esté debidamente instalado y conectado a tierra, de conformidad con las normas y ordenanzas locales.

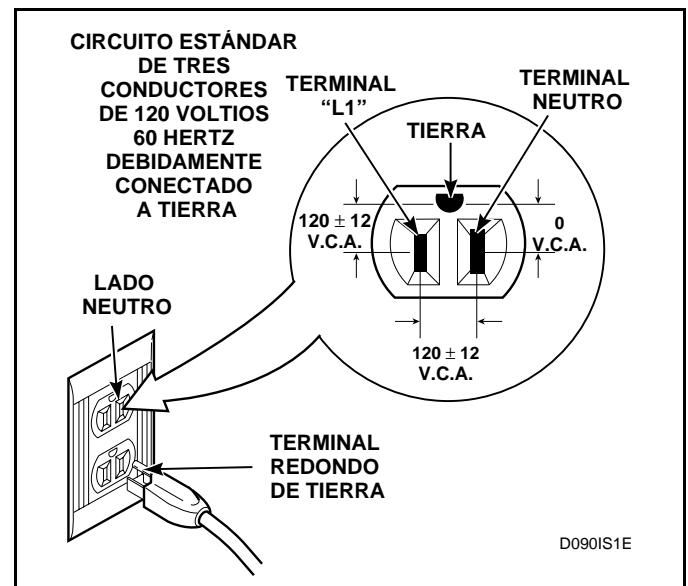


## ADVERTENCIA

La conexión indebida del conductor de tierra del equipo puede traducirse en un peligro de descarga eléctrica. Consulte a un técnico de mantenimiento o electricista calificado si no está seguro de que su lavadora está bien conectada a tierra.


No realice modificaciones en el enchufe que trae la lavadora. Si el mismo no entra en el receptáculo, contrate los servicios de un electricista calificado para que le instale el receptáculo de pared apropiado.

NOTA: Llame a un electricista calificado para que revise la polaridad del receptáculo de pared. Si la lectura del voltaje difiere de la que aparece en la ilustración, el electricista debe solucionar el problema.



No utilice el mismo circuito para poner a funcionar otro equipo cuando esta máquina esté funcionando.

No haga funcionar la lavadora y la secadora simultáneamente si están conectadas al mismo circuito. Utilice circuitos separados de 15 amperios protegidos con fusibles.



## ADVERTENCIA

Para reducir el riesgo de descargas eléctricas o incendio, **NO** utilice un adaptador o cordón de extensión para conectar la secadora a la fuente de energía eléctrica.

# Requisitos de energía eléctrica para secadoras eléctricas . . .

(Instalación de 3 terminales, 120/240 voltios, 60 Hz)  
(Instalación de 3 terminales, 120/208 voltios, 60 Hz)\*

\* Se requiere un elemento calentador diferente.

NOTA: El diagrama de cableado se encuentra detrás del panel de control, dentro del gabinete de control.



## ADVERTENCIA

Para reducir el riesgo de incendio, descarga eléctrica o lesiones graves, todo el cableado y las conexiones a tierra DEBERÁN satisfacer la edición más reciente de las Normas para Instalaciones Eléctricas de los Estados Unidos (National Electrical Code), ANSI/NFPA 70 o las Normas para Instalaciones Eléctricas de Canadá, CSA C22.1, así como las normas locales aplicables. Es responsabilidad del cliente hacer revisar el cableado y los fusibles por un electricista calificado para asegurarse de que la sala de lavandería cuenta con la capacidad de energía eléctrica necesaria para hacer funcionar la secadora.

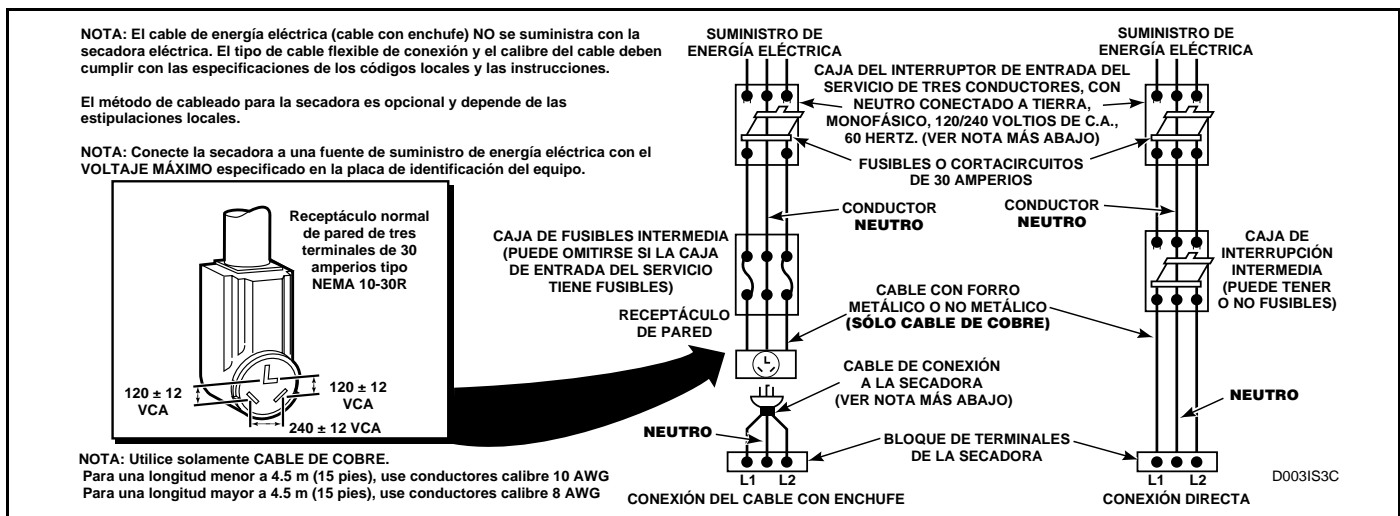
## Instrucciones de cableado y conexión a tierra

- Esta secadora deberá conectarse a un sistema de cableado permanente que conecte las piezas metálicas a tierra, o debe tenderse un conductor de tierra con los conductores del circuito que alimentan el equipo y conectarlo al terminal o contacto de conexión de tierra de la secadora.
- La secadora tiene su propio bloque de terminales, el cual deberá conectarse a un circuito monofásico independiente de C.A. (corriente alterna), 60 Hz, **protegido con un fusible de 30 amperios** (el circuito deberá estar protegido por ambos lados de la línea).

EL SUMINISTRO DE ENERGÍA ELÉCTRICA DEBERÁ SER DEL VOLTAJE MÁXIMO INDICADO EN LA PLACA DE IDENTIFICACIÓN. NO CONECTE LA SECADORA A UN CIRCUITO DE 110, 115 O 120 VOLTIOS. Están disponibles elementos calentadores para instalación en el campo en secadoras que van a conectarse a una fuente de suministro de energía eléctrica con un voltaje diferente al que aparece en la placa de identificación (por ejemplo, 208 voltios).

- Si el circuito secundario al que se conecta la secadora tiene una longitud de 4.5 metros (15 pies) o menos, utilice cable calibre 10 AWG en lista de U.L. (Underwriters Laboratories, asociación de aseguradores de los EE.UU.) (sólo cable de cobre) o según se establezca en los códigos locales. Si la longitud del circuito secundario es mayor que 15 pies (4.5 metros) utilice cable calibre 8 AWG en lista de U.L. (sólo cable de cobre) o según se establezca en los códigos locales. Deje suficiente holgura en el cable para permitir que la secadora pueda moverse de su posición normal en caso de ser necesario.
- La conexión del cordón de alimentación (cable con enchufe) entre el receptáculo de pared y el bloque de terminales de la secadora **NO se suministra con la secadora**. El tipo de enchufe y calibre del cable deberán satisfacer los códigos locales y las instrucciones mencionadas en las páginas siguientes.

El método de cableado de la secadora es opcional y está sujeto a los requisitos establecidos en los códigos locales. A continuación se presentan algunos ejemplos:



## (Cordón de alimentación de tres conductores)



### ADVERTENCIA

La conexión de tierra de la secadora se conecta al conductor neutro del bloque de terminales. Si los códigos locales no permiten la conexión a tierra a través del conductor neutro, proceda como se indica en las instrucciones de instalación del *Cordón de alimentación de cuatro conductores*.

Para reducir el riesgo de descarga eléctrica, desconecte el suministro eléctrico a la secadora antes de seguir las instrucciones siguientes.

1. Saque el tornillo y la cubierta de acceso de la parte posterior del gabinete de la secadora.
2. Inserte los extremos del cable directo a través del agujero de la fuente de alimentación (con el protector contra tirones adecuado) en la parte posterior del gabinete de la secadora. Consulte la página siguiente. Conecte el cordón de alimentación o el cableado directo a los terminales apropiados del bloque de terminales utilizando **tres tornillos de conexión de cable (10-32 x 3/8 plg) que vienen en el paquete de accesorios, en el sobre incluido dentro del tambor de la secadora**. Si la secadora se había conectado anteriormente con un cordón de alimentación de

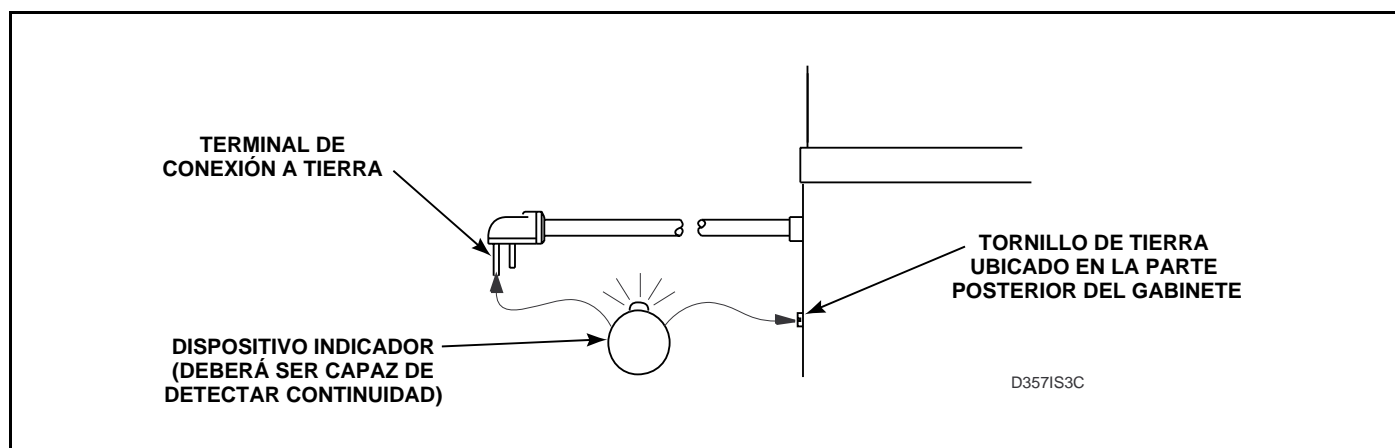
cuatro conductores, desinstálelo siguiendo las instrucciones de instalación del *Cordón de alimentación de cuatro conductores* en orden inverso.

**IMPORTANTE:** Utilice solamente un cordón de suministro de energía eléctrica, en lista de U.L., de tres conductores de cobre calibre 10 con capacidad para 240 voltios (como mínimo) 30 amperios y que indique que es apropiado para secadoras de ropa.

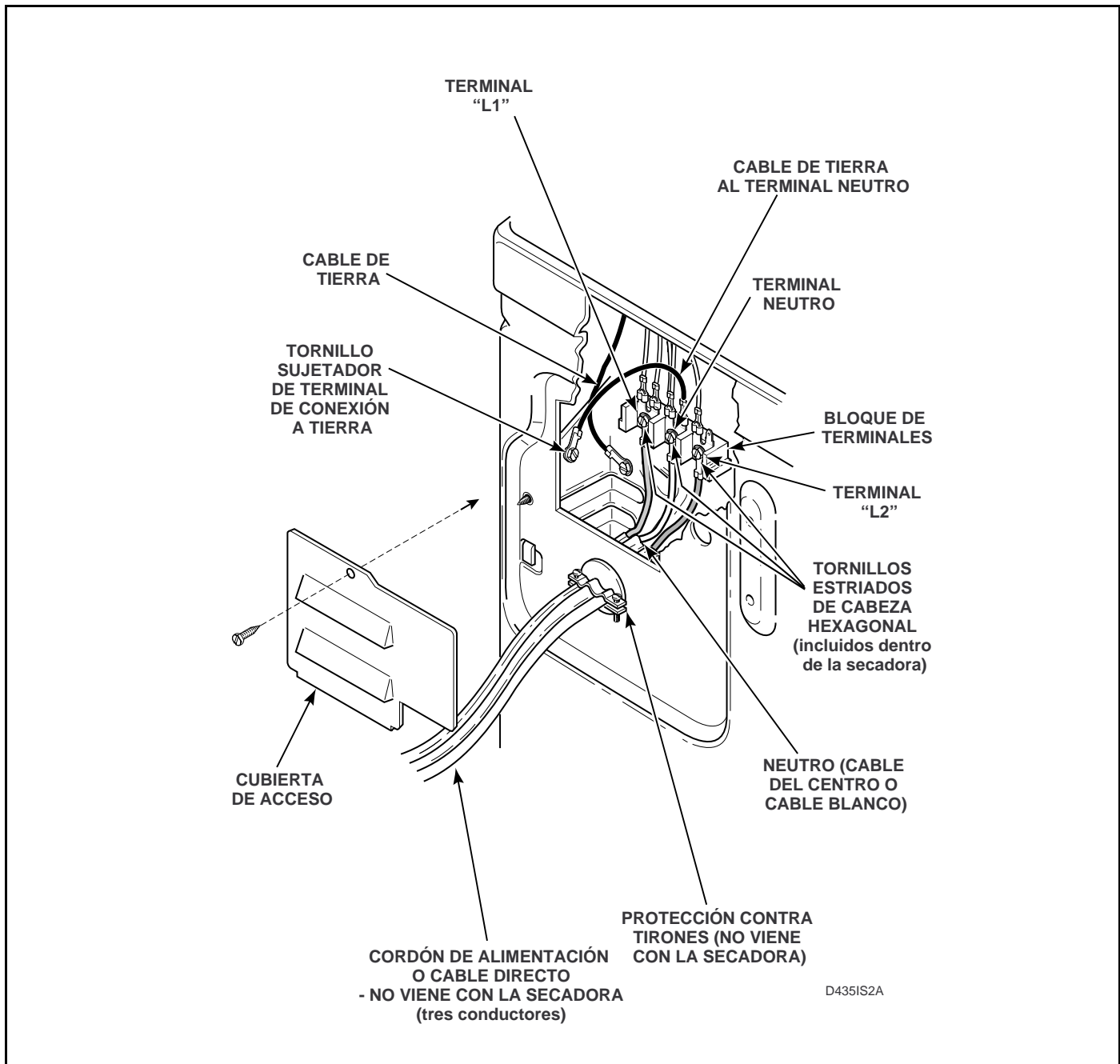
3. Apriete firmemente los tornillos de conexión de cable.

**IMPORTANTE:** Si estos tornillos no se aprietan firmemente podría ocurrir una falla de conexión en el bloque de terminales.

4. Asegure el cordón de alimentación o los cables con el protector contra tirones en el punto de entrada al gabinete de la secadora.
5. Compruebe la continuidad de la conexión de tierra antes de enchufar el cordón a un tomacorriente. Emplee un dispositivo indicador aceptable; conéctelo en el terminal de contacto central de puesta a tierra del enchufe y al tornillo de tierra ubicado en la parte posterior del gabinete
6. Reinstale la cubierta y el tornillo.



## Conexión de tres conductores



## ADVERTENCIA

En este diagrama, la secadora aparece sin la tapa de acceso para fines de ilustración únicamente. **NUNCA** ponga a funcionar la secadora sin la tapa de acceso.



## (Cordón de alimentación de cuatro conductores)

**IMPORTANTE:** Utilice solamente un cordón de suministro de energía eléctrica, en lista de U.L., de cuatro conductores calibre 10 (cobre solamente) con capacidad para 240 voltios (como mínimo) 30 amperios y que indique que es apropiado para secadoras de ropa.

**NOTA:** El cordón de alimentación no viene de fábrica con la secadora; por consiguiente, omita los pasos 2 y 3 siguientes cuando conecte un cable de alimentación de cuatro conductores a una secadora nueva.

Si la secadora tiene conectado un cordón de tres conductores, siga los pasos 1 al 12.



### ADVERTENCIA

Para reducir el riesgo de descarga eléctrica, desconecte el suministro eléctrico a la secadora antes de seguir las instrucciones siguientes.

1. Saque el tornillo que sujeta la placa de acceso a la parte posterior del gabinete de la secadora.
2. Saque los tres tornillos que sujetan los tres cables al bloque de terminales. **Guarde los tornillos.**
3. Afloje el tornillo del protector contra tirones y tire del cordón o de los cables hacia afuera por la parte posterior de la secadora.
4. Saque el tornillo de tierra del sujetador de terminal que fija el cable de tierra al soporte de montaje del bloque de terminales. **Guarde el tornillo.**

**NOTA:** EN SECADORAS NUEVAS, es el cable de tierra que va desde el terminal neutro (central) del bloque de terminales hasta el soporte de montaje.

5. Haga pasar el extremo del cordón de alimentación de cuatro conductores a través del protector contra tirones. **NO** apriete los tornillos del protector contra tirones todavía.
6. Inserte el extremo del cordón de alimentación y el protector contra tirones a través del agujero ubicado en la parte posterior del gabinete de la secadora. Instale la tuerca del protector contra tirones por la parte interior del gabinete y apriétela firmemente.
7. Acople el cable verde de tierra (del cordón de alimentación de cuatro conductores) al soporte de montaje del bloque de terminales mediante el tornillo de cabeza hexagonal que se sacó en el paso 4. Apriete firmemente el tornillo.

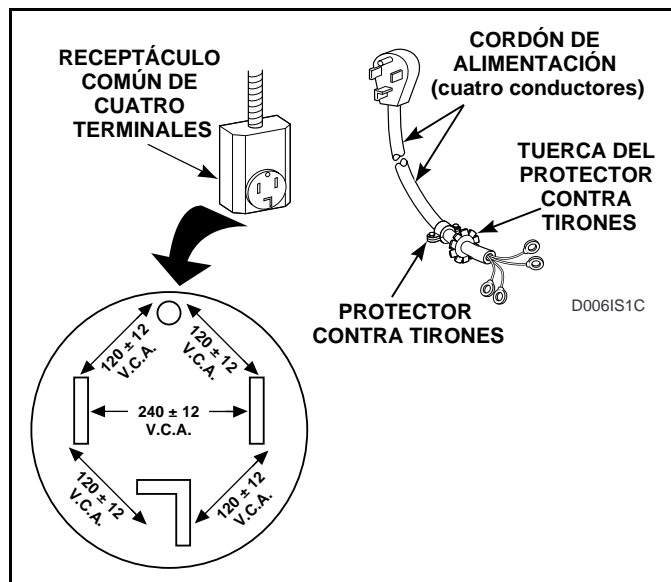
8. Utilizando los tres tornillos de conexión de cable (10-32 x 3/8 plg) que vienen en el paquete de accesorios en el sobre incluido dentro del tambor de la secadora (a menos que se hayan sacado durante el paso 2), acople los cables del cordón de alimentación al bloque de terminales como se indica a continuación:

- a. Rojo con rojo
- b. Negro con negro
- c. Blanco con blanco (consulte la NOTA siguiente)

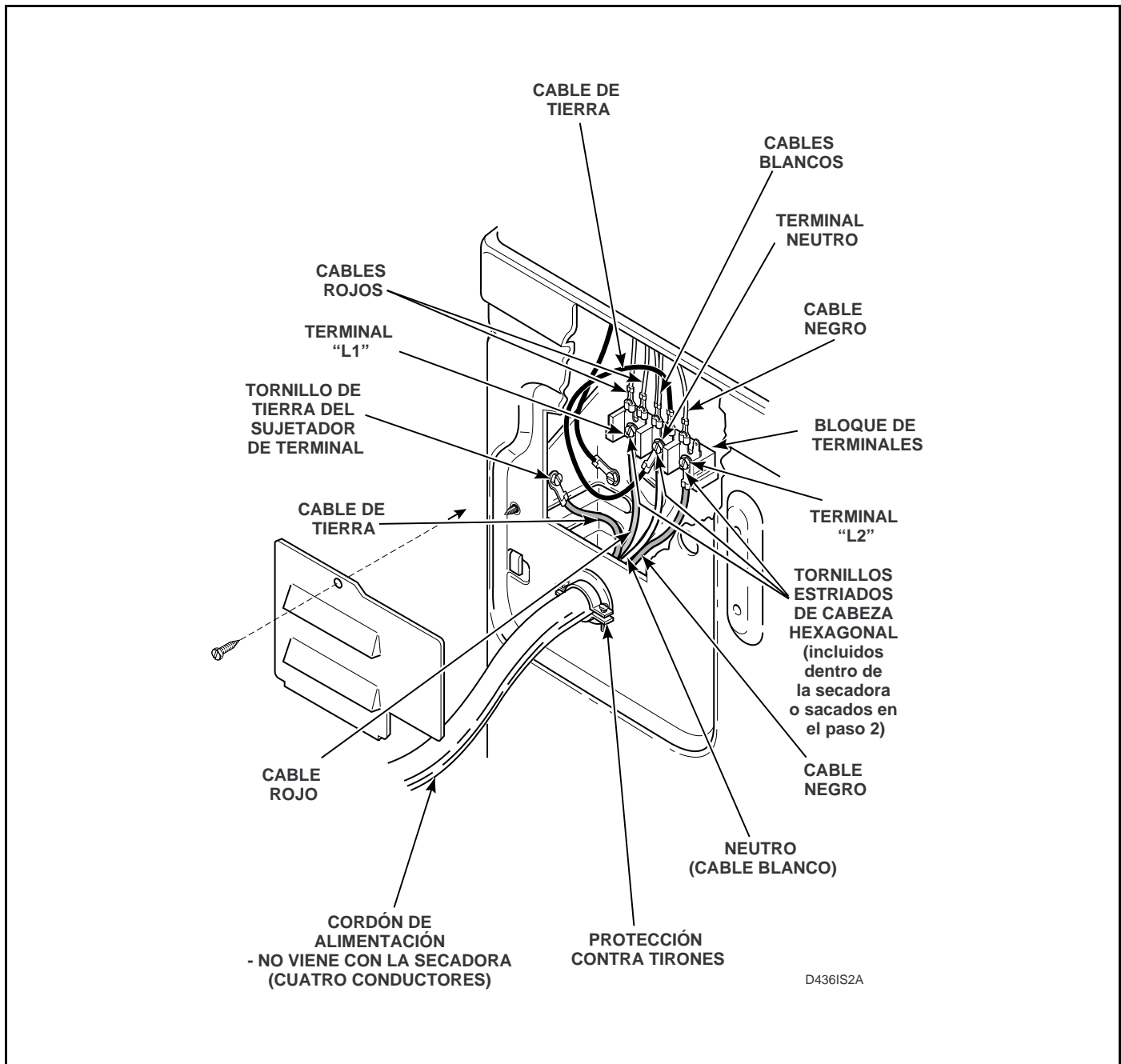
**NOTA:** Al instalar el cable blanco, haga un bucle con el terminal de tornillo libre del cable de tierra (del paso 4), colóquelo junto con el cable blanco y conecte ambos cables al terminal neutro (central) del bloque de terminales. Consulte la página siguiente.

**IMPORTANTE:** Si no se aprietan firmemente las tuercas en el bloque de terminales es posible que ocurra una falla en la conexión del cordón de alimentación.

9. Apriete los dos tornillos del protector contra tirones para asegurar el cordón de alimentación.
10. Vuelva a verificar que todos los tornillos están bien apretados.
11. Compruebe la continuidad de la conexión de tierra antes de enchufar el cordón a un tomacorriente. Utilice un dispositivo indicador aceptable conectado al terminal de tierra central del enchufe y al tornillo verde ubicado en la parte posterior del gabinete. Vea la ilustración de la página siguiente.
12. Reinstale la placa de acceso y el tornillo a la parte posterior del gabinete de la secadora.



## Conexión de cuatro conductores




### ADVERTENCIA

En este diagrama, la secadora aparece sin la tapa de acceso para fines de ilustración únicamente. Para reducir el riesgo de descarga eléctrica, **NUNCA** ponga a funcionar la secadora sin la tapa de acceso.

# Requisitos eléctricos para secadoras a gas . . .

(Enchufe de tierra de tres terminales de 120 voltios, 60 Hertz)


NOTA: El diagrama de cableado se encuentra detrás del panel de control, dentro del gabinete de control.



## ADVERTENCIA

Para reducir el riesgo de incendio, descarga eléctrica o lesiones graves, todo el cableado y las conexiones a tierra DEBERÁN satisfacer la edición más reciente de las Normas para Instalaciones Eléctricas de los Estados Unidos (National Electrical Code), ANSI/NFPA 70 o las Normas para Instalaciones Eléctricas de Canadá, CSA C22.1, así como las normas locales aplicables. Es responsabilidad del cliente hacer revisar el cableado y los fusibles por un electricista calificado para asegurarse de que la sala de lavandería cuenta con la capacidad de energía eléctrica necesaria para hacer funcionar la secadora.

- La secadora está diseñada para conectarse a un circuito independiente de C.A. (corriente alterna) de 120 voltios 60 Hz de tres conductores debidamente conectado a tierra, protegido con un **fusible de 15 amperios** o con un cortacircuitos o Fusetron equivalente.
- El enchufe de tres terminales con conexión a tierra del cordón de alimentación debe enchufarse directamente en un receptáculo polarizado de tres terminales debidamente conectado a tierra y con una capacidad de 120 voltios de C.A. (corriente alterna) y 15 amperios. Para determinar la polaridad correcta del receptáculo de pared vea la ilustración siguiente.




## ADVERTENCIA

Esta secadora está equipada con un enchufe de tres terminales (con conexión a tierra) para proteger al usuario contra posibles descargas eléctricas, el cual deberá conectarse directamente a un receptáculo de tres terminales debidamente conectado a tierra. No corte o anule el terminal de tierra del enchufe.

NOTA: Llame a un electricista calificado para que revise la polaridad de los receptáculos de pared. Si la lectura del voltaje es distinta a la que aparece en la ilustración, el electricista debe solucionar el problema.

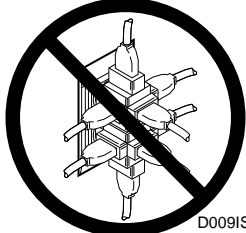
- NO UTILICE EL MISMO CIRCUITO PARA HACER FUNCIONAR OTROS EQUIPOS MIENTRAS ESTÉ FUNCIONANDO LA SECADORA. NO SOBRECARGUE LOS CIRCUITOS.
- NO conecte la lavadora y la secadora de gas al mismo circuito. Utilice circuitos separados protegidos con un fusible de 15 amperios.



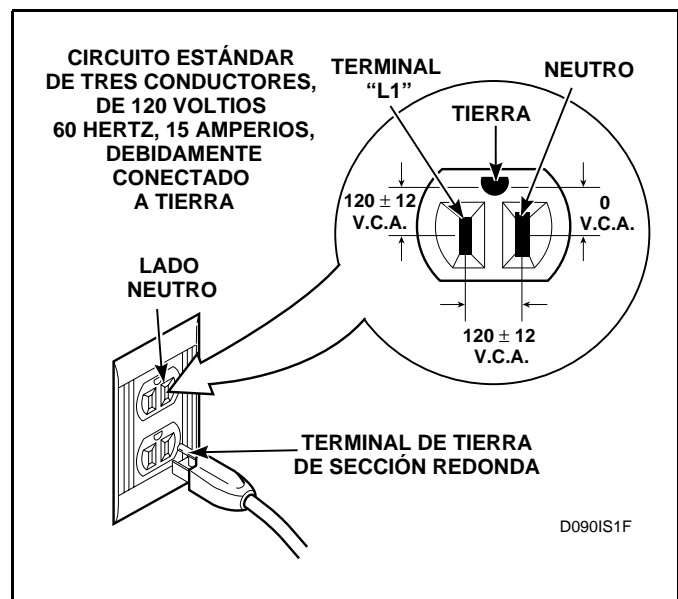
## ADVERTENCIA

Para reducir el riesgo de descargas eléctricas o incendio, NO utilice un adaptador o cordón de extensión para conectar la secadora a la fuente de energía eléctrica.

- NO SOBRECARGUE LOS CIRCUITOS
- NO UTILICE ADAPTADOR
- NO UTILICE CORDÓN DE EXTENSIÓN



D009IS1C



## Instrucciones de conexión a tierra

- La secadora tiene que conectarse a tierra. En caso de mal funcionamiento o avería, la conexión a tierra reduce el riesgo de descarga eléctrica al proporcionar una ruta de menor resistencia para la corriente eléctrica. La secadora tiene un cordón con un conductor de tierra del equipo y un enchufe de tres terminales con conexión de tierra. Este enchufe deberá conectarse directamente a un tomacorriente adecuado, debidamente conectado a tierra según los códigos y ordenanzas locales.



### ADVERTENCIA

**La conexión indebida del conductor de tierra del equipo podría poner a las personas en peligro de descarga eléctrica. Consulte a un técnico de mantenimiento o electricista calificado si no está seguro de que la secadora está debidamente conectada a tierra.**

- **NO** modifique el enchufe que trae la secadora—si el enchufe no entra en el tomacorriente, contrate los servicios de un electricista calificado para que instale el tomacorriente adecuado.
- Si el suministro de energía eléctrica de la sala de lavandería no satisface las especificaciones antes mencionadas y/o no está seguro de que cuenta con la debida conexión a tierra, haga que un electricista calificado o la compañía de electricidad revise la instalación y corrija los problemas que encuentre.

# Requisitos de la fuente de suministro de gas . . .

## (secadoras a gas)

**NOTA:** El servicio de gas para las secadoras a gas debe cumplir con las estipulaciones de los códigos y ordenanzas locales, o en ausencia de los mismos, debe satisfacer la última edición del Código nacional sobre gas combustible ANSI Z223.1/NFPA 54 o el Código nacional para la instalación de gas combustible CAN/CGA-B149.

**Gas natural**, 1,000 Btu/pie<sup>3</sup> (37.3 MJ/m<sup>3</sup>) - El servicio de gas deberá suministrarse a una presión de columna de agua de 6.5 ± 1.5 pulgadas.

Para un funcionamiento apropiado a altitudes superiores a los 2,000 pies (610 m), el tamaño del orificio del mechero de la válvula de gas debe reducirse, a fin de garantizar una combustión completa. Véase la tabla de la derecha.

**Gas propano líquido**, 2,500 Btu/pie<sup>3</sup> (93.1 MJ/m<sup>3</sup>) - El servicio de gas deberá suministrarse a una presión de columna de agua de 10 ± 1.5 pulgadas.

**NOTA: NO conecte la secadora al servicio de gas propano líquido sin la previa conversión de la válvula de gas. Deberá hacer que el concesionario o distribuidor autorizado por el fabricante, o personal de servicio local, instale un conjunto de conversión a gas propano líquido (Nº 458P3).**

**NOTA: La secadora y su válvula de cierre deben desconectarse del tubo de suministro de gas durante la realización de pruebas de presión del sistema, cuando las presiones de prueba sean superiores a 1/2 psi (3.45 kPa).**

La secadora debe aislarse del sistema de tuberías de suministro de gas mediante la válvula de cierre manual durante cualquier prueba de presión de dicho sistema de tuberías cuando las presiones de prueba sean iguales o menores a 1/2 psi (3.45 kPa).

**NOTA: Al conectarse la secadora a una tubería de gas, debe instalarse una válvula de cierre a una distancia no mayor de 1.8 m (6 pies) de la secadora. Asimismo, debe instalarse un tapón de tubo N.P.T. de 1/8 plg tal como se indica en la ilustración.**

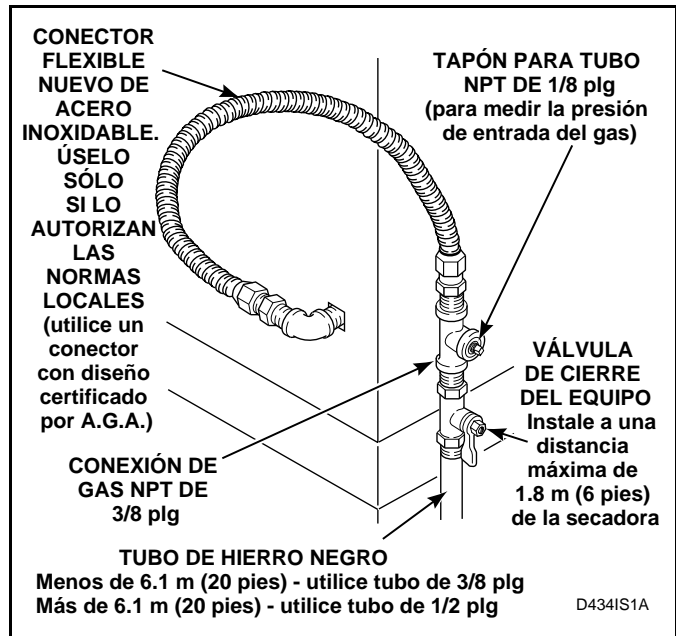
Altitud		Tamaño del orificio			Número de pieza
Pies	Metros	Nº	Pulgadas	Milímetros	
2000	610	41	0.0960	2.44	503776
3000	915	42	0.0935	2.37	503777
5500	1680	43	0.0890	2.26	503778
7000	2135	44	0.0860	2.18	58719
9000	2745	45	0.0820	2.08	503779
10500	3200	46	0.0810	2.06	503780



### ADVERTENCIA

Para reducir el riesgo de fugas de gas, incendio o explosión:

- La secadora deberá conectarse al tipo de gas indicado en la placa de identificación fijada en la compuerta.
- Utilice un conector flexible nuevo de acero inoxidable.
- Utilice compuesto para uniones de tubería que sea insoluble en gas propano líquido o, en su defecto, cinta de teflón, en todas las roscas de unión de tubería.
- Purgue el aire y sedimentos de la línea de suministro de gas antes de conectarla a la secadora. Antes de apretar la conexión, purgue el aire remanente de la línea de gas a la secadora hasta que se detecte olor a gas. Este paso es necesario para evitar la contaminación de la válvula de gas.
- No utilice una llama para comprobar que no hay fugas de gas. Utilice un líquido detector de fugas no corrosivo.



# Requisitos del lugar . . .

Seleccione un área donde el piso sea firme.

La unidad no debe instalarse o colocarse en un área donde esté expuesta al agua o a la intemperie.

Las patas de nivelación pueden ajustarse desde la parte interna de la unidad con una llave de cubo profundo de 9/16 plg. Las cuatro patas deben descansar firmemente sobre el piso, de manera que el peso de la unidad quede distribuido uniformemente. La unidad no debe cojear y ha de ser nivelada, no solo en sentido lateral sino también de atrás hacia adelante.

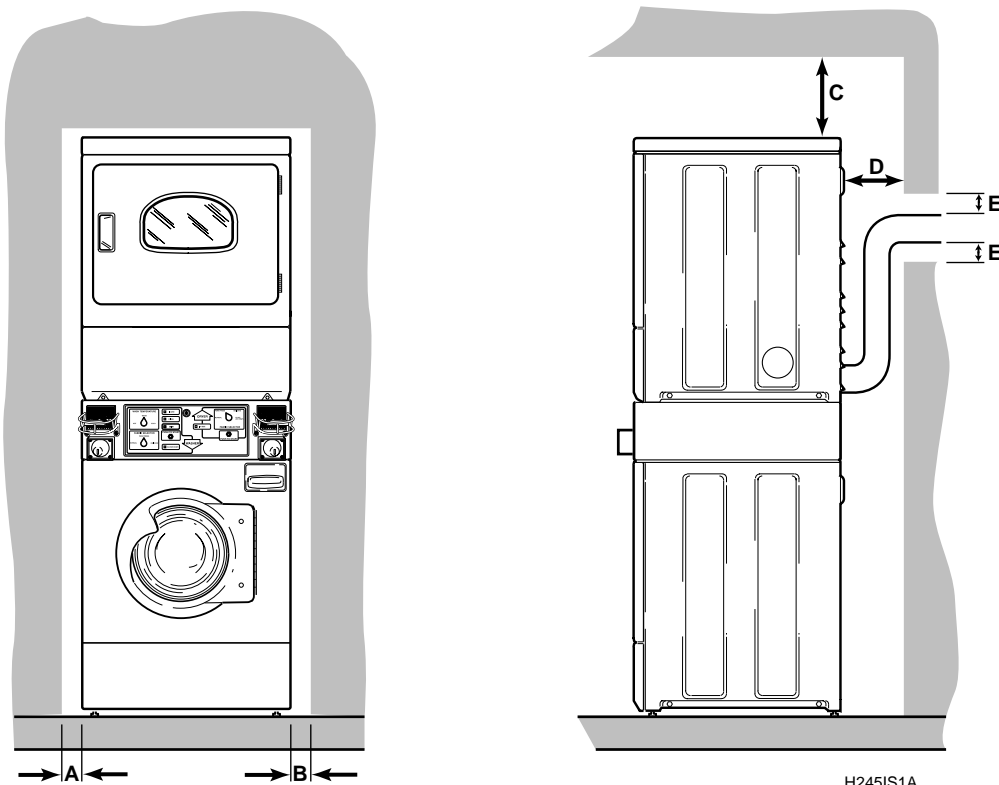
**IMPORTANTE: NO deslice la unidad sobre el piso a menos que esté completamente armada. NO deslice la unidad más de 1.2 metros (4 pies) sobre el piso con las patas de nivelación extendidas, ya que tanto las patas como la base podrían dañarse.**

La unidad necesita un espacio libre y un suministro de aire suficientes para un funcionamiento y ventilación idóneos, y para una instalación y mantenimiento más fáciles. (El espacio libre mínimo aparece a continuación).


## Espacios libres requeridos por la secadora y el ducto de escape

Área	Descripción	Espacio mínimo
A	Lado izquierdo de la secadora	0 cm (0 plg)
B	Lado derecho de la secadora	2.54 cm (1 plg)
C	Parte superior de la secadora	15.24 cm (6 plg)
D	Parte trasera de la secadora	5.1 cm (2 plg)
E	Separación entre el ducto de escape y un material combustible	5.1 cm (2 plg)

NOTA: Las áreas sombreadas indican la estructura adyacente.



# Requisitos del sistema de escape de la secadora . . .

	<b>ADVERTENCIA</b>
<p>Las secadoras de ropa producen pelusas combustibles. Para reducir el riesgo de incendio y acumulación de gases de combustión, la secadora DEBERÁ contar con una tubería de escape al exterior.</p> <p>Este equipo a gas contiene o produce uno o más productos químicos que son altamente nocivos o incluso letales, y que el Estado de California, EE.UU., ha identificado como causantes de cáncer, defectos de nacimiento y otros peligros para la reproducción. Para reducir el riesgo que representan las sustancias presentes en el combustible o en su combustión, asegúrese de instalar, operar y mantener este equipo según las instrucciones que aparecen en este manual.</p> <p>Para reducir el riesgo de incendio y acumulación de gases de la combustión, <b>NO</b> libere el escape de la secadora a través de un agujero en una ventana, agujero de ventilación de gas, chimenea o en un área cerrada sin ventilación, como por ejemplo un ático, pared, techo, espacio vacío de poca altura debajo de un edificio o cualquier otro espacio cerrado.</p> <p>Para reducir el riesgo de incendio, <b>NO</b> utilice tubos de plástico, ya sean rígidos o flexibles, en el escape de la secadora.</p>	

Nunca instale el ducto flexible en espacios ocultos, como por ejemplo una pared o el techo.

## Materiales del sistema de escape

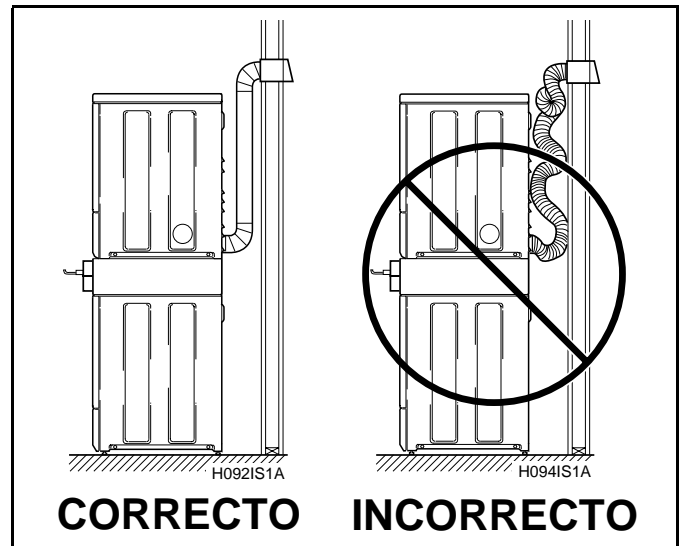
Los materiales del sistema de escape no se suministran con la unidad.

El ducto de escape deberá tener 10.2 cm (4") de diámetro y no tener ningún tipo de obstrucción. Se recomienda un ducto metálico rígido. También puede utilizarse un ducto metálico flexible semirrígido fabricado con un material que no sea combustible. **No utilice** tubos de plástico, ya sean rígidos o flexibles, ya que provocan un funcionamiento deficiente de la secadora y recogen pelusas, lo que podría constituir riesgo de incendio.

**NO UTILICE** tornillos autorroscantes u otro tipo de piezas de unión que sobresalgan por la parte interior del ducto y que puedan captar pelusas y reducir la eficiencia del sistema de escape. Asegure bien todas las conexiones con cinta aislante para ductos.

DESCRIPCIÓN	N/P DEL CONJUNTO	PUEDA OBTENERSE LOCALMENTE
Ducto de escape (4 plg de diámetro)	No disponible	Sí
Ducto de metal flexible (4 plg de diámetro)	521P3	Sí
Tapas abisagradas para intemperie equipadas con resortes (4 plg)	No disponible	Sí
Conjunto de escape direccional	528P3	No
Cinta	No disponible	Sí

**NOTA:** Los conjuntos de piezas antes descritos son materiales opcionales del sistema de escape, disponibles a un costo adicional.



## Requisitos de aire de reposición

Una secadora expulsa 214 pies cúbicos por minuto (medidos en la parte trasera de la secadora) por lo que deberá suministrarse suficiente aire de reposición para reemplazar el aire expulsado por la secadora.

La secadora DEBERÁ contar con una abertura sin obstrucciones de por lo menos 40 pulgadas cuadradas (260 cm<sup>2</sup>) de aire de reposición proveniente del exterior. Las rejillas protectoras en la abertura al exterior pueden reducir el flujo del aire entre un 35 a un 40 por ciento aproximadamente. Cerciórese de que la abertura sea suficientemente grande para compensar el efecto reductor de la rejilla.

Si es necesario proporcionar aire de reposición a la secadora mediante ducto, aumente en un 25 por ciento el área de tendido del ducto para compensar la reducción en el flujo de aire. Asimismo, el ducto de aire de reposición no debe extenderse más de dos pies (60 cm) sobre el piso, exactamente detrás de la secadora.

## Sistema de escape

**IMPORTANTE:** Mantenga el ducto de escape lo más corto posible.

**NOTA:** Asegúrese de que los ductos viejos sean limpiados antes de instalar la secadora nueva.

Más abajo se presentan las longitudes máximas recomendadas del sistema de escape para obtener resultados óptimos en el secado.

Para evitar la entrada de partículas del exterior cuando la secadora no está funcionando, el extremo exterior de la tubería de escape debe tener una tapa abisagrada para intemperie equipada con resorte (adquírela localmente).

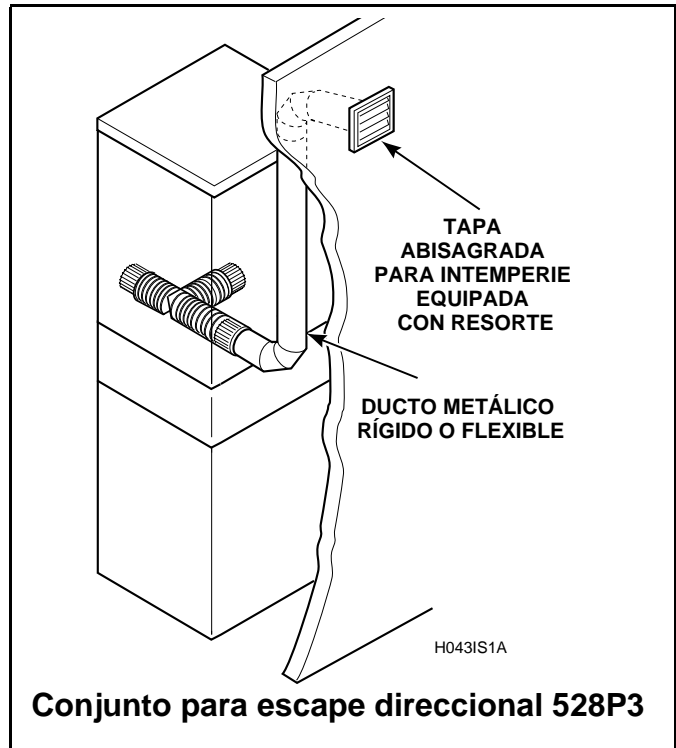
**NOTA:** La tapa para intemperie debe instalarse a una altura de por lo menos 30.5 cm (12 pulgadas) sobre el suelo. En instalaciones donde es posible la caída de una gran cantidad de nieve se requerirán alturas mayores.

## Dirección del escape

El escape de la secadora puede expulsarse hacia el exterior por la parte trasera, izquierda o derecha de la secadora. **EXCEPCIÓN:** Las secadoras a gas no pueden tener aberturas de escape en la parte izquierda, debido a que allí se encuentra la caja del quemador.

La unidad sale de la fábrica lista para que se le instale el sistema de escape en la parte trasera. **No requiere piezas adicionales.**

Puede instalarse el sistema de escape de la secadora por los lados utilizando el conjunto de piezas para el sistema de escape direccional 528P3, disponible como equipo adicional a un costo adicional.



Cantidad de codos de 90°	Tipo de tapa para intemperie	
	Modelo sugerido	Use únicamente con instalaciones cortas
	<p>10.2 cm (4 plg) D011IS2D</p>	<p>6.35 cm (2-1/2 plg) D011IS2E</p>
	<b>Longitud máxima del ducto metálico rígido de 10.2 cm (4 plg) de diámetro.</b>	
0	13.4 m (44 pies)	10.4 m (34 pies)
1	10.4 m (34 pies)	7.9 m (26 pies)
2	7.9 m (26 pies)	6.1 m (20 pies)
3	6.1 m (20 pies)	4.3 m (14 pies)
	<b>Longitud máxima del ducto metálico flexible de 10.2 cm (4 plg) de diámetro.</b>	
0	7.3 m (24 pies)	6.1 m (20 pies)
1	6.1 m (20 pies)	4.9 m (16 pies)
2	4.9 m (16 pies)	3.7 m (12 pies)
3	3.7 m (12 pies)	2.4 m (8 pies)

**NOTA:** Reste 1.8 m (6 pies) por cada codo adicional.



## Mantenimiento del sistema de escape

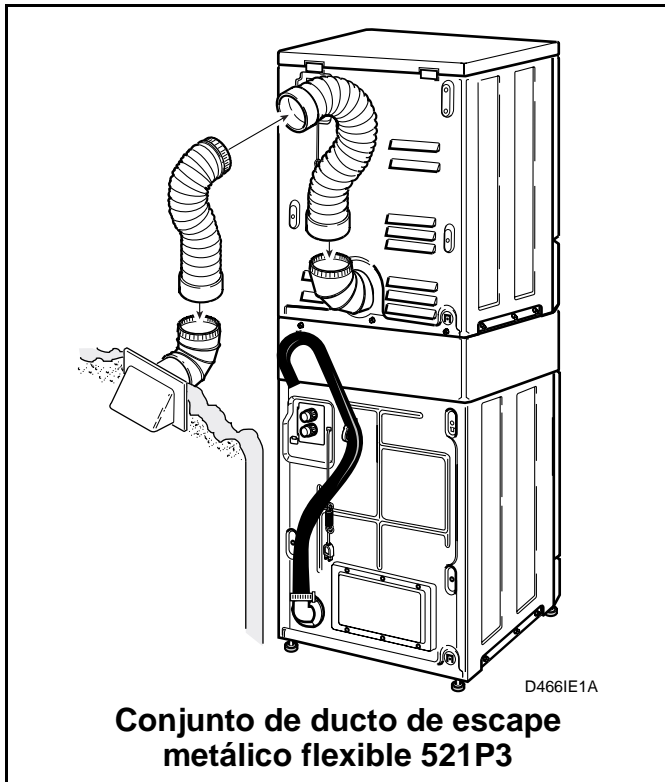
Después de utilizar la secadora durante un año, debe inspeccionarse el interior de la misma y el sistema de escape y limpiarlos si es necesario. En lo sucesivo, revise y limpie el ducto de escape cada uno o dos años, según sea necesario. Debe hacer revisar la tapa para intemperie frecuentemente para asegurarse de que el mecanismo articulado se mueve libremente, no está bloqueado y no hay nada apoyado al mismo. Este mantenimiento debe ser realizado por personal calificado.



### ADVERTENCIA

Para reducir el riesgo de descarga eléctrica, desconecte el suministro eléctrico a la secadora antes de limpiarla.

Para expulsar el escape en lugares de difícil acceso, puede instalarse el Conjunto de ducto de escape metálico flexible 521P3 como equipo opcional con un costo adicional. El conjunto consta de dos piezas que pueden conectarse por separado a la secadora y al tomacorriente de pared. Una vez fijadas ambas piezas, la unidad puede colocarse nuevamente en la posición adecuada.

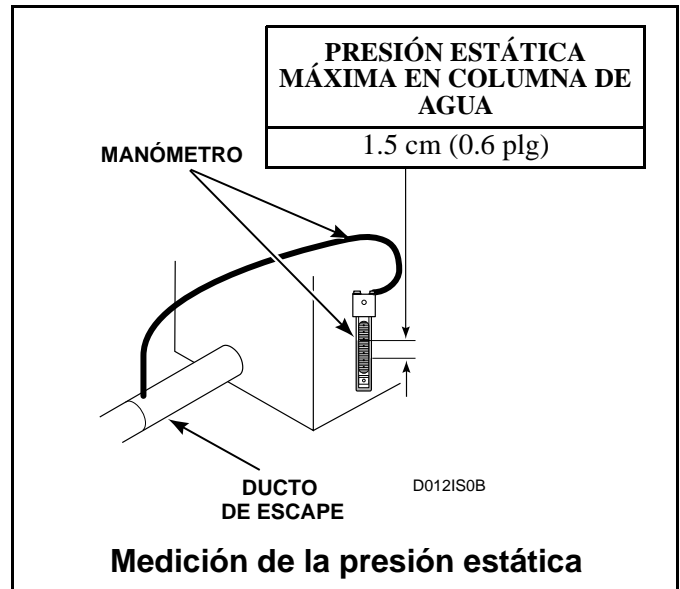


## Flujo de aire de la secadora

Para funcionar adecuadamente, la secadora debe contar con el flujo de aire apropiado. El adecuado flujo de aire puede determinarse midiendo la presión estática.

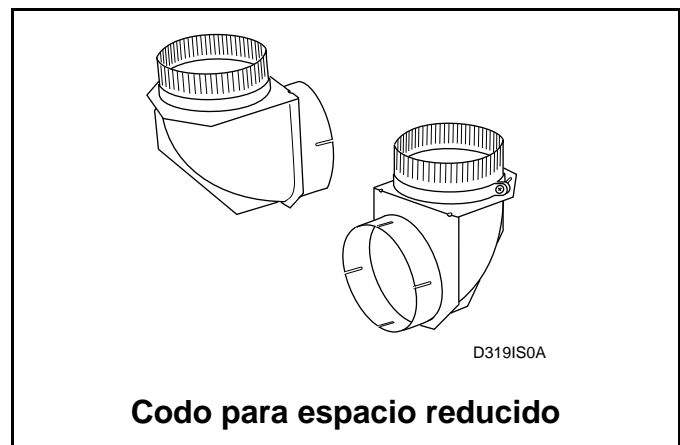
La presión estática del ducto de escape de la secadora no debe ser mayor a la que se indica en el diagrama. (Revise la presión con la secadora funcionando sin carga de ropa).

**NOTA: La presión puede medirse colocando un manómetro en el ducto de escape a aproximadamente 61 cm (2') de la secadora. Véase el cuadro ilustrativo.**



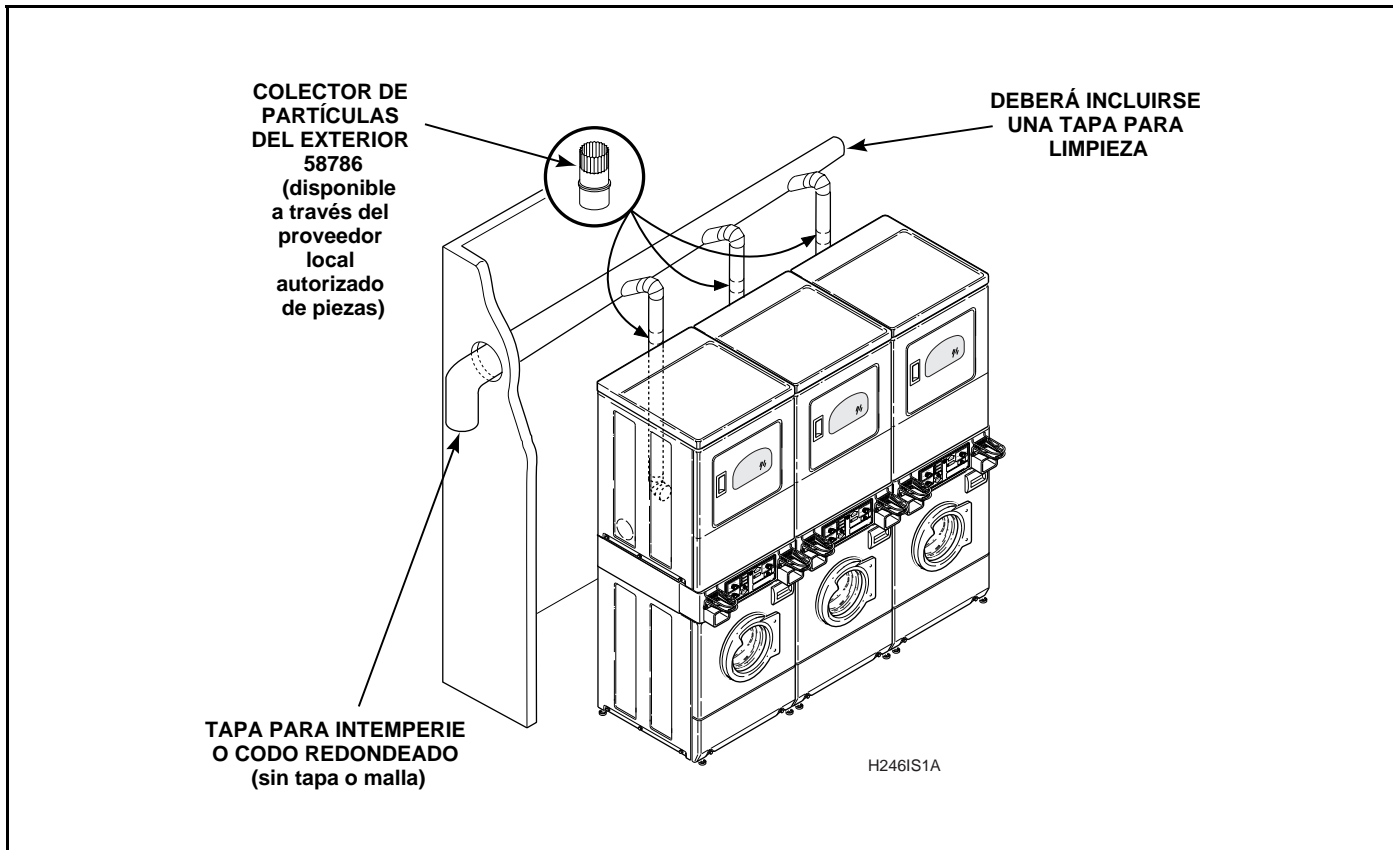
## Codo para espacio reducido

Cuando se instala la secadora en un clóset poco profundo, puede utilizarse un codo, pieza No. 62688, que es una pulgada más delgado que el codo para abertura de escape estándar.



# Instalación de múltiples secadoras requisitos de escape . . .

- La siguiente ilustración muestra un ejemplo típico de una instalación de secadoras múltiples. Note que cada secadora cuenta con su propio sistema de escape que se enruta al ducto central de escape.



**IMPORTANTE:** La presión estática del ducto de escape no debe ser mayor que la indicada en la tabla de la página 87. La medición puede realizarse colocando un manómetro en el ducto de escape, aproximadamente a 61 cm (2') de la secadora. Consulte la página 87. Al medir la presión deben estar funcionando todas las secadoras conectadas al colector principal.

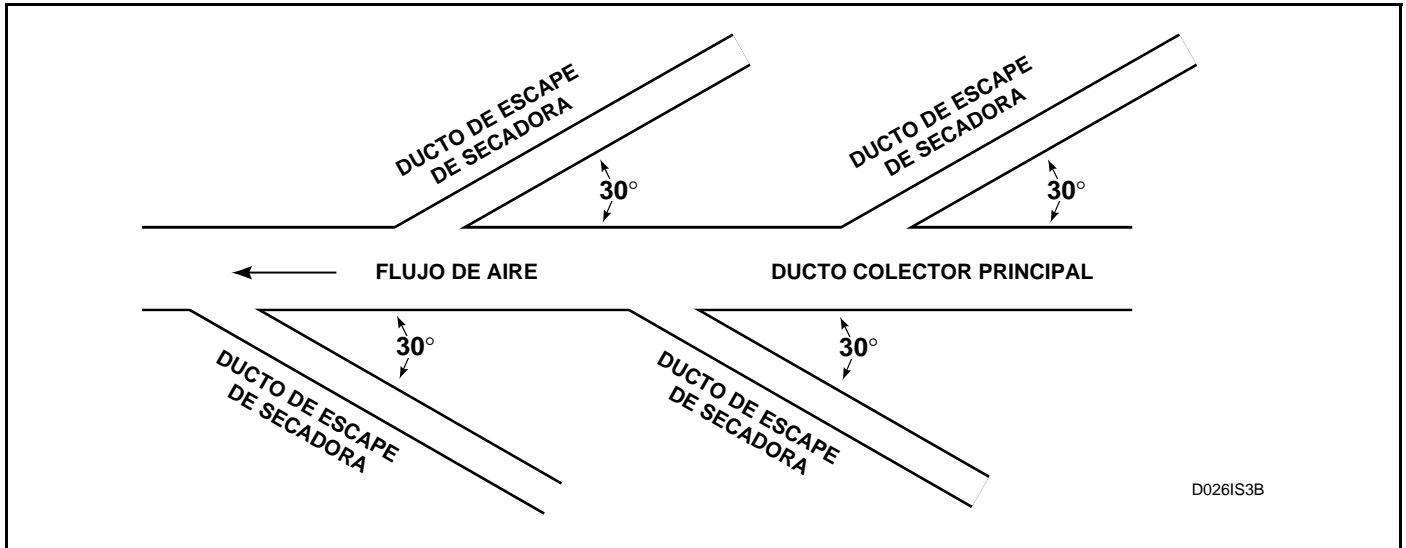
La instalación de un sistema de escape no elimina la necesidad de limpiar el filtro de pelusas de la secadora antes de cargar la máquina. El interior de la secadora y el sistema de escape completo deben ser limpiados periódicamente por personal de servicio calificado a fin de eliminar las acumulaciones de pelusas.



## ADVERTENCIA

Para reducir el riesgo de descarga eléctrica, desconecte el suministro de energía eléctrica a la secadora antes de la limpieza.

- El ducto de escape de cada secadora debe unirse al ducto principal formando un ángulo no mayor de 30 grados que apunte en la dirección del flujo de aire. Los ductos de entrada al ducto principal provenientes de los lados opuestos deben escalonarse de modo que no se opongan unos con otros. Vea la ilustración siguiente.



- Debe establecerse un programa de remoción de pelusas y limpieza periódicas del ducto colector principal.
- El extremo exterior del ducto principal debe tener instalada una tapa para intemperie (abisagrada y equipada con resorte) para evitar que pasen las precipitaciones, insectos, suciedad y polvo hacia dentro de las secadoras.
- Si no puede usarse una tapa para intemperie, el extremo exterior del ducto principal debe tener instalado un codo redondeado, dirigido hacia abajo como se muestra en la página siguiente. Si el ducto principal pasa verticalmente a través de un techo en lugar de pasar a través de una pared, instale un codo redondeado de 180 grados en el extremo del ducto con una abertura de salida de por lo menos 61 cm (2') por encima de la parte más alta del edificio.

- Deberá suministrarse una cantidad suficiente de aire de reposición para reemplazar el aire expulsado por las secadoras.

**NOTA:** En el punto donde el ducto de escape atraviesa la pared o el cielo raso, debe disponerse una abertura con un diámetro 10.2 cm (4") mayor que el diámetro del ducto de escape. El ducto deberá quedar centrado dentro de la abertura.

- Deberá instalarse un colector, número de pieza 58786, en el sistema de escape de la secadora. Así se impide la entrada de partículas del exterior cuando la secadora no se está utilizando y se mantiene el aire de escape en equilibrio con el sistema de escape central.

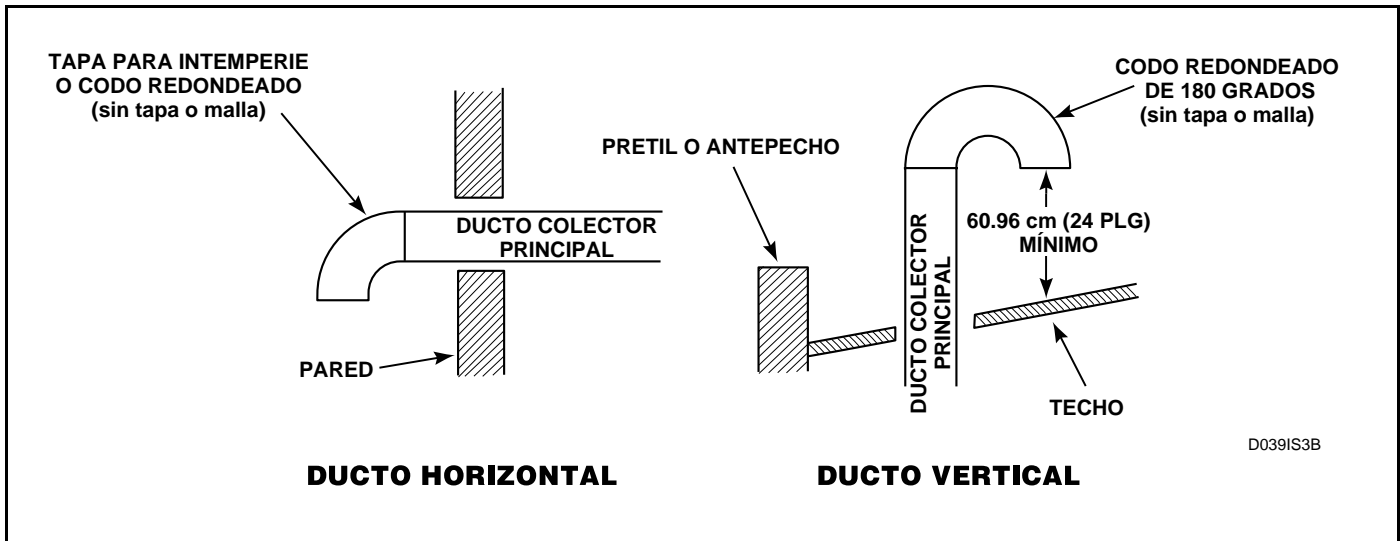
**IMPORTANTE:** Deberán hacerse los arreglos necesarios para proporcionar aire de reposición.

**IMPORTANTE:** Si el escape de varias secadoras se expulsa hacia un ducto colector principal, es esencial que los ductos sean del tamaño adecuado y debidamente construidos para lograr un funcionamiento eficiente.



## ADVERTENCIA

Para reducir el riesgo de incendio y acumulación de gases de la combustión, **NO libere el escape de la secadora a través de un agujero en una ventana, agujero de ventilación de gas, chimenea o en un área cerrada sin ventilación, como por ejemplo un ático, pared, techo, espacio vacío de poca altura debajo de un edificio o cualquier otro espacio cerrado.**



- El tamaño del ducto colector principal debe determinarse según las especificaciones presentadas a continuación.

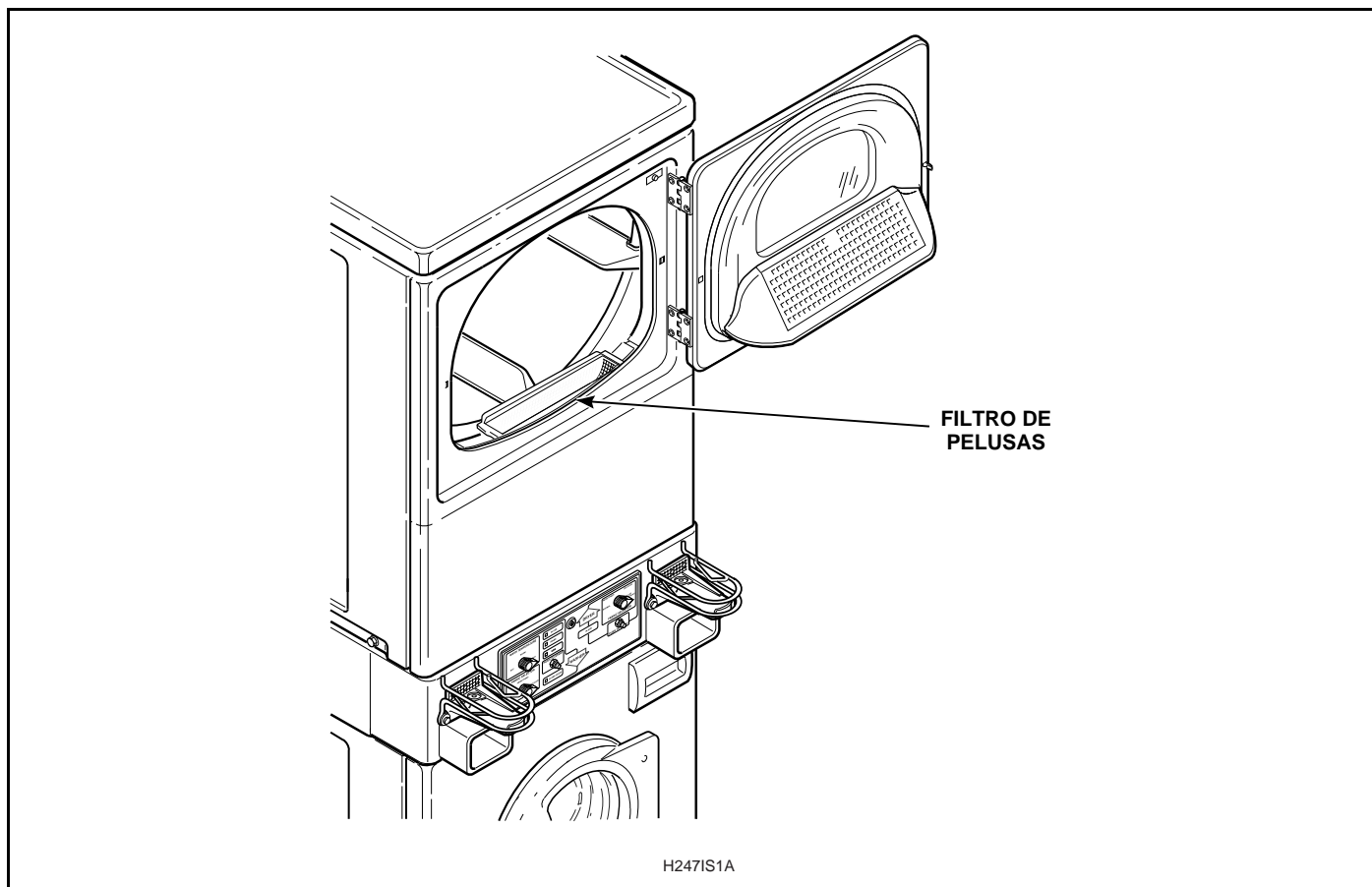
Cantidad de secadoras	Diámetro mínimo del ducto colector horizontal	Diámetro mínimo del ducto colector vertical
2	17.8 cm (7 plg)	20.3 cm (8 plg)
3	20.3 cm (8 plg)	22.9 cm (9 plg)
4	22.9 cm (9 plg)	25.4 cm (10 plg)
5	25.4 cm (10 plg)	27.9 cm (11 plg)
6	27.9 cm (11 plg)	30.5 cm (12 plg)
7	30.5 cm (12 plg)	32.6 cm (13 plg)
8	30.5 cm (12 plg)	35.6 cm (14 plg)
9	32.6 cm (13 plg)	38.1 cm (15 plg)
10	35.6 cm (14 plg)	38.1 cm (15 plg)
11	35.6 cm (14 plg)	40.6 cm (16 plg)

**NOTA:** El ducto colector principal debe estar equipado con un ventilador auxiliar que pueda mantener el flujo de aire en el ducto a un mínimo de 366 m (1200 pies) por minuto. Si no dispone de un ventilador, limpie el ducto colector principal por lo menos dos veces al año.

## Filtro de pelusas . . .

LIMPIE EL FILTRO DE PELUSAS ANTES DE SECAR CADA CARGA DE ROPA. (Vea la ilustración siguiente para determinar la localización del filtro de pelusas). La limpieza del filtro de pelusas es importante ya que la capa de pelusas que se deposita en el filtro

bloquea el flujo de aire a través de la secadora, reduciendo así la eficiencia de la secadora. Tomará más tiempo secar la ropa y se desperdiciará energía.



## Protector de sobrecarga del motor de la secadora . . .

El protector de sobrecarga detiene el motor automáticamente en caso de sobrecarga. Después de que se enfría, el protector de sobrecarga se reinicializa por sí solo. La secadora puede reanunciarse oprimiendo el botón

rotulado PUSH-TO-START (oprime para arrancar). Si el protector de sobrecarga se vuelve a disparar, no utilice más la secadora hasta que el personal de servicio corrija el problema.

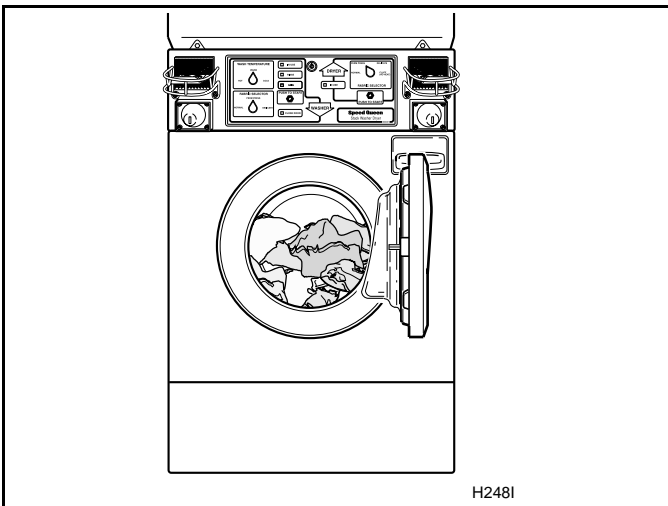
# Instrucciones de operación de lavadoras electromecánicas . . .

**IMPORTANTE:** Antes de utilizar la lavadora por primera vez, aplique un limpiador para todo uso o una solución de agua y detergente con un paño húmedo, a fin de eliminar el polvo que pueda haber caído en el tambor de la lavadora.

## Paso 1:

### Cargue la ropa

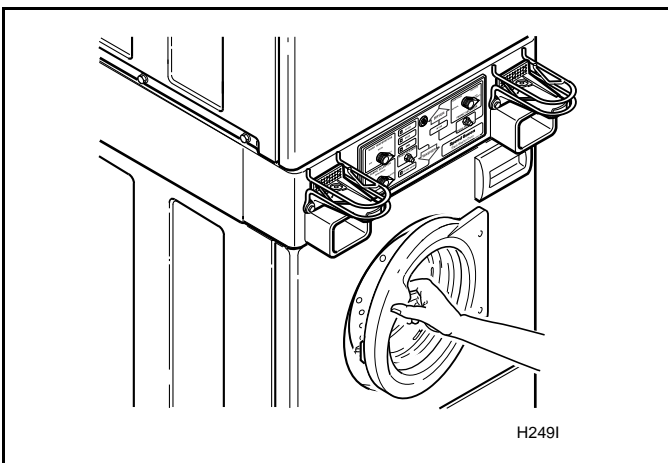
Coloque la ropa en la tina de manera que quede distribuida holgadamente.



## Paso 2:

### Cierre la compuerta de carga

Cierre firmemente la compuerta de carga. La lavadora no funcionará si la puerta de carga está abierta.




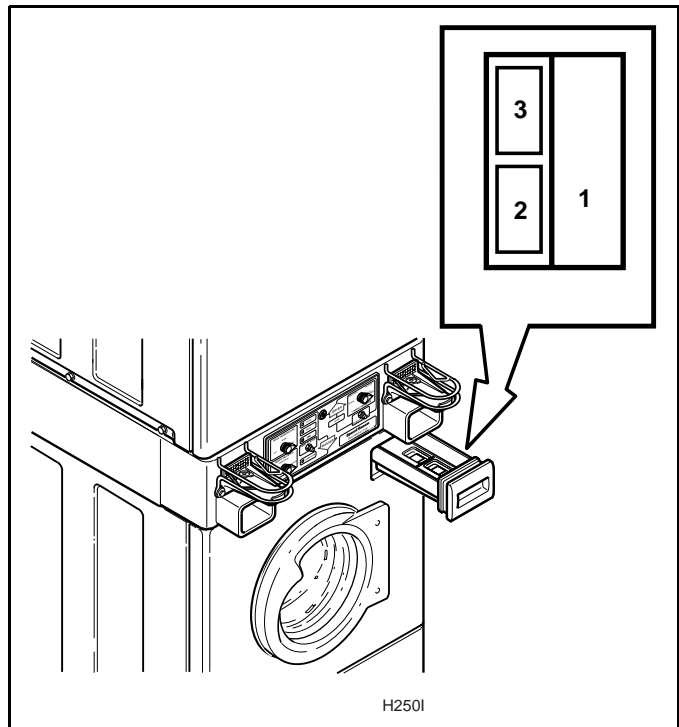
## Paso 3:

### Agregue los productos para lavar

Abra el alojamiento del surtidor. Mida y agregue detergente de baja espuma (1), blanqueador (2) y suavizador de tela (3) en el alojamiento del surtidor (vea la ilustración). Cierre el alojamiento del surtidor.

**IMPORTANTE:** Si utiliza detergentes elaborados para lavadoras de carga por la parte superior, emplee la mitad de la cantidad recomendada para evitar que se produzca demasiada espuma.

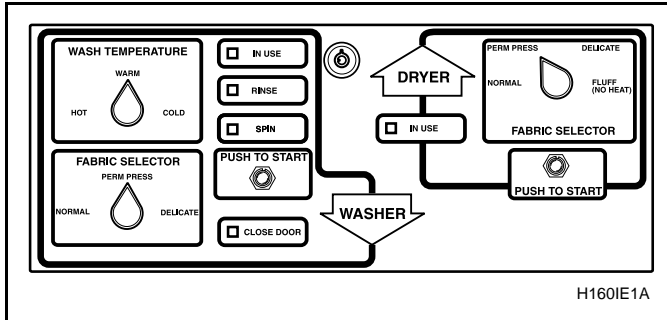
	<b>PRECAUCIÓN</b>
<p>Para desmontar la gaveta del surtidor se requiere una herramienta especial. Póngase en contacto con el personal de servicio si necesita sacarla.</p>	
W236S	



## Paso 4:

### Determine los controles apropiados para la lavadora

La dirección de la flecha indica cuáles controles corresponden a la lavadora.

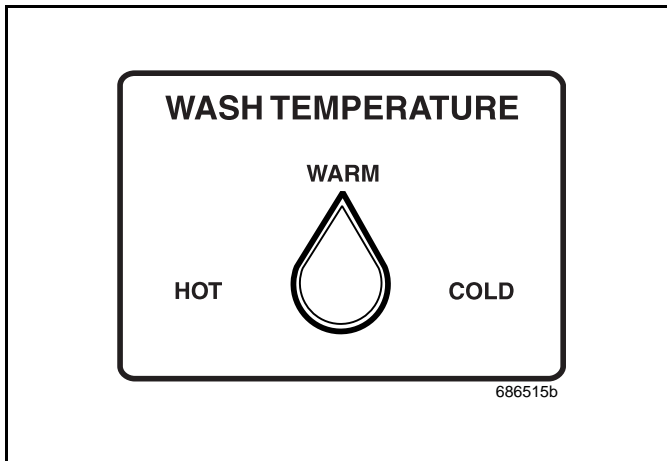


## Paso 5:

### Seleccione las temperaturas de lavado y enjuague (WASH/RINSE)

Seleccione HOT (caliente) (enjuague con agua fría), WARM (tibia) (enjuague con agua fría) o COLD (fría) (enjuague con agua fría).

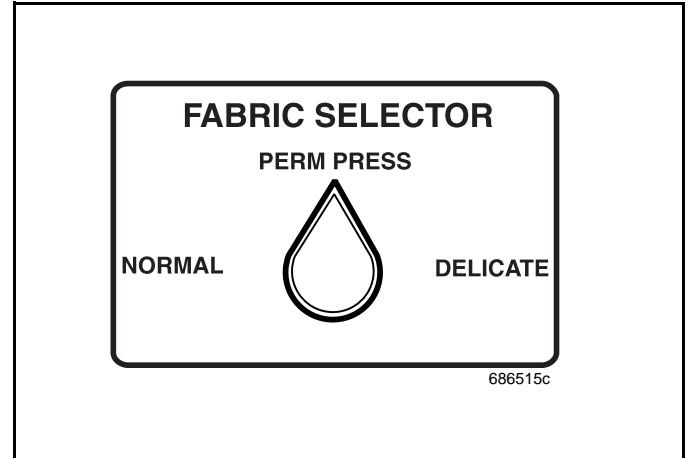
**NOTA:** Siempre siga las instrucciones que aparecen en las etiquetas para el cuidado de los artículos a lavar.



## Paso 6:

### Ajuste el selector de tela

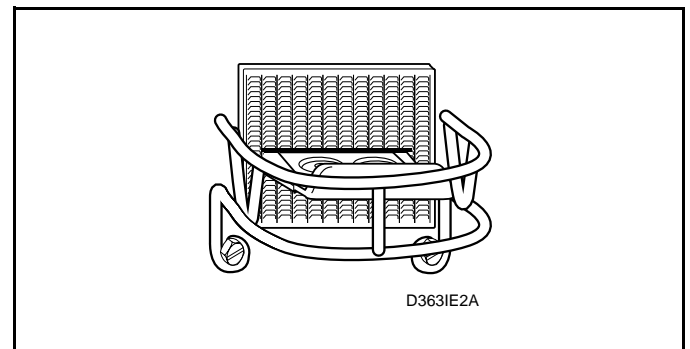
Para cargas regulares coloque el selector en la posición **NORMAL** o **PERM PRESS** (normal o planchado permanente). Para cargas de ropa delicada coloque el selector en la posición **DELICATE** (delicada).



## Paso 7:

### Deposite la(s) moneda(s)

Coloque la(s) moneda(s) en el tragamonedas y empújelo cuidadosamente lo más adentro que pueda. Seguidamente tire del tragamonedas hacia fuera lo más que pueda. Tras encenderse la luz **IN USE** (en uso) que indica el comienzo del ciclo, oprima el botón **PUSH-TO-START** (oprima para arrancar).



## Luces indicadoras

### Luz IN USE (en uso):

Permanece encendida mientras se esté usando la lavadora.

### Luz DOOR LOCKED (compuerta cerrada con seguro):

Se enciende después de oprimir el botón de arranque (START) y de cerrar con seguro la compuerta de la lavadora. Permanece encendida hasta que termina el ciclo de lavado.

### Luz FINAL SPIN AND TUMBLE (agitado y centrifugado final):

Se enciende al comienzo del centrifugado final y permanece encendida hasta que termina el ciclo de lavado.

**IMPORTANTE:** Si la lavadora no funciona correctamente tras la instalación, asegúrese de que la fuente de suministro de energía eléctrica está activa y los grifos de suministro de agua están abiertos. ¿Están debidamente ajustados los controles? Haga que el personal de servicio calificado revise que no haya cables rotos, flojos o conectados incorrectamente valiéndose del esquema de cableado (ubicado dentro del gabinete de control).



## ADVERTENCIA

**Para reducir el peligro de lesiones, no saque los artículos de la lavadora hasta que se apaguen todas las luces y se detengan todas las piezas móviles.**

La lavadora se detiene brevemente (hace una pausa) antes del primer centrifugado y el último centrifugado.



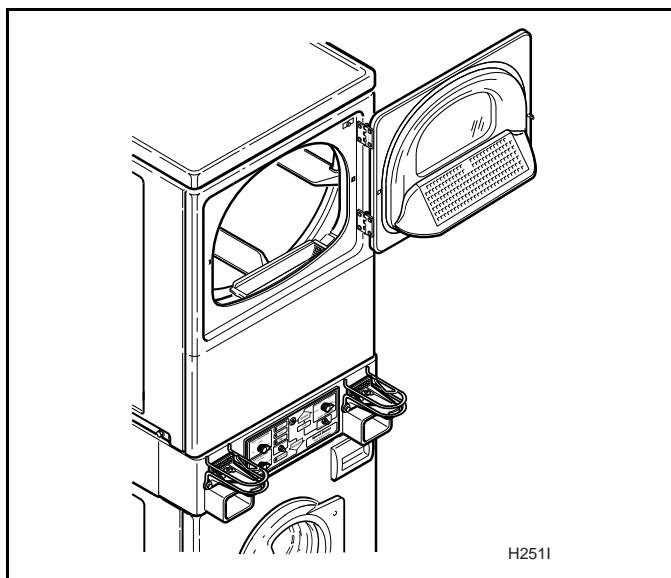
# Instrucciones de operación de secadoras electromecánicas . . .

**IMPORTANTE:** Antes de utilizar la secadora por primera vez, aplique un limpiador para todo uso o una solución de agua y detergente con un paño húmedo, a fin de eliminar el polvo que pueda haber caído en el tambor de la secadora.

## Paso 1:

### Limpie el filtro de pelusas

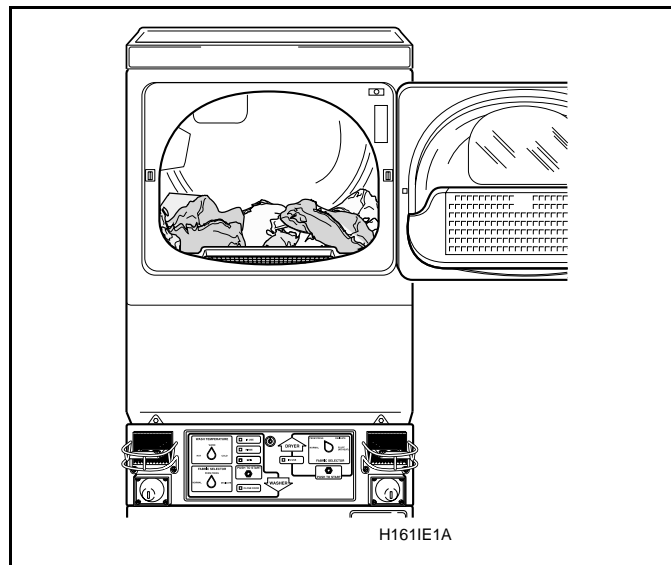
Limpie el filtro de pelusas cada vez que vaya a usar la secadora.



## Paso 2:

### Cargue la secadora

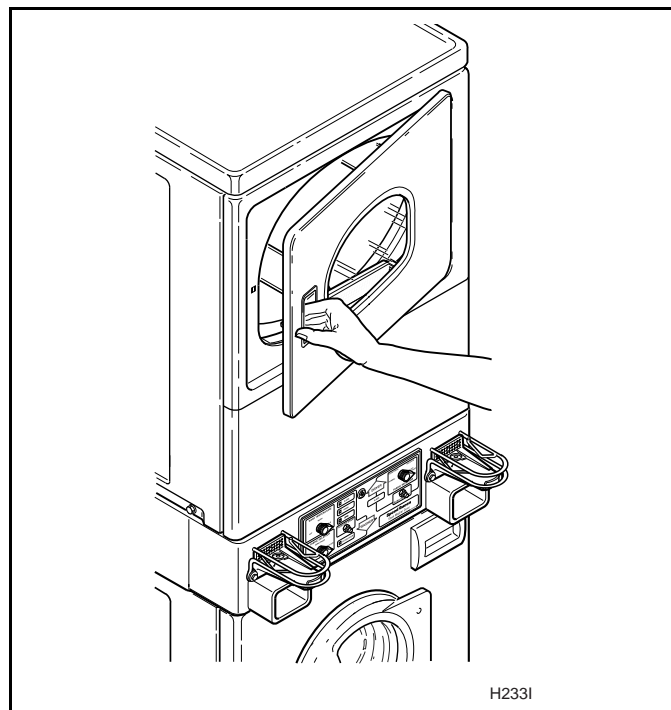
Cargue los artículos a secar de manera que queden holgados en el tambor de la secadora. Agregue suavizador de tela si desea.



## Paso 3:

### Cierre la compuerta de carga

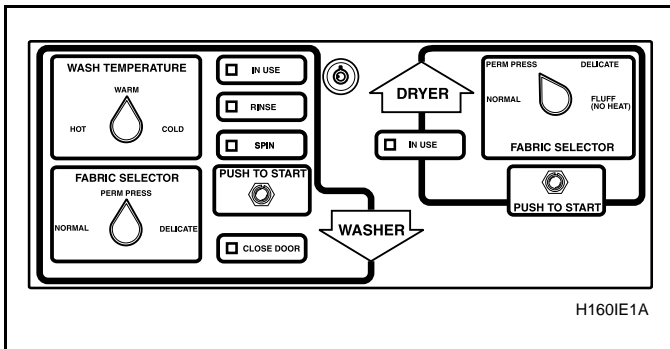
Cierre la compuerta de carga. La secadora no funcionará con la compuerta abierta.



## Paso 4:

### Determine los controles apropiados para la secadora

La dirección de la flecha indica cuáles controles corresponden a la secadora.

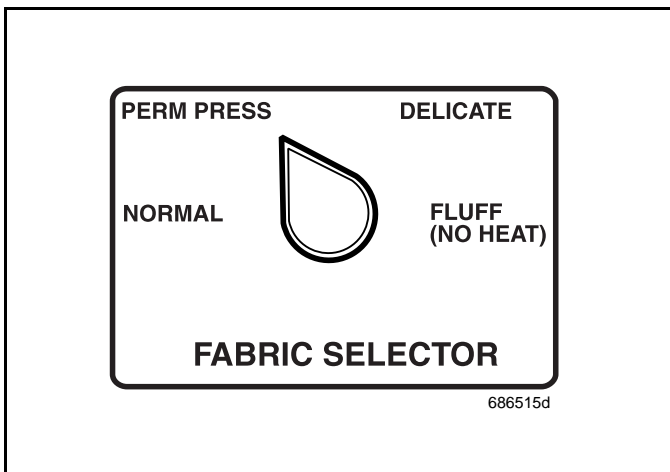


## Paso 5:

### Ajuste el selector de tela

Seleccione **NORMAL** para artículos de algodón, **PERM PRESS** (planchado permanente), **DELICATE** (delicada) para ropa delicada o **FLUFF (NO HEAT)** (mullido sin calor) para aquellos artículos que no requieren calor.

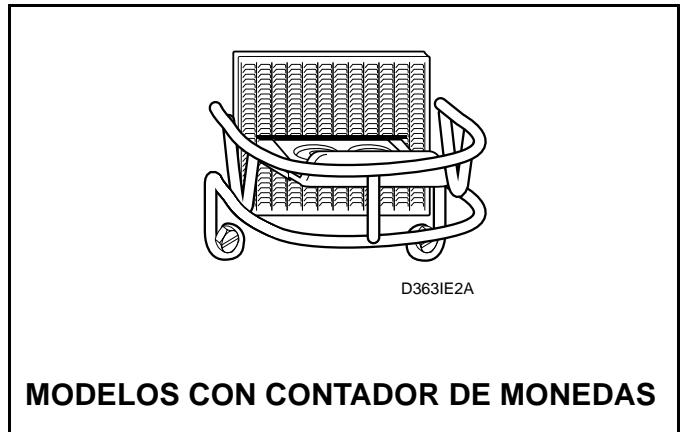
Siga siempre las instrucciones del fabricante que aparecen en la etiqueta de los artículos a secar.



## Paso 6:

### Arranque la secadora

Coloque la(s) moneda(s) en el tragamonedas y empújelo cuidadosamente lo más adentro que pueda. Seguidamente tire del tragamonedas hacia fuera lo más que pueda. Tras encenderse la luz **IN USE** (en uso) que indica el comienzo del ciclo, oprima el botón **PUSH-TO-START** (oprime para arrancar).



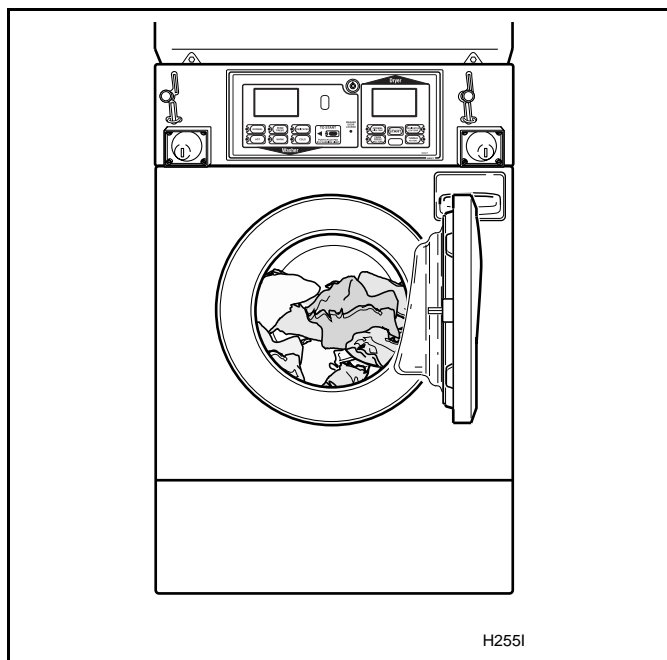
# Instrucciones para la operación de lavadoras con control electrónico . . .

**IMPORTANTE:** Antes del primer lavado, use un limpiador de uso general o una solución de detergente y agua y un paño húmedo para remover el polvo de la tina de la lavadora acumulado durante el transporte.

## Paso 1:

### Cargue la lavadora

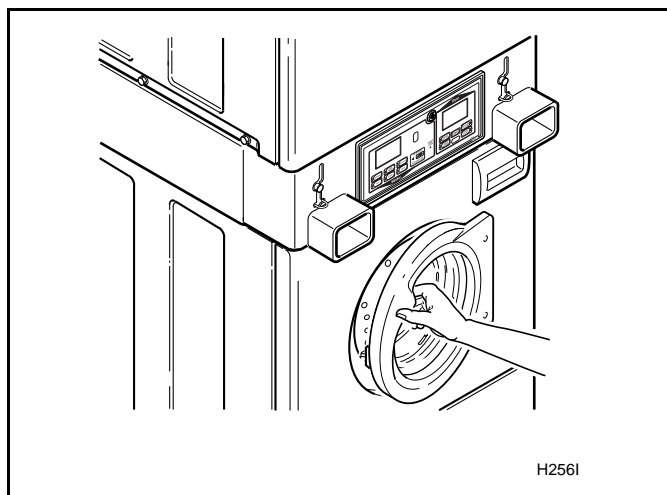
Cargue los artículos a secar de manera que queden holgados en el tambor de la lavadora.



## Paso 2:

### Cierre la compuerta de carga

Cierre bien la compuerta de carga. La lavadora no funcionará con la compuerta de carga abierta.



## Paso 3:

### Agregue los suministros para lavar

Abra la gaveta del surtidor. Mida y agregue detergente de baja espuma (1), blanqueador (2) y suavizador de tela (3) a la gaveta del surtidor (vea la ilustración). Cierre la gaveta del surtidor.

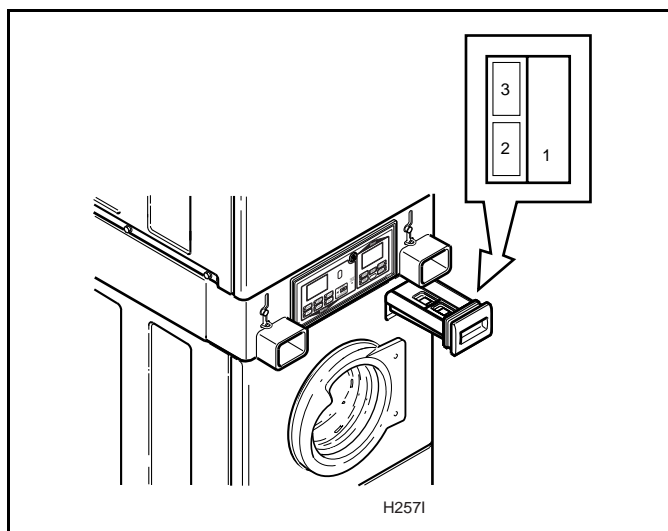
**IMPORTANTE:** Si utiliza detergentes elaborados para lavadoras de carga por la parte superior, emplee la mitad de la cantidad recomendada para evitar que se produzca demasiada espuma.



## PRECAUCIÓN

Para desmontar la gaveta del surtidor se requiere una herramienta especial. Póngase en contacto con el personal de servicio si necesita sacarla.

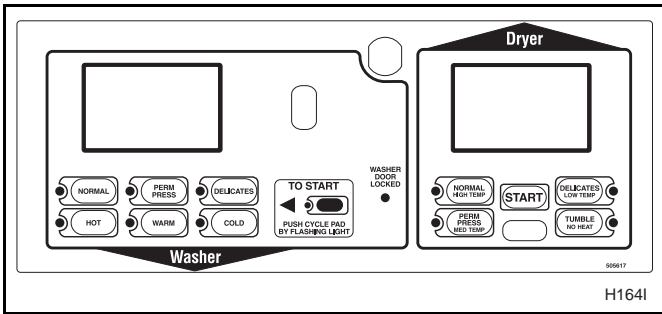
W236S



## Paso 4:

### Determine los controles apropiados para la lavadora

La dirección de la flecha indica cuáles controles corresponden a la lavadora.

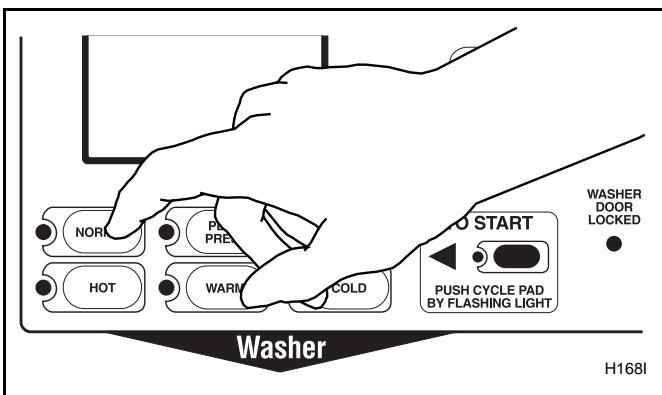


## Paso 5:

### Ajuste el selector de tela

Oprima el botón de membrana para seleccionar los ciclos **NORMAL** (normal), **PERM PRESS** (planchado permanente) o **DELICATE** (ropa delicada). Se encenderá una luz para indicar la selección.

**NOTA:** Pueden hacerse cambios en el selector de tela hasta completarse el primer llenado.

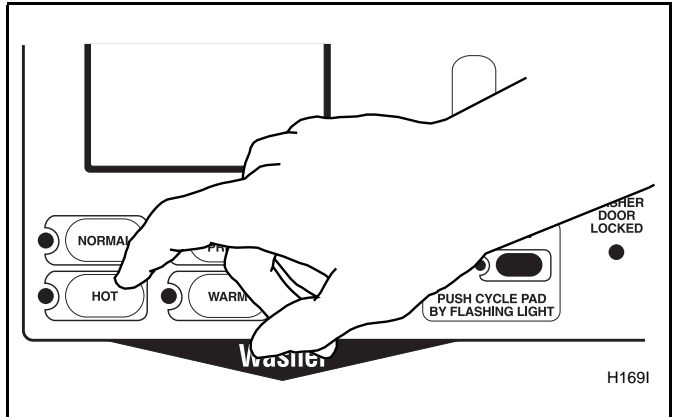


## Paso 6:

### Seleccione la temperatura de lavado

Seleccione **HOT** (caliente), **WARM** (tibia) o **COLD** (fría). La luz indicará la temperatura seleccionada.

**NOTA:** Siempre siga las instrucciones que aparecen en las etiquetas para el cuidado de los artículos a lavar.

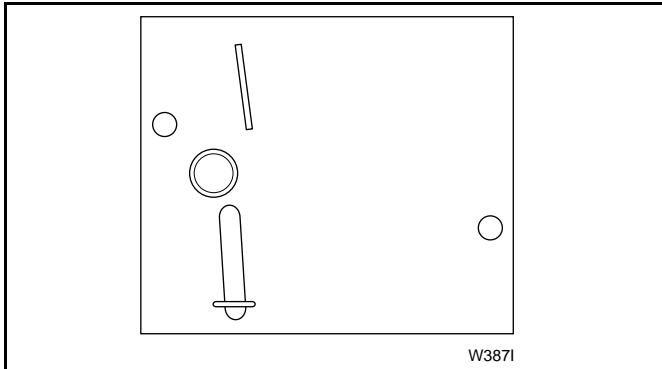


## Paso 7:

### Inserte la(s) moneda(s) o la tarjeta

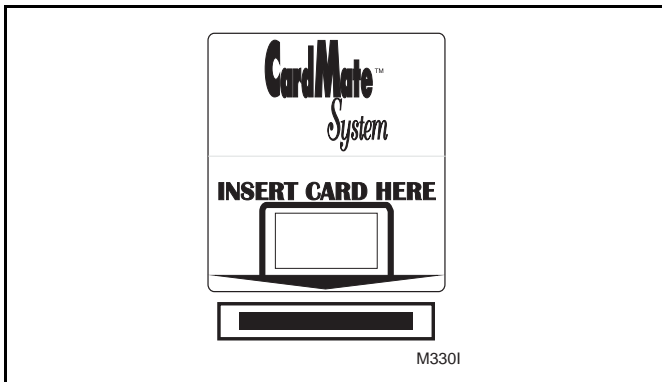
#### Para insertar monedas:

Compruebe el precio que aparece en la pantalla digital.



#### Para insertar la tarjeta:

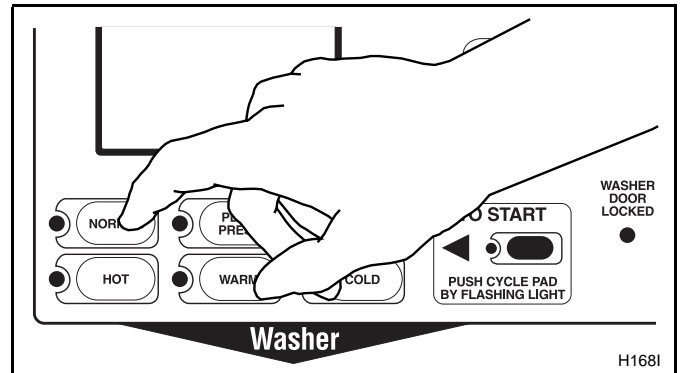
Inserte la tarjeta en la ranura. Siga las instrucciones que aparecen en la pantalla. **NO SAQUE LA TARJETA HASTA QUE APAREZCA EN LA PANTALLA "Remove Card"** (sacar la tarjeta).



## Paso 8:

### Arranque la lavadora

Una vez completado el precio de la transacción, destellará la luz del botón de membrana correspondiente al ciclo seleccionado. Oprima el botón que está destellando para arrancar la lavadora. **LA COMPUERTA DEBERÁ ESTAR CERRADA PARA ARRANCAR LA LAVADORA.**



## Luces indicadoras

### Luz WASH (lavado):

Se enciende al principio de un ciclo de lavado y permanece encendida hasta completarse el ciclo de lavado.

### Luz RINSE (enjuague):

Se enciende al principio de un ciclo de enjuague (RINSE) o enjuague extra (EXTRA RINSE) y permanece encendida hasta completarse el ciclo.

### Luz SOAK (remojo):

Se enciende al principio de un ciclo de pausa de lavado; aparecerá en la pantalla "WASH SOAK" (remojo de lavado).

### Luz SPIN (centrifugado):

Esta luz se enciende en todos los ciclos de centrifugado (SPIN). Durante los ciclos de centrifugado de lavado, aparece en la pantalla "WASH SPIN" (centrifugado de lavado) y durante los ciclos de centrifugado de enjuague (RINSE) o de enjuague extra (EXTRA RINSE) aparece en la pantalla "RINSE SPIN" (centrifugado de enjuague). Al principio del centrifugado final, aparecerá en la pantalla "Spin" (centrifugado).

### Luz PRICE (precio):

Se enciende para indicar que el valor que aparece en la pantalla es el monto que falta para completar el precio de la transacción. Una vez completado, se apaga la palabra "PRICE" (precio).

### Luz TIME REMAINING (tiempo remanente):

Se enciende para indicar que el número de dos dígitos y los dos puntos que aparecen en la pantalla representan el tiempo remanente del ciclo actual. Se enciende al comienzo del ciclo y permanece encendida hasta completarse el ciclo.

### Luz WASHER DOOR LOCKED (compuerta cerrada con seguro):

Se enciende cuando la compuerta está cerrada con seguro. La compuerta no puede abrirse cuando esta luz está encendida.

### Luz INSERT COINS (inserte monedas):

Se enciende para indicar al usuario que debe introducir monedas o la tarjeta para completar el precio de la transacción. Mientras está encendida esta luz, los tres dígitos y el punto decimal muestran el monto que falta para completar el precio de la transacción.

### Luz UNBALANCE (desbalance):

Se enciende y destella al terminar el ciclo, cuando la lavadora no pudo ejecutar el ciclo de centrifugado debido a que la carga estaba desbalanceada.

**IMPORTANTE: Si la lavadora no funciona correctamente tras la instalación, asegúrese de que la fuente de suministro de energía eléctrica está activa y los grifos de suministro de agua están abiertos. ¿Están debidamente ajustados los controles? Haga que el personal de servicio calificado revise que no haya cables rotos, flojos o conectados incorrectamente valiéndose del esquema de cableado (ubicado dentro del gabinete de control).**



## ADVERTENCIA

**Para reducir el peligro de lesiones, no saque los artículos de la lavadora hasta que se apaguen todas las luces y se detengan todas las piezas móviles.**

W092SB

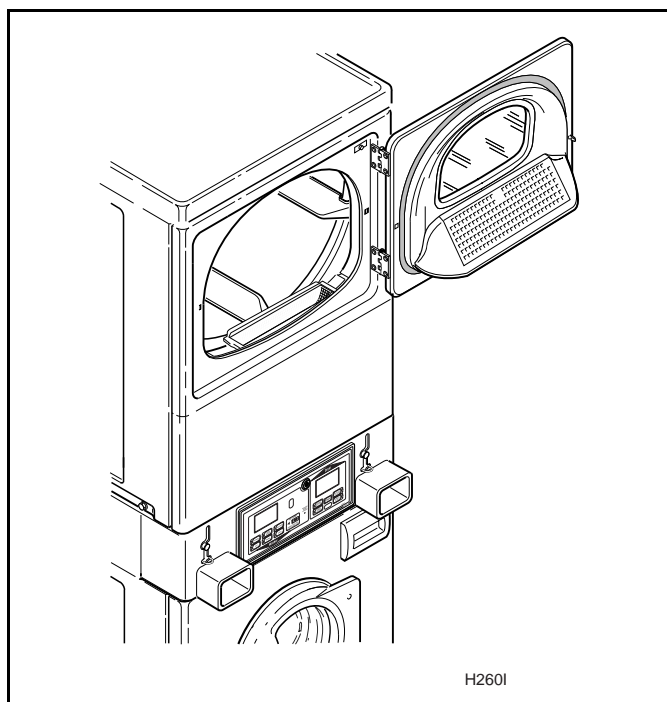
# Instrucciones para la operación de secadoras con control electrónico . . .

**IMPORTANTE:** Antes del primer secado, use un limpiador de uso general o una solución de detergente y agua y un paño húmedo para remover el polvo del tambor de la secadora acumulado durante el transporte.

## Paso 1:

### Limpié el filtro de pelusas

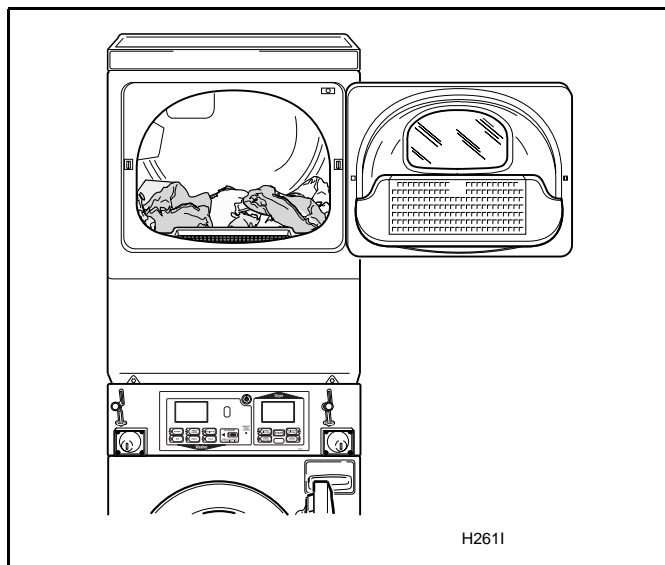
Limpié el filtro de pelusas cada vez que vaya a usar la secadora.



## Paso 2:

### Cargue la secadora

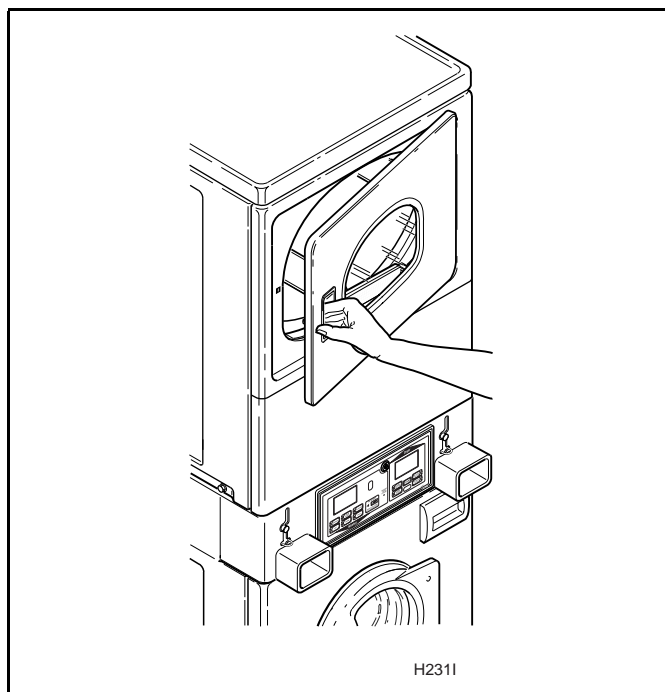
Cargue los artículos a secar de manera que queden holgados en el tambor de la secadora. Agregue una hoja de suavizador de tela si desea.



## Paso 3:

### Cierre la compuerta de carga

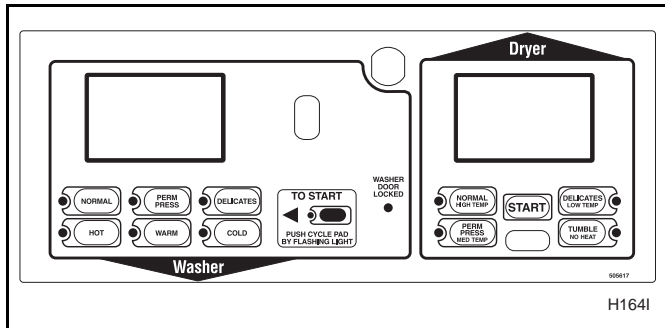
Cierre la compuerta de carga. La secadora no funcionará con la compuerta abierta.



## Paso 4:

### Determine los controles apropiados para la secadora

La dirección de la flecha indica cuáles controles corresponden a la secadora.

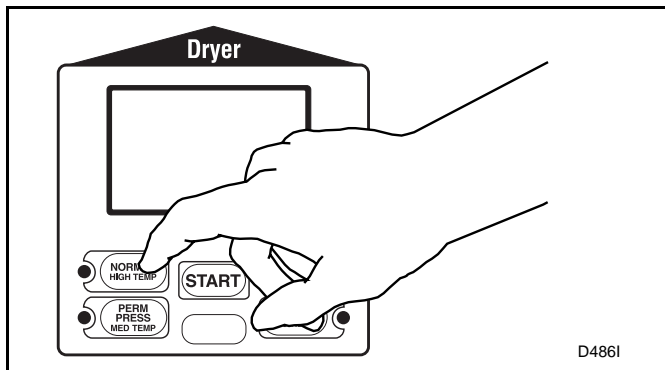


## Paso 5:

### Ajuste el selector de tela

Seleccione **NORMAL** (alta temperatura), **PERM PRESS** (temperatura mediana), **DELICATES** (baja temperatura) o **TUMBLE** (sin calor) pulsando los botones correspondientes. Se encenderá una luz para indicar la selección.

Siga siempre las instrucciones del fabricante que aparecen en la etiqueta de los artículos a secar.

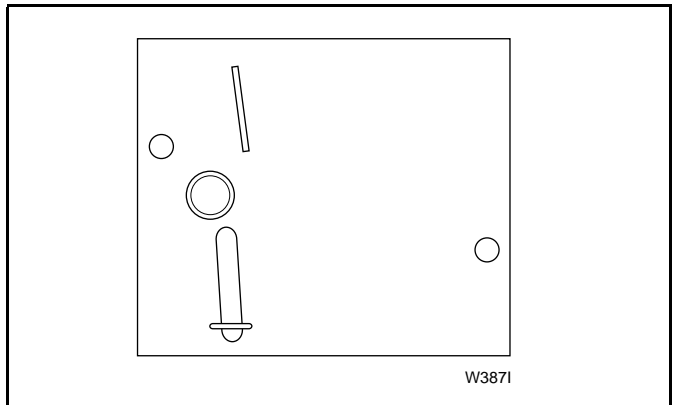


## Paso 6:

### Inserte la(s) moneda(s) o la tarjeta

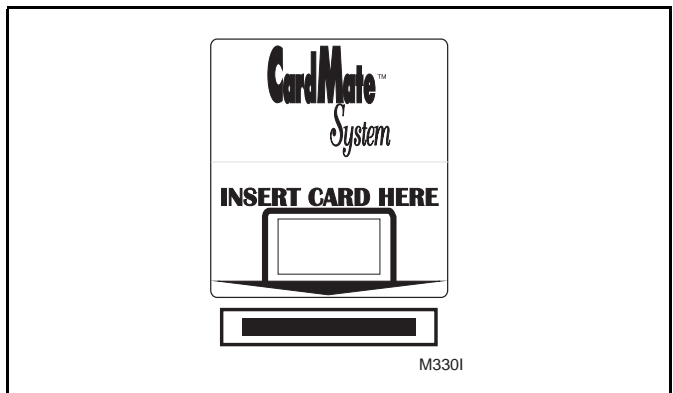
Para insertar monedas:

Coloque la(s) moneda(s) en el tragamonedas y compruebe el precio que aparece en la pantalla digital.



Para insertar la tarjeta:

Inserte la tarjeta en la ranura. Siga las instrucciones que aparecen en la pantalla. **NO SAQUE LA TARJETA HASTA QUE APAREZCA EN LA PANTALLA "Remove Card"** (sacar la tarjeta).



Si está activada la función de tiempo adicional, puede comprarse tiempo de secado adicional al comienzo del ciclo y mientras la secadora está funcionando.

Saque las prendas elaboradas con tejidos de punto cuando todavía estén húmedas, ya que el secado excesivo puede hacer que se encojan. No seque en secadora prendas de tejidos de punto de lana.



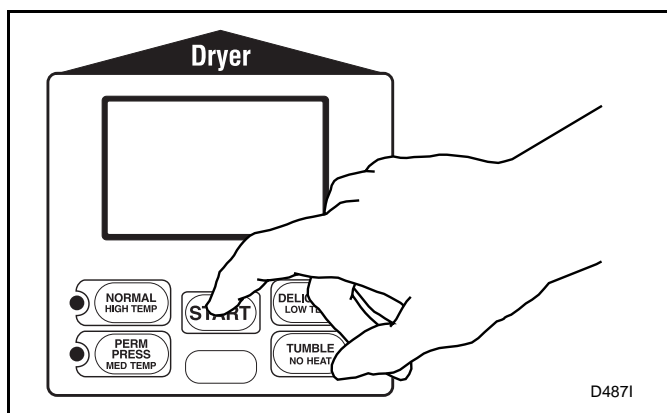
## Paso 7:

### Arranque la secadora

Oprima el botón de arranque (START) para arrancar la secadora.

Para detener la secadora en cualquier momento, abra la compuerta. Para continuar el ciclo, cierre la compuerta y oprima el botón de arranque (START).

El ciclo termina cuando el tiempo remanente llegue a 00 minutos.



## Luces indicadoras

### **Luz INSERT COINS (inserte monedas):**

Se enciende para indicar al usuario que debe introducir monedas o la tarjeta para completar el precio de la transacción correspondiente al ciclo seleccionado. Mientras está encendida esta luz, los tres dígitos y el punto decimal muestran el monto que falta para completar el precio de la transacción.

### **Luz PUSH START (oprime el botón de arranque):**

Se enciende cuando la secadora no está ejecutando un ciclo, el precio de la transacción se ha completado y la compuerta de la secadora está cerrada. Una vez que se oprime el botón START el ciclo se inicia o se continúa. La palabra de estado PUSH START destella a intervalos de un segundo una vez activada.

### **Luz DRYING (secando):**

Se enciende para indicar que actualmente se está ejecutando uno de los ciclos con calor (alta temp, mediana temp, baja temp). La palabra de estado DRYING se apaga al final del ciclo con calor o al comenzar el ciclo de enfriamiento (COOL DOWN).

### **Luz DOOR OPEN (compuerta abierta):**

Se enciende y destella a intervalos de un segundo cuando la compuerta está abierta.

### **Luz COOL DOWN (enfriamiento):**

Se enciende cuando se activa la porción de enfriamiento (COOL DOWN) durante la ejecución de un ciclo con calor. También se enciende cuando se está ejecutando un ciclo sin calor (NO HEAT).

### **Luz PRICE (precio):**

Se enciende para indicar que el valor que aparece en la pantalla es el monto que falta para completar el precio de la transacción. Una vez satisfecho el precio, se apaga la palabra PRICE.

### **Luz TIME REMAINING (tiempo remanente):**

Se enciende para indicar que el número de dos dígitos y los dos puntos que aparecen en la pantalla representa el tiempo remanente (en minutos) del ciclo activo. Los dos puntos destellan a intervalos de un segundo y el tiempo se sigue decrementando durante el ciclo activo.

Si la secadora se detiene antes de terminar el ciclo, es posible que se haya disparado el protector de sobrecarga del motor. Consulte la página 91.

# Instrucciones de mantenimiento para el usuario . . .

## Lubricación

Todas las piezas móviles están selladas con un suministro permanente de lubricante o equipadas con rodamientos que no necesitan aceite. No es necesario aplicarles lubricación adicional.

## Cuidados en climas fríos

Si la lavadora se entrega en un día extremadamente frío (temperatura por debajo del nivel de congelamiento) o se coloca en un área o salón sin calefacción durante los meses fríos, no trate de poner a funcionar la lavadora antes de que se caliente.

## Vacaciones y falta de uso durante un período prolongado

**IMPORTANTE:** Para evitar posibles daños a la propiedad por inundaciones, cierre el grifo de suministro de agua de la lavadora cada vez que vaya a dejar de usarla por un tiempo prolongado.

## Cuidado de la lavadora

Utilice únicamente paños húmedos o con jabón para limpiar el panel de control. Algunos productos de prelavado en aerosol pueden dañar el acabado del panel de control o el interior de la tapa.

Limpie el gabinete de la lavadora según sea necesario. Si se ha derramado detergente, cloro u otros productos para lavar sobre el gabinete, límpielo de inmediato. Algunos productos causan un daño permanente si caen en el gabinete de la lavadora.

No utilice esponjas para restregar ni limpiadores abrasivos.

No recueste objetos rugosos ni punzantes a la lavadora, ya que podrían dañar el acabado de la misma.

La tina y la ventana de la lavadora no requieren un cuidado especial, aunque sí debe enjuagarse o limpiarse después de lavar una carga poco usual. La parte exterior de la ventana puede limpiarse con un limpiador de ventanas de uso doméstico.

## Cuidado de la secadora

Saque las pelusas del filtro después de secar cada carga de ropa. Si es necesario, puede lavar el filtro. Cada cierto tiempo, saque el filtro de pelusas y limpie el área que está debajo del filtro con una aspiradora.

Normalmente, el tambor de la secadora no requiere cuidado alguno.

Lave el gabinete de la secadora según sea necesario. Si se ha derramado detergente, cloro u otro producto de lavado en la secadora, límpielo inmediatamente. Algunos productos causan un daño permanente si se derraman sobre el gabinete.

No apoye objetos punzantes o rugosos contra la secadora ya que podría dañarse el acabado.

Utilice únicamente paños húmedos o enjabonados para limpiar el panel de control. Algunos productos de prelavado en aerosol pueden dañar el acabado del panel de control.

**NOTA:** El diagrama del cableado se encuentra dentro del panel de control.



## PRECAUCIÓN

Coloque etiquetas a todos los conductores antes de desconectarlos cuando esté dando mantenimiento a los controles. Un error en el cableado puede ocasionar un funcionamiento inadecuado y peligroso.

## Sistema de escape

El ducto de escape debe inspeccionarse al año de uso de la secadora y, de ser necesario, hacer que personal de servicio calificado elimine las acumulaciones de pelusas. En lo sucesivo, revise y limpie el ducto de escape cada uno o dos años, según sea necesario.

La tapa para intemperie debe revisarse frecuentemente para asegurarse de que la tapa del mecanismo articulado se mueva sin problemas, no esté hundida y no tenga pegado nada que impida su movimiento.

Mantenga el área donde se encuentra la secadora limpia y sin materiales combustibles, gasolina u otros líquidos o gases inflamables.

No obstruya el flujo de aire de ventilación y de combustión.

**NOTA:** Después del mantenimiento, verifique que la unidad funciona correctamente.

# Consejos para ahorrar electricidad . . .

- Asegúrese de que el filtro de pelusas esté siempre limpio.
- No sobrecargue la secadora.
- No seque excesivamente la ropa.
- Saque la ropa que va planchar cuando todavía esté húmeda.
- Las cargas grandes de telas similares se secan mucho mejor. No obstante, seque la ropa de planchado permanente en cargas más pequeñas para evitar arrugas.
- Utilice el ajuste de temperatura correcto colocando el selector de telas (FABRIC SELECTOR) de acuerdo con el tipo de ropa que está secando.
- Coloque su secadora de manera que el ducto de escape quede lo más corto y recto que sea posible.
- No abra la secadora durante el ciclo de secado.
- Planifique su lavado para días menos húmedos. De esta manera su ropa se secará más rápido.
- Seque varias cargas de ropa una detrás de otra, de manera que el interior de la secadora no tenga que calentarse de nuevo para cada carga.

# Antes de llamar al centro de servicio . . .

Puede ahorrar tiempo y dinero realizando la inspección siguiente:

## • Si la lavadora:

No se llena	No arranca	No funciona durante el ciclo de agitado	No funciona durante el ciclo de centrifugado	No funciona durante el ciclo de desagüe	Posible causa – Siga este procedimiento para solucionar el problema
	•				Asegúrese de que el cable de suministro de energía esté completamente enchufado en el tomacorriente.
•	•	•	•		Cierre bien la compuerta de carga.
•	•	•	•		Revise la caja de fusibles o cortacircuitos de la sala de lavado.
•					Abra los grifos del agua fría y agua caliente.
•					Limpie las rejillas de la válvula de mezcla de agua.
		•	•		¿Están debidamente ajustados los controles?
		•	•		Correa de transmisión rota. Llame al personal de servicio.
			•	•	Colector de partículas extrañas obstruido. Llame al personal de servicio.

## • Si la secadora:

No arranca	No calienta	No seca bien la ropa	Posible causa – Siga este procedimiento para solucionar el problema
•			Inserte la(s) moneda(s).
•			Asegúrese de que el cordón eléctrico esté bien enchufado en el tomacorriente.
•			Cierre la compuerta de carga.
	•		Asegúrese de que los controles están en HEAT (calor).
•	•		Active el acumulador de tiempo. Empuje el tragamonedas completamente hacia dentro.
•			Oprima el botón para arrancar la secadora (PUSH-TO-START).
•	•		¿Se quemaron o aflojaron los fusibles del área de lavado, o hay un cortacircuitos abierto? <b>La secadora NO cuenta internamente con un fusible eléctrico.</b>
•			¿Se disparó el protector de sobrecarga? Espere diez minutos e intente de nuevo.
	•		Sólo para las secadoras a gas - Verifique si la válvula de gas de la secadora (ubicada detrás del panel delantero inferior) y válvula del tubo de suministro de gas principal están abiertas.
		•	Limpie el filtro de pelusas.
	•	•	Revise el ducto de escape hacia el exterior para ver si está obstruido, torcido o necesita limpieza.
	•	•	Revise el mecanismo articulado de la tapa para intemperie y asegúrese de que la tapa se mueva libremente, no esté hundida ni bloqueada.
		•	¿La carga es muy pequeña? Con cargas pequeñas, la ropa podría no girar bien o no secarse de manera uniforme.



# Información para una referencia a la mano . . .

Alliance Laundry Systems LLC  
Shepard Street  
P.O. Box 990  
Ripon, WI 54971-0990

Fecha de la compra: \_\_\_\_\_

N° de modelo: \_\_\_\_\_ N° de serie: \_\_\_\_\_

Nombre del vendedor: \_\_\_\_\_

Dirección del vendedor: \_\_\_\_\_

Teléfono del vendedor: \_\_\_\_\_

Agente de servicio: \_\_\_\_\_

Dirección del agente de servicio: \_\_\_\_\_

Teléfono del agente de servicio: \_\_\_\_\_

**NOTA: Anote la información anterior y guarde su recibo de compra. Los números de serie y de modelo aparecen en la placa de identificación del equipo.**







# Installer Check . . .

## Lista de comprobación del instalador . . .

### Fast Track for Installing the Stacked Washer and Dryer

Guía rápida para instalar la lavadora y secadora de montaje vertical

(Refer to the manual for more detailed information)

(consulte el manual para una información más detallada)

**1**

- Position Unit Near Area of Installation.
- Coloque la unidad cerca del área de instalación.



CHECK / REALIZADO

H2621

**6**

- Connect Dryer Exhaust System.
- Conecte el sistema de escape de la secadora.



CHECK / REALIZADO

**2**

- Connect Water Inlet Hoses.
- Conecte las mangueras de suministro de agua.



CHECK / REALIZADO

H0911E0A

**7**

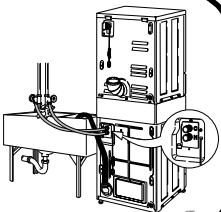
- Remove the Shock Sleeves and Shipping Brace.
- Quite los manguitos de amortiguador y el tirante de sujeción.



CHECK / REALIZADO

**3**

- Connect Drain Hose to Drain Receptacle.
- Conecte la manguera de desagüe en el receptáculo de desagüe.



CHECK / REALIZADO

**8**

- Position and Level the Unit.
- Coloque la unidad en su posición y nivélela.



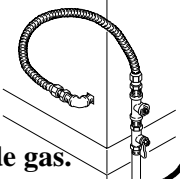
CHECK / REALIZADO

H2651

**4** - Gas Only

Para secadoras a gas solamente

- Connect Gas Supply Pipe.
- Check for Gas Leaks.
- Conecte el tubo de suministro de gas.
- Verifique que no haya fuga de gas.



CHECK / REALIZADO

**9**

- Wipe Out Inside of Washer and Dryer.
- Limpie el interior de la lavadora y la secadora.



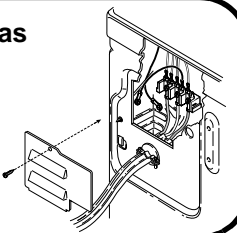
CHECK / REALIZADO

H2631

**5** - Electric Only

Para secadoras eléctricas solamente

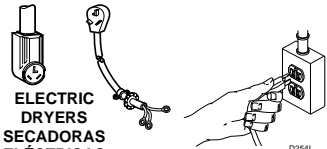
- Connect Electrical Cords.
- Conecte los cordones eléctricos.



CHECK / REALIZADO

**10**

- Plug In the Washer and Dryer.
- Enchufe la lavadora y la secadora.



CHECK / REALIZADO

ELECTRIC DRYERS  
SECADORAS ELÉCTRICAS

D2541

GAS DRYERS AND WASHERS  
SECADORAS A GAS Y LAVADORAS

## Free Manuals Download Website

<http://myh66.com>

<http://usermanuals.us>

<http://www.somanuals.com>

<http://www.4manuals.cc>

<http://www.manual-lib.com>

<http://www.404manual.com>

<http://www.luxmanual.com>

<http://aubethermostatmanual.com>

Golf course search by state

<http://golfingnear.com>

Email search by domain

<http://emailbydomain.com>

Auto manuals search

<http://auto.somanuals.com>

TV manuals search

<http://tv.somanuals.com>