

# Water Saving System

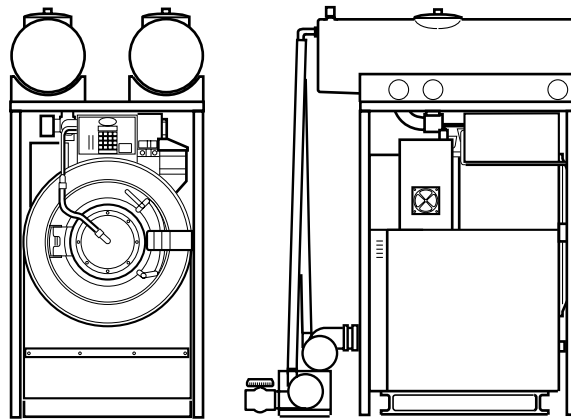
Installation, Maintenance,  
Operation and Programming  
Instructions Supplement

Refer to Page 3 for Model Identification

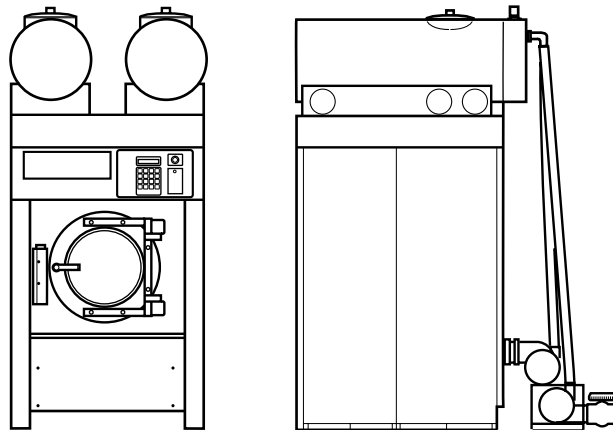
— Supplement —

**NOTA:** El manual en español aparece después del manual en inglés.

**UW**



**UF**



Q0271

**Keep These Instructions for Future Reference.**

(If this machine changes ownership, this manual must accompany machine.)

  
**Alliance**  
Laundry Systems

Part No. F232122R3  
October 2000



# Table of Contents

<b>Introduction</b> .....	3
Model Identification .....	3
<b>Installation</b> .....	5
Dimensional Clearance.....	6
Machine Foundation .....	8
Water Saving Tank Frame Foundation for Pocket Hardmount Models (UWPV) .....	8
Mechanical Installation.....	9
Mounting Bolt Installation for Cabinet Freestanding Models (UFPV) with Water Saving System .....	9
Mounting Bolt Installation for Pocket Hardmount Models (UWPV) with Water Saving System.....	9
Removing Top Section .....	11
Instructions for Installation of Pocket Hardmount Models (UWPV) with Water Saving System.....	13
Tank Overflows .....	18
Steam Heat Option .....	18
Instructions for Installation of Cabinet Freestanding Models (UFPV) with Water Saving System .....	19
Tank Overflows .....	21
<b>Maintenance</b> .....	23
Daily .....	23
Beginning of Day .....	23
End of Day .....	23
Weekly .....	23
Monthly.....	23
<b>Removal from Service</b> .....	25
Decommissioning .....	25
<b>Operation</b> .....	27
LED Display .....	27
Manual Mode Control Feature.....	27
<b>Programming</b> .....	29
Programming a Recovery Fill from Water Saving Tank(s).....	29
Programming a Water Saving Drain Step .....	29
Programming Cycles .....	29

© Copyright 2000, Alliance Laundry Systems LLC

All rights reserved. No part of the contents of this book may be reproduced or transmitted in any form or by any means without the expressed written consent of the publisher.



# Introduction

## Model Identification

Information in this manual is applicable to these models:

UW 60 PV  
UW 100 PV  
UF 35 PV  
UF 50 PV  
UF 85 PV



# Installation

This manual is designed as a supplement to the installation, maintenance, operation and programming of PV model Pocket Hardmount and Cabinet Freestanding washer-extractors equipped with the

**Water Saving System (WSS).** This manual should be used in addition to the information found in manuals with part numbers F232084, F232089, F232058 and F232059 (supplied with the washer-extractor).

General Specifications for Models with Water Saving System					
Models	Pocket Hardmount		Cabinet Freestanding		
	UW60PV	UW100PV	UF35PV	UF50PV	UF85PV
<b>Overall Dimensions</b>					
Overall width, in (mm)	41-7/16 (1053)	47-1/16 (1195)	35 (889)	39 (990.6)	46-1/2 (1181.1)
Overall height, in (mm)	91 (2311)	95-5/8 (2429)	81-1/2 (2070)	85 (2159)	95-1/2 (2426)
Overall depth, in (mm)	61-3/4 (1568)	73-1/4 (1861)	54 (1392)	56.85 (1449)	65-3/4 (1670)
<b>Weight and Shipping Information</b>					
Net weight, lb (kg)	1450 (657.7)	1810 (821)	1312 (595.1)	1700 (771.1)	3100 (1406.1)
Domestic shipping weight, lb (kg)	1560 (707.6)	1935 (877.7)	1410 (639.6)	1800 (816.5)	3250 (1474.2)
Domestic shipping volume, ft <sup>3</sup> (m <sup>3</sup> )	207 (5.8)	212 (6.0)	137 (3.88)	143 (4.05)	201 (4.04)
Export shipping weight, lb (kg)	1600 (726)	2130 (967)	1500 (681)	1900 (863)	3350 (1521)
Export shipping volume, ft <sup>3</sup> (m <sup>3</sup> )	229 (6.5)	235 (6.7)	137 (3.88)	143 (4.05)	201 (5.69)

Electrical Specifications for Models with Water Saving System*													
Voltage Designation						Standard				Electric Heat			
Model	Code	Voltage	Cycle	Phase	Wire	Full Load Amps	Breaker	AWG	mm <sup>2</sup>	Full Load Amps	Breaker	AWG	mm <sup>2</sup>
60 WSS	N	440-480	50-60	3	3	6	15	14	3x2.5	33	40	8	3x10
	P	380-415	50-60	3	3	6	15	14	3x2.5	29	40	8	3x10
	Q	200-240	50-60	3	3	12	15	14	3x2.5	66	80	3	3x25
35 WSS	N	440-480	50-60	3	3	6	15	14	3x2.5	32	35	8	3x10
	P	380-415	50-60	3	3	6	15	14	3x2.5	32	35	8	3x10
	Q	200-240	50-60	3	3	12	15	14	3x2.5	50	50	8	3x10
50 WSS	N	440-480	50-60	3	3	6	15	14	3x2.5	43	50	8	3x10
	P	380-415	50-60	3	3	6	15	14	3x2.5	43	50	8	3x10
	Q	200-240	50-60	3	3	12	15	14	3x2.5	76	80	4	3x25

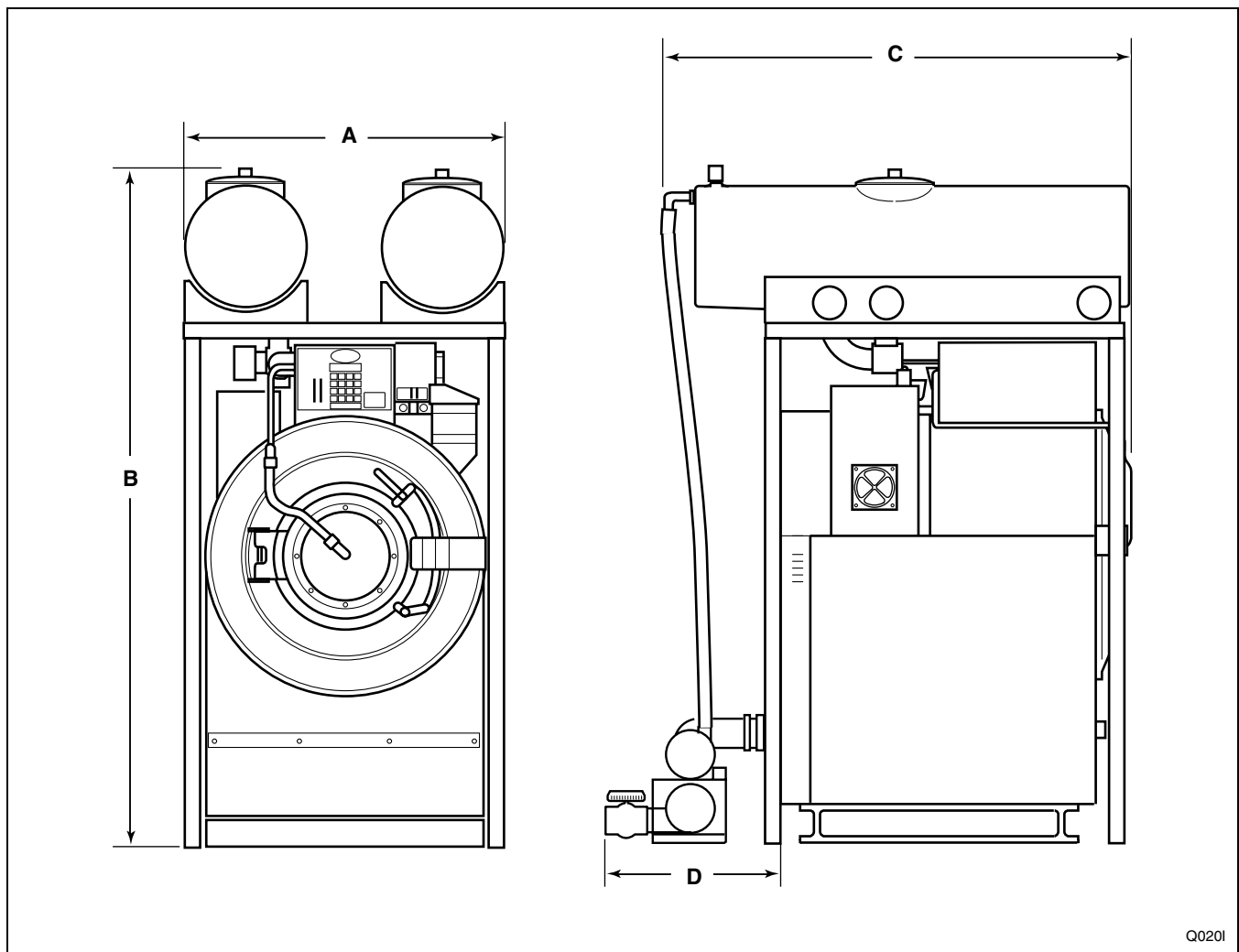
**NOTE:** Wire sizes shown are for copper, THHN, 90° conductor per NEC article 310.

\*Voltage information for \*UW80PVWSS models is the same as that of standard UW80PV models.

## Dimensional Clearance

UWPV Pocket Hardmount with Water Saving System Machine Dimensions*				
Dimensions	60		100	
	in.	mm	in.	mm
<b>A</b>	4-7/16	1052.5	47-1/16	1195.4
<b>B</b>	91	2311	95-5/8	2428.9
<b>C</b>	61-3/4	1568	73-1/4	1861
<b>D</b>	15-3/4	400	15-3/4	400

\* Allow a minimum of 24 inches (610 mm) at the rear and 18 inches (460 mm) at the sides for maintenance, inspection and adjustment. Allow at least 18 inches (460 mm) between machines in multiple installations.



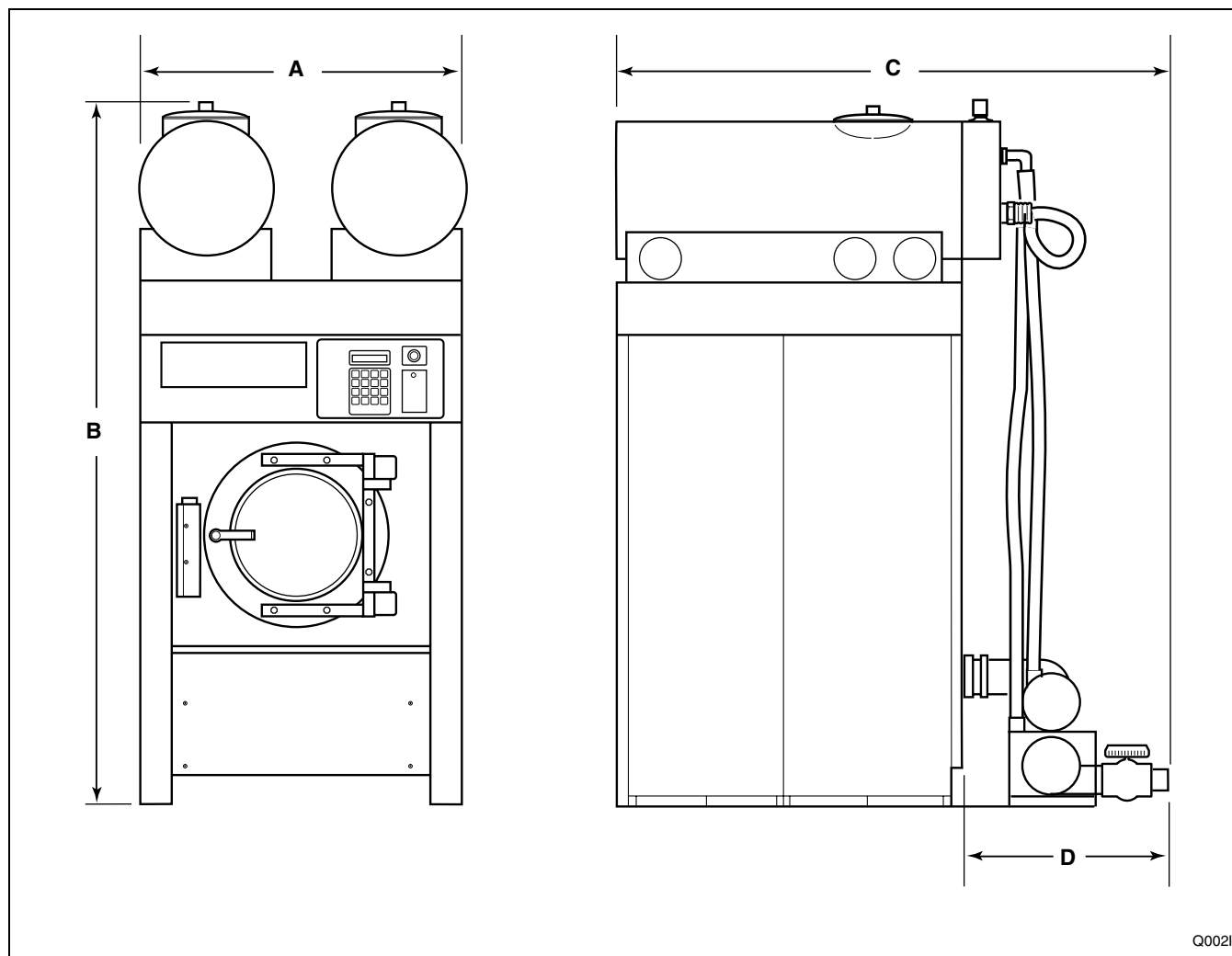
Q0201



**UFPV Cabinet Freestanding with Water Saving System  
Machine Dimensions\***

Dimensions	35		50		85	
	in.	mm	in.	mm	in.	mm
<b>A</b>	35	889	39	990.6	46-1/2	1181.1
<b>B</b>	81-1/2	2070	85	2159	95-1/2	2426
<b>C</b>	57	1448	60-1/2	1537	68	1727
<b>D</b>	15-3/4	400	15-3/4	400	15-3/4	400

\* Allow a minimum of 24 inches (610 mm) at the rear and 18 inches (460 mm) at the sides for maintenance, inspection and adjustment. Allow at least 18 inches (460 mm) between machines in multiple installations.



Q002I

## Installation

### Machine Foundation

For machine foundation information for both UWPV and UFPV models, refer to section in respective installation/maintenance manuals.

For UFPV models with the Water Saving System, refer to *Table 1* for total floor load data.

UFPV Cabinet Freestanding Floor Load Data			
	35	50	85
Static floor load, lbs (kN)	2193 (9.755)	2675 (11.899)	5052 (22.472)
Static Pressure, lbs/ft <sup>2</sup> (kN/m <sup>2</sup> )	231 (11.07)	239 (11.45)	313 (15.00)

Table 1

### Water Saving Tank Frame Foundation for Pocket Hardmount Models (UWPV)

A proper frame foundation is absolutely necessary for all UWPV washer-extractors with WSS because of the water weight at elevated heights.

**NOTE: Do not mount on wooden floors, above ground level, or over basements. Installation must be “slab on grade” or equal.**

**IMPORTANT: Ensure that the tank frame is installed on a level floor of sufficient strength and that the recommended clearances for inspection and maintenance are provided. Never allow the inspection and maintenance space to be blocked.**

The tank frame must be anchored to a smooth level surface so that all four legs are supported and rest on the mounting surface.

If the washer-extractor installation will include the WSS, the elevated base must be designed to accommodate the additional width of 4 inches on each side of the washer-extractor and correct alignment.

Static washer-extractor, tank and frame load on the floor or foundation is shown in *Table 2*.

UWPV Pocket Hardmount Floor Load Data		
	60	100
Static floor load, lbs (kN)	2617 (11.7)	4341 (19.3)
Static pressure per leg, lbs/ft <sup>2</sup> (kN/m <sup>2</sup> )	227 (10.9)	271 (13.0)

Table 2

## Mechanical Installation

### Mounting Bolt Installation for Cabinet Freestanding Models (UFPV) with Water Saving System

Refer to the Installation/Maintenance manual (P/N F232059) for mounting bolt installation information for UFPV models.

### Mounting Bolt Installation for Pocket Hardmount Models (UWPV) with Water Saving System

**NOTE: The WSS frame must be permanently attached to the floor.**

All UWPV machines use 5/16-18 x 6" bolts for mounting the tank frame. Use the mounting bolt layouts in *Figure 2*.

The threaded end of the bolts should extend 2 inches above the surface of the floor.

Refer to *Figure 1* for a typical installation of individual mounting bolts for the water saving frame.

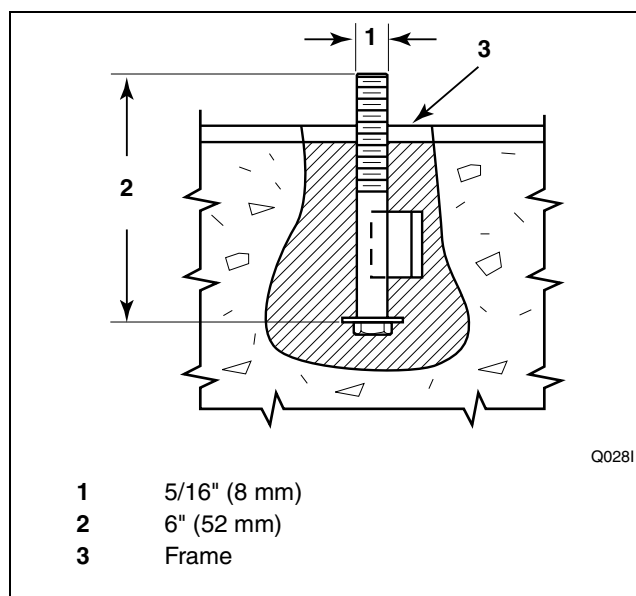


Figure 1

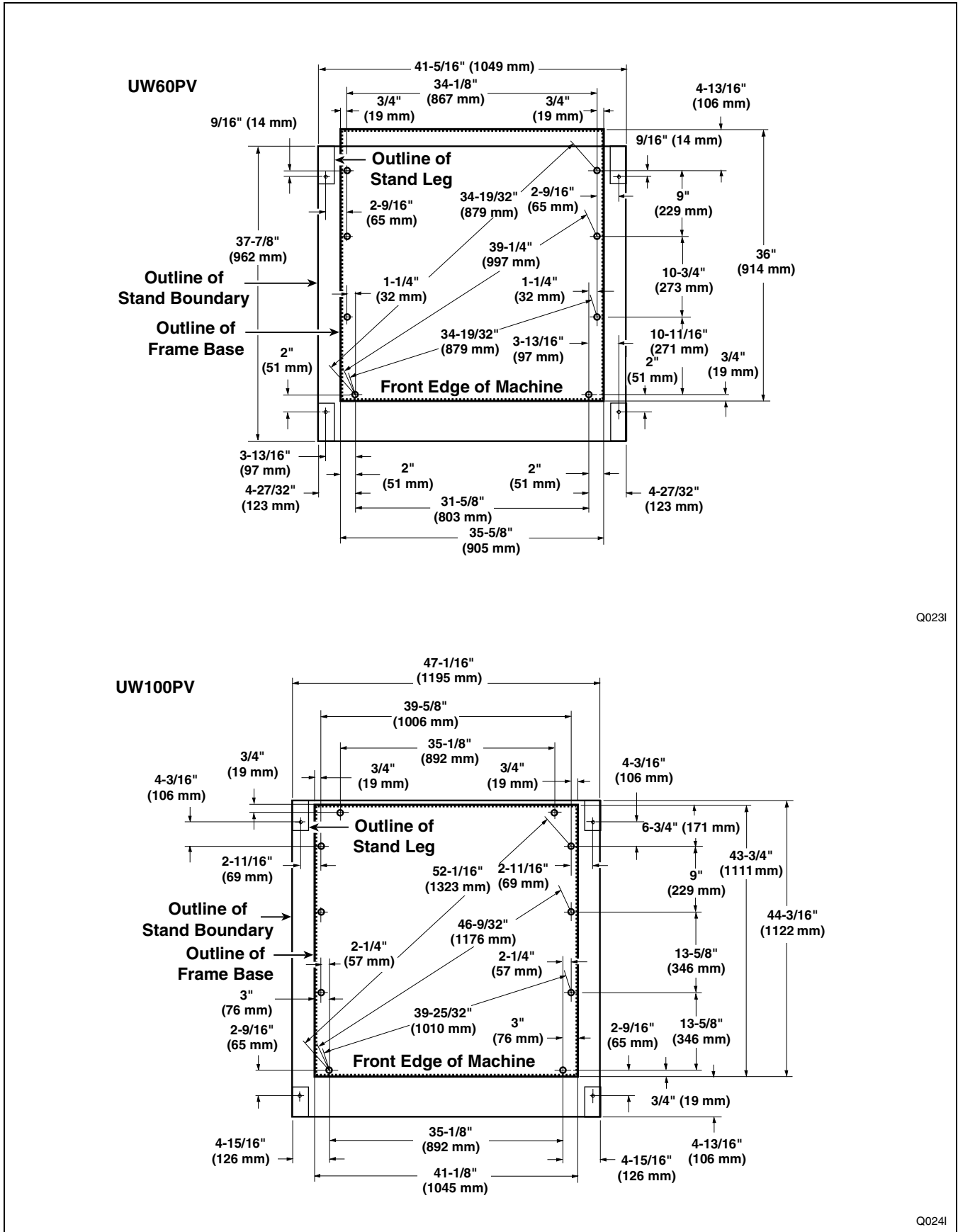


Figure 2

Refer to the Water Saving System (WSS) General Specifications in this section to determine if there is adequate clearance through the door for the machine. If there is not and the WSS needs to be removed, refer to the section “Removing the Top Section”. If clearance is sufficient, proceed as follows:

**NOTE: Allow concrete to cure before beginning installation.**

1. Place the WSS next to the concrete foundation.

**IMPORTANT: Move the WSS by lifting from the frame only. Never move by lifting, pulling or pushing the tanks.**

2. Remove the carriage bolts holding the wooden skid to the WSS frame side legs.
3. Place the WSS over the mounting bolts.
4. Level the frame top section and sides. Align with the washer-extractor.

**NOTE: No part of the washer-extractor and the WSS should be touching. If the machine requires elevating during bolt down then the WSS will require the same amount.**

5. Tighten mounting nuts and washers to secure frame to floor.

## Removing Top Section

If removing the top section is necessary due to insufficient clearance, refer to *Figure 3* and proceed as follows:

1. Place the WSS next to the concrete foundation.

**IMPORTANT: Move WSS by lifting from the frame only. Never move by lifting, pulling or pushing the tanks.**

2. Secure top section with lifting equipment.
3. Remove the eight nuts and bolts from the top section that fasten the frame sides to the top section. Refer to *Figure 3*.
4. Secure both frame sides in place and lift top section with lifting equipment.
5. Remove the frame sides from the wooden skid by removing the carriage bolts holding them to the skid. Remove frame support bar. Refer to *Figure 3*.
6. Place both frame sides over the mounting bolts and replace frame support bar. Snugly screw down the mounting nuts. Do not tighten nuts at this time.

## Installation

7. Carefully lower top section over frame sides. Insert the eight top section bolts and four frame support bar bolts. Fully tighten the corresponding nuts with the corresponding bolts.
8. Level the frame top section and sides. Align with the washer-extractor.

**NOTE: No part of the washer-extractor and the WSS should be touching. If the machine requires elevating during bolt down then the WSS will require the same amount.**

9. Tighten mounting nuts and washers to secure frame to floor.

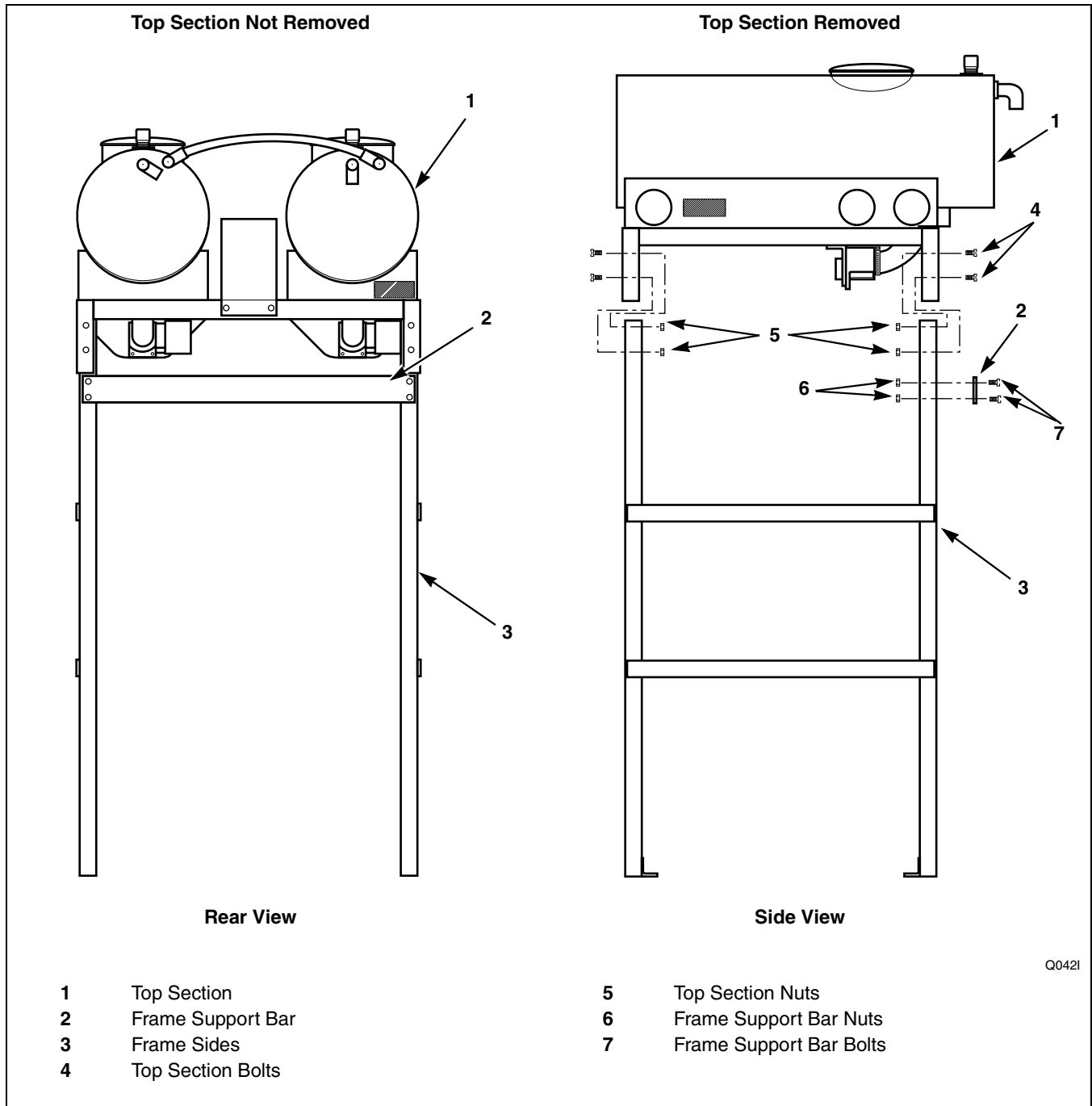



Figure 3

## Instructions for Installation of Pocket Hardmount Models (UWPV) with Water Saving System

Read the following instructions thoroughly before proceeding. The installer must have a comprehensive understanding of the instructions before attempting installation of the WSS. Refer to Water Saving Tank Frame Foundation section for frame bolt-down.

	<b>WARNING</b>
<b>Lock out the main power panel and lock out the power supply to the control box before attempting any service procedures.</b>	
<small>SW007</small>	

**IMPORTANT:** Ensure that the machine is installed on a level floor of sufficient strength and that the recommended clearances for inspection and maintenance are provided. Never allow the inspection and maintenance space to be blocked.

Refer to the WSS Electrical Specifications for voltage information.

Refer to the WSS General Specifications in this section to determine if there is adequate clearance for the machine. If there is not and the WSS needs to be removed, refer to the previous section "Removing Top Section".

1. Connecting the WSS to washer-extractor:

**NOTE:** The tank drain hose assembly is packaged inside washer-extractor basket.

- a. Remove tank drain hose assembly from packaging. Slide drain hose over tank drain valves and washer-extractor shell pipe. Install large hose clamps on drain valves and small hose clamp on shell pipe and tighten. Refer to *Figures 4 and 5*.

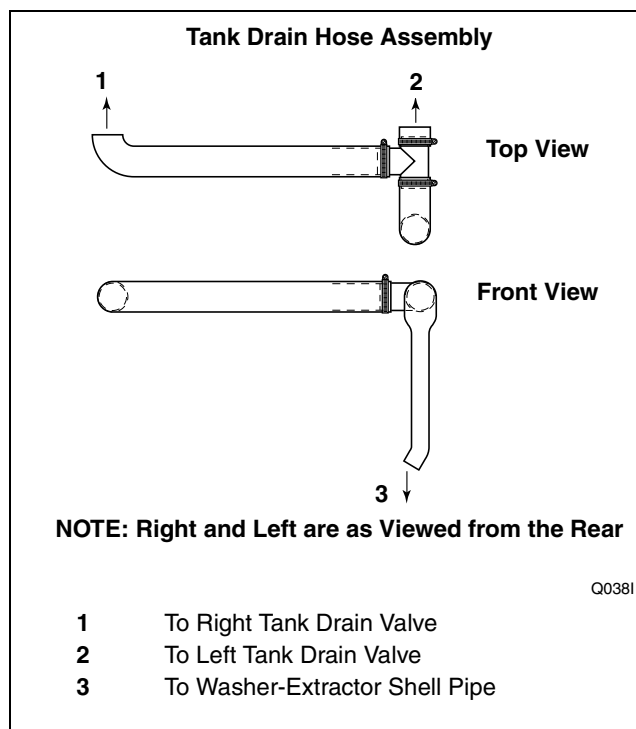


Figure 4

*For 220V Machines:*

- a. For electrical hook-up, connect the control signal cable to the "C1" (signal) quick connect receptacle (top most plug on back of washer-extractor control module). Connect the power cable to the "C2" (power) quick connect receptacle. Refer to *Figure 7*.

**NOTE:** Receptacles and plugs are keyed for proper connection. For example, the control signal cable will only fit in "C1". Do not use excessive force when connecting.

*For 110V Machines:*

- a. Loosen the nut from the back of the PG9 strain relief found on the washer-extractor control module rear. Thread 3-phase power and green ground wires through the strain relief and tighten the nut. Adjust extra wire length through the strain relief, trimming off extra length inside the control module leaving enough to connect to input power terminal block and ground.
- b. Connect the 3-phase power wires to the input power terminal block located inside the washer-extractor control module.

## Installation

### 2. Installing the pump assembly (refer to *Figure 5*):

**NOTE: The pump assembly is packaged inside washer-extractor basket.**

- a. Remove the pump assembly from packaging and place at the rear of the washer-extractor resting flat on floor.
- b. Route the two pump motor cable connections to the WSS control housing (*Figure 8*). Slide cable connectors in and twist to lock. Pump cables and receptacles are marked "PA" and "PB". Refer to *Figure 7*.
- c. Install large manifold hose clamp at the rear of washer-extractor and tighten. Refer to *Figure 5*.
- d. Check ball valve for closed position. Before operating machine, ball valve must be closed.

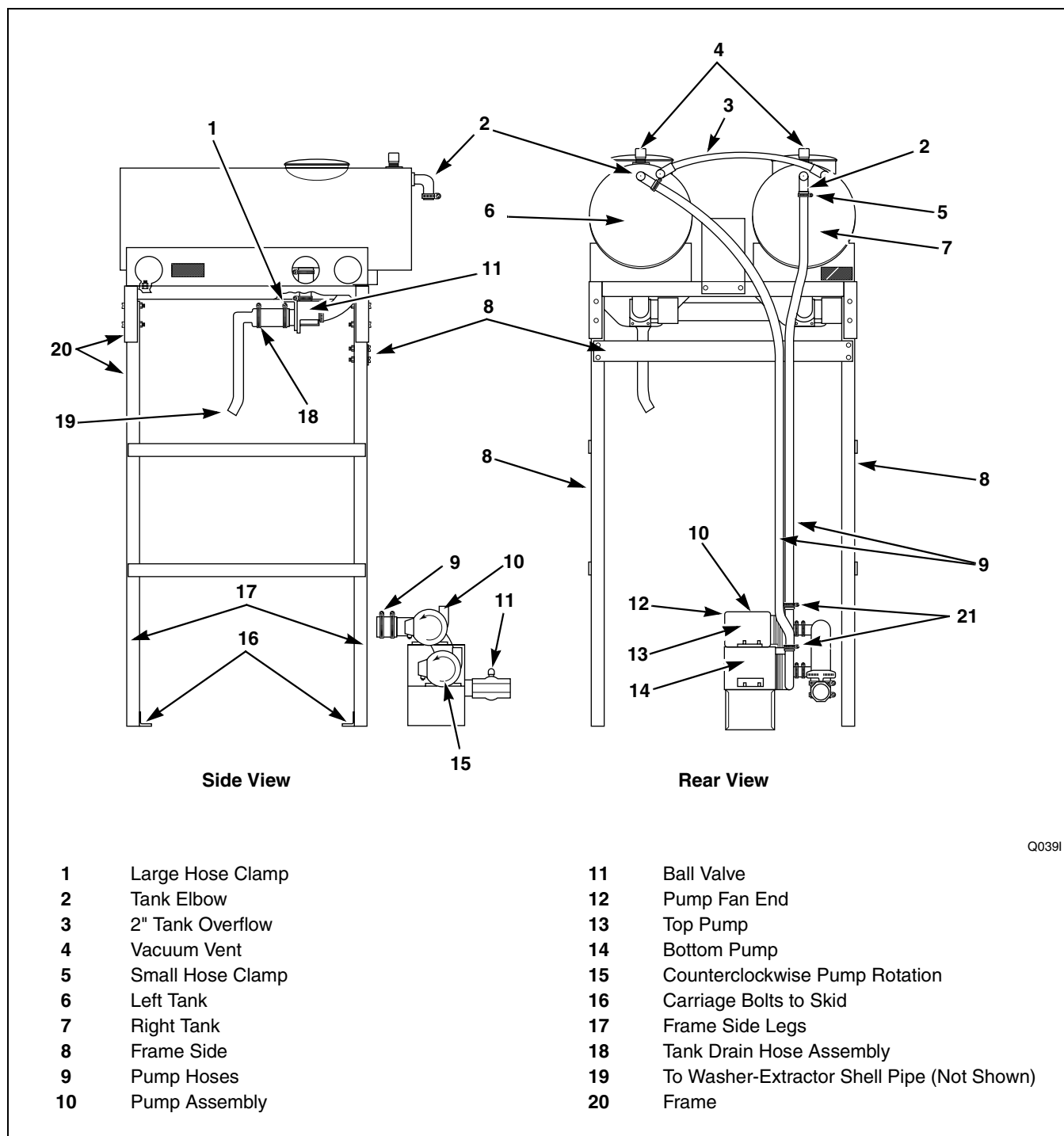
**NOTE: Pump rotation must be counterclockwise when pump is viewed from fan end or clockwise when viewed from plastic pump head end. Improper rotation will cause the pump to fail, resulting in increased cycle time. Refer to rotation arrow decal on pump and *Figure 5*. Rotation may be corrected by exchanging two 3-phase power wires on the load side of the respective contactor, located in the remote-mounted WSS control module.**

### 3. Installing pump hose and vacuum vents:

**NOTE: Pump hoses and vacuum vents are packaged inside washer-extractor basket.**

- a. Remove pump hoses and four small hose clamps from packaging.
- b. Slide on the pump hose to the appropriate pump (top pump to right tank, bottom pump to left tank as viewed from rear) and tank elbow at the rear of each tank. Refer to *Figure 5*. Tighten the small hose clamps.
- c. Apply Teflon tape to vacuum vent threads and screw into top of each tank, tightening by hand only.
- d. Secure the two pump hoses and the two pump motor cables with wire ties to frame side legs.

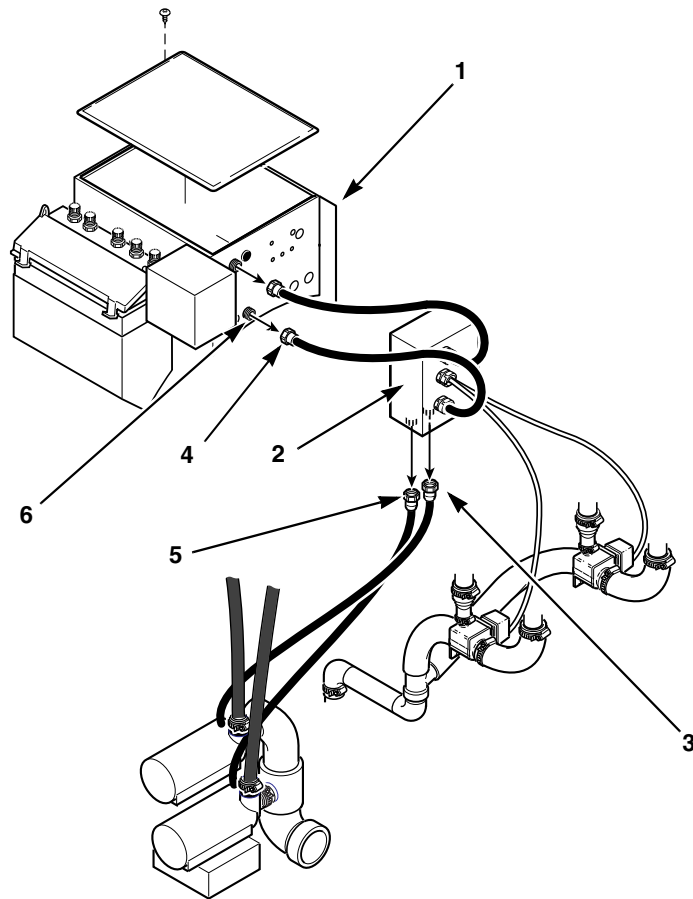




Q039I

Figure 5

UW Integrated Water Saving System Machine Orientation



- 1 Washer-Extractor Control Module
- 2 Water Saving Control Housing
- 3 Quick Connect Receptacle for Tank "A" Pump Motor
- 4 Quick Connect Receptacle and Plug, C2 (Power)
- 5 Quick Connect Receptacle for Tank "B" Pump Motor
- 6 Quick Connect Receptacle and Plug, C1 (Signal)

Q043I

Figure 6

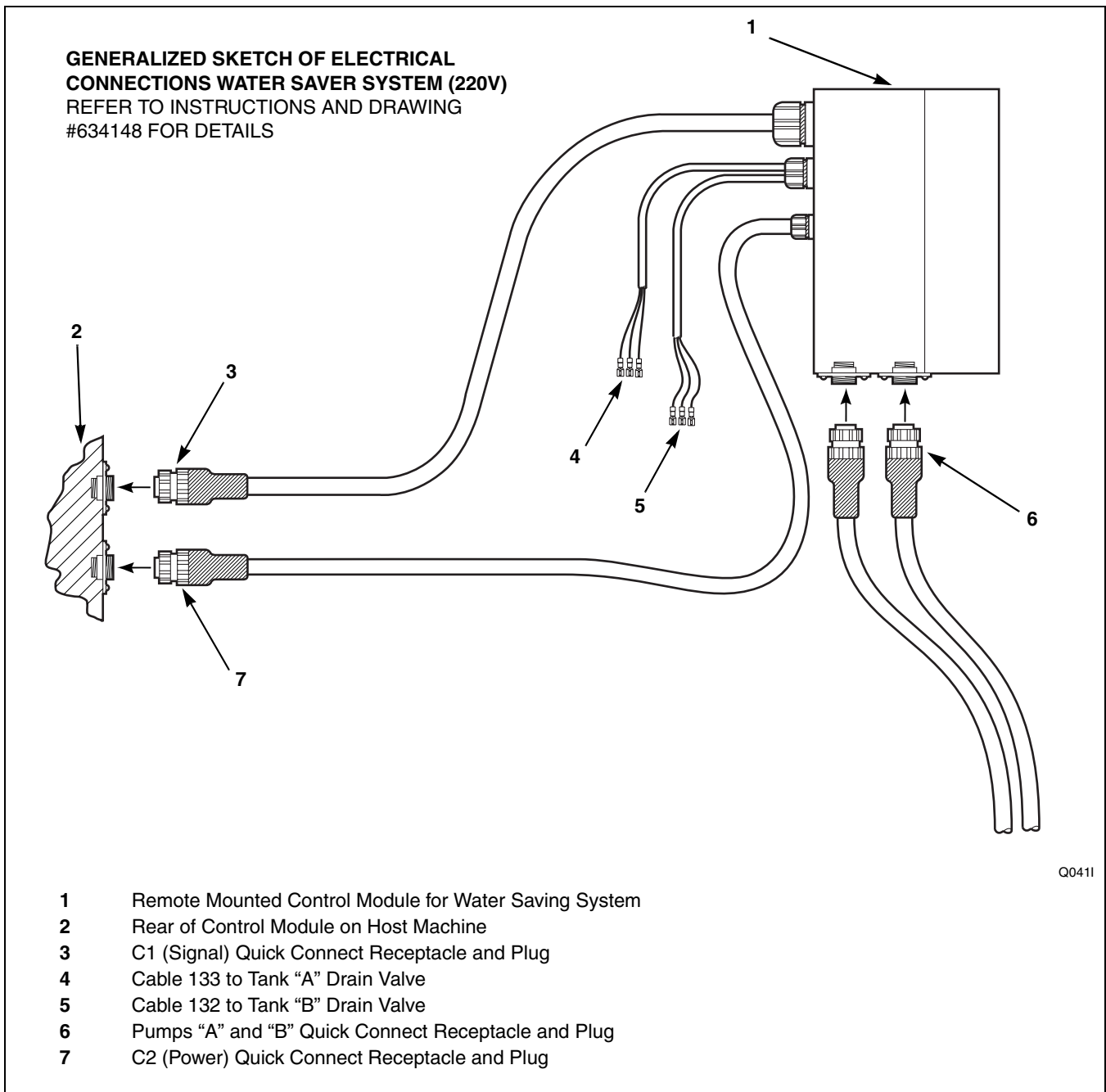



Figure 7

## Installation


### Tank Overflows

Some tank overflows have external 2" PVC connections. These connections may be plumbed to an open trough or floor drain.

	<b>CAUTION</b>
<b>Tank damage. Connections made to the overflow must point downward from the tank. Routing plumbing upward will damage tanks.</b>	

**IMPORTANT:** Connections made to the overflow must provide adequate support for weight of pipe and fittings.

### Steam Heat Option

	<b>WARNING</b>
<b>Hot Surfaces. Will cause severe burns. Turn steam off and allow steam pipes, connections and components to cool before touching.</b>	

If the washer-extractor is equipped with the steam heat option, additional pipe fittings are not required.

**IMPORTANT:** Do not route any steam fittings or pipes near WSS tanks. Wrap fittings and pipe with steam plumbing insulation.

## Instructions for Installation of Cabinet Freestanding Models (UFPV) with Water Saving System

Read the following instructions thoroughly before proceeding. The installer must have a comprehensive understanding of the instructions before attempting installation of the WSS.

Refer to the WSS Electrical Specifications for voltage information.

Refer to the WSS General Specifications to determine if there is adequate clearance through the door for the machine. If not, removal of the water tanks is necessary.

1. Removing the water tanks (if necessary):
  - a. Remove the three cap plugs located near the rear and one located near the front on each side of the tanks. Refer to *Figure 8*.
  - b. Loosen the two hose clamps attached at the bottom rear of each tank. Refer to *Figure 8*.
  - c. Loosen the hoses clamps attached to the elbow at the rear of each tank and slide off the long black hoses that run from the tanks. Refer to *Figure 9*.
  - d. Loosen the hose clamp to the short black hose between each tank and remove from only one tank.

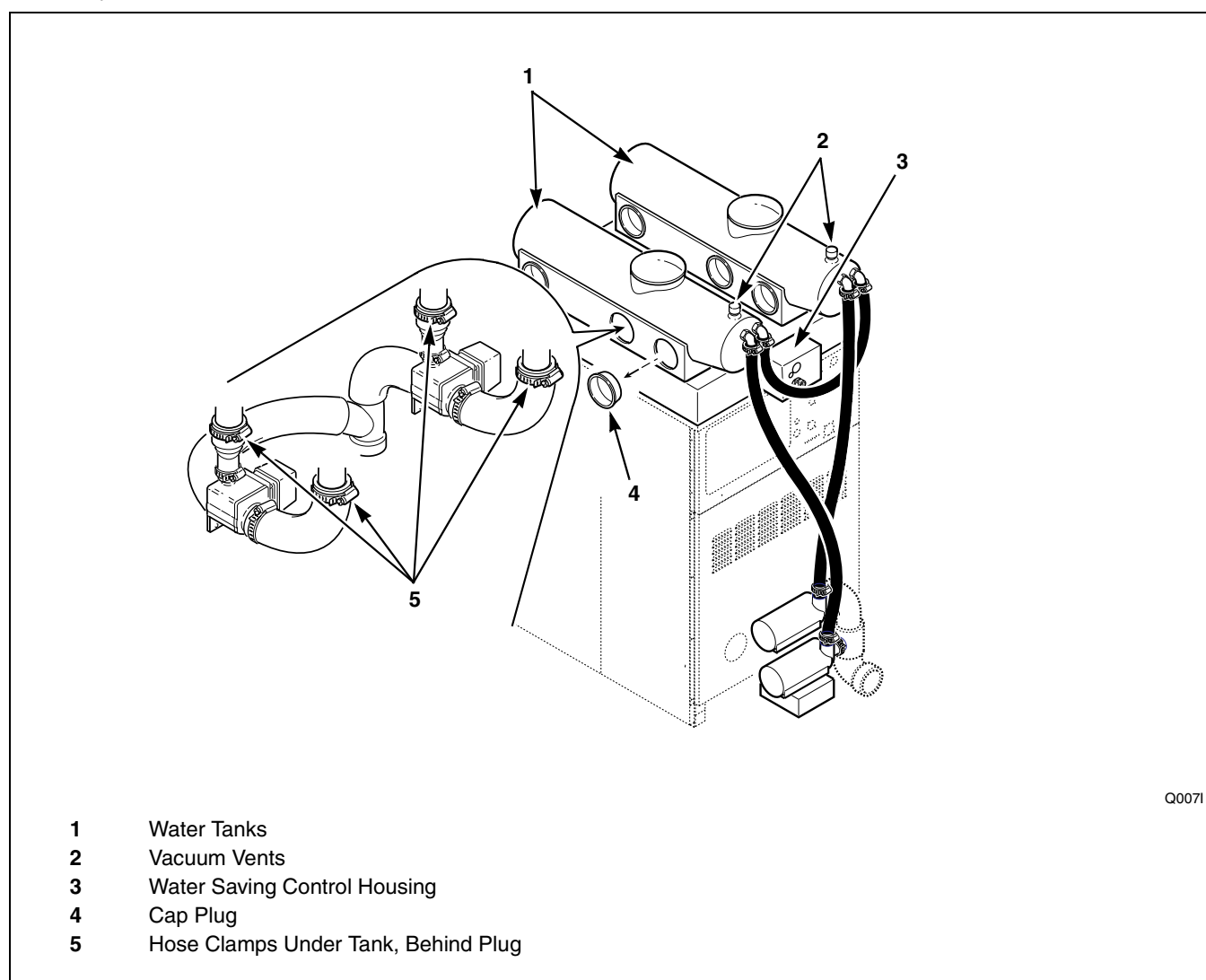



Figure 8

## Installation

- e. Remove the four bolts from each tank located behind cap plug at each corner. Refer to *Figure 9*.
- f. Lift tanks off the washer-extractor.

	<b>CAUTION</b>
<b>Be extremely careful when removing tanks. To prevent damage, always place tanks on a level surface with clean-out access facing up.</b>	

2. Removing the pump assembly:
  - a. Remove manifold hose clamps connecting the pump manifold to the drain valve found at the

rear of the washer-extractor to the right of the pump assembly. Refer to *Figure 9*.

- b. Unscrew the two pump motor electrical quick disconnects from the water saving control housing located at the rear of the washer-extractor.
  - c. Slide off the long black hoses that run from the water tanks. Refer to *Figure 9*.
  - d. Remove pump assembly and place to the side.
3. Positioning and bolting down the washer-extractor:

Refer to Mechanical Installation Section for boltdown instructions.

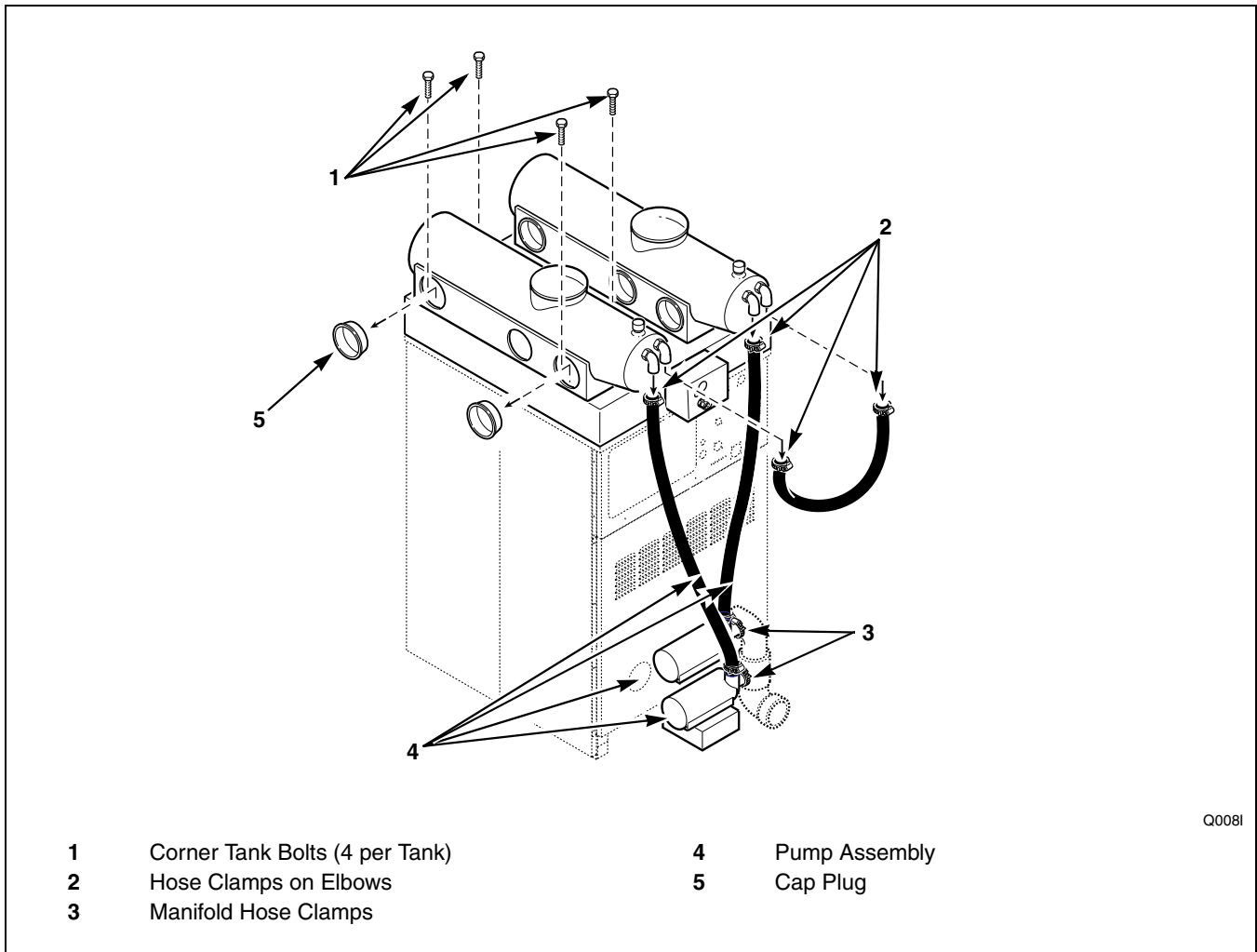


Figure 9


4. Reassembling the pump assembly:
    - a. Replace pump assembly at the rear of the washer-extractor, resting flat on the floor.
    - b. Secure the two pump motor electrical quick disconnects to the water saving control housing.
    - c. Replace manifold hose clamp at rear of washer-extractor.
    - d. Check ball valve for closed position. Before operating machine, ball valve must be closed.
  - d. Slide on long black hoses to the appropriate tank elbow at the rear of each tank – right tank to top pump, left tank to bottom pump. Tighten hose clamps.
  - e. Tighten the three clamps underneath each tank.
  - f. Replace the three cap plugs on each side of the tanks.
6. Installing the tank vacuum vents:
    - a. Remove tank vacuum vents from packaging.
    - b. Apply Teflon tape to vacuum vent threads and screw into top of each tank, tightening by hand only.

**NOTE: Pump rotation must be counterclockwise when pump is viewed from fan end or clockwise when viewed from plastic pump head end. Improper rotation will cause the pump to fail resulting in increased cycle time. Refer to rotation arrow on pump in *Figure 5*. Rotation may be corrected by exchanging two 3-phase power wires at input power terminal block then recheck each pump separately.**

5. Replacing the water tanks:
  - a. Carefully replace the tanks on top of the washer-extractor.
  - b. Replace the four bolts behind cap plug at each corner of tanks.
  - c. Slide on short black hose to the large tank elbow at the rear of the tank. Refer to *Figure 9*. Tighten hose clamp.

### Tank Overflows

Some tank overflows have external 2" PVC connections. These connections may be plumbed to an open trough or floor drain.

	<b>CAUTION</b>
<b>Tank damage. Connections made to the overflow must point downward from the tank. Routing plumbing upward will damage tanks.</b>	

**IMPORTANT: Connections made to the overflow must provide adequate support for weight of pipe and fittings.**





# Maintenance

## Daily

### Beginning of Day

Inspect water saving tanks and all associated plumbing connections for leaks.

### End of Day

Run drain tank cycle.

## Weekly

Clean tanks by removing cap on top of tanks and flush out with a hose. Sanitize as needed.

## Monthly

Flush drain ball valve, opening fully, to purge any lint or debris from pump manifold.

Check top section nuts on tank frame to ensure they are tightened to the specified torque (220 in. lb.).



# Removal from Service

## Decommissioning

Check water tanks to make sure all water has been emptied from both tanks.



# Operation

## LED Display

The following table lists the various displays for the Water Saving System (WSS) and what they mean.

These displays are the same for both models and are displayed in the left two display digits. The operator should become familiar with these computer displays.

## Manual Mode Control Feature

WSS functions are not manually controllable.

Display Interpretations	
<b>aL</b>	Fill machine from tank A to low level
<b>aM</b>	Fill machine from tank A to medium level
<b>aH</b>	Fill machine from tank A to high level
<b>bL</b>	Fill machine from tank B to low level
<b>bM</b>	Fill machine from tank B to medium level
<b>bH</b>	Fill machine from tank B to high level
<b>Da</b>	Drain machine to tank A
<b>Db</b>	Drain machine to tank B

**NOTE: The left tank is designated as tank A as seen from the front of the machine, the right tank is tank B.**

Table 3

**NOTE: To prevent water hotter than 160°F from draining into the water saving tanks, an alarm will sound and “DRTEMP” will be displayed. If the STOP key is not pressed within two minutes, the machine will automatically stop.**



# Programming

**NOTE: The following programming information is for both Cabinet Freestanding and Pocket Hardmount models with the Water Saving System (WSS). Use in conjunction with respective operating/programming manuals.**

When programming steps using the WSS, the computer must be in the PROGRAM mode and ready for the next step. The display will read “nncc”, where “nn” represents step number and “cc” represents cycle number.

## Programming a Recovery Fill from Water Saving Tank(s)

1. Press the Auxiliary key. The display will read “A-nncc”.
2. Press key **6** to select a fill from tank A. The display will read “a-nncc”. To select a fill from tank B, press key **7** instead. The display will read “b-nncc”.
3. Press the **Low, Medium, or High** key to select a water level. The second digit of the display will read either “L”, “M,” or “H”, respectively for a low, medium, or high water level. For example, if a low level fill from tank A is selected, the display will read “aLncc”.
4. Press the **Enter** key. The display will now read “M---S”.
5. Enter the desired maximum fill time. To program 5 minutes, press key **5**. The display will read “5M-00S”.
6. Once the desired time had been entered, press the **Enter** key to go to the next step of the cycle or to exit PROGRAM mode.

## Programming a Water Saving Drain Step

1. Press the **Drain** key. The display will read “D-nncc”.
2. Press key **2** to drain tank A or key **3** to drain to tank B. The display will read “Danncc” if tank A is selected and “Dbnncc” if tank B is selected.
3. Press the Enter key. The display will read “M---S.”
4. Enter the desired time for the drain step. For example, to enter a time of five minutes, press key **5**. The display will show “5M-00S.”

**NOTE: If machine does not empty in this amount of time, “EMPTY”, will be displayed.**

5. Press the **Enter** key and go to the next step in the cycle or the PROGRAM mode may be exited.

**NOTE: When programming a drain step, it is necessary to specify which type of drain is desired, because water saving features are available at all times.**

**NOTE: The WE-6 computer will not permit draining into a tank if the water temperature exceeds 160 degrees Fahrenheit. In that event, the display will show “DRTEMP”, the WE-6 will turn off all outputs (except applicable drain[s]) and will sound the buzzer. This will continue for up to two minutes. If the operator does not respond within two minutes the WE-6 aborts the cycle. The operator can press the START key to begin the drain step again, or press the STOP key to end the cycle.**

## Programming Cycles

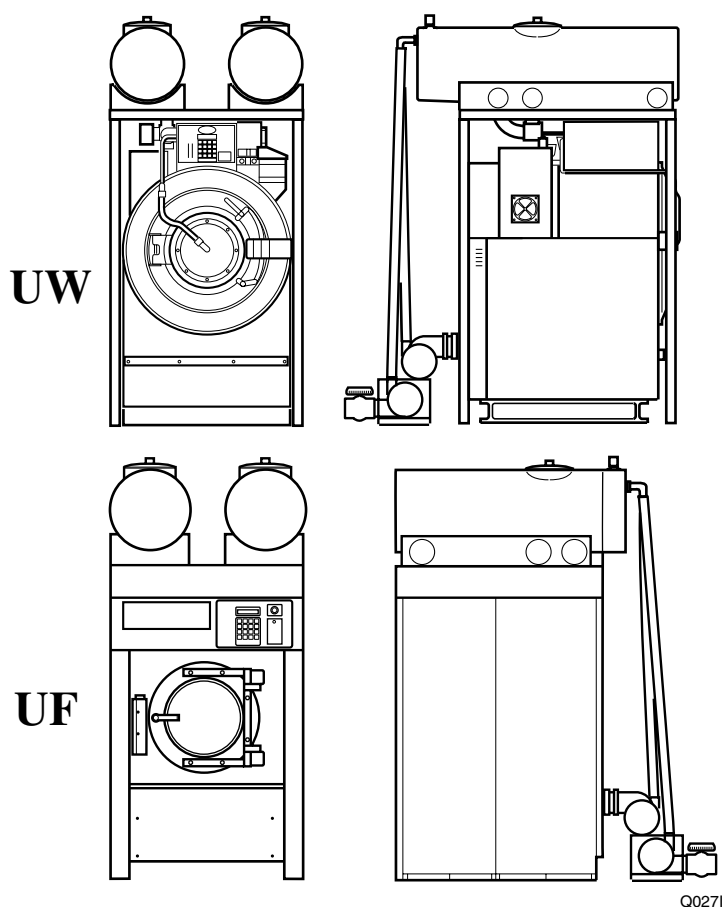
Refer to the Programming section in the Operation/ Programming manuals (P/N F232059 for UF models, P/N F232089 for UW models) for preprogrammed cycles.





# Sistema de ahorro de agua

Suplemento de instrucciones de instalación, mantenimiento, operación y programación  
Refiérase a la identificación de modelos en la pagina 35



**Guarde estas instrucciones para referencia futura.**

(Si esta máquina cambia de dueño, este manual deberá ser entregado con la misma).



Pieza No. F232122R3  
Octubre 2000



# Contenido

<b>Introducción</b> .....	35
Identificación de modelos .....	35
<b>Instalación</b> .....	37
Espacios libres .....	38
Cimientos para la máquina .....	40
Cimientos para la estructura de tanques del sistema de ahorro de agua en modelos de lavadora extractora cilíndrica de montaje permanente (UWPV) .....	40
Instalación mecánica.....	41
Instalación de pernos de montaje para modelos de lavadora extractora de gabinete autoestable (UFPV) con sistema de ahorro de agua .....	41
Instalación de pernos de montaje para modelos cilíndricos de montaje permanente (UWPV) con sistema de ahorro de agua..	41
Desmontaje de la sección superior.....	43
Instrucciones para instalación de modelos de lavadora extractora cilíndrica de montaje permanente (UWPV) con sistema de ahorro de agua .....	45
Agujeros de rebose de los tanques .....	50
Opción de calentamiento por vapor .....	50
Instrucciones para instalación de modelos de lavadora extractora de gabinete autoestable (UFPV) con sistema de ahorro de agua .....	51
Agujeros de rebose de los tanques .....	53
<b>Mantenimiento</b> .....	55
Diariamente.....	55
Al comienzo del día .....	55
Al final del día .....	55
Semanalmente.....	55
Mensualmente.....	55
<b>Puesta fuera de servicio</b> .....	57
Puesta fuera de servicio .....	57
<b>Operación</b> .....	59
Pantalla de LED.....	59
Función de control del modo manual .....	59
<b>Programación</b> .....	61
Programación de un llenado de recuperación desde el(los) tanque(s) del sistema de ahorro de agua.....	61
Programación de un paso de desagüe del sistema de ahorro de agua...	61
Ciclos preprogramados .....	61

© Copyright 2000, Alliance Laundry Systems LLC

Reservados todos los derechos. Ninguna sección del presente manual puede ser reproducida o transmitida en forma alguna o a través de ningún medio, sin el expreso consentimiento por escrito del editor.



# Introducción

## Identificación de modelos

La información contenida en este manual es aplicable a los siguientes modelos:

UW 60 PV  
UW 100 PV  
UF 35 PV  
UF 50 PV  
UF 85 PV



# Instalación

Este manual está diseñado como un suplemento para la instalación, mantenimiento, operación y programación de las lavadoras extractoras modelos PV de gabinete autoestable y cilíndrica de montaje permanente, equipadas con el sistema de ahorro de agua (WSS).

Este manual debe usarse junto con la información que aparece en los manuales con números de parte F232084, F232089, F232058 y F232059 (que se suministran con la lavadora extractora).

Especificaciones generales de modelos con sistema de ahorro de agua					
Modelos	Cilíndrico de montaje permanente		De gabinete autoestable		
	UW60PV	UW100PV	UF35PV	UF50PV	UF85PV
<b>Dimensiones generales</b>					
<b>Anchura general, mm (plg)</b>	1053 (41 7/16)	1195 (47 1/16)	889 (35)	990,6 (39)	1181,1 (46 1/2)
<b>Altura general, mm (plg)</b>	2311 (91)	2429 (95 5/8)	2070 (81 1/2)	2159 (85)	2426 (95 1/2)
<b>Profundidad general, mm (plg)</b>	1568 (61 3/4)	1861 (73 1/4)	1392 (54)	1449 (56,85)	1670 (65 3/4)
<b>Información de peso y transporte</b>					
<b>Peso neto, kg (lb)</b>	657,7 (1450)	821 (1810)	595,1 (1312)	771,1 (1700)	1406,1 (3100)
<b>Peso de transporte doméstico, kg (lb)</b>	707,6 (1560)	877,7 (1935)	639,6 (1410)	816,5 (1800)	1474,2 (3250)
<b>Volumen de transporte doméstico, m<sup>3</sup> (pies<sup>3</sup>)</b>	5,8 (207)	6,0 (212)	3,88 (137)	4,05 (143)	4,04 (201)
<b>Peso de transporte de exportación, kg (lb)</b>	726 (1600)	967 (2130)	681 (1500)	863 (1900)	1521 (3350)
<b>Volumen de de exportación, m<sup>3</sup> (pies<sup>3</sup>)</b>	6,5 (229)	6,7 (235)	3,88 (137)	4,05 (143)	5,69 (201)

Especificaciones eléctricas para modelos con sistema de ahorro de agua*													
Designación del voltaje						Estándar				Calor eléctrico			
Modelo	Código	Voltaje	Ciclo	Fase	Cable	Amperios de plena carga	Disyuntor	Galga americana para alambres	mm <sup>2</sup>	Amperios de plena carga	Disyuntor	Galga americana para alambres	mm <sup>2</sup>
<b>60 WSS</b>	N	440-480	50-60	3	3	6	15	14	3x2,5	33	40	8	3x10
	P	380-415	50-60	3	3	6	15	14	3x2,5	29	40	8	3x10
	Q	200-240	50-60	3	3	12	15	14	3x2,5	66	80	3	3x25
<b>35 WSS</b>	N	440-480	50-60	3	3	6	15	14	3x2,5	32	35	8	3x10
	P	380-415	50-60	3	3	6	15	14	3x2,5	32	35	8	3x10
	Q	200-240	50-60	3	3	12	15	14	3x2,5	50	50	8	3x10
<b>50 WSS</b>	N	440-480	50-60	3	3	6	15	14	3x2,5	43	50	8	3x10
	P	380-415	50-60	3	3	6	15	14	3x2,5	43	50	8	3x10
	Q	200-240	50-60	3	3	12	15	14	3x2,5	76	80	4	3x25

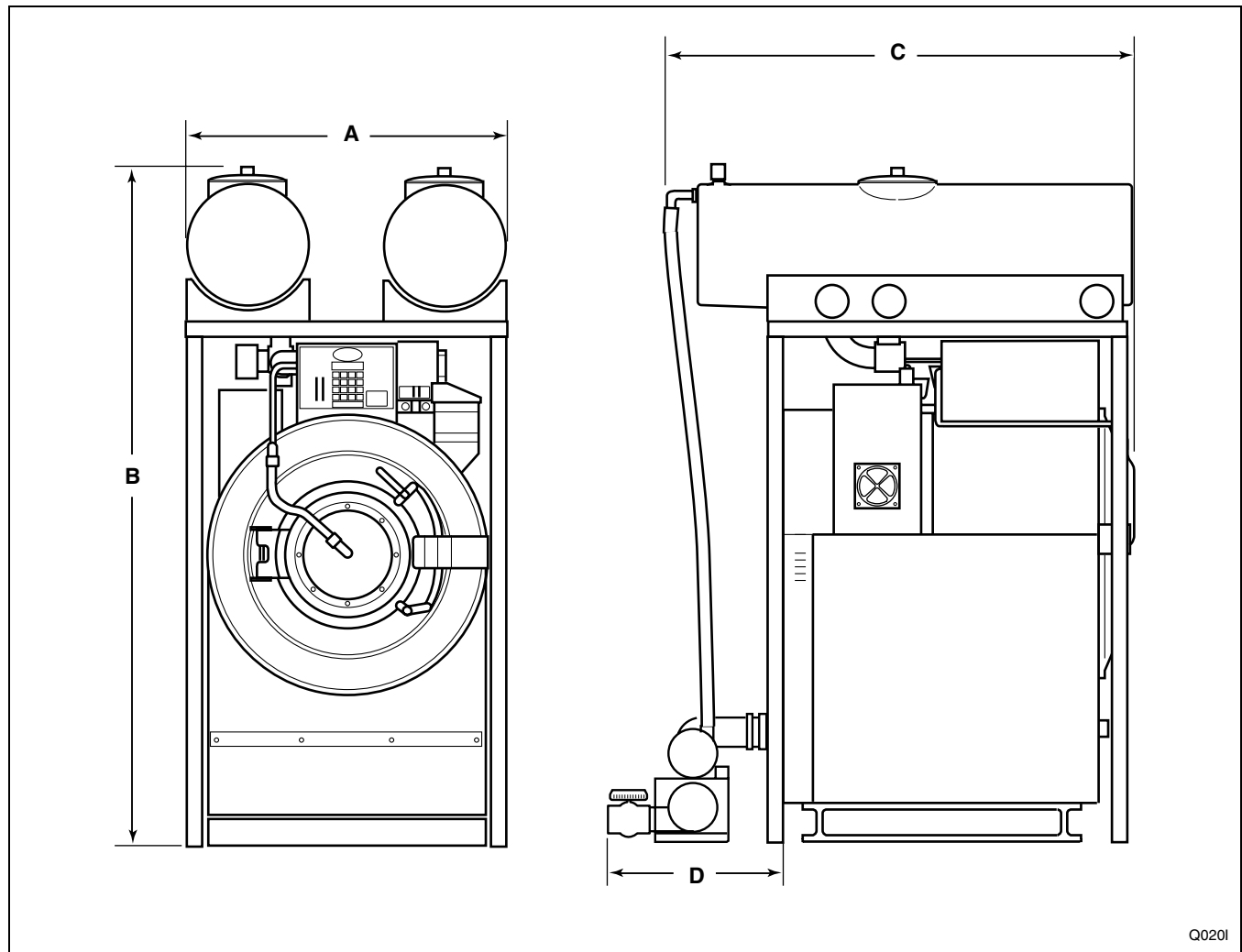
**NOTA:** Los tamaños de los cables que aparecen son para el conductor de cobre, THHN, de 90° para el artículo NEC 310.

\*La información de voltaje para los modelos \*UW80PVWSS es igual a la de los modelos estándares UW80PV.

## Espacios libres

UWPV cilíndrica de montaje permanente con sistema de ahorro de agua Dimensiones de la máquina*				
Dimensiones	60		100	
	plg	mm	plg	mm
<b>A</b>	41-7/16	1052,5	47-1/16	1195,4
<b>B</b>	91	2311	95-5/8	2428,9
<b>C</b>	61-3/4	1568	73-1/4	1861
<b>D</b>	15-3/4	400	15-3/4	400

\* Deje una separación de por lo menos 610 mm (24 plg) por la parte trasera y 460 mm (18 plg) por los lados, para fines de mantenimiento, inspección y ajuste. Deje por lo menos 460 mm (18 plg) entre una máquina y otra en instalaciones de múltiples unidades.



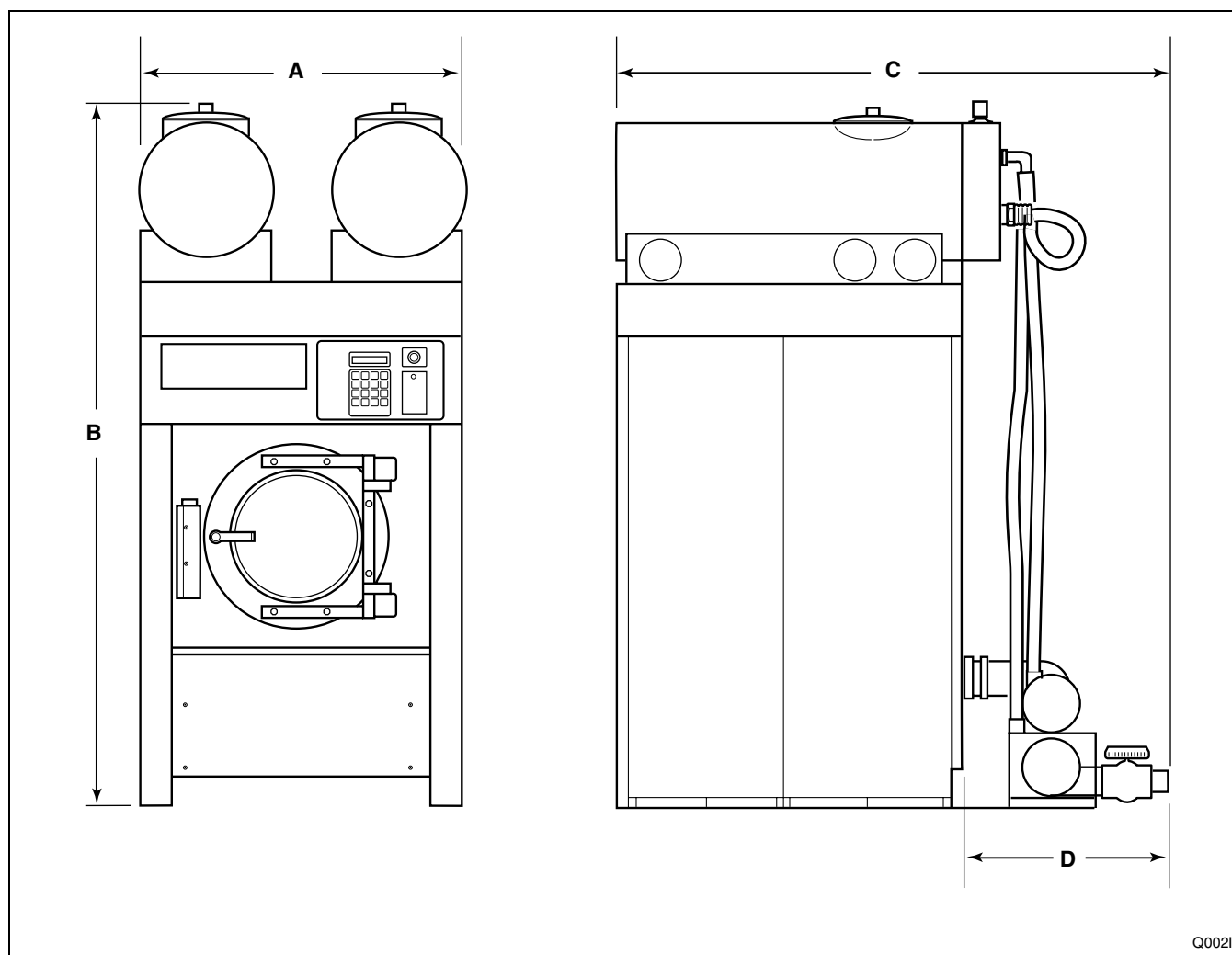
Q0201



**UFPV de gabinete autoajustable con sistema de ahorro de agua**  
**Dimensiones de la máquina\***

Dimensiones	35		50		85	
	mm	plg	mm	plg	mm	plg
<b>A</b>	889	35	990,6	39	1181,1	46-1/2
<b>B</b>	2070	81-1/2	2159	85	2426	95-1/2
<b>C</b>	1448	57	1537	60-1/2	1727	68
<b>D</b>	400	15-3/4	400	15-3/4	400	15-3/4

\* Deje una separación de por lo menos 610 mm (24 plg) por la parte trasera y 460 mm (18 plg) por los lados, para fines de mantenimiento, inspección y ajuste. Deje por lo menos 460 mm (18 plg) entre una máquina y otra en instalaciones de múltiples unidades.



## Cimientos para la máquina

Para obtener la información relacionada con los cimientos, tanto para el modelo UWPV como para el modelo UFPV, consulte la sección correspondiente de los manuales de instalación/mantenimiento respectivos.

Para obtener la información sobre los modelos UFPV con el sistema de ahorro de agua, consulte en la *Tabla 1* los datos de carga total sobre el piso.

<b>Datos de carga sobre el piso de la lavadora extractora UFPV de gabinete autoestable</b>			
	<b>35</b>	<b>50</b>	<b>85</b>
Carga estática sobre el piso, kN (lb)	9,755 (2193)	11,899 (2675)	22,472 (5052)
Presión estática kN-m <sup>2</sup> (lb-pie <sup>2</sup> )	11,07 (231)	11,45 (239)	15,00 (313)

Tabla 1

## Cimientos para la estructura de tanques del sistema de ahorro de agua en modelos de lavadora extractora cilíndrica de montaje permanente (UWPV)

Unos cimientos apropiados son absolutamente necesarios para todas las lavadoras extractoras UWPV con sistemas de ahorro de agua debido al peso del agua a alturas elevadas.

**NOTA: No realice la instalación sobre pisos de madera, en pisos superiores o sobre sótanos. La instalación debe ser hecha sobre una losa rasante de hormigón, o similar.**

**IMPORTANTE: Asegúrese de que la estructura de los tanques quede instalada sobre un piso nivelado con suficiente resistencia y de que se dejen los espacios libres recomendados para inspección y mantenimiento. Nunca permita que dichos espacios queden bloqueados.**

La estructura de los tanques debe ser anclada a una superficie uniforme y nivelada, de tal forma que las cuatro patas queden apoyadas y descansen sobre toda la superficie de montaje.

Si la instalación de la lavadora extractora incluye el WSS, la base elevada deberá diseñarse para aceptar una anchura adicional de 10 cm (4 plg) ppor cada lado de la lavadora extractora y corregir así la alineación.

En la *Tabla 2* se presenta la carga de la lavadora extractora, de los tanques y de la estructura sobre el piso o los cimientos.

<b>Datos de carga sobre el piso de la lavadora extractora UWPV cilíndrica de montaje permanente</b>		
	<b>60</b>	<b>100</b>
Carga estática sobre el piso, kN (lb)	11,7 (2617)	19,3 (4341)
Presión estática por pata kN-m <sup>2</sup> (lb-pie <sup>2</sup> )	10,9 (227)	13,0 (271)

Tabla 2

## Instalación mecánica

### Instalación de pernos de montaje para modelos de lavadora extractora de gabinete autoestable (UFPV) con sistema de ahorro de agua

Consulte el manual de instalación/mantenimiento (N/P F232059) para obtener información sobre la instalación de los pernos de montaje en los modelos UFPV.

### Instalación de pernos de montaje para modelos cilíndricos de montaje permanente (UWPV) con sistema de ahorro de agua

**NOTA:** La estructura del WSS deberá quedar fijada permanentemente al piso.

Todas las máquinas UWPV usan pernos de 5/16-18 x 6 plg para el montaje de la estructura de tanques. Siga el esquema de montaje de los pernos que aparece en la *Figura 2*.

El extremo con rosca de los pernos debe sobresalir 5 cm (2 plg) sobre la superficie del suelo.

En la *Figura 1* se indica la instalación típica de los pernos de montaje individuales en la estructura del sistema de ahorro de agua.

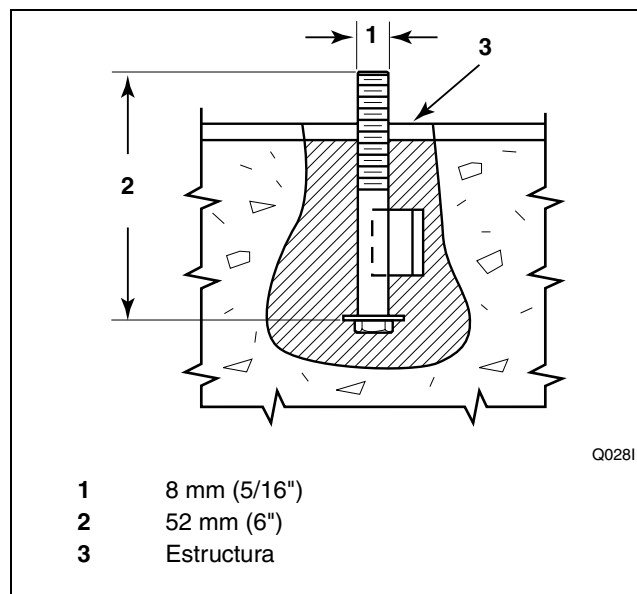
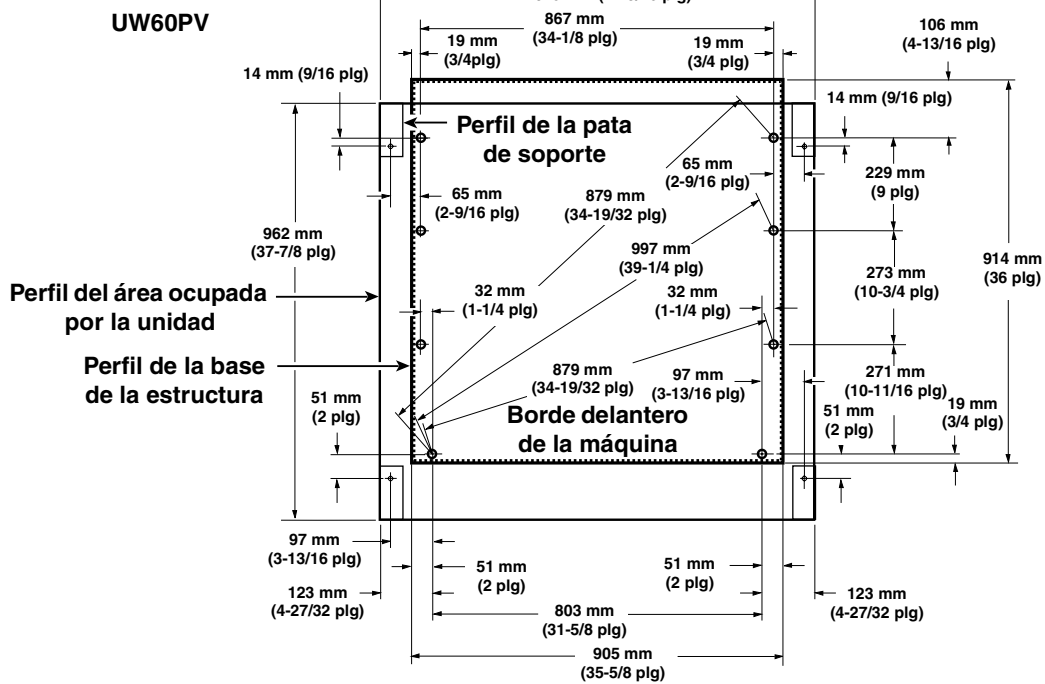
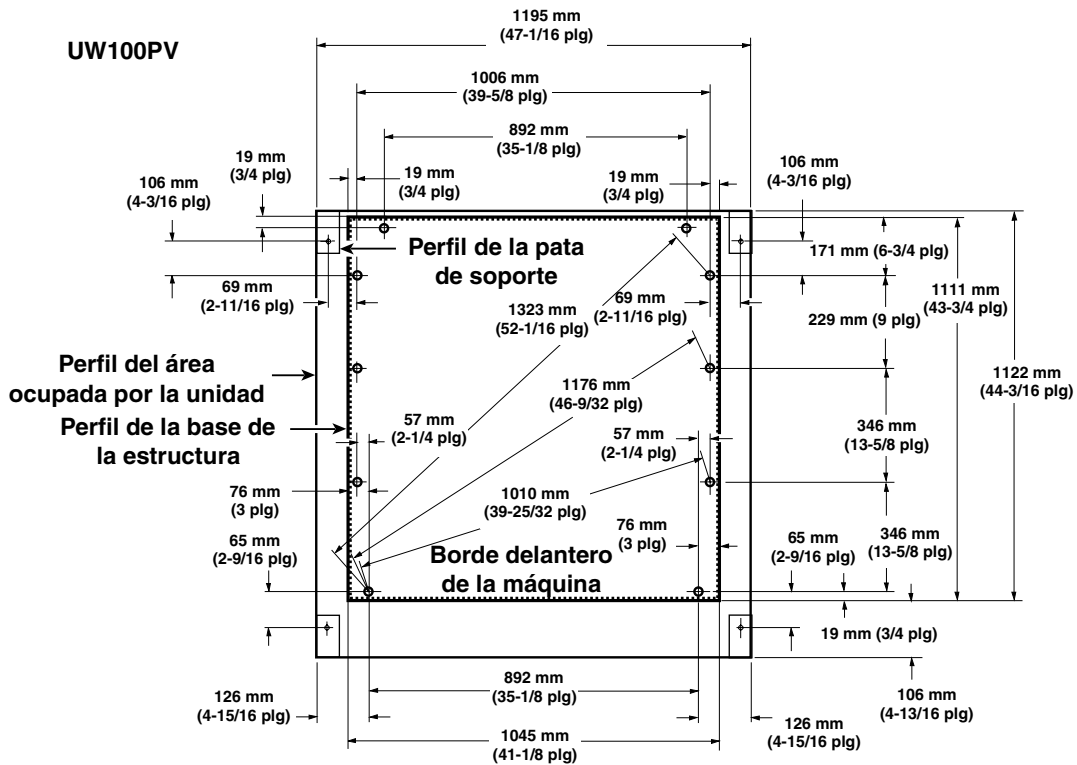


Figura 1



Q023I



Q024I

Figura 2

Consulte en esta sección las especificaciones generales del sistema de ahorro de agua (WSS) para determinar si hay una separación adecuada alrededor de la puerta de la máquina. Si no la hay, y el WSS necesita ser retirado, consulte la sección “Desmontaje de la sección superior”. Si la separación es suficiente, continúe como se indica a continuación:

**NOTA: Espere a que el concreto (hormigón) se cure antes de comenzar la instalación.**

1. Coloque el WSS al lado del cimiento de concreto.

**IMPORTANTE: Mueva el WSS levantándolo por la estructura únicamente. Nunca mueva el WSS levantando, empujando o tirando de los tanques.**

2. Saque los pernos de máquina sujetando la plataforma de madera a las patas laterales de la estructura del WSS.
3. Coloque el WSS sobre los pernos de montaje.
4. Nivele las secciones superior y laterales de la estructura. Alinéela con la lavadora extractora.

**NOTA: La lavadora extractora y el WSS no deben hacer contacto en ningún punto. Si es necesario elevar la máquina para apretar los pernos, el WSS deberá elevarse también a una altura equivalente.**

5. Apriete las tuercas y arandelas de montaje para asegurar la estructura al piso.

## Desmontaje de la sección superior

Si es necesario desmontar la sección superior debido a que no hay espacio suficiente, consulte la *Figura 3* y proceda como se indica a continuación:

1. Coloque el WSS al lado del cimiento de concreto.

**IMPORTANTE: Mueva el WSS levantándolo por la estructura únicamente. Nunca mueva el WSS levantando, empujando o tirando de los tanques.**

2. Sujete la sección superior con el equipo de izado.
3. Saque de la sección superior los ocho pernos y tuercas que sujetan los lados de la estructura a la parte superior. Consulte la *Figura 3*.
4. Asegure en su lugar ambos lados de la estructura y levante la sección superior con el equipo de izado.
5. Saque de la plataforma de madera los lados de la estructura sacando para ello los pernos que los mantienen unidos a la plataforma. Saque la barra de soporte de la estructura. Consulte la *Figura 3*.
6. Coloque ambos lados de la estructura sobre los pernos de montaje y vuelva a colocar la barra de soporte de la estructura. Enrosque las tuercas de montaje hasta que las piezas queden unidas, pero lo apriete las tuercas todavía.

## Instalación

7. Baje con cuidado la sección superior sobre los lados de la estructura. Inserte los ocho pernos de la sección superior, y los cuatro pernos de la barra de soporte de la estructura. Coloque las tuercas correspondientes y apriételas bien.
8. Nivele la sección superior y los lados de la estructura. Alinéelos con la lavadora extractora.

**NOTA: La lavadora extractora y el WSS no deben hacer contacto en ningún punto. Si es necesario elevar la máquina para apretar los pernos, el WSS deberá elevarse también a una altura equivalente.**

9. Apriete las tuercas y arandelas de montaje para asegurar la estructura al piso.

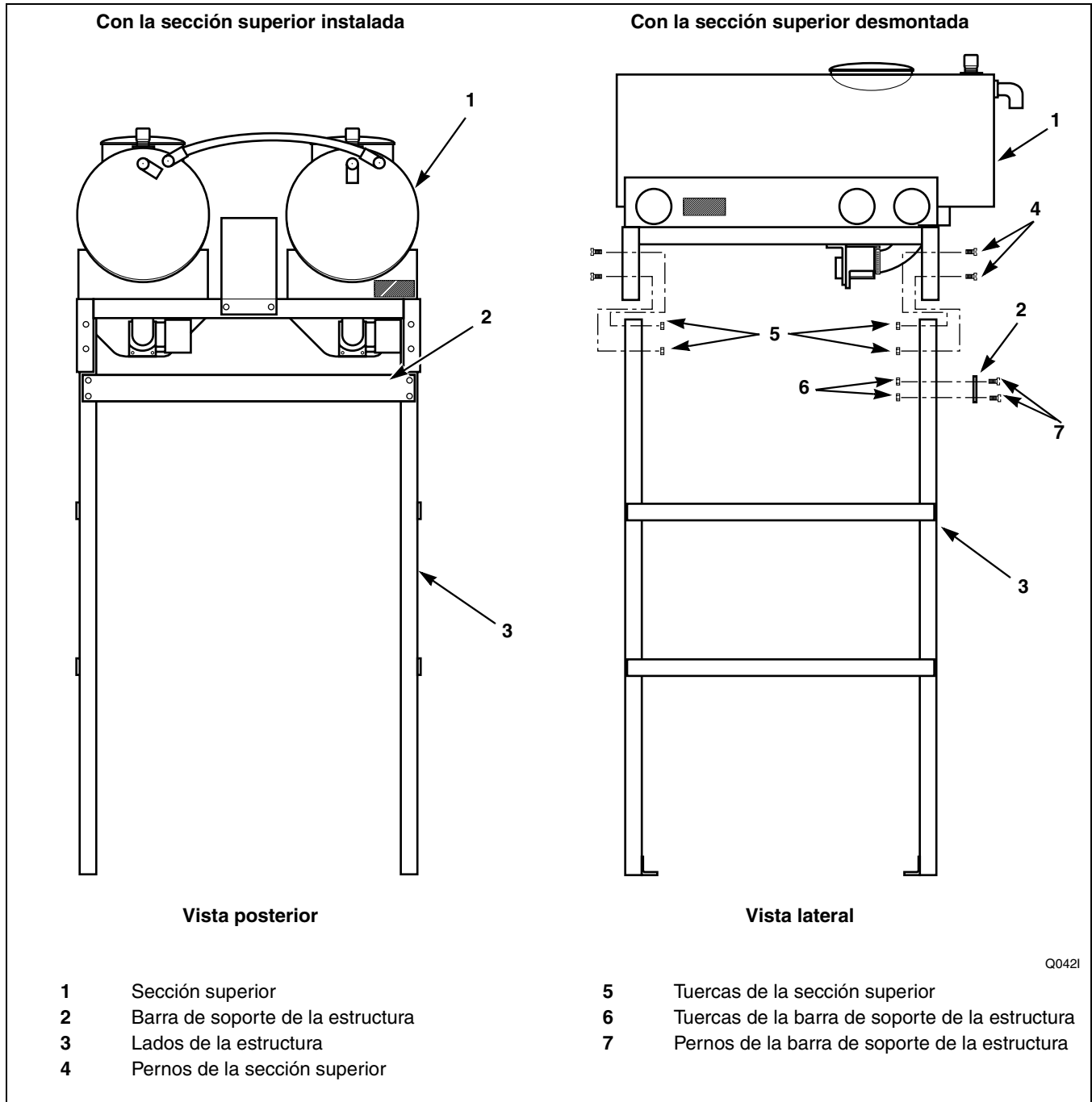


Figura 3

## Instrucciones para instalación de modelos de lavadora extractora cilíndrica de montaje permanente (UWPV) con sistema de ahorro de agua

Lea detenidamente las instrucciones siguientes antes de proceder. El instalador deberá estar bien familiarizado con las instrucciones antes de intentar la instalación del WSS. Consulte la sección “Cimientos para la estructura de tanques del sistema de ahorro de agua” en lo relacionado con el apriete de los pernos.

	<b>ADVERTENCIA</b>
<p><b>Cierre con llave el panel de alimentación principal y en la fuente de corriente eléctrica que llega a la caja de control antes de realizar cualquiera de los procedimientos de servicio.</b></p>	
	SW007

**IMPORTANTE:** Asegúrese de que la máquina sea instalada sobre un piso nivelado con la suficiente resistencia y de que se mantengan los espacios libres necesarios para inspección y mantenimiento. Nunca permita que el espacio para inspección y mantenimiento quede bloqueado.

Consulte las especificaciones generales del WSS en esta sección para determinar si hay espacio suficiente para la máquina. Si no lo hay, y es necesario retirar el WSS, consulte la sección “Desmontaje de la sección posterior”.

Consulte las Especificaciones eléctricas para modelos con sistema de ahorro de agua (WSS) para obtener información sobre el voltaje.

1. Conexión del WSS a la lavadora extractora:

**NOTA:** El conjunto de mangueras de desagüe viene en un paquete dentro del cesto de la lavadora extractora.

- a. Saque del paquete el conjunto de mangueras de desagüe del tanque. Coloque la manguera de desagüe en las válvulas de desagüe del tanque y en la tubería con revestimiento de la lavadora extractora. Instale las abrazaderas de manguera grandes en las válvulas de desagüe y la abrazadera de manguera pequeña en la tubería con revestimiento, y apriéte las. Consulte las *Figuras 4 y 5*.

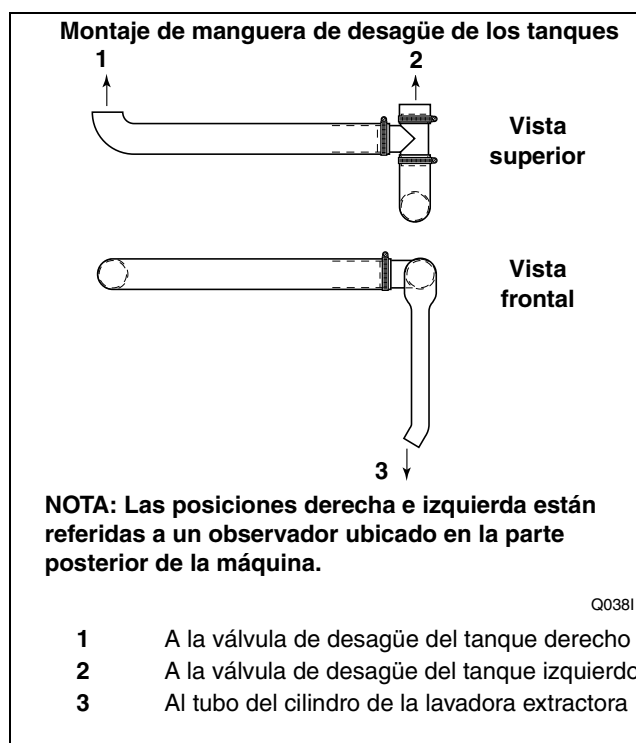


Figura 4

*Para máquinas de 220V:*

- a. Para realizar una conexión eléctrica, conecte el cable de señal de control al receptáculo de desconexión rápida “C1” (señal) (la clavija que se encuentra más arriba en la parte posterior del módulo de control de la lavadora extractora). Conecte el cable de alimentación al receptáculo de desconexión rápida “C2” (alimentación). Consulte la *Figura 7*.

**NOTA:** Los receptáculos y clavijas están marcados para realizar una conexión correcta. Por ejemplo, el cable de señal de control sólo encaja en “C1”. No aplique demasiada fuerza al conectar.

*Para máquinas de 110V:*

- a. Afloje la tuerca de la parte trasera del protector contra tirones PG9, ubicado en la parte posterior del módulo de control de la lavadora extractora. Consulte la *Figura 8*. Haga pasar los cables de alimentación trifásica y el cable verde de tierra a través del protector contra tirones, recogiendo el exceso de cable dentro del módulo de control, y dejando una longitud suficiente para la conexión al bloque de terminales de alimentación de entrada y de tierra.
- b. Conecte los cables de alimentación trifásica al bloque de terminales de entrada de alimentación, ubicado dentro del módulo de control de la lavadora extractora.

## Instalación

2. Instalación del conjunto de bombas (consulte la *Figura 5*):

**NOTA: El conjunto de bombas viene en un paquete dentro del cesto de la lavadora extractora.**

- a. Saque el conjunto de bombas del paquete y colóquelo por la parte posterior de la lavadora extractora, descansando en posición horizontal sobre el suelo.
- b. Encamine los dos cables de conexión del motor al alojamiento de control del WSS (ver *Figura 8*). Deslice los conectores hacia dentro y enrósquelos hasta que queden bloqueados. Los receptáculos y cables de bomba están marcados "PA" y "PB". Consulte la *Figura 7*.
- c. Instale la abrazadera grande de la manguera del distribuidor ubicada en la parte posterior de la lavadora extractora y apriétela. Consulte la *Figura 5*.
- d. Compruebe que la válvula de bola está en la posición cerrada. Antes de hacer funcionar la máquina, la válvula de bola deberá estar cerrada.

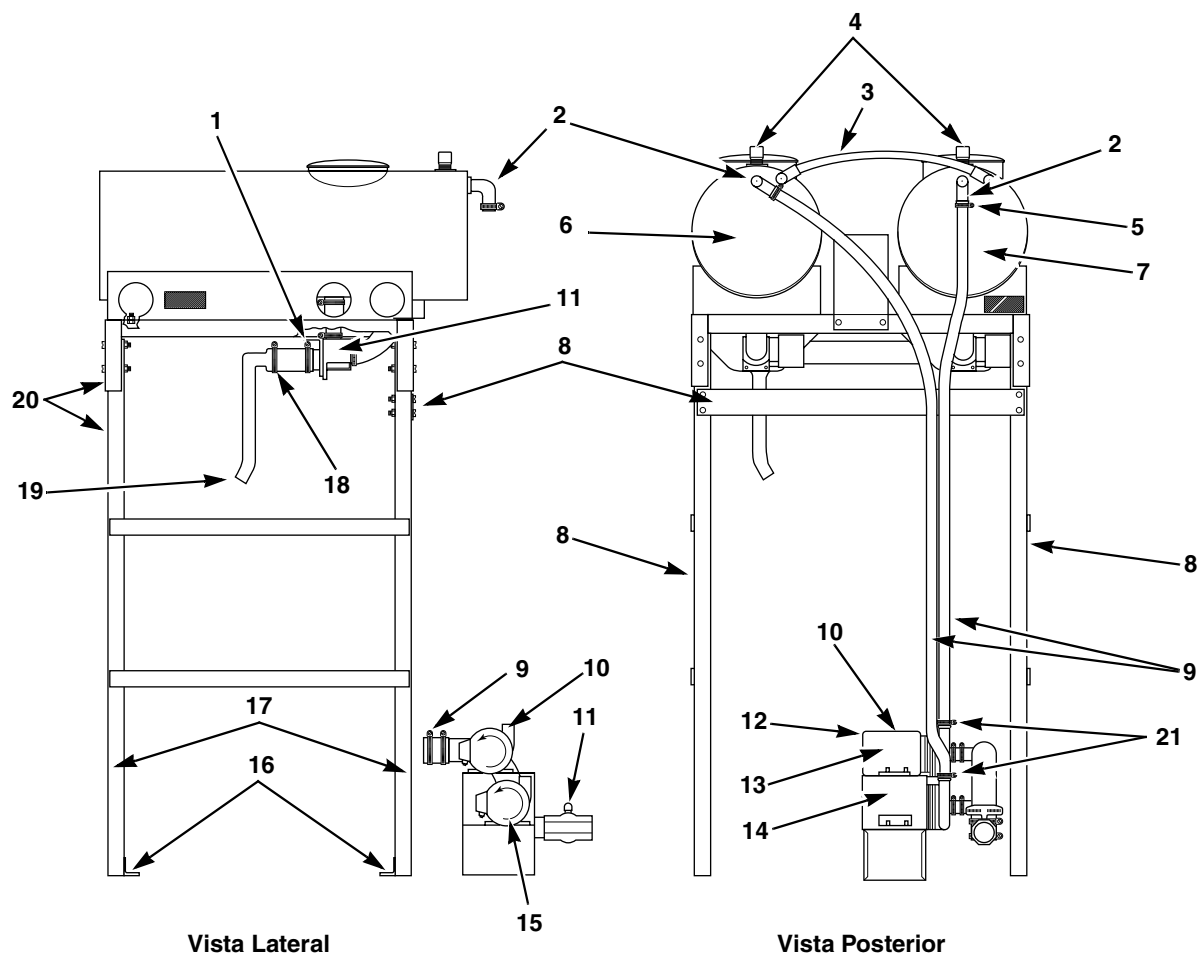
**NOTA: La bomba deberá girar en sentido contrario al de las agujas del reloj cuando es vista desde el extremo del ventilador, o en el sentido de las agujas del reloj cuando es vista desde el extremo del cabezal plástico de la bomba. La rotación invertida hará fallar la bomba, lo cual alargaría el tiempo de ciclo. Observe el rótulo con la flecha indicadora del sentido de rotación sobre la bomba y en la *Figura 5*. Para corregir el sentido de rotación, intercambie dos de los cables de alimentación trifásica en el lado de la carga del contactor respectivo, ubicado en el módulo de control de ahorro de agua (WSS) montado a distancia.**

3. Instalación de la manguera de la bomba y las bocas de ventilación:

**NOTA: Las mangueras de bomba y las bocas de ventilación vienen en un paquete dentro del cesto de la lavadora extractora.**

- a. Saque del paquete las mangueras de las bombas y cuatro abrazaderas de manguera pequeñas.
- b. Coloque la manguera en la bomba apropiada (bomba superior al tanque derecho, bomba inferior al tanque izquierdo, vistos desde la parte posterior) y el codo del tanque a la parte posterior de cada tanque. Consulte la *Figura 5*. Apriete las abrazaderas de manguera pequeñas.
- c. Coloque cinta de teflón a las roscas de las bocas de ventilación y enrosque encima de cada tanque; apriete con la mano solamente.
- d. Asegure a las patas de la estructura las dos mangueras de bomba y los dos cables de motor de bomba con abrazaderas para cable.



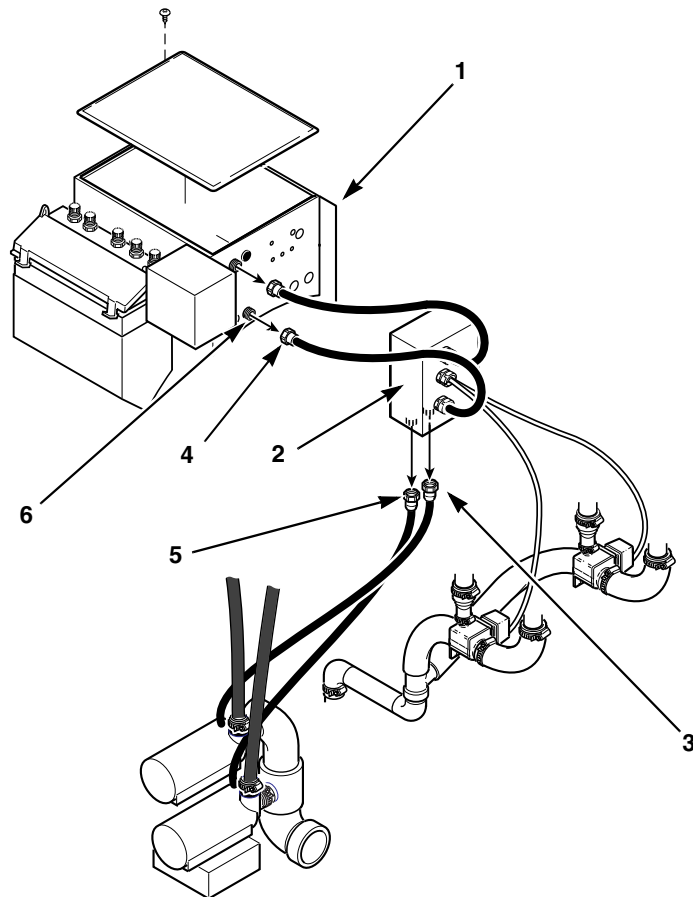


- |    |                                       |    |  |
|----|---------------------------------------|----|--|
| 1  | Abrazadera de manguera larga          | 13 | Bomba superior   |
| 2  | Codo de tanque                        | 14 | Bomba inferior   |
| 3  | Agujero de desagüe de tanque de 2 plg | 15 | Rotación de la bomba en sentido antihorario                    |
| 4  | Agujeros de ventilación de vacío      | 16 | Pernos de máquina para sujeción de la plataforma de transporte |
| 5  | Abrazadera de manguera pequeña        | 17 | Patas laterales de la estructura                               |
| 6  | Tanque izquierdo                      | 18 | Conjunto de mangueras de desagüe de los tanques                |
| 7  | Tanque derecho                        | 19 | Al tubo del cilindro de la lavadora extractora (no mostrado)   |
| 8  | Lados de la estructura                | 20 | Estructura   |
| 9  | Mangueras de bomba                    |    |  |
| 10 | Conjunto de bombas                    |    |  |
| 11 | Válvula de bola                       |    |  |
| 12 | Extremo de ventilador de bomba        |    |  |

Q039I

Figura 5

Orientación de la máquina con sistema de ahorro de agua integrado UW

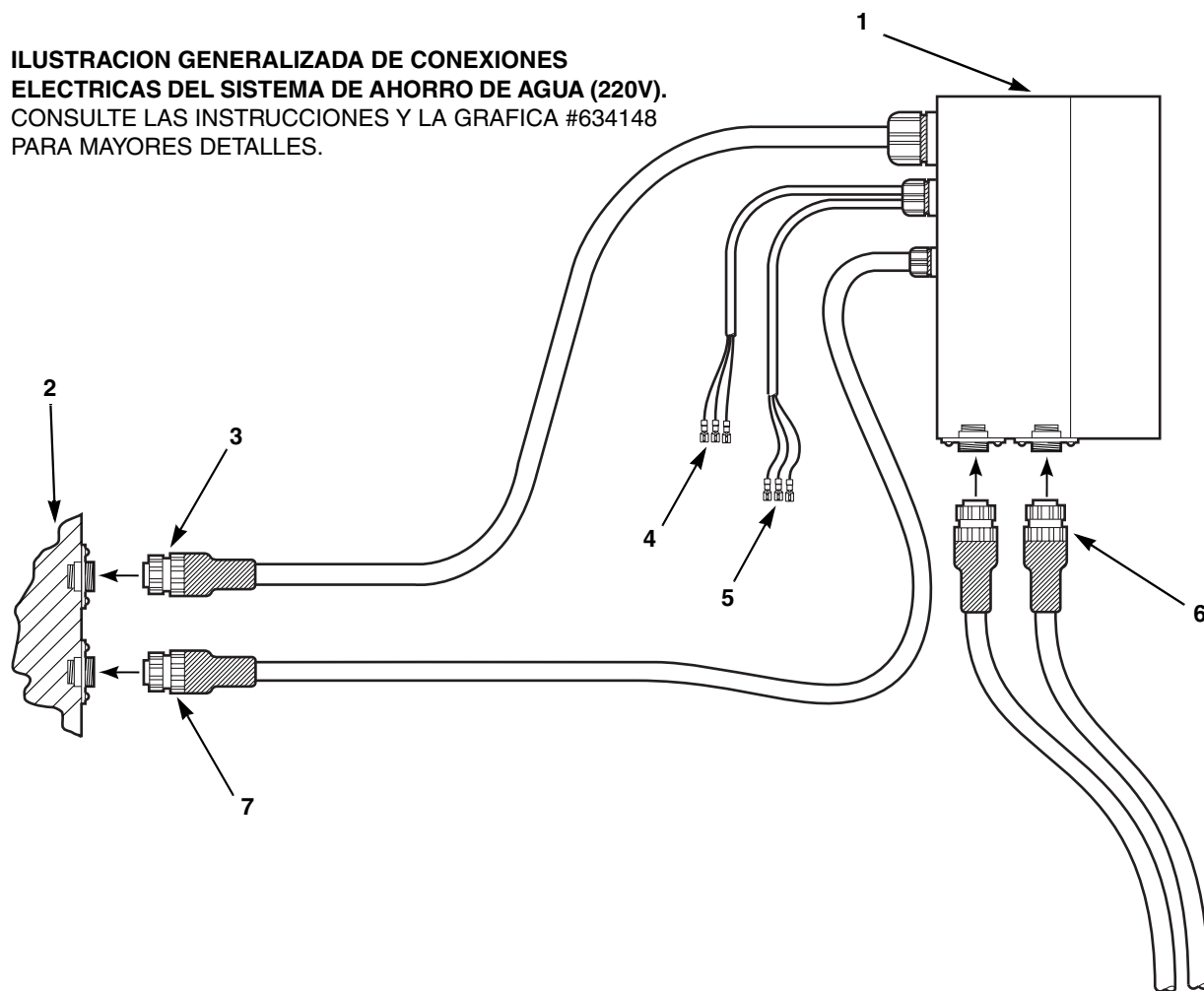


- 1 Módulo de control de la lavadora extractora
- 2 Alojamiento del control de ahorro de agua
- 3 Receptáculo de conexión rápida para el motor de la bomba del Tanque "A"
- 4 Receptáculo y clavija de conexión rápida, C2 (Alimentación)
- 5 Receptáculo de conexión rápida para el motor de la bomba del Tanque "B"
- 6 Receptáculo y clavija de conexión rápida, C1 (Señal)

Q043I

Figura 6

**ILUSTRACION GENERALIZADA DE CONEXIONES  
ELECTRICAS DEL SISTEMA DE AHORRO DE AGUA (220V).**  
CONSULTE LAS INSTRUCCIONES Y LA GRAFICA #634148  
PARA MAYORES DETALLES.



- 1 Módulo de control de ahorro de agua montado a distancia
- 2 Parte posterior del módulo de control en la máquina principal
- 3 Receptáculo y clavija de conexión rápida C1 (Señal)
- 4 Cable 133 a la válvula de desagüe del Tanque "A"
- 5 Cable 132 a la válvula de desagüe del Tanque "B"
- 6 Receptáculo y clavija de conexión rápida de las bombas "A" y "B"
- 7 Receptáculo y clavija de conexión rápida C2 (Alimentación)

Q0411

Figura 7

## Instalación

### Agujeros de rebose de los tanques

Algunos agujeros de rebose tienen conexiones externas de PVC de 2 plg. Estas conexiones pueden desaguarse en una batea o desagüe en el piso.



### PRECAUCIÓN

**Daño al tanque. Las conexiones hechas a la salida de desborde deberán apuntar hacia abajo del tanque. El tendido de tubería hacia arriba causará daño a los tanques.**

**IMPORTANTE:** Las conexiones hechas a la salida de desborde deberán proporcionar un soporte adecuado proporcional al peso de la tubería y los conectores.

### Opción de calentamiento por vapor



### ADVERTENCIA

**Superficies calientes. Causará quemaduras severas. Cierre la fuente de vapor y espere a que se enfríen las tuberías de vapor, conexiones y demás componentes antes de tocarlos.**

Si la lavadora extractora está equipada con la opción de calentamiento por vapor, no es necesario usar piezas de conexión de tuberías adicionales.

**IMPORTANTE:** No tienda conectores ni tuberías cerca de los tanques del sistema de ahorro de agua. Envuelva los conectores y las tuberías con aislante de vapor para tuberías.

## Instrucciones para instalación de modelos de lavadora extractora de gabinete autoestable (UFPV) con sistema de ahorro de agua

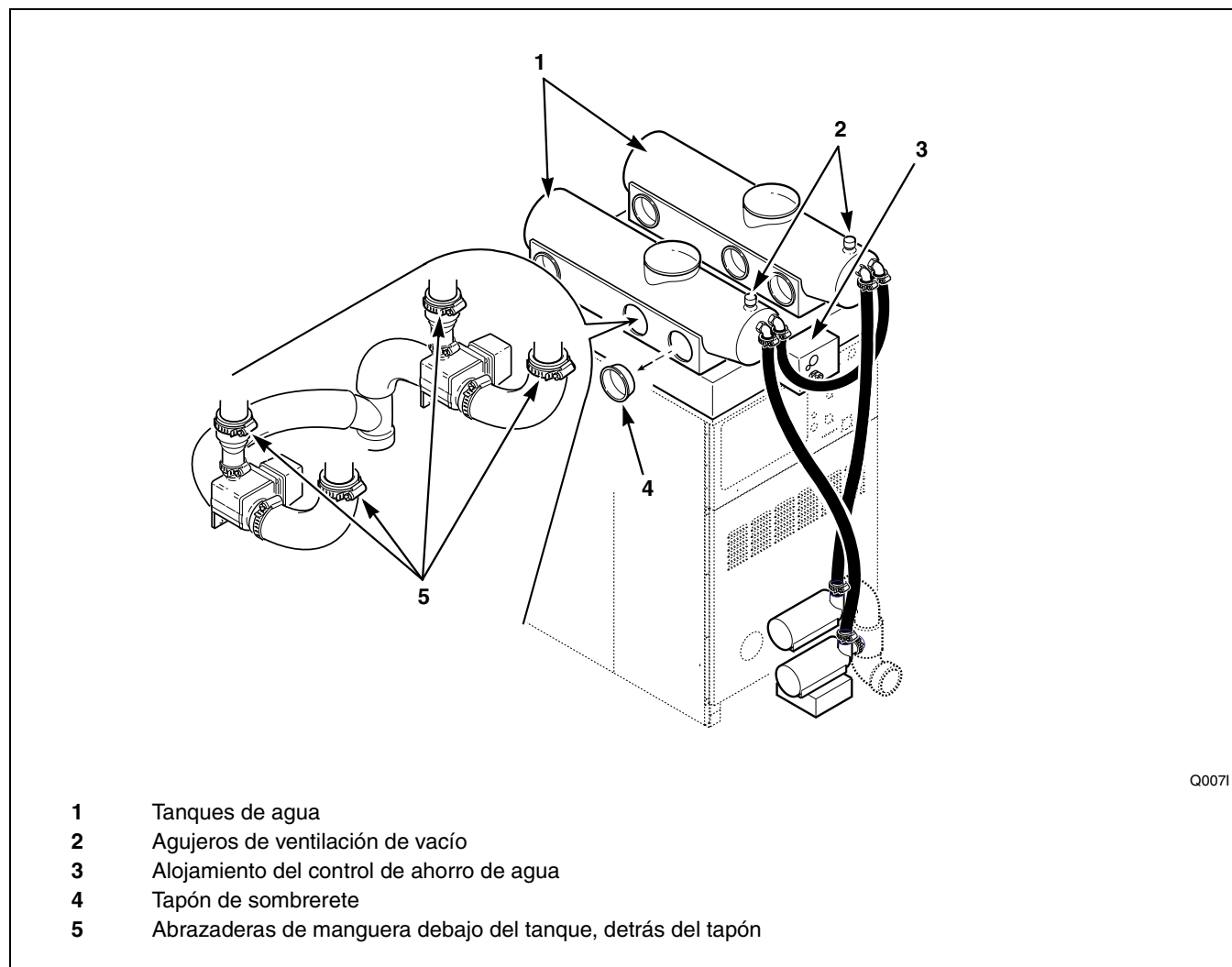
Lea detenidamente las instrucciones siguientes antes de proceder. El instalador deberá estar bien familiarizado con las instrucciones antes de intentar la instalación del WSS.

Consulte las Especificaciones eléctricas para modelos con sistema de ahorro de agua (WSS) para obtener información sobre el voltaje.

Consulte las Especificaciones generales del WSS para determinar si hay una separación adecuada alrededor de la puerta de la máquina. Si no la hay, será necesario desmontar los tanques de agua.

1. Desmontaje de los tanques de agua (si es necesario):

- a. Saque los tres tapones de sombrerete (dos de ellos ubicados cerca de la parte posterior, y el otro ubicado cerca de la parte frontal), por cada lado de los tanques. Consulte la *Figura 8*.
- b. Afloje las dos abrazaderas de manguera acopladas por la parte inferior trasera de cada tanque. Consulte la *Figura 8*.
- c. Afloje las dos abrazaderas de manguera acopladas al codo que está ubicado en la parte posterior de cada tanque, y saque las mangueras negras largas conectadas a los tanques. Consulte la *Figura 9*.
- d. Afloje la abrazadera de manguera acoplada a la manguera negra corta que interconecta los tanques y desconecte solamente de uno de los tanques.




Q0071

Figura 8

## Instalación

- e. Saque los cuatro pernos de cada tanque, localizados detrás del tapón de sombrerete en cada esquina. Consulte la *Figura 9*.
- f. Levante los tanques de la lavadora extractora.

	<b>PRECAUCIÓN</b>
<b>Tenga mucho cuidado al retirar los tanques. Para evitar daños, coloque siempre los tanques sobre una superficie nivelada con acceso para limpieza por encima.</b>	

### 2. Desmontaje del conjunto de bombas:

- a. Saque las abrazaderas de la manguera del distribuidor que conecta el distribuidor de bomba con la válvula de desagüe localizada en la parte posterior de la lavadora extractora, a la derecha del conjunto de bombas. Consulte la *Figura 9*.

- b. Desenrosque del alojamiento de control del sistema de ahorro de agua (localizado en la parte posterior de la lavadora extractora) las dos piezas de desconexión eléctrica rápida de los motores de bomba.

- c. Saque las dos mangueras negras largas conectadas a los tanques de agua. Consulte la *Figura 9*.

- d. Saque el conjunto de bombas y colóquelo a un lado.

3. Ubicación de la lavadora extractora en su posición definitiva y fijación mediante pernos:

Consulte las instrucciones de fijación mediante pernos en la sección Instalación mecánica.

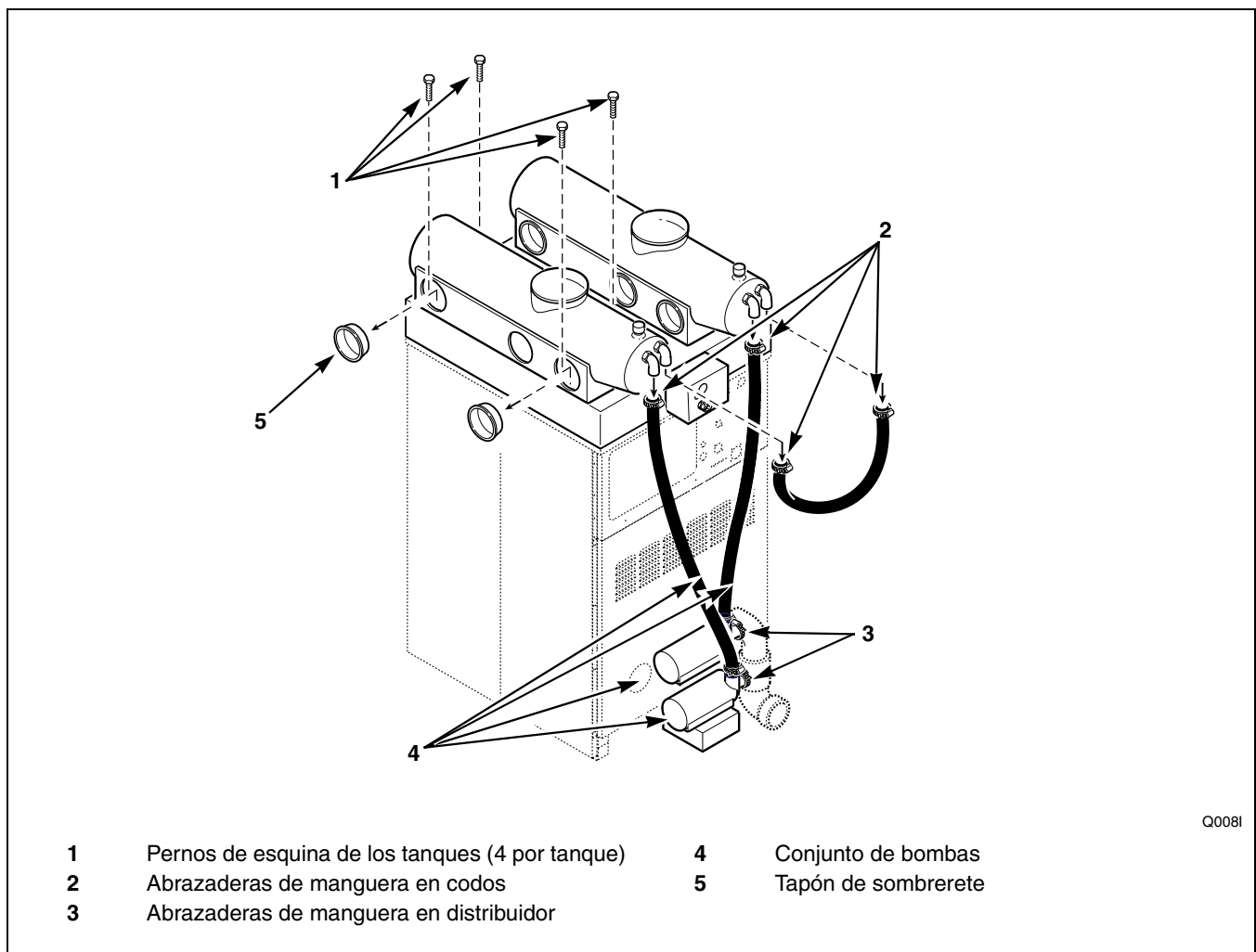


Figura 9

4. Montaje del conjunto de bombas:
  - a. Reinstale el conjunto de bombas en la parte posterior de la lavadora extractora, en posición horizontal sobre el piso.
  - b. Asegure las dos piezas de conexión eléctrica de los motores de bomba al alojamiento del control del sistema de ahorro de agua.
  - c. Coloque la abrazadera de la manguera del distribuidor en la parte posterior de la lavadora extractora.
  - d. Compruebe que la válvula de bola está en la posición cerrada. Antes de hacer funcionar la máquina, la válvula de bola deberá estar cerrada.


**NOTA: La bomba deberá girar en sentido contrario al de las agujas del reloj cuando es vista desde el extremo del ventilador, o en el sentido de las agujas del reloj cuando es vista desde el extremo del cabezal plástico de la bomba. La rotación invertida hará fallar la bomba, lo cual alargaría el tiempo de ciclo. Observe el rótulo con la flecha indicadora del sentido de rotación sobre la bomba y en la Figura 5. Para corregir el sentido de rotación, intercambie dos de los cables de alimentación trifásica en el bloque de terminales de alimentación de entrada, y compruebe cada bomba por separado.**

5. Reinstalación de los tanques de agua:
  - a. Coloque con cuidado los tanques encima de la lavadora extractora.
  - b. Coloque los cuatro pernos detrás de los tapones de sombreretes ubicados en cada una de las esquinas de los tanques.
  - c. Coloque la manguera negra corta en el codo ubicado por la parte trasera del tanque grande. Consulte la Figura 9. Apriete la abrazadera de la manguera.

- d. Coloque las mangueras negras largas en los codos correspondientes, ubicados por la parte trasera de cada tanque: el tanque de la derecha con la bomba superior, y el tanque de la izquierda con la bomba inferior. Apriete las abrazaderas de las mangueras.
  - e. Apriete las tres abrazaderas debajo de cada tanque.
  - f. Coloque los tres tapones de sombrerete por cada lado de los tanques.
6. Instalación de las bocas de ventilación de tanques:
    - a. Saque las bocas de ventilación del paquete.
    - b. Coloque cinta de teflón a las roscas de las aberturas de ventilación y enrosque encima de cada tanque; apriete con la mano solamente.

### Agujeros de rebose de los tanques

Algunos agujeros de rebose tienen conexiones externas de PVC de 2 plg. Estas conexiones pueden desaguarse en una batea o desagüe en el piso.

	<b>PRECAUCIÓN</b>
<b>Daño al tanque. Las conexiones hechas a la salida de desborde deberán apuntar hacia abajo del tanque. El tendido de tubería hacia arriba causará daño a los tanques.</b>	

**IMPORTANTE:** Las conexiones hechas a la salida de desborde deberán proporcionar un soporte adecuado proporcional al peso de la tubería y los conectores.





# Mantenimiento

## Diariamente

### Al comienzo del día

Inspeccione que no haya fugas en los tanques del sistema de ahorro de agua ni en ninguna de las conexiones asociadas con los mismos.

### Al final del día

Active el ciclo de desagüe de los tanques.

## Semanalmente

Limpie los tanques; para ello, saque los tapones ubicados encima de los tanques y aplique abundante agua con una manguera. Desinfecte si es necesario.

## Mensualmente

Enjuague con abundante agua la válvula de bola de desagüe; para ello, ábrala completamente a fin de purgar todas las pelusas y partículas que haya en el distribuidor de bombas.

Compruebe que las tuercas de la sección superior de la estructura de los tanques estén apretadas al par de apriete especificado (220 lb-plg).



# Puesta fuera de servicio

## Puesta fuera de servicio

Asegúrese de que se ha vaciado toda el agua de los tanques.



# Operación

## Pantalla de LED

En la siguiente tabla se presentan las diferentes pantallas correspondientes al sistema de ahorro de agua (WSS) y lo que éstas significan.

Estas pantallas son iguales para ambos modelos, y aparecen en los dos dígitos izquierdos de la pantalla. Es conveniente que el operador se familiarice con estas pantallas.

## Función de control del modo manual

No resulta posible el regular con la mano las funciones del WSS (sistema de ahorro de agua).

Interpretación de la pantalla	
<b>aL</b>	Llenar la máquina con agua del tanque A a nivel bajo
<b>aM</b>	Llenar la máquina con agua del tanque A a nivel intermedio
<b>aH</b>	Llenar la máquina con agua del tanque A a nivel alto
<b>bL</b>	Llenar la máquina con agua del tanque B a nivel bajo
<b>bM</b>	Llenar la máquina con agua del tanque B a nivel intermedio
<b>bH</b>	Llenar la máquina con agua del tanque B a nivel alto
<b>Da</b>	Desaguar la máquina hacia el tanque A
<b>Db</b>	Desaguar la máquina hacia el tanque B
<b>NOTA: El tanque izquierdo (visto desde la parte delantera de la máquina) se designa tanque A, mientras que el tanque derecho es el tanque B.</b>	

Tabla 3

**NOTA: A fin de impedir que en los tanques de ahorro de agua entre agua temperaturas más elevadas de 71C (160F), sonará una alarma y en la pantalla aparecerá “DRTEMP”. Si no se pulsa la tecla de detención (STOP) en el transcurso de dos minutos, la máquina se detendrá automáticamente.**



# Programación

**NOTA:** La siguiente información de programación se aplica a los modelos de gabinete autoestable y a los modelos cilíndricos de montaje permanente de lavadoras extractoras con sistema de ahorro de agua (WSS). Emplee esta información junto con la incluida en los respectivos manuales de operación/programación.

Cuando programe pasos en los que intervenga el WSS, el ordenador deberá estar en el modo de programa (PROGRAM) y listo para el paso siguiente. Aparecerá en pantalla “nncc”, donde “nn” representa el número del paso y “cc” representa el número del ciclo.

## Programación de un llenado de recuperación desde el(los) tanque(s) del sistema de ahorro de agua

1. Oprima la tecla **Auxiliary** (auxiliar). Aparecerá en pantalla “A-nncc”.
2. Oprima la tecla **6** para seleccionar un llenado con agua del tanque A. Aparecerá en pantalla “a-nncc”. Oprima la tecla **7** para seleccionar un llenado con agua del tanque B. Aparecerá en pantalla “b-nncc”.
3. Oprima la tecla **Low** (bajo), **Medium** (intermedio) o **High** (alto) para seleccionar el nivel de agua. Aparecerá en el segundo dígito de la pantalla “L”, “M” o “H”, respectivamente. Por ejemplo: si se selecciona un nivel bajo con agua del tanque A, aparecerá en pantalla “aLncc”.
4. Oprima la tecla **Enter** (introducir). Aparecerá en pantalla “M---S”.
5. Introduzca el máximo tiempo de llenado. Para programar 5 minutos, oprima la tecla **5**. Aparecerá en pantalla “5M-00S”.
6. Una vez introducido el tiempo deseado, oprima la tecla **Enter** (introducir) para ir al paso siguiente del ciclo o para salir del modo de programa (PROGRAM).

## Programación de un paso de desagüe del sistema de ahorro de agua

1. Oprima la tecla **Drain** (desagüe). Aparecerá en pantalla “D-nncc”.
2. Oprima la tecla **2** para vaciar hacia el tanque A, o la tecla **3** para vaciar hacia el tanque B.
3. Oprima la tecla **Enter** (introducir). Aparecerá en pantalla “M---S”.
4. Introduzca el tiempo deseado para el paso de desagüe. Por ejemplo: para introducir un tiempo de 5 minutos, oprima la tecla **5**. Aparecerá en pantalla “5M-00S”.

**NOTA:** Si la máquina no se vacía en este intervalo de tiempo, aparecerá en pantalla “EMPTY”.

5. Oprima la tecla **Enter** (introducir) y vaya al paso siguiente del ciclo. De lo contrario, saldrá del modo de programa (PROGRAM).

**NOTA:** Al programar un paso de desagüe, hay que especificar el tipo de desagüe que se desea, ya que las funciones de ahorro de agua están disponibles en todo momento.

**NOTA:** El ordenador WE-6 no permitirá el desagüe hacia un tanque si la temperatura del agua excede los 71°C (160°F). En ese caso, aparecerá en pantalla “DRTEMP”, el WE-6 desactivará todas las salidas (excepto los desagües aplicables) y se escuchará un sonido de aviso. Este estado se prolongará por hasta dos minutos. Si el operador no responde durante el transcurso de dos minutos, el WE-6 abortará el ciclo. El operador puede oprimir la tecla de arranque (START) para volver a comenzar el paso de desagüe, u oprimir la tecla de parada (STOP) para finalizar el ciclo.

## Ciclos preprogramados

Para obtener más información sobre los ciclos preprogramados, consulte la sección Programación de los manuales de Operación/programación (Pieza No. F232059 para los modelos UF, y Pieza No. F232089 para los modelos UW).





## Free Manuals Download Website

<http://myh66.com>

<http://usermanuals.us>

<http://www.somanuals.com>

<http://www.4manuals.cc>

<http://www.manual-lib.com>

<http://www.404manual.com>

<http://www.luxmanual.com>

<http://aubethermostatmanual.com>

Golf course search by state

<http://golfingnear.com>

Email search by domain

<http://emailbydomain.com>

Auto manuals search

<http://auto.somanuals.com>

TV manuals search

<http://tv.somanuals.com>