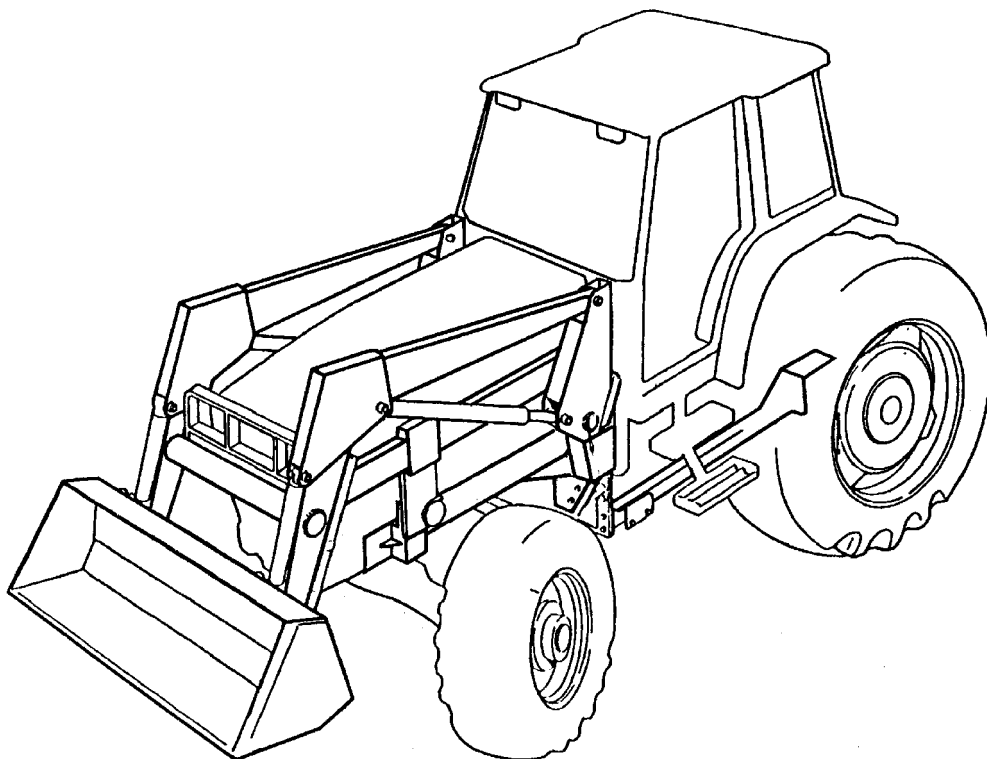


ALLIED

395 LOADER



MODELS 395, S395
(Regular Model shown)

Assembly, Operator's and Parts Manual

Part No. P3713

06/96

WARRANTY REGISTRATION AND POLICY

Buhler Manufacturing products are warranted for a period of twelve (12) months from original date of purchase, by original purchaser, to be free from defects in material and workmanship under correct, normal agricultural use and proper applications.

Buhler Manufacturing's obligations under this warranty shall be limited to the repair or exchange, at Buhler Manufacturing's option, of any Buhler Manufacturing product or part which proves to be defective as provided. Buhler Manufacturing reserves the right to either inspect the product at the buyer's location or have it returned to the factory for inspection.

The above warranty does not extend to goods damaged or subject to accident, abuse or misuse after shipment from Buhler Manufacturing's factory, nor to goods altered or repaired by anyone other than an authorized Buhler Manufacturing representative.

Buhler Manufacturing makes no Express Warranties other than those which are specifically described. Any description of goods, including any references and specifications in catalogues, circulars and other written material published is for the sole purpose of identifying goods and shall conform to such descriptions. Any sample or model is for illustrative purposes only and does not create an Express Warranty that the goods conform to sample or model shown.

The purchaser is solely responsible for determining suitability of goods sold. This warranty is expressly in lieu of all other warranties expressed or implied. Buhler Manufacturing will in no event be liable for any incidental or consequential damages whatsoever, nor for any sum in excess of the price received for the goods for which liability is claimed.

WARRANTY CLAIMS:

Warranty requests must be prepared on Buhler Manufacturing Warranty Claim Forms with all requested information properly completed. Warranty Claims must be submitted within a thirty (30) day period from date of failure repair.

WARRANTY LABOR:

Any labor subject to warranty **must** be authorized by Buhler Manufacturing. The labor rate for replacing defective parts, where applicable, will be credited at a rate determined by the Company, Buhler Manufacturing.

IMPORTANT FACTS:

Buckets and Bucket Tines Carry No Warranty
Bent Spears Carry No Warranty
Snowblower Fan Shafts Carry No Warranty
Mower Blades Carry No Warranty
Portable Auger Parts Have Two (2) Year Warranty
Loader Parts Have Two (2) Year Warranty

PRINTED IN CANADA

395 & S395 Hydraulic Farm Loader

Operator's Manual Table of Contents

Section	Description	Page
	Warranty Registration and Policy.....	
	Table of Contents.....	
Introduction and Identification	Loader Specification Chart.....	2
	Torque Chart.....	2
	Pre-delivery Check List.....	3
	Loader Identification Diagram.....	3
	Hydraulic Hose Kit Identification Diagrams.....	4
Safety and Pre-use Information	Important Precautions.....	5
	Safety.....	6
	Safety Decals.....	7
	Lubrication and Decal Location Diagram.....	8
Operating Information	General Instructions and Information.....	9
	Operating Suggestions for Loading.....	10
	Operating Suggestions for Backfilling.....	11
	Attaching the Loader to Your Tractor.....	12
	Removing the Loader from Your Tractor.....	14
	Operation and Maintenance.....	16
	Trouble Shooting.....	17
Assembly and Parts Information	Subframe Diagram.....	18
	Mainframe Diagram.....	20
	Hydraulic Plumbing Diagram.....	22
	Hydraulic Cylinder Assembly.....	24



IMPORTANT

PLEASE READ AND UNDERSTAND THIS MANUAL BEFORE OPERATING LOADER.

Loader Specifications

(PER ASAE S301.2)

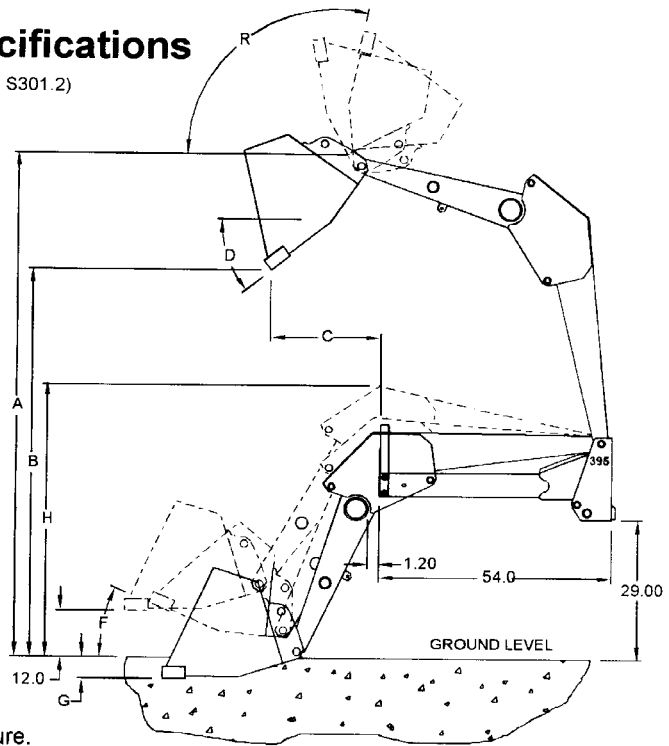
Model number: 395 REGULAR

Mounting height: 29.0" nominal
(Typical range: 27.0" - 31.0")

Cylinder specifications:

Cylinder	Bore	Rod	Stroke
Bucket	2.00"	1.25"	20.75"
Lifting	2.00"	1.50"	20.75"

- A) Maximum lift height: 120.3" (10.0')
 - B) Clearance with bucket dumped: 94.4" (7.9')
 - C) Reach at maximum height: 23.0"
 - D) Maximum dump angle: 30.0 deg.
 - F) Bucket rollback angle: 30.0 deg.
 - G) Digging depth: 3.4"
 - H) Overall height in carry position: 62.1" (5.2')
 - R) Rollback angle at full height: 106.5 deg.
- Calculated breakout force: 1560 lbs
Calculated lift capacity: 1255 lbs



Notes:

- 1) Calculated values assume 2500 psi lift cylinder pressure.
- 2) Breakout force estimated as per ASAE S301.2 4.12 (Net payload applied at cutting edge).
- 3) Lift capacity estimated as per ASAE S301.2 4.11 (Net payload applied at bucket midpoint).
- 4) Average bucket weight (72"): 450 lbs.
- 5) "Short" models breakout approx. 10% more than corresponding reg. models.

Torque Specifications

Recommended Torque in Foot Pounds (ft-lbs) & Newton Meters (NM)*

		Standard					
Bolt Diameter (inches)	Wrench Size (inches)	Bolt Head					
		Hexagon		Hexagon		Hexagon	
		Grade 2 (ft-lbs) (NM)		Grade 5 (ft-lbs) (NM)		Grade 8 (ft-lbs) (NM)	
0.250 1/4	7/16	6	7	8	11	12	16
0.313 5/16	1/2	11	15	17	23	25	33
0.375 3/8	9/16	20	27	31	42	44	60
0.438 7/16	5/8	32	43	49	66	70	95
0.500 1/2	3/4	49	66	76	103	106	144
0.563 9/16	7/8	70	95	109	148	153	207
0.625 5/8	15/16	97	131	150	203	212	287
0.750 3/4	1 1/8	144	195	266	360	376	509
0.875 7/8	1 5/16	166	225	430	583	606	821
1.000 1	1 1/2	250	339	644	873	909	1232
1.125 1 1/8	1 11/16	354	480	795	1077	1288	1745
1.250 1 1/4	1 7/8	500	678	1120	1518	1817	2462
1.375 1 3/8	2 1/16	655	887	1470	1992	2382	3228
1.500 1 1/2	2 1/4	870	1179	1950	2642	3161	4283

		Metric					
Bolt Dia. (mm)	Wrench Size (mm)	Bolt Head					
		Hexagon		Hexagon		Hexagon	
		Class 4.6 (ft-lbs) (NM)		Class 8.8 (ft-lbs) (NM)		Class 9.8 (ft-lbs) (NM)	
8	13	7.3	10			21.1	29
10	16	14.5	20			42	57
12	18	25	34	74	100	73	99
14	21	40	54	118	160	116	157
16	24	62	84	167	226	181	245
20	30	122	165	325	440		
22	33			443	600		
24	36	211	286	563	763		
27	41			821	1112		
30	46	418	566	1119	1516		

*Use 80% of the specified torque value for plated or lubricated fasteners.

Dealer Pre-delivery Check List

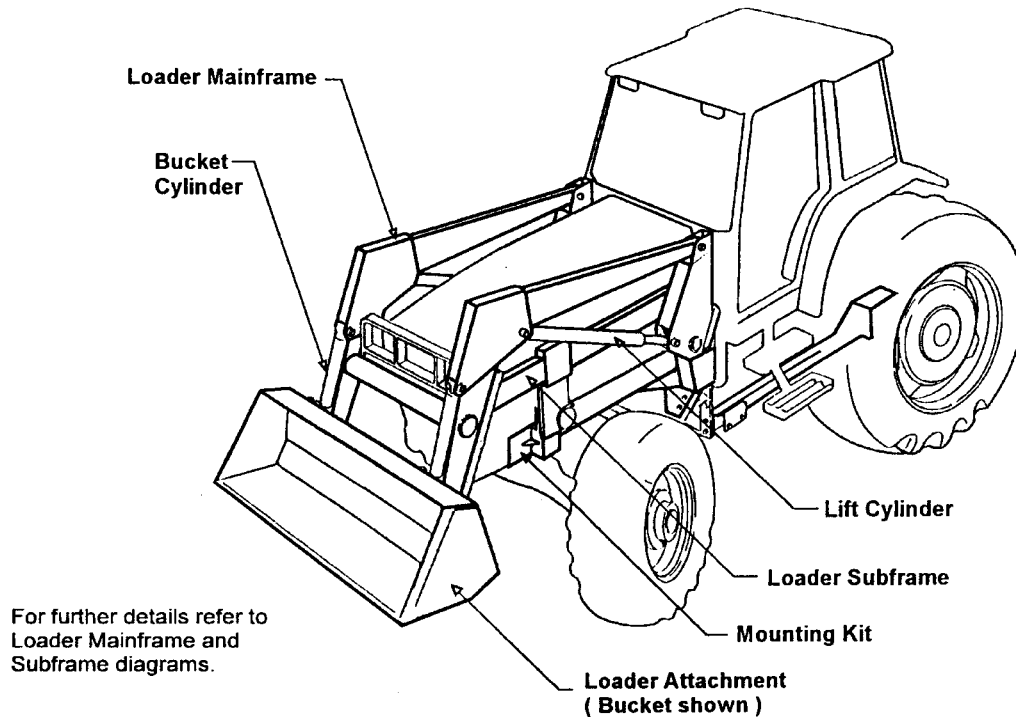
Before delivering this equipment please complete the following check list.

- 1. The loader has been installed using the appropriate mounting kit for the tractor and loader.
- 2. The hydraulic system installed is appropriate for the tractor and loader.
- 3. The loader is properly installed.
- 4. All bolts are tightened to the torque specifications shown in the torque chart.
- 5. All safety decals are readable.
- 6. The loader has been tested and operates properly.
- 7. The operator's manual has been delivered to the owner who has been instructed on the safe and proper use of the loader.

Dealer's Signature _____

This Check List is to remain in this Owner's Manual and is the responsibility of the Dealer to complete before delivery to the customer.

Loader Identification Diagram

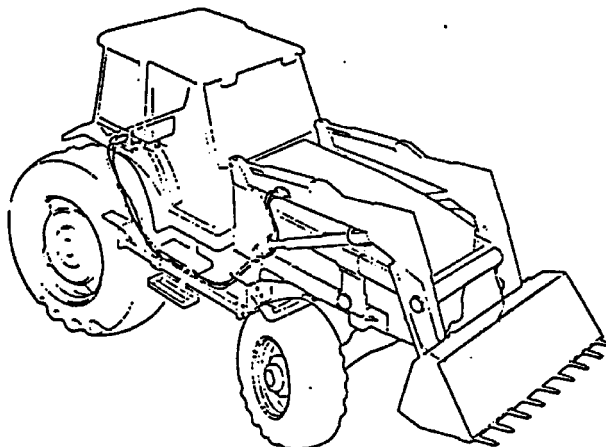


Hydraulic (Hose Kit) Identification Diagrams

HOSE KIT "A"

Loader powered by the tractor remotes.

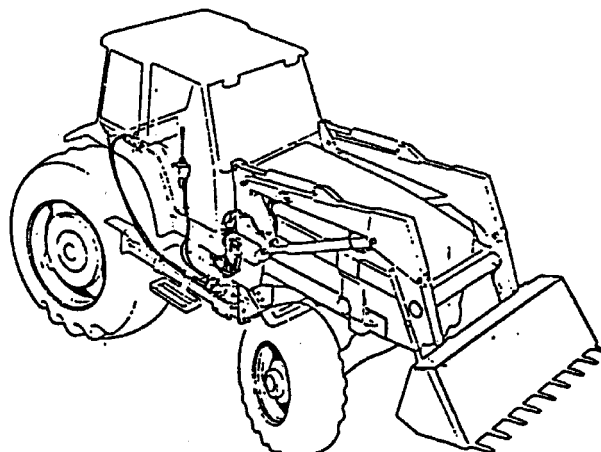
Consists of 4 hoses leading from loader tubing to tractor remote couplers.



HOSE KIT "B"

Loader operated by an external OC or CC valve that is powered from the tractor remotes.

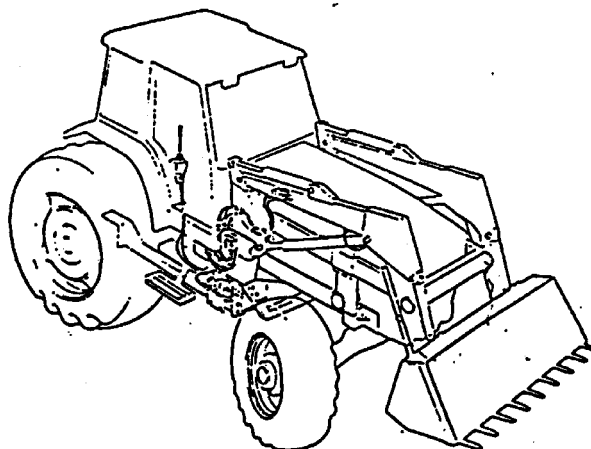
Consists of 4 hoses leading from loader tubing to external mounted valve and 2 hoses from valve to tractor couplers. Use the valve type shown with hose Kit "B".



HOSE KIT "C"

Loader operated by an external valve that is plumbed into the tractor hydraulic system.

Consists of 4 hoses leading from loader tubing to external mounted valve plus the necessary fittings, hoses and adapter blocks (if necessary) to tap into tractor hydraulic system. Use valve type shown with hose Kit "C".



(HSL Model shown)



IMPORTANT PRECAUTIONS



DANGER



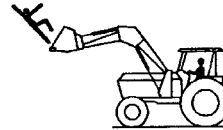
ELECTROCUTION HAZARD

To prevent serious injury or death:

- Stay away from power lines and cables. Electrocution can occur with or without direct contact.



WARNING



FALLING HAZARD

To prevent serious injury or death:

- Do not lift, carry or allow anyone to ride on or work from any portion of loader.



WARNING



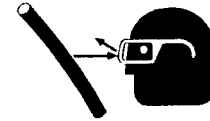
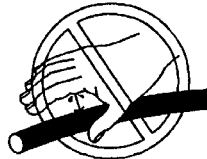
CRUSHING HAZARD

To prevent serious injury or death:

- Do not handle round bales or other shiftable objects unless loader is equipped with an attachment designed for this purpose.
- Do not handle loose loads that are not secured.
- Do not lift load higher than necessary.



WARNING



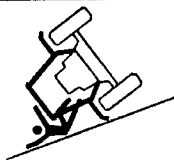
HIGH-PRESSURE FLUID

To prevent serious injury or death:

- Relieve pressure on system before repairing or adjusting or disconnecting.
- Wear proper hand and eye protection when searching for leaks. Use wood or cardboard instead of hands.
- Keep all components in good repair.
- If hydraulic fluid penetrates skin, obtain medical treatment IMMEDIATELY.



WARNING



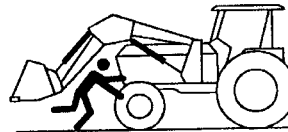
ROLL-OVER HAZARD

To prevent serious injury or death:

- Move and turn tractor at low speed.
- Carry load no higher than necessary to clear the ground when transporting.
- Add wheel ballast or rear weight for stability.
- Move wheels to widest possible settings to increase stability.
- It is recommended the tractor be equipped with a rollover protective structure (ROPS).



WARNING



CRUSHING HAZARD

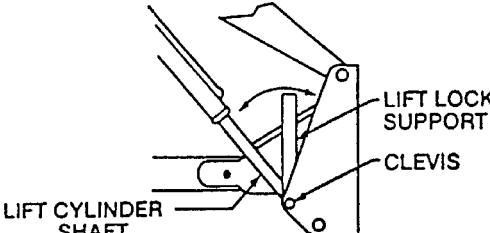
To prevent serious injury or death:

- Do not allow bystanders in loader work area.
- Lower loader to the ground before leaving seat.
- Do not walk or work under raised loader. For servicing, refer to operator's manual.
- Read and understand operator's manual before operating loader.

Safety

BLOCKING RAISED LOADER

- Never work beneath raised loader unless it is securely supported. Follow the instructions for the Lift Lock Supports on the decal mounted on the loader.



LIFT LOCK INSTRUCTIONS

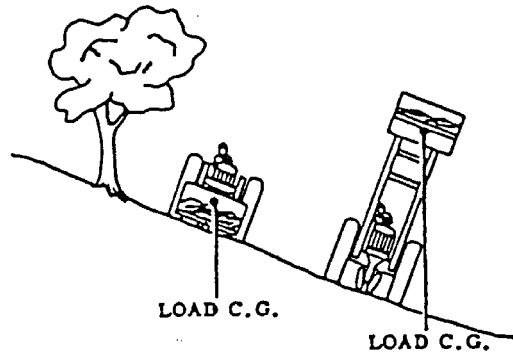
TO ENGAGE SUPPORTS:	TO DISENGAGE SUPPORTS:
1. RAISE LOADER PAST LEVEL POSITION.	1. RAISE LOADER OFF LIFT LOCK SUPPORTS.
2. SECURE SUPPORTS INTO POSITION ON THE CLEVIS AND CYLINDER SHAFT.	2. SWING LOCK SUPPORTS UP INTO STORAGE POSITION.
3. SLOWLY LOWER FULL WEIGHT OF LOADER ONTO SUPPORTS.	

IMPORTANT:

- THE BUCKET MUST BE EMPTY.
- ALWAYS USE BOTH SUPPORTS.
- DO NOT USE WHEN TRACTOR IS MOVING.
- DO NOT STORE LIFT LOCK SUPPORTS OTHER THAN WHERE INDICATED.
- REPLACE IMMEDIATELY IF DAMAGED.

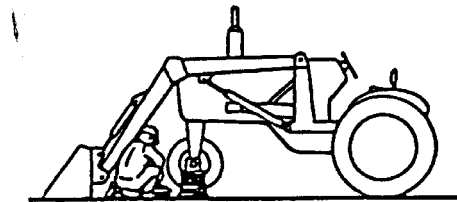
112982

- Do not pivot or turn tractor at high speeds with bucket raised. Always make allowance for length of loader when making turns.
- Never leave tractor unattended while the bucket is raised. Always lower bucket to the ground and shut off before leaving tractor seat.
- Do not walk under raised bucket.
- Always operate loader while seated in tractor seat.
- Keep tractor on solid ground. Loose fill, rocks and holes can be dangerous for loader operation or movement.
- Never operate a loader with frayed or damaged hoses or leaking fittings.
- For stability, rear wheels of tractor should be set at maximum width spacing and ballasts added to rear wheels.



- Do not raise bucket to extreme heights while tractor is on an incline. Carry loader low for safety. Note in above illustration how the center of gravity moves out when bucket is raised on a slope. Be alert for terrain changes and adjust bucket accordingly. Keep bucket low, no more than one foot high, as long as possible.

Note: A pivoting front axle acts like a three-wheeled tractor until the stops hit the axle.



- If lift cylinders are used to raise front wheels of tractor for service, place blocks under tractor, kill engine, set park brake and remove key.

THIS SAFETY ALERT SYMBOL MEANS:

ATTENTION!

BECOME ALERT!

YOUR SAFETY IS INVOLVED!



Safety Decals

These decals are located as shown on the Decal Location diagram and the Sub-Frame Assembly diagram.

! **WARNING**



OVERHEAD HAZARD
STAY AWAY FROM UNDER LIFT
ARMS AND BUCKET

To prevent serious injury or death:

1. Do not stand or work under a raised loader, unless supported.
2. Support bucket and lift arms before working under loader.
3. Lower loader to the ground before leaving seat.

J 112943

! **CAUTION**

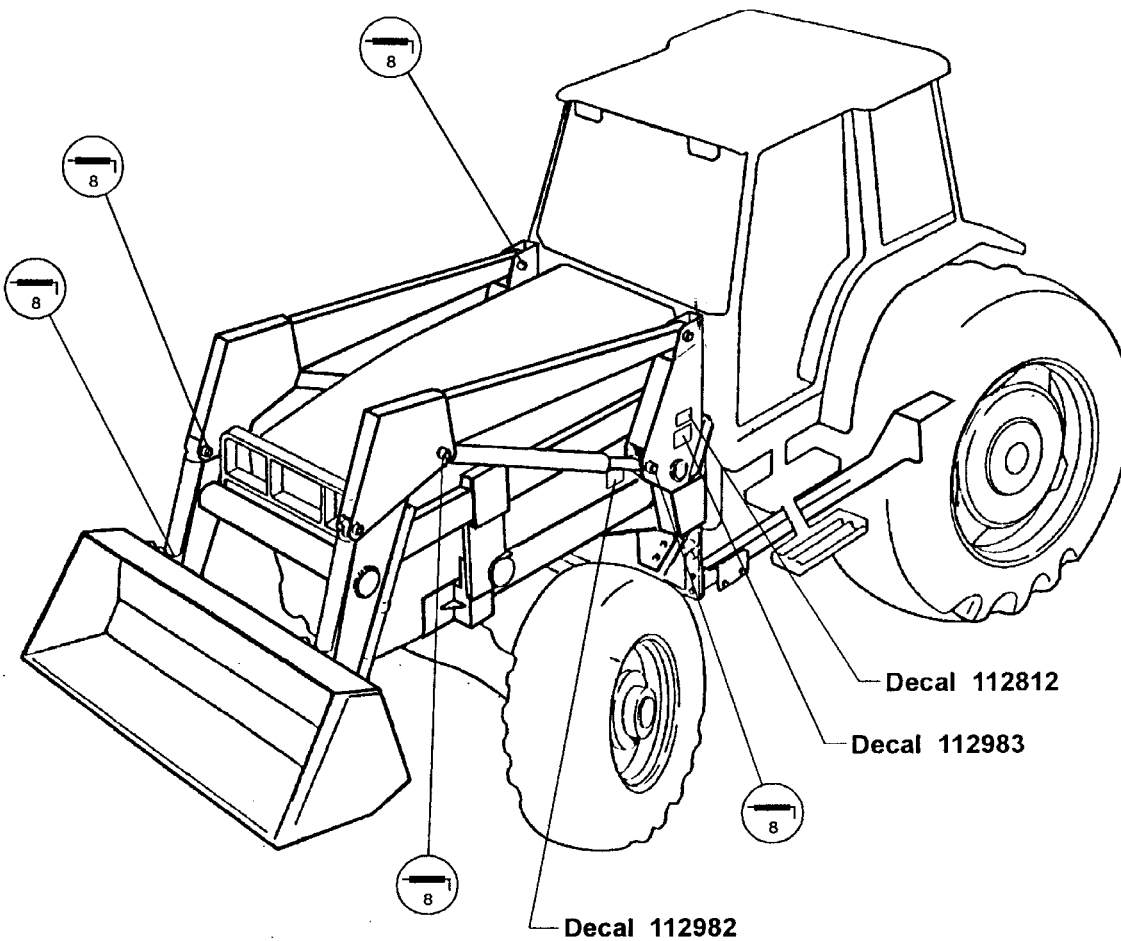
1. Read Operator's Manual before operating.
2. Move and turn tractor at low speed.
3. Carry loader arms at a low position during transport.
4. Lower loader arms, stop engine and lock brakes before leaving operator seat.
5. Do not stand or work under raised loader, unless properly supported.
6. Add recommended wheel ballast or rear weight for stability.
7. Move wheels to widest recommended settings to increase stability.
8. Do not handle large round bales or other shiftable objects unless loader is equipped with a grapple fork.
9. Do not use loader to move or carry people.
10. Stay away from power lines. Electrocution can occur without direct contact.
11. Review safety instructions annually.


J 112812

Lubrication and Decal Location Diagram

Lubricate tractor hydraulic unit as indicated in tractor Operator's Manual. Keep the bushings on lift arm pivots and cylinders well lubricated. Use high grade lithium grease every 8 hours of operation.

NOTE: Frequent greasing will prevent contaminants from migrating between the pins and bushings.



 Symbol indicating grease after every 8 hours of operation.

General Instructions and Information

As with any piece of equipment, the care with which your loader is operated and maintained will greatly affect its life and the safety of the people using it.

1. Keep all pivots well lubricated for longer bushing life. Inspect every 500 hours of operation for wear.
2. Periodically check all bolts for tightness. If any bolt is damaged, replace it with a bolt of equivalent grade or strength.
3. Follow the recommendations of the tractor manufacturer in regards to the quantity of oil used.
4. Check oil level frequently to ensure the system is full.
5. When making an oil check, be sure lift cylinders are retracted.
6. Before operating the loader, particularly if the loader is left standing for any length of time, check the hydraulic system and oil level.
7. When installing hydraulics, follow the circuit carefully. See hydraulic hook-up section and make sure the hoses do not contact any hot manifolds or sharp edges on tractor. After assembly, raise the loader slowly and check to make sure that the hoses do not bind in all positions.



CAUTION

The pressure of the relief and open centre valves is set at the factory. Do not tamper with the setting. Serious injury to the operator or damage to the loader or tractor hydraulics may occur. Warranty will be void if the loader is operated above recommended pressure.

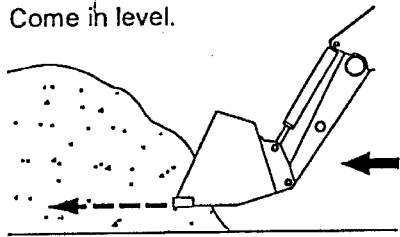
8. When servicing any hydraulic components, care must be taken to prevent any foreign matter from entering the system.
9. Do not neglect oil leaks. Leaks affect loader operation, are dangerous and can result in personal injury or damage to the hydraulic system.
10. Never leave the cylinder shafts exposed when loader is not in use.
11. Worn or damaged components should be replaced as soon as possible with only the manufacturer's recommended component or equivalent.

Operating Suggestions For Loading

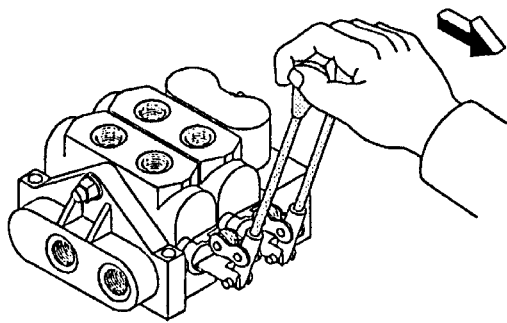
When handling heavy loads, be sure to lower lift arms slowly. This is known as feathering the hydraulic lever. If load is lowered too fast and stopped suddenly, excessive shock loads are created which can damage loader or tractor.

When loading bucket, drive straight into material. Attempting to turn tractor while loading bucket can cause damage to both the loader and tractor.

Come in level.



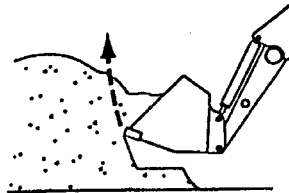
NOTE: Bottom surface of bucket is parallel to line on motion.



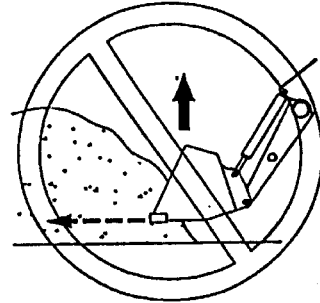
Work both levers back to direct pressure to both cylinders.

Combined action of lift and bucket cylinders increases loading efficiency.

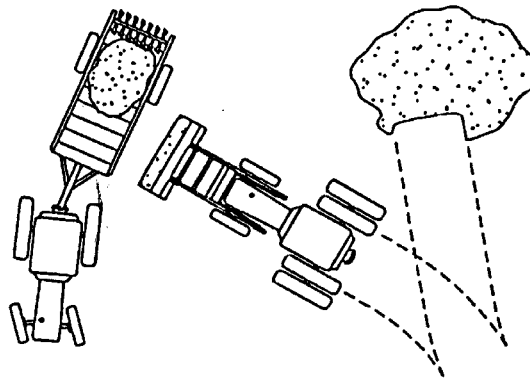
DO THIS!



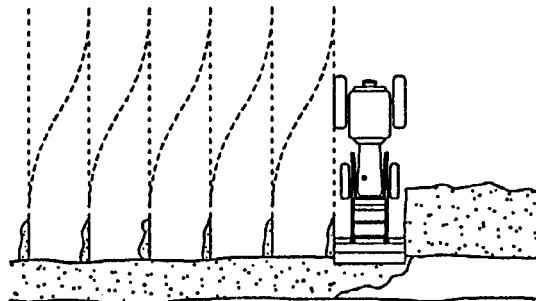
NOT THIS!



A straight bottom offers more resistance to lift.



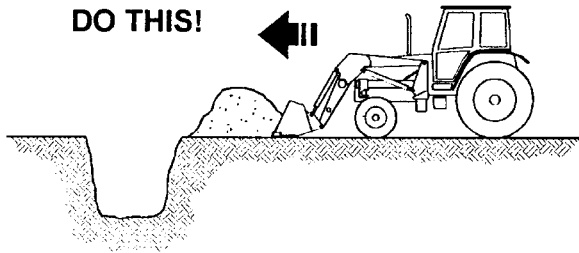
To increase loading efficiency, minimize angle of turn and length to run between pile and spreader.



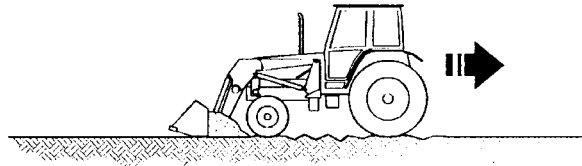
Leave material which drifts over side of bucket for final clean-up.

Operating Suggestions For Backfilling

DO THIS!



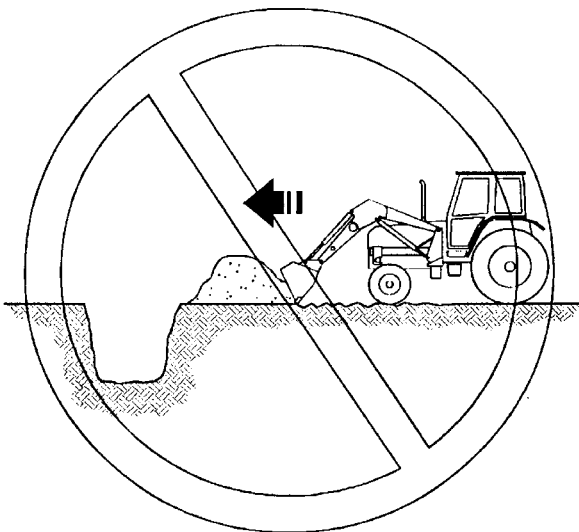
When backfilling, approach pile with a flat bucket. Leave dirt in bucket. Dumping on each pass wastes time.



Backgrade work surface with a loaded bucket. Release all pressure on lift cylinders so full weight of bucket is scraping ground. Use heel of bucket.

DO NOT use bucket in dump position for backgrade work. This could cause bucket cylinder shaft failure.

NOT THIS!



DO NOT use bucket in dumped position for bulldozing. This will only impose severe shock loading on the bucket cylinders and make it more difficult to maintain a level grade.

WARNING!

**DO NOT USE LOADER
AS BATTERING RAM!**



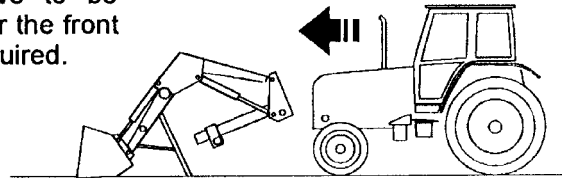
SAFETY: FIRST, LAST, ALWAYS!

Attaching the Loader to Your Tractor

1. Position the tractor as centrally as possible and drive, using lowest gear possible, into the loader frame until hoses can be connected.
2. Couple up the hydraulic hose lines to the loader or tractor valve ensuring proper function (see Operator and Maintenance Section).

NOTE: When mounting the loader for the first time, slowly work the cylinders back and forth, so that most of the air is removed. Loosen the bolts on the hooks so that they can be moved. Also, check that the nuts in the rear of the subframes are in line with the holes.

3. On some tractors, the lift cylinders may have to be extended slightly, so that the subframes can clear the front axle. Do not extend the cylinders more than is required.

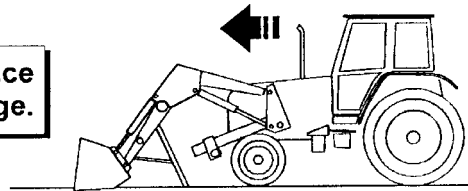


IMPORTANT! On HSL loaders, the bucket will dump at the same time the loader is lowered. Therefore, operate both hydraulic levers together.

4. Drive the tractor ahead until the subframe is past the front axle and the front hook is close to mounting boss.



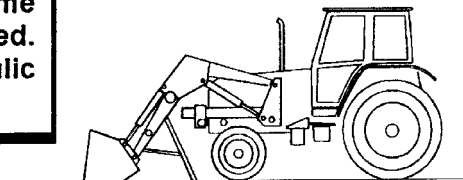
WARNING! Check front grill clearance during installation to avoid tractor damage.



5. Retract or extend the lift cylinders to line up the front hook with the mounting boss.

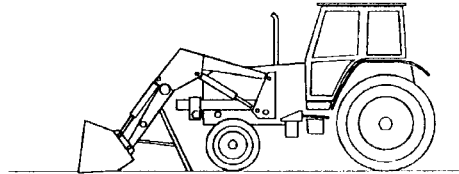


IMPORTANT! On HSL loaders, the bucket will roll back at the same time the loader is lowered. Therefore, operate both hydraulic levers together.

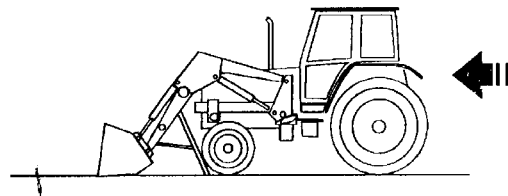


Attaching the Loader to Your Tractor (Continued)

6. When the hook is lined up, dump or roll back the bucket to lower or raise the subframe upright to align with the mounting boot.

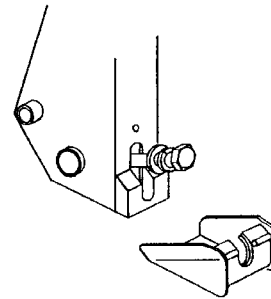


7. Continue to drive the tractor forward until the subframe uprights are seated in the boot.



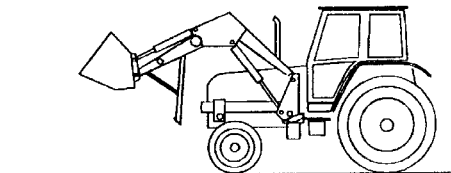
8. Secure the subframe uprights with the bolts and washers. Torque to 500 ft-lbs.

IMPORTANT: When mounting for the first time, the front hook bolts will have to be tightened after positioning the hook directly over the mounting boss (most rearward position).



9. Raise the loader and lock the support stand tubes into the up position.

NOTE: When mounting for the first time, raise the loader slowly and check to make sure that the hoses do not bind or become pinched in all positions. Work the loader and bucket up and down to work out all the air in the hydraulics. Check and refill the tractor's hydraulic system.



Removing the Loader from Your Tractor

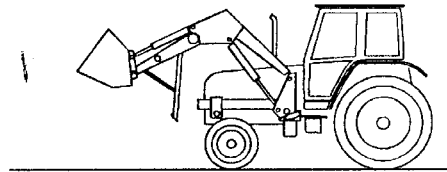


WARNING ! When removing the loader, it must be fitted with a bucket or other suitable attachment to give the frame stability after removal. If this is not done, the frame will not remain standing.

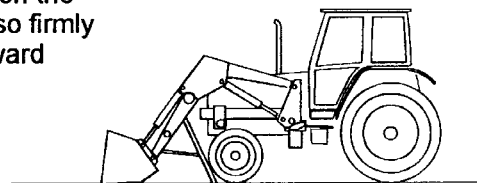


IMPORTANT ! Always remove the loader on firm, level ground (away from children's play areas and high traffic areas). This makes attaching and removing much faster and easier. It also makes the free standing loader more stable.

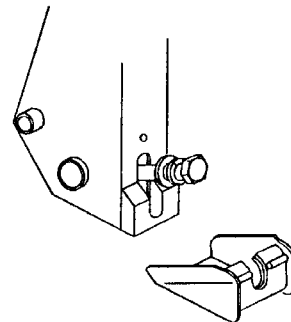
1. Raise the loader, lower support stand tubes and lock into position.



2. Lower the loader until the stand tubes are firmly on the ground and then dump the bucket so that it is also firmly on the ground. There should be a slightly downward pressure.

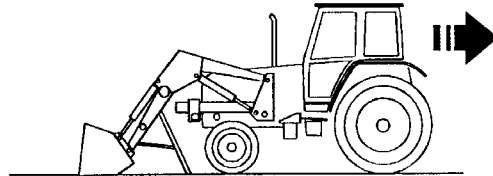


3. Loosen the bolts from the rear of the subframe boots and swing bolt up into lock position.



Removing the Loader from Your Tractor (Continued)

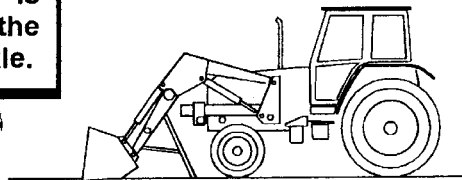
4. Roll back the bucket slightly and simultaneously extend or retract the lift cylinders to free hooks from spools. Then slowly back up the tractor.



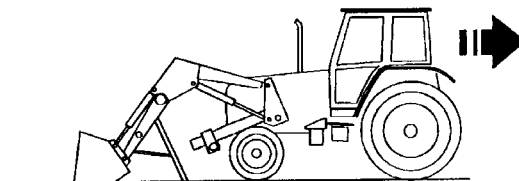
5. Once the subframe is clear of the boot and the hook is clear of the mounting boss, roll back the bucket all the way. This raises the rear uprights of the loader.



NOTE: On some mountings, the lift cylinders must be extended more while the tractor is backing up, so that the subframes clear the front axle.

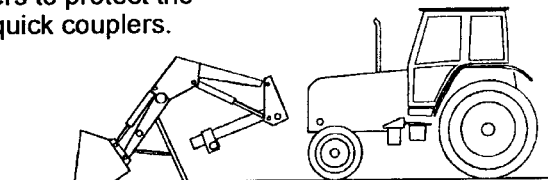


6. Continue backing up until the loader is clear.



CAUTION! Be sure the hoses **DO NOT** get pinched or catch on any frame members while backing up.

7. After the loader is clear, retract the lift cylinders to protect the shafts and disconnect the hydraulic lines at quick couplers.



Operation and Maintenance

GENERAL

Refer to tractor Operator's Manual for operating information on the tractor's hydraulic system.

Hydraulic systems using auxiliary valves should have them located for easy reach from the tractor seat. Hoses should be connected in such a manner that pushing forward on valve handles lowers the boom or dumps the bucket.

CAUTION: Always connect boom hoses to float section.

Weight added to rear of tractor provides better traction and an easier, more efficient loader operation. Extra weight, along with widening the rear wheels, reduces the risk of roll-over.

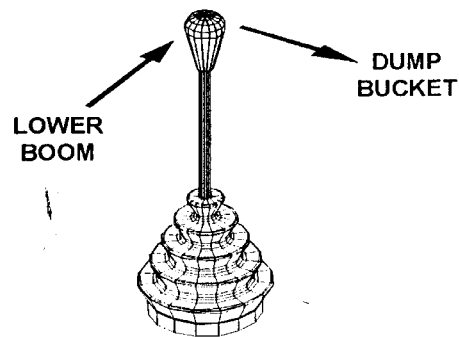
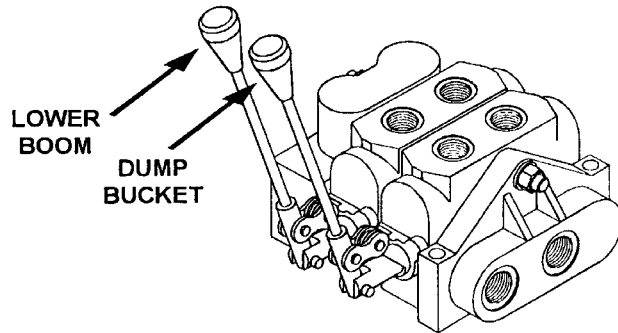


WARNING

The smaller the tractor is, the easier it will roll. We recommend that weight be added to rear tires with liquid or by the installation of rear wheel weights. Where additional weight is required, a counterweight box can be fabricated for tractors with three-point hitches.

Extra weight can also be added by the use of a heavy implement mounted to the three-point hitch.

A roll-over protective structure is also recommended.



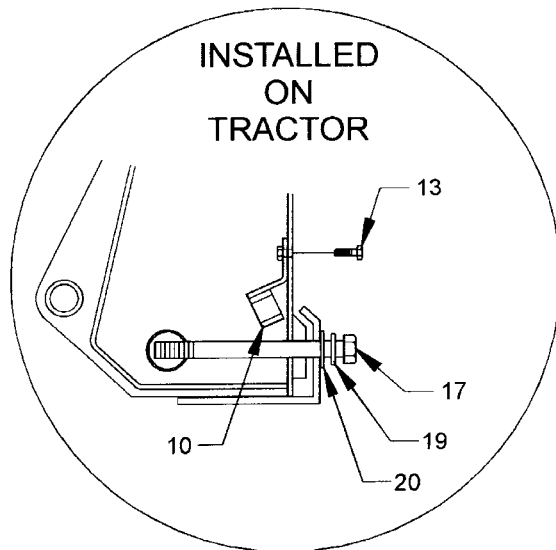
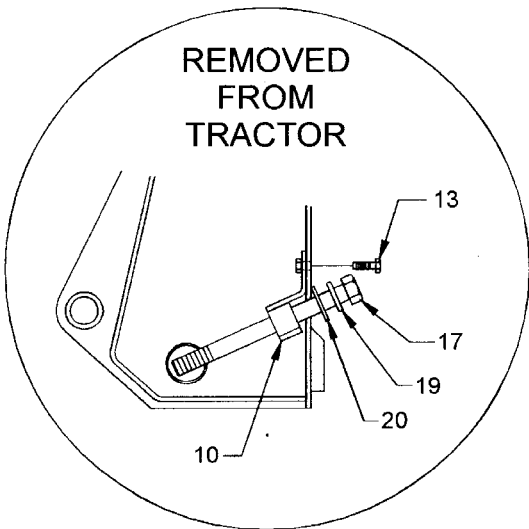
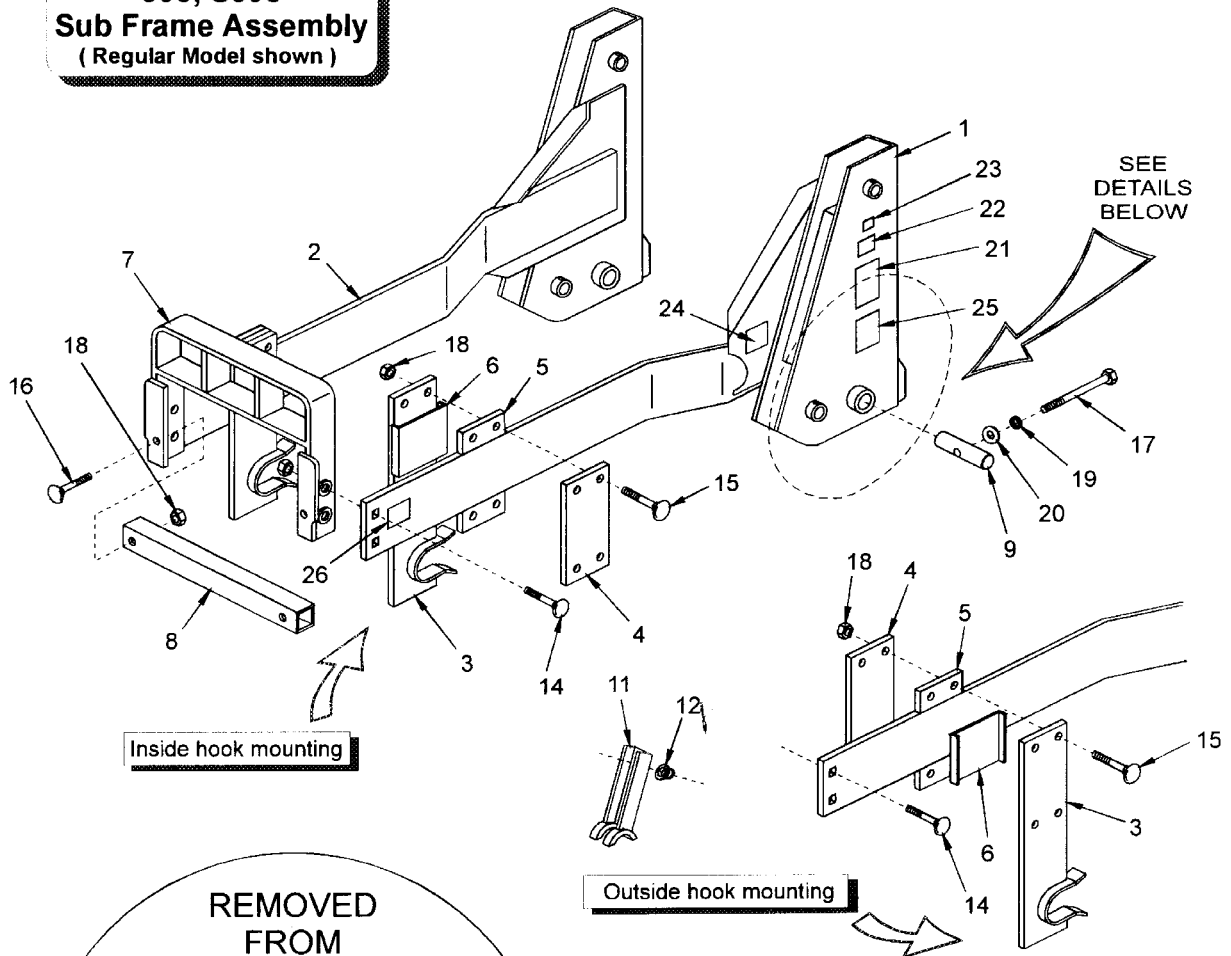
In cold weather, operate the tractor's engine at idle speed until the hydraulic fluid is warmed up. High engine speed when the hydraulic fluid is cold will cause the pump to wear prematurely.

Under normal conditions, operate the tractor's engine at 1/2 throttle. Shift the tractor into a low gear before entering a pile of material to minimize strain on loader arms.

Trouble Shooting

PROBLEM	POSSIBLE CAUSE	REMEDY
Loader slow and/or will not dump.	Quick couplers leaking. Hydraulic oil too heavy. Oil filter plugged. Hydraulic pump worn. Oil line restricted or leaking. Control valve does not shift properly. Air in hydraulic system. Cylinder leaks internally. Faulty valve.	Check connections and compatibility or replace. Change or replace filter. Clean or replace filter. Repair or replace pump. Check all hoses and tubes for leaks, damage or restrictions. Replace damaged or restricted hoses or tube lines. Inspect, clean, repair or replace valve. Cycle lift cylinders and bucket cylinders several times to free system of air. Replace seals. Repair or replace valve.
Loader chatters or vibrates when raising and lowering.	Air leak in pump inlet line. Air in hydraulic system. Oil level too low.	Check, tighten or replace inlet line. Cycle lift cylinders and bucket cylinders. Add oil as required.
Excessive movement at pivots	Worn bushings and/or pins.	Replace bushings and/or pins.
Pump noisy	Inlet line restricted or leaking. Oil level too low. Pump worn or damaged.	Check for air leaks, restrictions or collapsed hose. Tighten or replace hose. Clean filter if necessary. Add oil as required. Repair or replace pump.
Oil leaks.	Damaged fittings or hoses. Loose connections. Worn or damaged O-ring wiper seal in cylinder rod end. Worn or damaged O-rings in valve.	Replace damaged parts. Tighten fittings. Install a seal repair kit. Install an O-ring repair kit.
Insufficient lift capacity	Improper hydraulic pump operation. Load is greater than boom lift capacity. Internal boom cylinder leakage. Improper hydraulic valve operation.	Repair or replace pump. Check loader specifications. Replace any worn parts and install a seal repair kit. Repair or replace valve.
Slow leakdown.	Worn control valve. Worn cylinder piston seals.	Have authorized dealer replace seals. Have authorized dealer replace seals.
Excessive wear on bottom oil bucket and wear pads.	Float position not used while operating loader.	Use float position provided on valve.
Hydraulic cylinders inoperative.	Hose from control valve improperly connected.	Refer to plumbing diagrams.
Pump operating continually on closed center tractor hydraulic system.	Tractor control valve relief stuck open. Hydraulic control valve set too low.	See your tractor manual for proper adjustment or Loader dealer for loader valve. (3000 PSI is maximum pressure relief setting recommended.) Adjust valve in accordance with manual.
Loader lift and bucket tilt controls do not work according to decal.	Hoses improperly connected.	Refer to plumbing diagrams and correct hose connections.
Valve noisy and/or hot	Open center control valve on closed center tractor.	Replace relief valve with closed center plug and plug the power beyond adapter on valve.
Tractor loads/pump squeals	Closed center control valve on open center tractor.	Install open center plug on optional valve. Replace closed center plug with relief and install short plug in place of power beyond adapter.

395, S395
Sub Frame Assembly
 (Regular Model shown)



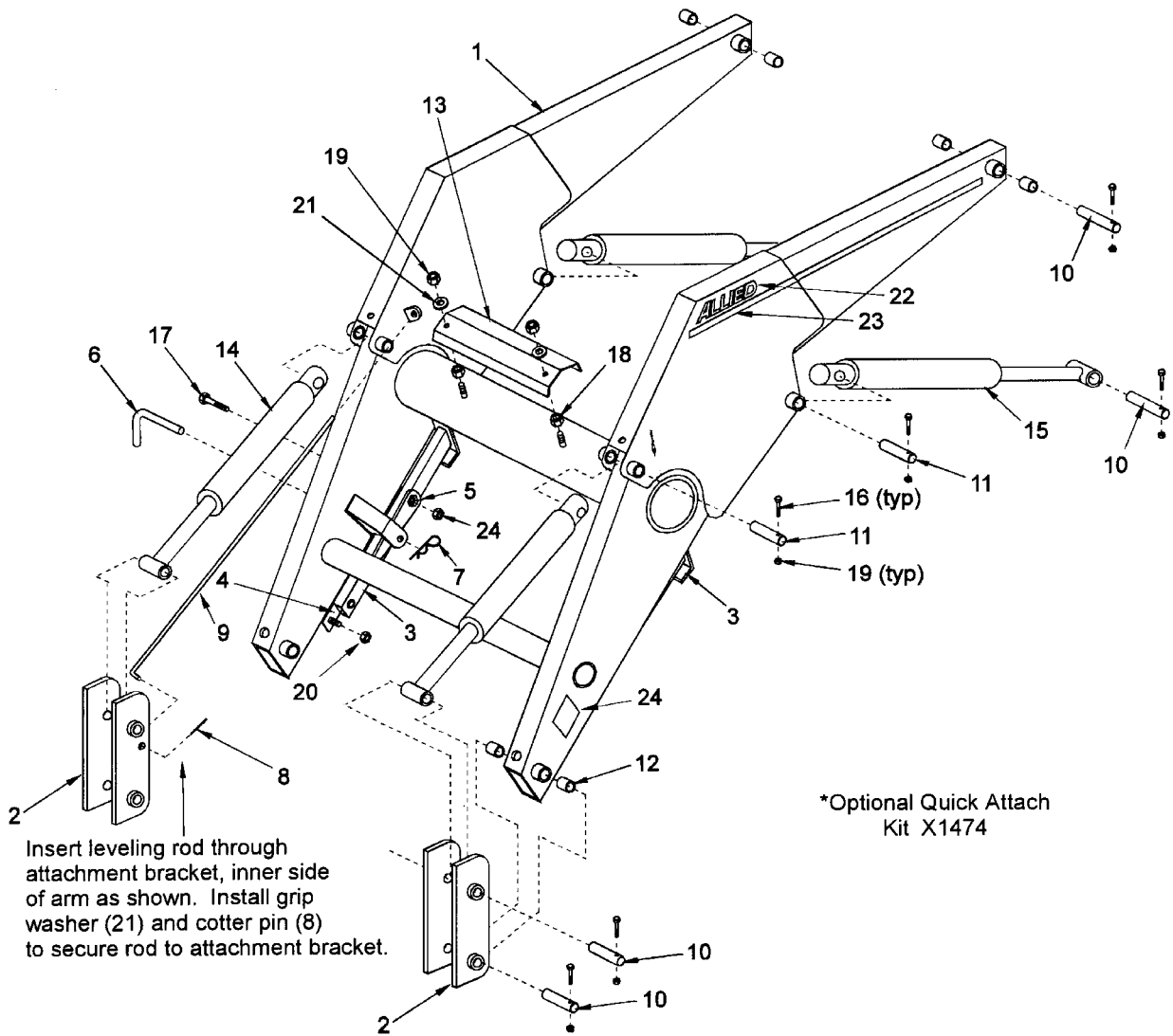
395, S395

Sub Frame Parts Table

Item	Part No.	Description	395	S395
1	31611	395 Sub Frame Weldment Left	1	
2	31610	395 Sub Frame Weldment Right	1	
1	31622	395 S Sub Frame Weldment Left		1
2	31623	395 S sub Frame Weldment Right		1
3	113253	Hook Weldment	2	2
4	112747	Plate Clamp	2	2
5	112746	Spacer Block	4	4
6	112748	Shim	2	2
7	114531	Cross Member Weldment	1	1
8	114537	Tube Cross Member	1	1
9	112642	Shaft Pivot 1.75 Dia. x 5.50 Long	2	2
10	113281	Bolt Retainer Weldment	2	2
11	113746	Loader Lift Lock Weldment	2	2
12	812717	Grommet 0.375 ID x 1.00 OD x .13	2	2
13	812026	Bolt Hex 0.313nc x 1.00 gr5 pl	2	2
14	812882	Bolt Car. 0.625nc x 2.50 gr5 pl	4	4
15	84289	Bolt Hex 0.625nc x 3.00 gr5 pl	8	8
16	84127	Bolt Car. 0.625nc x 3.50 gr5 pl	2	2
17	812939	Bolt Hex 0.875nc x 10.00 gr8 pl	2	2
18	81967	Nut Lock (Nylon) 0.625nc grB pl	14	14
19	81723	Washer Lock 0.875 pl	2	2
20	112730	Washer Boot	2	2
21	112812	*Decal - General Caution	2	2
22	113500	*Decal - 395 x 1.40	2	2
23	112615	*Decal - S x 1.40		2
24	112982	*Decal - Lift Lock Instruction	2	2
25	112983	*Decal - Warning Overhead Hazard	2	2
26	113474	*Decal - Cross Member Caution	2	2

*Part of decal replacement kit X1296

395, S395
Main Frame Assembly
 (Regular Model shown)

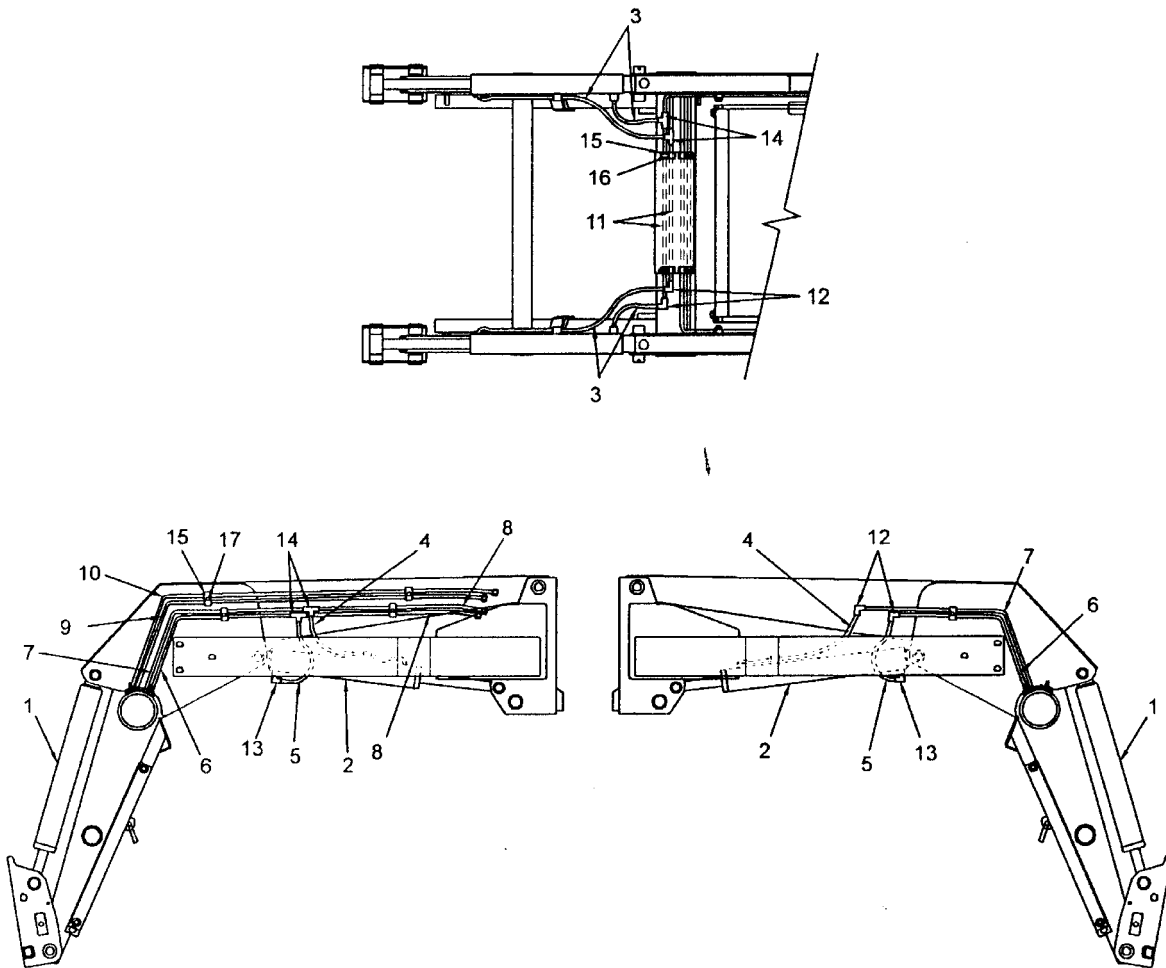


395, S395**Main Frame Parts Table**

Item	Part No.	Description	395	S395
1	31620	395 Main Frame Weldment	1	-
1	31621	395S Main Frame Weldment	-	1
2		Attachment Bracket		
3	114354	Stand Weldment	2	2
4	114536	Strap Stand	2	2
5	24329	Wrench Mounting	1	1
6	110907	Pin 0.625 Dia. Stand	2	2
7	12779	Hair Pin Clip #9 Western Wire	2	2
8	84162	Cotter Pin 5/32 x 1.0	1	1
9	114524	Leveling Rod (48.0")	1	1
10	112954	Pin 1.25 Dia. x 6.75 Long	8	8
11	112955	Pin 1.25 Dia. x 5.00 Long	4	4
12	113766	Bushing 1.25 ID x 1.50 OD x 1.375 Long	8	8
13	24242	Tube Cover	1	1
14	24493	2.0 Dia. x 20.75 Bucket Cylinder	2	2
15	24495	2.0 Dia. x 20.75 Lift Cylinder	2	2
16	81581	Bolt Hex 0.375nc x 2.50 gr5 pl	12	12
17	81669	Bolt Hex 0.625nc x 3.50 gr5 pl	4	4
18	81592	Nut Hex 0.375nc gr2 pl	4	4
19	81344	Nut Lock (nylon) 0.375nc grB pl	16	16
20	81967	Nut Lock (nylon) 0.625nc grB pl	6	6
21	81570	Washer Flat Std 0.375 hs pl	4	4
22	112614	*Decal - Allied x 1.75	2	2
23	52281-000	*Bright Orange Scotchcal #72368	8.5ft	7.5ft

*Part of decal replacement kit X1296

395, S395 Loader Hydraulic Plumbing Diagram (Regular Model shown)



395, S395 LOADER**Plumbing Parts Table**

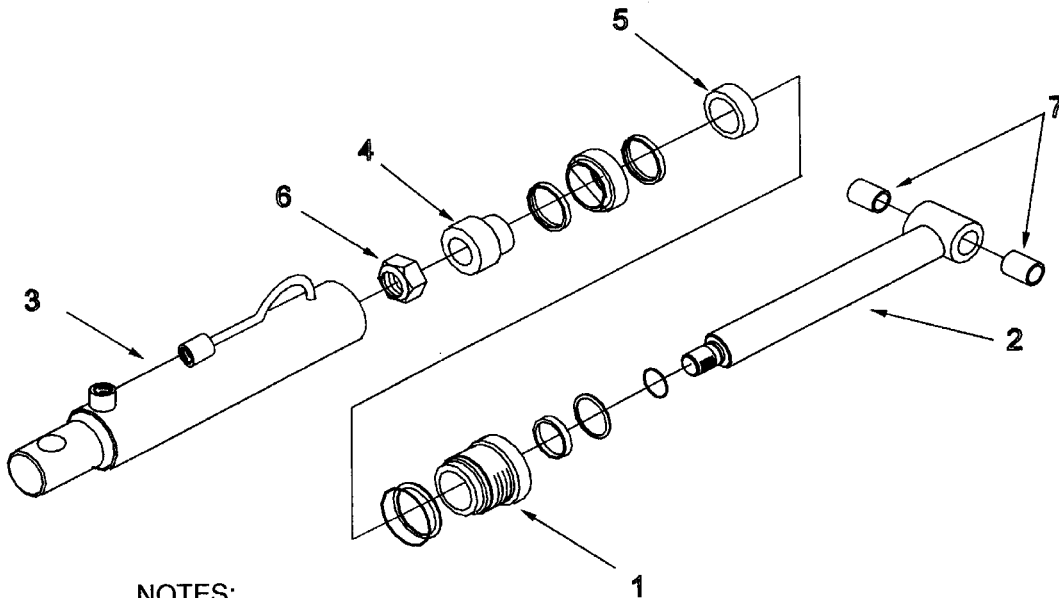
Item	Part No.	Description	Qty.
1	24493	2.0 Dia. x 20.75 Cyl. Assy Bucket	2
2	24495	2.0 Dia. x 20.75 Cyl. Assy Lift	2
3	812973	3/8 x 12 Hose 3/4 MORB x 3/4 SWFJIC	4
4	811754	3/8 x 18 Hose 3/4 MORB x 3/4 SWFJIC	2
5	812947	3/8 x 22 Hose 3/4 SWFJIC x 3/4 SWFJIC	2
6	114526	Tubing - Lift Cyl. Bottom Raise	1
7	114527	Tubing - Lift Cyl. Top Drop	1
8	113031	Tubing - Lift Cyl. Top Drop Common (23.0")	2
9	114528	Tubing - Bucket Cyl. Bottom Rollback	1
10	114529	Tubing - Bucket Cyl. Top Dump	1
11	112837	Tubing - Bucket Cyl. Cross Tube	2
12	812128	Elbow 90 3/4 MJIC x 3/4 MJIC	4
13	811414	Elbow 90 3/4 MORB x 3/4 MJIC	2
14	812069	Tee 3/4 MJIC	4
15	11362	Clip Pipe Std.	11
16	81592	Nut Hex 0.375nc gr2 pl	4
17	81344	Nut Lock (Nylon) 0.375nc grB pl	9

395, S395

Hydraulic Cylinder Assembly

Description	Bucket Cylinders		Lift Cylinders	
Diameter	2.00"	2.50"	2.00"	2.50"
Length of Stroke	20.63"	20.50"	20.63"	20.63"
Retracted Length	32.25"	32.25"	33.00"	33.00"
Extended Length	52.88"	52.75"	53.63"	53.63"
Cylinder Assembly No.	24493	24494	24495	24496
Seal Kit No.	X1348	X1110	X1349	X1110
Shaft Diameter	1.25"	1.50"	1.50"	1.50"

Item	Description	Part Number		Part Number	
1	Head Plate	24516	24540	24522	24540
2	Shaft Weldment	114523	114516	114525	113120
3	Cylinder Tube Weldment	24513	24459	24515	24477
4	Piston Half (wide)	114520	113217	114520	113217
5	Piston Half (narrow)	114521	113216	114521	113216
6	Self-Locking Nut	812655	810457	812655	810457
7	Shaft Bushing	113766	113766	113766	113766



NOTES:

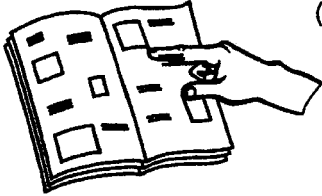
1. Bucket cylinder shown.
2. All cylinder seals are contained in corresponding seal kit.



CAUTION : Maximum pressure - 2750 psi

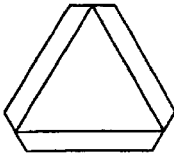
WARNING!

LOOK OUT FOR CHILDREN.
TEACH YOUR CHILDREN SAFETY.
(INFORM THEM OF DANGERS AROUND MACHINES)



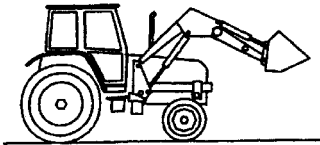
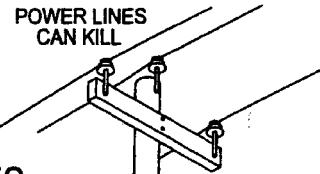
MANUAL MUST BE READ AND UNDERSTOOD BY OPERATOR.

TRANSPORT



EMBLEMS MUST BE VISIBLE

ALWAYS MOVE EQUIPMENT IN LOW OR DOWN POSITION ESPECIALLY AROUND POWER LINES.



NEVER LEAVE EQUIPMENT IN RAISED POSITION.



SERVICE

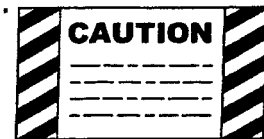
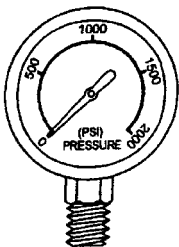
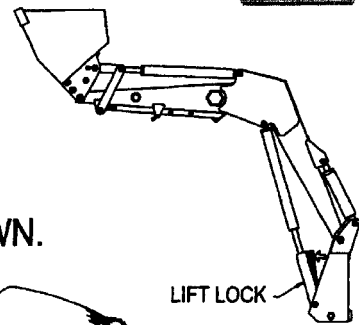
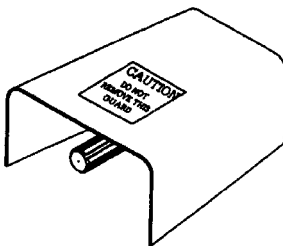
SERVICE EQUIPMENT ONLY WHEN STOPPED AND WITH LIFT LOCKS IN PLACE AS SHOWN.

KEEP ALL GUARDS AND SHIELDS IN PLACE.

REPLACE DAMAGED OR WORN PARTS. FRAYED CABLES AND HOSES ARE DANGEROUS.

DO NOT CHANGE FACTORY SETTINGS.

KEEP DECALS CLEAN AND LEGIBLE.
(REPLACEMENTS NORMALLY AVAILABLE)



DIVISION LOCATIONS

Allied Division
1201 Regent Ave. W.
Box 1003
Winnipeg, MB R2C 3B2
Ph.: (204) 661-8711
Fax: (204) 654-2503

Farm King Division
301 Mountain Street S.
Morden, MB R6M 1X7
Ph.: (204) 822-4467
Fax: (204) 822-6348

Inland Division
675 Washington Ave.
Winnipeg, MB R2K 1M4
Ph: (204) 667-7854
Fax: (204) 669-2599

B.I.I. Division
1330 43rd Street N.W.
 Fargo, ND 58102
Ph: (701) 282-7014
Fax: (701) 282-5865

CANADIAN WAREHOUSES

B.C., Abbotsford
(604) 864-2665

AB, Edmonton
(403) 962-6991

SK, Regina
(306) 781-2300

ON, Woodstock
(519) 539-0435

ON, Jasper
(613) 283-1758

QC, Dorion
(450) 455-4840

U.S. WAREHOUSES

AR, West Memphis
(870) 732-3132

GA, Stone Mountain
(770) 908-9439

IA, Atlantic
(712) 243-5520

IA, Lakeview
(712) 657-8585

ID, Meridian
(208) 887-6006

IL, Hooppole
(815) 948-2591

IL, LeRoy
(309) 962-8414

IN, Clarksville
(812) 284-3376

IN, Crawfordsville
(317) 362-4495

KS, Wichita
(765) 265-9577

MN, Lakeville
(952) 469-5267

MT, Billings
(406) 248-7771

NE, Gothenburg
(308) 537-7175

NC, Dunn
(910) 892-8500

NC, Statesville
(704) 873-0531

ND, Bismarck
(701) 223-1886

ND, Fargo
(701) 282-7003

NY, Oneida
(315) 363-3390

NY, Syracuse
(315) 463-5276

OH, Youngstown
(330) 793-0862

OR, Portland
(503) 234-0378

SD, Huron
(605) 352-8616

TX, Houston
(713) 928-2632

UT, Salt Lake City
(801) 972-4321

WI, Portage
(608) 742-1370

OFFSHORE WAREHOUSES

Burando Hill
Katanning
W. Australia
011-618-98-214422

Chihuahua, Mexico
011-52-158-90306

John Kerr Equipment Ltd.
Wilcoxholm Farm
Linlithgow, W. Lothian
Scotland
011-441-506-842280

Skovde, Sweden
011-46-500-452651

Naestved, Denmark
011-45-557-29511

bühler

Buhler Manufacturing "a partnership"

1201 Regent Ave. W.
Winnipeg, MB.
R2C 3B2
Ph.: (204) 661-8711
Fax: (204) 654-2503
www.buhler.com

Printed in Canada

Free Manuals Download Website

<http://myh66.com>

<http://usermanuals.us>

<http://www.somanuals.com>

<http://www.4manuals.cc>

<http://www.manual-lib.com>

<http://www.404manual.com>

<http://www.luxmanual.com>

<http://aubethermostatmanual.com>

Golf course search by state

<http://golfingnear.com>

Email search by domain

<http://emailbydomain.com>

Auto manuals search

<http://auto.somanuals.com>

TV manuals search

<http://tv.somanuals.com>