

COMPONENT 3WAY SPEAKER SYSTEM
SPX-Z18T

Alpine F#1 Status™



////ALPINE®

⚠ Points to Observe for Safe Usage

- Read this manual carefully before starting operation and use this system safely. We cannot be responsible for problems resulting from failure to observe the instructions in this manual.
- This manual uses various pictorial displays to show how to use this product safely and to avoid harm to yourself and others and damage to your property. Here is what these pictorial displays mean. Understanding them is important for reading this manual.
- **Meaning of displays**

⚠ Warning	This label is intended to alert the user to the presence of important operating instructions. Failure to heed the instructions will result in severe injury or death.
⚠ Caution	This label is intended to alert the user to the presence of important operating instructions. Failure to heed the instructions can result in injury or material damage.

⚠ Warning

DO NOT DISASSEMBLE OR ALTER. Doing so may result in an accident, fire or electric shock.

KEEP SMALL OBJECTS SUCH AS BATTERY OUT OF THE REACH OF CHILDREN. Swallowing them may result in serious injury. If swallowed, consult a physician immediately.

DO NOT INSTALL IN LOCATIONS WHICH MIGHT HINDER VEHICLE OPERATION, SUCH AS THE STEERING WHEEL OR GEARSHIFT. Doing so may obstruct forward vision or hamper movement etc. and results in serious accident.

DO NOT DAMAGE PIPE OR WIRING WHEN DRILLING HOLES. When drilling holes in the chassis for installation, take precautions so as not to contact, damage or obstruct pipes, fuel lines, tanks or electrical wiring. Failure to take such precautions may result in fire.

DO NOT USE BOLTS OR NUTS IN THE BRAKE OR STEERING SYSTEMS TO MAKE GROUND CONNECTIONS. Bolts or nuts used for the brake or steering systems (or any other safety-related system), or tanks should NEVER be used for installations or ground connections. Using such parts could disable control of the vehicle and cause fire etc.

DO NOT INSTALL THE MONITOR NEAR THE PASSENGER SEAT AIR BAG. If the unit is not installed correctly the air bag may not function correctly and when triggered the air bag may cause the monitor to spring upwards causing an accident and injuries.

MAKE THE CORRECT CONNECTIONS. Failure to make the proper connections may result in fire or product damage.

⚠ Caution

USE SPECIFIED ACCESSORY PARTS AND INSTALL THEM SECURELY. Be sure to use only the specified accessory parts. Use of other than designated parts may damage this unit internally or may not securely install the unit in place. This may cause parts to become loose resulting in hazards or product failure.

DO NOT INSTALL IN LOCATIONS WITH HIGH MOISTURE OR DUST. Avoid installing the unit in locations with high incidence of moisture or dust. Moisture or dust that penetrates into this unit may result in product failure.

HAVE THE WIRING AND INSTALLATION DONE BY EXPERTS. The wiring and installation of this unit requires special technical skill and experience. To ensure safety, always contact the dealer where you purchased this product to have the work done.

ARRANGE THE WIRING SO IT IS NOT CRIMPED OR PINCHED BY A SHARP METAL EDGE. Route the cables and wiring away from moving parts (like the seat rails) or sharp or pointed edges. This will prevent crimping and damage to the wiring. If wiring passes through a hole in metal, use a rubber grommet to prevent the wire's insulation from being cut by the metal edge of the hole.

HALT USE IMMEDIATELY IF A PROBLEM APPEARS. Failure to do so may cause personal injury or damage to the product. Return it to your authorized Alpine dealer or the nearest Alpine Service Center for repairing.

⚠ Points à respecter pour une utilisation sûre

- Lire attentivement ce manuel avant de commencer l'opération et l'utilisation du système en toute sécurité. Nous dégageons toute responsabilité des problèmes résultant du non-respect des instructions décrites dans ce manuel.
- Ce manuel utilise divers affichages illustrés pour montrer comment utiliser cet appareil en toute sécurité, pour éviter de s'exposer soi-même et les autres personnes aux dangers et pour éviter d'endommager l'appareil. Voici la signification de ces affichages illustrés. Il est important de bien les comprendre pour la lecture de ce manuel.
- **Signification des affichages**

⚠ Avertissement	Cette étiquette a pour but de prévenir l'utilisateur de la présence d'instructions importantes. Si ces instructions ne sont pas suivies, des blessures graves ou mortelles risquent d'être occasionnées.
⚠ Attention	Cette étiquette a pour but de prévenir l'utilisateur de la présence d'instructions importantes. Si ces instructions ne sont pas suivies, des blessures ou des dommages matériels risquent d'être occasionnés.

⚠ Avertissement

NE PAS DESASSEMBLER NI MODIFIER L'APPAREIL. Il y a risque d'accident, d'incendie ou de choc électrique.

GARDER LES PETITS OBJETS COMME LES PILES HORS DE PORTEE DES ENFANTS. L'ingestion de tels objets peut entraîner de graves blessures. En cas d'ingestion, consulter immédiatement un médecin.

NE PAS INSTALLER A DES ENDOITS SUSCEPTIBLES D'ENTRAVER LA CONDUITE DU VEHICULE, COMME LE VOLANT OU LE LEVIER DE VITESSES. La vue vers l'avant pourrait être obstruée ou les mouvements gênés, etc., et provoquer un accident grave.

NE PAS ENDOMMAGER DE CONDUITES NI DE CABLES LORS DU FORAGE DES TROUS. Lors du forage de trous dans le châssis en vue de l'installation, veiller à ne pas entrer en contact, endommager ni obstruer de conduites, de tuyaux à carburant ou de fils électriques. Le non-respect de cette précaution peut entraîner un incendie.

NE PAS UTILISER DES ECROUS NI DES BOULONS DU CIRCUIT DE FREINAGE OU DE DIRECTION POUR LES CONNEXIONS DE MASSE. Les boulons et les écrous utilisés pour les circuits de freinage et de direction (ou de tout autre système de sécurité) ou les réservoirs ne peuvent JAMAIS être utilisés pour l'installation ou la liaison à la masse. L'utilisation de ces organes peut désactiver le système de contrôle du véhicule et causer un incendie, etc.

NE PAS INSTALLER LE MONITEUR PRES DU COUSSIN D'AIR DU PASSAGER. Si l'appareil n'est pas installé correctement, il risque d'empêcher le fonctionnement du coussin d'air, et si le coussin se déploie, l'appareil risque d'être projeté dans l'habitacle, causant un accident et des blessures.

EFFECTUER CORRECTEMENT LES CONNEXIONS. Il y a risque de blessures ou de dommages à l'appareil.

⚠ Attention

UTILISER LES ACCESSOIRES SPECIFIES ET LES INSTALLER CORRECTEMENT. Utiliser uniquement les accessoires spécifiés. L'utilisation d'autres composants que les composants spécifiés peut causer des dommages internes à cet appareil ou son installation risque de ne pas être effectuée correctement. Les pièces utilisées risquent de se desserrer et de provoquer des dommages ou une défaillance de l'appareil.

NE PAS INSTALLER A DES ENDOITS TRES HUMIDES OU POUSSIEREUX. Éviter d'installer l'appareil à des endroits soumis à une forte humidité ou à de la poussière en excès. La pénétration d'humidité ou de poussière à l'intérieur de cet appareil risque de provoquer une défaillance.

FAIRE INSTALLER LE CABLAGE ET L'APPAREIL PAR DES EXPERTS. Le câblage et l'installation de cet appareil requiert des compétences techniques et de l'expérience. Pour garantir la sécurité, faire procéder à l'installation de cet appareil par le distributeur qui vous l'a vendu.

FAIRE CHEMINER LE CABLAGE DE MANIERE A NE PAS LE COINCER CONTRE UNE ARETE METALLIQUE. Faire cheminer les câbles à l'écart des pièces mobiles (comme les rails d'un siège) et des arêtes acérées ou pointues. Cela évitera ainsi de coincer et d'endommager les câbles. Si un câble passe dans un orifice métallique, utiliser un passe-cloison en caoutchouc pour éviter que la gaine isolante du câble ne soit endommagée par le rebord métallique de l'orifice.

INTERROMPRE TOUTE UTILISATION EN CAS DE PROBLEME. Le non-respect de cette précaution peut entraîner des blessures ou endommager l'appareil. Retourner l'appareil auprès du distributeur Alpine agréé ou un centre de service après-vente Alpine en vue de la réparation.

Installation / Installation

Parts List / Liste des pièces 3
Woofer Installation / Installation du Woofer 4
Midrange Installation / Installation du haut-parleur médial 5
Tweeter Installation / Installation du Tweeter 6
Network Installation / Installation du circuit 7
Network connections / Connexions du circuit 8

Crossover Network / Circuit répartiteur

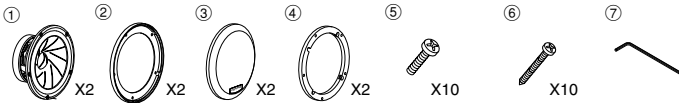
Crossover Network Introduction / Introduction au circuit répartiteur 9/25
Jumper Group Function / Fonction de groupe cavalier 10/26
System Type 1 / Type de système 1 13/29
 System Description / Description du système 13/29
 Network Jumper Setting / Réglage du cavalier du circuit 14/30
System Type 2 / Type de système 2 16/32
 System Description / Description du système 16/32
 Network Jumper Setting / Réglage du cavalier du circuit 17/33
System Type 3 / Type de système 3 19/35
 System Description / Description du système 19/35
 Network Jumper Setting / Réglage du cavalier du circuit 20/36
System Type 4 / Type de système 4 22/38
 System Description / Description du système 22/38
 Network Jumper Setting / Réglage du cavalier du circuit 23/39

Others / Autres

External dimensions / Dimensions externes 40
Specifications / Spécifications 42

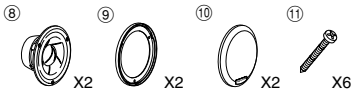
Parts List / Liste des pièces

Woofer / Woofer



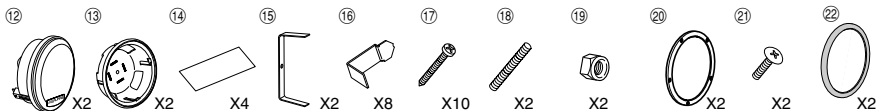
English			Français				
①	Main Unit	⑤	Screw M4 x 12	①	Unité principale	⑤	Vis M4 x 12
②	Grille Ring	⑥	Screw ø4 x 19	②	Bague de la grille	⑥	Vis ø4 x 19
③	Grille	⑦	Hexagonal Wrench	③	Grille	⑦	Clé hexagonale
④	Adapter Ring			④	Bague d'accouplement		

Midrange / Haut-parleur médial



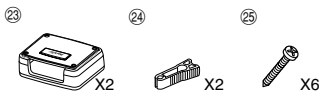
English			Français				
⑧	Main Unit	⑩	Grille	⑧	Unité principale	⑩	Grille
⑨	Grille Ring	⑪	Screw ø4 x 19	⑨	Bague de la grille	⑪	Vis ø4 x 19

Tweeter / Tweeter



English			Français				
⑫	Main Unit	⑰	Screw ø4 x 19	⑫	Unité principale	⑰	Vis ø4 x 19
⑬	Mounting Cup	⑱	Screw M4 x 25	⑬	Coupelle de montage	⑱	Vis M4 x 25
		⑲	M4 Nut			⑲	Écrou M4
⑭	Terminal Cover	⑳	Mounting Ring	⑭	Couvre-bornes	⑳	Bague de montage
⑮	Spring	㉑	Screw ø4 x 12	⑮	Ressort	㉑	Vis ø4 x 12
⑯	Mounting Clip	㉒	Gasket	⑯	Collier de fixation	㉒	Garniture

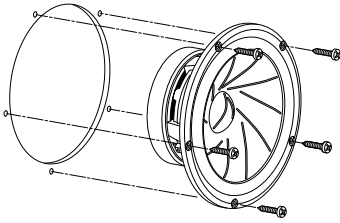
3-way network / Circuit répartiteur à 3 voies



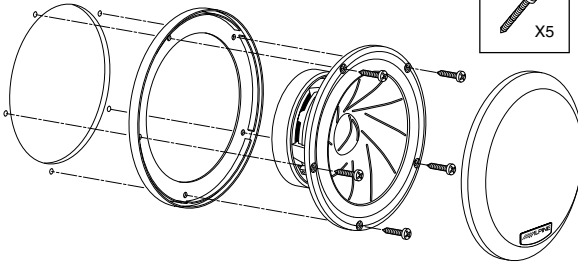
English		Français	
⑳	Crossover network	⑳	Circuit répartiteur
㉑	Jumper Puller	㉑	Mécanisme de tirage du cavalier
㉒	Screw ø4 x 19	㉒	Vis ø4 x 19

Woofers Installation / Installation du Woofer

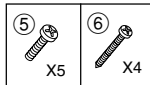
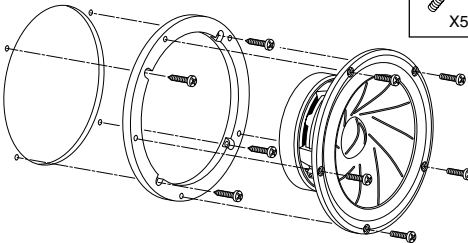
Installation without a grille / Installation sans grille



Installation with a grille / Installation avec grille

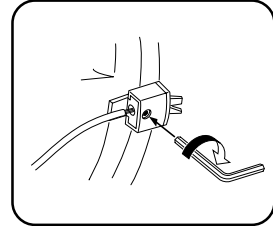


Installation with adapter rings / Installation avec bagues d'accouplement



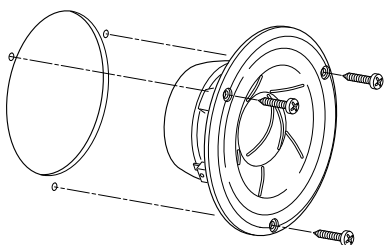
Speaker Wire Connections / Raccordement des fils d'enceinte

1. Insert the speaker wires through the connection holes. / Insérer les fils d'enceinte dans les trous de raccordement.
2. Fasten with a hexagonal wrench. / Serrer avec une clé hexagonale.

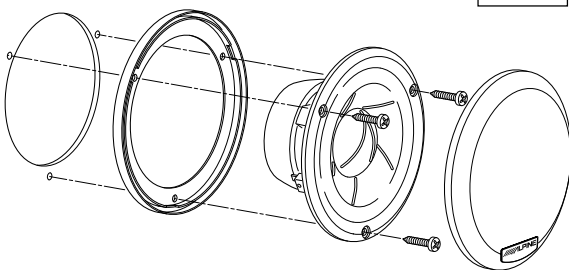


Midrange Installation / Installation du haut-parleur médial

Installation without a grille / Installation sans grille

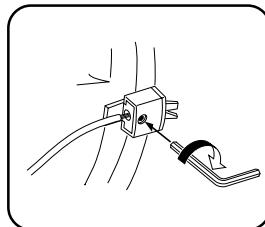


Installation with a grille / Installation avec grille



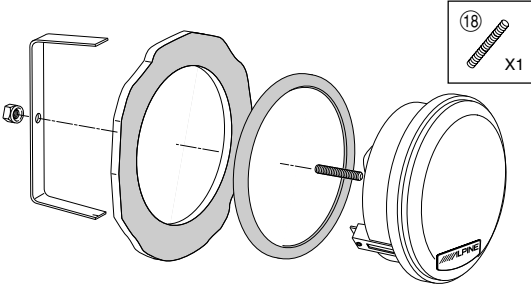
Speaker Wire Connections / Raccordement des fils d'enceinte

1. Insert the speaker wires through the connection holes. / Insérer les fils d'enceinte dans les trous de raccordement.
2. Fasten with a hexagonal wrench. / Serrer avec une clé hexagonale.

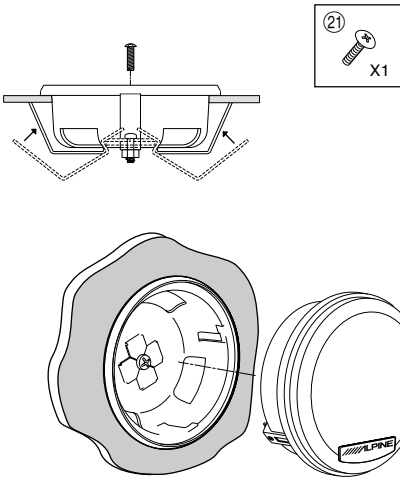


Tweeter Installation / Installation du Tweeter

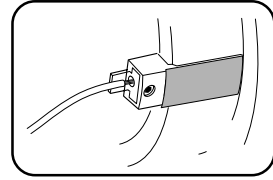
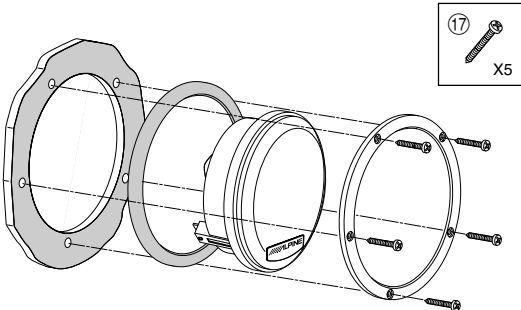
Installation with springs / Installation avec ressorts



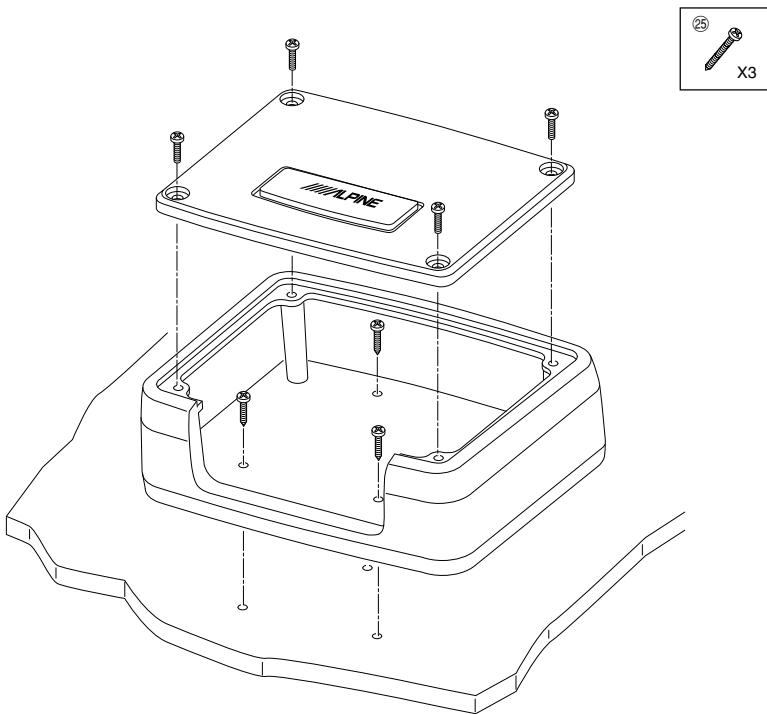
Installation with a mounting cup (Installation from the front) / Installation avec coupelle de montage (Installation par l'avant)



Installation with fastening rings / Installation avec bagues de serrage



Apply the supplied terminal cover to prevent short circuits from occurring when metallic or other conductors are in the vicinity of the installation area. / Appliquer le couvercle fourni afin d'éviter que des court-circuits ne se produisent lorsque des conducteurs métalliques ou autres se trouvent à proximité de la zone d'installation.



Note /Remarque:

Do not install the Crossover network where it will be exposed to moisture such as under the floor mat or near the air conditioner. This may cause a malfunction./
Ne pas installer le circuit répartiteur dans un endroit où il sera exposé à l'humidité, comme sous la moquette ou près du climatiseur. Cela risque de provoquer un mauvais fonctionnement.

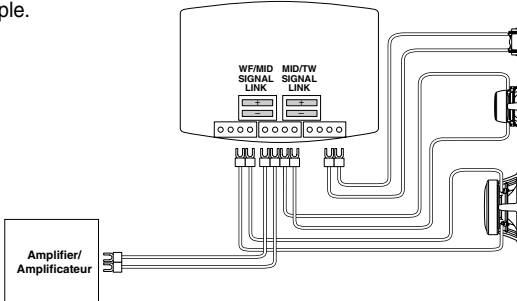
Network connections / Connexions du circuit

Insert the signal link jumpers highlighted in gray firmly following each connection example. If the jumper is not connected properly as described, it might result in malfunction of amplifier.

Insérez fermement les cavaliers de liaison de signal soulignés en gris en suivant chaque exemple de raccordement. Si le cavalier n'est pas relié correctement comme décrit, il pourrait avoir comme conséquence le défaut de fonctionnement de l'amplificateur.

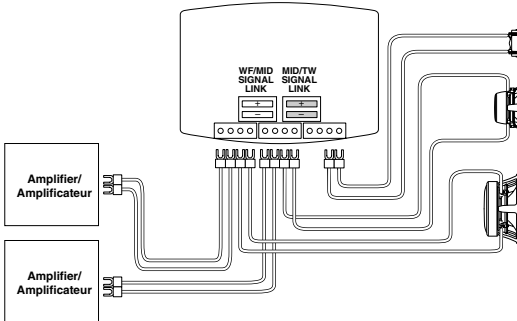
Connection Example 1 / Exemple de connexion 1

When connecting to single amp/single wiring / Lors du raccordement avec un seul amplificateur/câblage simple.



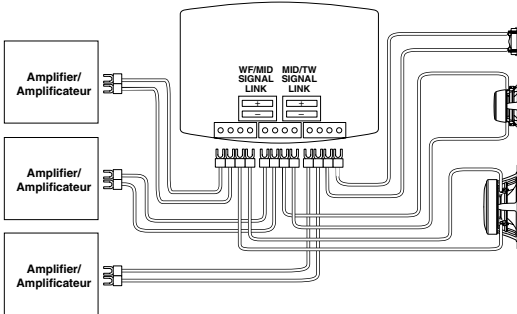
Connection Example 2 / Exemple de connexion 2

When connecting to bi-amp/bi-wiring / Lors du raccordement avec deux amplificateurs/câblage double.



Connection Example 3 / Exemple de connexion 3

When connecting to tri-amp/tri-wiring / Lors du raccordement avec trois amplificateurs/câblage triple.



⚠ Caution Connect properly by following the manual. Otherwise it might result in fire or accident.

⚠ Précaution Reliez correctement en suivant le manuel. Autrement il pourrait avoir comme conséquence le feu ou des accidents.

Crossover Network Introduction

It is common knowledge that the automotive interior is one of the most inhospitable environments for high-fidelity sound, and that every vehicle poses its own unique set of installation and acoustic challenges. While many of these problems can often be overcome with proper speaker placement, equalization, or other techniques, the attempt is a time consuming task without guaranteed results. Yet with all these tools and methods available, it is surprising to realize that one of the most powerful tuning tools has been misunderstood or neglected by so many for so long. It is for this reason that Alpine has developed the most advanced crossover network design in the history of car audio.

Much of the difference between demo-board and in-car performance can be attributed to the fact that crossover networks have been traditionally tuned for only one specific application – usually the demo-board. Without taking into account typical real world installations, the transition between drivers and resultant frequency response will be degraded for the majority of vehicles that installers are confronted with today. Through Alpine's unique phase coherent flat summation design methodology, however, it is now possible to optimize performance for a variety of installations by intentionally altering various filter characteristics. By achieving an "in-phase" condition between drivers in the overlapping frequency range at the listening position, image smear, response aberrations and other typical problems can be dramatically reduced or eliminated altogether. This "phase linkage" technique can be thought of as a kind of passive time correction in the crossover region.

With Alpine's introduction of such revolutionary processing technologies as digital time correction and adaptive equalization, all of this may seem superlative. Unfortunately however, such processing can significantly increase system complexity and therefore may not be practical for every situation. Additionally, without careful use of time correction for each individual speaker in the system, integration problems between them can remain. Subsequently, it may be advantageous to use such processing to compensate for seating position bias in conjunction with the phase correction of the passive network for the transition between individual drivers. Simply stated, the flexibility of the AlpineF#1Status™ crossover network allows it to be a complimentary solution for achieving the best of both worlds, either as a stand alone solution or an integral component of a partially active system.

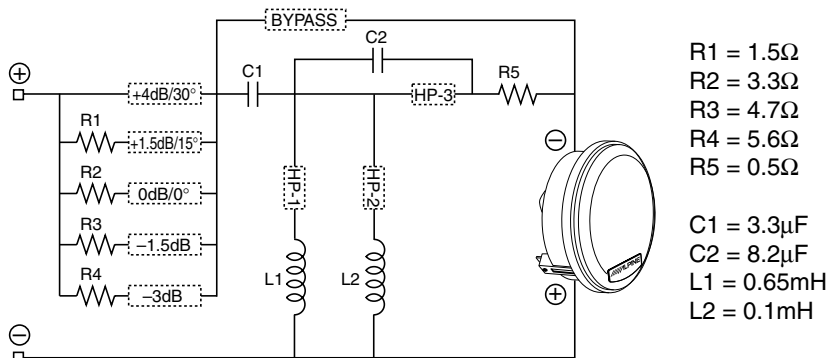
As with all AlpineF#1Status™ products, it is the attention to the smallest details that truly brings out ultimate performance... or in a word, MicroDynamics™. From the hand coated crosscut wood fiber cones to the symmetric drive motor structures, nothing is left to chance. This philosophy is carried throughout every aspect of the SPX-Z18T speaker system, including the components, layout and design of the crossover network. All series capacitors are the highest grade metalized polypropylene, and all series inductors are heavy gauge air core. Even parallel inductors are of powder core construction, to maximize consistency and sound quality. All elements are intentionally placed in such a way to as to minimize any chance for magnetic or thermal influence, and all signal path lengths are minimized with extra heavy circuit board traces. In the end, this level of quality and attention to detail has but one purpose, to bring true sonic realism to the automotive environment once and for all.

Jumper Group Function

Although recommendations are made for the most common system types in the following pages, there are actually over 1000 unique and useful jumper combinations available for a wide variety of vehicles, installations and personal tastes. While this flexibility has obvious advantages, too many choices can also be confusing. Therefore, it will be helpful to understand the function of each jumper group in order to tune the network more effectively:

TW-HP:

In addition to functioning as a high-pass filter, this section also provides the necessary adjustments for proper integration with the midrange. The transition between these two drivers in the frequency and time domains is essential to the total performance of a multi-element system, as it has a direct effect upon imaging, staging, focus and tonal balance. In real world installations, distance and angle of both drivers relative to the listener, their proximity to each other, and certainly the vehicle's interior also exert additional influence. In anticipation of this, variations of filter slope, Q, cut-off frequency and resultant phase shift are provided so that "phase linkage" and flat summation can be maintained. As a general reference, the layout and available filter types of the tweeter high-pass section are provided below:



1st Order:

- No HP jumpers
- HP3

2nd Order:

- HP1 + HP2 + HP3
- HP1 + HP3
- HP2 + HP3

3rd Order:

- HP1
- HP2
- HP1 + HP2

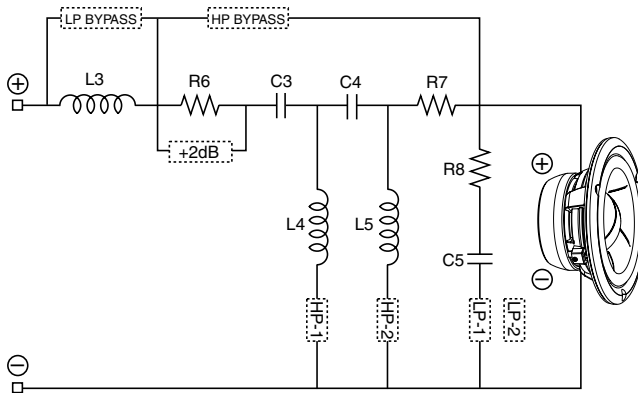
TW LEVEL:

In general, this section provides precise level adjustment for optimum performance or personal taste. However, it also allows for "tilting" of the filter frequency response in order to compensate for the natural high frequency roll-off associated with off-axis listening angles. In other words, this jumper choice will have a direct effect on both Q and cut-off frequency of the various filter combinations listed above. This effect can be seen in the filter transfer function graphs for the various system types. If the TW-HP section is set to bypass in favor of an electronic crossover, the off-axis feature will no longer function, but basic level adjustment will still be possible.

MID HP/LP:

As a selectable bandpass filter for the midrange, the net effect of this section is naturally linked to the selections made in the tweeter high-pass and woofer low-pass sections. Achieving the most phase coherent and flat summation possible requires controlling the amount of inherent phase shift of each filter, and is directly related to the selection of filter order, Q and cut-off frequency. Again, this relationship is also affected by the distance and angle of each driver relative to the listener and their proximity to each other.

Since the acoustic center of the midrange will be farther back than the tweeter in nearly all applications, minimal delay is desirable in the midrange low-pass. Subsequently, this filter is of low order, and leaves much of the adjustment capability for the mid/tweeter transition to the tweeter high-pass section. For the midrange high-pass, higher order configurations are used in most applications to achieve phase linkage with the woofer (see WF-LP section). For general reference, the available midrange network configurations are listed below. In certain installations where positioning or placement necessitates level adjustment, a jumper is provided that boosts midrange output by approximately +2dB. As an additional note, either filter (high-pass or low-pass) may be bypassed independently for semi-active applications.



$$R6 = 1.0\Omega$$

$$R7 = 1.0\Omega$$

$$R8 = 22\Omega$$

$$C3 = 18\mu\text{F}$$

$$C4 = 33\mu\text{F}$$

$$C5 = 10\mu\text{F}$$

$$L3 = 0.32\text{mH}$$

$$L4 = 2.0\text{mH}$$

$$L5 = 2.9\text{mH}$$

1st Order HP:

- No HP jumpers
- HP2 (semi-2nd Order)

3rd Order HP:

- HP1

4th Order HP:

- HP1 + HP2

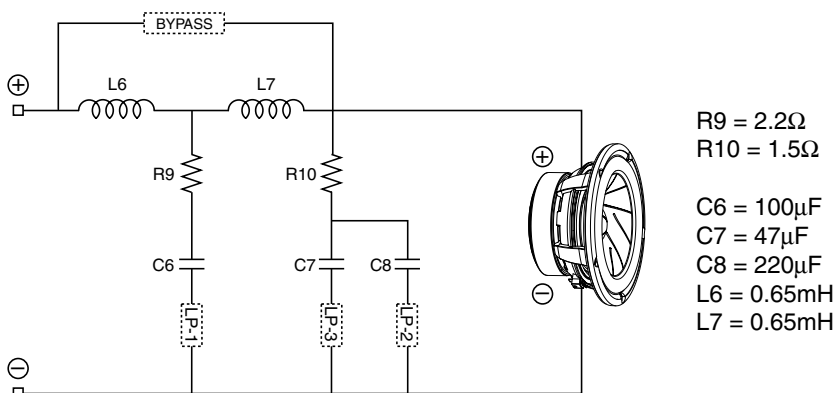
1st Order LP:

- LP1
- LP2

Jumper Group Function

WF-LP:

While functioning as a low-pass filter for the woofer, this section also provides a wide degree of adjustments for optimizing performance and system integration. Since it is often difficult to position the woofer and midrange close together or at equal distances, it is critical to achieve phase linkage between them to avoid localization, image smear, poor staging, etc. Additionally, vehicle interior dimensions are typically close to the wavelength of the woofer/midrange crossover region, so it may be necessary to minimize overlap to reduce the chance of generating a complex canceling sound field or response aberrations. Therefore, a variety of higher order filter types and characteristics are provided in this section, making it possible to link the two drivers in relative phase for a smooth transition in many applications. Again, it is important to note that the selections made in both the WF-LP and MID-HP sections produce a net effect, and must be set in such a way so as to work together. As a general reference, the available woofer low-pass filter configurations are listed below.



1st Order:

- No HP jumpers

2nd Order:

- LP2
- LP3
- LP2 + LP3

3rd Order:

- LP1

4th Order:

- LP1 + LP2
- LP1 + LP3
- LP1 + LP2 + LP3

SIGNAL LINK:

The signal link jumpers provide a parallel connection between the input sides of the terminal blocks, eliminating the need for extra terminals or wiring when using a single or dual input.

Caution:

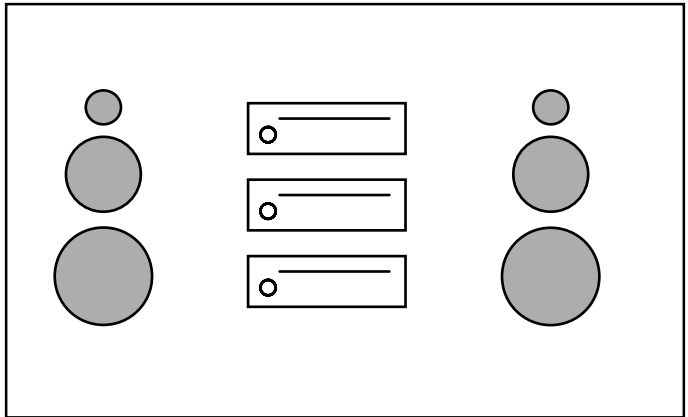
These jumpers **must** be removed accordingly when used in a bi-amp or tri-amp configuration to prevent possible damage to amplifiers.

System Type 1

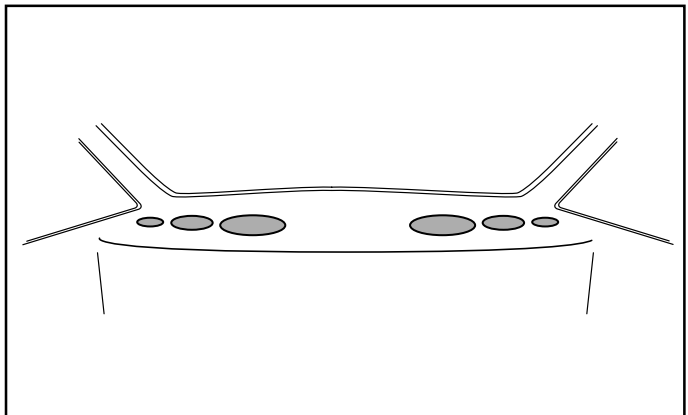
System Description

With all three drivers mounted close together and equidistant to the listening position, this is surely the most favorable configuration for a component speaker system. Although such an installation may not often be practical in situations other than the demo-board, it is certainly possible given the custom fabrication techniques available today. In anticipation this, a degree of tolerance is built into the settings described below for the most likely cases, though some experimentation may be necessary if all conditions cannot be met. If choosing to go beyond the recommended settings or utilizing the network in a partially active mode, keep in mind that phase coherence and flat summation remains critical even in the idyllic flat baffle situation, as each driver type exhibits unique phase and group delay characteristics.

- **Type-1A** is the default setting of the network, and assumes essentially on-axis positioning and equal pathlength of all drivers relative to the listening position.



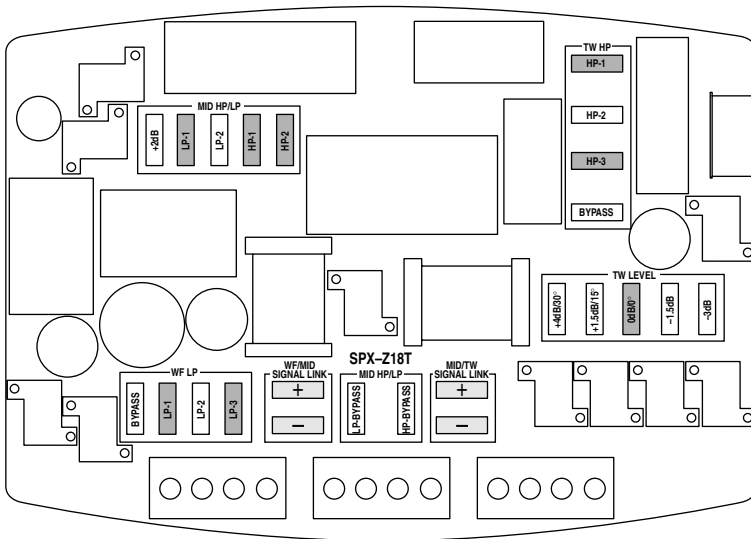
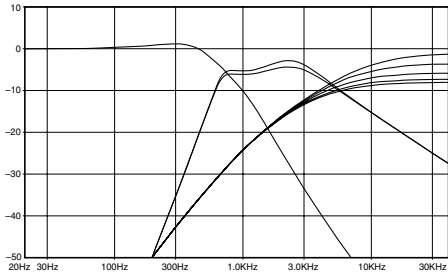
- **Type-1B** is for such cases where pathlength is nearly the same to all drivers, but where the mounting surface orientation creates a uniform but fairly extreme off-axis listening angle.



System Type 1

Network Jumper Setting

Type-1A: Pathlength to the listening position is considered to be basically equal in this case (ideally 2-3m away), with relative on-axis positioning of all drivers. Phase linkage is accomplished with a low Q 2nd Order high-pass filter on the tweeter, 1st Order low-pass and 4th Order high-pass on the midrange, and a semi-4th Order low-pass on the woofer. This results in acoustic crossover points of 3.8kHz and 700Hz respectively.

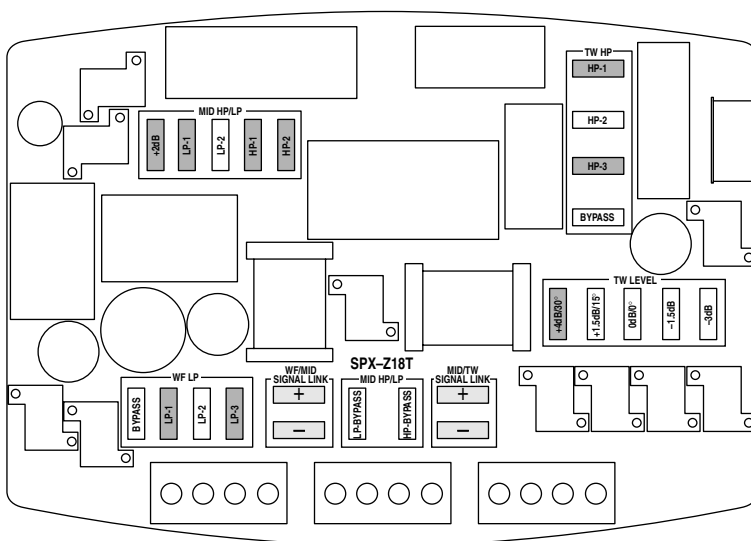
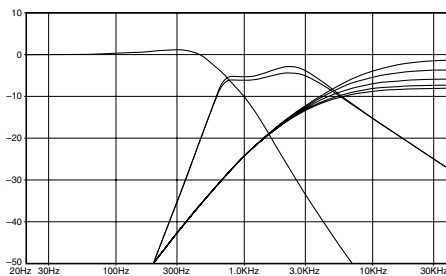


Notes:

- Highlighted tweeter level jumpers are the recommended settings for each configuration, but user adjustment may be desirable.
- Transfer function simulations only illustrate the effect of the filter upon the input signal, and therefore do not represent the actual frequency response of the system.
- If separate channels of amplification are used (bi-wire or tri-wire mode), the appropriate signal link jumpers must be removed.

Network Jumper Setting

Type-1B: While the mounting configuration is the same as Type-1A, this network setting provides a variation for when personal taste, positioning or vehicle acoustics necessitates more high frequency output from the midrange and tweeter. Rear deck installation is one particular example where the extreme off-axis positioning will require such level compensation due to the natural roll-off. Although this will also result in some additional delay of the woofer, it does not exert significant influence in this case. The resultant acoustic crossover points are the same as indicated above.



Notes:

- Highlighted tweeter level jumpers are the recommended settings for each configuration, but user adjustment may be desirable.
- Transfer function simulations only illustrate the effect of the filter upon the input signal, and therefore do not represent the actual frequency response of the system.
- If separate channels of amplification are used (bi-wire or tri-wire mode), the appropriate signal link jumpers must be removed.

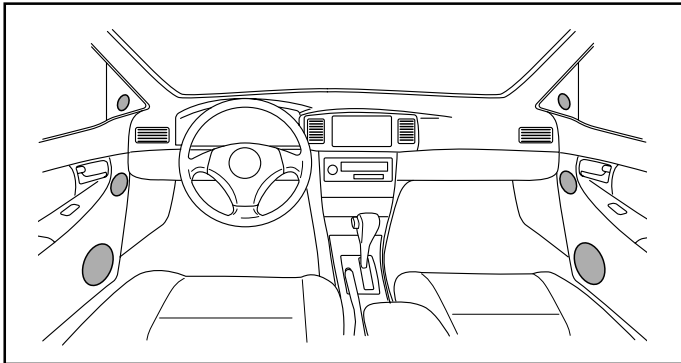
System Type 2

System Description

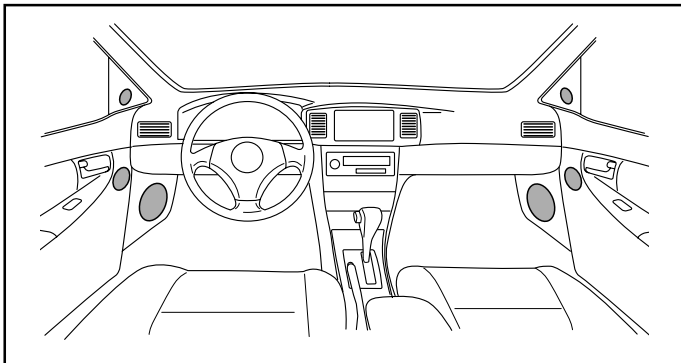
As one of the more common applications, this installation type is the most likely to be accommodated by factory speaker locations to some degree, thus requiring the least amount of custom fabrication. However, due to the mounting arrangement and surface orientation, it also results in significant differences in distance and angle of all three drivers relative to the listener. In order to optimize performance in this case, it is especially critical to link each driver together in relative phase throughout the transitional crossover regions, while also taking into account the frequency response effects of the various off-axis listening angles of each driver. Two network configurations are provided for the most typical variations of this installation type, each employing specific phase correction and response compensation. Again, please note that the tuning of the settings below considers the best balance between driver and passenger listening positions, so all distances and angles are referenced to the nearest side.

Also worth noting is the fact that the shorter near side pathlengths to the midrange and tweeter will result in more dramatic seating position bias than other installation types. While it is possible to adjust each network individually in order to specifically tune for one listening position, it will often be more beneficial to utilize basic time correction to correct for this left/right pathlength difference if available. In general though, a high tweeter location is thought to be advantageous for improving perceived height and width of the soundstage, as well as achieving a strong high frequency output level.

- **Type-2A** takes into account that all drivers are mounted more or less flush to the panel on a mostly flat vertical surface such as the door, thus presenting varying degrees of both axis and distance of each driver to the listener.

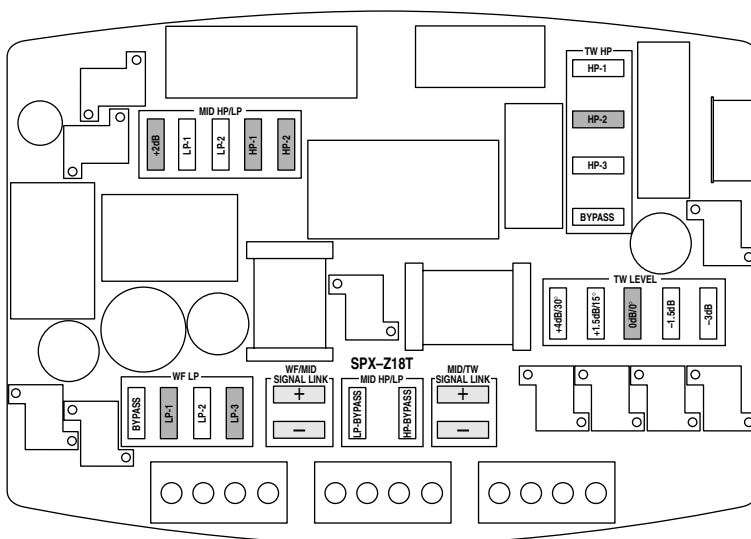
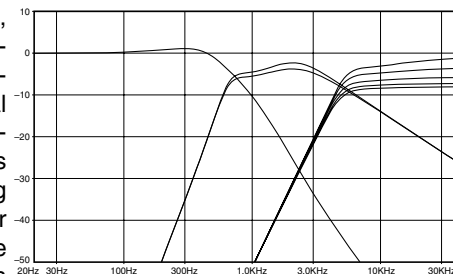


- **Type-2B** is the same as above, but assumes the woofer somewhat farther away than is typical. This will accommodate different vehicle types as well as kick panel mounting of the woofer.



Network Jumper Setting

Type-2A: For the tweeter in this case, pathlength from the listening position is considered to be 85cm, at approximately 15-20° off-axis. Located at a moderate vertical distance down from the tweeter and basically flush to the panel, the midrange is 8.5cm farther away and presents a listening angle of about 40-50°. Due to the low door woofer location however, the listening angle for the woofer is close to 60° off-axis, with its acoustic center 8cm farther relative to the mid. For the tweeter/mid transition, a 3rd order high-pass and semi-1st order low-pass with increased level on the mid are engaged, resulting in a summation point of 4kHz. Optimum integration between the woofer and mid is then achieved with 4th order high-pass and low-pass at 700Hz.



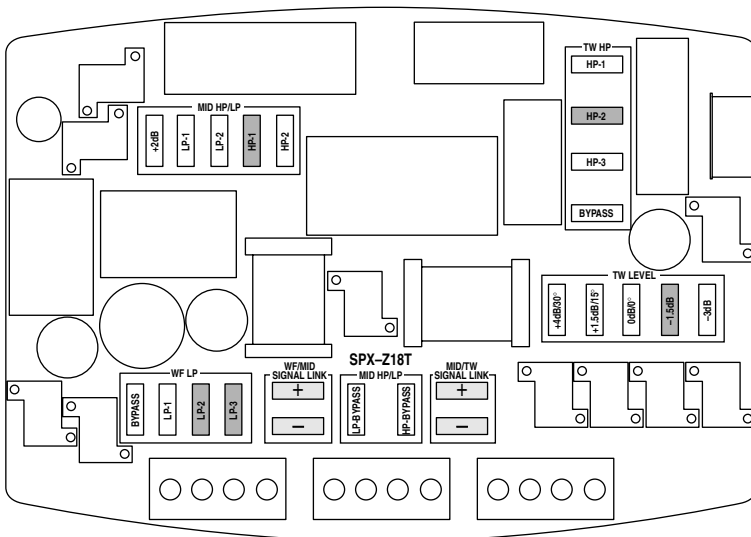
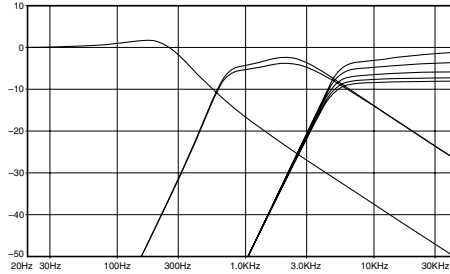
Notes:

- Highlighted tweeter level jumpers are the recommended settings for each configuration, but user adjustment may be desirable.
- Transfer function simulations only illustrate the effect of the filter upon the input signal, and therefore do not represent the actual frequency response of the system.
- If separate channels of amplification are used (bi-wire or tri-wire mode), the appropriate signal link jumpers must be removed.

System Type 2

Network Jumper Setting

Type-2B: Tweeter and midrange positioning are the same as in Type-2A, but the woofer is located farther forward. This results in a more extreme woofer listening angle of approximately 70° , with a delay of 28cm relative to the mid. Subsequently, level attenuation is applied to both the tweeter and mid while also adjusting filter characteristics appropriately for the mid/woofer transition. In this case, changing the midrange high-pass to a low Q 3rd order and the woofer low-pass to very high Q 2nd order results in an acoustic crossover point of 500Hz.



Notes:

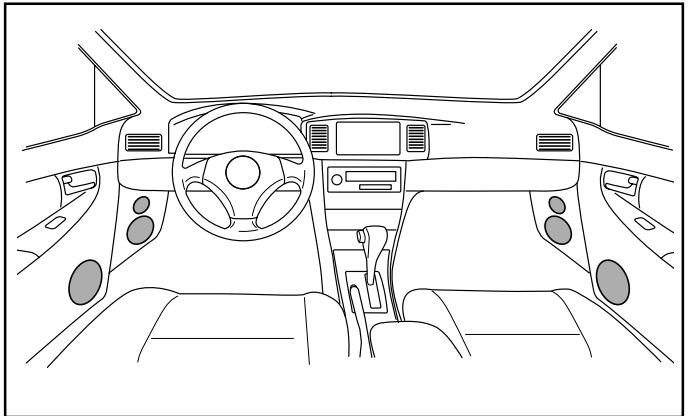
- Highlighted tweeter level jumpers are the recommended settings for each configuration, but user adjustment may be desirable.
- Transfer function simulations only illustrate the effect of the filter upon the input signal, and therefore do not represent the actual frequency response of the system.
- If separate channels of amplification are used (bi-wire or tri-wire mode), the appropriate signal link jumpers must be removed.

System Type 3

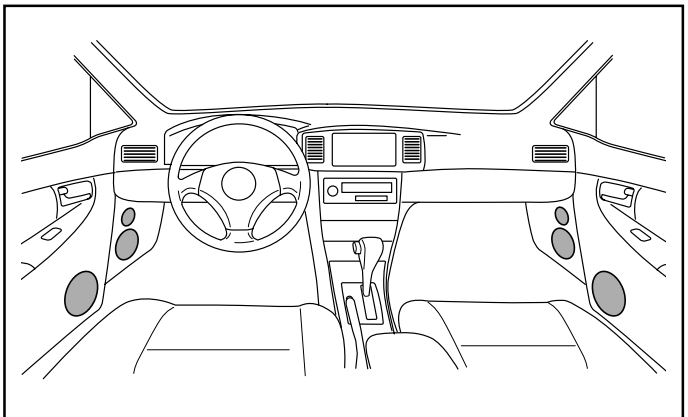
System Description

Although the midrange and tweeter are mounted close together in this case, space limitations, aesthetics or practicality requires that the woofer be mounted separately. Utilizing the kick panel and door locations is the most common method, though it is certainly not the only one. What is most significant, is that by mounting the midrange and tweeter in close proximity with a minimized off-axis angle at the greatest distance possible, it provides one of the best arrangements for optimum imaging in the vehicle. Since there are varying degrees of axis and pathlength that will be achievable in some installations, two basic configurations are provided to accommodate the most common cases. Keep in mind that the network tuning described below considers the best balance between driver and passenger listening positions, so all distances and angles are referenced to the nearest side.

- **Type-3A** assumes that both the midrange and tweeter are mounted close together in the same plane, and therefore relatively on-axis and equidistant to the listener.



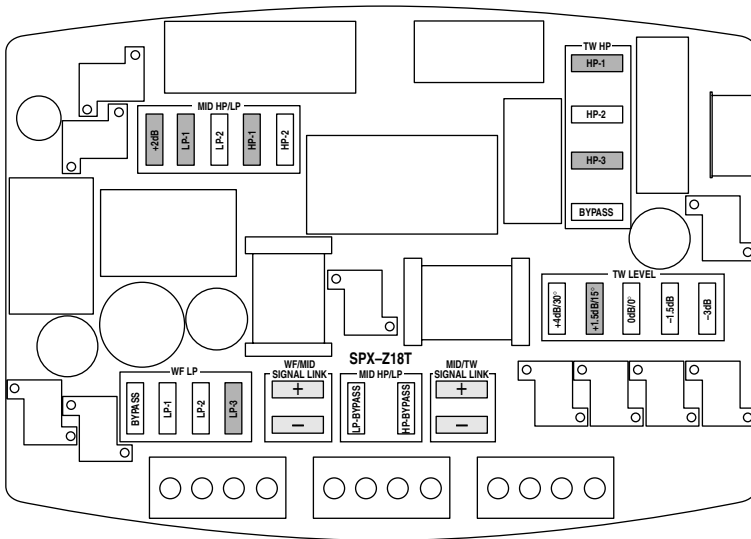
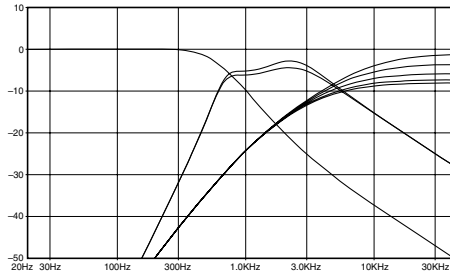
- **Type-3B** takes into consideration that the tweeter and midrange are mounted basically flush to the panel with little or no build out. This results in both an off-axis condition and a difference in pathlength.



System Type 3

Network Jumper Setting

Type-3A: Both midrange and tweeter are at the same distance and angle, while the woofer position is closer and fairly off-axis to the listening position. Therefore, the acoustic center of the woofer is considered to be the closest driver by approximately 18.5cm. In order to minimize overlap while maintaining phase coherence between the mid and woofer, a 3rd order high-pass and semi-2nd order low-pass are applied, resulting in a summation point of 600Hz. Since the tweeter and midrange are farther away, minimal delay and some level adjustment are desirable, utilizing a low Q semi-2nd order high-pass on the tweeter and a 1st order low-pass on the mid for a resultant acoustic crossover point of 3.8KHz.



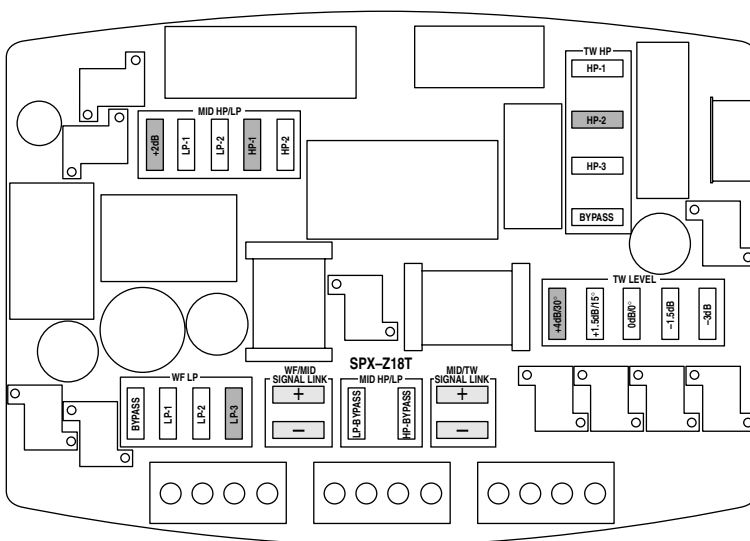
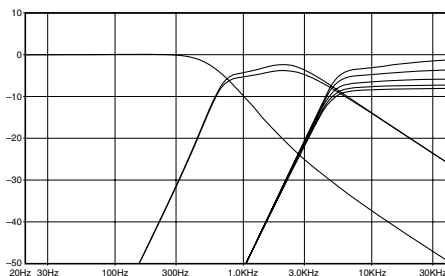
Notes:

- Highlighted tweeter level jumpers are the recommended settings for each configuration, but user adjustment may be desirable.
- Transfer function simulations only illustrate the effect of the filter upon the input signal, and therefore do not represent the actual frequency response of the system.
- If separate channels of amplification are used (bi-wire or tri-wire mode), the appropriate signal link jumpers must be removed.

Network Jumper Setting

Type-3B: Despite the fact that the midrange and tweeter are mounted in the same plane and in close proximity, their orientation results in the acoustic center of the midrange being farther away. Therefore, the midrange is considered to be 8.5cm farther than the tweeter, while the woofer is approximately 25cm closer than the midrange.

For the upper crossover point, a relatively low Q 3rd order high-pass filter is employed on the tweeter in conjunction with a semi-1st order low pass on the mid. Then for the midrange to woofer transition, a 3rd order high-pass on the mid integrates well with a semi-2nd order low-pass on the woofer. Together, these filter combinations result in acoustic crossover points of 3.8kHz and 600Hz.



Notes:

- Highlighted tweeter level jumpers are the recommended settings for each configuration, but user adjustment may be desirable.
- Transfer function simulations only illustrate the effect of the filter upon the input signal, and therefore do not represent the actual frequency response of the system.
- If separate channels of amplification are used (bi-wire or tri-wire mode), the appropriate signal link jumpers must be removed.

System Type 4

System Description

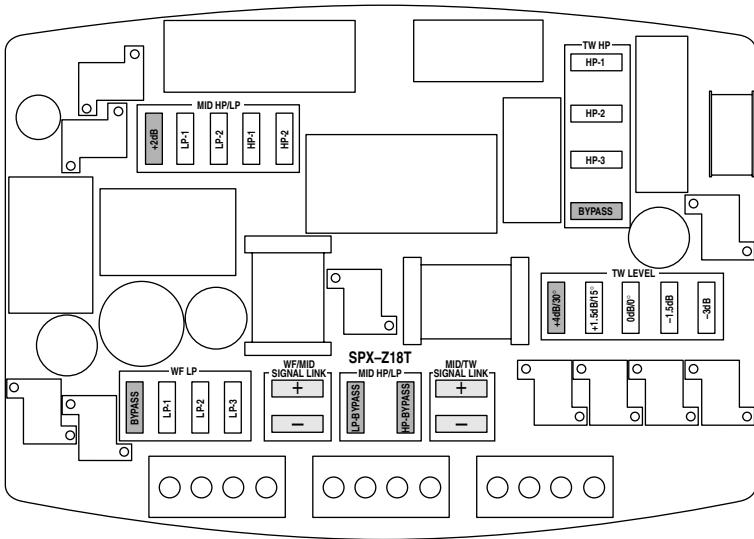
In this system type, some level of external signal processing is available, allowing use of the network in a partially active mode. Although speakers may be mounted in a wide variety locations in this case, it is recommended that traditional techniques be used regarding both positioning and placement.

Fully active systems have often been considered to be the most flexible, but they are certainly not the most effective or practical in all cases. While it is usually considered best to have individual channels of amplification for each driver, it may not always be appropriate to use the electronic crossover that is included with many amplifiers today. This can be especially true for systems where optimum placement or tuning is not possible, as it may be advantageous to use this network for its various phase correction and response compensation capabilities. Additionally, digital time correction can be a complimentary solution to correct for left/right seating position bias, while leaving the network in place to achieve phase linkage between the woofer, midrange and tweeter. The only situation where the network might not be used at all, is in a fully active system with individual channels of amplification, equalization and time correction available for each driver.

There are essentially three ways to use the network in a partially active mode:

- 1) Use all functions of the network appropriate for the installation type, but engage an electronic high-pass on the woofer for increased power handling (usually recommended in systems with subwoofers).
- 2) If only a limited number of channels or coarse adjustment of digital time correction is available, use it to compensate for basic left/right seating position bias while using the appropriate network setting to achieve phase linkage between individual drivers.
- 3) Bypass particular high-pass or low-pass section of the network in favor of an electronic crossover, still utilizing the phase and response adjustments of the others.

Network Jumper Setting



Notes:

- The +4dB/30° setting in the TW LEVEL jumper group bypasses all resistors in the tweeter section.
- If separate channels of amplification are used (bi-wire or tri-wire mode), the appropriate signal link jumpers must be removed.

Introduction au circuit répartiteur

Tout le monde sait que l'intérieur d'une voiture n'est pas l'environnement le plus hospitalier pour le son haute fidélité, et que chaque véhicule possède ses propres défis d'installation et d'acoustique. Alors que la plupart des problèmes peuvent être surmontés grâce à un placement adéquat des enceintes, grâce à l'égalisation ou à d'autres techniques, cela prend du temps et aucun résultat n'est garanti. Cependant, avec tous ces outils et ces méthodes disponibles, il est surprenant de s'apercevoir que l'outil de syntonisation le plus puissant a été incompris ou négligé depuis si longtemps. C'est pour cette raison qu'Alpine a développé le concept de circuit répartiteur le plus avancé de l'histoire de l'audio automobile.

Bonne part de la différence entre les performances sur panneau de démonstration et celles en voiture peut être attribuée au fait que les circuits séparateurs de fréquences ont généralement été réglés pour une seule application spécifique – habituellement le panneau de démonstration. Cependant, si l'on ne tient pas compte des installations typiques du monde réel, la transition entre les amplificateurs et la réponse de fréquence résultante est dégradée pour la majorité des véhicules auxquels les installateurs sont confrontés aujourd'hui. Néanmoins, grâce au concept unique Alpine de Circuit asymétrique, il est maintenant possible d'optimiser les performances pour de nombreuses installations en modifiant intentionnellement différentes caractéristiques de filtre. En créant une condition "en phase" entre les amplificateurs dans la gamme de fréquence de chevauchement en position d'écoute, on peut réduire considérablement ou éliminer complètement le marbrage d'image, les aberrations de réponse et d'autres problèmes typiques. Cette technique de "liaison de phase" peut être considérée comme une sorte de correction passive de l'alignement de temps dans la zone de croisement.

Avec l'introduction par Alpine de technologies de traitement révolutionnaires telles que la correction numérique de l'alignement du temps et l'égaliseur adaptatif, tout cela peut sembler superflu. Cependant, malheureusement, ce genre de traitement peut augmenter de manière significative la complexité du système et peut donc ne pas s'adapter à toutes les situations. De plus, si l'on ne fait pas attention lors de l'utilisation de la correction de l'alignement du temps pour chaque enceinte du système, des problèmes d'intégration peuvent demeurer entre elles. Par conséquent, il peut être avantageux d'utiliser ce genre de traitement pour compenser la polarisation de la position assise en conjonction avec la correction de phase du circuit passif pour la transition entre les différents amplificateurs. Pour dire les choses simplement, la flexibilité du circuit répartiteur de AlpineF#1 Status™ lui permet d'être une solution complémentaire afin d'obtenir les meilleurs résultats des deux mondes, tant comme solution indépendante que comme composant intégral d'un système partiellement actif.

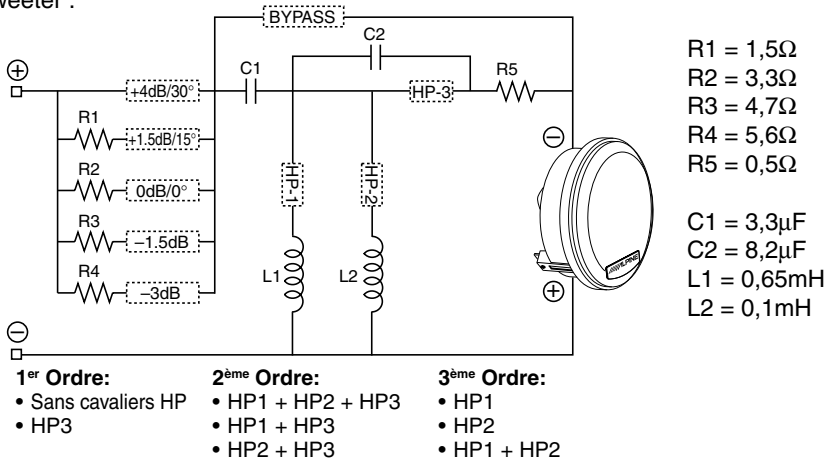
Comme avec tous les produit AlpineF#1 Status™, c'est le souci du moindre détail qui assure réellement des performances excellentes... ou en un mot, MicroDynamics™. Des cônes en fibre de bois croisée revêtues à la main aux structures du moteur d'entraînement symétrique, rien n'est laissé au hasard. Cette philosophie est respectée dans tous les aspects du système d'enceintes SPX-Z18T, y-compris les composants, le lay-out et la conception du circuit répartiteur. Tous les condensateurs en série sont en polypropylène métallisé de la meilleure qualité et toutes les bobines d'induction en série sont à noyau à air grosse épaisseur. Même les bobines d'induction en parallèle sont fabriquées avec un noyau en poudre, afin de maximiser la constance et la qualité du son. Tous les éléments sont placés intentionnellement de telle sorte que tout risque d'influence magnétique ou thermique soit minimisé, et toutes les longues voies des chemins de signal sont minimisées à l'aide de pistes de carte de circuit imprimé très épaisses. Pour conclure, ce niveau de qualité et cette attention du détail n'a qu'un objectif, amener une fois pour toutes un véritable réalisme sonore à l'intérieur des voitures.

Fonction de groupe cavalier

Bien que les recommandations des pages qui suivent soient destinées aux types de système les plus communs, il y a en fait plus de 1000 combinaisons de cavaliers différentes et pratiques, disponibles pour une grande variété de véhicules, d'installations et de goûts personnels. Bien que cette flexibilité possède des avantages évidents, un si grand choix peut également mener à la confusion. Il est donc utile de comprendre la fonction de chaque groupe cavalier afin de régler le circuit de manière plus efficace :

TW-HP:

En plus de fonctionner comme un filtre passe-haut, cette section procure également les réglages nécessaires pour obtenir une bonne intégration du haut-parleur médial. La transition entre ces deux amplificateurs dans les domaines de la fréquence et du temps est essentielle pour la performance d'ensemble du système multi-éléments car elle a un effet direct sur l'image, mise en scène, focalisation et équilibre des nuances. Dans des installations réelles, la distance et l'angle des deux amplificateurs par rapport à la personne qui écoute, leur proximité l'un par rapport à l'autre, et bien évidemment l'intérieur du véhicule exercent une influence supplémentaire. Pour anticiper cela, des modifications de la pente du filtre, du coefficient Q, de la fréquence de coupure et de la variation de phase en résultant peuvent être fournies de manière à obtenir une "liaison de phase" et une combinaison transparente. En guise de référence générale, voici un résumé de la disposition et des types de filtres disponibles pour la section passe-haut du tweeter :



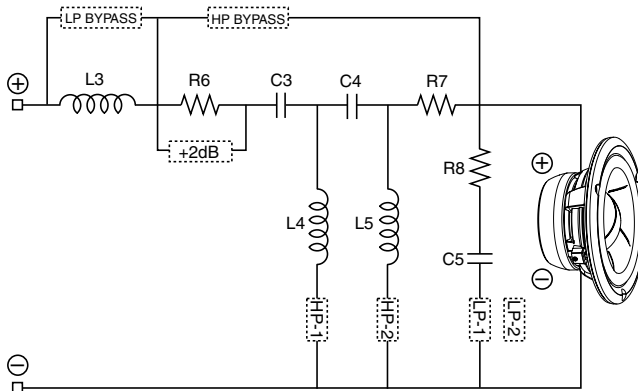
TW LEVEL:

En général, cette section permet un réglage de niveau précis pour un résultat optimal ou le respect de goûts personnels. Cependant, elle permet également le "basculement" de la réponse de fréquence du filtre afin de compenser la pente naturelle de la haute fréquence liée aux angles d'écoute situés en dehors de l'axe principal. En d'autres mots, ce choix de cavalier aura un effet spécifique à la fois sur Q et la fréquence de coupure des différentes combinaisons de filtre montrées ci-dessus. Cet effet peut être observé dans les graphiques de fonction du transfert de filtre pour les différents types de système. Si la section TW-HP est réglée pour se court-circuiter en faveur d'un répartiteur électronique, la fonction hors-axe ne fonctionnera plus, mais le réglage de niveau de base sera toujours possible.

MID HP/LP:

Cette section fonctionnant comme un filtre passe-bande sélectionnable pour le haut-parleur médial, son effet de réseau est naturellement lié aux sélections faites dans les sections du filtre passe-haut du tweeter et du filtre passe-bas du woofer. Pour effectuer la combinaison ayant la meilleure phase cohérente et la plus transparente, il faut contrôler la quantité de déplacement de phase inhérente de chaque filtre et cette combinaison est directement liée à la sélection de l'ordre du filtre, du coefficient Q et de la fréquence de coupure. Ici aussi, cette relation est affectée par la distance et l'angle de chaque amplificateur par rapport à la personne qui écoute et leur proximité l'un par rapport à l'autre.

Puisque le centre acoustique du haut-parleur médial sera plus loin vers l'arrière que le tweeter dans presque toutes les applications, un retard minimum est désirable dans le filtre passe-bas du haut-parleur médial. Par conséquent, ce filtre est d'ordre bas et laisse une bonne part de la capacité de réglage pour la transition du médial/tweeter à la section passe-haut du tweeter. Pour le filtre passe-haut du haut-parleur médial, des configurations d'ordre plus élevées sont utilisées dans la plupart des applications afin d'obtenir une liaison de phase avec le woofer (voir la section WF-LP). En guise de référence générale, les configurations de réseau du haut-parleur médial sont énumérées plus bas. Dans certaines installations où le positionnement ou le placement nécessite un réglage de niveau, un cavalier est fourni pour augmenter la sortie du haut-parleur médial d'environ +2dB. Remarque supplémentaire : chacun des deux filtres (passe-haut ou passe-bas) peut être évité indépendamment pour des applications semi-actives.



$R6 = 1,0\Omega$
 $R7 = 1,0\Omega$
 $R8 = 22\Omega$

$C3 = 18\mu\text{F}$
 $C4 = 33\mu\text{F}$
 $C5 = 10\mu\text{F}$
 $L3 = 0,32\text{mH}$
 $L4 = 2,0\text{mH}$
 $L5 = 2,9\text{mH}$

HP 1^{er} Ordre:

- Sans cavaliers HP
- HP2 (semi-2^{ème} Ordre)

HP 2^{ème} Ordre:

- HP1

HP 3^{ème} Ordre:

- HP1 + HP2

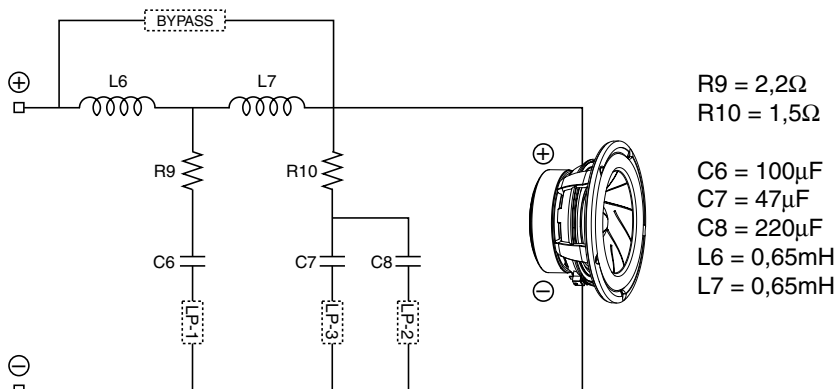
LP 1^{er} Ordre:

- LP1
- LP2

Fonction de groupe cavalier

WF-LP:

Lorsqu'elle fonctionne comme un filtre passe-bas pour le woofer, cette section offre également un grand degré de réglages pour l'optimisation des performances et de l'intégration du système. Puisqu'il est souvent difficile de placer le woofer et le haut-parleur médial près l'un de l'autre ou à des distances égales, il est difficile d'obtenir une liaison de phase entre eux pour éviter la localisation, le marbrage d'image, la pauvreté de mise en scène, etc. De plus, les dimensions intérieures d'un véhicule sont généralement proches de la longueur d'onde de la zone de croisement du woofer/haut-parleur médial, et il peut donc être nécessaire de minimiser le chevauchement afin de réduire les risques de générer un champ acoustique d'élimination complexe ou des aberrations de réponse. C'est pourquoi une variété de types et de caractéristiques de filtre d'ordre plus élevé est fournie dans cette section, ce qui permet de lier les deux amplificateurs en phase relative pour assurer une transition douce dans de nombreuses applications. Encore une fois, il est important de remarquer que les sélections faites dans les sections WF-LP et MID-HP produisent un effet de réseau et doivent être réglées de telle sorte qu'elles fonctionnent ensemble. En guise de référence générale, les configurations du filtre passe-bas du woofer disponibles sont énumérées plus bas.



1^{er} Ordre:

- Sans cavaliers HP

2^{ème} Ordre:

- LP2 + HP3
- LP3
- LP2 + LP3

3^{ème} Ordre:

- LP1

4^{ème} Ordre:

- LP1 + LP2
- LP1 + LP3
- LP1 + LP2 + LP3

SIGNAL LINK:

Les cavaliers de liaison de signal permettent une connexion en parallèle entre les côtés d'entrée des blocs de bornes, ce qui élimine la nécessité d'utiliser des bornes ou des câblages supplémentaires lors de l'utilisation d'une entrée simple ou double.

Attention :

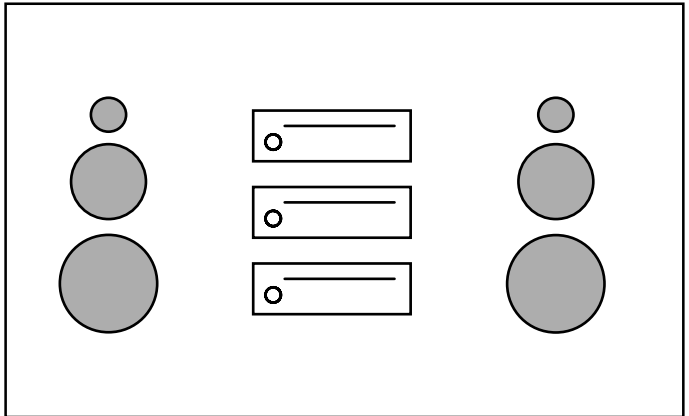
Ces cavaliers doivent être retirés lorsque l'on utilise une configuration à deux amplis ou trois amplis pour éviter d'endommager les amplificateurs.

Type de système 1

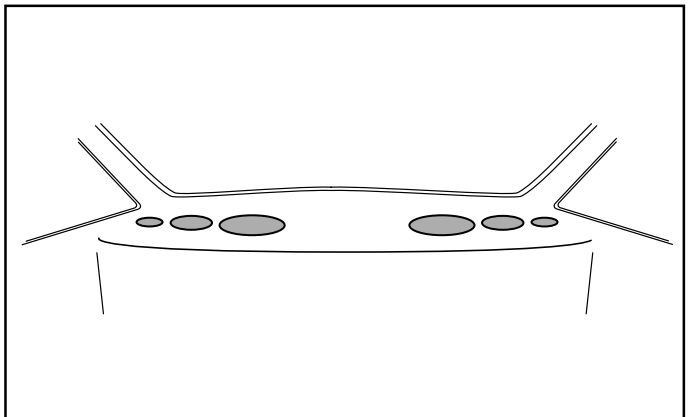
Description du système

Lorsque les trois amplificateurs sont montés proches les uns des autres et à égale distance de la position d'écoute, il s'agit certainement de la configuration la plus favorable pour un système. Bien que ce type d'installation ne soit pas souvent pratique si ce n'est sur le panneau de démonstration, elle est certainement possible étant donné les techniques de fabrication personnalisées disponibles de nos jours. Pour anticiper cela, un degré de tolérance est intégré aux réglages décrits ci-dessous pour les cas les plus probables bien qu'une expérimentation puisse être nécessaire si toutes les conditions ne peuvent pas être respectées. Si l'on choisit d'aller au-delà des paramètres recommandés ou d'utiliser le circuit dans un mode partiellement actif, il faut garder à l'esprit le fait que la cohérence de phase et la transparence de combinaison demeurent les éléments les plus importants même dans le cas d'enceinte transparente, car chaque type d'amplificateur offre des caractéristiques de phase et de retard de groupe uniques.

- **Type-1A** est le réglage par défaut du circuit, et comporte essentiellement un positionnement dans l'axe principal avec une longueur de chemin égale de tous les amplificateurs à la position d'écoute.



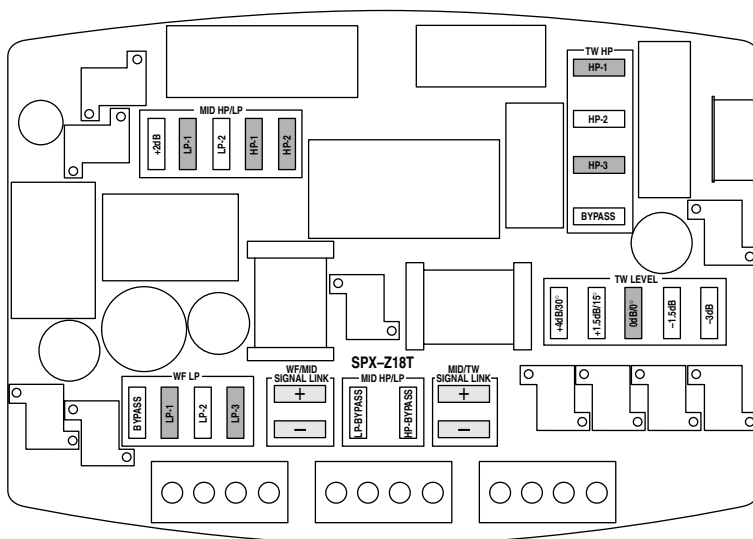
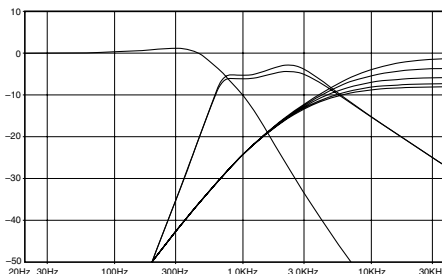
- **Type-1B** est destiné aux cas où la longueur de chemin est presque la même pour tous les amplificateurs, mais où la position de montage crée un angle d'écoute qui se trouve considérablement en dehors de l'axe.



Type de système 1

Réglage du cavalier du circuit

Type-1A : La longueur de chemin jusqu'à la position d'écoute est supposée à peu près identique dans ce cas (2-3 m idéalement), avec un positionnement dans l'axe de tous les amplificateurs. La liaison de phase est accomplie par un filtre passe-haut 2^{ème} ordre avec coefficient Q faible sur le tweeter, un filtre passe-bas de 1^{er} Ordre et un filtre passe-haut de 4^{ème} Ordre sur le haut-parleur médial et un filtre passe-bas de semi-4^{ème} Ordre sur le woofer. Les résultats sont des points de croisement acoustiques de 3,8kHz et 700Hz respectivement.

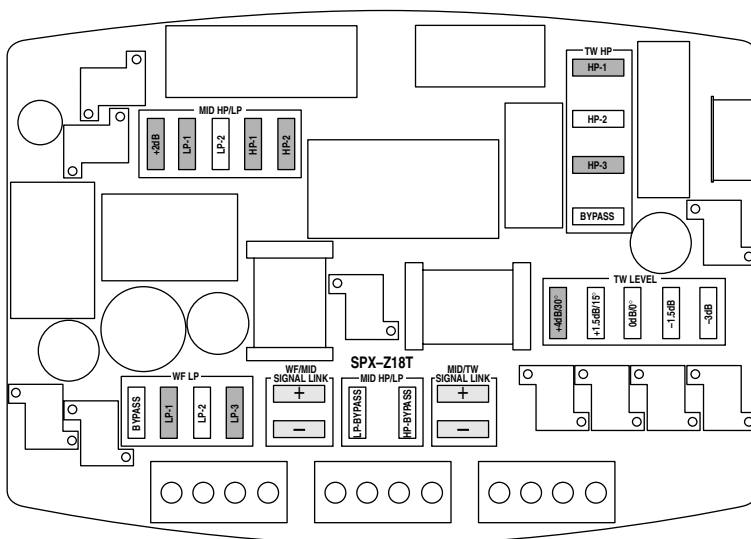
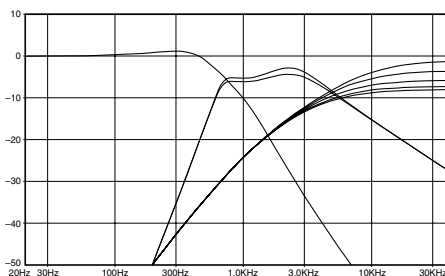


Remarques :

- Les cavaliers de niveau du tweeter surlignés sont les réglages recommandés pour chaque configuration, mais il est possible de désirer un réglage utilisateur.
- Les simulations de fonction de transfert illustrent uniquement l'effet du filtre sur le signal d'entrée et ne représentent donc pas la véritable réponse de fréquence du système.
- Si l'on utilise des canaux d'amplification séparés (mode deux ou trois fils), les cavaliers de liaison de signal appropriés doivent être retirés.

Réglage du cavalier du circuit

Type-1B : Tandis que la configuration de montage est la même que pour le Type-1A, ce type de circuit fournit une variation pour les cas où les goûts personnels, la position ou l'acoustique du véhicule nécessitent une plus grande sortie haute fréquence depuis le haut-parleur médial et le tweeter. L'installation sur la plage arrière est un exemple particulier où le positionnement très en dehors de l'axe nécessitera ce type de compensation de niveau à cause de la pente naturelle. Bien que cela entraîne également un retard supplémentaire du woofer, cela n'a pas d'influence significative dans ce cas. Les points de croisement acoustiques en résultant sont les mêmes que plus haut.



Remarques :

- Les cavaliers de niveau du tweeter surlignés sont les réglages recommandés pour chaque configuration, mais il est possible de désirer un réglage utilisateur.
- Les simulations de fonction de transfert illustrent uniquement l'effet du filtre sur le signal d'entrée et ne représentent donc pas la véritable réponse de fréquence du système.
- Si l'on utilise des canaux d'amplification séparés (mode deux ou trois fils), les cavaliers de liaison de signal appropriés doivent être retirés.

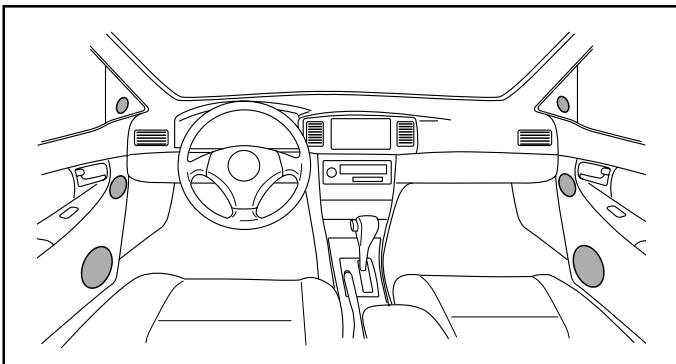
Type de système 2

Description du système

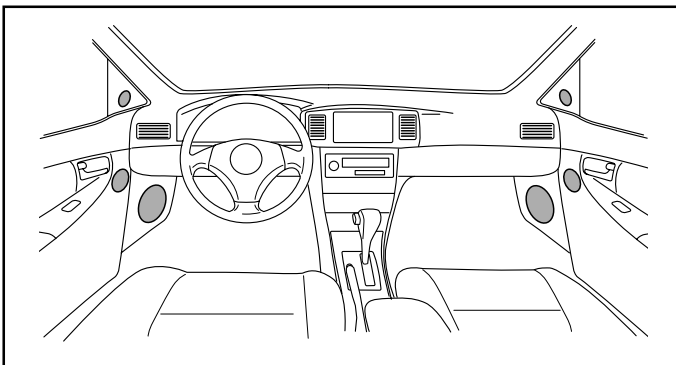
Etant l'une des applications les plus communes, ce type d'installation est celui qui a le plus de chances d'être utilisée lors du positionnement d'enceintes en usine, dans une certaine mesure, et cela demande alors moins de fabrication personnalisée. Cependant, à cause de l'arrangement de montage et de l'orientation de la surface, cela entraîne également des différences considérables de distance et d'angle des trois amplificateurs par rapport à la position d'écoute. Afin d'optimiser les performances dans ce cas, il est particulièrement important de lier chaque amplificateur aux autres en phase relative à travers les zones de croisement de transition, tout en tenant compte des effets de la réponse de fréquence des différents angles de déviation par rapport à l'axe de chaque amplificateur. Deux configurations du circuit sont fournies pour les variantes les plus typiques de ce type d'installation, chacune d'entre elles utilisant une correction de phase et une compensation de réponse spécifiques. Une fois encore, veuillez remarquer que le réglage des paramètres ci-dessous prend en compte le meilleur équilibre entre la position de l'amplificateur et la position d'écoute du passager, de telle sorte que toutes les distances et angles font donc référence au côté le plus proche.

Il est également intéressant de remarquer le fait que les longueurs de chemin du côté proche les plus courtes jusqu'au haut-parleur médial et au tweeter entraîneront une polarisation de la position assise plus importante qu'avec d'autres types d'installation. Alors qu'il est possible de régler chaque circuit individuellement afin d'effectuer un réglage spécifique pour une position d'écoute, il sera souvent plus avantageux d'utiliser, si elle est disponible, une correction d'alignement du temps de base pour corriger cette différence de longueur de chemin gauche/droite. En général cependant, un positionnement élevé du tweeter est supposé être avantageux pour l'amélioration de la hauteur et largeur perçue de l'étage audio, ainsi que pour obtenir un niveau de sortie haute fréquence puissant.

- **Type-2A** suppose que tous les amplificateurs sont montés au même niveau que le tableau de bord sur une surface essentiellement plane et verticale telle que la porte, ce qui implique différents degrés à la fois d'axe et de distance entre chaque amplificateur et la personne qui écoute.

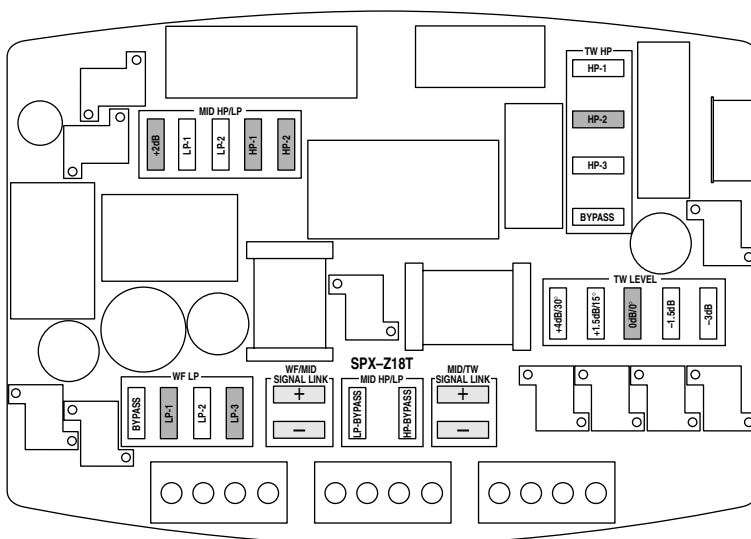
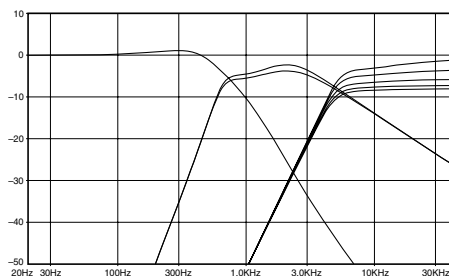


- **Type-2B** est à peu près le même que ci-dessus, mais le woofer est légèrement plus loin que d'habitude. Cela conviendra à différents types de véhicule ainsi qu'au montage du woofer sur le carton d'auvent.



Réglage du cavalier du circuit

Type-2A : Dans ce cas, pour le tweeter, la longueur du chemin depuis la position d'écoute est de 85cm, à environ 15-20° en dehors de l'axe principal. Situé à une distance verticale modérée en dessous du tweeter et sur le même plan que le tableau de bord, le haut-parleur médial est 8,5 cm plus loin et présente un angle d'écoute d'environ 40-50°. A cause de la position du woofer en bas de la portière, l'angle d'écoute pour le woofer est proche de 60° en dehors de l'axe principal, avec un centre acoustique 8 cm plus loin que le haut-parleur médial. Pour la transition tweeter/haut-parleur médial, un filtre passe haut de 3^{ème} ordre et un filtre passe-bas de semi-1^{er} ordre avec niveau augmenté sur le haut-parleur médial sont engagés, ce qui entraîne un point de croisement de 4kHz. Une intégration optimale entre le woofer et le haut-parleur médial est ensuite obtenue grâce à un filtre passe-haut de 4^{ème} ordre et un filtre passe-bas à 700Hz.



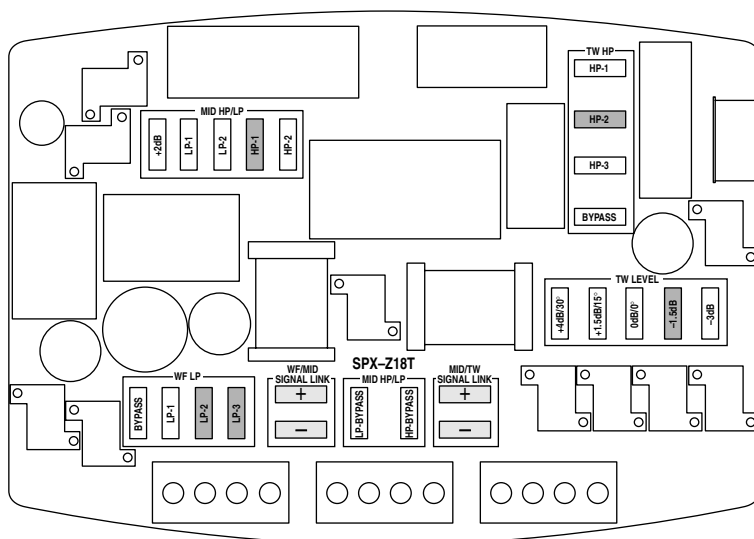
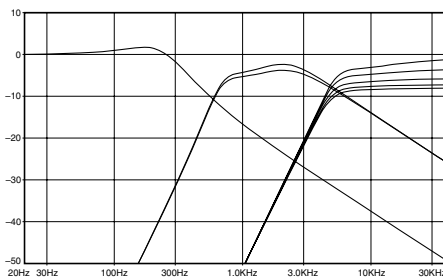
Remarques :

- Les cavaliers de niveau du tweeter surlignés sont les réglages recommandés pour chaque configuration, mais il est possible de désirer un réglage utilisateur.
- Les simulations de fonction de transfert illustrent uniquement l'effet du filtre sur le signal d'entrée et ne représentent donc pas la véritable réponse de fréquence du système.
- Si l'on utilise des canaux d'amplification séparés (mode deux ou trois fils), les cavaliers de liaison de signal appropriés doivent être retirés.

Type de système 2

Réglage du cavalier du circuit

Type-2B : La position du tweeter et du haut-parleur médial est la même que dans le Type-2A, mais le woofer est situé plus loin vers l'avant. Cela entraîne un angle d'écoute du woofer plus extrême d'environ 70°, avec un retard de 28cm par rapport au haut-parleur médial. Par conséquent, l'atténuation de niveau est appliquée à la fois au tweeter et au haut-parleur médial tandis que les caractéristiques du filtre sont également réglées de manière appropriée pour la transition haut-parleur médial/woofer. Dans ce cas, le fait de faire passer le filtre passe-haut du haut-parleur médial à un filtre de 3^{ème} ordre à faible coefficient Q et le filtre passe-bas du woofer à un filtre de 2^{ème} ordre à coefficient Q très élevé entraîne un point de croisement acoustique de 500 Hz.



Remarques :

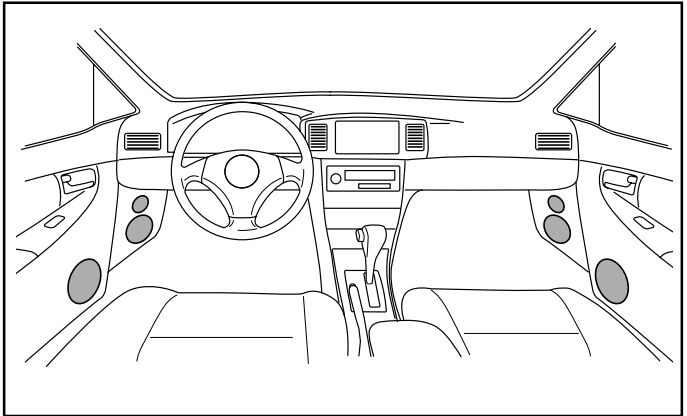
- Les cavaliers de niveau du tweeter surlignés sont les réglages recommandés pour chaque configuration, mais il est possible de désirer un réglage utilisateur.
- Les simulations de fonction de transfert illustrent uniquement l'effet du filtre sur le signal d'entrée et ne représentent donc pas la véritable réponse de fréquence du système.
- Si l'on utilise des canaux d'amplification séparés (mode deux ou trois fils), les cavaliers de liaison de signal appropriés doivent être retirés.

Type de système 3

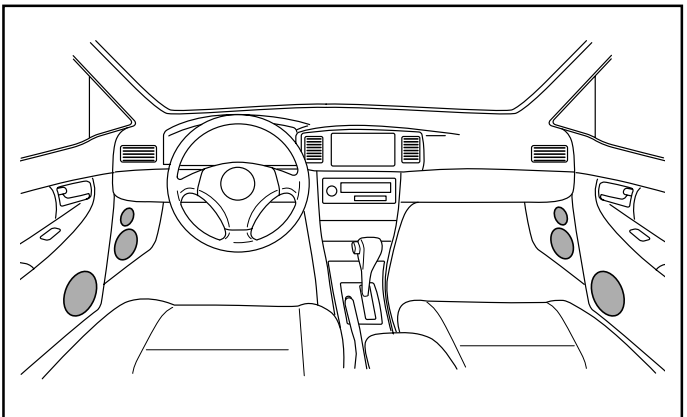
Description du système

Bien que le haut-parleur médial et le tweeter soient montés proches l'un de l'autre dans ce cas, les contraintes d'espace, l'esthétique et l'aspect pratique requièrent que le woofer soit monté séparément. Le panneau d'auvent et les portes sont les endroits de montage les plus courants mais ce ne sont certainement pas les seules. Ce qui est le plus significatif est que, en montant le haut-parleur médial et le tweeter à proximité l'un de l'autre avec un angle d'écartement de l'axe de la position d'écoute minimisé, on obtient l'installation la meilleure pour obtenir un réglage d'image optimal à l'intérieur du véhicule. Puisque qu'il existe différents degrés d'axe et de longueur de chemin qui pourront être obtenus dans certaines installations, deux configurations de base sont fournies pour satisfaire les cas les plus communs. Gardez bien à l'esprit le fait que la configuration de circuit décrite ci-dessous prend en compte le meilleur équilibre entre la position de l'amplificateur et la position d'écoute du passager, de telle sorte que toutes les distances et angles font donc référence au côté le plus proche.

- **Type-3A** comporte un montage du haut-parleur médial et du tweeter proches l'un de l'autre et sur le même plan, et donc relativement dans l'axe et à égale distance de la personne qui écoute.



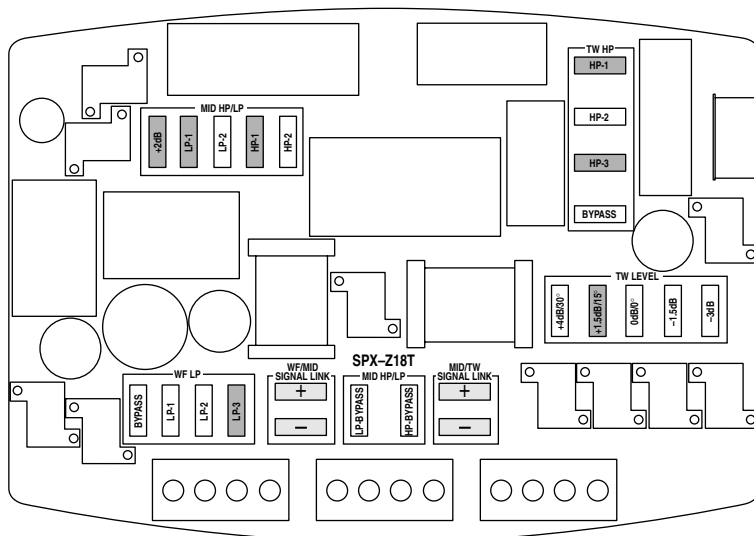
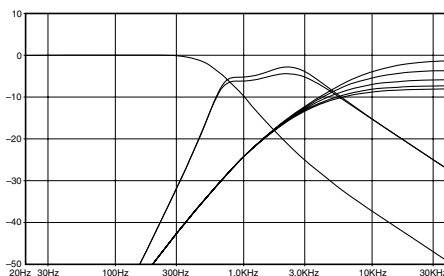
- **Type-3B** considère que le tweeter et le haut-parleur médial sont en fait montés au même niveau que le tableau de bord et avec peu ou pas de saillie. Cela entraîne à la fois une condition en dehors de l'axe et une différence de longueur de chemin.



Type de système 3

Réglage du cavalier du circuit

Type-3A : Le haut-parleur médial et le tweeter sont à la même distance et au même angle tandis que le woofer est situé plus près et assez en dehors de l'axe de la position d'écoute. C'est pourquoi le centre acoustique du woofer est considéré comme étant l'amplificateur le plus proche à environ 18,5 cm. Afin de minimiser le chevauchement tout en maintenant la cohérence de phase entre le haut-parleur médial et le woofer, un filtre passe-haut de 3^{ème} ordre et un filtre passe-bas de semi-2^{ème} ordre sont appliqués, ce qui entraîne un point de croisement de 600 Hz. Puisque le tweeter et le haut-parleur médial sont plus loin, un retard minimal et un réglage du niveau sont désirables, en utilisant un filtre passe-haut de semi-2^{ème} ordre à faible coefficient Q sur le tweeter et un filtre passe-bas de 1^{er} ordre sur le haut-parleur médial pour obtenir un point de croisement acoustique de 3,8KHz.



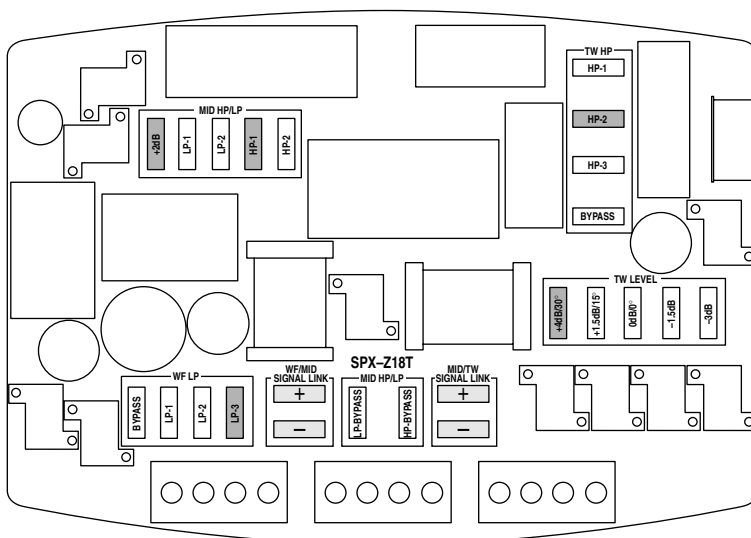
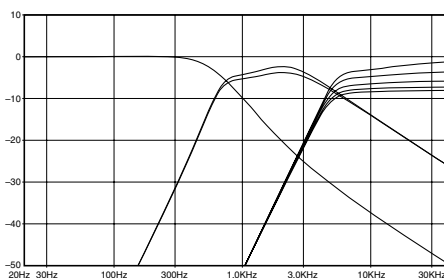
Remarques :

- Les cavaliers de niveau du tweeter surlignés sont les réglages recommandés pour chaque configuration, mais il est possible de désirer un réglage utilisateur.
- Les simulations de fonction de transfert illustrent uniquement l'effet du filtre sur le signal d'entrée et ne représentent donc pas la véritable réponse de fréquence du système.
- Si l'on utilise des canaux d'amplification séparés (mode deux ou trois fils), les cavaliers de liaison de signal appropriés doivent être retirés.

Réglage du cavalier du circuit

Type-3B : Malgré le fait que le haut-parleur médial et le tweeter soient montés sur le même plan et à proximité l'un de l'autre, leur orientation fait que le centre acoustique du haut-parleur médial est plus loin. C'est pourquoi il est considéré que le haut-parleur médial est 8,5 cm plus loin que le tweeter, tandis que le woofer est environ 25 cm plus près que le haut-parleur médial.

Pour le point de croisement supérieur, un filtre passe-haut de 3^{ème} ordre avec coefficient Q relativement bas est utilisé sur le tweeter en combinaison avec un filtre passe-bas de semi-1^{er} ordre sur le haut-parleur médial. Ensuite, pour la transition du haut-parleur médial au woofer, un filtre passe-haut de 3^{ème} ordre sur le haut-parleur médial s'intègre bien avec un filtre passe-bas de semi-2^{ème} ordre sur le woofer. Ensemble, ces combinaisons de filtres génèrent des points de croisement acoustique de 3,8kHz et 600Hz.



Remarques :

- Les cavaliers de niveau du tweeter surlignés sont les réglages recommandés pour chaque configuration, mais il est possible de désirer un réglage utilisateur.
- Les simulations de fonction de transfert illustrent uniquement l'effet du filtre sur le signal d'entrée et ne représentent donc pas la véritable réponse de fréquence du système.
- Si l'on utilise des canaux d'amplification séparés (mode deux ou trois fils), les cavaliers de liaison de signal appropriés doivent être retirés.

Type de système 4

Description du système

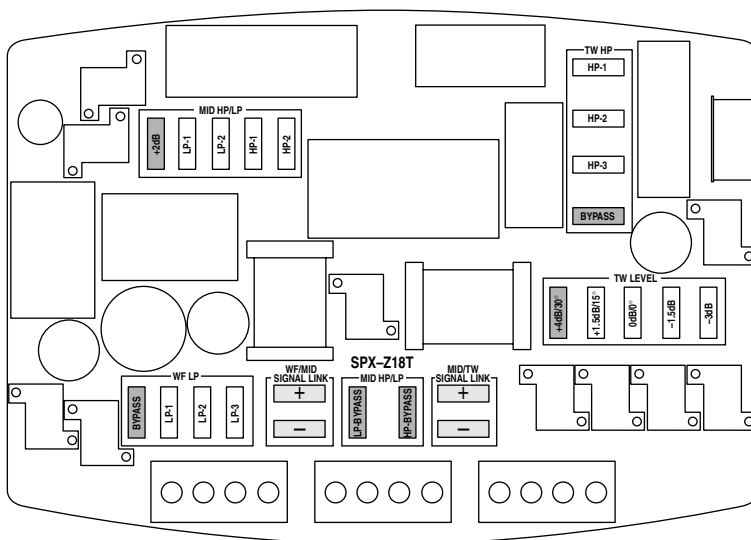
Dans ce type de système, un certain niveau de traitement de signal externe est disponible, ce qui permet l'utilisation du circuit d'une manière partiellement active. Bien que les enceintes puissent être montées à de nombreux endroits, il est recommandé d'utiliser les techniques traditionnelles en ce qui concerne le positionnement et le placement.

Les systèmes complètement actifs ont souvent été considérés comme étant les plus souples, mais ils ne sont certainement pas les plus efficaces ou pratiques dans tous les cas. Tandis qu'il est habituellement considéré comme mieux d'avoir des canaux d'amplification individuels pour chaque amplificateur, il peut ne pas toujours être approprié d'utiliser le répartiteur électronique qui est inclus avec de nombreux amplificateurs aujourd'hui. Cela peut être vrai en particulier pour les systèmes où il n'est pas possible d'obtenir un placement ou une syntonisation optimale, car il peut être avantageux d'utiliser ce circuit pour ses capacités variées de correction de phase et de compensation de réponse. De plus, la correction numérique d'alignement du temps peut être une solution complémentaire pour corriger la polarisation de position assise gauche/droite, en laissant le circuit en place pour effectuer la liaison de phase entre le woofer, le haut-parleur médial et le tweeter. La seule situation où le circuit pourrait ne pas être utilisé du tout est dans un système complètement actif avec des canaux d'amplification individuels, une égalisation et une correction de l'alignement du temps disponibles pour chaque amplificateur.

Il existe essentiellement trois manières d'utiliser le circuit d'une manière particulièrement active :

- 1) Utiliser toutes les fonctions du circuit adaptées au type d'installation mais monter un filtre passe-haut électronique sur le woofer pour avoir une plus grande gestion de puissance (habituellement recommandé dans des systèmes avec subwoofers).
- 2) Si seul un nombre limité de canaux ou un réglage grossier de la correction numérique de l'alignement du temps est disponible, l'utiliser pour compenser la polarisation de base de la position assise gauche/droite, en utilisant le bon circuit pour effectuer la liaison de phase entre les différents amplificateurs.
- 3) Court-circuiter la section passe-haut particulière soit la section passe-bas du circuit en faveur d'un répartiteur électronique, en utilisant toujours les réglages de réponse et de phase des autres.

Réglage du cavalier du circuit

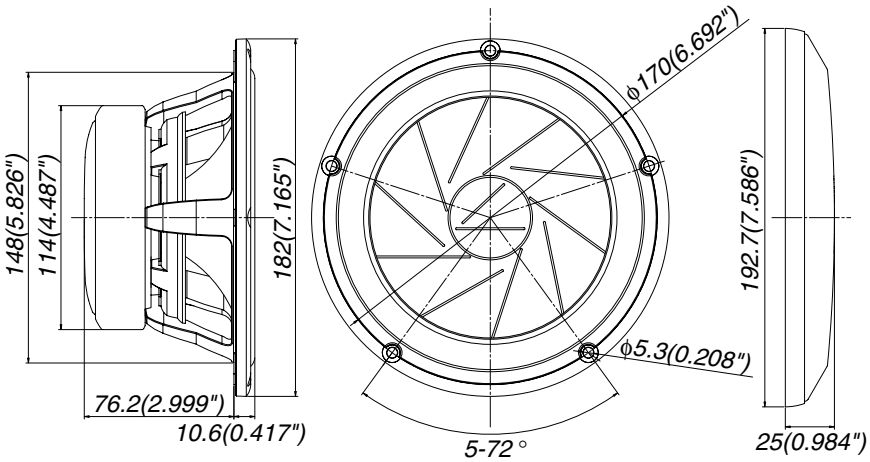


Remarques :

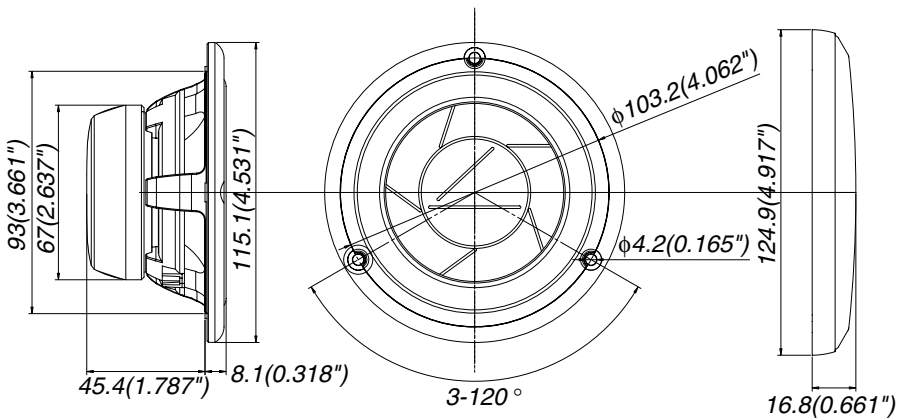
- Le réglage +4dB/30° dans le groupe cavalier TW LEVEL court-circuite tous les résistors dans la section du tweeter.
- Si l'on utilise des canaux d'amplification séparés (mode deux ou trois fils), les cavaliers de liaison de signal appropriés doivent être retirés.

External dimensions / Dimensions externes

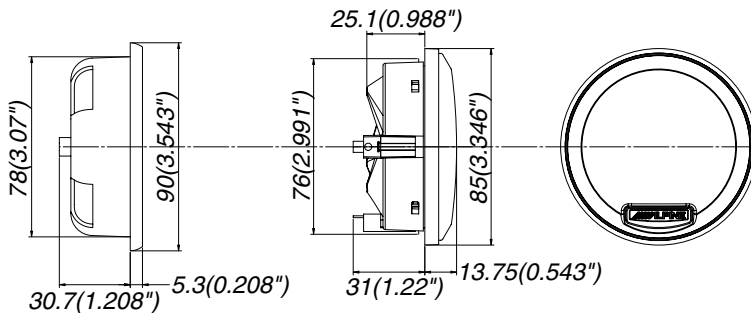
Woofer dimensions/Dimensions du woofer



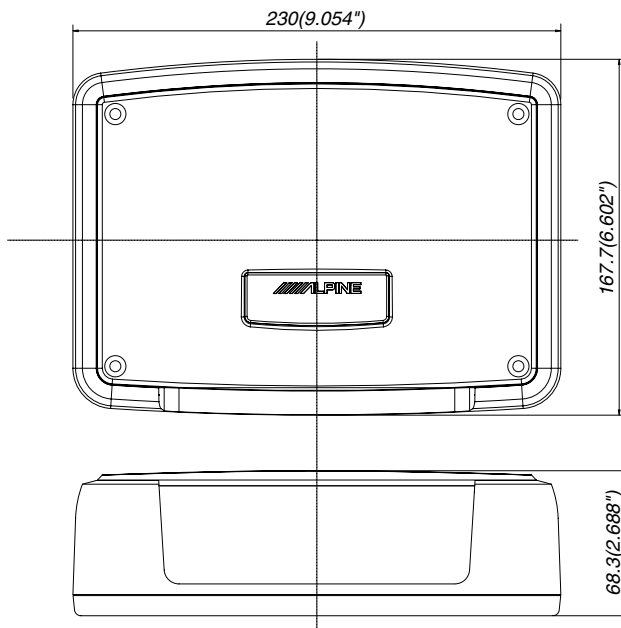
Midrange dimensions/Dimensions du haut-parleur médial



Tweeter dimensions/Dimensions du tweeter



Network dimensions/Dimensions du circuit



Specifications / Spécifications

System

Type	Component 3-way speaker
Power Handling (peak/RMS)	200/50W
Impedance	4 Ω
Frequency Response	35-60 kHz
Net Weight	11 kg

Drivers	Woofers	Midrange	Tweeter
General			
Speaker size	7"(18cm)	4"(10cm)	1-1/2"(39mm)
Power Handling (RMS)	50W	40W(>200Hz)	40W(>5kHz)
Voice Coil Impedance (nom)	4 Ω	4 Ω	4 Ω
Frequency Response (-10dB)	8kHz	15kHz	60kHz
Sensitivity (@ 2.83V/ 1m)	89dB	88dB	94.5dB
Voice Coil Diameter	38mm	38mm	25mm
Linear Excursion (Xmax)	\pm 6.5mm	\pm 3mm	\pm 0.2mm
Mechanical Excursion (p- p)	\pm 11mm	\pm 5mm	\pm 1.6mm
Mechanical			
Frame Material	Aluminium	Aluminium	Aluminium
Magnetic Material	Strontium	Neodymium	Neodymium
Diaphragm Material	Wood Fiber	Wood Fiber	Textile
Diaphragm Shape	Cross-Cut	Cross-Cut	Ring Radiator
Surround Material and Type	Low Loss Rubber	Low Loss Rubber	
Speaker Weight	2000g	550g	400g
Magnet Weight	700g	75g	80g
Magnet System Type	Symmetric Drive		
Depth	76.2mm	45.4mm	25.1mm
Cut- out diameter	148mm	93mm	76mm
Thiele/ Small			
ReDC	3.5 ohm	3.2 ohm	3.0 ohm
Fs	34Hz	72Hz	520Hz
Qts	0.45	0.35	0.32
Qms	5.8	5.5	2.29
Qes	0.48	0.37	0.38
Vas	34ltr.	2.7ltr.	14ml
Sd	150cm ²	52cm ²	5.6cm ²
Le	0.28mH	0.23mH	0.01mH
Cms	1.08mm/N	0.7mm/N	0.3mm/N
Mms	20g	7g	0.3g
Bl	5.6Tm	5.3Tm	2.8Tm
Sealed box			
Recommended Volume (Butterworth)	23ltr.	0.8 ltr.	



ALPINE ELECTRONICS MARKETING, INC.

1-1-8 Nishi Gotanda,
Shinagawa-ku, Tokyo 141-0031, Japan
Phone 03-5496-8231

ALPINE ELECTRONICS OF AMERICA, INC.

19145 Gramercy Place, Torrance,
California 90501, U.S.A.
Phone 1-800-ALPINE-1 (1-800-257-4631)

ALPINE ELECTRONICS OF CANADA, INC.

7300 Warden Ave., Suite 203, Markham,
Ontario L3R 9Z6, Canada
Phone 1-800-ALPINE-1 (1-800-257-4631)

ALPINE ELECTRONICS OF AUSTRALIA PTY. LTD.

6-8 Fiveways Boulevard Keysborough,
Victoria 3173, Australia
Phone 03-9769-0000

ALPINE ELECTRONICS GmbH

Kreuzerkamp 7, 40878 Ratingen, Germany
Phone 02102-4550

ALPINE ELECTRONICS OF U.K. LTD.

Alpine House
Fletchamstead Highway,
Coventry CV4 9TW, U.K.
Phone 0870-33 33 763

ALPINE ELECTRONICS FRANCE S.A.R.L.

(RCS PONTOISE B 338 101 280)
98, Rue de la Belle Etoile, Z.I. Paris
Nord II, B.P. 50016, 95945 Roissy
Charles de Gaulle Cedex, France
Phone 01-48638989

ALPINE ITALIA S.p.A.

Viale C. Colombo 8,
20090 Trezzano Sul Naviglio (MI), Italy
Phone 02-484781

ALPINE ELECTRONICS DE ESPAÑA, S.A.

Portal de Gamarra 36, Pabellón, 32
01013 Vitoria (Alava) - APDO 133, Spain
Phone 945-283588

Team Lynderup
Brogaardsvej 10, Postboks 2
6920 Videbaek, Denmark

Designed by ALPINE Japan
Printed in Denmark
68P60810Y14-O

Free Manuals Download Website

<http://myh66.com>

<http://usermanuals.us>

<http://www.somanuals.com>

<http://www.4manuals.cc>

<http://www.manual-lib.com>

<http://www.404manual.com>

<http://www.luxmanual.com>

<http://aubethermostatmanual.com>

Golf course search by state

<http://golfingnear.com>

Email search by domain

<http://emailbydomain.com>

Auto manuals search

<http://auto.somanuals.com>

TV manuals search

<http://tv.somanuals.com>