

FOR CAR USE ONLY/POUR APPLICATION AUTOMOBILE/PARA USO EN AUTOMÓVILES



EN

FR

ES

PDR-V75

4 CHANNEL + MONO POWER AMPLIFIER

- OWNER'S MANUAL
Please read before using this equipment.
- MODE D'EMPLOI
Veuillez lire avant d'utiliser cet appareil.
- MANUAL DE OPERACIÓN
Léalo antes de utilizar este equipo.

ALPINE ELECTRONICS MARKETING, INC.

1-7, Yukigaya-Otsukamachi, Ota-ku,
Tokyo 145-0067, JAPAN
Phone: 03-5499-4531

ALPINE ELECTRONICS OF AMERICA, INC.

19145 Gramercy Place, Torrance,
California 90501, U.S.A.
Phone 1-800-ALPINE-1 (1-800-257-4631)

ALPINE ELECTRONICS OF AUSTRALIA PTY. LTD.

161-165 Princes Highway, Hallam
Victoria 3803, Australia
Phone 03-8787-1200

ALPINE ELECTRONICS GmbH

Wilhelm-Wagenfeld-Str. 1-3,
80807 München, Germany
Phone 089-32 42 640

ALPINE ELECTRONICS OF U.K. LTD.

Alpine House
Fletchamstead Highway, Coventry CV4 9TW, U.K.
Phone 0870-33 33 763

ALPINE ELECTRONICS FRANCE S.A.R.L.

(RCS PONTOISE B 338 101 280)
98, Rue de la Belle Etoile, Z.I. Paris Nord II,
B.P. 50016, 95945 Roissy Charles de Gaulle
Cedex, France
Phone 01-48638989

ALPINE ITALIA S.p.A.

Viale C. Colombo 8, 20090 Trezzano
Sul Naviglio (MI), Italy
Phone 02-484781

ALPINE ELECTRONICS DE ESPAÑA, S.A.

Portal de Gamarra 36, Pabellón, 32
01013 Vitoria (Alava)-APDO 133, Spain
Phone 945-283588

JEIL Moon Hwa Co.
18-6, 3Ga, Pil_dong, Jung_gu, Seoul, Korea

Designed by ALPINE Japan
Printed in Korea
68-25285Z56-A (Y_A5)
M3514526010

ALPINE PDR-V75 68-25285Z56-A (EN/FR/ES)


CONTENTS

WARNING..... 1
 SERVICE CARE2
 ACCESSORIES2
 INSTALLATION.....3
 ATTACHING THE TOP COVER AND LOGO PLATE4
 CONNECTIONS5
 CONNECTION CHECK LIST8
 SWITCH SETTINGS.....9
 SYSTEM DIAGRAMS 11
 SPECIFICATIONS..... 14

WARNING

Points to Observe for Safe Usage

Read this manual carefully before using the system components. They contain instructions on how to use this product in a safe and effective manner. Alpine cannot be responsible for problems resulting from failure to observe the instructions in this manual.

 WARNING	This symbol means important instructions. Failure to heed them can result in serious injury or death.
--	---

DO NOT OPERATE ANY FUNCTION THAT TAKES YOUR ATTENTION AWAY FROM SAFELY DRIVING YOUR VEHICLE.

Any function that requires your prolonged attention should only be performed after coming to a complete stop. Always stop the vehicle in a safe location before performing these functions. Failure to do so may result in an accident.

KEEP THE VOLUME AT A LEVEL WHERE YOU CAN STILL HEAR OUTSIDE NOISES WHILE DRIVING.

Excessive volume levels that obscure sounds such as emergency vehicle sirens or road warning signals (train crossings, etc.) can be dangerous and may result in an accident. LISTENING AT LOUD VOLUME LEVELS IN A CAR MAY ALSO CAUSE HEARING DAMAGE.

DO NOT DISASSEMBLE OR ALTER.

Doing so may result in an accident, fire or electric shock.

USE THIS PRODUCT FOR MOBILE 12V APPLICATIONS.

Use for other than its designed application may result in fire, electric shock or other injury.

USE THE CORRECT AMPERE RATING WHEN REPLACING FUSES.

Failure to do so may result in fire or electric shock.

DO NOT BLOCK VENTS OR RADIATOR PANELS.

Doing so may cause heat to build up inside and may result in fire.

MAKE THE CORRECT CONNECTIONS.

Failure to make the proper connections may result in fire or product damage.

USE ONLY IN CARS WITH A 12 VOLT NEGATIVE GROUND.

(Check with your dealer if you are not sure.) Failure to do so may result in fire, etc.

BEFORE WIRING, DISCONNECT THE CABLE FROM THE NEGATIVE BATTERY TERMINAL.

Failure to do so may result in electric shock or injury due to electrical shorts.

DO NOT ALLOW CABLES TO BECOME ENTANGLED IN SURROUNDING OBJECTS.

Arrange wiring and cables in compliance with the manual to prevent obstructions when driving. Cables or wiring that obstruct or hang up on places such as the steering wheel, gear lever, brake pedals, etc. can be extremely hazardous.

DO NOT SPLICE INTO ELECTRICAL CABLES.

Never cut away cable insulation to supply power to other equipment. Doing so will exceed the current carrying capacity of the wire and result in fire or electric shock.

DO NOT DAMAGE PIPE OR WIRING WHEN DRILLING HOLES.

When drilling holes in the chassis for installation, take precautions so as not to contact, damage or obstruct pipes, fuel lines, tanks or electrical wiring. Failure to take such precautions may result in fire.

EN

FR


ES

DO NOT USE BOLTS OR NUTS IN THE BRAKE OR STEERING SYSTEMS TO MAKE GROUND CONNECTIONS.

Bolts or nuts used for the brake or steering systems (or any other safety-related system), or tanks should NEVER be used for installations or ground connections. Using such parts could disable control of the vehicle and cause fire etc.

KEEP SMALL OBJECTS SUCH AS BATTERIES OUT OF THE REACH OF CHILDREN.

Swallowing them may result in serious injury. If swallowed, consult a physician immediately.

 CAUTION	This symbol means important instructions. Failure to heed them can result in injury or property damages.
--	--

HALT USE IMMEDIATELY IF A PROBLEM APPEARS.

Failure to do so may cause personal injury or damage to the product. Return it to your authorized Alpine dealer or the nearest Alpine Service Center for repairing.

HAVE THE WIRING AND INSTALLATION DONE BY EXPERTS.

The wiring and installation of this unit requires special technical skill and experience. To ensure safety, always contact the dealer where you purchased this product to have the work done.

USE SPECIFIED ACCESSORY PARTS AND INSTALL THEM SECURELY.

Be sure to use only the specified accessory parts. Use of other than designated parts may damage this unit internally or may not securely install the unit in place. This may cause parts to become loose resulting in hazards or product failure.

ARRANGE THE WIRING SO IT IS NOT CRIMPED OR PINCHED BY A SHARP METAL EDGE.

Route the cables and wiring away from moving parts (like the seat rails) or sharp or pointed edges. This will prevent crimping and damage to the wiring. If wiring passes through a hole in metal, use a rubber grommet to prevent the wire's insulation from being cut by the metal edge of the hole.

DO NOT INSTALL IN LOCATIONS WITH HIGH MOISTURE OR DUST.

Avoid installing the unit in locations with high incidence of moisture or dust. Moisture or dust that penetrates into this unit may result in product failure.

SERVICE CARE

♦ IMPORTANT NOTICE

This Amplifier has been type tested and found to comply with the limits for a Class B computing device in accordance with the specifications in Subpart J of Part 15 of FCC Rules. This equipment generates and uses radio frequency energy, and it must be installed and used properly in accordance with the manufacturer's instructions.

SERIAL NUMBER:	_____
INSTALLATION DATE:	_____
INSTALLATION TECHNICIAN:	_____
PLACE OF PURCHASE:	_____

♦ IMPORTANT

Please record the serial number of your unit in the space provided here and keep it as a permanent record. The serial number plate is located on the rear of the unit.

♦ For European Customers

Should you have any questions about warranty, please consult your store of purchase.

♦ For Customers in other Countries

IMPORTANT NOTICE

Customers who purchase the product with which this notice is packaged, and who make this purchase in countries other than the United States of America and Canada, please contact your dealer for information regarding warranty coverage.

ACCESSORIES

- Self-Tapping Screw (M4 × 20) 4
- Hexagon Wrench (Large/Small) 1 SET
- Logo Plate 1

INST

Due to th
consider
is in ope
be moun
circulati
alternat
authoriz

1. Remo
Hexag

Hexag

2. Slide
• Be s



3. Using
screw
4. Make
surf
drillin
5. Drill t

INSTALLATION

Due to the high power output of the PDR-V75 considerable heat is produced when the amplifier is in operation. For this reason, the amplifier should be mounted in a location which will allow for free circulation of air, such as inside the trunk. For alternate installation locations, please contact your authorized Alpine dealer.

1. Remove the hexagon screws using the supplied Hexagon Wrench (small). (Fig. 1)

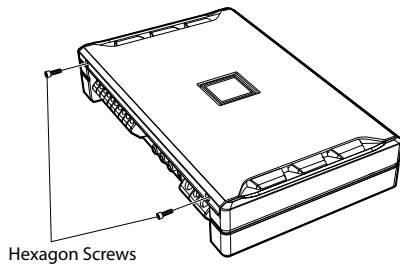


Fig. 1

2. Slide the Top Cover, and lift it to remove. (Fig. 2)
 - Be sure not to damage the indicator area.

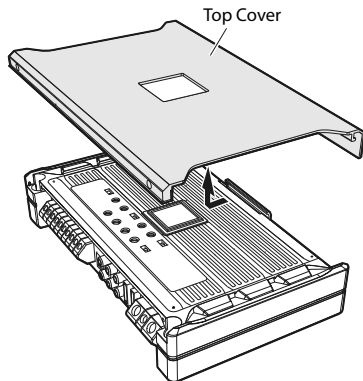


Fig. 2

3. Using the amplifier as a template, mark the four screw locations.
4. Make sure there are no objects behind the surface that may become damaged during drilling.
5. Drill the screw holes.

6. Position the PDR-V75 over the screw holes, and secure with four self-tapping screws. (Fig. 3)

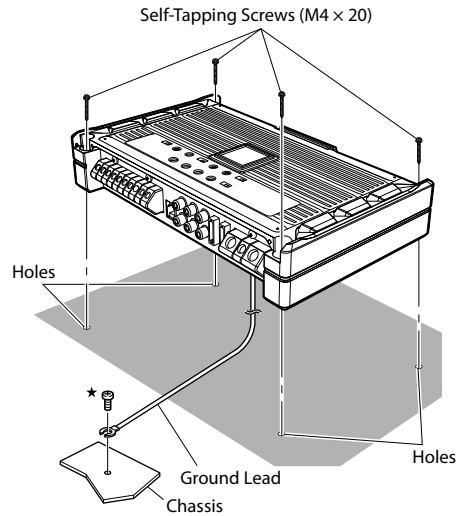


Fig. 3

NOTE:

- To securely connect the ground lead, use an already installed screw on a metal part of the vehicle (marked (★)) or a clean, bare metal spot on the vehicle's chassis. Be sure this is a good ground by checking continuity to the battery (-) terminal. Connect all equipment to the same ground point while keeping wire length as short as possible. These procedures will help eliminate noise.

EN

FR

ES

ATTACHING THE TOP COVER AND LOGO PLATE

1. Attach the Top Cover after connections and confirmation of correct operation.
2. Peel the backing paper from the Logo Plate, then attach it to this unit in your desired direction. (Fig. 4)

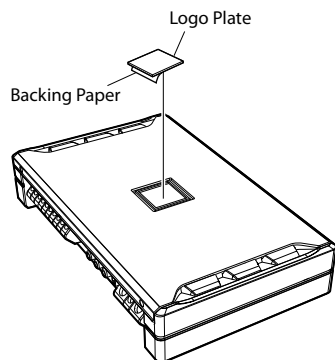


Fig. 4



* Be sure

Before m
power of
battery l
(+) termi
appropri
section).
fuse bloc

To prevent audio sy

- Locate
(4") aw
- Keep th
other lo
- Conne
spot (re
the veh

CONNECTIONS

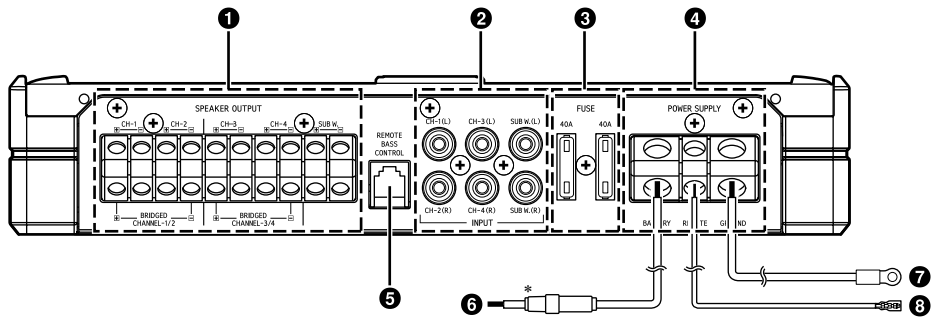


Fig. 5

* Be sure to add an in-line fuse with the battery lead as close as possible to the battery's positive (+) terminal.

Before making connections, be sure to turn the power off to all audio components. Connect the battery lead from the amp directly to the positive (+) terminal of the vehicle's battery with appropriate in-line vehicle's fuse (see Battery Lead section). Do not connect this lead to the vehicle's fuse block.

To prevent external noise from entering the audio system

- Locate the unit and route the leads at least 10 cm (4") away from the vehicle's harness.
- Keep the battery power leads as far away from other leads as possible.
- Connect the ground lead securely to a bare metal spot (remove any paint or grease if necessary) of the vehicle's chassis.

- If you add an optional noise suppressor, connect it as far away from the unit as possible. Your Alpine dealer carries various noise suppressors, contact them for further information.
- Your Alpine dealer knows best about noise prevention measures so consult your dealer for further information.

EN

FR

ES

1 Speaker Output Terminals

- The speaker output terminals of this unit are insert terminal.

Be sure to observe correct speaker output connections and polarity in relation to the other speakers in the system. Connect the positive output to the positive speaker terminal and the negative to negative.

About Subwoofer Input/Output Terminals

- The input is stereo but the output is monaural.
- Reversing subwoofer polarity may be desirable in some installations for optimum bass performance.

About Bridged Connections

In the bridged mode, connect the left positive to the positive terminal on the speaker and the right negative to the negative terminal of the speaker. Do not use the speaker (-) terminals as a common lead between the left and right channels.

Use a Y-adaptor (sold separately) for the input when bridging the outputs. (Refer to the "BRIDGED CONNECTIONS" on page 13.)

NOTE:

- Do not connect the speaker (-) terminal to the vehicle's chassis.

2 RCA Input Jacks

Connect these jacks to the line out leads on your head unit using RCA extension cables (sold separately). Be sure to observe correct channel connections; Left to Left and Right to Right.

3 Fuse

PDR-V7540 A x 2

USE THE CORRECT AMPERE RATING WHEN REPLACING FUSES.

Failure to do so may result in fire or electric shock.

4 Power Supply Terminal

5 Remote Bass Control (Option)

Connect the Remote Bass Control Unit (sold separately) to adjust the output level remotely. This is not to replace appropriate gain level setting between the amplifier and head unit.

6 Battery Lead (Sold Separately)

Be sure to add an in-line fuse with the battery lead as close as possible to the battery's positive (+) terminal. This fuse will protect your vehicle's electrical system in case of a short circuit. See below for appropriate fuse value and minimum wire gauge requirement:

PDR-V75 80 amp fuse, 4 AWG/21 mm²

7 Ground Lead (Sold Separately)

Connect this lead securely to a clean, bare metal spot on the vehicle's chassis. Verify this point to be a true ground by checking for continuity between that point and the negative (-) terminal of the vehicle's battery. Ground all your audio components to the same point on the chassis to prevent ground loops while keeping wire length as short as possible.

Minimum required wire gauge for this connection is as follows:

PDR-V754 AWG/21 mm²

8 Remote Turn-On Lead (Sold Separately)

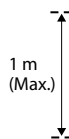
Connect this lead to the remote turn-on (positive trigger, (+) 12V only) lead of your head unit. If a remote turn-on lead is not available, see "CONNECTION CHECK LIST" section on page 8 for alternative method.

NOTE:

- When connecting the speaker output leads of the head unit to this unit with an RCA extension cable (sold separately), etc., you do not need to connect the remote turn-on lead, owing to the "REMOTE SENSING" function of this unit. However, the "REMOTE SENSING" function may not work depending on the signal source connected. In such a case, connect the remote turn-on lead to an incoming power supply cord (accessory power) in the ACC position.



About P
If the len
exceed 1
amplifier
below fo
distribut
ground (1
2 AWG (3



Distribu
block

* Connect
keeping

Ensure th
on the p

Caution

When us
wire), us
connecti
proper p
make thi

1. Check

- Req
- Ba
- Re
- Sp
- SU
- CH
- If th
- dea

CAUTION

About Power supply wires

If the length of the power and ground cables exceed 1 m, or if you connect more than one amplifier, a distribution block should be used. See below for wire gauge recommendations for distribution block connection to battery and ground (depends upon wire length necessary): 2 AWG (33 mm²) or 1/0 AWG (53 mm²)

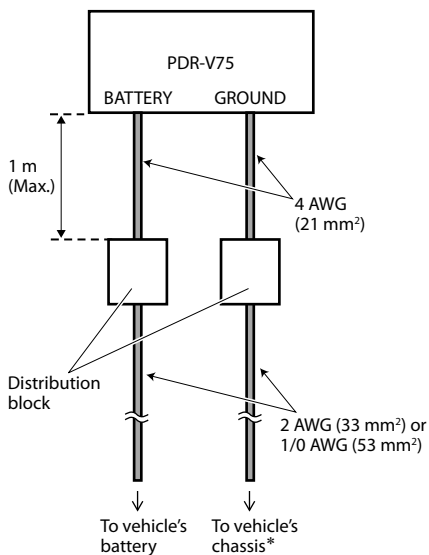


Fig. 6

* Connect all equipment to the same ground point while keeping wire length as short as possible.

Ensure that you install a correctly-rated in-line fuse on the power cable near the battery positive post.

Cautions on wire lead connections

When using third-party wire cables (power supply wire), use the supplied screws to simplify the connection. Refer to the description below for the proper procedure. If you are in doubt about how to make this connection, consult your dealer.

- Check the wire size.
 - Required Wire Size
 - Battery Lead/Ground Lead.... 4 AWG (21 mm²)
 - Remote Turn-On Lead..... 12 AWG (3 mm²)
 - Speaker Output Lead:
 - SUB W..... 8 AWG (8 mm²)
 - CH-1/2/3/4 12 AWG (3 mm²)
 - If the wire gauge used is unknown, ask your dealer.

- Remove the insulation from the ends of the wire leads by about 7 – 10 mm (9/32" – 13/32"). (Fig. 7)

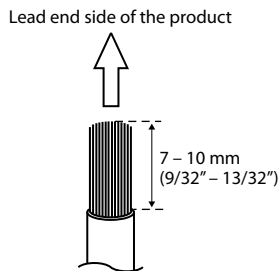


Fig. 7

NOTES:

- If length of the exposed wire is too short, a poor connection may occur causing operation failure or sound interruption.
- On the other hand, if the length is too long, an electrical short-circuit may occur.

- Tighten the set screw with the hexagon wrench (included) to secure the lead. (Fig. 8)

Before making this connection, use insulated shrink tubing to cover any exposed wire extending beyond the terminal.

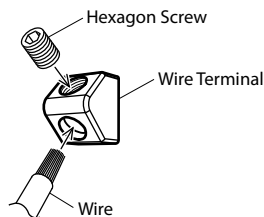


Fig. 8

NOTES:

- Use only the screws included.
- For safety reasons, connect the battery leads last.
- To prevent disconnection of the leads or dropping of the unit, do not use the cabling to carry the unit.

CONNECTION CHECK LIST

Please check your head unit for the conditions listed below: (Fig. 9)

Remote Turn-On Lead

- The head unit does not have a remote turn-on or power antenna lead.
- The head unit's power antenna lead is activated only when the radio is on (turns off in the tape or CD Mode).
- The head unit's power antenna lead is logic level output (+) 5V, negative trigger (grounding type), or cannot sustain (+) 12V when connected to other equipment in addition to the vehicle's power antenna.

If any of the above conditions exist, the remote turn-on lead of your PDR-V75 must be connected to a switched power source (ignition) in the vehicle. Be sure to use a 3A fuse as close as possible to this ignition tap. Using this connection method, the PDR-V75 will turn on and stay on as long as the ignition switch is on.

If this is objectionable, a SPST (Single Pole, Single Throw) switch, in addition to the 3A fuse mentioned above, may be installed in-line on the PDR-V75 turn-on lead. This switch will then be used to turn on (and off) the PDR-V75. Therefore, the switch should be mounted so that is accessible by the driver. Make sure the switch is turned off when the vehicle is not running. Otherwise, the amplifier will remain on and drain the battery.

- ① Blue/White
- ② Power Antenna
- ③ Remote Turn-On Lead
- ④ To other Alpine component's Remote Turn-On Leads
- ⑤ SPST Switch (optional)
- ⑥ Fuse (3A)
- ⑦ As close as possible to the vehicle's ignition tap
- ⑧ Ignition Source

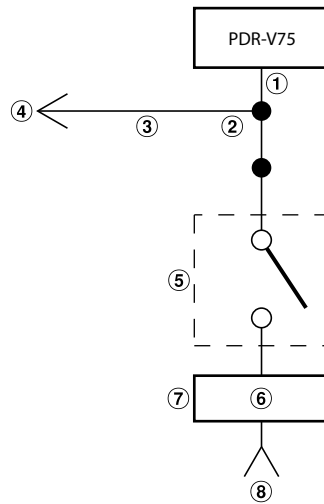
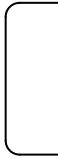


Fig. 9

SWI

NOTE:
• Before the pot
the pot
perper



9 Cross



SWITCH SETTINGS

NOTE:

- Before switching each Selector Switch, turn off the power and insert a small screwdriver, etc., perpendicularly to the Switch.

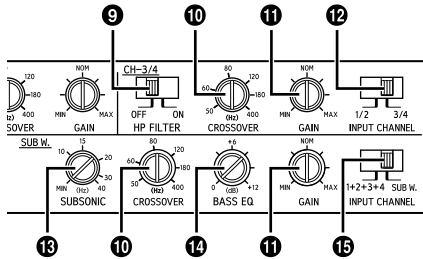
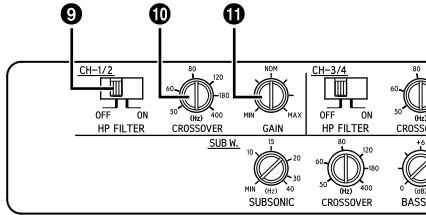


Fig. 9

Fig. 10

9 Crossover Mode Selector Switch



- a) Set to the "OFF" position when the amplifier will be used for driving full range speakers or when using an external electronic crossover. The full frequency bandwidth will be output to the speakers with no high or low frequency attenuation.



- b) Set to the "ON" position when the amplifier is used to drive a tweeter/midrange system. The frequencies below the crossover point will be attenuated at 12 dB/octave.

NOTE:

- In this case the maximum Bass EQ boost level is reduced.

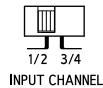
10 Crossover Frequency Adjustment Knob

Use this control to adjust the crossover frequency between 50 and 400 Hz.

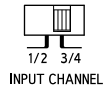
11 Input Gain Adjustment Control

Set the PDR-V75 input gain to the minimum position. Using a dynamic CD as a source, increase the head unit volume until the output distorts. Then, reduce the volume 1 step (or until the output is no longer distorted). Now, increase the amplifier gain until the sound from the speakers becomes distorted. Reduce the gain slightly so the sound is no longer distorted to achieve the optimum gain setting.

12 Input Channel Selector Switch



- a) This switch setting is for selecting either 2-channel or 4-channel input mode. When set to "1/2", signal will be copied from CH-1/2 and sent to CH-3/4, eliminating the need for Y-adapters.



- b) Setting this switch to "3/4" will keep both inputs, CH-1/2 and CH-3/4 independent. A 4-channel source is required for this mode.

13 Subsonic Filter

The subsonic filter for cutting ultra low frequencies from the input signal before being amplified.

This is desirable for several reasons:

- To protect speakers too small or not capable of reproducing ultra low frequencies.
- To minimize power wasted from reproducing inaudible sound.
- To protect subwoofers in vented enclosures from over excursion below the tuning frequency.

EN

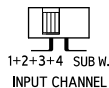
FR

ES

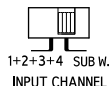
14 Bass EQ Adjustment Knob

Add a 50 Hz bass boost up to +12 dB to tune your bass response.

15 Input Channel Selector Switch (SUB W.)



a) When this switch is placed in the "1+2+3+4" position, all the signals are mixed and come out from the SUB W. This setting provides signal to the subwoofer channel when only 4 channel input is available.



b) Setting this switch to "SUB W." will send the signal at the inputs of SUB W. (L/R) to SUB W. of the PDR-V75.

About Power Indicator

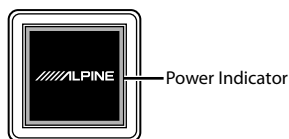


Fig. 11

Lights up when power is on.
Is off when power is off.

Indication color	Status	Solution
Blue	Amplifier circuit is normal.	
Red (blinking)	Operating temperature is high.	Decrease the vehicle's interior temperature to a normal level. The indicator color changes to blue.
Red	Amplifier circuit is abnormal. An electrical short has occurred, or supply current is too high.	Turn off the power supply and eliminate the cause. Then turn on the unit and verify that the indicator color has changed to blue. If it remains red, turn off the unit and consult your dealer.
	Operating temperature is too high.	Decrease the vehicle's interior temperature to a normal level. The indicator color changes to blue.
	Power supply voltage is too high.	Use the correct power supply voltage. The indicator color changes to blue.

SYSTEM DIAGRAMS

- 16 Subwoofer
- 17 Front Speakers
- 18 Rear Speakers
- 19 Head Unit, etc.
- 20 Front Output
- 21 Rear Output
- 22 Subwoofer Output
- 23 RCA Extension Cable (Sold Separately)
- 24 Y-Adapter (Sold Separately)

TYPICAL SYSTEM CONNECTIONS

4 Speaker + 1 Subwoofer System (5-Channel Input)

Input Channel Selector Switch Setting

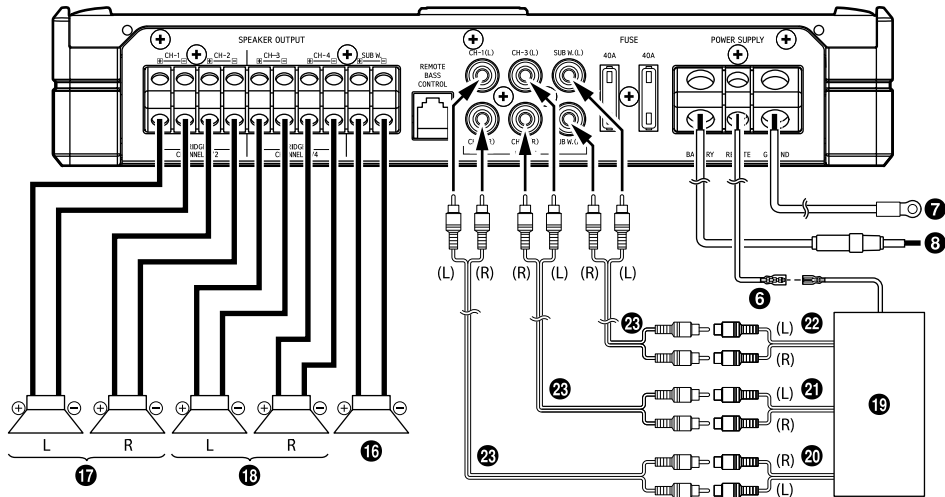
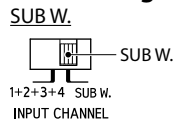
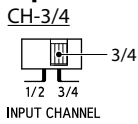
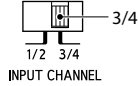


Fig. 12

4 Speaker + 1 Subwoofer System (4-Channel Input)

Input Channel Selector Switch Setting

CH-3/4



SUB W.

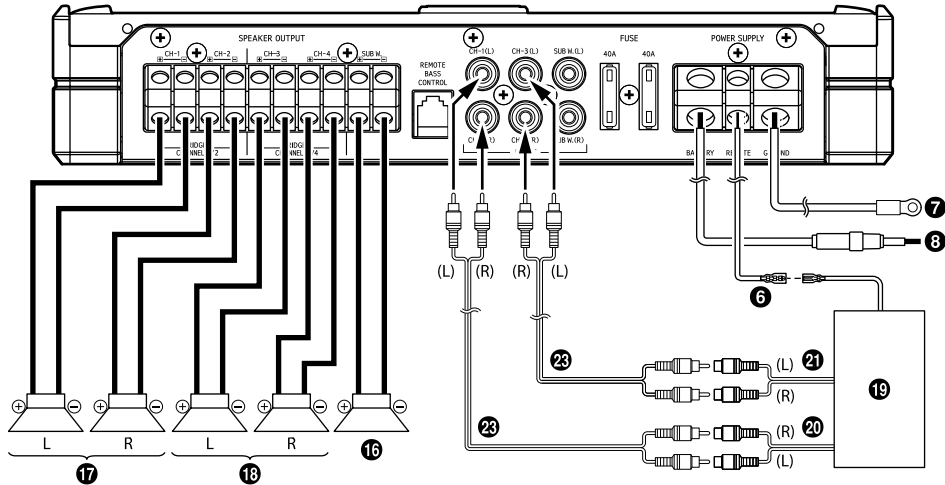
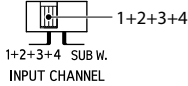
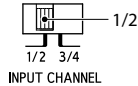


Fig. 13

4 Speaker + 1 Subwoofer System (2-Channel Input)

Input Channel Selector Switch Setting

CH-3/4



SUB W.

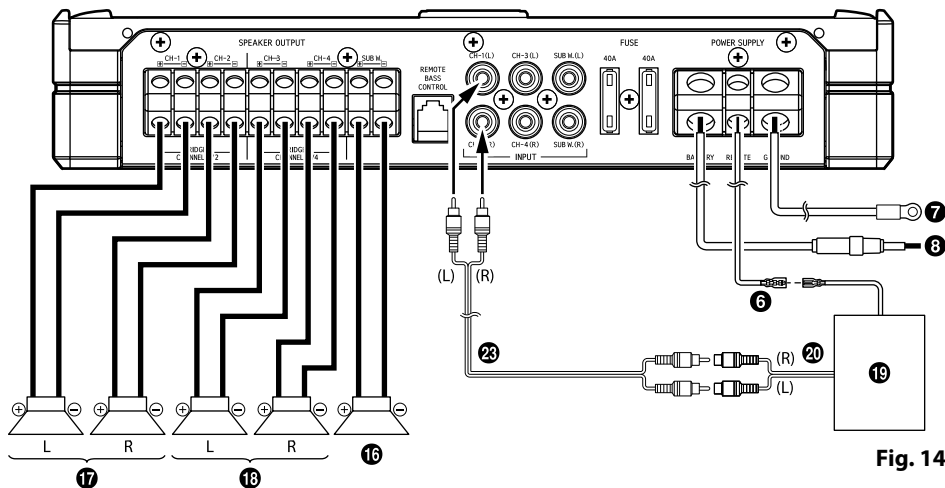
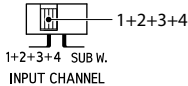


Fig. 14

BRIDGED CONNECTIONS

2 Speaker + 1 Subwoofer System

Input Channel Selector Switch Setting

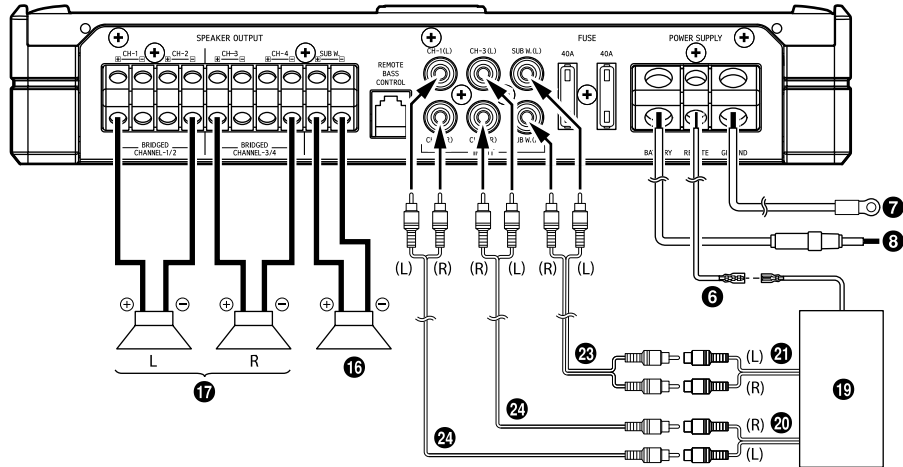


Fig. 15

Important Tips on Bridging an Amplifier

NOTE:

- Low output will result if only one channel input is used. The Y-adaptor is not required if a stereo/mono pair line output is used to drive both inputs of the bridged amp.

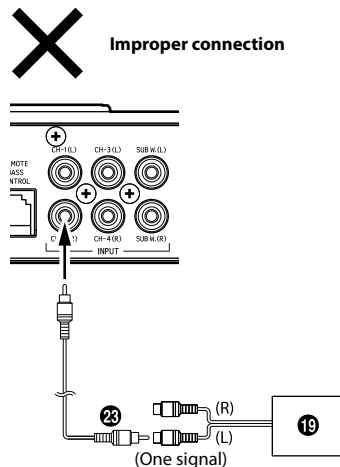
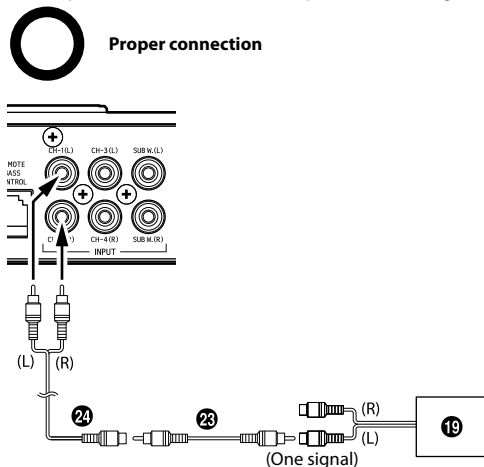


Fig. 16

SPECIFICATIONS

		PDR-V75	
		CH-1/2/3/4	SUB W.
Performance			
Power Output	Per Channel, Ref.: 4 Ω , 14.4 V	75 W RMS x 4	250 W RMS x 1
	Per Channel, Ref.: 2 Ω , 14.4 V	100 W RMS x 4	350 W RMS x 1
	Bridged, Ref.: 4 Ω , 14.4 V	200 W RMS x 2	–
THD+N	Ref.: 10 W into 4 Ω	$\leq 0.02\%$	$\leq 0.02\%$
	Ref.: 10 W into 2 Ω	$\leq 0.03\%$	$\leq 0.03\%$
	Ref.: Rated Power into 4 Ω	$\leq 0.07\%$	$\leq 0.07\%$
	Ref.: Rated Power into 2 Ω	$\leq 0.09\%$	$\leq 0.09\%$
S/N Ratio	IHF A-wtd + AES-17 Ref.: 1W into 4 Ω	>87 dB	>87 dB
	IHF A-wtd + AES-17 Ref.: Rated Power into 4 Ω	>105 dB	>110 dB
Frequency Response	+0/-3 dB, Ref.: 1 W into 4 Ω	8 Hz - 45 kHz	8 Hz - 400 Hz
	+0/-1 dB, Ref.: 1 W into 4 Ω	10 Hz - 30 kHz	10 Hz - 300 Hz
Damping Factor	Ref.: 10 W into 4 Ω at 100 Hz	>500	>1,000
Control			
Input Select	Selectable Input Signal Configuration (2ch/4ch/6ch Input)	CH-3/4: CH-1/2 or CH-3/4	CH-1+2+3+4 or SUB W.
Input Sensitivity	RCA Input Ref.: Rated Power into 4 Ω	0.2 - 4.0 V	0.1 - 4.0 V
Crossover	Variable HPF/LPF	50 Hz - 400 Hz (-12 dB/oct.)	LPF: 50 Hz - 400 Hz (-24 dB/oct.)
	Variable Subsonic Filter	–	8 Hz - 40 Hz (-24 dB/oct.)
Equalizer	Bass EQ (fc=50 Hz)	–	0 to +12 dB (Variable)
Remote Level*	Linear Attenuation * Requires optional RUX-KNOB	–	0 to -20 dB
General			
Input Impedance		>10 k Ω	
Dimensions	Width	270 mm (10-3/4")	
	Height	50.8 mm (2")	
	Depth	165 mm (6-1/2")	
Weight		2.76 kg (6 lb 1.4 oz)	

NOTE:

- Specifications and design are subject to change without notice.


TABLE DES MATIÈRES

AVERTISSEMENT.....	1
SERVICE APRÈS-VENTE.....	2
ACCESSOIRES	2
INSTALLATION.....	3
FIXATION DU COUVERCLE SUPÉRIEUR ET DE LA PLAQUE DU LOGO.....	4
CONNEXIONS	5
Liste de vérification des connexions	8
RÉGLAGES DE COMMUTATEUR.....	9
DIAGRAMMES DU SYSTÈME	11
SPÉCIFICATIONS.....	14

AVERTISSEMENT

Points à respecter pour une utilisation en toute sécurité

Lisez attentivement ce manuel avant d'utiliser les composants du système. Il contient des instructions sur la manière d'utiliser ce produit en toute sécurité et de manière efficace. Alpine ne peut être tenue pour responsable des problèmes résultant du non respect des instructions présentées dans ce manuel.

 AVERTISSEMENT	<p>Ce symbole désigne des instructions importantes. Le non-respect de ces instructions peut entraîner de graves blessures, voire la mort.</p>
--	---

N'ACTIVER AUCUNE FONCTION SUSCEPTIBLE DE DÉTOURNER VOTRE ATTENTION DE LA CONDUITE DU VÉHICULE.

Les fonctions requérant une attention prolongée ne doivent être exploitées qu'à l'arrêt complet du véhicule. Toujours arrêter le véhicule à un endroit sûr avant d'activer ces fonctions. Il y a risque de provoquer un accident.

GARDER LE VOLUME À FAIBLE NIVEAU DE MANIÈRE À POUVOIR ENTENDRE LES BRUITS EXTÉRIEURS PENDANT LA CONDUITE.

Des niveaux de volume excessifs qui couvrent les sirènes des ambulances ou les signaux routiers (passages à niveau, etc.) peuvent être dangereux et provoquer un accident. UN NIVEAU DE VOLUME TROP ÉLEVÉ À L'INTÉRIEUR DU VÉHICULE PEUT ÉGALEMENT AVOIR DES EFFETS IRRÉVERSIBLES SUR VOTRE AUDITION.

NE PAS DÉSASSEMBLER NI MODIFIER L'APPAREIL.

Il y a risque d'accident, d'incendie ou de choc électrique.

UTILISER CET APPAREIL POUR DES APPLICATIONS MOBILES DE 12 V.

Toute utilisation autre que l'application désignée comporte un risque d'incendie, de choc électrique ou de blessure.

UTILISER DES FUSIBLES DE L'AMPÉRAGE APPROPRIÉ.

Il y a risque d'incendie ou de décharge électrique.

NE PAS OBSTRUER LES SORTIES D'AIR NI LES PANNEAUX DU RADIATEUR.

Une surchauffe interne peut se produire et provoquer un incendie.

EFFECTUER CORRECTEMENT LES CONNEXIONS.

Il y a risque de blessures ou de dommages à l'appareil.

A UTILISER UNIQUEMENT SUR DES VOITURES À MASSE NÉGATIVE DE 12 VOLTS.

(Vérifiez auprès de votre concessionnaire si vous n'en êtes pas certain.) Il y a risque d'incendie, etc.

AVANT TOUTE CONNEXION, DEBRANCHER LE CABLE DE LA BORNE NÉGATIVE DE LA BATTERIE.

Il y a risque de choc électrique ou de blessure par courts-circuits.

NE PAS COINCER LES CÂBLES AVEC DES OBJETS VOISINS.

Positionner les câbles conformément au manuel de manière à éviter toute obstruction en cours de conduite. Les câbles qui obstruent ou dépassent à des endroits tels que le volant, le levier de changement de vitesses, la pédale de frein, etc., peuvent s'avérer extrêmement dangereux.

NE PAS DÉNUDER LES CÂBLES ÉLECTRIQUES.

Ne jamais enlever la gaine isolante pour alimenter un autre appareil. Il y a risque de dépassement de la capacité de courant et, partant, d'incendie ou de choc électrique.

NE PAS ENDOMMAGER DE CONDUITES NI DE CÂBLES LORS DU FORAGE DES TROUS.

Lors du forage de trous dans le châssis en vue de l'installation, veiller à ne pas entrer en contact, endommager ni obstruer de conduites, de tuyaux à carburant ou de fils électriques. Le non-respect de cette précaution peut entraîner un incendie.

EN

FR


ES

NE PAS UTILISER DES ÉCROUS NI DES BOULONS DU CIRCUIT DE FREINAGE OU DE DIRECTION POUR LES CONNEXIONS DE MASSE.

Les boulons et les écrous utilisés pour les circuits de freinage et de direction (ou de tout autre système de sécurité) ou les réservoirs ne peuvent JAMAIS être utilisés pour l'installation ou la liaison à la masse. L'utilisation de ces organes peut désactiver le système de contrôle du véhicule et causer un incendie, etc.

GARDER LES PETITS OBJETS COMME LES PILES HORS DE PORTÉE DES ENFANTS.

L'ingestion de tels objets peut entraîner de graves blessures. En cas d'ingestion, consulter immédiatement un médecin.

 ATTENTION	Ce symbole désigne des instructions importantes. Le non-respect de ces instructions peut entraîner des blessures ou des dommages matériels.
--	---

INTERROMPRE TOUTE UTILISATION EN CAS DE PROBLÈME.

Le non-respect de cette précaution peut entraîner des blessures ou endommager l'appareil. Retourner l'appareil auprès du distributeur Alpine agréé ou un centre de service après-vente Alpine en vue de la réparation.

FAIRE INSTALLER LE CÂBLAGE ET L'APPAREIL PAR DES EXPERTS.

Le câblage et l'installation de cet appareil requiert des compétences techniques et de l'expérience. Pour garantir la sécurité, faire procéder à l'installation de cet appareil par le distributeur qui vous l'a vendu.

UTILISER LES ACCESSOIRES SPÉCIFIÉS ET LES INSTALLER CORRECTEMENT.

Utiliser uniquement les accessoires spécifiés. L'utilisation d'autres composants que les composants spécifiés peut causer des dommages internes à cet appareil ou son installation risque de ne pas être effectuée correctement. Les pièces utilisées risquent de se desserrer et de provoquer des dommages ou une défaillance de l'appareil.

FAIRE CHEMINER LE CÂBLAGE DE MANIÈRE À NE PAS LE COINCER CONTRE UNE ARÊTE MÉTALLIQUE.

Faire cheminer les câbles à l'écart des pièces mobiles (comme les rails d'un siège) et des arêtes acérées ou pointues. Cela évitera ainsi de coincer et d'endommager les câbles. Si un câble passe dans un orifice métallique, utiliser un passe-cloison en caoutchouc pour éviter que la gaine isolante du câble ne soit endommagée par le rebord métallique de l'orifice.

NE PAS INSTALLER À DES ENDROITS TRÈS HUMIDES OU POUSSIÈREUX.

Éviter d'installer l'appareil à des endroits soumis à une forte humidité ou à de la poussière en excès. La pénétration d'humidité ou de poussière à l'intérieur de cet appareil risque de provoquer une défaillance.

2-FR

SERVICE APRÈS-VENTE

◆ AVIS IMPORTANT

Cet amplificateur a été testé et est conforme aux limites des dispositifs informatiques de catégorie B, conformément aux règlements du FCC, section 15, sous-section J. Ce matériel produit et utilise des hautes fréquences radio et doit être installé et utilisé conformément aux directives du fabricant.

NUMERO DE SERIE: _____
DATE D'INSTALLATION: _____
INSTALLATEUR: _____
LIEU D'ACHAT: _____

◆ IMPORTANT

Enregistrer le numéro de série de l'appareil dans l'espace prévu ici et le conserver en permanence. La plaque de numéro de série est située à l'arrière de l'appareil.

◆ Pour les clients Européens

Pour plus de détails sur la garantie, consulter votre revendeur.

◆ Pour les clients d'autres pays

AVIS IMPORTANT

Pour les clients qui achèteraient ce produit en dehors des pays autres que les États Unis d'Amérique et du Canada et dont cette notice est comprise dans le carton, prière de contacter votre revendeur pour plus d'informations concernant la garantie.

ACCESSOIRES

- Vis auto-taraudées (M4 × 20)..... 4
- Clé hexagonale (grande/petite) 1 JEU
- Plaque du logo..... 1

INSTALLATION

En raison de la sortie de puissance élevée du PDR-V75, une forte chaleur est produite pendant le fonctionnement de l'amplificateur. Pour cette raison, l'amplificateur doit être monté dans un endroit permettant une bonne ventilation, tel que le coffre. Pour ce qui concerne les différentes positions d'installation, contacter un concessionnaire Alpine.

1. Retirez les vis à six pans à l'aide de la clé hexagonale fournie (petite). (Fig. 1)

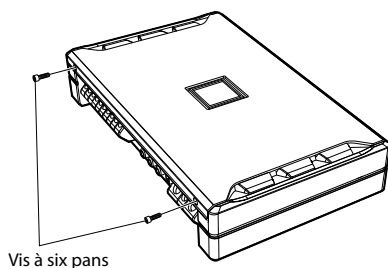


Fig. 1

2. Faites glisser le couvercle supérieur, puis soulevez-le pour le retirer. (Fig. 2)
 - Veillez à ne pas endommager la zone de l'indicateur.

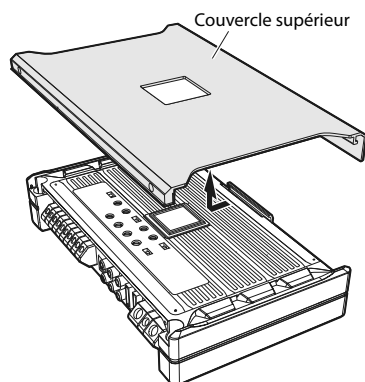


Fig. 2

3. Apposer l'amplificateur contre la surface d'installation pour marquer les repères des quatre vis.
4. Vérifier qu'il n'y a pas d'objets derrière la surface pouvant être abîmés lors du perçage des trous.
5. Percer les trous pour les vis.

6. Positionner le PDR-V75 par dessus les trous et fixer avec les quatre vis auto-tarudées. (Fig. 3)

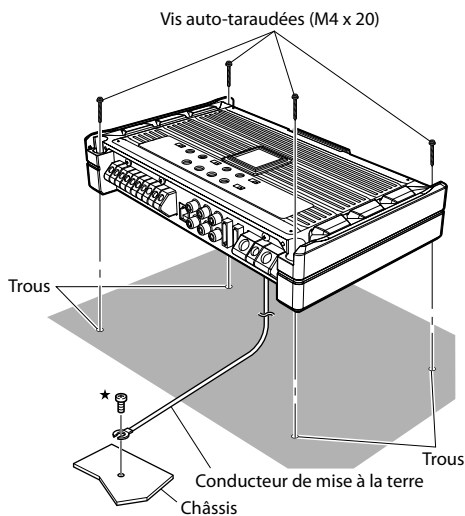


Fig. 3

REMARQUE :

- Pour raccorder correctement le fil de mise à la terre, utilisez la vis déjà fixée sur la partie métallique du véhicule (signalée ★), ou un point métallique propre. Assurez-vous que ce point est une bonne mise à la terre en vérifiant la continuité à la borne de la batterie (-). Connectez tous les équipements au même point de mise à la terre en veillant à maintenir le fil aussi court que possible. Ces procédures vous aideront à éliminer le bruit.

EN

FR

ES

3-FR

FIXATION DU COUVERCLE SUPÉRIEUR ET DE LA PLAQUE DU LOGO

1. Fixez le couvercle supérieur après avoir effectué les raccordements et confirmé que l'appareil fonctionne correctement.
2. Retirez le film protecteur sous la plaque du logo, puis attachez cette dernière à l'appareil dans le sens de votre choix. (Fig. 4)

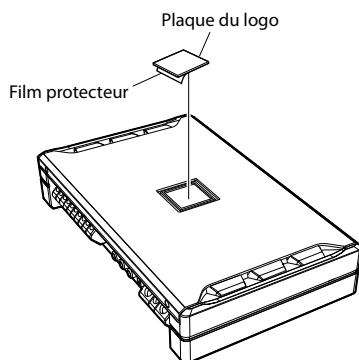


Fig. 4



* Veuillez à

Avant d'é
les comp
le fil de la
directem
véhicule
section c
raccorde

Pour évi
avec le s

- Installe
moins
câbles
- Eloigne
plus po
- Raccor
métalli
peintur
véhicu

CONNEXIONS

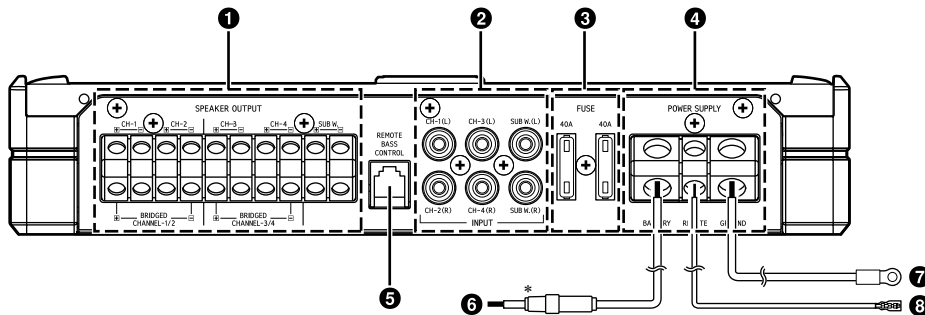


Fig. 5

* Veuillez à ajouter un fusible en ligne au fil de la batterie aussi près que possible de la borne positive (+) de la batterie.

Avant d'effectuer les connexions, vérifier que tous les composants audio sont hors tension. Raccordez le fil de la batterie provenant de l'amplificateur directement à la borne positive (+) de la batterie du véhicule avec le fusible en ligne approprié (voir la section concernant le fil de la batterie). Ne raccordez pas ce fil au boîtier à fusibles du véhicule.

Pour éviter que des bruits extérieurs interfèrent avec le système audio

- Installez l'appareil et acheminez les câbles à au moins 10 cm (4") de distance du faisceau de câbles du véhicule.
- Eloignez les câbles d'alimentation de la batterie le plus possible des autres câbles.
- Raccordez bien le fil de terre à un point métallique apparent (enlevez la couche de peinture ou de graisse si nécessaire) du châssis du véhicule.

- Si vous rajoutez un filtre antiparasites en option, raccordez-le le plus loin possible de l'appareil. Contactez votre revendeur Alpine pour plus de détails sur les divers filtres antiparasites disponibles.
- Consultez votre revendeur Alpine pour plus de détails sur les mesures de prévention contre les parasites.

EN

FR

ES

1 Bornes de sortie du haut-parleur

- Les bornes de sortie de haut-parleur de cet appareil sont des bornes d'insertion. Veillez à effectuer correctement les raccordements aux bornes de sortie correspondantes et à respecter les polarités par rapport aux autres haut-parleurs du système. Raccordez la borne de sortie positive à la borne positive du haut-parleur, et la borne négative à la borne négative.

À propos des bornes d'entrée/de sortie du caisson de graves

- L'entrée est stéréo, mais la sortie est monaurale.
- Dans certaines installations, il est peut-être souhaitable d'inverser la polarité du caisson de graves pour optimiser les performances des graves.

À propos des connexions pontées

En mode ponté, connecter la sortie positive gauche sur la borne positive du haut-parleur et la sortie négative droite sur la borne négative du haut-parleur. Ne pas utiliser les bornes haut-parleur (-) à la fois pour les canaux droit et gauche.

Pour l'entrée, utiliser un adaptateur en forme de Y (vendu séparément) en cas de connexion en pont des sorties. (Se reporter à « CONNEXIONS PONTÉES », page 13.)

REMARQUE :

- Ne raccordez pas la borne négative du haut-parleur (-) au châssis du véhicule.

2 Prises d'entrée RCA

Connecter ces prises aux conducteurs de sortie de ligne de l'unité principale en utilisant les câbles d'extension RCA (vendus séparément). Vérifier que les connexions de canal sont correctes: gauche/vers la gauche et droite/vers la droite.

3 Fusible

PDR-V7540 A x 2

UTILISER DES FUSIBLES DE L'AMPERAGE APPROPRIÉ.

Il y a risque d'incendie ou de décharge électrique.

4 Borne d'alimentation électrique

5 Unité de commande des graves à distance (en option)

Raccordez l'unité de commande des graves à distance (vendue séparément) pour régler à distance le niveau de sortie. Cette opération ne remplace pas le réglage du niveau de gain entre l'amplificateur et l'unité principale.

6 Conducteur de la batterie (vendu séparément)

Veillez à ajouter un fusible en ligne au fil de la batterie aussi près que possible de la borne positive (+) de la batterie. Ce fusible protégera le système électrique de votre véhicule en cas de court-circuit. Voir ci-dessous pour la valeur du fusible et la jauge d'épaisseur à fils minimale requise :

PDR-V75 Fusible de 80 A, 4 AWG/21 mm²

7 Conducteur de mise à la terre (vendu séparément)

Connecter ce conducteur sur un endroit propre et métallique du châssis du véhicule. Vérifier la mise à la terre en contrôlant le passage de courant continu entre ce point et la borne négative (-) de la batterie du véhicule. Mettez à la terre tous les composants audio au même point sur le châssis afin d'éviter les boucles de terre en veillant à maintenir le fil aussi court que possible.

La jauge d'épaisseur à fils minimale requise pour ce raccordement est la suivante:

PDR-V754 AWG/21 mm²

8 Conducteur de mise sous tension télécommandée (vendu séparément)

Raccordez ce fil au conducteur de mise sous tension télécommandée (déclencheur positif, (+) 12V seulement) de votre unité principale. Si conducteur de mise sous tension télécommandée n'est pas disponible, voir la section « LISTE DE VÉRIFICATION DES CONNEXIONS » à la page 8 pour connaître les méthodes alternatives.

REMARQUE :

- Lorsque vous raccordez les conducteurs de sortie de haut-parleur à l'appareil principal, notamment à l'aide d'un câble d'extension RCA (vendu séparément), il n'est pas nécessaire que vous connectiez le conducteur de mise sous tension à distance permettant d'activer la fonction « REVEIL AUTOMATIQUE » de cet appareil. Il est néanmoins possible que la fonction « REVEIL AUTOMATIQUE » ne soit pas disponible en fonction de la source du signal. Connecter alors le conducteur de mise sous tension télécommandée à un cordon d'alimentation entrant (alimentation des accessoires) en position ACC.



À propos
Si la long
de mise
raccorde
utiliser u
ci-desso
la jauge
du racc
la terre
2 AWG (3

1 mètre
(Max.)

Répartit

* Connec
à la terr
possible

Veillez à
correct s
possible

**Précauti
conduct**
Lorsque
d'autres
les vis fo
correcte
descripti
contacte

1. Vérifie
• Taill
- Co
m
- Co
té

⚠ ATTENTION

À propos des câbles d'alimentation

Si la longueur du câble d'alimentation et du câble de mise à la terre est supérieure à 1 m ou si vous raccordez plusieurs amplificateurs, vous devez utiliser un raccord de tuyauterie multiple. Voir ci-dessous pour les recommandations concernant la jauge d'épaisseur à fils en vue du raccordement du raccord de tuyauterie multiple à la batterie ou à la terre (en fonction de la longueur nécessaire) : 2 AWG (33 mm²) ou 1/0 AWG (53 mm²)

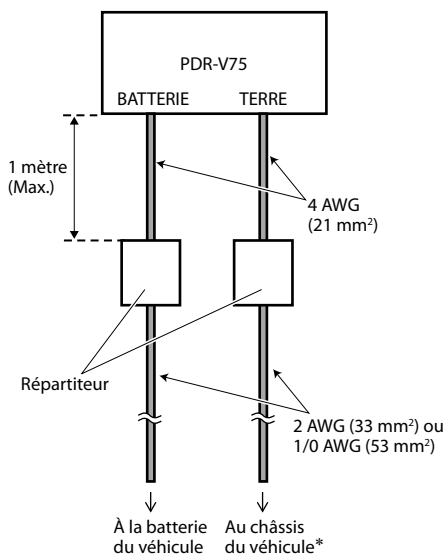


Fig. 6

* Connectez tous les équipements au même point de mise à la terre en veillant à maintenir le fil aussi court que possible.

Veillez à installer un fusible en ligne de l'ampérage correct sur le câble d'alimentation le plus près possible de la borne positive de la batterie.

Précautions avec les connexions des fils conducteurs

Lorsque vous utilisez des câbles conducteurs d'autres fabricants (câble d'alimentation), utilisez les vis fournies pour simplifier la connexion. Faire correctement les connexions en se référant à la description suivante. Si vous avez des doutes, contactez votre revendeur.

1. Vérifier le calibre des fils.

- Taille du fil requise
 - Conducteur de la batterie/Conducteur de mise à la terre.....4 AWG (21 mm²)
 - Conducteur de mise sous tension télécommandée.....12 AWG (3 mm²)

- Conducteur de sortie de haut-parleur :
 - SUB W.....8 AWG (8 mm²)
 - CH-1/2/3/412 AWG (3 mm²)
- Si le calibre des fils utilisés est inconnu, se renseigner auprès du revendeur.

2. Retirer l'isolation des bouts des fils de connexion de 7 – 10 mm (9/32" – 3/8"). (Fig. 7)

Côté extrémité du conducteur du produit

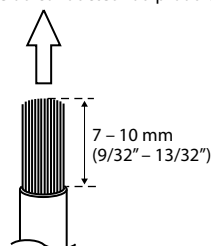


Fig. 7

REMARQUES :

- Si la longueur des conducteurs avec l'isolation retirée est trop courte, une connexion incorrecte risque de se produire et cela peut provoquer une panne de fonctionnement ou l'interruption du son.
 - D'autre part, si la longueur du conducteur est trop longue, un court-circuit électrique risque de se produire.
3. Serrez la vis avec une clé hexagonale (fournie) pour fixer le fil. (Fig. 8)

Avant de faire cette connexion, utiliser la gaine rétrécissable isolante afin de couvrir les câbles dénudés dépassant la borne.

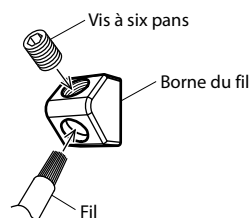


Fig. 8

REMARQUES :

- Utiliser uniquement les vis fournies.
- Par mesure de sécurité, connecter les fils de la batterie en dernier.
- Pour éviter le débranchement des conducteurs ou de faire tomber l'appareil, ne pas saisir les conducteurs lors du transport de l'appareil.

LISTE DE VÉRIFICATION DES CONNEXIONS

Prrière de vérifier les points énumérés ci-dessous concernant l'unité principale: (Fig. 9)

Conducteur de mise sous tension télécommandée

- L'unité principale n'a pas de conducteur de mise sous tension télécommandée ou d'antenne électrique.
- Le conducteur d'antenne électrique de l'unité principale est seulement activé lorsque la radio est allumée (désactivé en mode cassette ou CD).
- Le conducteur d'antenne électrique de l'unité principale est une sortie de niveau logique (+) 5V, déclencheur négatif (de type mise à la terre) ou ne peut pas supporter (+) 12V lors de la connexion à un autre équipement en plus de l'antenne électrique du véhicule.

Si un des points ci-dessus se présente, le conducteur de mise sous tension télécommandée du PDR-V75 doit être connecté à une source d'alimentation commutée (allumage) du véhicule. S'assurer d'utiliser un fusible de 3A le plus près que possible de la prise d'allumage. En utilisant cette méthode de connexion, le PDR-V75 est mis sous tension et restera allumé aussi longtemps que le commutateur d'allumage restera activé.

Si ceci est inacceptable, en plus du fusible de 3A mentionné ci-dessus, un commutateur SPST (commutateur-disjoncteur unipolaire) doit être installé en ligne dans le conducteur de mise sous tension du PDR-V75. Ce commutateur est ensuite utilisé pour mettre sous (et hors) tension le PDR-V75. Pour cette raison, prière de s'assurer que ce commutateur est accessible au conducteur. S'assurer que le commutateur est désactivé quand le véhicule est arrêté. Autrement, l'amplificateur restera activé et videra la batterie.

- ① Bleu/Blanc
- ② Antenne électrique
- ③ Conducteur de mise sous tension télécommandée
- ④ Aux conducteurs de mise sous tension télécommandée d'autres composants Alpine
- ⑤ Commutateur SPST (optionnel)
- ⑥ Fusible (3A)
- ⑦ Aussi près que possible de la prise d'allumage du véhicule
- ⑧ Source d'allumage

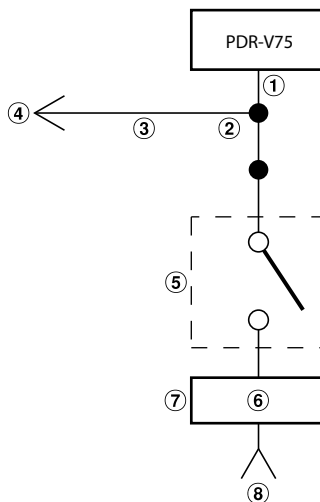
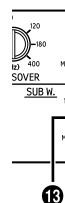
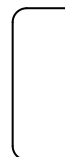


Fig. 9

RÉG COM

REMARQUE
• Avant de commu insérer perper



9 Comm



RÉGLAGES DE COMMUTATEUR

REMARQUE :

- Avant de procéder au réglage de chaque commutateur sélecteur, mettre hors tension et insérer un petit tournevis, etc. perpendiculairement au commutateur.

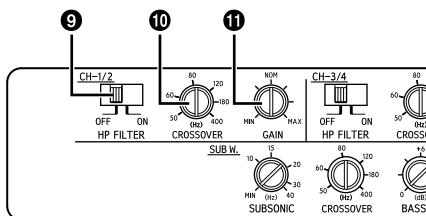


Fig. 9

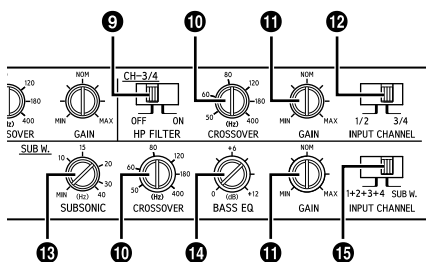


Fig. 10

9 Commutateur sélecteur de mode de transfert



- a) Réglez-le en position « OFF » lorsque vous utilisez l'amplificateur pour piloter des haut-parleurs à gamme étendue ou lors de l'utilisation d'un répartiteur électronique externe. La bande entière sortira aux haut-parleurs sans que les fréquences basses ou hautes soient coupées.



- b) Réglez sur la position « ON » lorsque l'amplificateur est utilisé pour exciter un système de haut-parleur d'aigus/bande moyenne. Les fréquences inférieures au point de recouvrement sont coupées à raison de 12 dB par octave.

REMARQUE :

- Dans ce cas, le niveau d'alimentation maximal des graves EQ est réduit.

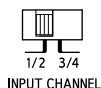
10 Bouton de réglage de la fréquence de transfert

Utiliser cette commande pour régler la fréquence de transfert sur une valeur comprise entre 50 et 400 Hz.

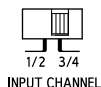
11 Contrôle de réglage de gain d'entrée

Régler le gain d'entrée du PDR-V75 à la position minimale. En utilisant un CD dynamique comme source, augmenter le volume de l'unité principale jusqu'à ce que le son de sortie s'altère. Puis, réduire le volume d'un pas (ou jusqu'à ce que le son de sortie ne soit pas altéré). Maintenant, augmenter le gain de l'amplificateur jusqu'à ce que le son des haut-parleurs devienne altéré. Réduire le gain petit à petit, jusqu'à ce que le son ne soit pas altéré pour obtenir un réglage de gain optimum.

12 Commutateur sélecteur du canal d'entrée



- a) Ce réglage du commutateur permet de sélectionner le mode d'entrée à 2 ou à 4 canaux. Lorsqu'il est réglé sur « 1/2 », le signal est copié de CH-1/2 et envoyé à CH-3/4, ce qui évite d'utiliser des adaptateurs Y.



- b) Lorsque ce commutateur est réglé sur « 3/4 », les deux entrées, CH-1/2 et CH-3/4, restent indépendantes. Ce mode nécessite une source à 4 canaux.

13 Filtre infrasonore

Le filtre subsonique permet de couper les ultra-basses fréquences du signal d'entrée avant qu'elles ne soient amplifiées.

Ce réglage est souhaitable pour plusieurs raisons :

- Pour protéger les haut-parleurs trop petits ou incapables de reproduire les ultra-basses fréquences.
- Pour minimiser le gaspillage énergétique dû à la reproduction de son inaudible.
- Pour protéger les caissons de graves des enceintes acoustiques contre les déviations en dessous de la fréquence de syntonisation.

EN

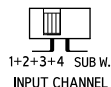
FR

ES

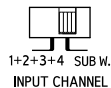
14 Bouton d'ajustement des graves EQ

Ajoutez un amplificateur de basses fréquences de 50 Hz réglé sur +12 dB pour ajuster la réponse des graves.

15 Commutateur sélecteur du canal d'entrée (SUB W.)



a) Lorsque ce commutateur est placé en position « 1+2+3+4 », tous les signaux sont mélangés et émis par le SUB W. Ce réglage envoie un signal au caisson de graves uniquement lorsqu'une entrée à 4 canaux est disponible.



b) Le réglage du commutateur sur « SUB W. » envoie les signaux des entrées de SUB W.(L/R) aux entrées SUB W. du PDR-V75.

À propos de l'indicateur d'alimentation

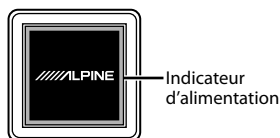


Fig. 11

Allumé lors de la mise en marche.
Eteint lors de l'extinction.

Couleur de l'indication	État	Solution
Bleu	Le circuit de l'amplificateur est normal.	
Rouge (clignotant)	La température de fonctionnement est élevée.	Faites baisser la température intérieure du véhicule à un niveau normal. L'indicateur passe au bleu.
Rouge	Le circuit de l'amplificateur présente une anomalie. Un court-circuit électrique s'est produit ou le courant d'alimentation est trop élevé.	Éteignez la source d'alimentation, puis éliminez la cause du problème. Mettez l'unité sous tension, puis vérifiez que l'indicateur passe au bleu. S'il reste rouge, mettez l'unité hors tension et consultez votre revendeur.
	La température de fonctionnement est trop élevée.	Faites baisser la température intérieure du véhicule à un niveau normal. L'indicateur passe au bleu.
	La tension d'alimentation est trop élevée.	Utilisez la tension d'alimentation appropriée. L'indicateur passe au bleu.

DIAGRAMMES DU SYSTÈME

- 16 Caisson de graves
- 17 Haut-parleurs avant
- 18 Haut-parleurs arrière
- 19 Unité principale, etc.
- 20 Sortie avant
- 21 Sortie arrière
- 22 Sortie du caisson de graves
- 23 Câble de rallonge RCA (vendu séparément)
- 24 Adaptateur en forme de « Y » (vendu séparément)

CONNEXIONS TYPIQUES DU SYSTÈME

Système de 4 haut-parleurs + 1 caisson de graves (entrée à 5 canaux)

■ Réglage du commutateur de sélection du canal d'entrée

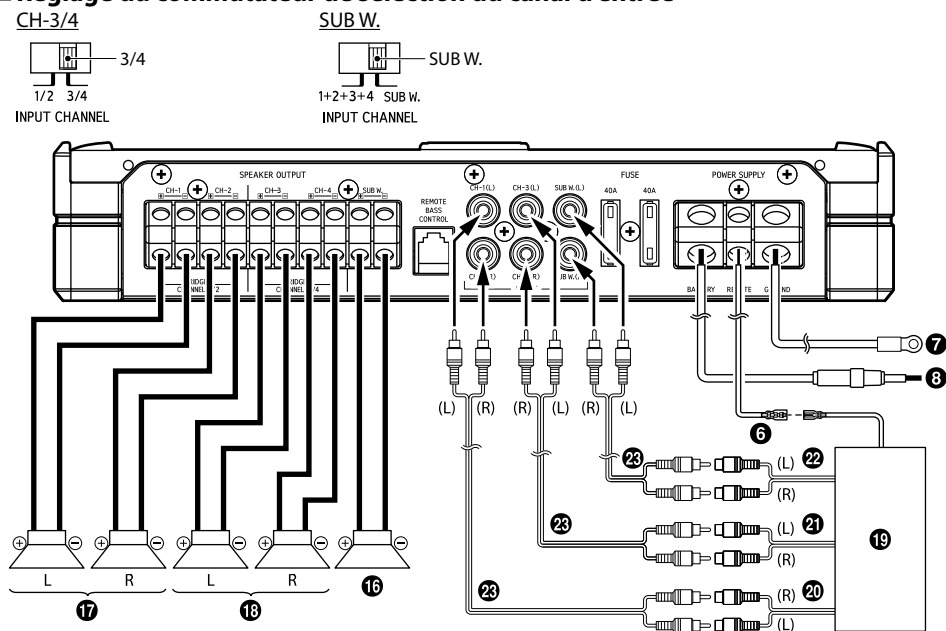


Fig. 12

Système de 4 haut-parleurs + 1 caisson de graves (entrée à 4 canaux)

Réglage du commutateur de sélection du canal d'entrée

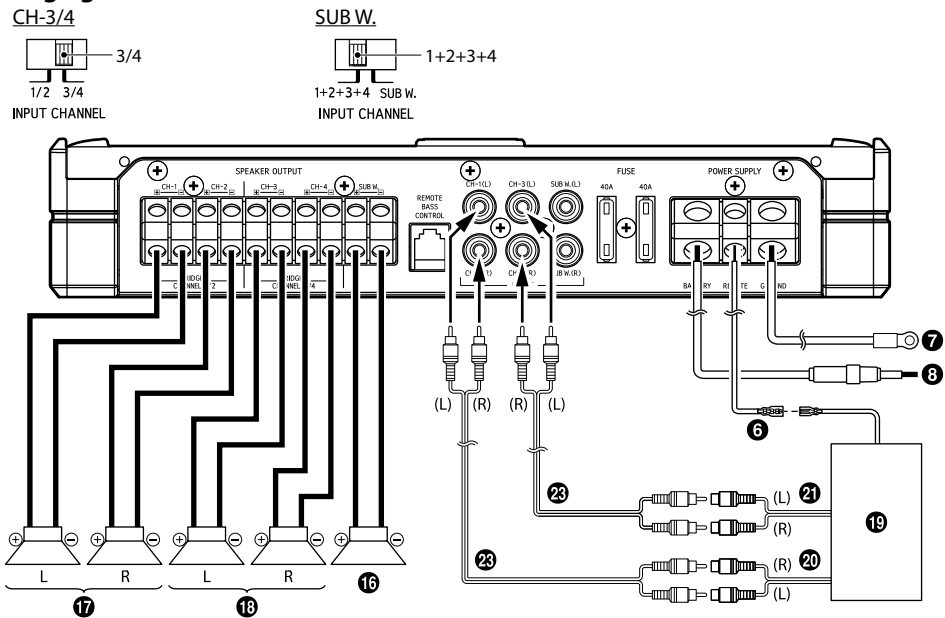


Fig. 13

Système de 4 haut-parleurs + 1 caisson de graves (entrée à 2 canaux)

Réglage du commutateur de sélection du canal d'entrée

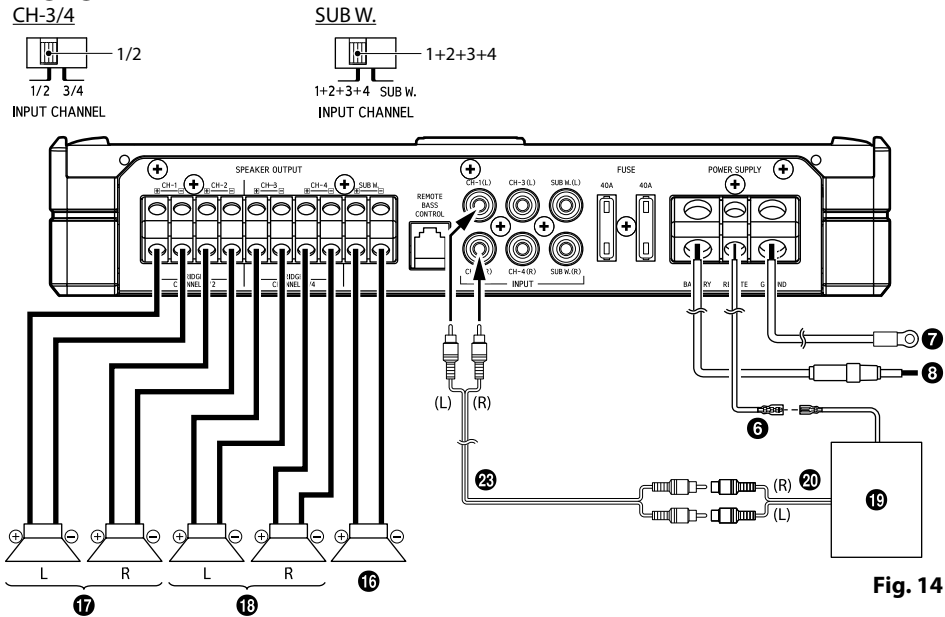


Fig. 14

12-FR

CONNEXIONS PONTÉES

Système de 2 haut-parleurs + 1 caisson de graves

■ Réglage du commutateur de sélection du canal d'entrée

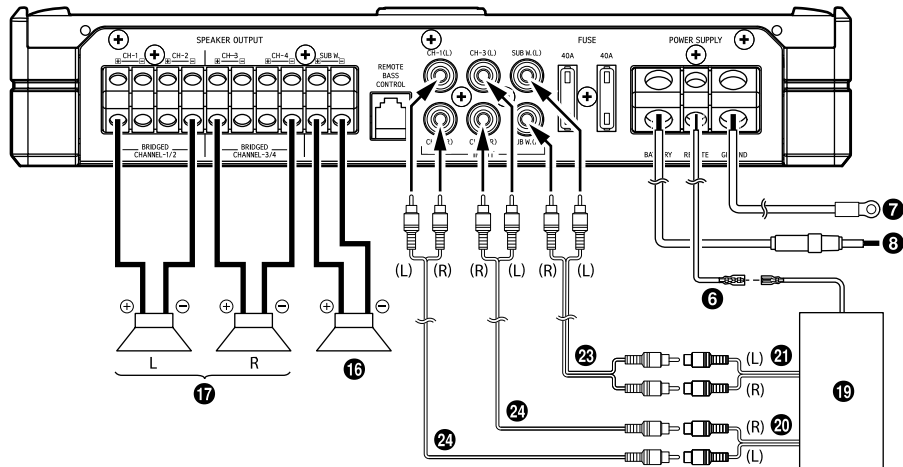
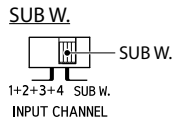
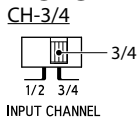


Fig. 15

Conseils importants lors de la mise en pont d'un amplificateur

REMARQUE :

- Le système présente une faible puissance en cas d'utilisation d'un seul canal d'entrée. L'adaptateur Y n'est pas requis en cas d'utilisation d'une sortie de ligne ou d'un couple stéréo/mono pour piloter les deux entrées de l'amplificateur ponté.

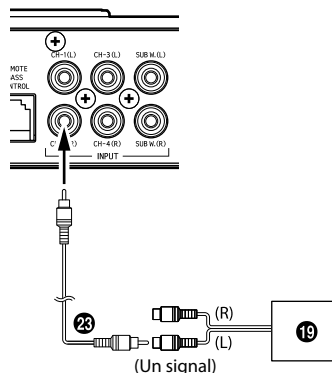
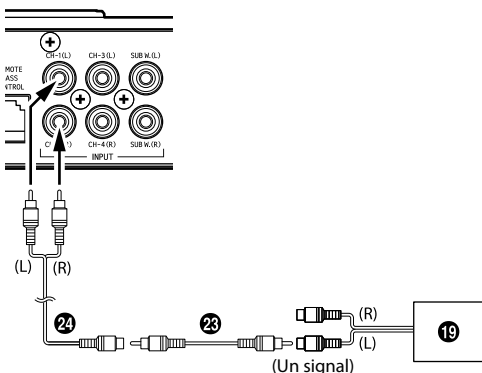


Fig. 16

13-*FR*

SPÉCIFICATIONS

		PDR-V75	
		CH-1/2/3/4	SUB W.
Performances			
Sortie de l'alimentation	Par canal, Réf. : 4 Ω, 14,4 V	75 W RMS x 4	250 W RMS x 1
	Par canal, Réf. : 2 Ω, 14,4 V	100 W RMS x 4	350 W RMS x 1
	En pont, Réf. : 4 Ω, 14,4 V	200 W RMS x 2	-
THD+N	Réf. : 10 W sous 4 Ω	≤0,02%	≤0,02%
	Réf. : 10 W sous 2 Ω	≤0,03%	≤0,03%
	Réf. : puissance nominale sous 4 Ω	≤0,07%	≤0,07%
	Réf. : puissance nominale sous 2 Ω	≤0,09%	≤0,09%
Rapport S/B	IHF A-wtd + AES-17 Réf. : 1W sous 4 Ω	>87 dB	>87 dB
	IHF A-wtd + AES-17 Réf. : puissance nominale sous 4 Ω	>105 dB	>110 dB
Réponse de fréquence	+0/-3 dB, Réf. : 1 W sous 4 Ω	8 Hz - 45 kHz	8 Hz - 400 Hz
	+0/-1 dB, Réf. : 1 W sous 4 Ω	10 Hz - 30 kHz	10 Hz - 300 Hz
Facteur d'amortissement	Réf. : 10 W sous 4 Ω à 100 Hz	>500	>1.000
Contrôle			
Sélection de l'entrée	Configuration possible du signal d'entrée (entrée 2/4/6 canaux)	CH-3/4 : CH-1/2 ou CH-3/4	CH-1+2+3+4 ou SUB W.
Sensibilité d'entrée	Entrée RCA Réf. : puissance nominale sous 4 Ω	0,2 - 4,0 V	0,1 - 4,0 V
Transfert	Filtre passe-haut/filtre passe-bas variable	50 Hz - 400 Hz (-12 dB/oct.)	LPF : 50 Hz - 400 Hz (-24 dB/oct.)
	Filtre infrasonore variable	-	8 Hz - 40 Hz (-24 dB/oct.)
Égaliseur	Graves EQ (fc=50 Hz)	-	0 à +12 dB (Variable)
Niveau distant*	Atténuation linéaire * RUX-KNOB en option requis	-	0 à -20 dB
Général			
Impédance d'entrée		>10 kΩ	
Dimensions	Largeur	270 mm (10-3/4")	
	Hauteur	50,8 mm (2")	
	Profondeur	165 mm (6-1/2")	
Poids		2,76 kg (6 lb 1,4 oz)	

REMARQUE :


- Les spécifications et la conception sont sujettes à des modifications sans préavis.

ÍNDICE

ADVERTENCIA	1
CUIDADOS PRÁCTICOS	2
ACCESORIOS.....	2
INSTALACIÓN	3
COLOCACIÓN DE LA TAPA SUPERIOR Y LA PLACA DEL LOGOTIPO	4
CONEXIONES.....	5
LISTA DE COMPROBACIÓN DE CONEXIONES	8
AJUSTES DEL INTERRUPTOR.....	9
DIAGRAMAS DEL SISTEMA	11
ESPECIFICACIONES	14

ADVERTENCIA**Recomendaciones para un uso seguro**

Lea este manual atentamente antes de utilizar los componentes del sistema, ya que contiene instrucciones sobre cómo utilizar el sistema de forma segura y efectiva. Alpine no se responsabiliza de los problemas derivados de la no observación de las instrucciones de estos manuales.

 ADVERTENCIA	Este símbolo indica que las instrucciones son importantes. De no tenerse en cuenta podría ocasionarse heridas graves o muerte.
--	--

NO REALICE NINGUNA OPERACIÓN QUE PUEDA DISTRAER SU ATENCIÓN Y COMPROMETER LA SEGURIDAD DURANTE LA CONDUCCIÓN DEL VEHÍCULO.

Las operaciones que requieren su atención durante más tiempo sólo deben realizarse después de detener completamente el vehículo. Estacione el vehículo en un lugar seguro antes de realizar dichas operaciones. De lo contrario, podría ocasionar un accidente.

MANTENGA EL VOLUMEN A UN NIVEL QUE NO LE IMPIDA ESCUCHAR LOS SONIDOS DEL EXTERIOR MIENTRAS CONDUCE.

Los niveles de volumen demasiado altos que reducen la percepción de otros sonidos como las sirenas de emergencia o posibles señales acústicas de advertencia en carretera (cruces de trenes, etc.) podrían ser peligrosos y provocar un accidente. LOS NIVELES DE VOLUMEN ALTOS EN EL VEHÍCULO TAMBIÉN PUEDEN DAÑAR EL SISTEMA AUDITIVO DE LOS PASAJEROS.

NO DESMONTE NI ALTERE LA UNIDAD.

Si lo hace, podrá ocasionar un accidente, un incendio o una descarga eléctrica.

UTILICE ESTE PRODUCTO CON APLICACIONES MÓVILES DE 12 V.

Si se emplea para otra aplicación distinta de la prevista, podría producirse un incendio, una descarga eléctrica u otras lesiones.

UTILICE EL AMPERAJE CORRECTO CUANDO CAMBIE FUSIBLES.

De lo contrario, puede producirse un incendio o una descarga eléctrica.

NO OBSTRUYA LOS ORIFICIOS DE VENTILACIÓN O LOS PANELES DEL RADIADOR.

Si los bloquea, el calor podría acumularse en el interior y producir un incendio.

REALICE LAS CONEXIONES CORRECTAMENTE.

Una conexión incorrecta puede producir un incendio o dañar el equipo.

UTILICE LA UNIDAD SOLAMENTE EN VEHÍCULOS QUE TENGAN 12 VOLTIOS CON NEGATIVO A MASA.

(Consulte a su distribuidor en caso de duda.) De no ser así, podría ocasionar un incendio, etc.

ANTES DE EFECTUAR EL CABLEADO, DESCONECTE EL CABLE DEL TERMINAL NEGATIVO DE LA BATERÍA.

De no hacerlo así, podría ocasionar una descarga eléctrica o heridas debido a cortocircuitos eléctricos.

IMPIDA QUE LOS CABLES SE ENREDEN CON LOS OBJETOS SITUADOS ALREDEDOR.

Disponga la instalación eléctrica y los cables conforme a lo descrito en el manual para evitar obstáculos durante la conducción. Los cables que obstaculizan la conducción o que cuelgan de partes del vehículo como el volante de dirección, la palanca de cambios, los pedales de freno, etc., se consideran extremadamente peligrosos.

NO EMPALME CABLES ELÉCTRICOS.

Nunca corte el aislamiento de un cable para suministrar energía a otro equipo. Esto hace que la capacidad portadora del cable se supere y puede ser la causa de incendios o descargas eléctricas.

EVITE DAÑAR LOS TUBOS Y EL CABLEADO CUANDO TALADRE AGUJEROS.

Si taladra agujeros en el chasis durante la instalación, tome las precauciones necesarias para no rozar, dañar u obstruir los tubos, las tuberías de combustible, los depósitos o el cableado eléctrico. De lo contrario, podría provocar un incendio.

EN

FR


ES

NO UTILICE TUERCAS O PERNOS EN EL SISTEMA DE FRENOS O DE DIRECCIÓN PARA REALIZAR LAS CONEXIONES A MASA.

Los pernos o tuercas empleados en los sistemas de freno o de dirección (o en cualquier otro sistema relacionado con la seguridad del vehículo), o los depósitos, NUNCA deben utilizarse para instalaciones de cableado o conexión a masa. Si utiliza tales partes podrá incapacitar el control del vehículo y provocar un incendio, etc.

MANTENGA LOS OBJETOS PEQUEÑOS, COMO LAS PILAS, FUERA DEL ALCANCE DE LOS NIÑOS.

La ingestión de estos objetos puede provocar lesiones graves. Si esto ocurre, consulte con un médico inmediatamente.

 PRUDENCIA	Este símbolo indica que las instrucciones son importantes. De no tenerse en cuenta podría ocasionarse heridas graves o daños materiales.
--	--

DEJE DE USAR LA UNIDAD INMEDIATAMENTE SI APARECE ALGÚN PROBLEMA.

Su uso en estas condiciones podría ocasionar lesiones personales o daños al producto. Lleve la unidad a un distribuidor Alpine autorizado o al Centro de servicio Alpine más próximo para repararla.

CONFÍE EL CABLEADO Y LA INSTALACIÓN A PROFESIONALES.

El cableado y la instalación de este equipo requieren una competencia y experiencia técnica confirmada. Para garantizar la seguridad, póngase siempre en contacto con el distribuidor al que ha comprado el equipo para confiarle estas tareas.

UTILICE LOS ACCESORIOS ESPECIFICADOS E INSTÁLELOS CORRECTAMENTE.

Asegúrese de utilizar los accesorios especificados solamente. La utilización de otras piezas no designadas puede ser la causa de daños en el interior de la unidad o de una instalación incorrecta. Las piezas pueden aflojarse, lo que, además de ser peligroso, puede provocar averías.

DISPONGA EL CABLEADO DE FORMA QUE LOS CABLES NO SE DOBLEN, NO SE CONTRAIGAN NI ROCEN UN BORDE METÁLICO AFILADO.

Aleje los cables y el cableado de piezas móviles (como los raíles de los asientos) o de bordes puntiagudos o afilados. De esta forma evitará dobleces y daños en el cableado. Si los cables se introducen por un orificio de metal, utilice una arandela de goma para evitar que el borde metálico del orificio corte el aislamiento del cable.

NO INSTALE LA UNIDAD EN LUGARES MUY HÚMEDOS O LLENOS DE POLVO.

Evite instalar la unidad en lugares con altos índices de humedad o polvo. Si entra polvo o humedad, el equipo puede averiarse.

CUIDADOS PRÁCTICOS

◆ AVISO IMPORTANTE

Este amplificador ha sido probado y es conforme con los límites de los dispositivos informáticos de categoría B, según la regulación de FCC, sección 15, subsección J. Este equipo produce y utiliza altas frecuencias radio y debe ser instalado y utilizado según las instrucciones del fabricante.

NÚMERO DE SERIE:	_____
FECHA DE INSTALACIÓN:	_____
TÉCNICO:	_____
LUGAR DE ADQUISICIÓN:	_____

◆ IMPORTANTE

Anote el número de serie de su unidad en el espacio proporcionado aquí, y consérvelo como un registro permanente. La placa con el número de serie está ubicada en la parte posterior de la unidad.

◆ Para los usuarios europeos

Si tuviera dudas sobre la garantía consulte, por favor, con el almacén donde haya realizado su compra.

◆ Para los usuarios en otros países

AVISO IMPORTANTE

Los clientes que adquieran este producto fuera de Los Estados Unidos de América y Canadá y que tengan este aviso incluido en el embalaje, contacten a su distribuidor para obtener más información sobre la garantía.

ACCESORIOS

- Tornillo autorroscante (M4 x 20)4
- Llave hexagonal (grande/pequeña) 1 JUEGO
- Placa del logotipo 1

INST

Debido a produce amplifica razón, el ubicación como po ubicación contacte

1. Extraí la llav (Fig. 1

Tornill

2. Deslic extra • Es m indi



3. Utiliza marq
4. Aseg super perfo
5. Perfor

INSTALACIÓN

Debido a la salida de alta potencia del PDR-V75, se produce un calor considerable cuando el amplificador está en funcionamiento. Por esta razón, el amplificador deberá montarse en una ubicación que permita la libre circulación de aire, como por ejemplo dentro del maletero. Para ubicaciones de instalación alternativas, por favor contacte a su distribuidor de Alpine autorizado.

1. Extraiga los tornillos hexagonales con ayuda de la llave hexagonal suministrada (pequeña). (Fig. 1)

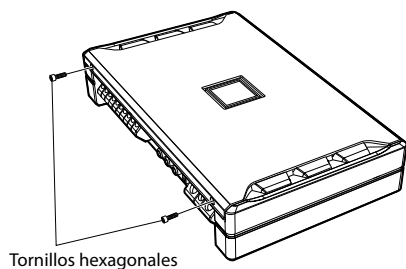


Fig. 1

2. Deslice la tapa superior y levántela para extraerla. (Fig. 2)
 - Es muy importante no dañar la zona del indicador.

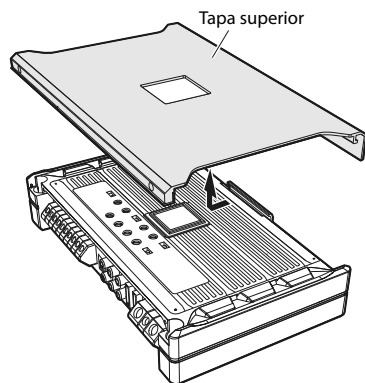


Fig. 2

3. Utilizando el amplificador como plantilla, marque la ubicación de los cuatro tornillos.
4. Asegúrese de que no hay objeto alguno bajo la superficie que pueda verse dañado durante la perforación de los agujeros.
5. Perfore los agujeros para los tornillos.

6. Sitúe el PDR-V75 sobre dichos agujeros, y asegúrelo con cuatro tornillos autorroscantes. (Fig. 3)

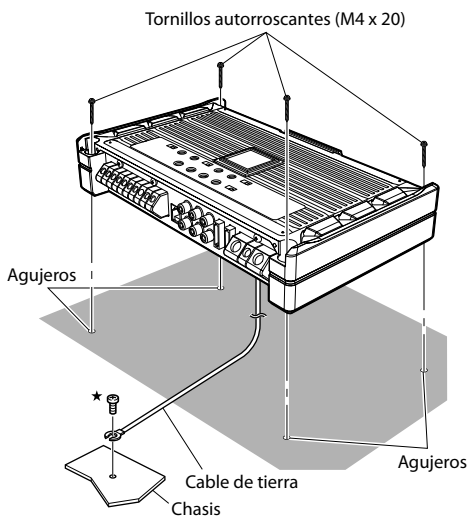


Fig. 3

NOTA:

- Para conectar de forma segura el cable de tierra, utilice un tornillo ya instalado en la parte metálica del vehículo (marcado ★) o en un lugar metálico descubierto del chasis del vehículo. Asegúrese de que es un punto de tierra bueno verificando la continuidad con el terminal de la batería (-). Conecte siempre que sea posible todo el equipo en el mismo punto de tierra reduciendo al máximo la distancia del cableado. Esto ayudará a eliminar el ruido.

EN

FR

ES

COLOCACIÓN DE LA TAPA SUPERIOR Y LA PLACA DEL LOGOTIPO

1. Coloque la tapa superior una vez realizadas las conexiones y tras confirmar que la unidad funciona correctamente.
2. Quite el papel protector de la placa del logotipo y colóquela en esta unidad en la dirección que desee. (Fig. 4)

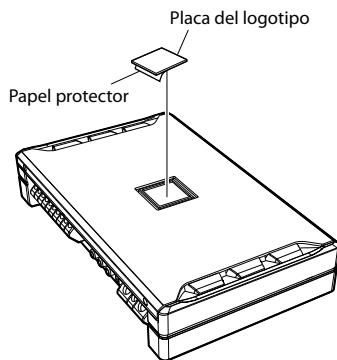


Fig. 4



* No olvidar la batería.

Antes de apagar o desconectar el cable de alimentación del vehículo, asegúrese de que el vehículo esté apagado. No conectar el cable de alimentación del vehículo.

Para evitar daños al sistema

- Coloque la unidad en un lugar seguro.
- Mantenga la batería del vehículo cargada.
- Conecte la unidad al sistema de seguridad del vehículo.

CONEXIONES

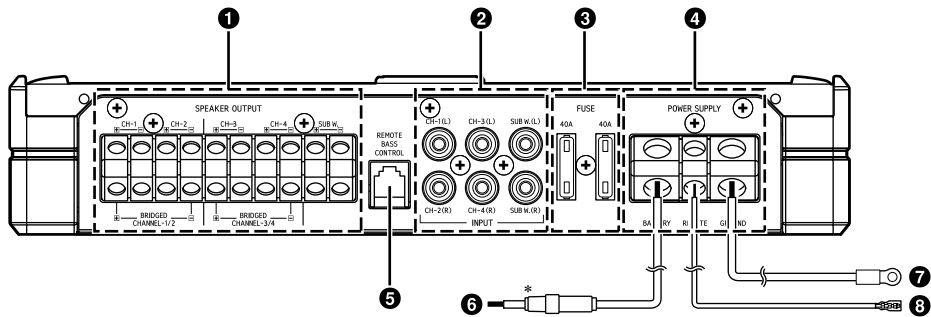


Fig. 5

* No olvide añadir un fusible en línea con el cable de la batería tan cerca como sea posible del terminal positivo (+) de la batería.

Antes de efectuar las conexiones, asegúrese de que apaga todos los componentes audio. Conecte el cable de la batería proveniente del amplificador directamente al terminal positivo (+) de la batería del vehículo (consulte la sección Cable de la batería). No conecte este cable al bloque de fusibles del vehículo.

Para evitar que entre ruido externo en el sistema de audio

- Coloque la unidad y pase los cables a 10 cm por lo menos del conjunto de cables del vehículo.
- Mantenga los conductores de alimentación de la batería lo más alejados posible de otros cables.
- Conecte el conductor de puesta a tierra con seguridad a un punto metálico desnudo (si es necesario, elimine la pintura o la grasa) del chasis del vehículo.
- Si añade un supresor de ruido opcional, conéctelo lo más lejos posible de la unidad. Su proveedor Alpine dispone de varios supresores de ruido. Solicítele más información.
- Su proveedor Alpine conoce la mejor forma de evitar el ruido. Solicítele más información.

1 Terminales de salida del altavoz

- Los terminales de salida de altavoz de esta unidad son terminales de inserción. Asegúrese de observar las conexiones correctas de salida del altavoz y la puesta en fase en relación con los otros altavoces del sistema. Conecte la salida positiva al terminal del altavoz positivo y la negativa al negativo.

Acerca de los terminales de entrada/salida del altavoz de frecuencias ultrabajas

- La entrada es estéreo pero la salida es monoaural.
- Invertir la polaridad del subwoofer puede ser deseable en determinadas instalaciones para lograr un mejor rendimiento de graves.

Acerca de las conexiones puenteadas

En el modo de puente, conecte la salida izquierda positiva al terminal positivo del altavoz y la salida derecha negativa al terminal negativo del altavoz. No utilice los terminales de altavoz (-) conjuntamente entre los canales derecho e izquierdo.

En caso de conexión derivada de las salidas, use un adaptador Y (se vende por separado) para la entrada. (Consulte la sección "CONEXIONES PUENTEADAS", página 13.)

NOTA:

- No conecte el terminal del altavoz (-) al chasis del vehículo.

2 Clavijas RCA de entrada

Conecte las mismas a los cables de salida de línea de su unidad principal utilizando cables de extensión RCA (vendidos por separado). Asegúrese de que respeta las conexiones de canal correctas; izquierda para izquierda y derecha para derecha.

3 Fusible

PDR-V7540 A x 2

UTILICE EL AMPERAJE CORRECTO CUANDO CAMBIE FUSIBLES.

De lo contrario, puede producirse un incendio o una descarga eléctrica.

4 Terminal de suministro de energía

5 Control remoto de graves (opcional)

Conecte la unidad de control remoto de graves (se vende por separado) para ajustar el nivel de salida remotamente. Esto no sustituye el ajuste de nivel de ganancia adecuado entre el amplificador y la unidad principal.

6 Cable de la batería (vendido por separado)

No olvide añadir un fusible en línea con el cable de la batería tan cerca como sea posible del terminal positivo (+) de la batería. Este fusible protegerá el sistema eléctrico de su vehículo en caso de que se produzca un cortocircuito. A continuación puede consultar los requisitos de tamaño máximo y mínimo de los cables del fusible:

PDR-V75 Fusible de 80 amp, 4 AWG/21 mm²

7 Cable de tierra (vendido por separado)

Conecte este cable con seguridad en un punto metálico expuesto, limpio, en el chasis del vehículo. Verifique que este punto es un verdadero punto de puesta a tierra comprobando si existe continuidad entre este punto y el terminal negativo (-) de la batería del vehículo. Conecte a tierra todos sus componentes de audio en el mismo punto del chasis para prevenir bucles en la conexión a tierra y reduzca al máximo la longitud del cableado.

El tamaño de cable mínimo necesario para esta conexión es:

PDR-V754 AWG/21 mm²

8 Cable para encendido remoto (vendido por separado)

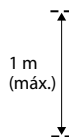
Conecte este cable al cable para encendido remoto (disparador positivo, (+) 12V solamente) de su unidad principal. Si no hay ningún cable para encendido remoto disponible, consulte la sección "LISTA DE COMPROBACIÓN DE CONEXIONES" en la página 8 para ver otros métodos alternativos.

NOTA:

- Cuando se conectan los cables de salida de altavoz de la unidad principal a esta unidad con un cable prolongador RCA (se vende por separado), etc., no es necesario conectar el cable para encendido remoto gracias a la función "SENSOR REMOTO" de esta unidad. No obstante, la función "SENSOR REMOTO" podría no funcionar según la fuente de la señal conectada. En ese caso, conecte el cable para encendido remoto a un cable de alimentación entrante (alimentación adicional) en la posición ACC.



Acerca de
Si la long
alimenta
amplifica
distribuc
son las l
conexión
batería y
necesari



Bloque
distribui

* Conecte
mismo p
del cable

No olvide
específic
alimenta
la batería

Precauc
Si utiliza
fuente d
suminist
Asegúrese
conexión
describe
forma de
distribui

1. Comp
• Tam
- Ca
tie

PRUDENCIA

Acerca de los cables de la fuente de energía

Si la longitud de los cables de tierra y de alimentación supera 1 m, o si conecta más de un amplificador, deberá utilizar un bloque de distribución. Consulte más abajo para saber cuáles son las longitudes de cable recomendadas para la conexión del bloque de distribución entre la batería y tierra (depende de la longitud de cable necesaria): 2 AWG (33 mm²) o 1/0 AWG (53 mm²)

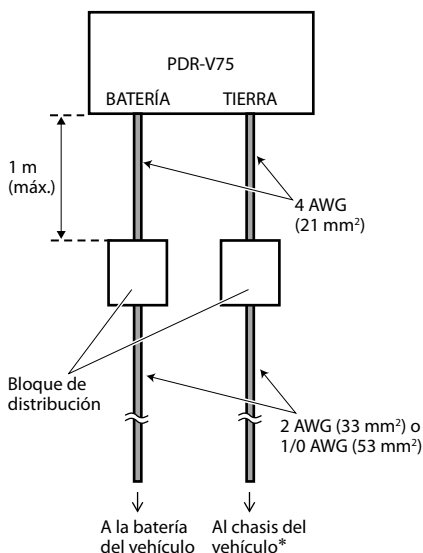


Fig. 6

* Conecte siempre que sea posible todo el equipo en el mismo punto de tierra reduciendo al máximo la distancia del cableado.

No olvide instalar un fusible en línea de las especificaciones adecuadas en el cable de alimentación situado junto al terminal positivo de la batería.

Precauciones durante la conexión de alambres

Si utiliza cables de otros fabricantes (cable de fuente de alimentación), utilice los tornillos suministrados para simplificar la conexión. Asegúrese de efectuar correctamente las conexiones siguiendo el procedimiento que se describe a continuación. Si tiene dudas sobre la forma de hacer las conexiones, consulte a su distribuidor.

- Compruebe el tamaño de los alambres.
 - Tamaño de cable requerido
 - Cable de la batería/Cable de tierra4 AWG (21 mm²)

- Cable para encendido remoto12 AWG (3 mm²)
- Cable de salida de altavoz:
 - SUB W 8 AWG (8 mm²)
 - CH-1/2/3/412 AWG (3 mm²)
- Si no conoce el tamaño del alambre empleado, consulte a su distribuidor.

- Quite aproximadamente 7 – 10 mm de aislación de los extremos de los alambres. (Fig. 7)

Extremo del conductor del producto

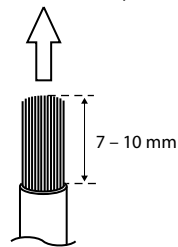


Fig. 7

NOTAS:

- Si el largo de los conductores sin aislación es demasiado corto, las conexiones podrán quedar mal hechas, lo que a su vez podrá causar fallas de operación o interrupciones en el sonido.
- Por otro lado, si los conductores sin aislación son demasiado largos, podrán producirse cortocircuitos eléctricos.

- Apriete el tornillo colocado con la llave hexagonal (incluida) para fijar el cable. (Fig. 8)

Antes de hacer esta conexión, use un manguito aislante contraíble para cubrir los cables expuestos que sobresalen del terminal.

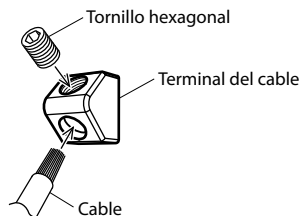


Fig. 8

NOTAS:

- Use sólo los tornillos incluidos.
- Por razones de seguridad, conecte los cables de a batería al final.
- Para evitar la desconexión de los alambres o la caída de la unidad, asegúrese de no coger los alambres para transportar la unidad.

LISTA DE COMPROBACIÓN DE CONEXIONES

Por favor compruebe el estado de su unidad principal según las condiciones listadas a continuación: (Fig. 9)

Cable para encendido remoto

- La unidad principal no tiene un cable de encendido remoto o de antena eléctrica.
- El cable de antena eléctrica de la unidad principal solamente está activado cuando la radio está encendida (desactivado en el modo de cinta o de CD).
- El cable de antena eléctrica de la unidad principal es una salida de nivel lógico (+) de 5V, disparador negativo (tipo de tierra), o no puede soportar (+) 12V cuando es conectado a otro equipo además de la antena eléctrica del vehículo.

Si se observa una de las condiciones anteriores, el cable de encendido remoto de su PDR-V75 se deberá conectar a una fuente de alimentación mediante interruptor (ignición) en el vehículo. Asegúrese de utilizar un fusible de 3A tan cerca como sea posible de esta llave de ignición. Empleando este método de conexión, el PDR-V75 se encenderá y permanecerá encendido mientras el interruptor de ignición esté activado.

Si existen objeciones a esta alternativa, en adición al fusible de 3 A mencionado antes, se puede instalar en línea un interruptor SPST (polo simple, tiro simple) en el cable de encendido del PDR-V75. Este interruptor se utilizará entonces para encender (y apagar) el PDR-V75. Por lo tanto, el interruptor se deberá montar de forma tal que resulte accesible para el conductor. Asegúrese de que el interruptor esté apagado cuando el vehículo no esté en marcha. De lo contrario, el amplificador permanecerá encendido y agotará la batería.

- 1 Azul/Blanco
- 2 Antena eléctrica
- 3 Cable para encendido remoto
- 4 A los cables para encendido remoto de otros componentes Alpine
- 5 Interruptor SPST (opcional)
- 6 Fusible (3A)
- 7 Tan cerca como sea posible del contacto de encendido del vehículo
- 8 Fuente de encendido

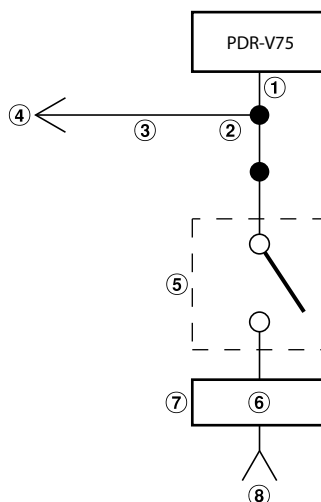
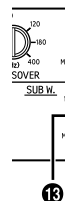
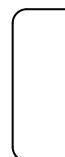


Fig. 9

AJU INT

NOTA:

- Antes de apagar el interruptor...



9 Interr divis



AJUSTES DEL INTERRUPTOR

NOTA:

- Antes de cambiar cada interruptor de selector, apague la unidad e introduzca un pequeño destornillador o similar perpendicularmente al interruptor.

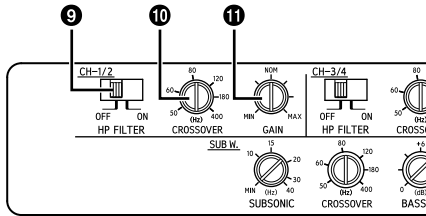


Fig. 9

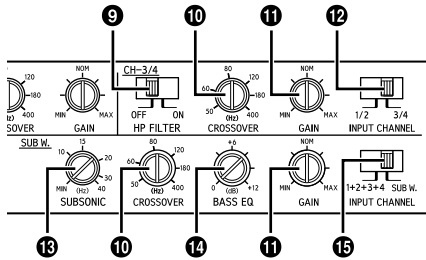


Fig. 10

9 Interruptor de selector de modo del filtro divisor (de frecuencia)



- a) Ajuste este interruptor en la posición "OFF" cuando vaya a utilizar el amplificador con altavoces de rango completo o cuando use crossover electrónico externo. Todo el ancho de banda de la frecuencia se emitirá por los altavoces sin atenuación de frecuencias altas o bajas.



- b) Fíjelo en la posición "ON" cuando se utilice el amplificador para excitar el sistema de altavoz de agudos/tonos medios. Las frecuencias bajo el punto de cruce se cortarán (a razón de 12 dB por octava).

NOTA:

- En este caso, se reduce el nivel máximo de potencia Bass EQ.

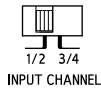
10 Botón de ajuste de frecuencia del filtro divisor (de frecuencias)

Utilice este control para ajustar la frecuencia de crossover entre 50 y 400 Hz.

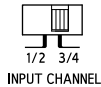
11 Control de ajuste de ganancia de entrada

Ajuste la ganancia de entrada del PDR-V75 a su posición mínima. Utilizando un CD dinámico como fuente, aumente el volumen de la unidad principal hasta que haya distorsión del sonido de salida. Después, reduzca de un paso el volumen (o hasta que la salida no salga distorsionada). Entonces, aumente la ganancia del amplificador hasta que el sonido de los altavoces salga distorsionado. Reduzca poco a poco la ganancia hasta que el sonido no salga distorsionado para obtener un ajuste de ganancia óptimo.

12 Interruptor de selector de canal de entrada



- a) Este ajuste de cambio sirve para seleccionar el modo de entrada de 2 canales o de 4 canales. Si se ajusta en "1/2", la señal se copia desde CH-1/2 y se envía a CH-3/4, eliminando la necesidad de adaptadores y.



- b) Si ajusta este interruptor en "3/4" se conservarán ambas entradas, CH-1/2 y CH-3/4, de forma independiente. Se requiere una fuente de 4 canales para este modo.

13 Filtro subsónico

El filtro subsónico sirve para cortar las frecuencias ultrabajas de la señal de entrada antes de amplificarla.

Se recomienda por diversos motivos:

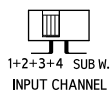
- Para proteger los altavoces demasiado pequeños o incapaces de reproducir frecuencias ultrabajas.
- Para reducir el consumo malgastado de la reproducción de sonido inaudible.
- Para proteger los subwoofers en ubicaciones ventiladas de la excursión por debajo de la frecuencia de sintonización.

EN
FR
ES

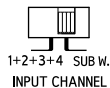
14 Botón de ajuste del Bass EQ

Añada un aumento de graves de 50 Hz hasta +12 dB para ajustar la respuesta de los graves.

15 Interruptor de selector de canal de entrada (SUB W.)



a) Cuando este interruptor está en la posición "1+2+3+4", todas las señales se combinan y salen de SUB W. Este ajuste proporciona señal al canal del subwoofer solamente si hay disponible entrada de 4 canales.



b) Si ajusta este interruptor en la posición "SUB W." enviará la señal a las entradas de SUB W.(L/R) en SUB W. del PDR-V75.

Acerca del Indicador de alimentación



Fig. 11

Encendido cuando el aparato está en marcha.

Apagado cuando el aparato está apagado.

Color de la indicación	Estado	Solución
Azul	El circuito del amplificador es normal.	
Rojo (parpadeo)	La temperatura de funcionamiento es elevada.	Disminuya la temperatura interior del vehículo hasta conseguir un nivel normal. El indicador de color cambiará a azul.
Rojo	El circuito del amplificador es anormal. Se ha producido un cortocircuito eléctrico o la corriente de alimentación es demasiado elevada.	Apague la fuente de alimentación y elimine el motivo. Después, vuelva a encender la unidad y verifique el color del indicador ha cambiado a azul. Si sigue rojo, apague la unidad y póngase en contacto con su distribuidor.
	La temperatura de funcionamiento es demasiado elevada.	Disminuya la temperatura interior del vehículo hasta conseguir un nivel normal. El indicador de color cambiará a azul.
	El voltaje de la fuente de alimentación es demasiado elevado.	Utilice el voltaje correcto de la fuente de alimentación. El indicador de color cambiará a azul.

DIAGRAMAS DEL SISTEMA

- 16 Altavoz de frecuencias ultrabajas
- 17 Altavoces delanteros
- 18 Altavoces traseros
- 19 Unidad principal, etc.
- 20 Salida delantera
- 21 Salida trasera
- 22 Salida del subwoofer
- 23 Cable de extensión RCA (vendido por separado)
- 24 Adaptador en forma de "Y" (vendido por separado)

CONEXIONES TÍPICAS DEL SISTEMA

Sistema de 4 altavoces + 1 altavoz de frecuencias ultrabajas (entrada de 5 canales)

■ Ajuste del interruptor de selector de canal de entrada

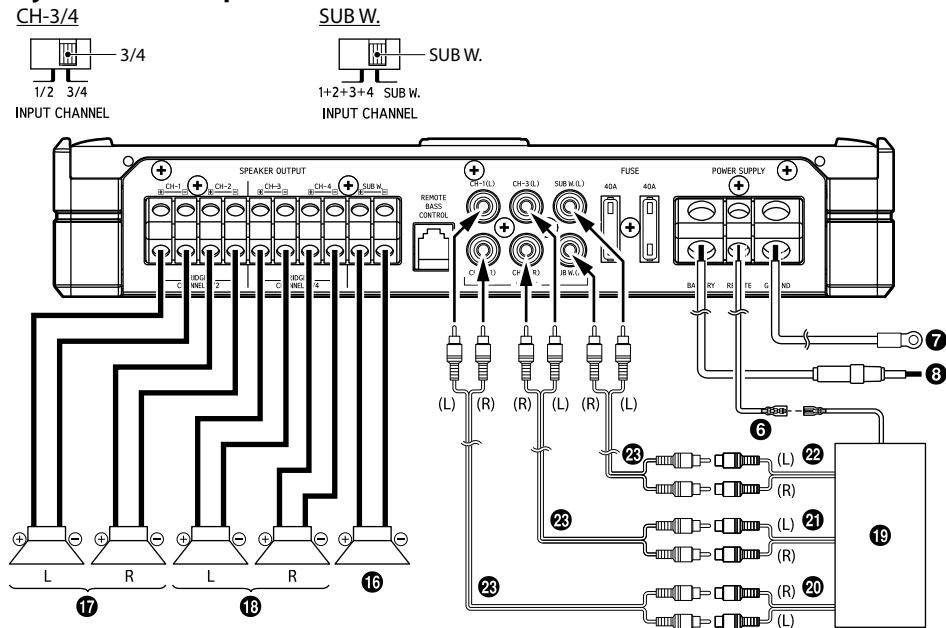
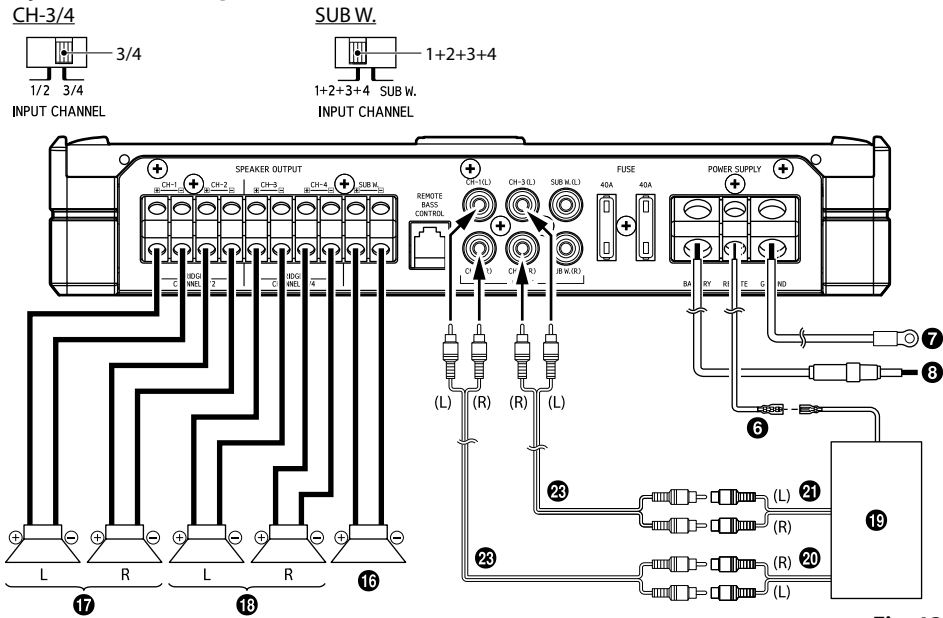


Fig. 12

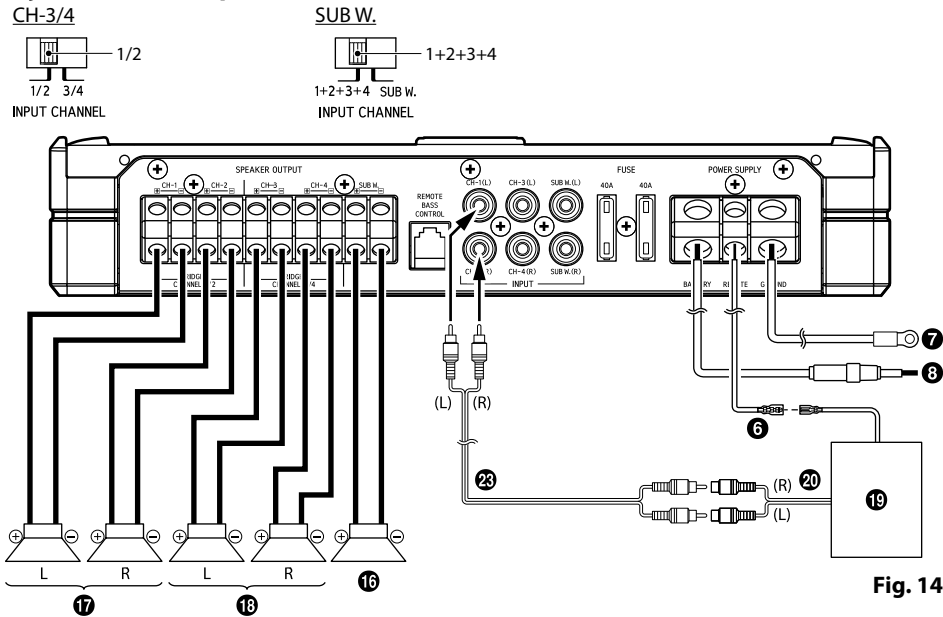
Sistema de 4 altavoces + 1 altavoz de frecuencias ultrabajas (entrada de 4 canales)

■ Ajuste del interruptor de selector de canal de entrada



Sistema de 4 altavoces + 1 altavoz de frecuencias ultrabajas (entrada de 2 canales)

■ Ajuste del interruptor de selector de canal de entrada



CONEXIONES PUENTEADAS

Sistema de 2 altavoces + 1 altavoz de frecuencias ultrabajas

■ Ajuste del interruptor de selector de canal de entrada

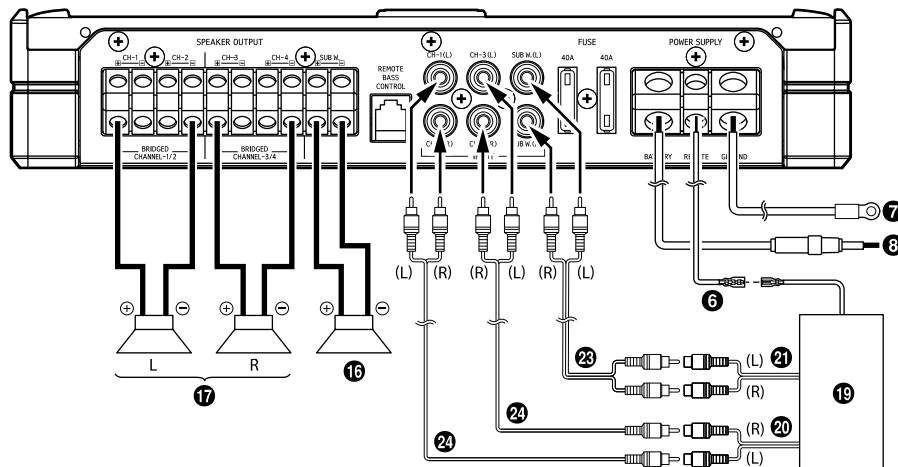
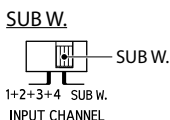
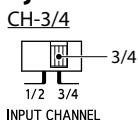


Fig. 15

Consejos importantes cuando conecte en puente un amplificador

NOTA:

- Se obtendrán salidas bajas si sólo se utiliza una entrada de canal. El adaptador-Y no es necesario si se utiliza una pareja de salida en línea estéreo/mono para conducir ambas entradas del amplificador puenteado.

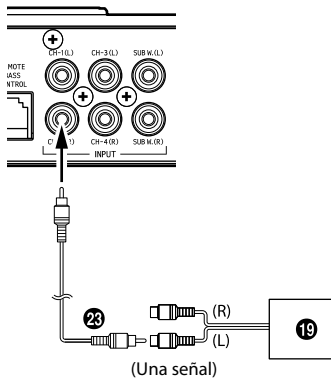
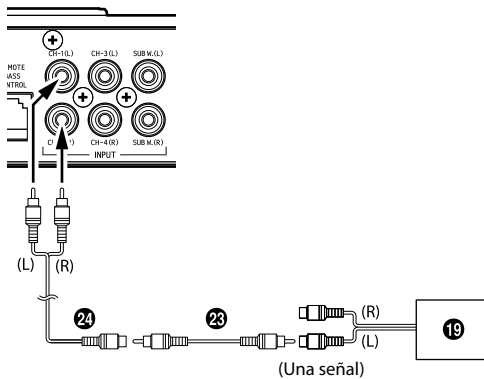


Fig. 16

ESPECIFICACIONES

		PDR-V75	
		CH-1/2/3/4	SUB W.
Rendimiento			
Salida de alimentación	Por canal, Ref.: 4 Ω , 14,4 V	75 W RMS x 4	250 W RMS x 1
	Por canal, Ref.: 2 Ω , 14,4 V	100 W RMS x 4	350 W RMS x 1
	Ponteado, Ref.: 4 Ω , 14,4 V	200 W RMS x 2	-
THD+N	Ref.: 10 W en 4 Ω	$\leq 0,02\%$	$\leq 0,02\%$
	Ref.: 10 W en 2 Ω	$\leq 0,03\%$	$\leq 0,03\%$
	Ref.: potencia nominal en 4 Ω	$\leq 0,07\%$	$\leq 0,07\%$
	Ref.: potencia nominal en 2 Ω	$\leq 0,09\%$	$\leq 0,09\%$
Relación S/R	IHF A ponderada + AES-17 Ref.: 1 W en 4 Ω	>87 dB	>87 dB
	IHF A ponderada + AES-17 Ref.: potencia nominal en 4 Ω	>105 dB	>110 dB
Respuesta de frecuencia	+0/-3 dB, Ref.: 1 W en 4 Ω	8 Hz - 45 kHz	8 Hz - 400 Hz
	+0/-1 dB, Ref.: 1 W en 4 Ω	10 Hz - 30 kHz	10 Hz - 300 Hz
Factor de atenuación	Ref.: 10 W en 4 Ω a 100 Hz	>500	>1.000
Control			
Selección de entrada	Configuración de señal de entrada seleccionable (entrada 2ch/4ch/6ch)	CH-3/4: CH-1/2 o CH-3/4	CH-1+2+3+4 o SUB W.
Sensibilidad de entrada	Entrada RCA Ref.: potencia nominal en 4 Ω	0,2 - 4,0 V	0,1 - 4,0 V
Crossover	HPF/LPF variable	50 Hz - 400 Hz (-12 dB/oct.)	LPF: 50 Hz - 400 Hz (-24 dB/oct.)
	Filtro subsónico variable	-	8 Hz - 40 Hz (-24 dB/oct.)
Ecuador	Bass EQ (fc=50 Hz)	-	0 a +12 dB (Variable)
Nivel remoto*	Atenuación lineal * Requiere RUX-KNOB opcional	-	0 a -20 dB
General			
Impedancia de entrada		>10 k Ω	
Dimensiones	Ancho	270 mm	
	Altura	50,8 mm	
	Profundidad	165 mm	
Peso		2,76 kg	

NOTA:

- Las especificaciones y el diseño del producto están sujetos a cambios sin previo aviso.

Free Manuals Download Website

<http://myh66.com>

<http://usermanuals.us>

<http://www.somanuals.com>

<http://www.4manuals.cc>

<http://www.manual-lib.com>

<http://www.404manual.com>

<http://www.luxmanual.com>

<http://aubethermostatmanual.com>

Golf course search by state

<http://golfingnear.com>

Email search by domain

<http://emailbydomain.com>

Auto manuals search

<http://auto.somanuals.com>

TV manuals search

<http://tv.somanuals.com>