



RUE-4190

Universal Remote Controller

Owner's Manual

WARNING

This symbol means important instructions. Failure to heed them can result in serious injury or death.

DO NOT DISASSEMBLE OR ALTER.

Doing so may result in an accident, fire or electric shock.

KEEP SMALL OBJECTS SUCH AS BATTERIES OUT OF THE REACH OF CHILDREN.

Swallowing them may result in serious injury. If swallowed, consult a physician immediately.

DO NOT OPERATE ANY FUNCTION THAT TAKES YOUR ATTENTION AWAY FROM SAFELY DRIVING YOUR VEHICLE.

Any function that requires your prolonged attention should only be performed after coming to a complete stop. Always stop the vehicle in a safe location before performing these functions. Failure to do so may result in an accident.

KEEP THE VOLUME AT A LEVEL WHERE YOU CAN STILL HEAR OUTSIDE NOISE WHILE DRIVING.

Failure to do so may result in an accident.

CAUTION

This symbol means important instructions. Failure to heed them can result in injury or material property damage.

DO NOT MIX NEW BATTERIES WITH OLD BATTERIES. INSERT WITH THE CORRECT BATTERY POLARITY.

When inserting the batteries, be sure to observe proper polarity (+ and -) as instructed. Rupture or chemical leakage from the battery may cause fire or personal injury.

Handling Precautions

Do not drop or apply shock to the unit. It may get permanently damaged.

Keep the unit away from water and moisture, direct sun and heat, and excessive dust.

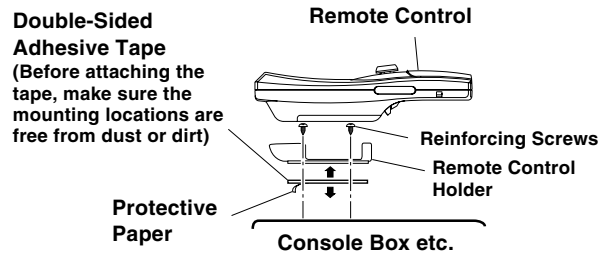
Never use scouring pads, steel wool, abrasive powders or harsh chemical agents, such as lye solution, for cleaning.

Clean with a soft, lint-free cloth or cotton swab slightly dampened with a mild solution of detergent and water.

Do not operate this unit in a manner that could distract you from driving safely.

Installation of Remote Control Holder

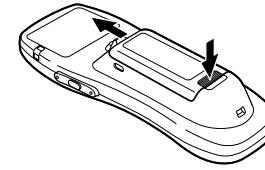
- Do not leave the remote control mounted on the holder, if it is direct sunlight. Remove the remote control from the holder and put it in the glove compartment.
- If double-sided adhesive tape cannot install the holder securely, use screws.



Battery Replacement

Applicable battery: Use two "AAA" sized dry batteries or equivalent.

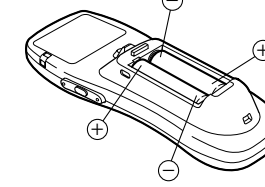
1



Opening the battery cover.

Push on the cover and slide it as indicated by the arrows then the cover will be removed.

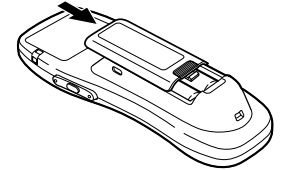
2



Replacing the batteries.

Remove the old batteries. Insert new ones matching the (+) and (-) polarities as shown in the diagram inside the remote control.

3



Closing the cover.

Push the cover in the arrow direction until a click is heard.

In Case of Difficulty

Problem	Cause	Solution
Remote Control Inoperative.	Reverse placement of battery.	Place the battery correctly into its cradle in the compartment.
	Dead battery.	Replace the battery with a new one.
	Remote Control not pointed toward the head unit or monitor.	Point the remote control directly toward your head unit or monitor.

Specifications

Battery Type AAA size batteries
 Battery Quantity 2
 Dimensions (W x H x D) 56 x 142.5 x 37 mm
 (2-1/4" x 5-5/8" x 1-7/16")
 Weight (without battery) 72 gr (2.6 oz)

Accessories

Battery (AAA) 2
 Remote Control Holder 1 set
 Double-Sided Adhesive Tape 1 set
 Screw 2



ALPINE ELECTRONICS, INC.
 Tokyo office: 1-1-8 Nishi Gotanda,
 Shinagawa-ku, Tokyo 141-8501, Japan
 Tel.: (03) 3494-1101

ALPINE ELECTRONICS OF AMERICA, INC.
 19145 Gramercy Place, Torrance,
 California 90501, U.S.A.
 Tel.: 1-800-ALPINE-1 (1-800-257-4631)

ALPINE ELECTRONICS OF CANADA, INC.
 7300 Warden Ave., Suite 203, Markham,
 Ontario L3R 9Z6, Canada
 Tel.: 1-800-ALPINE-1 (1-800-257-4631)

ALPINE ELECTRONICS OF AUSTRALIA PTY. LTD.
 6-8 Fiveways Boulevard Keysborough,
 Victoria 3173, Australia
 Tel.: (03) 9769-0000

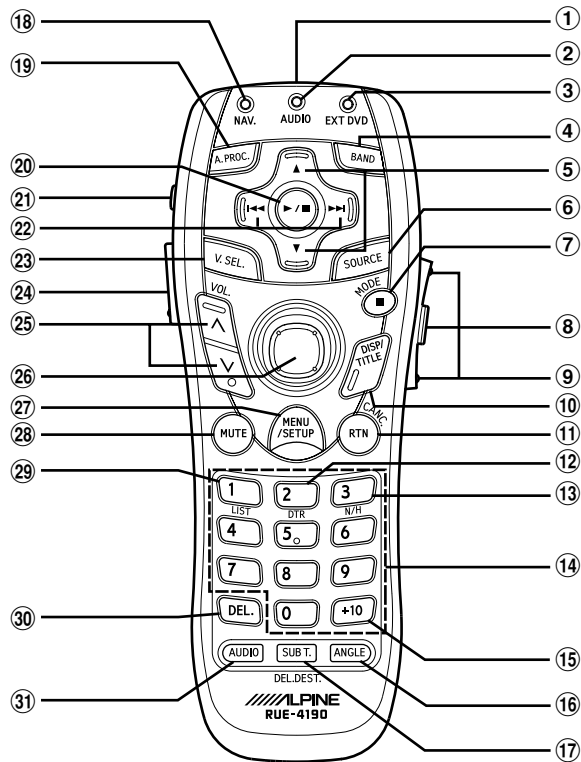
ALPINE ELECTRONICS GmbH
 Kreuzerkamp 7, 40878 Ratingen, Germany
 Tel.: 02102-45 50

ALPINE ITALIA S.p.A.
 Viale C. Colombo 8, 20090 Trezzano Sul
 Naviglio (MI), Italy
 Tel.: 02-48 47 81

ALPINE ELECTRONICS FRANCE S.A.R.L.
 98, Rue de la Belle Etoile, Z.I. Paris Nord II,
 B.P. 50016 95945 Roissy
 Charles de Gaulle Cedex, France
 Tel.: 01-48 63 89 89

ALPINE ELECTRONICS OF U.K., LTD.
 13 Tanners Drive, Blakelands,
 Milton Keynes MK14 5BU, U.K.
 Tel.: 01908-61 15 56

ALPINE ELECTRONICS DE ESPAÑA, S.A.
 Portal de Gamarra 36, Pabellón 32
 01013 Vitoria (Alava)-APDO 133, Spain
 Tel.: 945-283588



Map type Navigation Control Mode

When operating the navigation, set the EXT DVD/AUDIO/NAV. Switch to the "NAV." side.

- ① Remote Control Transmitter
- ② —
- ③ —
- ④ —
- ⑤ —
- ⑥ —
- ⑦ MODE button
- ⑧ VOICE button
- ⑨ Zoom (Wide/Detail) button
- ⑩ DISP (MP/RG) button
- ⑪ C.ANC. button
- ⑫ DTR button
- ⑬ N/H button
- ⑭ Numeric Keypad
- ⑮ OK button
- ⑯ —
- ⑰ DEL. DEST. button
- ⑱ Status indicator for NAV. mode
- ⑲ —
- ⑳ —
- ㉑ Power ON/OFF button
- ㉒ —
- ㉓ —
- ㉔ LIGHT button for Remote Controller
- ㉕ —
- ㉖ Joystick/ENTER button
- ㉗ MENU button
- ㉘ —
- ㉙ LIST button
- ㉚ DEL. button
- ㉛ —
- ㉜ EXT DVD/AUDIO/NAV. Switch TV/MONI. button (Push)

Notes:

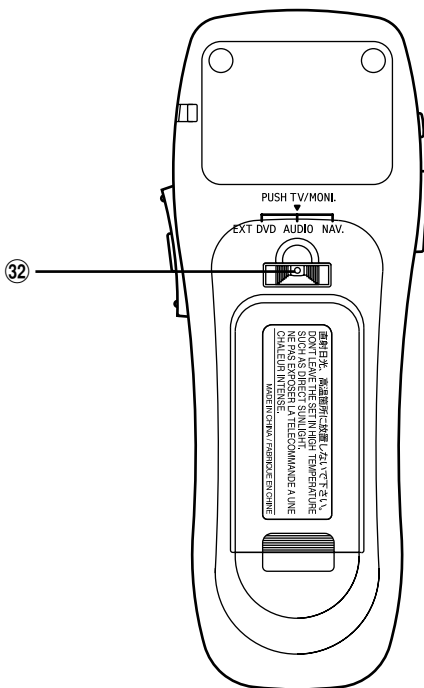
- Depending on the unit, some operations cannot be performed. For details, see the Owner's Manual for the unit.
- After pressing the MODE button, press the following buttons while the status indicator is blinking:
Numeric Keypad (0 to 9), DEL. button, OK button

Head Unit Control Mode

When operating the Head Unit, set the EXT DVD/AUDIO/NAV. Switch to the "AUDIO" side.

- ① Remote Control Transmitter
- ② Status indicator for AUDIO mode
- ③ —
- ④ BAND button
- ⑤ Radio mode: Preset Selection
Changer mode: Disc Selection
MP3 mode: Folder Select
Tape mode: Program Sensor
- ⑥ SOURCE button
- ⑦ —
- ⑧ —
- ⑨ Display Angle UP/DOWN button
- ⑩ —
- ⑪ —
- ⑫ —
- ⑬ —
- ⑭ —
- ⑮ —
- ⑯ —
- ⑰ —
- ⑱ A.PROC. button
- ⑳ PLAY/PAUSE button
- ㉑ Power ON/OFF button
- ㉒ Radio mode: SEEK UP/DOWN
CD/MD/Changer mode: Music Sensor
BW/FF (press and hold)
- ㉓ Tape mode: REW/FF
- ㉔ —
- ㉕ LIGHT button for Remote Controller
- ㉖ VOLUME UP/DOWN button
- ㉗ —
- ㉘ —
- ㉙ MUTE button
- ㉚ —
- ㉛ —
- ㉜ —
- ㉝ EXT DVD/AUDIO/NAV. Switch TV/MONI. button (Push)

Note: Depending on the unit, some operations cannot be performed. For details, see the Owner's Manual for the unit.



AV Head Unit Control Mode

When operating the AV Head Unit, set the EXT DVD/AUDIO/NAV. Switch to the "AUDIO" side.

- ① Remote Control Transmitter
- ② Status indicator for AUDIO mode
- ③ —
- ④ BAND button
- ⑤ Radio mode: Preset Selection
Changer mode: Disc Selection
- ⑥ SOURCE button
- ⑦ —
- ⑧ —
- ⑨ Display Angle UP/DOWN button
- ⑩ —
- ⑪ —
- ⑫ —
- ⑬ —
- ⑭ Function button (1 to 7)
- ⑮ —
- ⑯ —
- ⑰ —
- ⑱ —
- ⑲ A.PROC. button
- ⑳ Audio mode Selection (VOL./BASS/TRE/BAL/FAD)
- ㉑ Power ON/OFF button
- ㉒ Radio mode: SEEK UP/DOWN
Changer mode: Music Sensor
BW/FF (press and hold)
- ㉓ V.SEL. button
- ㉔ LIGHT button for Remote Controller
- ㉕ VOLUME UP/DOWN, Audio Adjust button
- ㉖ —
- ㉗ —
- ㉘ MUTE button
- ㉙ —
- ㉚ —
- ㉛ —
- ㉜ EXT DVD/AUDIO/NAV. Switch TV/MONI. button (Push)

Note: Depending on the unit, some operations cannot be performed. For details, see the Owner's Manual for the unit.

DVD Player/DVD Changer Control Mode

When operating the External DVD Player/DVD Changer, set the EXT DVD/AUDIO/NAV. Switch to the "EXT DVD" side.

- ① Remote Control Transmitter
- ② —
- ③ Status indicator for EXT DVD mode
- ④ —
- ⑤ DVD Changer mode: Disc Selection
- ⑥ Audio SOURCE button
(When connected with the Ai-NET Head Unit)
- ⑦ ■ (STOP) button
- ⑧ —
- ⑨ —
- ⑩ Searching by Title/Chapter/elapsed time,
Press and hold for 2 seconds to display the DVD menu/Title menu
- ⑪ RTN (Return) button
- ⑫ —
- ⑬ —
- ⑭ Numeric Keypad
- ⑮ —
- ⑯ ANGLE button
- ⑰ SUB T. (Subtitle) button
Press and hold this for 2 seconds to turn the subtitles ON and OFF
- ⑱ —
- ⑲ A.PROC. button
(When connected with the Digital Audio Processor)
- ⑳ Playback
Press and hold for 2 seconds to playback the slow motion
- ㉑ Power ON/OFF button
- ㉒ Chapters and tracks skip
Press and hold for 2 seconds to BW/FF
- ㉓ —
- ㉔ LIGHT button for Remote Controller
- ㉕ VOLUME UP/DOWN button
(When connected with the Ai-NET Head Unit)
- ㉖ Joystick/ENTER button
- ㉗ MENU button
Press and hold for 2 seconds to display the setup menu
- ㉘ MUTE button (When connected with the Ai-NET Head Unit)
- ㉙ —
- ㉚ —
- ㉛ —
- ㉜ AUDIO button
- ㉝ EXT DVD/AUDIO/NAV. Switch TV/MONI. button (Push)

Note: Depending on the unit, some operations cannot be performed. For details, see the Owner's Manual for the unit.

TV/Monitor Control Mode

When controlling the Monitor, press the EXT DVD/AUDIO/NAV. Switch to activate the TV/MONI. mode.

Check which TV Tuner or Monitor functions corresponds to which buttons on the remote control and attach the appropriate seal (supplied).

Note: Depending on the unit, some operations cannot be performed. For details, see the Owner's Manual for the unit.

Free Manuals Download Website

<http://myh66.com>

<http://usermanuals.us>

<http://www.somanuals.com>

<http://www.4manuals.cc>

<http://www.manual-lib.com>

<http://www.404manual.com>

<http://www.luxmanual.com>

<http://aubethermostatmanual.com>

Golf course search by state

<http://golfingnear.com>

Email search by domain

<http://emailbydomain.com>

Auto manuals search

<http://auto.somanuals.com>

TV manuals search

<http://tv.somanuals.com>